

Silicon PNP Power Transistors

2N6285 2N6286 2N6287

DESCRIPTION

- With TO-3 package
- Complement to type 2N6282/6283/6284
- High DC current gain
- DARLINGTON

APPLICATIONS

- For use in general-purpose amplifier and low-frequency switching applications

PINNING

PIN	DESCRIPTION
1	Base
2	Emitter
3	Collector

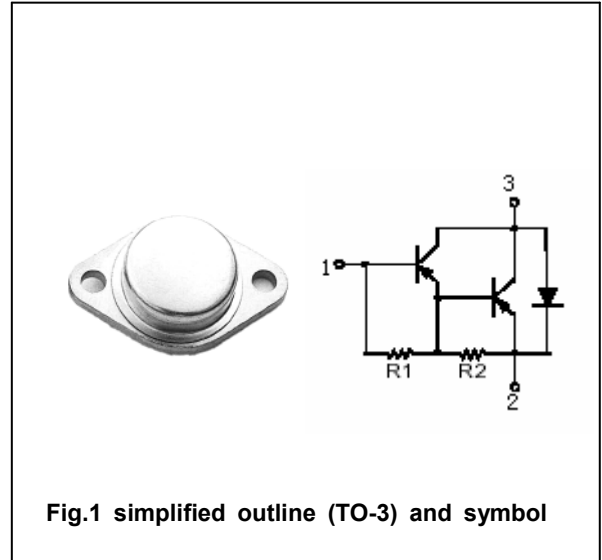


Fig.1 simplified outline (TO-3) and symbol

Absolute maximum ratings($T_a = \square$)

SYMBOL	PARAMETER	CONDITIONS	VALUE	UNIT
V_{CBO}	Collector-base voltage	2N6285	-60	V
		2N6286	-80	
		2N6287	-100	
V_{CEO}	Collector-emitter voltage	2N6285	-60	V
		2N6286	-80	
		2N6287	-100	
V_{EBO}	Emitter-base voltage	Open collector	-5	V
I_C	Collector current		-20	A
I_{CM}	Collector current-peak		-40	A
I_B	Base current		-0.5	A
P_D	Total Power Dissipation	$T_C = 25 \square$	160	W
T_j	Junction temperature		200	\square
T_{stg}	Storage temperature		-65~200	\square

THERMAL CHARACTERISTICS

SYMBOL	PARAMETER	VALUE	UNIT
$R_{th\ j-c}$	Thermal resistance junction to case	1.09	\square/W

Silicon PNP Power Transistors

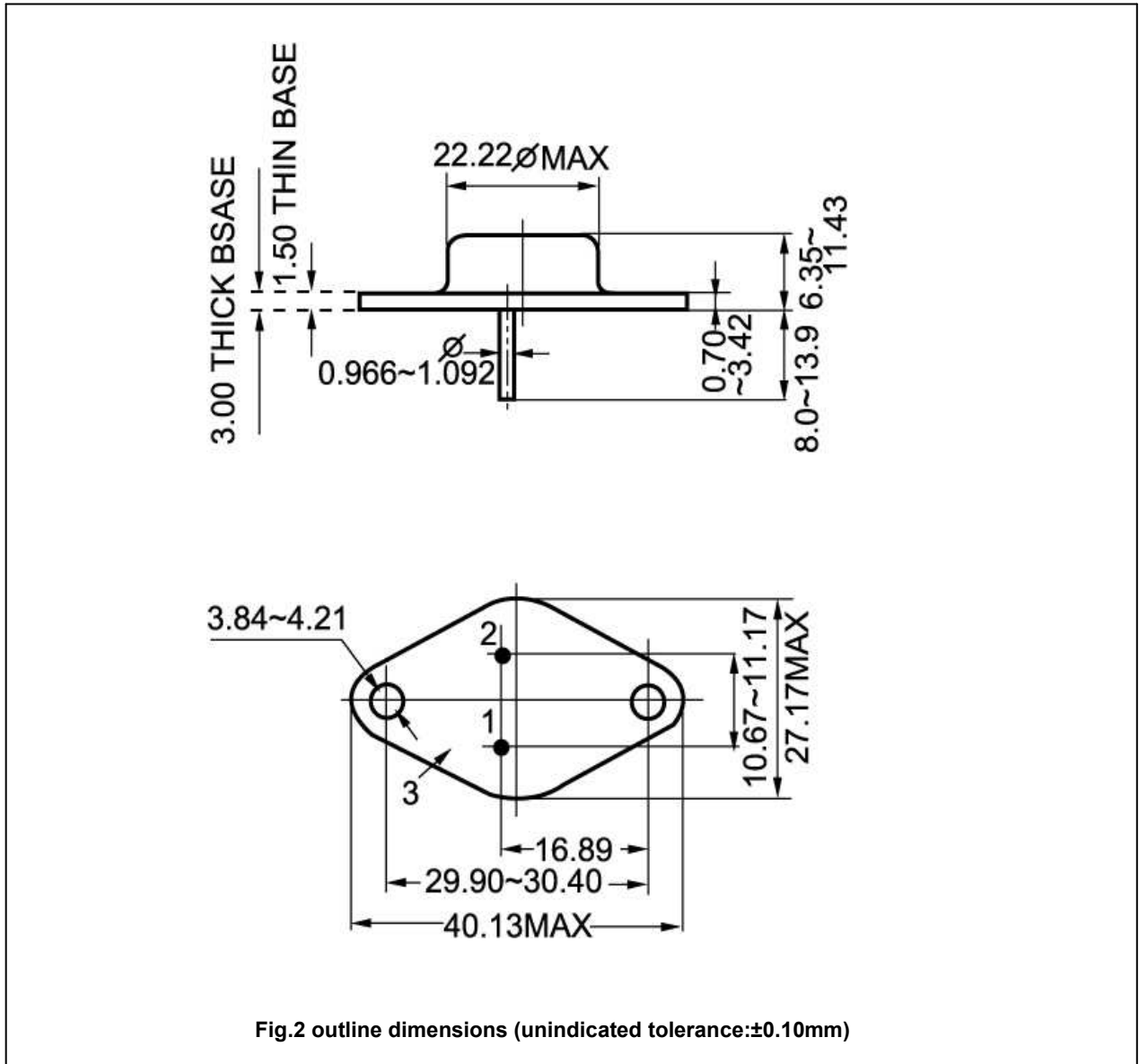
2N6285 2N6286 2N6287

CHARACTERISTICS

T_j=25°C unless otherwise specified

SYMBOL	PARAMETER	CONDITIONS	MIN	TYP.	MAX	UNIT
V _{CEO(SUS)}	Collector-emitter sustaining voltage	2N6285	I _C =-0.2A ; I _B =0			V
		2N6286				
		2N6287				
V _{CEsat-1}	Collector-emitter saturation voltage	I _C =-10A; I _B =-40mA			-2.0	V
V _{CEsat-2}	Collector-emitter saturation voltage	I _C =-20A ; I _B =-200mA			-3.0	V
V _{BEsat}	Base-emitter saturation voltage	I _C =-20A ; I _B =-200mA			-4.0	V
V _{BE}	Base-emitter on voltage	I _C =-10A ; V _{CE} =-3V			-2.8	V
I _{CEO}	Collector cut-off current	2N6285				mA
		2N6286				
		2N6287				
I _{CEX}	Collector cut-off current	2N6285				mA
		2N6286				
		2N6287				
I _{EBO}	Emitter cut-off current	V _{EB} =-5V; I _C =0			-2.0	mA
h _{FE-1}	DC current gain	I _C =-10A ; V _{CE} =-3V	750		18000	
h _{FE-2}	DC current gain	I _C =-20A ; V _{CE} =-3V	100			
C _{OB}	Output capacitance	I _E =0; V _{CB} =-10V; f=1MHz			600	pF

PACKAGE OUTLINE



This datasheet has been downloaded from:

www.DatasheetCatalog.com

Datasheets for electronic components.