

YEONHAB

美軍標26482連接器/航空插頭

3116F 3110F 3111F 3112E 3114E系列

直詢電話(李經理): 13074110970



大連北方三木電力 13074110970 獨家拍攝大連北方三木電力 13074110970

<https://maoyishang.taobao.com>

Accredited by Member of the IAF (IAA for QMS)



Certificate No : KQC-034

CERTIFICATE

Quality Management System

YEONHAB PRECISION CO., LTD.

219-27, Haksusa-gil, Mokcheon-eup, Daejeon-gu, Chungcheongnam-do, Korea

Korea Productivity Center Quality Assurance certifies that the Quality Management System of the above organization has been assessed and found to be in accordance with the requirements of the quality standards and scope of certification detailed below.

Standards

KS Q ISO 9001 : 2015 / ISO 9001 : 2015

Scope of Certification

Design, Development and Production of Inter Communication System, Connector, EM Shielded Cable Harness, Industrial Cable Assemblies, Cable, Auto Accessory/interior for Auto (for Local System), Wiring Harness, Power Supply, Waterproof Terminal Block, Military Field Switch Board & Printed Circuit Board
Production of Electric Power Converter (AC/DC/DC), Undercable Power Supply (AC/DC-DC), Case (SMA/SMC), Synthesizer & Telemetry, Teflon Wire/MEM, MEMS, MEMS-based Automotive Part/Board Terminal

Initial Certification Date : February 03, 1997 Valid Period : January 29, 2018 - January 29, 2021

- This certificate is valid only if the organization meets the requirement continually
- Certification Validity information is available at www.kpqa.or.kr

Date of Issue : January 16, 2018

박해능

Jun-Haeng, Park
Lead Auditor

성인수

In-Seon, Park
CEO

kpc KOREA
PRODUCTIVITY CENTER QUALITY ASSURANCE

127, Floor KCG building 28, Sejong-daero, Jung-gu, Seoul, Korea
www.kpqa.or.kr | Tel:82-2-738-0001

The seal of Accredited Mark KQC indicates Accreditation in respect of those activities covered by the Accreditation Certificate Number KQC-034



CERTIFICATE

UNAVIA
KQC

UNAVIA KQC



Key Number	00434 - N	Issue date	2018.06.22
First issue date	2016-09-27	Renewal date	2018-06-22
Issue date	2018-06-26	Exp. date	EA 21, 19

Certificate of Approval

We certify that Quality Management System of the Organization

YEONHAB PRECISION CO., LTD

Has been audited in accordance with EN 3104:2013 requirements and it is in accordance to the following Quality Management System Standards

prEN 9100:2016, AS9100D, JISQ 9100:2016
ISO 9001:2015

Scope

Design, development and manufacture of connectors, EMI shields, cable harnesses, cable assemblies, insulated cable and Teflon wires for marine, aerospace and military equipment

Chief Operating Officer
Giyoung Park

The monitoring of the certification is subject to annual surveillance and dependent on the observance of the fulfilment contract requirements.
The date of issuance of this certificate is the date of first issue by another certification body.
This certificate is completed in 1 page.

YEONHAB PRECISION CO., LTD

219-27, Haksusa-gil, Mokcheon-eup, Daejeon-gu, Chungcheongnam-do, 31227, Korea



002/19-004

Accredited by Member of the IAF (IAA for EMS)



Certificate No : KQC-035

CERTIFICATE

Environment Management System

YEONHAB PRECISION CO., LTD.

219-27, Haksusa-gil, Mokcheon-eup, Daejeon-gu, Chungcheongnam-do, Korea

Korea Productivity Center Quality Assurance certifies that the Environmental Management System of the above organization has been assessed and found to be in accordance with the requirements of the environmental standards and scope of certification detailed below.

Standards

KS ISO 14001 : 2015 / ISO 14001 : 2015

Scope of Certification

Design, Development and Production of Inter Communication System, Connector, EM Shielded Cable Harness, Industrial Cable Assemblies, Cable, Auto Accessory/interior for Auto (for Local System), Wiring Harness, Power Supply, Waterproof Terminal Block, Military Field Switch Board & Printed Circuit Board
Production of Electric Power Converter (AC/DC/DC), Undercable Power Supply (AC/DC-DC), Case (SMA/SMC), Synthesizer & Telemetry, Teflon Wire/MEM, MEMS, MEMS-based Automotive Part/Board Terminal

Initial Certification Date : June 26, 2005 Valid Period : January 29, 2018 - January 29, 2021

- This certificate is valid only if the organization meets the requirement continually
- Certification Validity information is available at www.kpqa.or.kr

Date of Issue : January 16, 2018

박해능

Jun-Haeng, Park
Lead Auditor

성인수

In-Seon, Park
CEO

kpc KOREA
PRODUCTIVITY CENTER QUALITY ASSURANCE

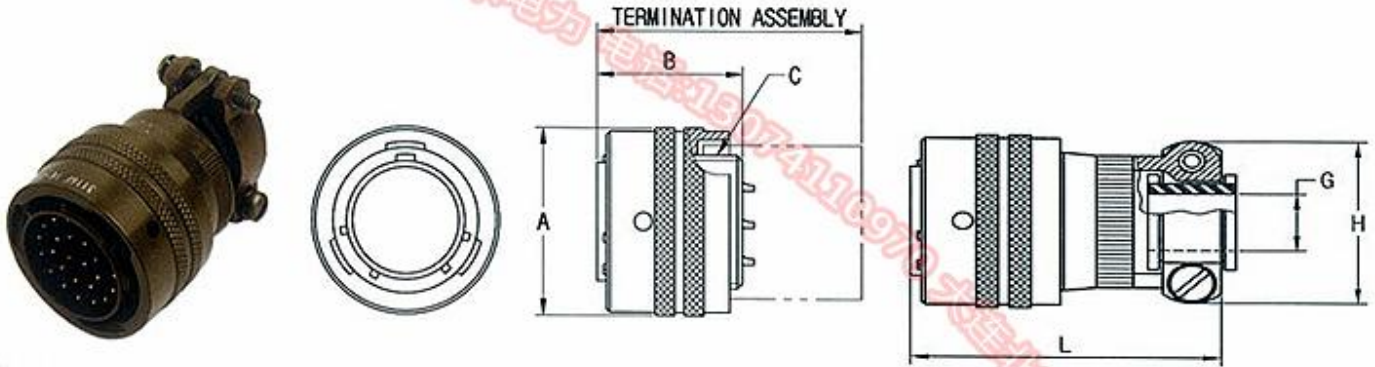
127, Floor KCG building 28, Sejong-daero, Jung-gu, Seoul, Korea
www.kpqa.or.kr | Tel:82-2-738-0001

The seal of Accredited Mark KQC indicates Accreditation in respect of those activities covered by the Accreditation Certificate Number KQC-035





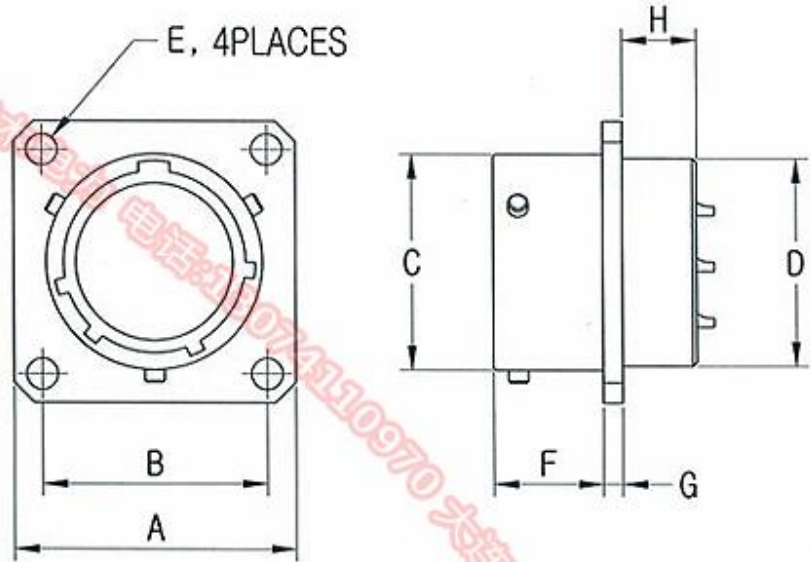
MIL-DTL-26482 Series I Style (Solder Type)



Unit: mm

Shell Size	A Dia. Max.	B Max.	C Thread. (Class: 2A)	L Max.	G Dia. Min.	H Max.
8	19.86	21.0	7/16-28UNEF	48.82	2.92	21.03
10	23.52	21.0	9/16-24UNEF	48.82	4.52	22.63
12	26.49	21.0	11/16-24UNEF	48.82	7.67	25.81
14	30.05	21.0	13/16-20UNEF	48.82	9.27	28.98
16	33.15	21.0	15/16-20UNEF	51.99	12.45	30.56
18	35.33	21.0	1 1/16-18UNEF	52.78	15.62	37.31
20	38.89	25.5	1 3/16-18UNEF	59.54	15.62	37.31
22	42.09	25.5	1 5/16-18UNEF	59.54	18.80	42.06
24	45.13	25.5	1 7/16-18UNEF	61.11	20.07	44.45

MIL-DTL-26482 Series I Style (Solder Type)



Unit: mm

Shell Size	A Max.	B ±0.10	C Dia. +0.00 -0.15	D Dia. Max.	E Dia. ±0.13	F +0.79 -0.00	G ±0.41	H
8	21.03	15.09	12.04	11.91	3.05	10.95	1.57	8.99
10	24.23	18.26	15.01	15.06	3.05	10.95	1.57	8.99
12	26.59	20.62	19.08	18.26	3.05	10.95	1.57	8.99
14	28.98	23.01	22.25	21.41	3.05	10.95	1.57	8.99
16	31.34	24.61	25.43	24.61	3.05	10.95	1.57	8.99
18	33.73	26.97	28.60	27.76	3.05	10.95	1.57	8.99
20	36.91	29.36	31.78	30.96	3.05	14.12	2.39	10.59
22	40.08	31.75	34.95	34.11	3.05	14.12	2.39	10.59

결합안내 (Mating Face View)



전기적 특성 (Electrical Data)

Wire Range Accommodations		Insulation O.D. Limits		Contact Rating			
contact size	AWG wire size	Min	Max	contact size	Rated Amps	Test Current	Millivolt Drop
20	24, 22, 20	1.52	2.11	20	7.5	7.5	55
16	20, 18, 16	1.68	2.77	16	22.0	13.0	49
12	12,14	2.46	3.61	12	23.0	20.0	42

Dielectric Withstanding Voltage

Service Rating	Operating Voltage. Max.		Test Voltage. AC(rms), 60cps			
	AC(rms)	DC	Sea Level	50,000(ft)	70,000(ft)	110,000(ft)
I	600	850	1500	500	375	200
II	1000	1275	2300	750	500	200

사용온도범위 (Operating Temperature Range)	-55°C ~ +125°C
절연저항 (Insulation Resistance)	5000MΩ Min. (at 25°C)
내구성 (Durability)	500 cycle, mate and unmate