

63739B



Product Details

- 100W 550 powerful motor DC 12V high speed 18200 rpm high power

The very violent Johnson 550 high-power motor, its applicable voltage is DC 12V-18V, the speed is 18200 rpm-27200 rpm, the working current reaches 10A, the stall current reaches 80A, and the power is about 100W. It is widely used. , Commonly used in hand drills, electric gardening tools, air compressors, children's electric cars and so on. Also suitable for models powered by modified motors.

Motor weight: 217 grams

Applicable voltage: DC12V-18V

Voltage: DC12V

No-load current: 1.3 A

No-load speed: 18200 RPM

Voltage: DC14.4V

No-load current: 1.35 A

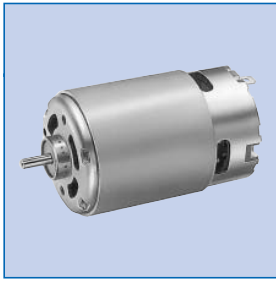
No-load speed: 21800 RPM

Voltage: DC18V

No-load current: 1.8 A

No-load speed: 27200 RPM

Note: This is a 550 motor with high power density. It is normal for it to heat up. Please pay attention to the heat dissipation environment. There are also high-power lithium current power supply for this type of power tool motor. If it is powered by a switching power supply, please Note that the current of the power supply is preferably more than 20 A, the bigger the better, if the current is too small, the power and torque of the motor cannot be exerted, or even cannot be started. Another point, the 550 motor with high power density is not suitable for continuous work for a long time.



RS-550PC/VC

MABUCHI MOTOR

Carbon-brush motors

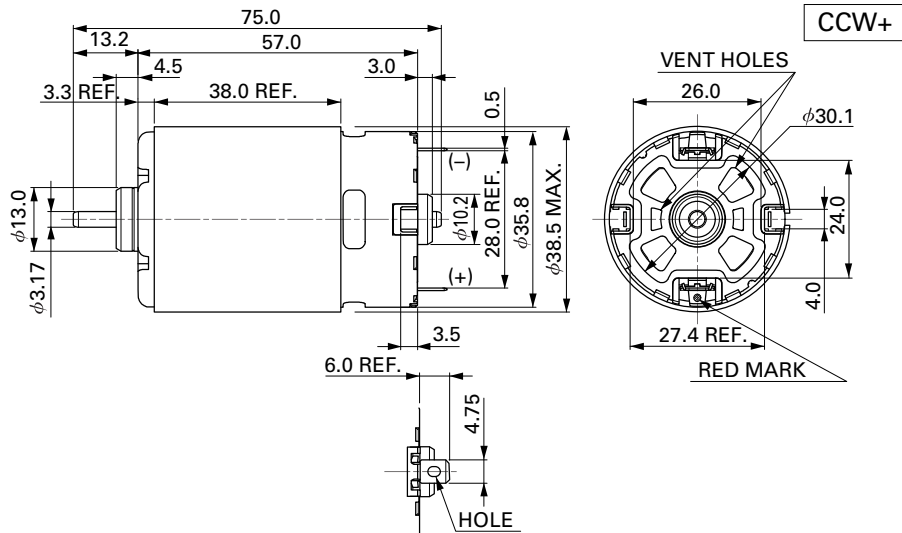
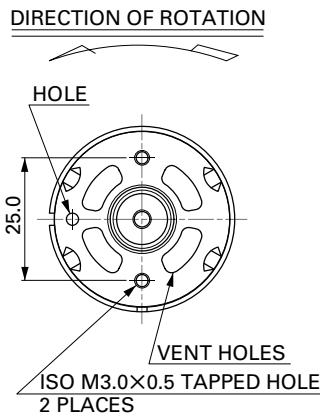
OUTPUT : 5.0W~100W (APPROX)

WEIGHT : 255g (APPROX)

Typical Applications Cordless Power Tools : Drill / Cordless Garden Tool / Air Compressor
Toys and Models : Ride-on Toy

MODEL	OPERATING RANGE	VOLTAGE NOMINAL	NO LOAD		AT MAXIMUM EFFICIENCY				STALL				
			SPEED	CURRENT	SPEED	CURRENT	TORQUE		OUTPUT	TORQUE		CURRENT	
			r/min	A	r/min	A	mN·m	g·cm	W	mN·m	g·cm	A	
RS-550PC-7527	(*1)	6.0~14.4	12V CONSTANT	18200	1.15	16130	8.97	47.8	488	80.7	421	4292	70.0
RS-550VC-7527	(*1)	6.0~14.4	14.4V CONSTANT	19800	1.30	17620	10.5	64.7	660	119	588	5994	85.0

(*1) CCW shifted commutation (CCW+)

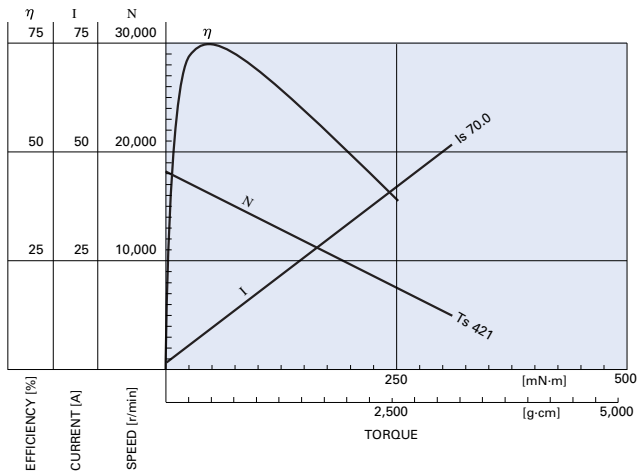


Usable machine screw length 4.0 max. from motor mounting surface.

UNIT: MILLIMETERS

RS-550PC-7527

12.0V



RS-550VC-7527

14.4V

