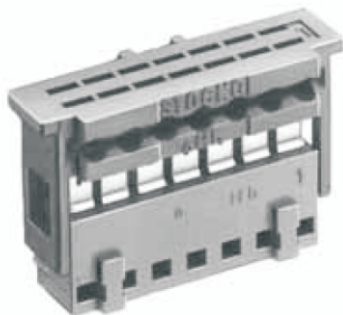


# Konektory a svorkovnice STOCKO 2,54 mm

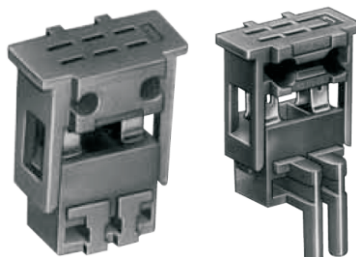
**Series MKF 17360**  
 IDC socket connectors  
 positions 3-20



**Series MKF 17330**  
 IDC socket connectors  
 positions 3-20

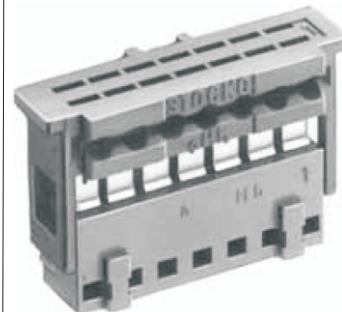


**Series MKF 17033**  
 IDC socket connectors,  
 pitch 5.08mm  
 positions 2



MKF 17033-6-0-202 MKF 17033-6-25-202

**Series MKF 17400**  
 IDC edge connectors  
 positions 3-20



**Series MKS 3730**  
 Pin connectors with snap-in  
 locking device for vertical  
 connections  
 positions 3-20



**Series MKS 4230**  
 Pin connectors with snap-in  
 locking device for vertical  
 connections  
 positions 3-20



**Series MKS 3800**  
 Pin connectors with snap-in  
 locking device for horizontal  
 connections  
 positions 3-20



**Series MKS 4160**  
 Pin connectors with snap-in  
 locking device for horizontal  
 connections  
 positions 3-20



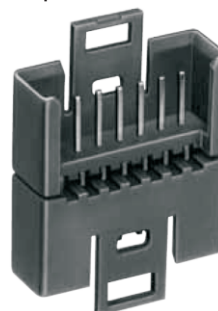
**Series MKS 3470**  
 Pin connectors for vertical  
 connections with snap-  
 locking device and snap-in  
 pegs  
 positions 3-20



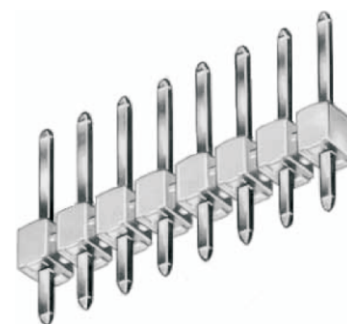
**Series MKS 8550**  
 Tandem pin connectors  
 (flying lead connection)  
 positions 3-20



**Series MKS 8850**  
 Tandem pin connectors (flying  
 lead connection)  
 positions 3-20



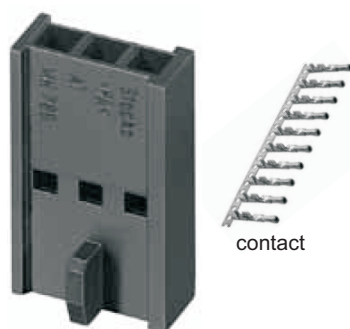
**Series MGZ 8540**  
 Pin strips, pitch 2,54 mm  
 positions 2-40



**Series MGZ 8543**  
 horizontal, single row  
 positions 2-40



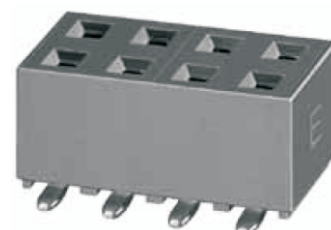
**Series MH 780**  
 housing  
 position 3



**Series MH 790**  
 housing  
 positions 6



**Series MS 7730**  
 SMD Socket connector



# Konektory a svorkovnice STOCKO 5,0 mm

## Series MS 7230

Pin connectors for series MF 7234 positions 3-20



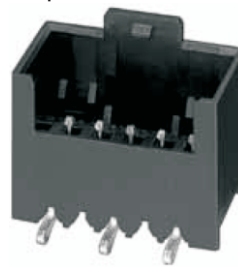
## Series MS 7231

Pin connectors for series MF 7236, 7237 positions 3-20



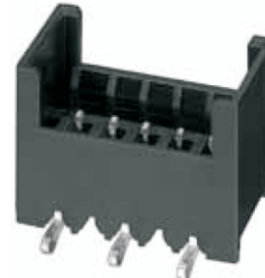
## Series MS 7246, ECO-TRONIC SMT

Pin connectors for series MF 7234, 7260 positions 3-10



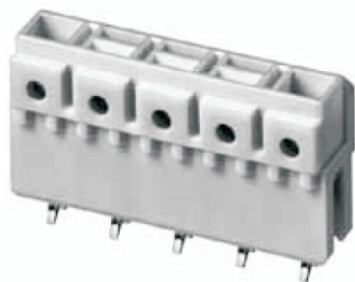
## Series MS 7247, ECO-TRONIC SMT

Pin connectors for series MF 7234 positions 3-10



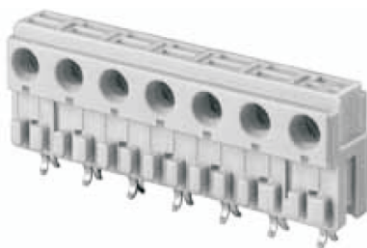
## Series MF 7260

IDC housings positions 2-10



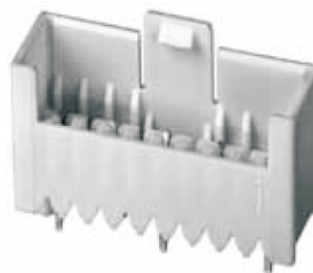
## Series MF 7262

IDC housings positions 2-10



## Series MS 7230

Pin connectors for series MF 7260 positions 2-10



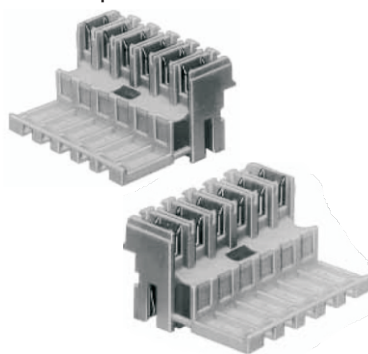
## Series MS 7232

Pin connectors for series MF 7260 positions 2-10



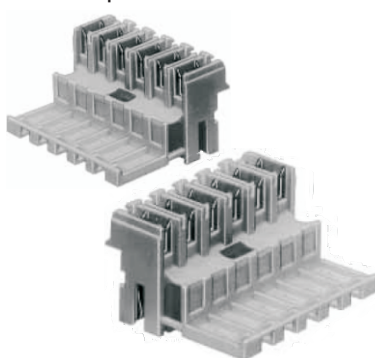
## Series MTL 1 F 6670

IDC housings positions 2-12



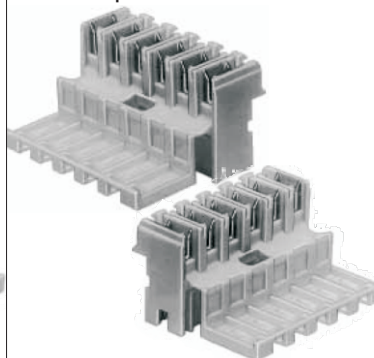
## Series MTL 1 F 6690

IDC housings positions 2-12



## Series MTL 1 F 6710

IDC housings positions 2-12



## Series MTL 1 H 485

Flying lead connector housing for MTL 1 F 6710 positions 2



contacts

## Series MTL 1 S 8180

Pin connectors for series MTL 1 F 6690 2- and 3-way



## Series MTL 1 S 8180

Pin connectors for series MTL 1 F 6690 4- to 12-way



## Series MTL 1 S 8200

Pin connectors for series MTL 1 F 6690 2- and 3-way



## Series MTL 1 S 8200

Pin connectors for series MTL 1 F 6690 4- to 12-way

