

**STK4050XI**

AF Power Amplifier (Split Power Supply) (200 W min, THD = 0.008%)

Features

- Compact packaging supports slimmer set designs
- Series designed from 20 up to 100 W (200 W) and pin-compatibility (120 to 200 W have 18 pins)
- Simpler heat sink design facilitates thermal design of slim stereo sets
- Current mirror circuit application reduce distortion to 0.008 %
- Supports addition of electronic circuits for thermal shutdown and load-short protection circuit as well as pop noise muting which occurs when the power supply switch is turned on and off.

Specifications

Maximum Ratings at $T_a = 25^\circ\text{C}$

Parameter	Symbol	Condition	Rating	Unit
Maximum supply voltage	$V_{CC \text{ max}}$		± 95	V
Thermal resistance	θ_{j-c}		0.95	$^\circ\text{C}/\text{W}$
Junction temperature	T_j		150	$^\circ\text{C}$
Operating substrate temperature	T_c		125	$^\circ\text{C}$
Storage temperature	T_{stg}		-30 to +125	$^\circ\text{C}$

Recommended Operational Conditions at $T_a = 25^\circ\text{C}$

Parameter	Symbol	Condition	Rating	Unit
Recommended supply voltage	V_{CC}		± 66	V
Load resistance	R_L		8	Ω

Operating Characteristics

at $T_a = 25^\circ\text{C}$, $V_{CC} = \pm 66 \text{ V}$, $R_L = 8 \Omega$, $V_G = 40 \text{ dB}$, $R_g = 600 \Omega$, 100 k LPF ON, R_L (non-inductive)

Parameter	Symbol	Condition	Rating			Unit
			min	typ	max	
Quiescent current	I_{CCO}	$V_{CC} = \pm 80 \text{ V}$	15		120	mA
Output power	P_O	THD = 0.008 %, $f = 20 \text{ Hz to } 20 \text{ kHz}$	200			W
Total harmonic distortion	THD	$P_O = 1.0 \text{ W}$, $f = 1 \text{ kHz}$			0.008	%
Frequency response	f_L, f_H	$P_O = 1.0 \text{ W}$, $+0$ -3 dB		20 to 50k		Hz
Input resistance	r_i	$P_O = 1.0 \text{ W}$, $f = 1 \text{ kHz}$		55		k Ω
Output noise voltage	V_{NO}	$V_{CC} = \pm 80 \text{ V}$, $R_g = 10 \text{ k}\Omega$			1.2	mVrms
Neutral voltage	V_N	$V_{CC} = \pm 80 \text{ V}$	-70	0	+70	mV

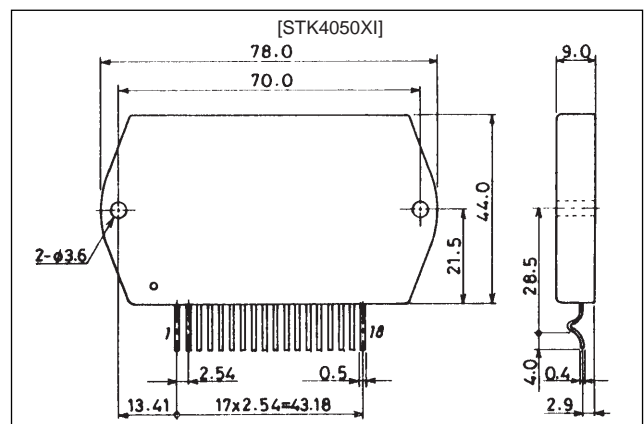
Note: Use rated power supply for test unless otherwise specified.

Output noise voltage represents the peak value on the rms scale (VTVM). The noise voltage waveform does not include the pulse noise.

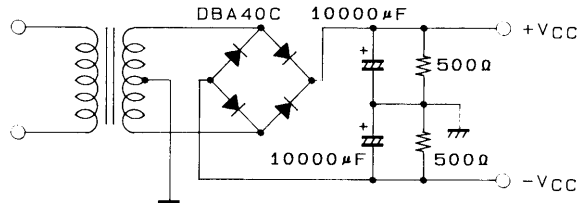
Package Dimensions

unit: mm

4051A



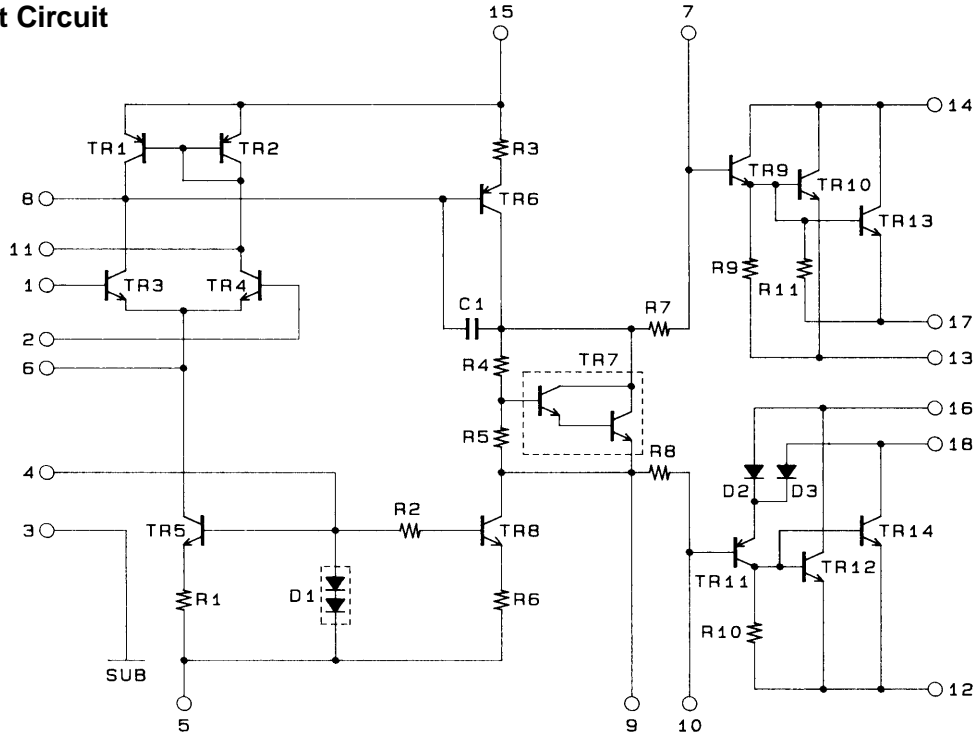
STK4050XI



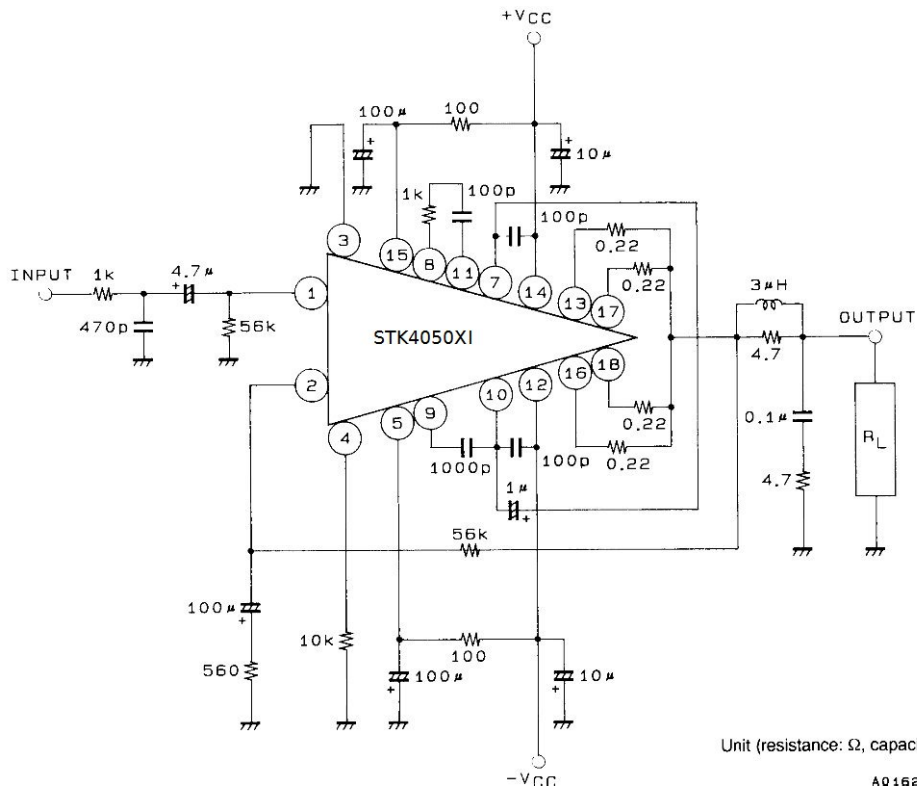
**Specified Transformer Power Supply
(MG-250 Equivalent)**

A01237

Equivalent Circuit



Application Circuit: 200W min Single Channel AF Power Amplifier



Unit (resistance: Ω, capacitance: F)

A01626

- No products described or contained herein are intended for use in surgical implants, life-support systems, aerospace equipment, nuclear power control systems, vehicles, disaster/crime-prevention equipment and the like, the failure of which may directly or indirectly cause injury, death or property loss.
- Anyone purchasing any products described or contained herein for an above-mentioned use shall:
 - ① Accept full responsibility and indemnify and defend SANYO ELECTRIC CO., LTD., its affiliates, subsidiaries and distributors and all their officers and employees, jointly and severally, against any and all claims and litigation and all damages, cost and expenses associated with such use:
 - ② Not impose any responsibility for any fault or negligence which may be cited in any such claim or litigation on SANYO ELECTRIC CO., LTD., its affiliates, subsidiaries and distributors or any of their officers and employees jointly or severally.
- Information (including circuit diagrams and circuit parameters) herein is for example only; it is not guaranteed for volume production. SANYO believes information herein is accurate and reliable, but no guarantees are made or implied regarding its use or any infringements of intellectual property rights or other rights of third parties.

This catalog provides information as of November, 1996. Specifications and information herein are subject to change without notice.