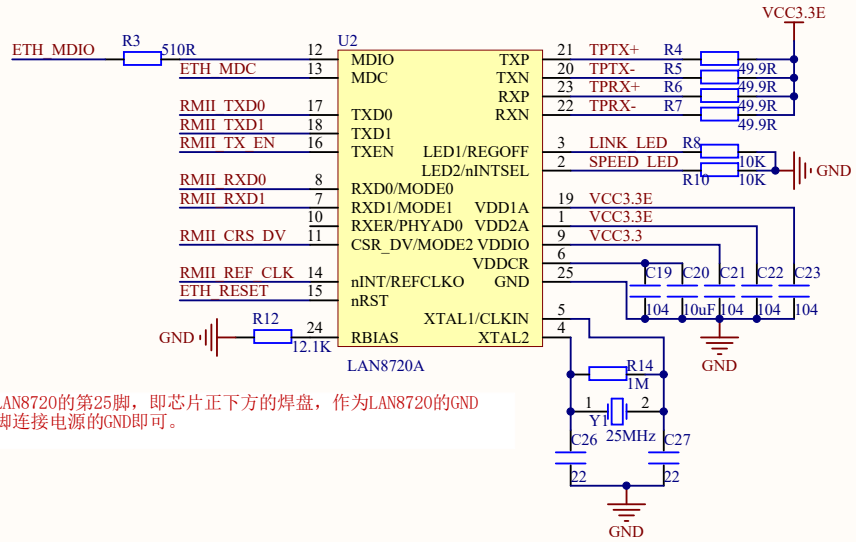
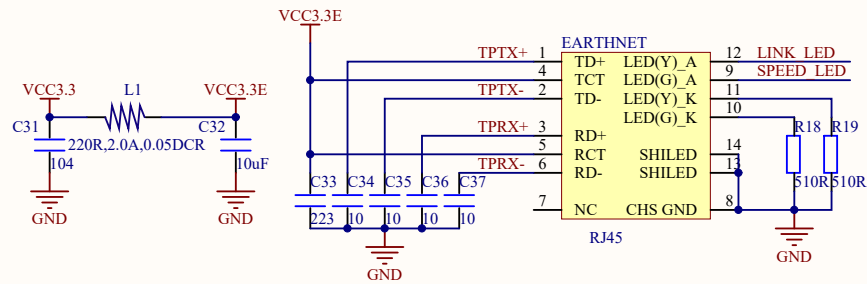


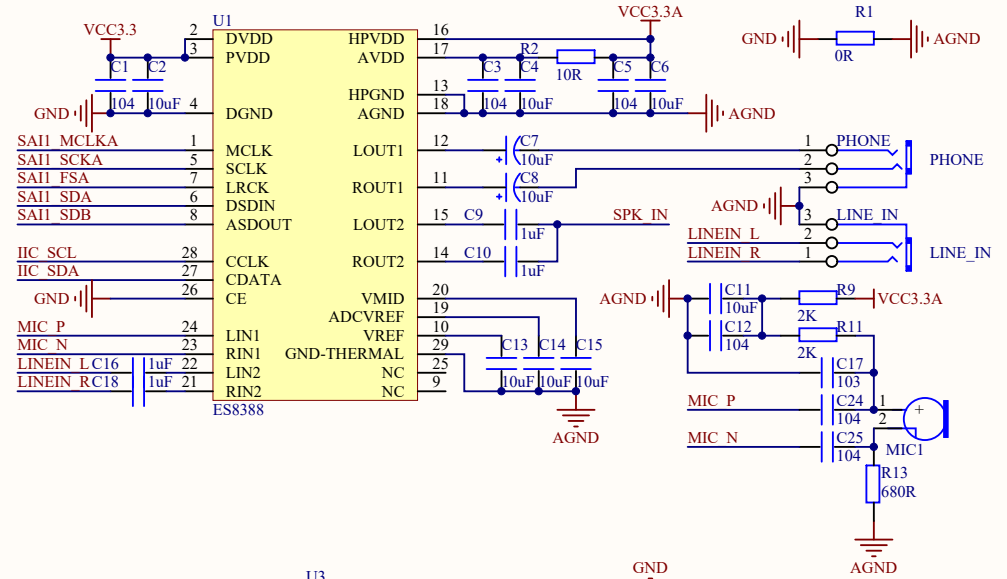
# EARTHNET



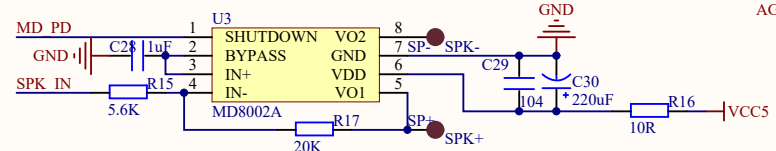
LAN8720的第25脚，即芯片正下方的焊盘，作为LAN8720的GND脚连接电源的GND即可。



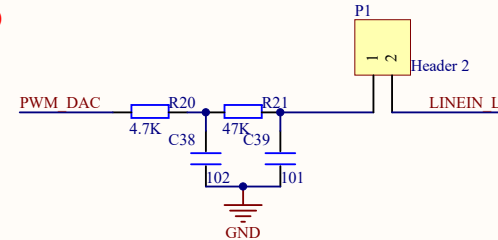
# I2S DAC&ADC



SPK+和SPK-连接开发板自带的喇叭，在开发板底部。



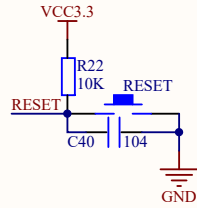
# PWM DAC/AUDIO



Title:	POLARIS STM32F750&H750 MOTHERBOARD
Author:	ALIENITEK
Date:	2019/8/9
Revision:	V1.2
Size:	SheetSize
File:	AUDIO&ETHNET.SchDoc
Version:	Version



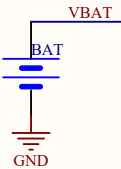
### RESET



### CORE BOARD

LCD HSYNC	PI12	J1 60	M1	J1 1	RESET			
LCD VSYNC	PI13	J1 59	PI12	RESET	J1 2	PA0	WK UP	
LCD CLK	PI14	J1 58	PI13	PA0	J1 3	PH7	T PEN	
LCD DE	PK7	J1 57	PI14	PH7	J1 4	PH6	T SCK	
LCD B7	PK6	J1 56	PK7	PH6	J1 5	PG3	T MISO	
LCD B6	PK5	J1 55	PK6	PG3	J1 6	PG7	T MOSI	
LCD B5	PK4	J1 54	PK5	PG7	J1 7	PI8	T CS	
LCD B4	PK3	J1 53	PK4	PI8	J1 8	PB5	LCD BL	
LCD B3	PJ15	J1 52	PK3	PB5	J1 9	PC11	SD1 D3	DCMI D4
LCD B2	PJ14	J1 51	PJ15	PC11	J1 10	PC10	SD1 D2	
LCD B1	PJ13	J1 50	PJ14	PC10	J1 11	PC9	SD1 D1	DCMI D3
LCD B0	PJ12	J1 49	PJ13	PC9	J1 12	PC12	SD1 CLK	
LCD G7	PK2	J1 48	PJ12	PC12	J1 13	PC8	SD1 D0	DCMI D2
LCD G6	PK1	J1 47	PK2	PC8	J1 14	PD2	SD1 CMD	
LCD G5	PK0	J1 46	PK1	PD2	J1 15	PD3		DCMI D5
LCD G4	PJ11	J1 45	PK0	PD3	J1 16	BOOT0		
LCD G3	PJ10	J1 44	PJ11	BOOT0	J1 17	PG12	SPDIF RX	DCMI RESET
LCD G2	PJ9	J1 43	PJ10	PG12	J1 18	PG11	RMII TX EN	
LCD G1	PJ8	J1 42	PJ9	PG11	J1 19	PG13	RMII TXD0	
LCD G0	PJ7	J1 41	PJ8	PG13	J1 20	PG14	RMII TXD1	
LCD R7	PJ6	J1 40	PJ7	PG14	J1 21	PG10	IWIRE DQ	HC INT
LCD R6	PJ5	J1 39	PJ6	PG10	J1 22	PB4	JTRST	DCMI SCL
LCD R5	PJ4	J1 38	PJ5	PB4	J1 23	PB3	JTDO	DCMI SDA
LCD R4	PJ3	J1 37	PJ4	PB3	J1 24	PE2	SAII MCLKA	
LCD R3	PJ2	J1 36	PJ3	PE2	J1 25	PB7		DCMI VSYNC
LCD R2	PJ1	J1 35	PJ2	PB7	J1 26	PB9		DCMI D7
LCD R1	PJ0	J1 34	PJ1	PB9	J1 27	PB8		DCMI D6
LCD R0	PI15	J1 33	PJ0	PB8	J1 28	VBAT		
			PI15	VBAT	J1 29			
			GND	VCC5	J1 30			
			GND	VCC5	J1 31			

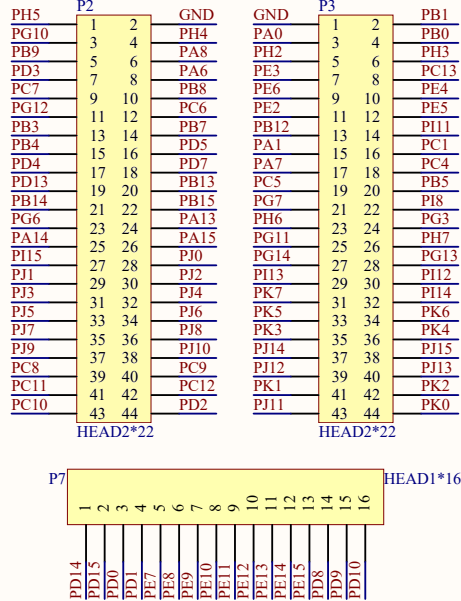
### VBAT



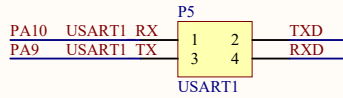
NRF CS	JTDI	PA15	J2 60	PA15	PD10	J2 1	PD10	FMC D15
	JTCK	PA14	J2 59	PA14	PD9	J2 2	PD9	FMC D14
	JTMS	PA13	J2 58	PA13	PD8	J2 3	PD8	FMC D13
USART1 TX		PA9	J2 57	PA9	PE15	J2 4	PE15	FMC D12
USART1 RX		PA10	J2 56	PA10	PE14	J2 5	PE14	FMC D11
	USB D-	PA11	J2 55	PA11	PE13	J2 6	PE13	FMC D10
	USB D+	PA12	J2 54	PA12	PE12	J2 7	PE12	FMC D9
DCMI XCLK	REMOTE IN	PA8	J2 53	PA8	PE11	J2 8	PE11	FMC D8
	NRF CE	PG6	J2 52	PG6	PE10	J2 9	PE10	FMC D7
DCMI D0		PC6	J2 51	PC6	PE9	J2 10	PE9	FMC D6
DCMI D1		PC7	J2 50	PC7	PE8	J2 11	PE8	FMC D5
	FMC A18	PD13	J2 49	PD13	PE7	J2 12	PE7	FMC D4
USART3 TX		PB10	J2 48	PB10	PD1	J2 13	PD1	FMC D3
USART3 RX		PB11	J2 47	PB11	PD0	J2 14	PD0	FMC D2
	SPI2 MOSI	PB15	J2 46	PB15	PD15	J2 15	PD15	FMC D1
GBC LED	NRF IRQ	PB12	J2 45	PB12	PD14	J2 16	PD14	FMC D0
	SPI2 MISO	PB14	J2 44	PB14	PC13	J2 17	PC13	SAII SCKA
	SPI2 SCK	PB13	J2 43	PB13	PC3	J2 18	PC3	SAII SDA
	GBC KEY	PI11	J2 42	PI11	PE3	J2 19	PE3	SAII FSA
	RMII REF CLK	PA1	J2 41	PA1	PE5	J2 20	PE5	SAII SDB
USART2 TX	ETH MDIO	PA2	J2 39	PA2	PE4	J2 21	PC13	KEY2
	RMII RXD1	PC5	J2 38	PC5	PB0	J2 22	PH2	KEY1
	RMII RXD0	PC4	J2 37	PC4	PH5	J2 23	PH3	KEY0
	ETH MDC	PC1	J2 36	PC1	PB1	J2 24	PB0	LED1
USART2 RX	PWM DAC	PA3	J2 35	PA3	PC5	J2 25	PB1	LED0
	FMC NE1	PD7	J2 34	PD7	PC4	J2 26	PH4	IIC SDA
	FMC NOE	PD4	J2 33	PD4	PA4	J2 27	PH4	IIC SCL
	FMC NWE	PD5	J2 32	PD5	PA5	J2 28	PA5	STM ADC
	VREF+ J2 31	PD5	J2 32	PD5	PA3	J2 29	PA4	STM DAC
		VREF+ PA1		VREF+	PA1	J2 30	PA6	DCMI HREF
								DCMI PCLK

核心板接口，由2个2\*30P的3710M端子（公）组成，可插正点原子的STM32F750/STM32H750等核心板

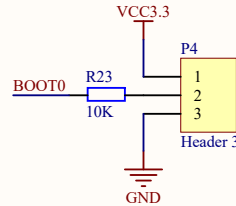
### IO



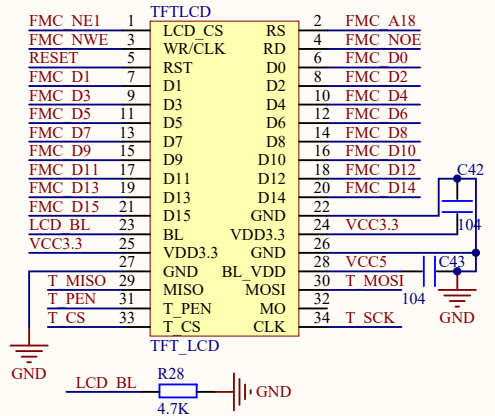
### USB\_UART/USART1



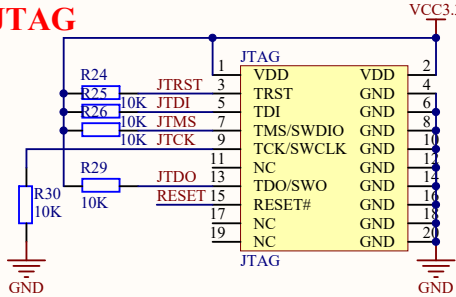
### BOOT



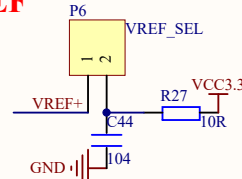
### LCD(MCU)



### JTAG



### VREF



MCU参考电压选择端口，同时也可以控制核心板上LED的亮灭，如果P5短接，则核心板上的电源灯(PWR)和DS0都不会亮。如果需要核心板上的LED亮，拔掉P5的跳线帽即可。

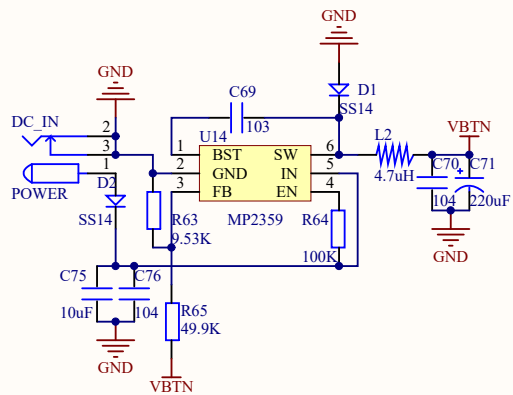
Title: POLARIS STM32F750&H750 MOTHERBOARD	
Author: ALIENTEK	Size: SheetSize
Date: 2019/8/9	File: CORE.SchDoc
Revision: V1.2	Version: Version



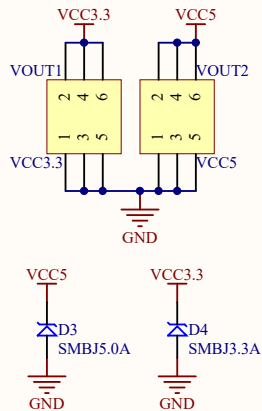
正点原子



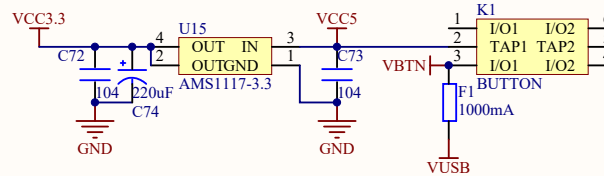
### DC POWER IN



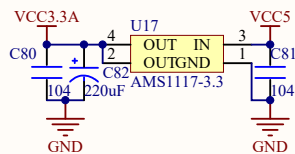
### ON BOARD POWER SOURCE



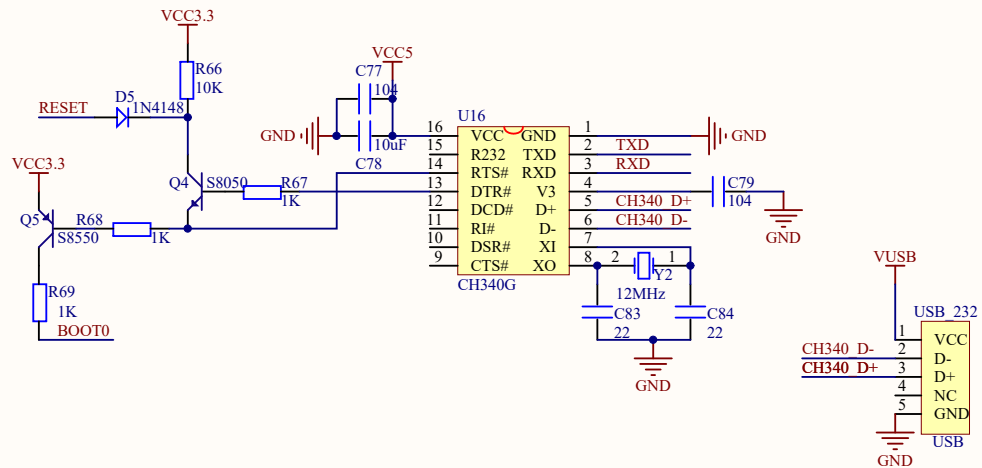
### 3.3V & POWER SWITCH



### WM8978 ANALOG POWER



### USB USART&USB POWER



Title: POLARIS STM32F750&H750 MOTHERBOARD	
Author: ALIENTEK	Size: SheetSize
Date: 2019/8/9	File: POWER&USB USART.SchDoc
Revision: V1.2	Version: Version

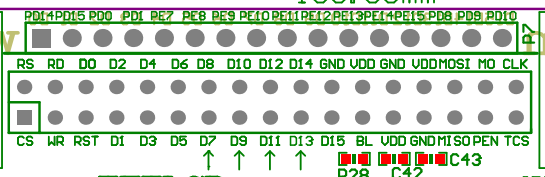


160.00mm

121.00mm

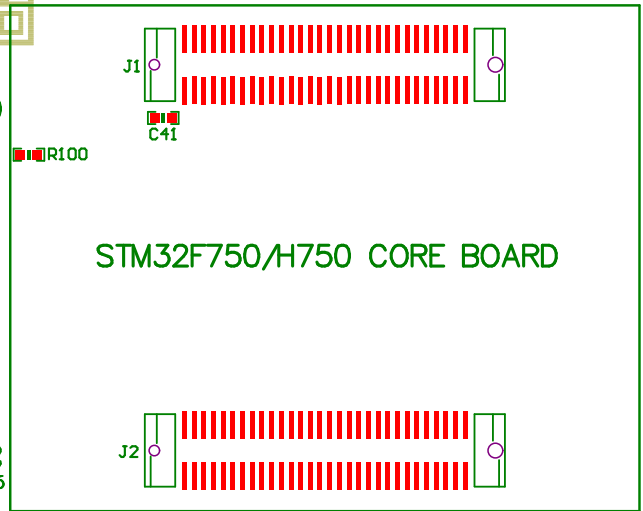
www.openedv.com

www.alientek.com



TFTLCD

注意：请沿左右方向拔插核心板



POLARIS BOARD V1.2

