

THIS DRAWING IS UNPUBLISHED.

RELEASED FOR PUBLICATION

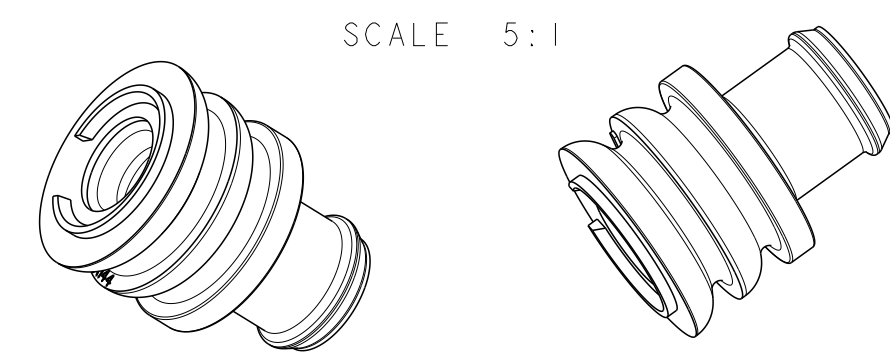
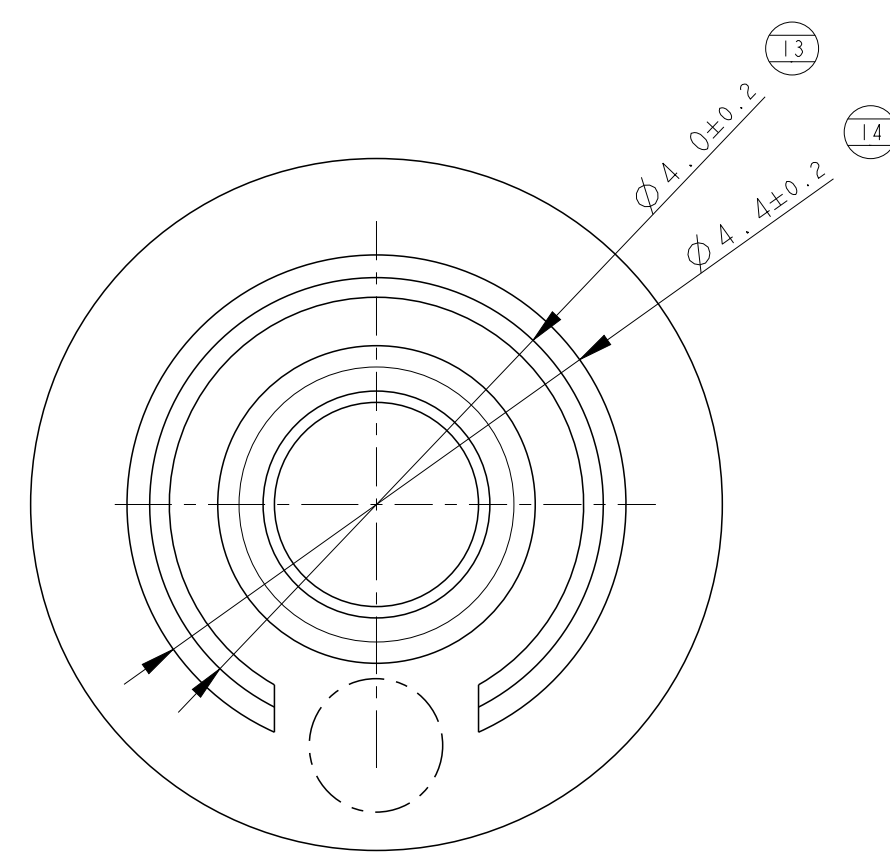
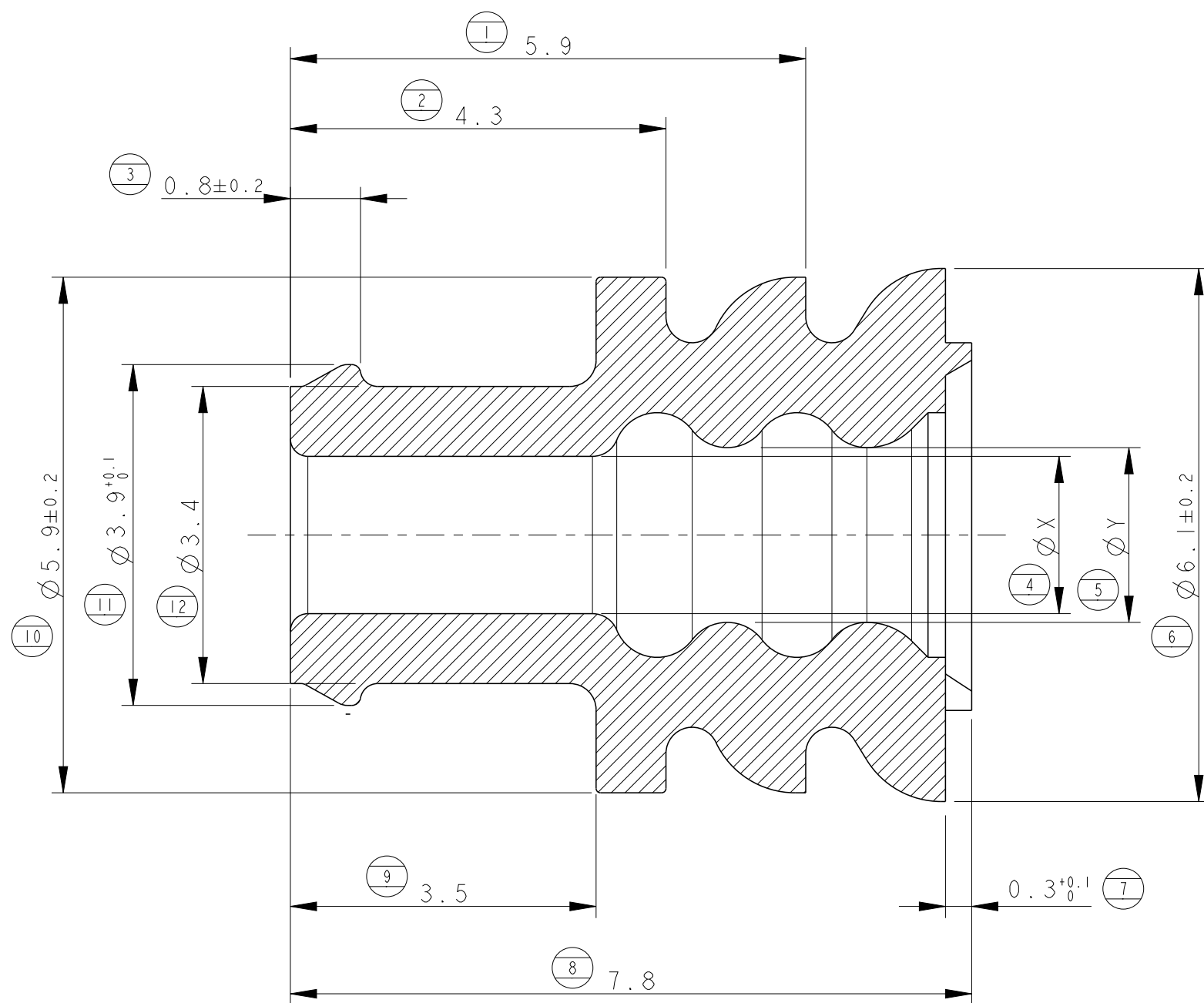
20

© COPYRIGHT 20 BY -

ALL RIGHTS RESERVED.

REVISIONS

P	LTR	DESCRIPTION	DATE	DWN	APVD
	H2	REDRAWN (ECR-15-005089)	09APR2015	M.G.	M.G.

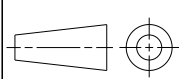


SCALE 5:1

SUITABLE FOR INS. DIA	DIM. "Y"	DIM. "X"	COLOUR	MATERIAL	REV.	P/N
1.2 - 1.6	1.0±0.2	1.0±0.2	WHITE	FLUORSILICONE RUBBER (FSL)	H	281934-5
			GREEN		H	281934-4
2.5 - 3.3	2.0±0.2	1.8±0.2	RED	SILICONE RUBBER (LSR)	H	281934-3
1.7 - 2.4	1.4±0.2	1.4±0.2	YELLOW		H	281934-2

THIS DRAWING IS A CONTROLLED DOCUMENT.

DIMENSIONS: mm



MATERIAL SEE TABLE

TOLERANCES UNLESS OTHERWISE SPECIFIED:

0 PLC	±0.3
1 PLC	±0.3
2 PLC	±-
3 PLC	±-
4 PLC	±-
ANGLES	±2°
FINISH	-

DWN C. BERTINI 12-'88

CHK A. BRUNI 05-'92

APVD -

PRODUCT SPEC -

APPLICATION SPEC -

WEIGHT -

Customer Drawing

STE TE Connectivity

NAME SINGLE WIRE SEAL

SIZE	CAGE CODE	DRAWING NO	RESTRICTED TO
A3	-	C-281934	-

SCALE 15:1 SHEET 1 OF 1 REV H2