

To our customers,

Old Company Name in Catalogs and Other Documents

On April 1st, 2010, NEC Electronics Corporation merged with Renesas Technology Corporation, and Renesas Electronics Corporation took over all the business of both companies. Therefore, although the old company name remains in this document, it is a valid Renesas Electronics document. We appreciate your understanding.

Renesas Electronics website: <http://www.renesas.com>

April 1st, 2010
Renesas Electronics Corporation

Issued by: Renesas Electronics Corporation (<http://www.renesas.com>)

Send any inquiries to <http://www.renesas.com/inquiry>.

Not recommended
for new design

Notice

1. All information included in this document is current as of the date this document is issued. Such information, however, is subject to change without any prior notice. Before purchasing or using any Renesas Electronics products listed herein, please confirm the latest product information with a Renesas Electronics sales office. Also, please pay regular and careful attention to additional and different information to be disclosed by Renesas Electronics such as that disclosed through our website.
2. Renesas Electronics does not assume any liability for infringement of patents, copyrights, or other intellectual property rights of third parties by or arising from the use of Renesas Electronics products or technical information described in this document. No license, express, implied or otherwise, is granted hereby under any patents, copyrights or other intellectual property rights of Renesas Electronics or others.
3. You should not alter, modify, copy, or otherwise misappropriate any Renesas Electronics product, whether in whole or in part.
4. Descriptions of circuits, software and other related information in this document are provided only to illustrate the operation of semiconductor products and application examples. You are fully responsible for the incorporation of these circuits, software, and information in the design of your equipment. Renesas Electronics assumes no responsibility for any losses incurred by you or third parties arising from the use of these circuits, software, or information.
5. When exporting the products or technology described in this document, you should comply with the applicable export control laws and regulations and follow the procedures required by such laws and regulations. You should not use Renesas Electronics products or the technology described in this document for any purpose relating to military applications or use by the military, including but not limited to the development of weapons of mass destruction. Renesas Electronics products and technology may not be used for or incorporated into any products or systems whose manufacture, use, or sale is prohibited under any applicable domestic or foreign laws or regulations.
6. Renesas Electronics has used reasonable care in preparing the information included in this document, but Renesas Electronics does not warrant that such information is error free. Renesas Electronics assumes no liability whatsoever for any damages incurred by you resulting from errors in or omissions from the information included herein.
7. Renesas Electronics products are classified according to the following three quality grades: “Standard”, “High Quality”, and “Specific”. The recommended applications for each Renesas Electronics product depends on the product’s quality grade, as indicated below. You must check the quality grade of each Renesas Electronics product before using it in a particular application. You may not use any Renesas Electronics product for any application categorized as “Specific” without the prior written consent of Renesas Electronics. Further, you may not use any Renesas Electronics product for any application for which it is not intended without the prior written consent of Renesas Electronics. Renesas Electronics shall not be in any way liable for any damages or losses incurred by you or third parties arising from the use of any Renesas Electronics product for an application categorized as “Specific” or for which the product is not intended where you have failed to obtain the prior written consent of Renesas Electronics. The quality grade of each Renesas Electronics product is “Standard” unless otherwise expressly specified in a Renesas Electronics data sheets or data books, etc.
 - “Standard”: Computers; office equipment; communications equipment; test and measurement equipment; audio and visual equipment; home electronic appliances; machine tools; personal electronic equipment; and industrial robots.
 - “High Quality”: Transportation equipment (automobiles, trains, ships, etc.); traffic control systems; anti-disaster systems; anti-crime systems; safety equipment; and medical equipment not specifically designed for life support.
 - “Specific”: Aircraft; aerospace equipment; submersible repeaters; nuclear reactor control systems; medical equipment or systems for life support (e.g. artificial life support devices or systems), surgical implantations, or healthcare intervention (e.g. excision, etc.), and any other applications or purposes that pose a direct threat to human life.
8. You should use the Renesas Electronics products described in this document within the range specified by Renesas Electronics, especially with respect to the maximum rating, operating supply voltage range, movement power voltage range, heat radiation characteristics, installation and other product characteristics. Renesas Electronics shall have no liability for malfunctions or damages arising out of the use of Renesas Electronics products beyond such specified ranges.
9. Although Renesas Electronics endeavors to improve the quality and reliability of its products, semiconductor products have specific characteristics such as the occurrence of failure at a certain rate and malfunctions under certain use conditions. Further, Renesas Electronics products are not subject to radiation resistance design. Please be sure to implement safety measures to guard them against the possibility of physical injury, and injury or damage caused by fire in the event of the failure of a Renesas Electronics product, such as safety design for hardware and software including but not limited to redundancy, fire control and malfunction prevention, appropriate treatment for aging degradation or any other appropriate measures. Because the evaluation of microcomputer software alone is very difficult, please evaluate the safety of the final products or system manufactured by you.
10. Please contact a Renesas Electronics sales office for details as to environmental matters such as the environmental compatibility of each Renesas Electronics product. Please use Renesas Electronics products in compliance with all applicable laws and regulations that regulate the inclusion or use of controlled substances, including without limitation, the EU RoHS Directive. Renesas Electronics assumes no liability for damages or losses occurring as a result of your noncompliance with applicable laws and regulations.
11. This document may not be reproduced or duplicated, in any form, in whole or in part, without prior written consent of Renesas Electronics.
12. Please contact a Renesas Electronics sales office if you have any questions regarding the information contained in this document or Renesas Electronics products, or if you have any other inquiries.

(Note 1) “Renesas Electronics” as used in this document means Renesas Electronics Corporation and also includes its majority-owned subsidiaries.

(Note 2) “Renesas Electronics product(s)” means any product developed or manufactured by or for Renesas Electronics.

DESCRIPTION

R8A66173 has four 12-bit PWM (Pulse Width Modulation) circuits which are built by using the CMOS process.

This IC controls PWM waveform by adjusting the “H” width according to serial data sent from MCU (Micro Controller Unit) or other device. Each channel can be independently controlled.

High-resolution digital-analog (D-A) converter can be formed easily by connecting a low-pass filter (LPF) circuit to the output pins of this circuit.

R8A66173 is the succession product of M66242.

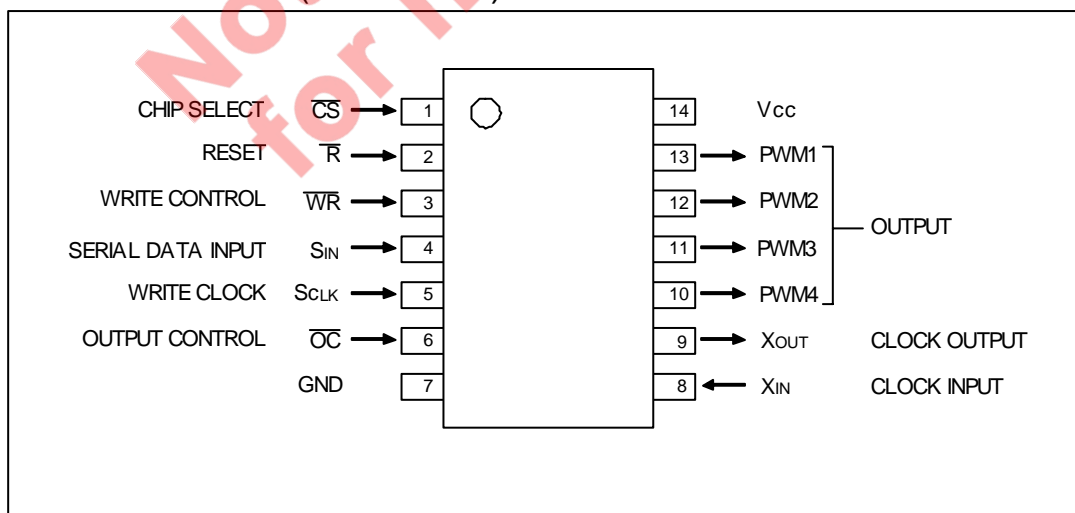
FEATURES

- Built-in four 12-bit high-resolution PWM circuits
- Easy D-A conversion – Quick output waveform smoothing
Control by 1.22mV possible per step (Vcc=5V range)
- Serial data input
- “H” level width setting type
- 4 channels controlled independently
- All 4 channels reset by reset input (\overline{R}), High-impedance status after reset
- All 4 channels controlled by output control input (\overline{OC})
- Settings take effect after ongoing cycle is completed
- Output : CMOS 3-state output
Output current $I_o = \pm 4\text{mA}$ (Vcc=5.0V range), $I_o = \pm 2\text{mA}$ (Vcc=3.3V range)
- Wide operating supply voltage range (Vcc=3.0~3.6V or Vcc=4.5~5.5V, single power supply)
- Wide operating temperature range: Ta=-40°C~+85°C

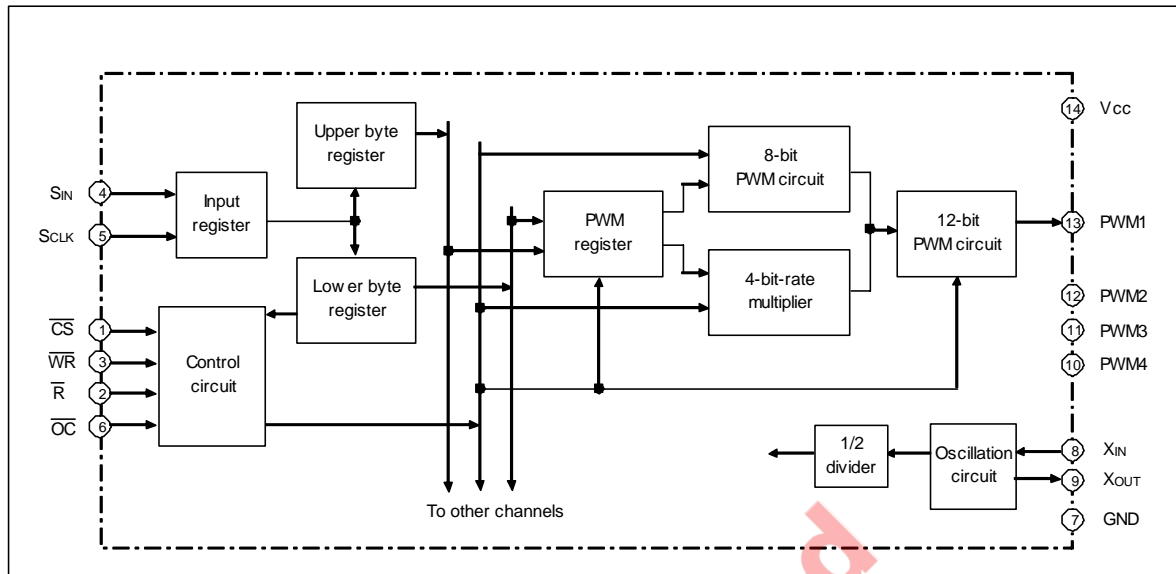
APPLICATION

- Analog signal control in televisions and audio systems
- Control of lamps, heaters and motors
- For software servo in home appliances and industrial machinery

PIN CONFIGURATION (TOP VIEW)



BLOCK DIAGRAM (EACH CHANNEL)



FUNCTION

The PWM output waveform of each channel is controlled by taking in PWM data from MCU or other device via serial data input SIN.

12-bit PWM data is input being divided between upper 8-bits (upper byte) and lower 4-bits.

The lower 4-bit data is combined with command data such as channel designation and input as 8-bit data (lower byte).

The lower byte should be written first, and then the upper byte. Even if only the upper byte is to be changed, rewrite from the lower byte.

The PWM waveform changes according to the new setting from the next cycle.

One cycle of PWM waveform (=4096 divisions; 12-bit resolution) are divided into 16 (2^4) subsections t. Each subsection consists of 256 (=2⁸; 8-bit resolution) minimum bits τ (=2/fXIN**).

One subsection t consists of an 8-bit PWM waveform (basic waveform). The "H" width of this waveform is determined according to the upper 8-bits of PWM data. One cycle has 16 subsections t, each of which has this basic waveform. Among them, those which are designated by the 4-bit-rate multiplier are conditioned to have a "H" width that is longer by τ . The lower 4-bits of PWM data are used to specify those subsections (tm). The waveform of other subsections remains unchanged.

The PWM waveform (12-bit resolution) is a combination of two types of waveforms which are different in "H" width, as described above.

When output control input OC is "H", the output of every 4-channel turns high-impedance from the next cycle.

When reset input R is "L", the output of every channel turns high-impedance as soon as the ongoing cycle is completed, and PWM data of all channels is reset. If R input is changed from "L" to "H", the next cycle starts, however, the output of the channels remains high-impedance.

To enable output, rewrite input data for each channel.

**fXIN: Clock XIN repeat frequency

PIN DESCRIPTIONS

Pin	Name	Input/Output	Functions
\overline{R}	Reset input	Input	"L" : All 4-channels put in high-impedance state.
\overline{CS}	Chip select input	Input	"L" : Communication with MCU becomes possible. \overline{WR} , S_{IN} and S_{CLK} put in enable state.
\overline{WR}	Write control input	Input	"L" : Serial data written. "L"-to-"H" edge: Written data stored in upper or lower byte register.
S_{IN}	Serial data input	Input	Inputs 8-bit serial data from MCU synchronously with S_{CLK} clock.
S_{CLK}	Write clock input	Input	Inputs sync clock pulses for 8-bit serial data writing.
\overline{OC}	Output control input	Input	"H" : All 4-channels put in high-impedance state.
PWM1 ~ PWM4	PWM outputs 1 ~ 4	Output	Outputs PWM waveform. (CMOS 3-state output)
X_{IN}	Clock input	Input	Input/output signals generated by clock signal generation circuit. Oscillation frequency is determined by connecting ceramic or quartz resonator between X_{IN} and X_{OUT} . The frequency of internal clock (PWM timing clock) signals is the 1/2 divider of the frequency input from clock input X_{IN} .
X_{OUT}	Clock output	Output	When external clock signals are used, connect clock generator to X_{IN} pin and leave X_{OUT} open.

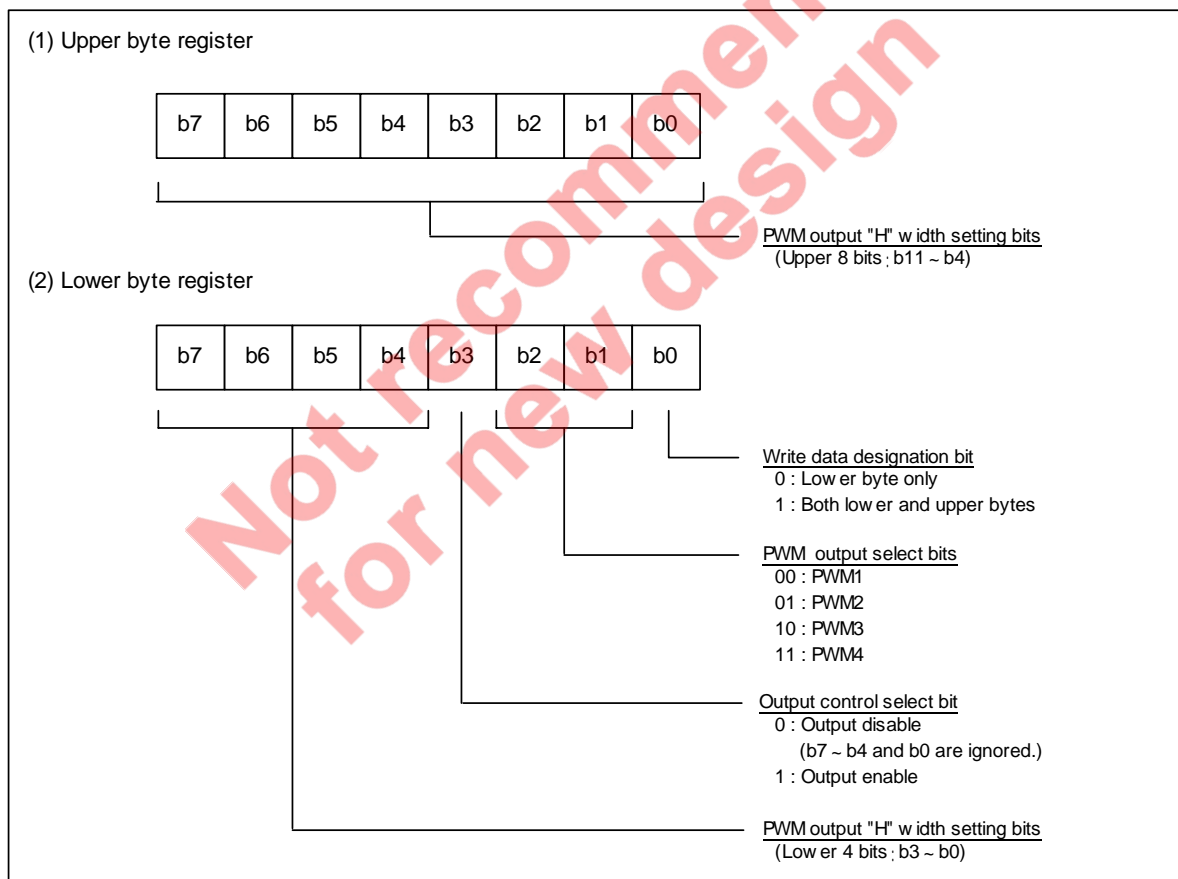


Fig. 1 Upper and Lower Byte Register Makeup

Table 1 Mode Selection

Mode	Input serial data	
	Lower byte data	Upper byte data
PWM data setting (output enable)	Lower 4-bit data setting	b7 b6 b5 b4 1 b2 b1 0 -
	12-bit data setting	b7 b6 b5 b4 1 b2 b1 1 b7 b6 b5 b4 b3 b2 b1 b0
Output disable	X X X X 0 b2 b1 X	-

Table 2 Patterns of Lower 4-bits and Subsections whose "H" Width is increased

PWM register b3 ~ b0	Subsection t_m whose H width is increased by ($m = 0 \sim 15$)	Number of Subsections
0000	Nothing	0
0001	$m = 8$	1
0010	$m = 4, 12$	2
0100	$m = 2, 6, 10, 14$	4
1000	$m = 1, 3, 5, 7, 9, 11, 13, 15$	8
1111	$m = 1 \sim 15$ ($m = 0$)	15

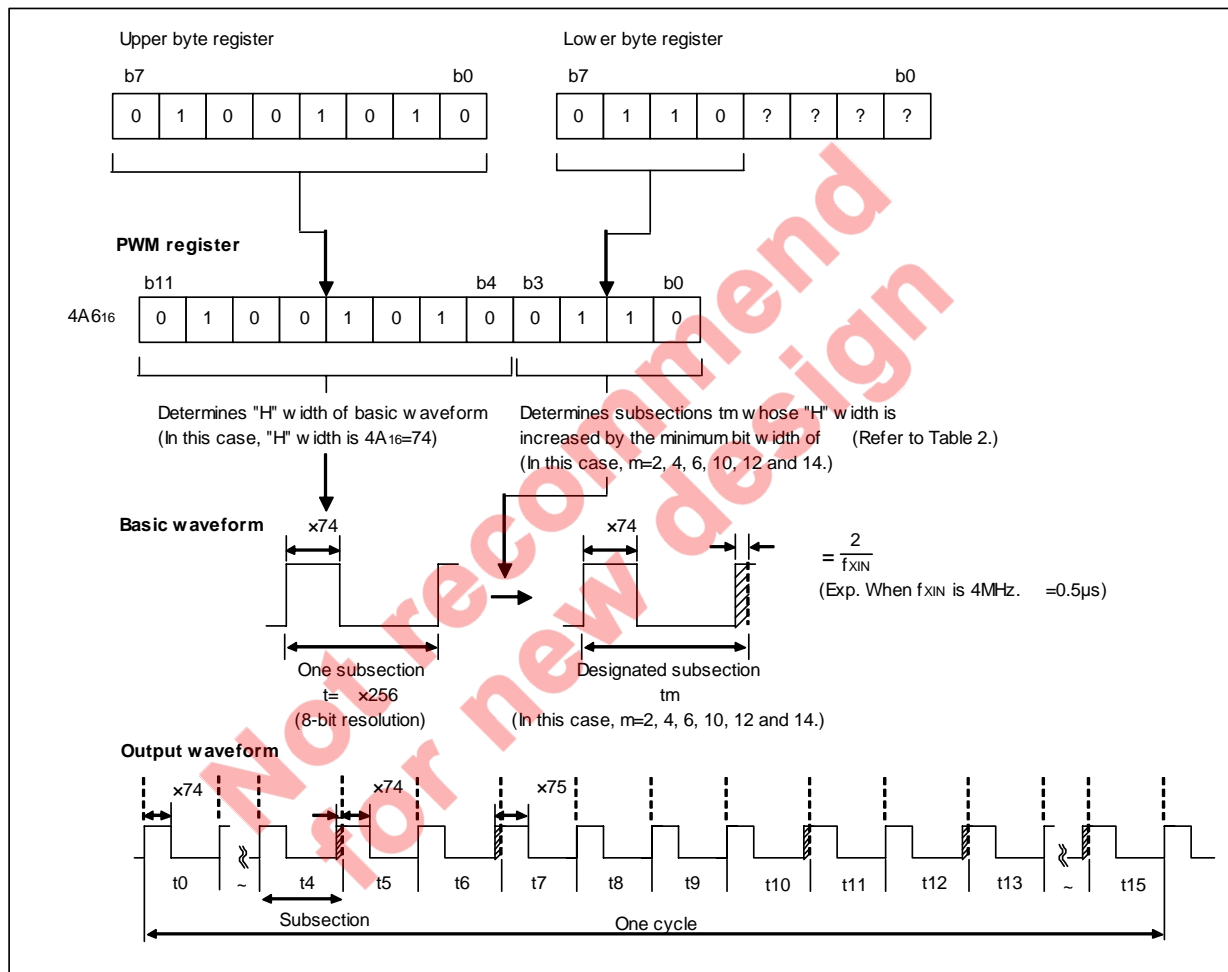


Fig.2 PWM Waveform Output Example (Input data:4A616)

OPERATION

Serial Data Input

When chip select \overline{CS} is "L" and write control input \overline{WR} is "L", data input to SIN at the edge where write clock input $SCLK$ status shifts from "L" to "H" is written. (See Fig.3.) At the edge where \overline{WR} rises from "L" to "H", the latest 8-bit data writing is completed, and input data is stored in lower (or upper) byte register. When writing on the lower byte or writing on both upper and lower bytes is completed, data on the lower byte register or, in the latter case, data on both lower and upper byte registers is written on the PWM register of the channel designated by lower bytes b2 and b1. All setting process ends with this writing, and PWM waveform changes according to the setting from the next cycle.

PWM Waveform Output

(1) 12-bit PWM output

One PWM waveform cycle is divided into $16(=2^4)$ subsections t , and each subsection is further divided into $256(=2^8)$ minimum resolution bits $\tau(=2/f_{XIN})$. The "H" width of subsection t basic waveform is determined by the upper 8-bits of PWM data. (In Fig.2 above, "H" width is $4A_{16}=74\times\tau$)

Among these 16 subsections t , subsections t_m designated by the lower 4-bits of PWM data have "H" width that is longer by τ .

(In Fig.2 above, the "H" width of designated 6 subsections ($m = 2, 4, 6, 10, 12$ and 14) is $4B_{16}=75\times\tau$.)

The "H" width of undesignated subsections remains unchanged.

As explained above, one cycle of waveform is a combination of two waveforms different in the "H" width.

(In Fig. 2 above, one cycle consists of 10 subsections whose "H" width is $74\times\tau$ and 6 subsections whose "H" width is $75\times\tau$)

Note: It is impossible to set one whole cycle to "H" level.

(2) 8-bit PWM output

As can be seen from the 12-bit PWM waveform output process as described above, 8-bit resolution PWM waveform can be output by fixing the lower 4-bits of PWM data to 0000₂.

All subsections from t_0 to t_{15} have the "H" width as determined by the upper 8-bits of PWM data.

Note: It is impossible to set one whole cycle to "H" level.

Output Control

(1) Serial data input

By using data on lower byte register b3 (output control selection bit), output of each channel can be controlled independently. The state of the selected PWM output changes after the completion of the ongoing cycle.

When b3 is set 0, lower byte register b0 (write data designation bit) is reset. Do not write on upper byte in this case.

(2) Output control input

The status of all 4-channel outputs during a cycle is determined depending on the status of output control input \overline{OC} at the start of the cycle. (See Fig. 6.)

Even when output is in a high-impedance state, data on each PWM register is retained, and data can be rewritten.

(3) Reset

When reset input \overline{R} turns "L", all operation is reset as soon as the ongoing cycle is completed. The outputs of all 4-channels turn high-impedance. The PWM register of each channel is reset.

When \overline{R} is shifted from "L" to "H", a next cycle starts, and data writing becomes possible. However, outputs stay in the high-impedance state. (See Fig. 6)

To resume output, write input data for each channel.

Initial State

After power-on, outputs and PWM register data are unstable.

(1) Reset

Reset input \overline{R} is kept on "L" level for more than one cycle (2.048ms when f_{XIN} is 4 MHz) or more, this integrated circuit is put in a reset state.

If stabilization needs more time, e.g. when a quartz resonator is used, keep \overline{R} on "L" level for an adequate period of time.

(2) Serial data input

When starting using this integrated circuit without resetting, input false lower byte data ($b_0=0$) to stabilize lower byte register b0 data, and then input normal data.

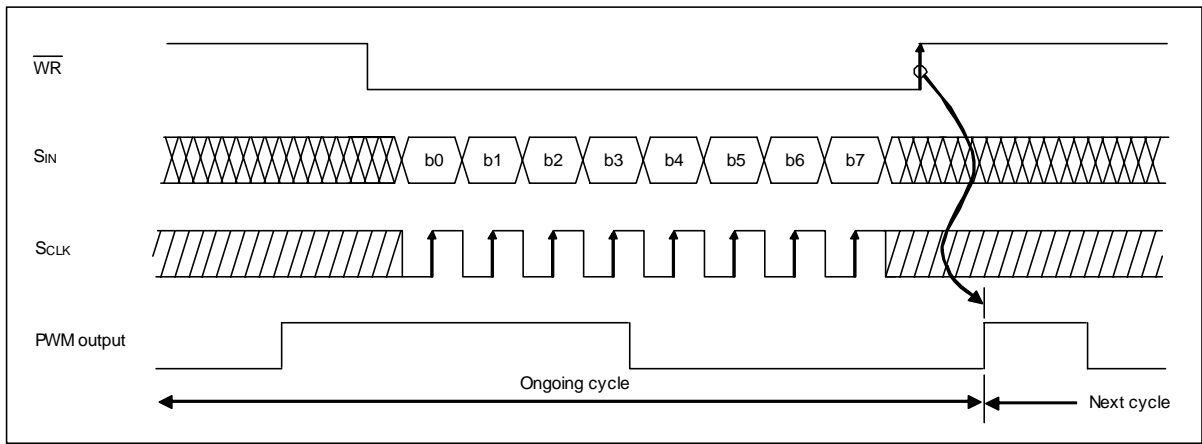


Fig.3 Serial Data Write Timing

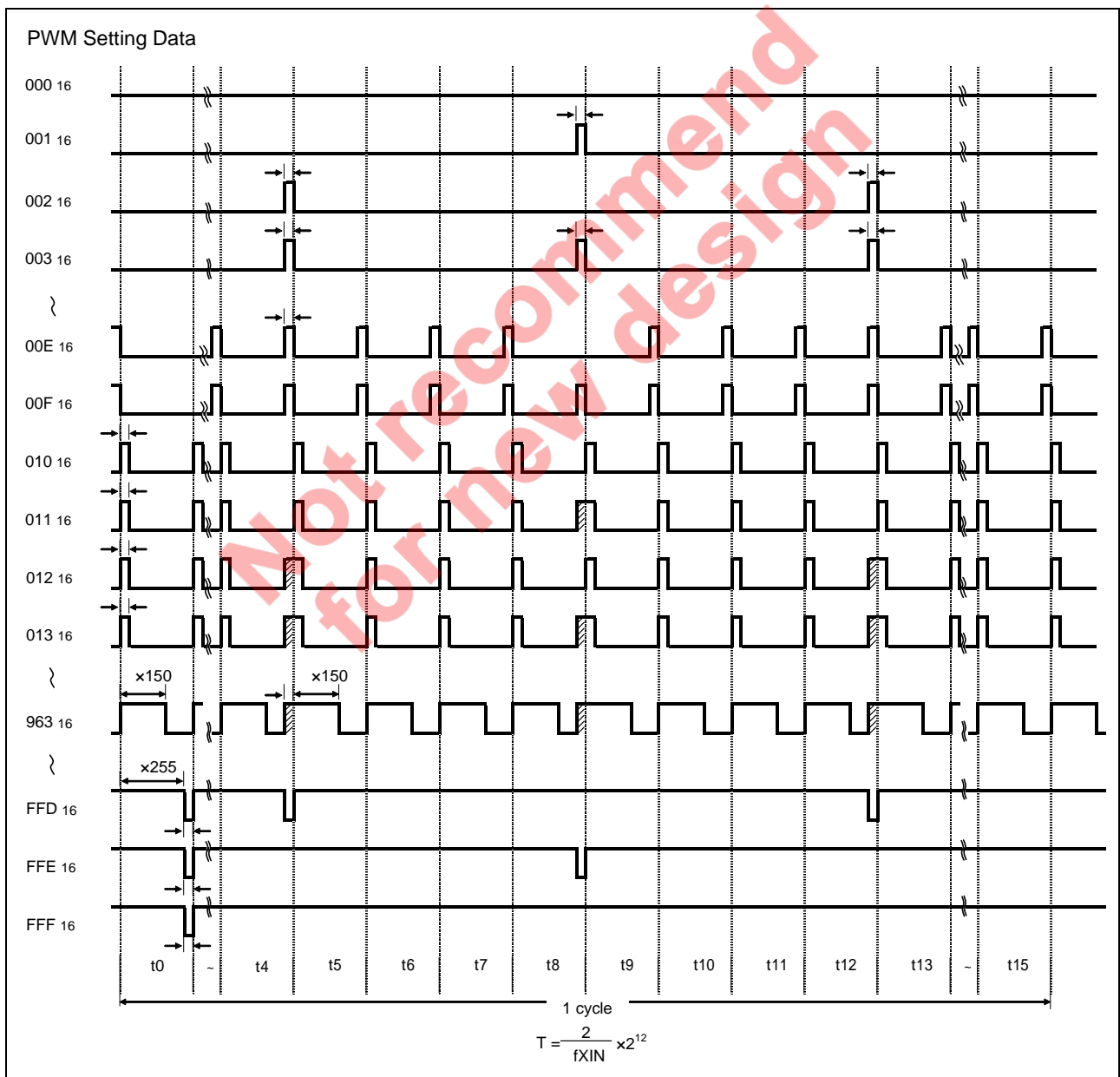


Fig.4 12-bit PWM Waveform Output Example

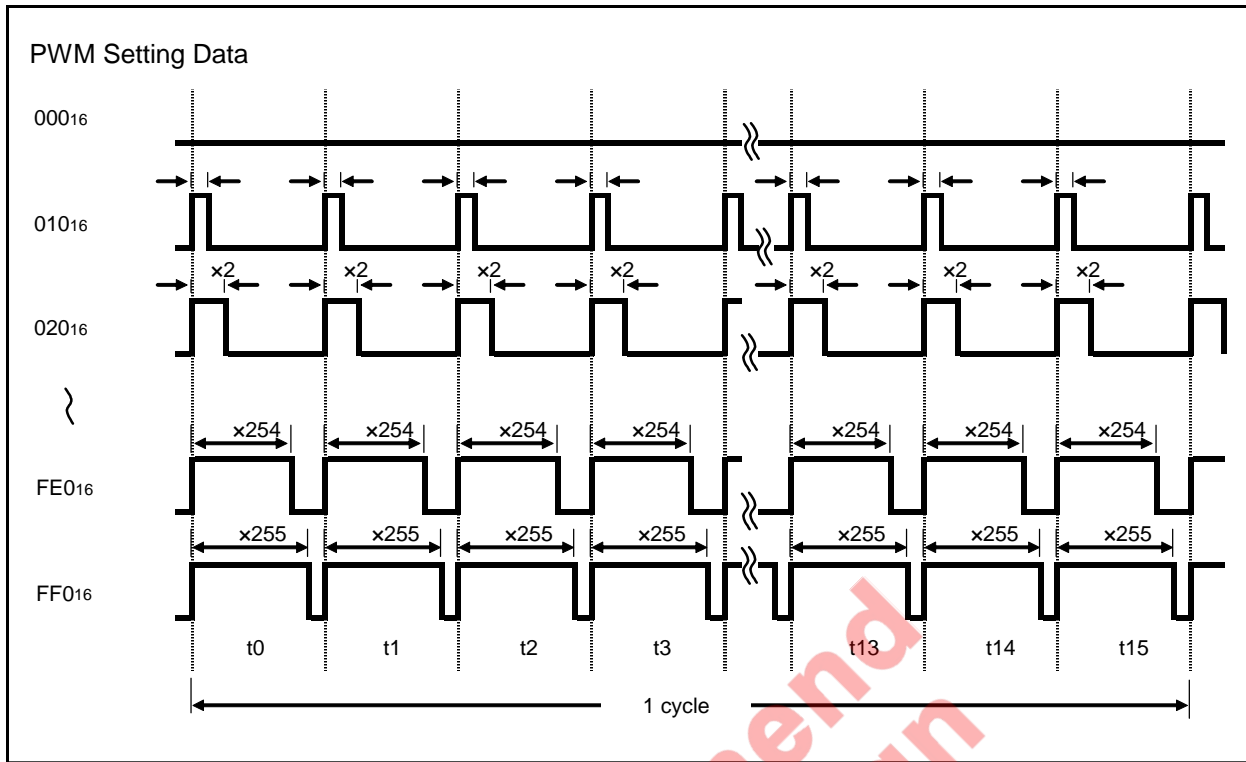


Fig.5 8-bit PWM Waveform Output Example

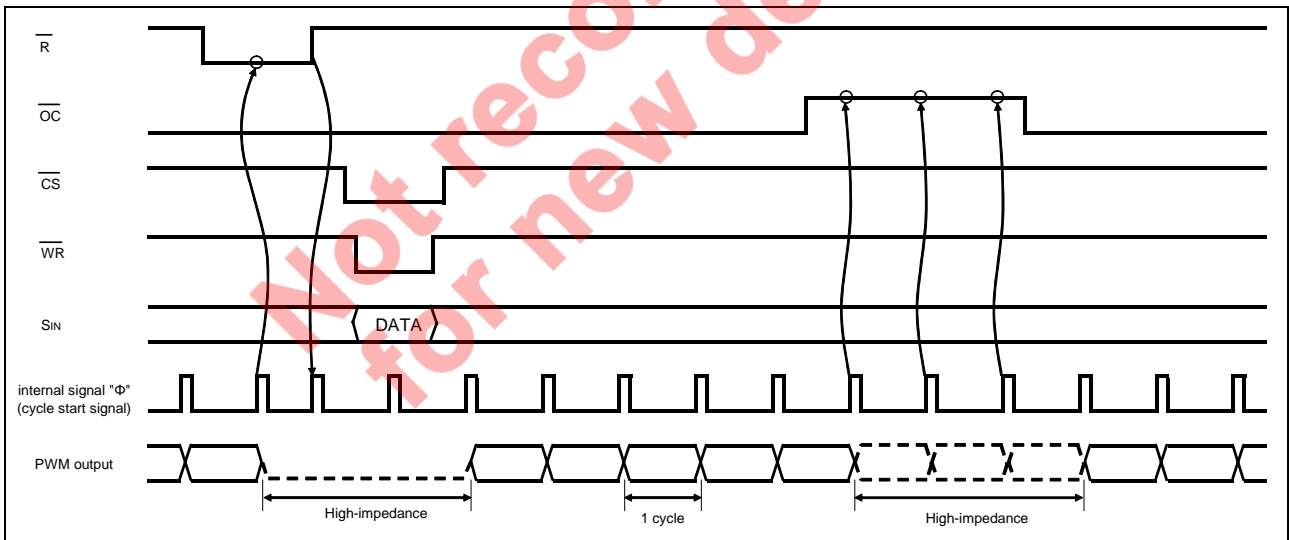


Fig.6 Output Control Timing Chart

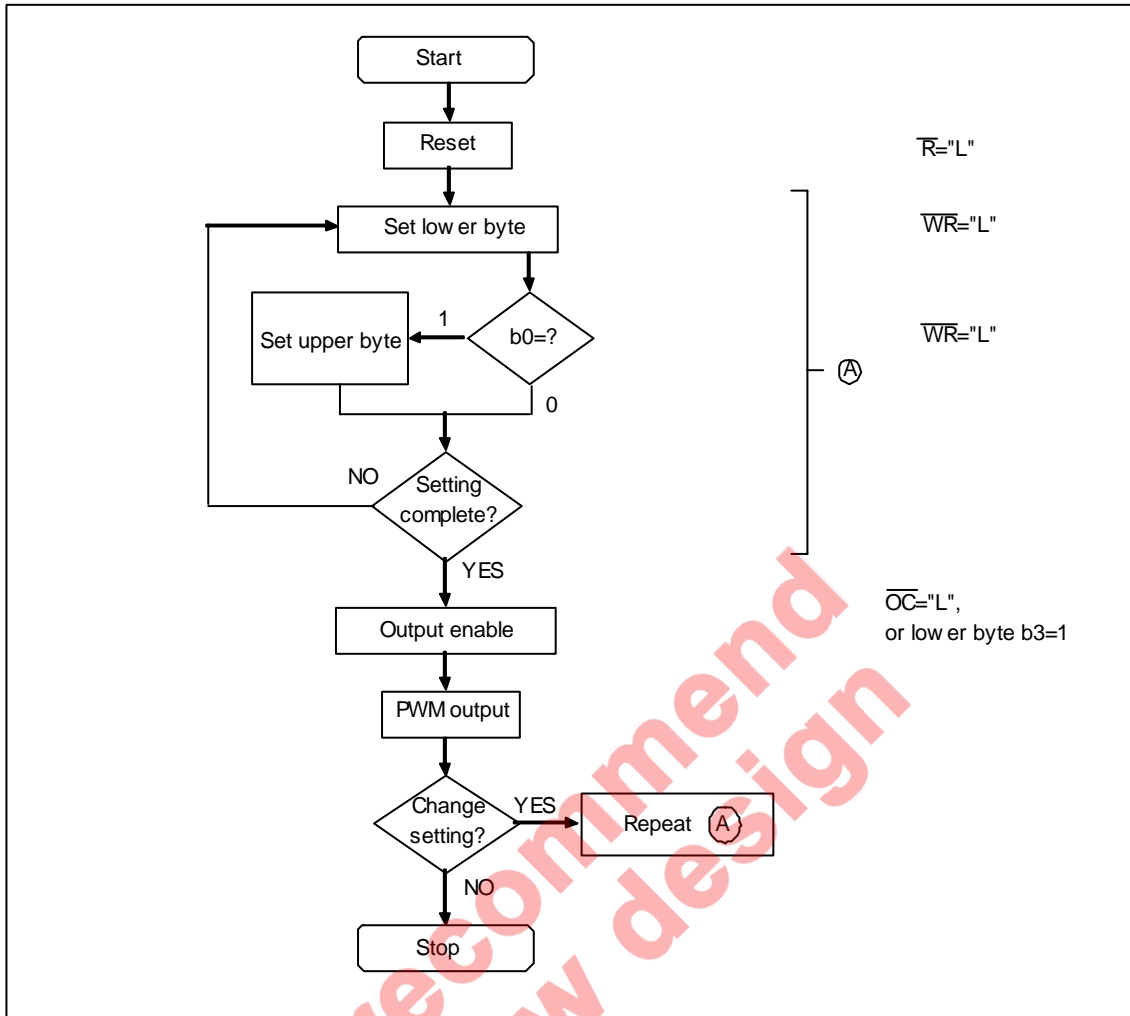


Fig.7 PWM Setting Flow Chart

ABSOLUTE MAXIMUM RATINGS (Ta= -40°C~85°C unless otherwise noted)

Symbol	Parameter	Conditions	Ratings	Unit
Vcc	Supply voltage		-0.5 ~ +7.0	V
Vi	Input voltage		-0.5 ~ Vcc+0.5	V
Vo	Output voltage		-0.5 ~ Vcc+0.5	V
Io	Output current		±15	mA
Icc	Supply/GND current	Vcc, GND	±40	mA
Pd	Power dissipation		150	mW
Tstg	Storage temperature		-65 ~ 150	°C

RECOMMENDED OPERATING CONDITIONS (Ta=-40°C ~ 85°C unless otherwise noted)

Symbol	Parameter		Limits			Unit
			Min.	Typ.	Max.	
Vcc	Supply voltage	5.0V support	4.5	5.0	5.5	V
		3.3V support	3.0	3.3	3.6	V
GND	Supply voltage		0			V
Vi	Input voltage		0		Vcc	V
Vo	Output voltage		0		Vcc	V
Topr	Operating temperature range		-40		85	°C

ELECTRICAL CHARACTERISTICS**■5.0V version support specifications** (Ta=-40°C ~ 85°C, Vcc=4.5V ~ 5.5V, unless otherwise noted)

Symbol	Parameter		Test conditions	Limits			Unit
				Min.	Typ.	Max.	
VIH	"H" input voltage	XIN		0.8Vcc			V
		Other input		0.75Vcc			V
VIL	"L" input voltage	XIN				0.2Vcc	V
		Other input				0.25Vcc	V
VOH	"H" output voltage	PWM1~4	IoH=-4mA	Vcc-0.5			V
VOL	"L" output voltage	PWM1~4	IoL=4mA			0.5	V
IiH	"H" input current		Vi=Vcc			1.0	µA
IiL	"L" input current		Vi=GND			-1.0	µA
IoZH	Off-state "H" output current		Vo=Vcc			5.0	µA
IoZL	Off-state "L" output current		Vo=GND			-5.0	µA
Icc	Quiescent supply current		Vi=Vcc, GND, Output open			40	µA

■3.3V version support specifications (Ta=-40°C ~ 85°C, Vcc=3.0V ~ 3.6V, unless otherwise noted)

Symbol	Parameter		Test conditions	Limits			Unit
				Min.	Typ.	Max.	
VIH	"H" input voltage	XIN		0.8Vcc			V
		Other input		0.75Vcc			V
VIL	"L" input voltage	XIN				0.2Vcc	V
		Other input				0.25Vcc	V
VOH	"H" output voltage	PWM1~4	IoH=-2mA	Vcc-0.5			V
VOL	"L" output voltage	PWM1~4	IoL=2mA			0.5	V
IiH	"H" input current		Vi=Vcc			1.0	µA
IiL	"L" input current		Vi=GND			-1.0	µA
IoZH	Off-state "H" output current		Vo=Vcc			5.0	µA
IoZL	Off-state "L" output current		Vo=GND			-5.0	µA
Icc	Quiescent supply current		Vi=Vcc, GND, Output open			40	µA

SWITCHING CHARACTERISTICS

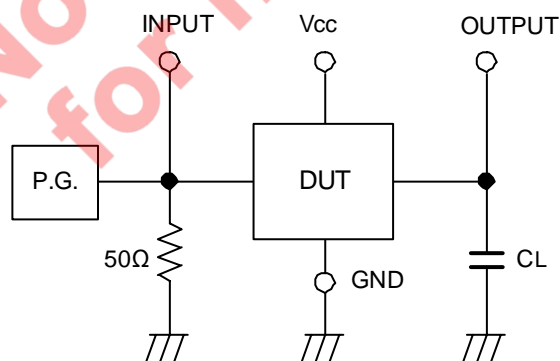
(Ta=-40°C ~ 85°C, Vcc=5.0V±0.5V or 3.3V±0.3V, unless otherwise noted)

Symbol	Parameter		Test conditions	5.0V specification			3.3V specification			Unit
				Min.	Typ.	Max.	Min.	Typ.	Max.	
fmax	Maximum clock frequency	XIN	CL=50pF (Note 1)			16			12.5	MHz
tPLH	Output "L-H", "H-L" propagation time	XIN-PWM1~4				100			100	ns
tPHL						100			100	ns

TIMING REQUIREMENTS (Ta=-40°C ~ 85°C, Vcc=5.0V±0.5V or 3.3V±0.3V, unless otherwise noted)

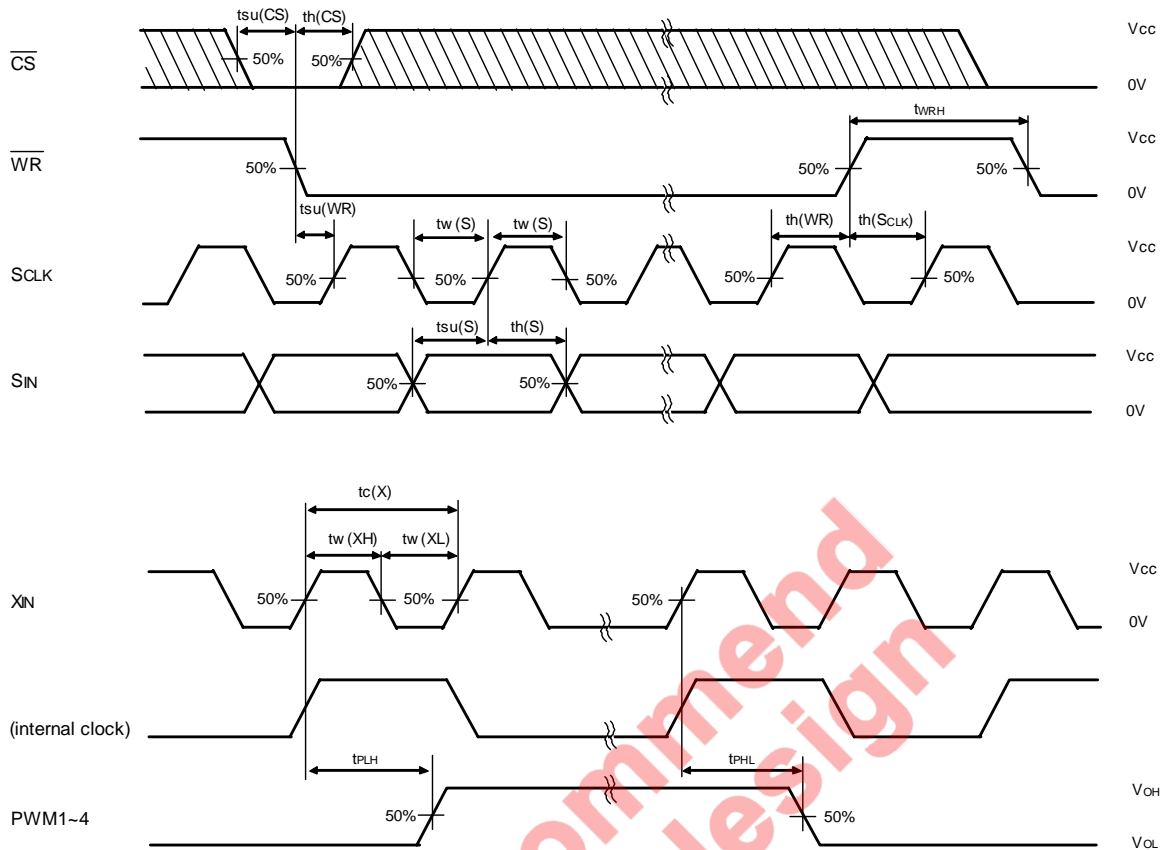
Symbol	Parameter	Test conditions	5.0V specification			3.3V specification			Unit
			Min.	Typ.	Max.	Min.	Typ.	Max.	
tc(X)	XIN cycle time		62.5			80			ns
tw(XH)	XIN "H" pulse width		32.5			40			ns
tw(XL)	XIN "L" pulse width		30			40			ns
tw(S)	SCLK pulse width		30			40			ns
twRH	WR "H" hold time		6tc(x)			6tc(x)			ns
tsu(CS)	CS "L" setup time before WR↓		30			40			ns
tsu(WR)	WR "L" setup time before SCLK↑		30			40			ns
tsu(S)	SIN setup time before SCLK↑		50			60			ns
th(CS)	CS "L" hold time after WR↓		30			40			ns
th(WR)	WR "L" hold time after SCLK↑		10			20			ns
th(S)	SIN hold time after SCLK↑		10			20			ns
th(SCLK)	SCLK hold time after WR↑		30			40			ns
tr	Input rise time				25			25	ns
tf	Input fall time				25			25	ns

Note 1. Test Circuit



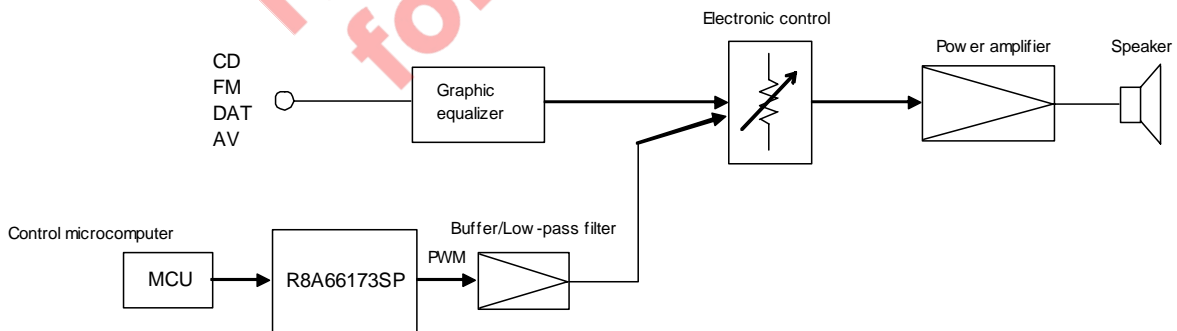
- (1) The pulse generator (PG) has the following characteristics. : tr=3ns, tf=3ns
- (2) The capacitance CL includes stray wiring capacitance and the probe input capacitance.

TIMING CHARTS



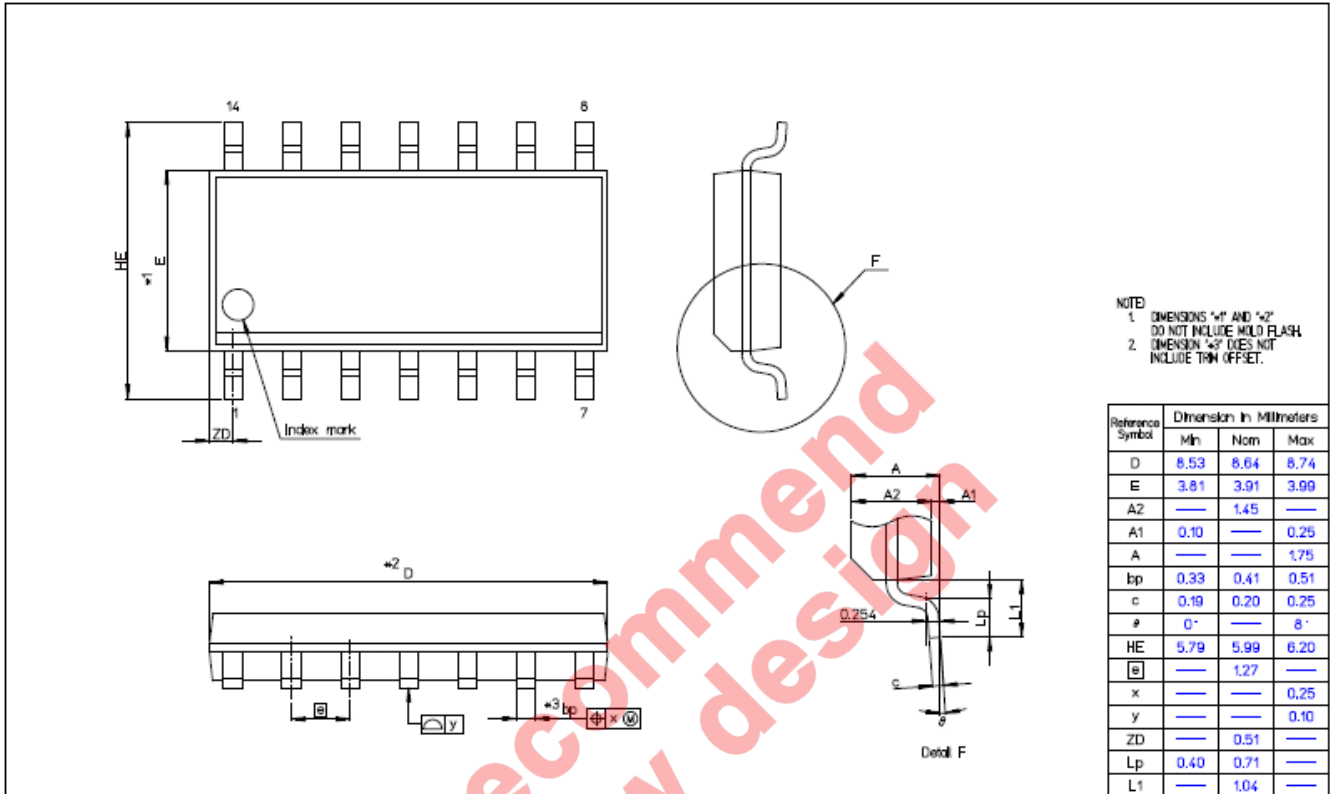
Note 2. (1) Shaded portions indicate that switching is possible during those periods.
 (2) PWM outputs 1 to 4 change synchronously with internal clock signals Φ .
 The frequency of these signals is the 1/2 divider of the frequency input from XIN.

APPLICATION EXAMPLE (Combination with electronic control for amplifier system)



PACKAGE OUTLINE

Package	RENESAS Code	Previous Code
14pin SOP	PRSP0014DG-A	14P2X-B



All trademarks and registered trademarks are the property of their respective owners.

Notes:

1. This document is provided for reference purposes only so that Renesas customers may select the appropriate Renesas products for their use. Renesas neither makes warranties or representations with respect to the accuracy or completeness of the information contained in this document nor grants any license to any intellectual property rights or any other rights of Renesas or any third party with respect to the information in this document.
2. Renesas shall have no liability for damages or infringement of any intellectual property or other rights arising out of the use of any information in this document, including, but not limited to, product data, diagrams, charts, programs, algorithms, and application circuit examples.
3. You should not use the products or the technology described in this document for the purpose of military applications such as the development of weapons of mass destruction or for the purpose of any other military use. When exporting the products or technology described herein, you should follow the applicable export control laws and regulations, and procedures required by such laws and regulations.
4. All information included in this document such as product data, diagrams, charts, programs, algorithms, and application circuit examples, is current as of the date this document is issued. Such information, however, is subject to change without any prior notice. Before purchasing or using any Renesas products listed in this document, please confirm the latest product information with a Renesas sales office. Also, please pay regular and careful attention to additional and different information to be disclosed by Renesas such as that disclosed through our website. (<http://www.renesas.com>)
5. Renesas has used reasonable care in compiling the information included in this document, but Renesas assumes no liability whatsoever for any damages incurred as a result of errors or omissions in the information included in this document.
6. When using or otherwise relying on the information in this document, you should evaluate the information in light of the total system before deciding about the applicability of such information to the intended application. Renesas makes no representations, warranties or guarantees regarding the suitability of its products for any particular application and specifically disclaims any liability arising out of the application and use of the information in this document or Renesas products.
7. With the exception of products specified by Renesas as suitable for automobile applications, Renesas products are not designed, manufactured or tested for applications or otherwise in systems the failure or malfunction of which may cause a direct threat to human life or create a risk of human injury or which require especially high quality and reliability such as safety systems, or equipment or systems for transportation and traffic, healthcare, combustion control, aerospace and aeronautics, nuclear power, or undersea communication transmission. If you are considering the use of our products for such purposes, please contact a Renesas sales office beforehand. Renesas shall have no liability for damages arising out of the uses set forth above.
8. Notwithstanding the preceding paragraph, you should not use Renesas products for the purposes listed below:
 - (1) artificial life support devices or systems
 - (2) surgical implantations
 - (3) healthcare intervention (e.g., excision, administration of medication, etc.)
 - (4) any other purposes that pose a direct threat to human lifeRenesas shall have no liability for damages arising out of the uses set forth in the above and purchasers who elect to use Renesas products in any of the foregoing applications shall indemnify and hold harmless Renesas Technology Corp., its affiliated companies and their officers, directors, and employees against any and all damages arising out of such applications.
9. You should use the products described herein within the range specified by Renesas, especially with respect to the maximum rating, operating supply voltage range, movement power voltage range, heat radiation characteristics, installation and other product characteristics. Renesas shall have no liability for malfunctions or damages arising out of the use of Renesas products beyond such specified ranges.
10. Although Renesas endeavors to improve the quality and reliability of its products, IC products have specific characteristics such as the occurrence of failure at a certain rate and malfunctions under certain use conditions. Please be sure to implement safety measures to guard against the possibility of physical injury, and injury or damage caused by fire in the event of the failure of a Renesas product, such as safety design for hardware and software including but not limited to redundancy, fire control and malfunction prevention, appropriate treatment for aging degradation or any other applicable measures. Among others, since the evaluation of microcomputer software alone is very difficult, please evaluate the safety of the final products or system manufactured by you.
11. In case Renesas products listed in this document are detached from the products to which the Renesas products are attached or affixed, the risk of accident such as swallowing by infants and small children is very high. You should implement safety measures so that Renesas products may not be easily detached from your products. Renesas shall have no liability for damages arising out of such detachment.
12. This document may not be reproduced or duplicated, in any form, in whole or in part, without prior written approval from Renesas.
13. Please contact a Renesas sales office if you have any questions regarding the information contained in this document, Renesas semiconductor products, or if you have any other inquiries.



RENESAS SALES OFFICES

<http://www.renesas.com>

Refer to "<http://www.renesas.com/en/network>" for the latest and detailed information.

Renesas Technology America, Inc.
450 Holger Way, San Jose, CA 95134-1368, U.S.A
Tel: <1> (408) 382-7500, Fax: <1> (408) 382-7501

Renesas Technology Europe Limited
Dukes Meadow, Millboard Road, Bourne End, Buckinghamshire, SL8 5FH, U.K.
Tel: <44> (1628) 585-100, Fax: <44> (1628) 585-900

Renesas Technology (Shanghai) Co., Ltd.
Unit 204, 205, AZIACenter, No.1233 Lujiazui Ring Rd, Pudong District, Shanghai, China 200120
Tel: <86> (21) 5877-1818, Fax: <86> (21) 6887-7858/7898

Renesas Technology Hong Kong Ltd.
7th Floor, North Tower, World Finance Centre, Harbour City, Canton Road, Tsimshatsui, Kowloon, Hong Kong
Tel: <852> 2265-6688, Fax: <852> 2377-3473

Renesas Technology Taiwan Co., Ltd.
10th Floor, No.99, Fushing North Road, Taipei, Taiwan
Tel: <886> (2) 2715-2888, Fax: <886> (2) 3518-3399

Renesas Technology Singapore Pte. Ltd.
1 Harbour Front Avenue, #06-10, Keppel Bay Tower, Singapore 098632
Tel: <65> 6213-0200, Fax: <65> 6278-8001

Renesas Technology Korea Co., Ltd.
Kukje Center Bldg. 18th Fl., 191, 2-ka, Hangang-ro, Yongsan-ku, Seoul 140-702, Korea
Tel: <82> (2) 796-3115, Fax: <82> (2) 796-2145

Renesas Technology Malaysia Sdn. Bhd
Unit 906, Block B, Menara Amcorp, Amcorp Trade Centre, No.18, Jln Persiaran Barat, 46050 Petaling Jaya, Selangor Darul Ehsan, Malaysia
Tel: <603> 7955-9390, Fax: <603> 7955-9510