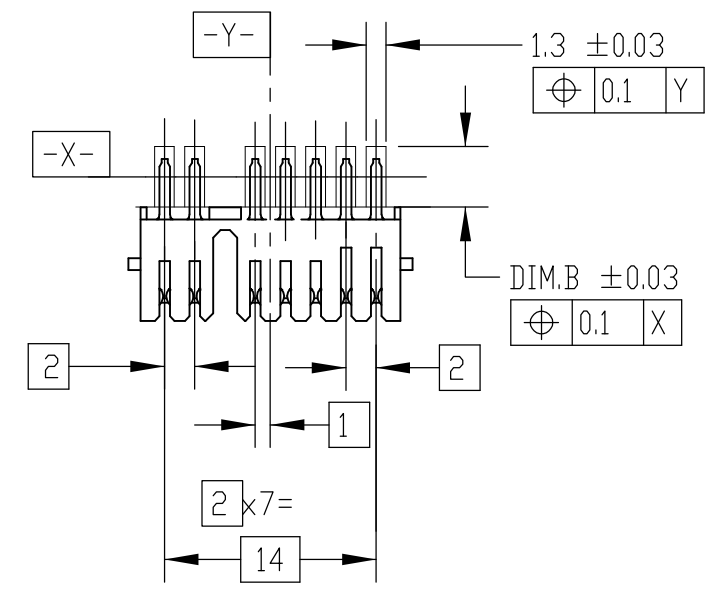
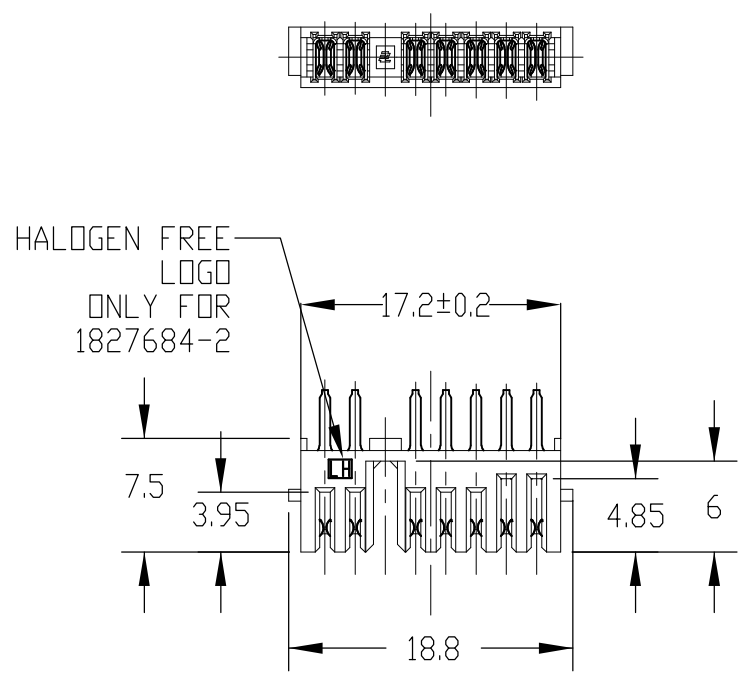


THIS DRAWING IS UNPUBLISHED. RELEASED FOR PUBLICATION 20  
 © COPYRIGHT 20 - ALL RIGHTS RESERVED.

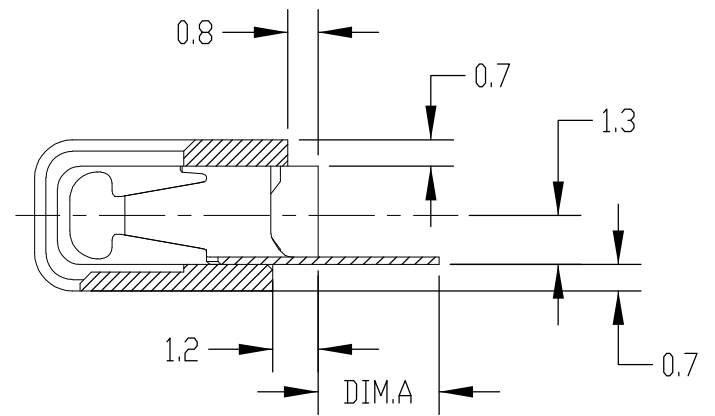
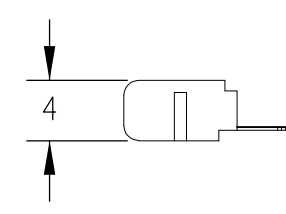
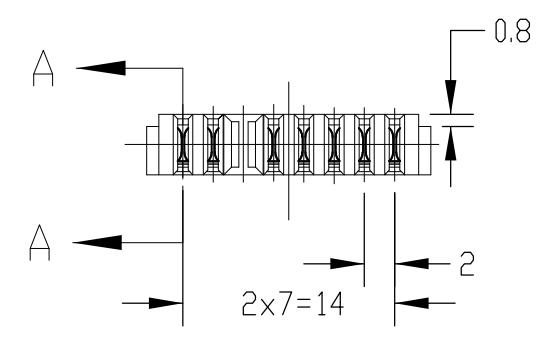
LOC	DIST	REVISIONS			
P	LTR	DESCRIPTION	DATE	DWN	APVD
ES	-				
	C1	REVISED PER ECD-11-005033	16APR2011	RK	HMR
	D	REVISED	06JAN2012	Y.W	S.K
	D1	REVISED PER ECD-13-009541	07JUN2013	R.W	S.Y



REFERENCE P.C BOARD LAYOUT  
 P.C.BOARD THK. 0.8~1.2  
 (VIEW FROM CONNECTOR MOUNTING SIDE)

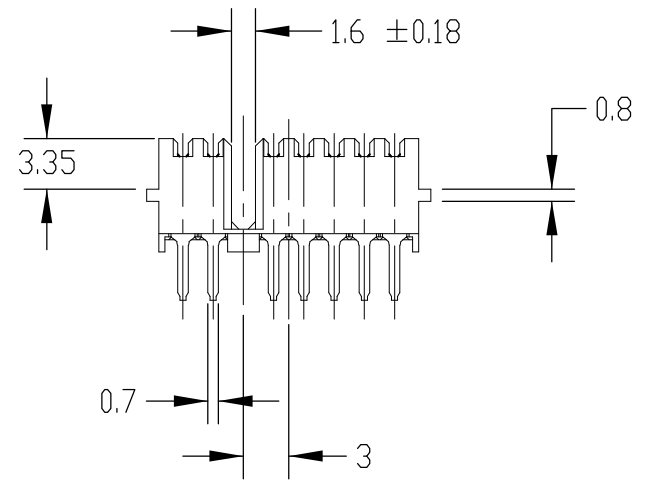
- 1 MATERIAL  
 CONTACT COPPER ALLOY  
 HOUSING THERMOPLASTIC RESINdUL94V-0 BLACK
- 2 FINISH  
 CONTACT NICKEL ALL OVER UNDER PLATING,  
 GOLD PLATING AT CONTACT AREA,  
 TIN PLATING AT LEAD AREA,

SMT TYPE



A-A  
 SCALE 5:1

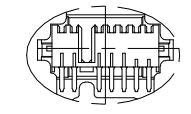
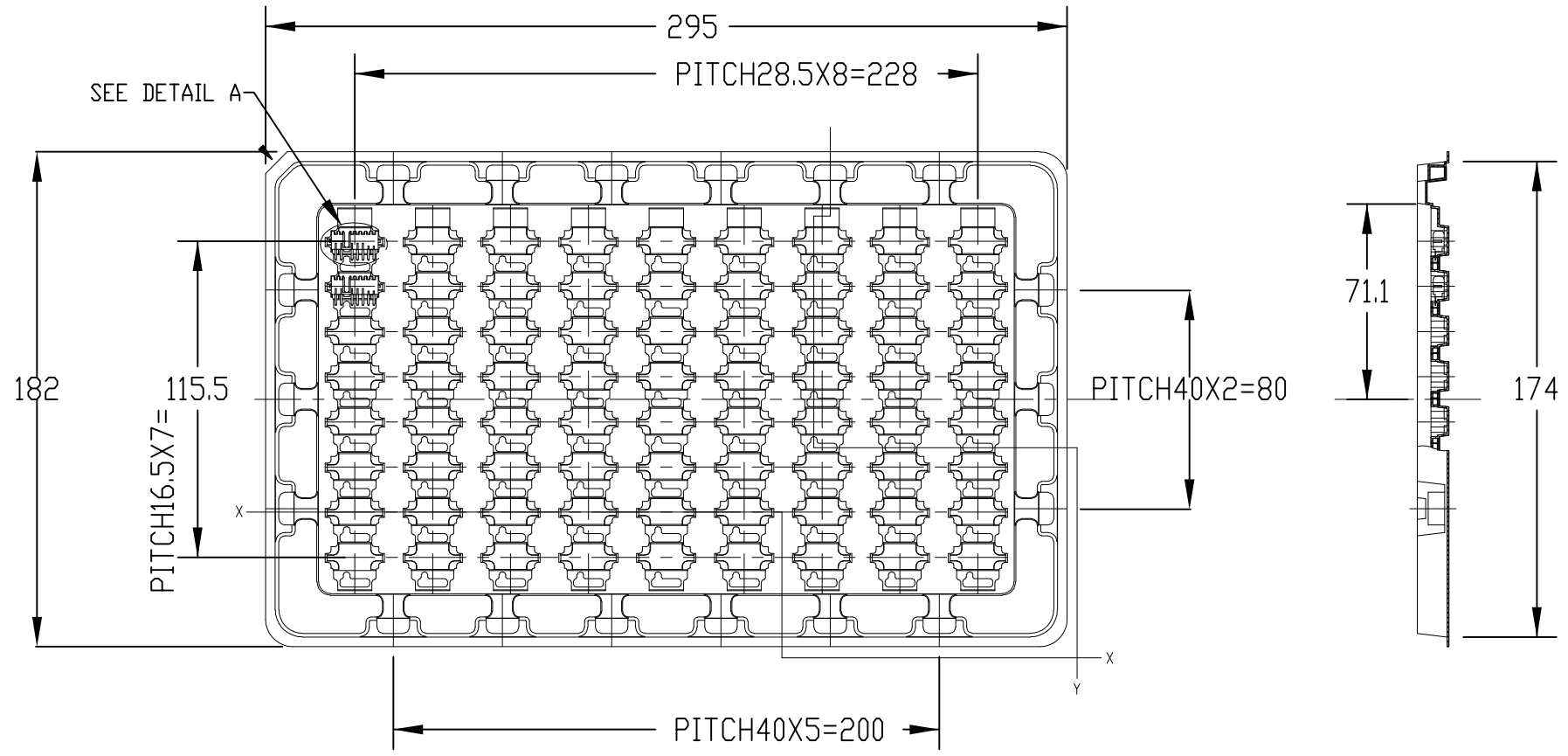
THERMOPLASTIC RESIN(HALOGEN FREE)	2.60	1.80	1-1827684-3
THERMOPLASTIC RESIN(HALOGEN FREE)	4.0	3.20	1-1827684-2
THERMOPLASTIC RESIN(HALOGEN FREE)	2.60	1.80	1827684-3
THERMOPLASTIC RESIN(HALOGEN FREE)	4.0	3.20	1827684-2
THERMOPLASTIC RESIN	4.0	3.20	1827684-1
HOUSING MATERIAL	DIM,B	DIM,A	P/N



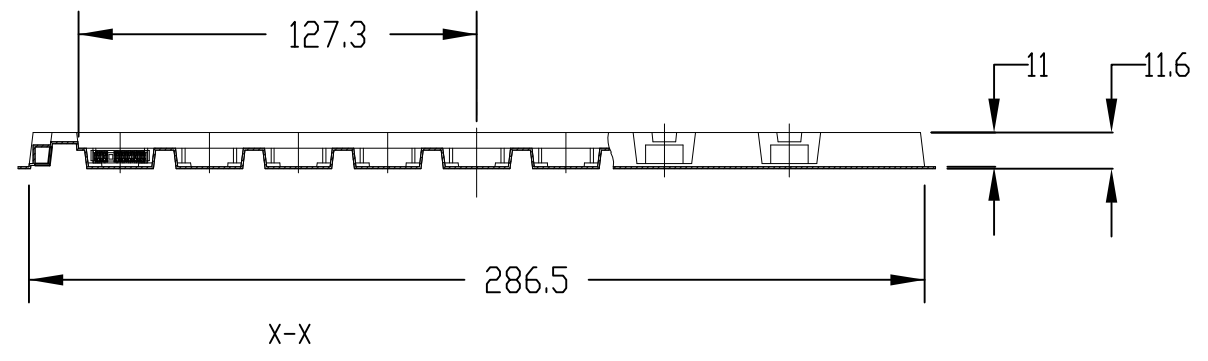
THIS DRAWING IS A CONTROLLED DOCUMENT.		DWN T.KATANO 04JUL05		
DIMENSIONS: mm		CHK T.KIMURA 04JUL05		
TOLERANCES UNLESS OTHERWISE SPECIFIED: ±0.3		APVD T.KIMURA 04JUL05		
0-PLC ± 1-PLC ±0.1 2-PLC ±0.01 3-PLC ±0.001 4-PLC ±0.0001 ANGLES ±3 FINISH		PRODUCT SPEC 108-78292		
MATERIAL 1		APPLICATION SPEC -	NAME RECEPTACLE ASSEMBLY 7POS. 2mm PITCH BATTERY CONNECTOR	
FINISH 2		WEIGHT 0.7g	SIZE A3	RESTRICTED TO -
		CUSTOMER DRAWING	CAGE CODE 00779	DRAWING NO C=1827684
		SCALE 2:1	SHEET 1 OF 2	REV D1

THIS DRAWING IS UNPUBLISHED. RELEASED FOR PUBLICATION 20  
 © COPYRIGHT 20 - ALL RIGHTS RESERVED.

LOC	DIST	REVISIONS			
P	LTR	DESCRIPTION	DATE	DWN	APVD
ES	-	SEE SHEET 1	-	-	-



DETAIL A  
SCALE 1:1



1. 72PCS/TRAY

THIS DRAWING IS A CONTROLLED DOCUMENT.		DWN	T.KATANO	04 JUL 05		TE Connectivity											
DIMENSIONS: mm		CHK	T.KIMURA	04 JUL 05		NAME	RECEPTACLE ASSEMBLY 7POS. 2mm PITCH BATTERY CONNECTOR										
TOLERANCES UNLESS OTHERWISE SPECIFIED: ±0.3		APVD	T.KIMURA	04 JUL 05			SIZE	CAGE CODE	DRAWING NO								
0-PLC ± 1-PLC ±0.1 2-PLC ±0.01 3-PLC ±0.001 4-PLC ±0.0001 ANGLES ±3 FINISH -		PRODUCT SPEC	108-78292			RESTRICTED TO	-										
MATERIAL -		APPLICATION SPEC	-		WEIGHT	0.7g	A3	00779	C=1827684	SCALE	2:1	SHEET	2	OF	2	REV	D1
-		CUSTOMER DRAWING	-														

# Mouser Electronics

Authorized Distributor

Click to View Pricing, Inventory, Delivery & Lifecycle Information:

[TE Connectivity:](#)

[1827684-3](#)