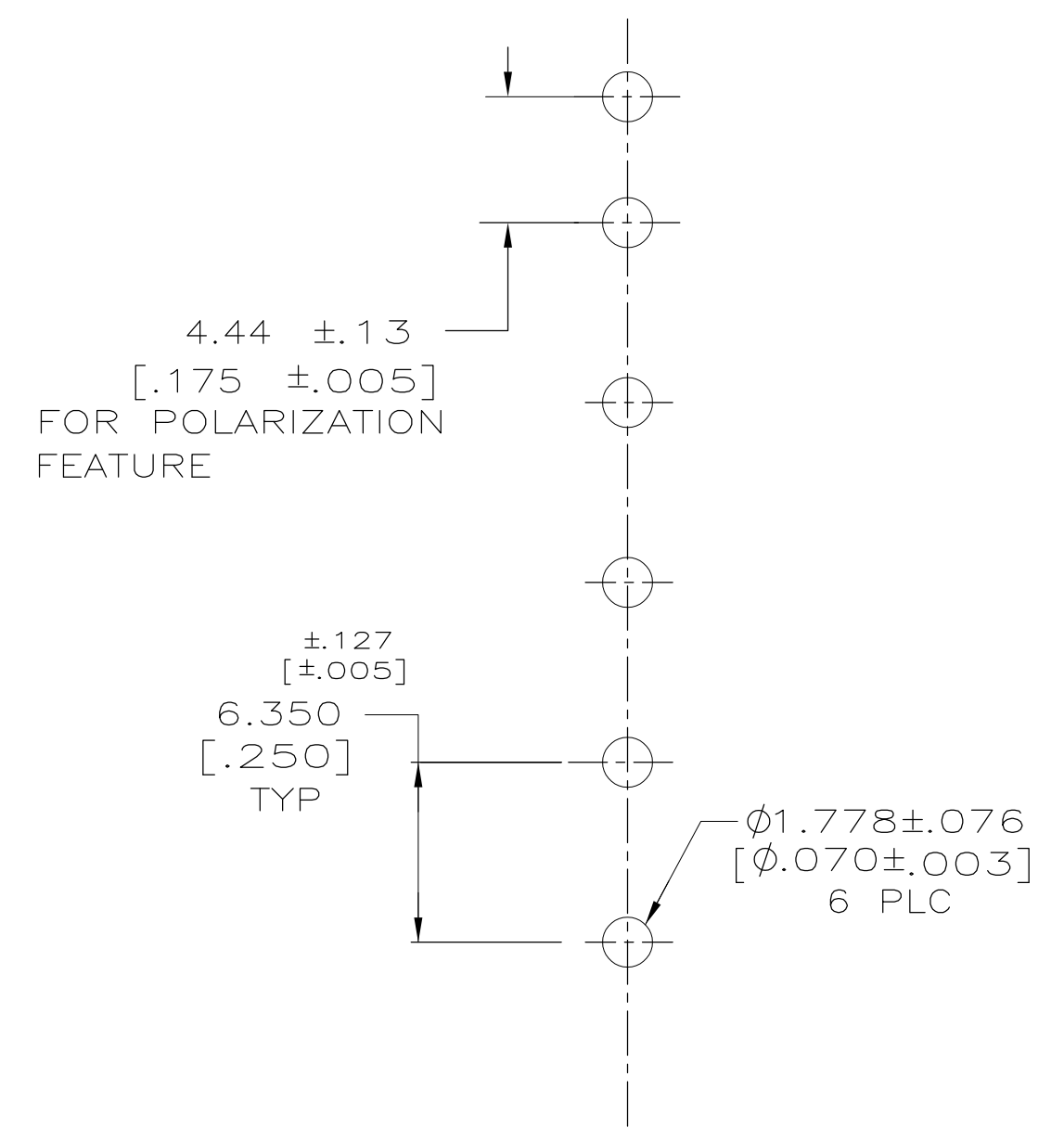
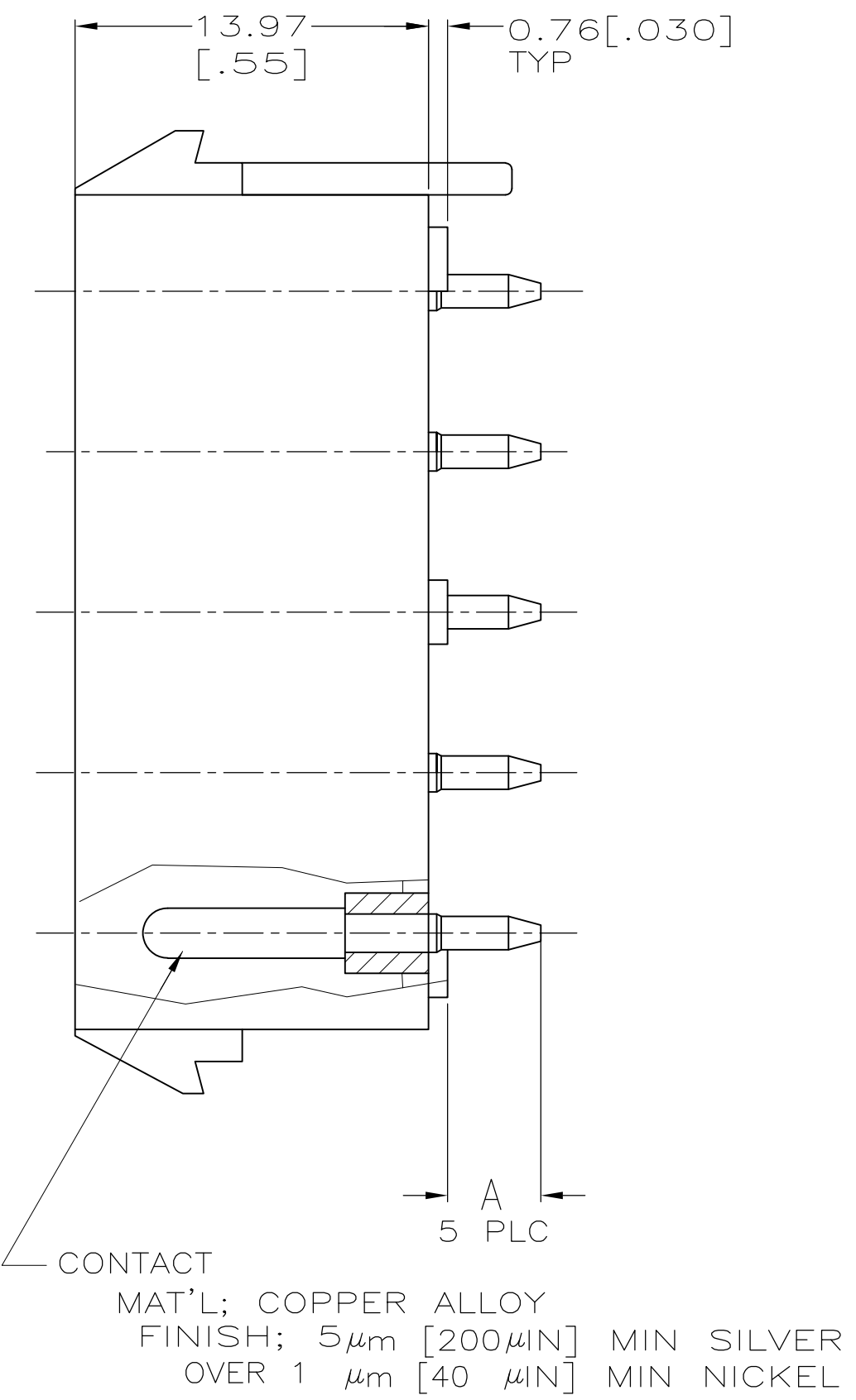
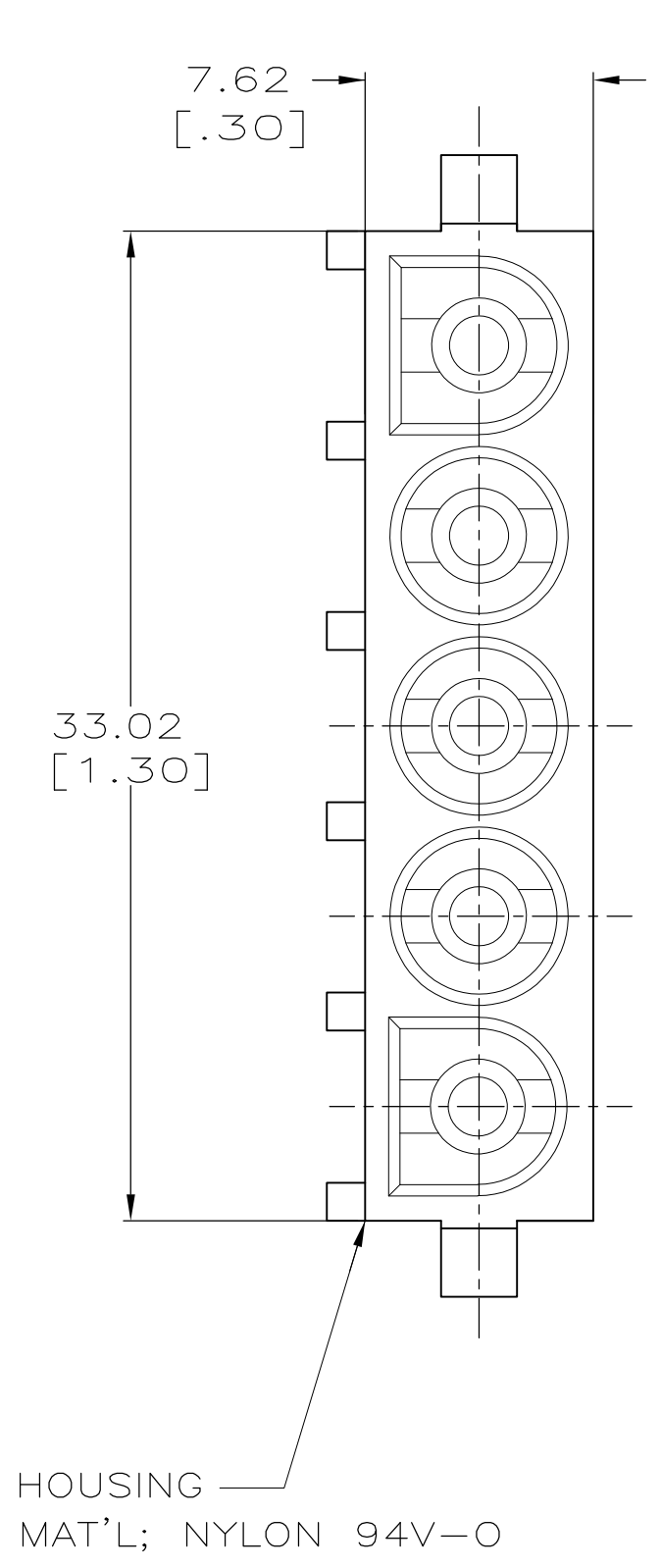


THIS DRAWING IS UNPUBLISHED. RELEASED FOR PUBLICATION .19
 © COPYRIGHT 19 BY AMP INCORPORATED. ALL RIGHTS RESERVED.

LOC	DIST	REVISIONS					
CH	11	P	LTR	DESCRIPTION	DATE	DWN	APVD
		B		ECN 96012402	24/JAN/96	RNP	PRG
		C		ECN 96071101	11/JUL/96	RNP	PRG
		D		EC OB20-1412-97	13/OCT/97	RNP	PRG
		E		EC OB20-0270-98	19/FEB/98	RNP	RAR
		F		EC OB20-0339-99	17/MAR/99	RNP	RAR
		F1		REVISED PER ECO-10-000443	13/JAN/10	KK	HMR

- MATES WITH MATE-N-LOK II PLUG CONNECTOR USING P/N 193797-1 SOCKET CONTACTS.
- ALL DIMENSIONS ARE REFERENCE ONLY EXCEPT P.C. LAYOUT.

3 OBSOLETE PARTS: OBSOLETE CIS STREAMLINING PER D.RENAUD/D.SINISI



RECOMMENDED LAYOUT FOR P.C. BOARD

3 OBSOLETE	3.55 [.140]	5.20 [.205]	194018-2
	1.57 [.062]	3.68 [.145]	194018-1
	PC BOARD THICKNESS	A DIM	PART NO.

<small>THIS DRAWING IS A CONTROLLED DOCUMENT FOR AMP INCORPORATED. IT IS SUBJECT TO CHANGE AND THE CONTROLLING ENGINEERING ORGANIZATION SHOULD BE CONTACTED FOR THE LATEST REVISION.</small>		DWN RNP 17/NOV/94 CHK - APVD - PRODUCT SPEC - APPLICATION SPEC - WEIGHT - CUSTOMER DRAWING	AMP AMP Incorporated Harrisburg, PA 17105-3608 HIGH CURRENT VERT. PIN HEADER ASSY, MATE-NLOK II, 5 CIRCUIT SIZE A2 CAGE CODE 00779 DRAWING NO. C-194018 SCALE - SHEET 1 OF 1 REV F1
DIMENSIONS: mm[in] 	TOLERANCES UNLESS OTHERWISE SPECIFIED: 0 PLC ±- 1 PLC ±- 2 PLC ±- 3 PLC ±- 4 PLC ±- ANGLES ±- FINISH -		

Mouser Electronics

Authorized Distributor

Click to View Pricing, Inventory, Delivery & Lifecycle Information:

[TE Connectivity:](#)

[194018-1](#)