

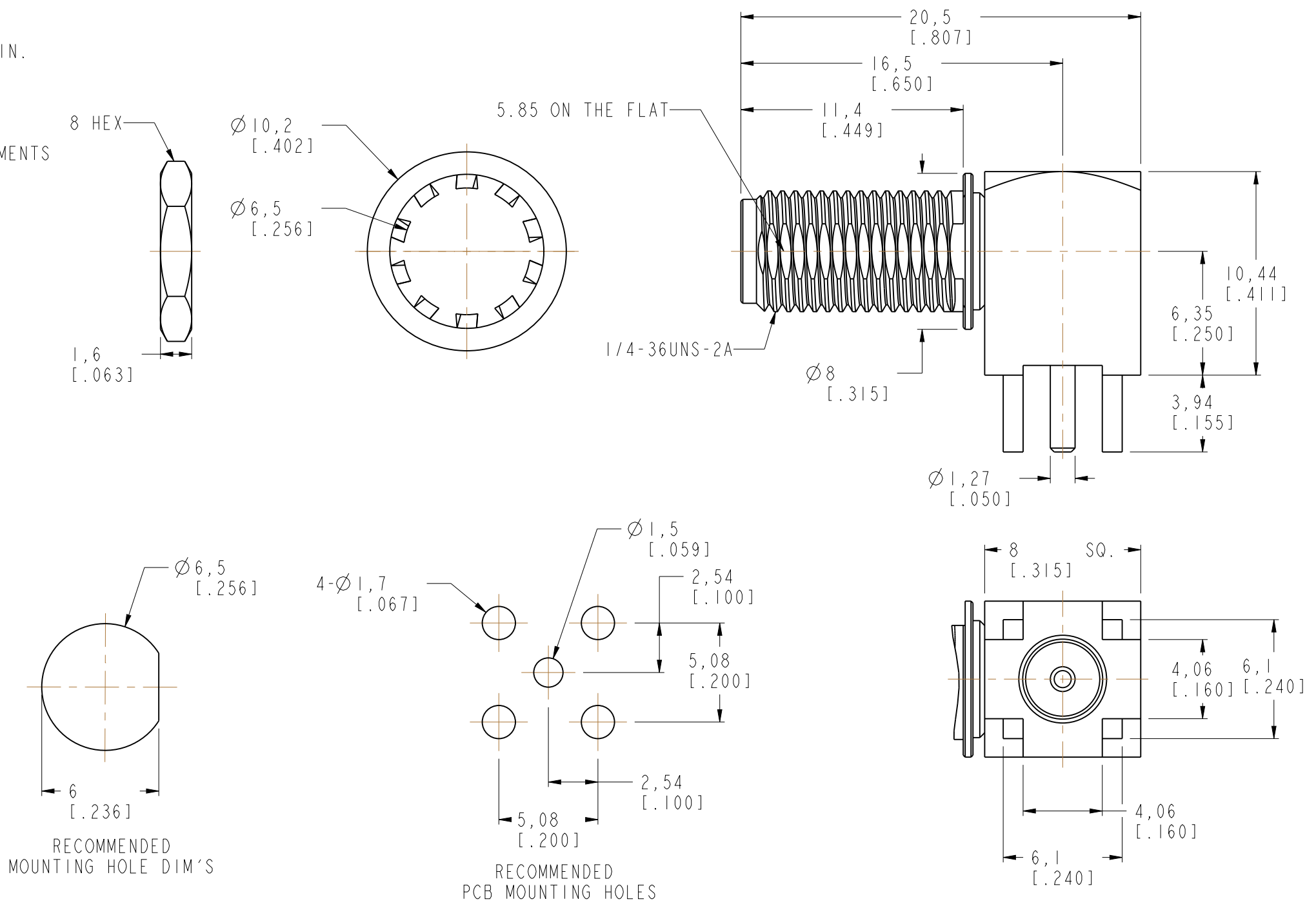
NOTES:

1. MATERIAL AND FINISH (PLATING THICKNESS IN MICRO-INCHES):
 - HOUSING WITH BODY - BRASS, GOLD PLATING (.000003 MIN. THICK)
 - CONTACT PIN - BRASS & BERYLLIUM COPPER, GOLD PLATING (.000005 MIN. THICK)
 - INSULATOR - PTFE, NATURAL
 - NUT & LOCK WASHER - BRASS, GOLD PLATING (.000003 MIN. THICK)
2. ELECTRICAL:
 - A. IMPEDANCE: 50 OHM
 - B. DIELECTRIC WITHSTANDING VOLTAGE: 500 VRMS. MIN.
3. MECHANICAL:
 - A. DURABILITY: 500 CYCLES MIN.
 - B. TEMPERATURE RANGE: -65°C TO + 165°C
4. MAX. PANEL THICKNESS 2.4mm
5. PACKAGING AND BARCODE LABELING PER SYMBOL REQUIREMENTS (SEE AMPHENOL 349-50728)

THIRD ANGLE PROJ.

REVISIONS

REV	DESCRIPTION	DATE	ECO	APPR
A	RELEASE TO MFG.	09-May-12		IX
C	HOUSING WITH BODY WAS CHANGED; SYNC UP THE REVISION WITH CONNEX/RD-DMI5031001S2	4/2/15	50459	



CUSTOMER OUTLINE DRAWING

ALL OTHER SHEETS ARE FOR INTERNAL USE ONLY

UNLESS OTHERWISE SPECIFIED, DIMENSIONS ARE IN METRIC AND TOLERANCES ARE: <0.5mm ±0.05mm 0.5 - 6mm ±0.1mm 6 - 30mm ±0.2mm 30 - 120mm ±0.3mm ANGLES ±1°	MATERIAL	DRAWN STAR	DATE 01-Apr-15	TITLE SMA R/A BULKHEAD P.C. MOUNT JACK	Amphenol Connex
	NOTICE - These drawings, specifications, or other data (1) are, and remain the property of Amphenol corp. (2) must be returned upon request; and (3) are confidential and not to be disclosed to any person other than those to whom they are given by Amphenol Corp. the furnishing of these drawings, specifications, or other data by Amphenol Corp., or to any other person to anyone for any purpose is not to be regarded by implication or otherwise in any manner licensing, granting rights to permitting such holder or any other person to manufacture, use or sell any product, process or design, patented or otherwise, that may in any way be related to or disclosed by said drawings, specifications, or other data.	REFERENCE SMA6252A9-3GT5GP-50	ENGINEER S.LI		
FINISH	APPROVED S.HSIEH	DATE 01-Apr-15	SCALE: 4.0:1.0	SHEET 3 OF 3	ITEM NO.
		CAD FILE	DWG SIZE B	REV C	PART NO. 132203

Mouser Electronics

Authorized Distributor

Click to View Pricing, Inventory, Delivery & Lifecycle Information:

[Amphenol:](#)

[132203](#)