

SINLOON®

閉磁式功率電感

Inductance Range: 10μH ~ 1000μH

TYPE: RH73/RH74 Series

SMT Shielded Power Inductors

SMT Shielded Power Inductors

RH73 Inductance Range 10μH ~ 1000μH

RH74 Inductance Range 10μH ~ 1000μH

□ Feature

- ◆ Magnetically shielded construction (閉磁路構造設計)
- ◆ Compact and thin (輕便薄小)
- ◆ Large Current and Low DCR (大電流低直流阻抗)

□ Applications

- ◆ DC-DC converter of portable equipment. (攜帶機器之直流轉換器)
- ◆ Camcorder, LCD television set, Digital camera, P.D.A., Notebook. (攝影機、液晶電視、數位相機、P.D.A.、筆記型電腦)

□ Figure



□ Ordering

Product Identification of Part Number

Type: Ex. RH73-100M

* See Product Part of Number

Tolerance: K ±10%; L ±15%; M ±20%; N ±30%

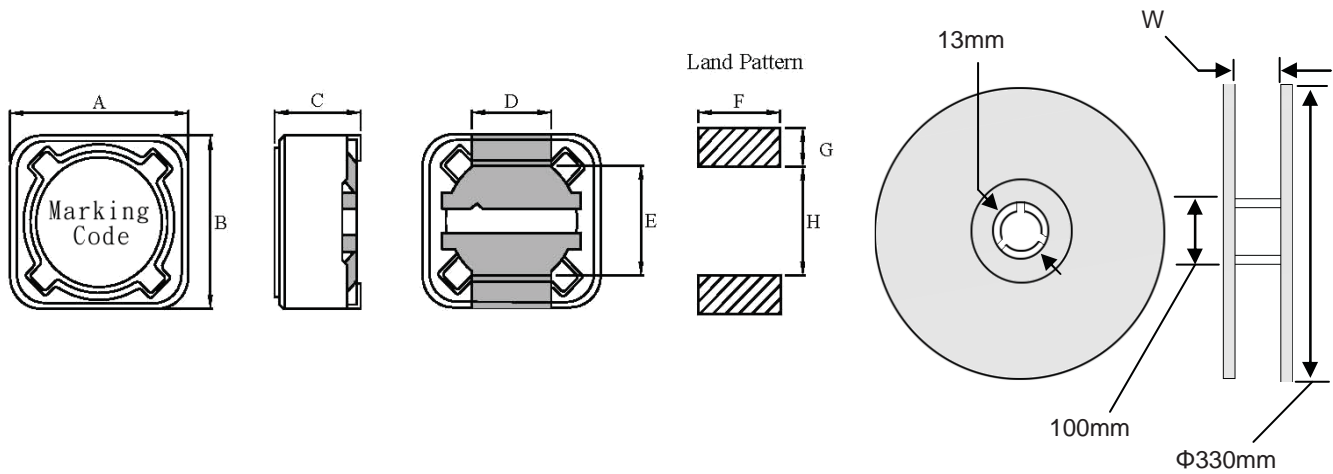
□ Configurations & Dimension

Unit:mm

TYPE	A (max)	B (max)	C (max)	D (max)	E (ref.)	F	G	H	W	Reel Tape Φ330mm
RH73	7.5	7.5	3.4	2.7±0.2	5.1±0.2	3.1	1.6	4.8	16.5	1000pcs
RH74	7.5	7.5	4.5	2.7±0.2	5.1±0.2	3.1	1.6	4.8	16.5	1000pcs

※Design as Customers Requested Specifications (可依特殊需求設計生產)

□ Reel Type Dimension



SINLOON®

※美隆公司產品規格及其特性參數的改變或更新恕不另行通知。

※Mayloon characteristic parameters of electronic product specification changes or updates without notice to improve



SINLOON®

閉磁式功率電感
Inductance Range: 10μH ~ 1000μH

TYPE: RH73/RH74 Series
SMT Shielded Power Inductors

□ Electrical Characteristics for RH73 Series

產品規格型號 Ordering Part Number	電感值(L) Inductance (μH)	測試頻率 Test Freq. (KHz)	直流阻抗 DCR (Ω) (max)	定格電流 IDC (A) (max)	字碼 Marking Code
RH73-100M	10	1	0.072	1.68	100
RH73-120M	12	1	0.098	1.52	120
RH73-150M	15	1	0.130	1.33	150
RH73-180M	18	1	0.140	1.20	180
RH73-220M	22	1	0.190	1.07	220
RH73-270M	27	1	21.000	0.96	270
RH73-330M	33	1	0.240	0.91	330
RH73-390M	39	1	0.320	0.77	390
RH73-470M	47	1	0.360	0.76	470
RH73-560M	56	1	0.470	0.68	560
RH73-680M	68	1	0.520	0.61	680
RH73-820M	82	1	0.690	0.57	820
RH73-101M	100	1	0.790	0.50	101
RH73-121M	120	1	0.890	0.49	121
RH73-151M	150	1	1.270	0.43	151
RH73-181M	180	1	1.450	0.39	181
RH73-221M	220	1	1.650	0.35	221
RH73-271M	270	1	2.310	0.32	271
RH73-331M	330	1	2.620	0.28	331
RH73-391M	390	1	2.940	0.26	391
RH73-471M	470	1	4.180	0.24	471
RH73-561M	560	1	4.670	0.22	561
RH73-681M	680	1	5.730	0.19	681
RH73-821M	820	1	6.540	0.18	821
RH73-102M	1000	1	9.440	0.16	102

- ※ Test Frequency: 1KHz / 0.25V
- ※ Operating Temperature: -40°C ~ +85°C
- ※ Inductance drop : 10% typ at IDC.



□ Electrical Characteristics for RH74 Series

Unit: mm

產品規格型號 Ordering Part Number	電感值(L) Inductance (μH)	測試頻率 Test Freq. (KHz)	直流阻抗 DCR (Ω) (max)	定格電流 IDC (A) (max)	字碼 Marking Code
RH74-100M	10	1	0.072	1.68	100
RH74-120M	12	1	0.098	1.52	120
RH74-150M	15	1	0.130	1.33	150
RH74-180M	18	1	0.140	1.20	180
RH74-220M	22	1	0.190	1.07	220
RH74-270M	27	1	21.000	0.96	270
RH74-330M	33	1	0.240	0.91	330
RH74-390M	39	1	0.320	0.77	390
RH74-470M	47	1	0.360	0.76	470
RH74-560M	56	1	0.470	0.68	560
RH74-680M	68	1	0.520	0.61	680
RH74-820M	82	1	0.690	0.57	820
RH74-101M	100	1	0.790	0.50	101
RH74-121M	120	1	0.890	0.49	121
RH74-151M	150	1	1.270	0.43	151
RH74-181M	180	1	1.450	0.39	181
RH74-221M	220	1	1.650	0.35	221
RH74-271M	270	1	2.310	0.32	271
RH74-331M	330	1	2.620	0.28	331
RH74-391M	390	1	2.940	0.26	391
RH74-471M	470	1	4.180	0.24	471
RH74-561M	560	1	4.670	0.22	561
RH74-681M	680	1	5.730	0.19	681
RH74-821M	820	1	6.540	0.18	821
RH74-201M	1000	1	9.440	0.16	102

- ※ Test Frequency: 1KHz / 0.25V
- ※ Operating Temperature: -40°C ~ +85°C
- ※ Inductance drop : 10% typ at IDC
- ※ Design as Customers Requested Specifications (可依特殊需求設計生產)



※美隆公司產品規格及其特性參數的改變或更新恕不另行通知。

※Mayloon characteristic parameters of electronic product specification changes or updates without notice to improve