

# FL7732

## Single-Stage PFC Primary-Side-Regulation Offline LED Driver

### Features

- Cost-Effective Solution: No Input Bulk Capacitor or Feedback Circuitry
- Power Factor Correction
- Accurate Constant-Current (CC) Control, Independent Online Voltage, Output Voltage, and Magnetizing Inductance Variation
- Linear Frequency Control Improves Efficiency and Simplifies Design
- Open-LED Protection
- Short-LED Protection
- Cycle-by-Cycle Current Limiting
- Over-Temperature Protection with Auto Restart
- Low Startup Current: 20  $\mu$ A
- Low Operating Current: 5 mA
- $V_{DD}$  Under-Voltage Lockout (UVLO)
- Gate Output Maximum Voltage Clamped at 18 V
- SOP-8 Package
- Application Voltage Range: 80  $V_{AC}$  ~ 308  $V_{AC}$

### Applications

- LED Lighting System

### Description

This highly integrated PWM controller provides several features to enhance the performance of low-power flyback converters. The proprietary topology, TRUECURRENT® enables simplified circuit design for LED lighting applications.

By using single-stage topology with primary-side regulation, a LED lighting board can be implemented with few external components and minimized cost. No input bulk capacitor or feedback circuitry is required. To implement good power factor and low THD, constant on-time control is utilized with an external capacitor connected to the COM1 pin.

Precise constant-current control regulates accurate output current versus changes in input voltage and output voltage. The operating frequency is proportionally adjusted by the output voltage to guarantee DCM operation with higher efficiency and simpler design.

FL7732 provides open-LED, short-LED, and over-temperature protection features. The current limit level is automatically reduced to minimize output current and protect external components in a short-LED condition.

The FL7732 controller is available in an 8-pin Small-Outline Package (SOP).

### Ordering Information

Part Number	Operating Temperature Range	Package	Packing Method
FL7732M_F116	-40°C to +125°C	8-Lead, Small Outline Integrated Circuit Package (SOIC)	Tape & Reel

*This product is not recommended for shipping into the United States. It may be subject to court injunction. See <http://www.fairchildsemi.com/about-fairchild/media-center/litigation>.*

### Application Diagram

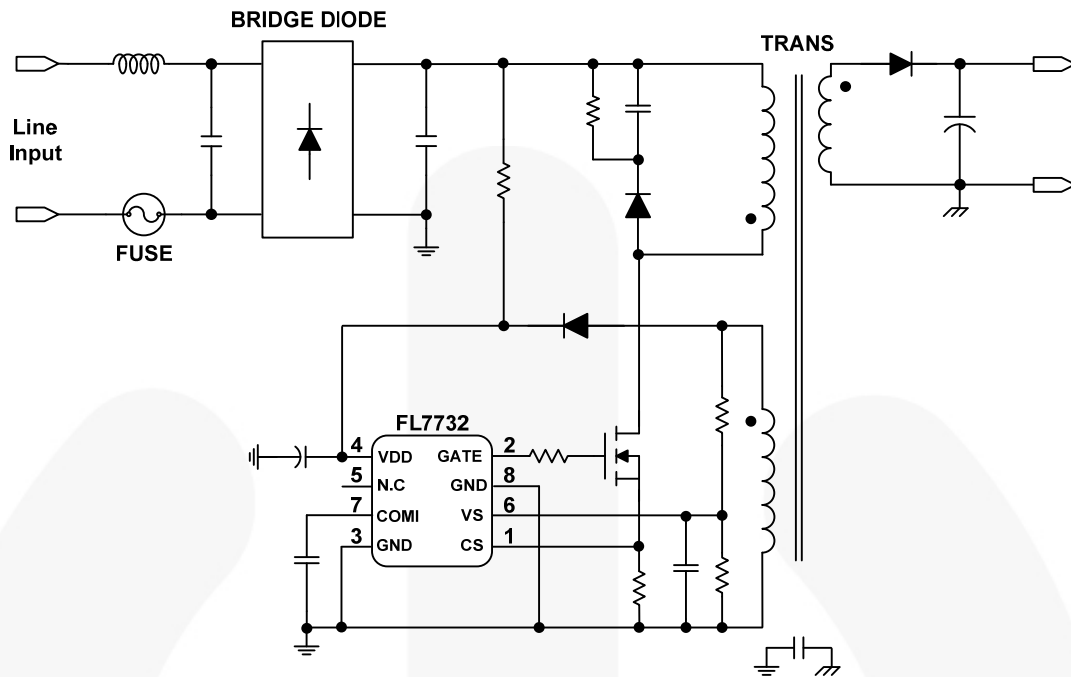


Figure 1. Typical Application

### Internal Block Diagram

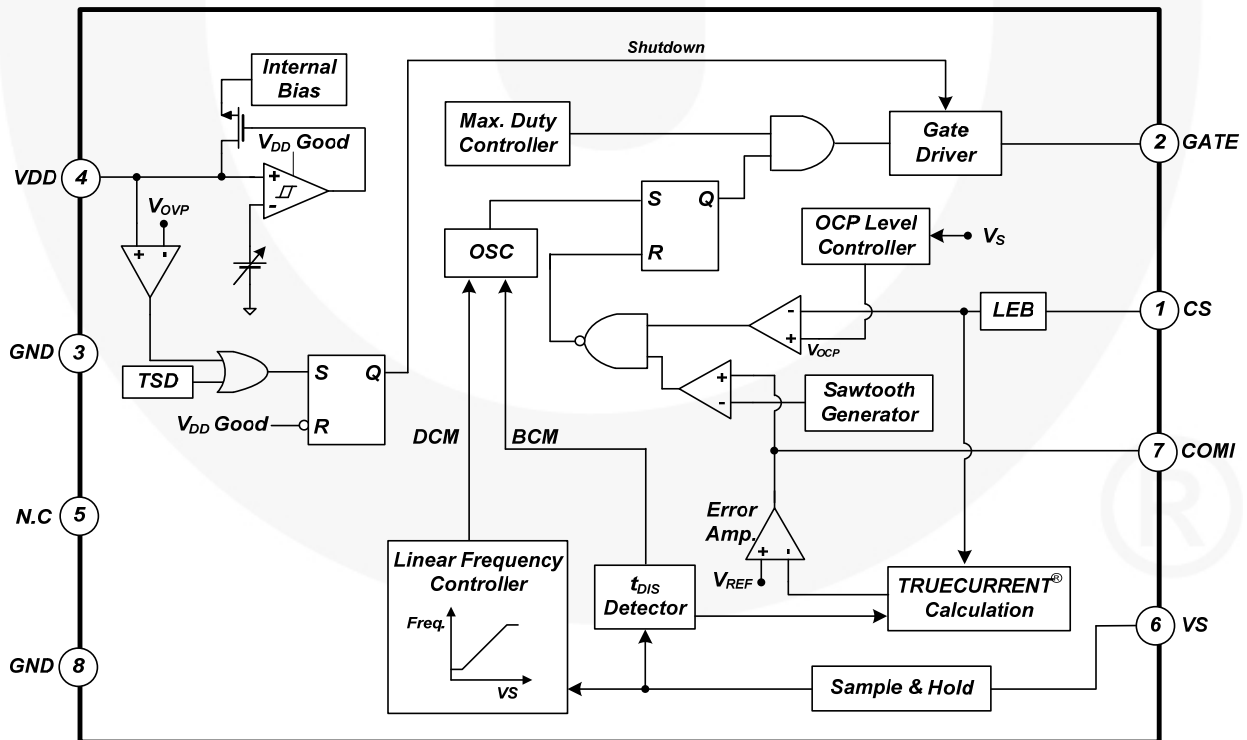
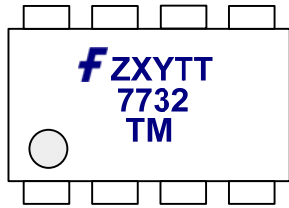


Figure 2. Functional Block Diagram

## Marking Information



F: Fairchild Logo  
 Z: Plant Code  
 X: 1-Digit Year Code  
 Y: 1-Digit Week Code  
 TT: 2-Digit Die Run Code  
 T: Package Type (M=SOP)  
 M: Manufacture Flow Code

Figure 3. Top Mark

## Pin Configuration

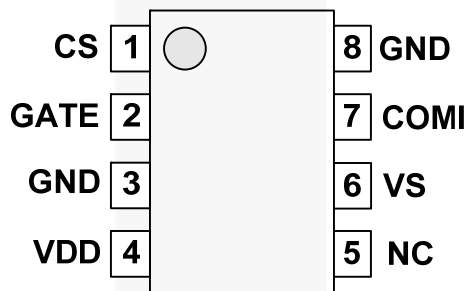


Figure 4. Pin Configuration

## Pin Definitions

Pin #	Name	Description
1	CS	<b>Current Sense.</b> This pin connects a current-sense resistor to detect the MOSFET current for the output-current regulation in constant-current regulation.
2	GATE	<b>PWM Signal Output.</b> This pin uses the internal totem-pole output driver to drive the power MOSFET.
3	GND	Ground
4	VDD	<b>Power Supply.</b> IC operating current and MOSFET driving current are supplied using this pin.
5	NC	No Connect
6	VS	<b>Voltage Sense.</b> This pin detects the output voltage information and discharge time for maximum frequency control and constant current regulation. This pin is connected to an auxiliary winding of the transformer via resistors of the divider.
7	COMI	<b>Constant Current Loop Compensation.</b> This pin is connected to a capacitor between the COMI and GND pin for compensation current loop gain.
8	GND	Ground

## Absolute Maximum Ratings

Stresses exceeding the absolute maximum ratings may damage the device. The device may not function or be operable above the recommended operating conditions and stressing the parts to these levels is not recommended. In addition, extended exposure to stresses above the recommended operating conditions may affect device reliability. The absolute maximum ratings are stress ratings only.

Symbol	Parameter	Min.	Max.	Unit
V <sub>VDD</sub>	DC Supply Voltage <sup>(1,2)</sup>		30	V
V <sub>VS</sub>	VS Pin Voltage	-0.3	7	V
V <sub>CS</sub>	CS Pin Input Voltage	-0.3	7	V
V <sub>COMI</sub>	COMI Pin Input Voltage	-0.3	7	V
V <sub>GATE</sub>	GATE Pin Input Voltage	-0.3	30	V
P <sub>D</sub>	Power Dissipation (T <sub>A</sub> < 50°C)		633	mW
Θ <sub>JA</sub>	Thermal Resistance (Junction-to-Air)		158	°C /W
Θ <sub>JC</sub>	Thermal Resistance (Junction-to-Case)		39	°C /W
T <sub>J</sub>	Maximum Junction Temperature		150	°C
T <sub>STG</sub>	Storage Temperature Range	-55	150	°C
T <sub>L</sub>	Lead Temperature (Soldering 10 s)		260	°C

### Notes:

1. Stresses beyond those listed under Absolute Maximum Ratings may cause permanent damage to the device.
2. All voltage values, except differential voltages, are given with respect to the GND pin.

## Electrical Characteristics

$V_{DD}=15\text{ V}$  and  $T_A=25^\circ\text{C}$ , unless otherwise specified.

Symbol	Parameter	Condition	Min.	Typ.	Max.	Unit
<b>V<sub>DD</sub> Section</b>						
V <sub>DD-ON</sub>	Turn-On Threshold Voltage		14.5	16.0	17.5	V
V <sub>DD-OFF</sub>	Turn-Off Threshold Voltage		6.75	7.75	8.75	V
I <sub>DD-OP</sub>	Operating Current	At Maximum Frequency C <sub>L</sub> =1 nF	3	4	5	mA
I <sub>DD-ST</sub>	Startup Current	V <sub>DD</sub> =V <sub>DD-ON</sub> - 0.16 V		2	20	μA
V <sub>OVP</sub>	V <sub>DD</sub> Over-Voltage-Protection Level		22.0	23.5	25.0	V
<b>Gate Section</b>						
V <sub>OL</sub>	Output Voltage Low	V <sub>DD</sub> =20 V, I <sub>GATE</sub> =-1 mA			1.5	V
V <sub>OH</sub>	Output Voltage High	V <sub>DD</sub> =10 V, I <sub>GATE</sub> =+1 mA	5			V
I <sub>source</sub>	Peak Sourcing Current	V <sub>DD</sub> =10 ~ 20 V		60		mA
I <sub>sink</sub>	Peak Sinking Current	V <sub>DD</sub> =10 ~ 20 V		180		mA
t <sub>r</sub>	Rising Time	C <sub>L</sub> =1 nF	100	150	200	ns
t <sub>f</sub>	Falling Time	C <sub>L</sub> =1 nF	20	60	100	ns
V <sub>CLAMP</sub>	Output Clamp Voltage		12	15	18	V
<b>Oscillator Section</b>						
f <sub>MAX-CC</sub>	Maximum Frequency in CC	V <sub>DD</sub> =10 V, 20 V	60	65	70	kHz
f <sub>MIN-CC</sub>	Minimum Frequency in CC	V <sub>DD</sub> =10 V, 20 V	21.0	23.5	26.0	kHz
V <sub>S MAX-CC</sub>	V <sub>S</sub> for Maximum Frequency in CC	f=f <sub>MAX</sub> -2 kHz	2.25	2.35	2.45	V
V <sub>S MIN-CC</sub>	V <sub>S</sub> for Minimum Frequency in CC	f=f <sub>MIN</sub> +2 kHz	0.55	0.85	1.15	V
t <sub>ON(MAX)</sub>	Maximum Turn-On Time		12	14	16	μs
<b>Current-Sense Section</b>						
V <sub>RV</sub>	Reference Voltage		2.475	2.500	2.525	V
V <sub>CCR</sub>	EAI Voltage for CC Regulation	V <sub>CS</sub> =0.44 V	2.38	2.43	2.48	V
t <sub>LEB</sub>	Leading-Edge Blanking Time			300		ns
t <sub>MIN</sub>	Minimum On Time in CC	V <sub>COMI</sub> =0 V		600		ns
t <sub>PD</sub>	Propagation Delay to GATE		50	100	150	ns
t <sub>DIS-BNK</sub>	t <sub>DIS</sub> Blanking Time of VS			1.5		μs
I <sub>VS-BNK</sub>	VS Current for VS Blanking			100		μA
<b>Current-Error-Amplifier Section</b>						
G <sub>m</sub>	Transconductance			85		μmho
I <sub>COMI-SINK</sub>	COMI Sink Current	V <sub>EAI</sub> =3 V, V <sub>COMI</sub> =5 V	25		38	μA
I <sub>COMI-SOURCE</sub>	COMI Source Current	V <sub>EAI</sub> =2 V, V <sub>COMI</sub> =0 V	25		38	μA
V <sub>COMI-HGH</sub>	COMI High Voltage	V <sub>EAI</sub> =2 V	4.9			V
V <sub>COMI-LOW</sub>	COMI Low Voltage	V <sub>EAI</sub> =3 V			0.1	V

Continued on the following page...

**Electrical Characteristics** (Continued)V<sub>DD</sub>=15 V and T<sub>A</sub>=25°C, unless otherwise specified.

Symbol	Parameter	Condition	Min.	Typ.	Max.	Unit
<b>Over-Current Protection Section</b>						
V <sub>OCP</sub>	V <sub>CS</sub> Threshold Voltage for OCP		0.60	0.67	0.74	V
V <sub>LowOCP</sub>	V <sub>CS</sub> Threshold Voltage for Low OCP		0.13	0.18	0.23	V
V <sub>LowOCP-EN</sub>	V <sub>S</sub> Threshold Voltage to Enable Low OCP Level			0.4		V
V <sub>LowOCP-DIS</sub>	V <sub>S</sub> Threshold Voltage to Disable Low OCP Level			0.6		V
<b>Over-Temperature Protection Section</b>						
T <sub>OTP</sub>	Threshold Temperature for OTP <sup>(3)</sup>		140	150	160	°C
T <sub>OTP-HYS</sub>	Restart Junction Temperature Hysteresis			10		°C

**Note:**

- If over-temperature protection is activated, the power system enters Auto-Recovery Mode and output is disabled. Device operation above the maximum junction temperature is NOT guaranteed. OTP is guaranteed by design.

## Typical Performance Characteristics

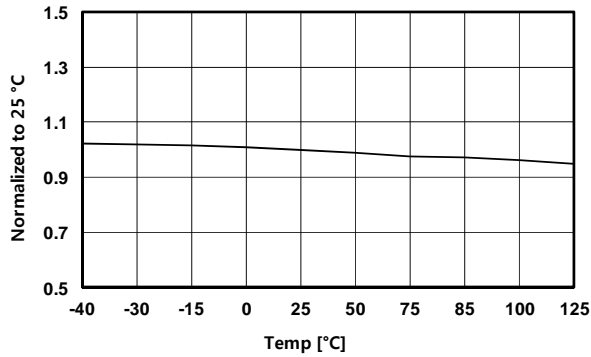


Figure 5.  $V_{DD-ON}$  vs. Temperature

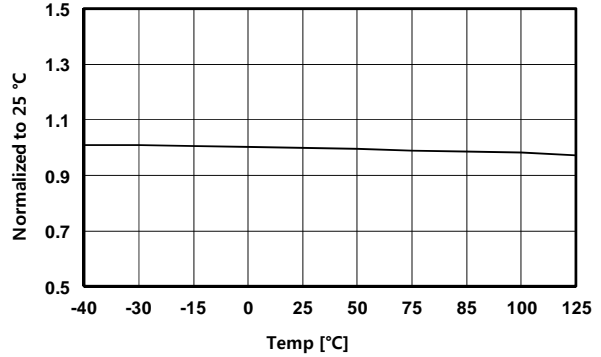


Figure 6.  $V_{DD-OFF}$  vs. Temperature

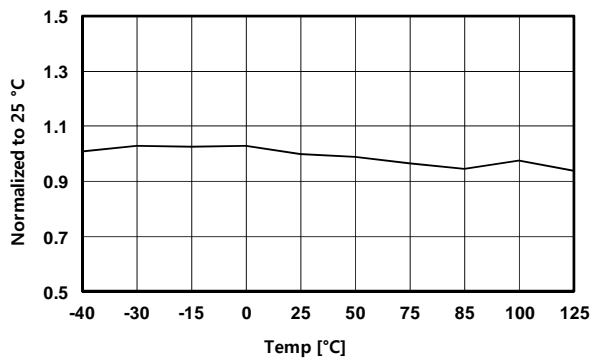


Figure 7.  $I_{DD-OP}$  vs. Temperature

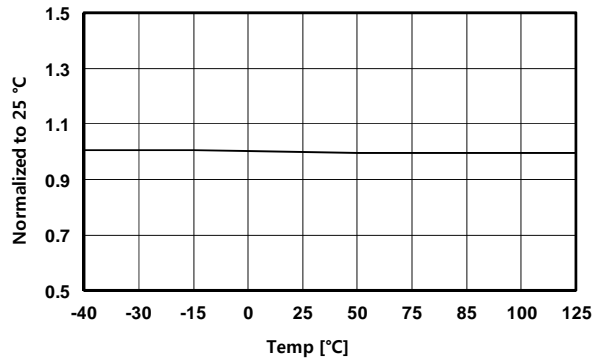


Figure 8.  $V_{OVP}$  vs. Temperature

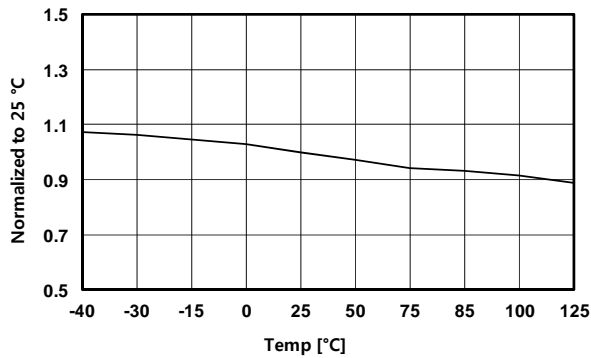


Figure 9.  $f_{MAX\_CC}$  vs. Temperature

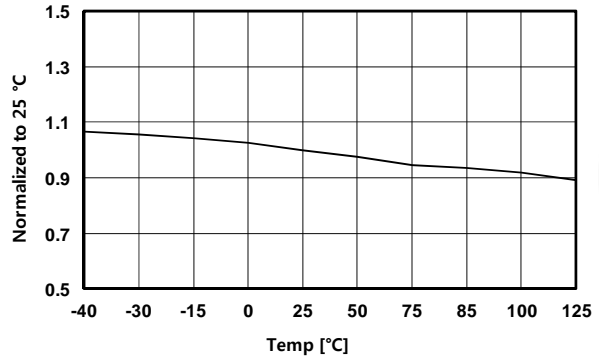


Figure 10.  $f_{MIN\_CC}$  vs. Temperature

Typical Performance Characteristics (Continued)

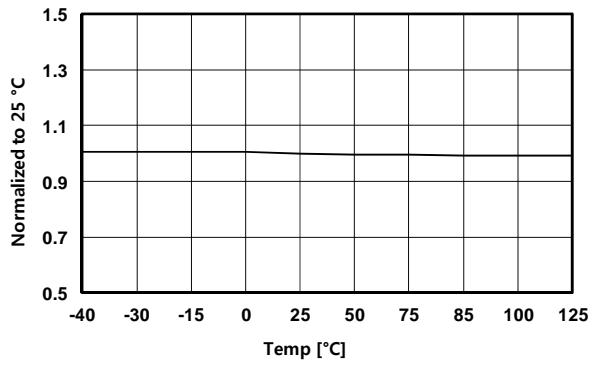


Figure 11.  $V_{CCR}$  vs. Temperature

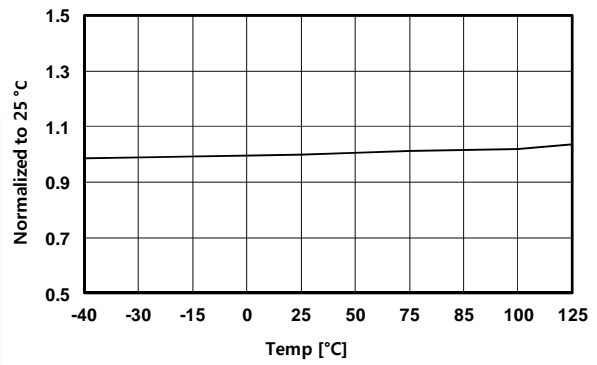


Figure 12.  $V_{VVR}$  vs. Temperature

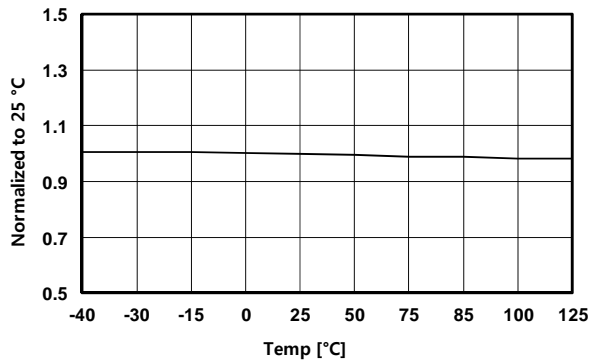


Figure 13.  $V_{OCP}$  vs. Temperature

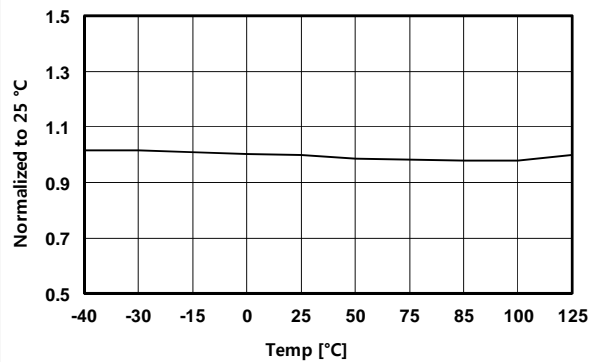


Figure 14.  $V_{OCP\_Low}$  vs. Temperature



## Functional Description

FL7732 is AC-DC PWM controller for LED lighting applications. TRUECURRENT® techniques regulate accurate LED current independent of input voltage, output voltage, and magnetizing inductance variations. The linear frequency control in the oscillator reduces conduction loss and maintains DCM operation in the wide range of output voltage, which implements high power factor correction in a single-stage flyback topology. A variety of protections, such as short/open-LED protection, over-temperature protection, and cycle-by-cycle current limitation stabilize system operation and protect external components.

## Startup

Powering at startup is slow due to the low feedback loop bandwidth in PFC converter. To boost powering during startup, an internal oscillator counts 12 ms to define Startup Mode. During Startup Mode, turn-on time is determined by Current-Mode control with a  $0.2 V_{CS}$  voltage limit and transconductance becomes 14 times larger, as shown in Figure 15. After startup, turn-on time is controlled by Voltage Mode using COM1 voltage and error amplifier transconductance is reduced to 85  $\mu$ ho.

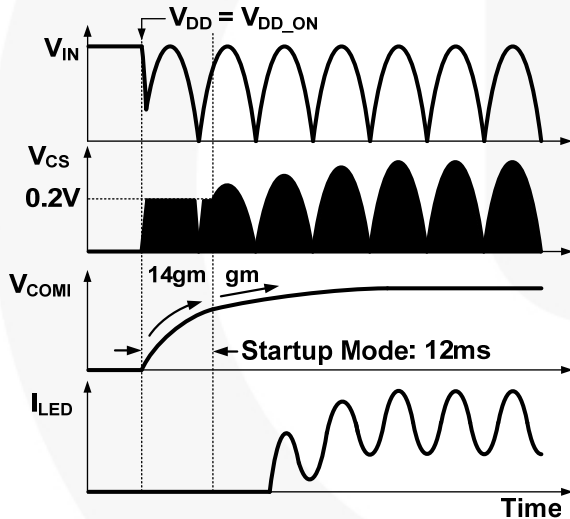


Figure 15. Startup Sequence

## Constant-Current Regulation

The output current can be estimated using the peak drain current and inductor current discharge time since output current is same as the average of the diode current in steady state. The peak value of the drain current is determined by the CS pin and the inductor discharge time ( $t_{DIS}$ ) is sensed by  $t_{DIS}$  detector. By using three points of information (peak drain current, inductor discharging time, and operating switching period); TRUECURRENT® calculation block estimates output current. The output of the calculation is compared with an internal precise reference to generate an error voltage ( $V_{COM1}$ ), which determines turn-on time in Voltage-Mode control. With Fairchild's innovative

TRUECURRENT® technique, constant-current output can be precisely controlled.

## PFC and THD

In a conventional boost converter, Boundary Conduction Mode (BCM) is generally used to keep input current in-phase with input voltage for PF and THD. In flyback/buck boost topology, constant turn-on time and constant frequency in Discontinuous Conduction Mode (DCM) can implement high PF and low THD, as shown in Figure 16. Constant turn-on time is maintained by the internal error amplifier and a large external capacitor (typically over  $1 \mu F$ ) at the COM1 pin. Constant frequency and DCM operation are managed by linear frequency control.

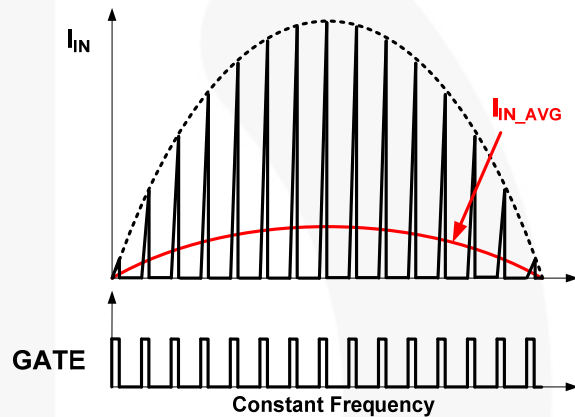


Figure 16. Input Current and Switching

## Linear Frequency Control

As mentioned above, DCM should be guaranteed for high power factor in flyback topology. To maintain DCM across the wide range of output voltage, frequency is linearly adjusted by output voltage in linear frequency control. Output voltage is detected by the auxiliary winding and the resistive divider connected to the VS pin, as shown in Figure 17.

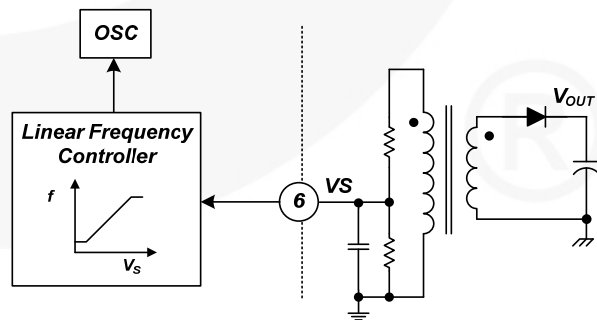


Figure 17. Linear Frequency Control

When output voltage decreases, secondary diode conduction time is increased and the linear frequency control lengthens the switching period, which retains DCM operation in the wide output voltage range, as shown in Figure 18. The frequency control lowers the primary rms current with better power efficiency in the full-load condition.

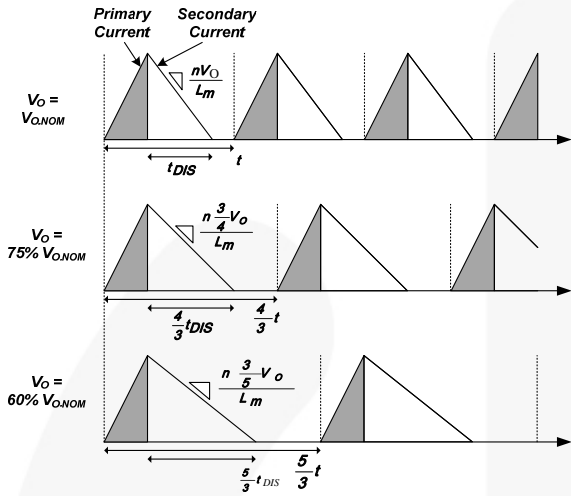


Figure 18. Primary and Secondary Current

### BCM Control

The end of secondary diode conduction time is possibly over a switching period set by linear frequency control. In this case, FL7732 doesn't allow CCM and the operation mode changes from DCM to BCM. Therefore, magnetizing inductance can be largely designed to add BCM for better efficiency if PF and THD meet specification with enough margin.

### Short-LED Protection

In case of a short-LED condition, the switching MOSFET and secondary diode are stressed by the high powering current. However, FL7732 changes the OCP level in a short-LED condition. When  $V_S$  voltage is lower than 0.4 V, OCP level becomes 0.2 V from 0.7 V, as shown in Figure 19, so powering is limited and external components current stress is reduced.

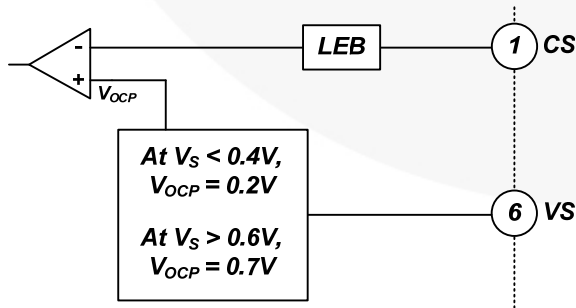


Figure 19. Internal OCP Block

Figure 20 shows operational waveforms in short-LED condition. Output voltage is quickly lowered to 0V right after a short-LED event. Then the reflected auxiliary voltage is also 0 V, making  $V_S$  less than 0.4 V. 0.2 V OCP level limits primary-side current and  $V_{DD}$  hiccups up and down between UVLO hysteresis.

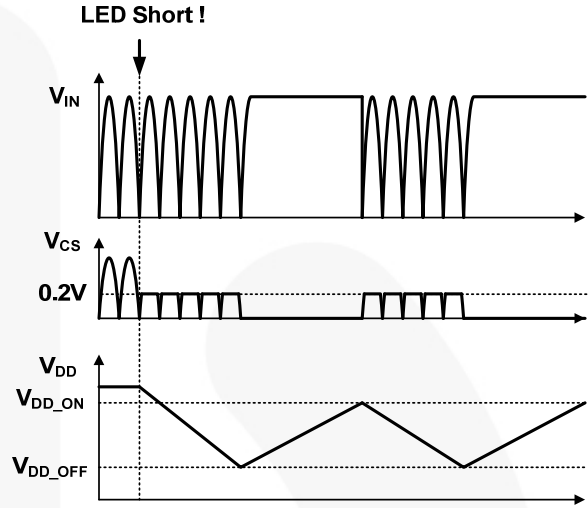


Figure 20. Waveforms in Short-LED Condition

### Open-LED Protection

FL7732 protects external components, such as diode and capacitor, at secondary side in open-LED condition. During switch-off, the  $V_{DD}$  capacitor is charged up to the auxiliary winding voltage, which is applied as the reflected output voltage. Because the  $V_{DD}$  voltage has output voltage information, the internal voltage comparator on the  $V_{DD}$  pin can trigger output Over-Voltage Protection (OVP), as shown in Figure 21. When at least one LED is open-circuited, output load impedance becomes very high and output capacitor is quickly charged up to  $V_{OVP} \times N_S / N_A$ . Then switching is shut down and the  $V_{DD}$  block goes into Hiccup Mode until the open-LED condition is removed, as shown in Figure 22.

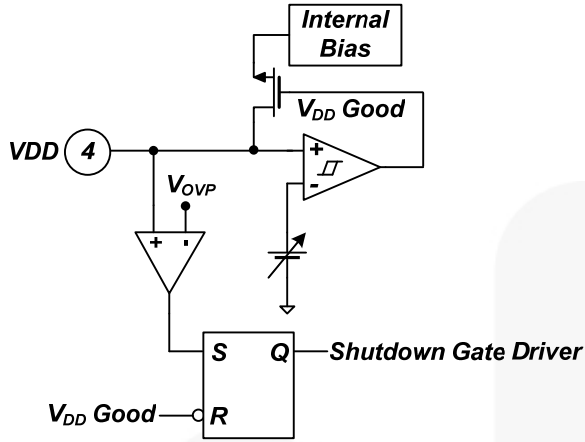


Figure 21. Internal OVP Block

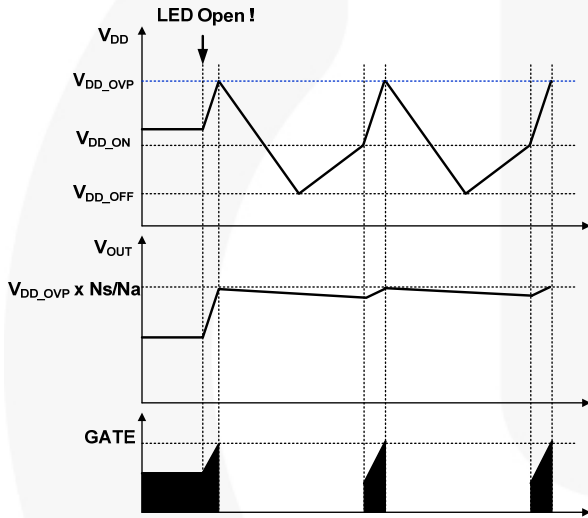


Figure 22. Waveforms in Open-LED Condition

### Under-Voltage Lockout (UVLO)

The turn-on and turn-off thresholds are fixed internally at 16 V and 7.5 V, respectively. During startup, the V<sub>DD</sub> capacitor must be charged to 16 V through the startup resistor to enable the FL7732. The V<sub>DD</sub> capacitor continues to supply V<sub>DD</sub> until power can be delivered from the auxiliary winding of the main transformer. V<sub>DD</sub> must not drop below 7.5 V during this startup process. This UVLO hysteresis window ensures that the V<sub>DD</sub> capacitor is adequate to supply V<sub>DD</sub> during startup.

### Over-Temperature Protection (OTP)





The FL7732 has a built-in temperature-sensing circuit to shut down PWM output if the junction temperature exceeds 150°C. While PWM output is shut down, the V<sub>DD</sub> voltage gradually drops to the UVLO voltage. Some of the internal circuits are shut down and V<sub>DD</sub> gradually starts increasing again. When V<sub>DD</sub> reaches 16 V, all the internal circuits start operating. If the junction temperature is still higher than 140°C, the PWM controller is shut down immediately.





**TRADEMARKS**

The following includes registered and unregistered trademarks and service marks, owned by Fairchild Semiconductor and/or its global subsidiaries, and is not intended to be an exhaustive list of all such trademarks.

- |  |   |  |   |
|--|---|--|---|
| 2Cool™   | F-PFS™  | PowerTrench®   | The Power Franchise®  |
| AccuPower™   | FRFET®  | PowerXS™   | <b>the power franchise</b>  |
| AX-CAP™*   | Global Power Resource™  | Programmable Active Droop™   | TinyBoost™  |
| BitSiC™  | GreenBridge™  | QFET®  | TinyBuck™   |
| Build it Now™  | Green FPS™  | QS™  | TinyCalc™   |
| CorePLUS™  | Green FPS™ e-Series™  | Quiet Series™  | TinyLogic®  |
| CorePOWER™   | Gmax™   | RapidConfigure™  | TINYOPTO™   |
| CROSSVOLT™   | GTO™  |  ™                | TinyPower™  |
| CTL™   | IntelliMAX™   | Saving our world, 1mW/W/kW at a time™  | TinyPWM™  |
| Current Transfer Logic™  | ISOPLANAR™  | SignalWise™  | TinyWire™   |
| DEUXPEED®  | Making Small Speakers Sound Louder and Better™                                      | SmartMax™  | TranSiC™  |
| Dual Cool™   | MegaBuck™   | SMART START™   | TriFault Detect™  |
| EcoSPARK®  | MICROCOUPLER™   | Solutions for Your Success™  | TRUECURRENT®*   |
| EfficientMax™  | MicroFET™   | SPM®   | µSerDes™  |
| ESBC™  | MicroPak™   | STEALTH™   |  ™ |
|  Fairchild® | MicroPak2™  | SuperFET®  | UHC®  |
| Fairchild Semiconductor®   | MillerDrive™  | SuperSOT™-3  | Ultra FRFET™  |
| FACT Quiet Series™   | MotionMax™  | SuperSOT™-6  | UniFET™   |
| FACT®  | mWSaver™  | SuperSOT™-8  | VCX™  |
| FAST®  | OptoHiT™  | SupreMOS®  | VisualMax™  |
| FastvCore™   | OPTOLOGIC®  | SyncFET™   | VoltagePlus™  |
| FETBench™  | OPTOPLANAR®   | Sync-Lock™   | XS™   |
| FlashWriter®*  |  ™ |  SYSTEM GENERAL®* |   |
| FPS™   |   |  |   |

\* Trademarks of System General Corporation, used under license by Fairchild Semiconductor.

**DISCLAIMER**

FAIRCHILD SEMICONDUCTOR RESERVES THE RIGHT TO MAKE CHANGES WITHOUT FURTHER NOTICE TO ANY PRODUCTS HEREIN TO IMPROVE RELIABILITY, FUNCTION, OR DESIGN. FAIRCHILD DOES NOT ASSUME ANY LIABILITY ARISING OUT OF THE APPLICATION OR USE OF ANY PRODUCT OR CIRCUIT DESCRIBED HEREIN; NEITHER DOES IT CONVEY ANY LICENSE UNDER ITS PATENT RIGHTS, NOR THE RIGHTS OF OTHERS. THESE SPECIFICATIONS DO NOT EXPAND THE TERMS OF FAIRCHILD'S WORLDWIDE TERMS AND CONDITIONS, SPECIFICALLY THE WARRANTY THEREIN, WHICH COVERS THESE PRODUCTS.

**LIFE SUPPORT POLICY**

FAIRCHILD'S PRODUCTS ARE NOT AUTHORIZED FOR USE AS CRITICAL COMPONENTS IN LIFE SUPPORT DEVICES OR SYSTEMS WITHOUT THE EXPRESS WRITTEN APPROVAL OF FAIRCHILD SEMICONDUCTOR CORPORATION.

As used herein:

1. Life support devices or systems are devices or systems which, (a) are intended for surgical implant into the body or (b) support or sustain life, and (c) whose failure to perform when properly used in accordance with instructions for use provided in the labeling, can be reasonably expected to result in a significant injury of the user.
2. A critical component in any component of a life support, device, or system whose failure to perform can be reasonably expected to cause the failure of the life support device or system, or to affect its safety or effectiveness.

**ANTI-COUNTERFEITING POLICY**

Fairchild Semiconductor Corporation's Anti-Counterfeiting Policy. Fairchild's Anti-Counterfeiting Policy is also stated on our external website, [www.fairchildsemi.com](http://www.fairchildsemi.com), under Sales Support.

Counterfeiting of semiconductor parts is a growing problem in the industry. All manufacturers of semiconductor products are experiencing counterfeiting of their parts. Customers who inadvertently purchase counterfeit parts experience many problems such as loss of brand reputation, substandard performance, failed applications, and increased cost of production and manufacturing delays. Fairchild is taking strong measures to protect ourselves and our customers from the proliferation of counterfeit parts. Fairchild strongly encourages customers to purchase Fairchild parts either directly from Fairchild or from Authorized Fairchild Distributors who are listed by country on our web page cited above. Products customers buy either from Fairchild directly or from Authorized Fairchild Distributors are genuine parts, have full traceability, meet Fairchild's quality standards for handling and storage and provide access to Fairchild's full range of up-to-date technical and product information. Fairchild and our Authorized Distributors will stand behind all warranties and will appropriately address any warranty issues that may arise. Fairchild will not provide any warranty coverage or other assistance for parts bought from Unauthorized Sources. Fairchild is committed to combat this global problem and encourage our customers to do their part in stopping this practice by buying direct or from authorized distributors.

**PRODUCT STATUS DEFINITIONS**

**Definition of Terms**

Datasheet Identification	Product Status	Definition
Advance Information	Formative / In Design	Datasheet contains the design specifications for product development. Specifications may change in any manner without notice.
Preliminary	First Production	Datasheet contains preliminary data; supplementary data will be published at a later date. Fairchild Semiconductor reserves the right to make changes at any time without notice to improve design.
No Identification Needed	Full Production	Datasheet contains final specifications. Fairchild Semiconductor reserves the right to make changes at any time without notice to improve the design.
Obsolete	Not In Production	Datasheet contains specifications on a product that is discontinued by Fairchild Semiconductor. The datasheet is for reference information only.

Rev. I62