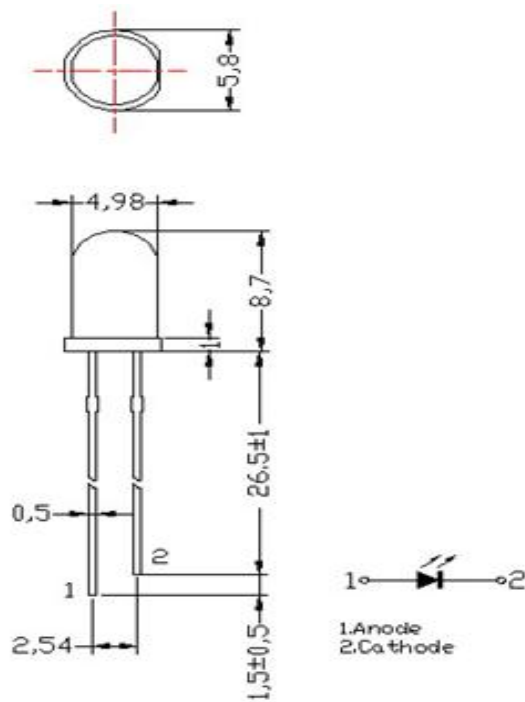


- **Brand:TH / TIANHUI**

5mm uv leds



Advantages of our UV LEDs:

- Accurate wavelength;
- Low luminous decay;
- Long service life;
- Good lighting effective;
- No color difference;
- Environmental friendliness;
- Energy conservation;

Our company is the earliest manufacturer of UV LED packaging in China. It has the most complete product series, the most stable quality and the most competitive price. Ultraviolet UVA, UVB, and UVC products range from short to long, with power ranging from small to large. The product includes a full range of products imported from abroad and independently packaged in China. The wavelengths include 240NM , 260NM , 280NM, 340NM , 365NM , 375NM , 380NM , 390NM , 400NM , 420NM. It is one of the most advantageous UV LED professional suppliers in China. , Promises that people have what I have, people who have me are excellent, the product is widely used in banknote counting, anti-counterfeiting, leak detection, selection, medical, curing and other fields

Part Number	Size (MM)	Working Current IF (mA)	Forward Voltage VF (V)	Wavelength λD (nm)	Optical Output (MW)	Viewing Angle (°)
TH-UV365S2EA	3 / 4.8 / 5	20	3.6-4.2	365-370	2-3MW	10-120
TH-UV365S2E	3 / 4.8 / 5	20	3.6-4.2	365-375	2-3MW	10-120
TH-UV370S2EA	3 / 4.8 / 5	20	3.5-4.0	370-375	2-3MW	10-120
TH-UV375S4EA	3 / 4.8 / 5	20	3.5-4.0	375-380	4-6MW	10-120
TH-UV380S4EA	3 / 4.8 / 5	20	3.5-4.0	380-385	4-6MW	10-120
TH-UV375S4E	3 / 4.8 / 5	20	3.5-4.0	375-385	4-6MW	10-120
TH-UV385S4EA	3 / 4.8 / 5	20	3.5-4.0	385-390	4-6MW	10-120
TH-UV415S8EA-5	3 / 4.8 / 5	20	3.2-3.8	415-420	8-9MW	15
TH-UV375S4A	3 / 4.8 / 5	20	3-4V	375-380	> 4MW	10-120
TH-UV380S5E-5	3 / 4.8 / 5	20	3-4V	380-385	> 4MW	10-120
TH-UV395S5H5	3 / 4.8 / 5	20	3-4V	395-400	20-25	10-120
TH-UV400S20A	3 / 4.8 / 5	20	3-4V	400-405	20-25	10-120
TH-UV360S0.5F	3 / 4.8 / 5 /	20	3.6-4.4	360-365	0.5-2MW	10-120
TH-UV365S0.5F	3 / 4.8 / 5 /	20	3.6-4.4	365-375	0.5-2MW 2-3MW 1-3MW	10-120
TH-UV365S2F	3 / 4.8 / 5 /	20	3.6-4.4	365-375	2-3MW	10-120
TH-UV365S1F	3 / 4.8 / 5 /	20	3.6-4.4	365-375	1-3MW	10-120
TH-UV375S1F	3 / 4.8 / 5 /	20	3.6-4.4	375-385	1-4MW	10-120
TH-UV375S4F	3 / 4.8 / 5 /	20	3.4-4.0	375-385	4-6MW	10-120
TH-UV385S4 / 6F	3 / 4.8 / 5 /	20	3.4-4.0	385-395	4-6MW 6-8MW	10-120
TH-UV395S5 / 6 / 8F	3 / 4.8 / 5 /	20	3.4-4.0	395-405	5-6MW 6-8MW 8-10MW	10-120