

**Preliminary**

TOSHIBA CMOS Integrated Circuit Silicon Monolithic

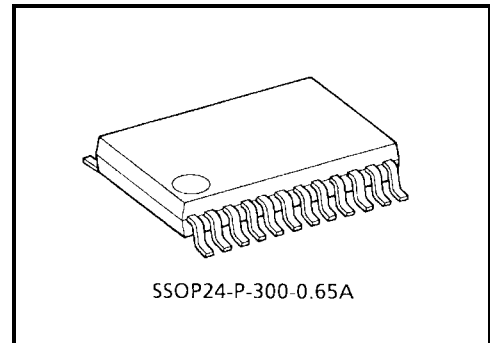
# TB6575FNG

## PWM Sensorless Controller for 3-Phase Full-Wave BLDC Motors

The TB6575FNG provides sensorless commutation and PWM current control for 3-phase full-wave BLDC motors. It controls rotation speed by changing a PWM duty cycle by analog voltage.

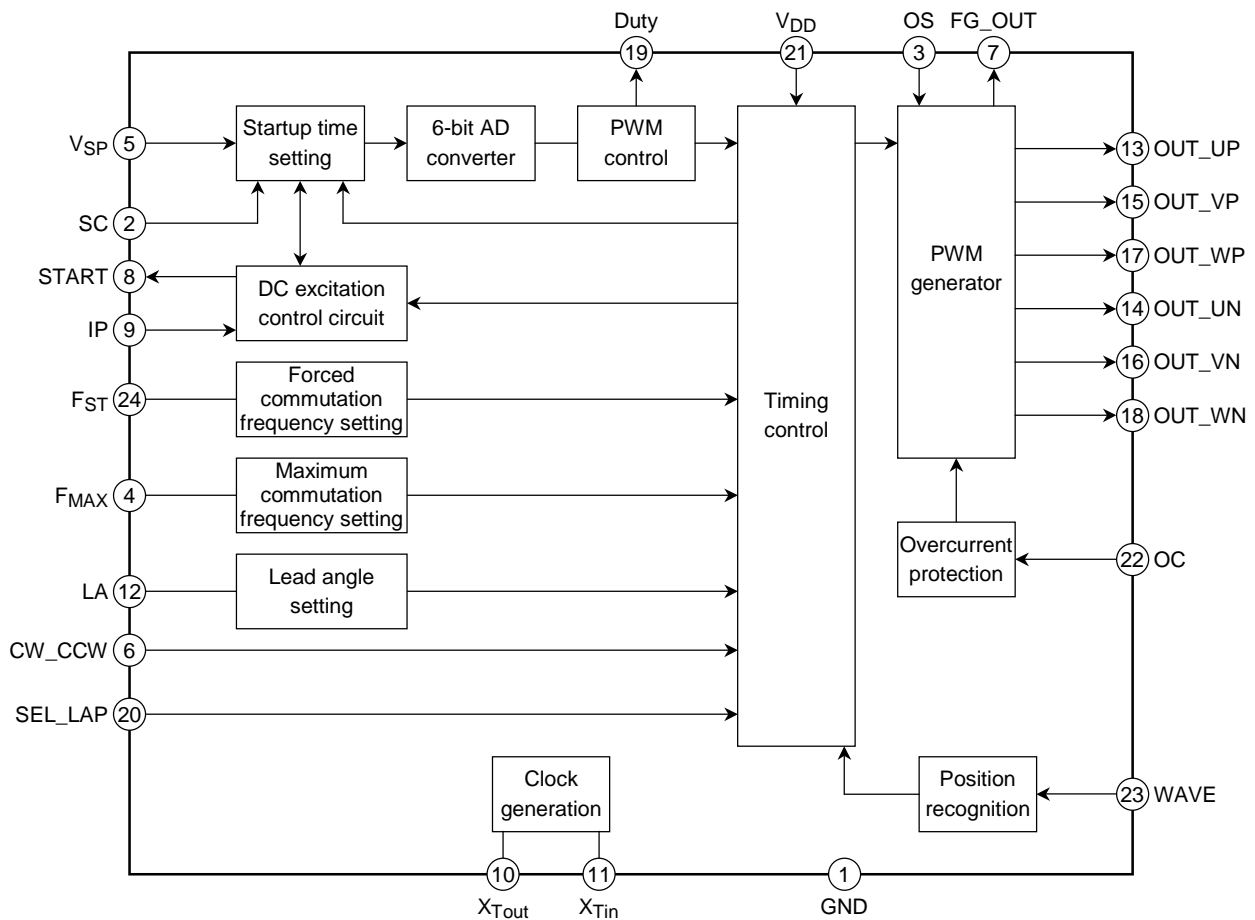
### Features

- 3-phase full-wave sensorless drive
- PWM chopper drive
- PWM duty cycle control by analog input
- 20-mA current sink capability on PWM output pins
- Overcurrent protection
- Forward/reverse rotation
- Lead angle control (7.5° and 15°)
- Overlap commutation
- Rotation speed sensing signal
- DC excitation mode to improve startup characteristic
- DC excitation time and forced commutation time for startup operation can be changed.
- Forced commutation frequency can be selected. ( $f_{XT}/(6 \times 2^{16})$ ,  $f_{XT}/(6 \times 2^{17})$ ,  $f_{XT}/(6 \times 2^{18})$ )
- Output polarity switching (P-channel + N-channel, N-channel + N-channel)



Weight: 0.14 g (typ.)

## Block Diagram



## Pin Assignment

GND	1	24	F <sub>ST</sub>
SC	2	23	WAVE
OS	3	22	OC
F <sub>MAX</sub>	4	21	V <sub>DD</sub>
V <sub>SP</sub>	5	20	SEL_LAP
CW_CCW	6	19	Duty
FG_OUT	7	18	OUT_WN
START	8	17	OUT_WP
IP	9	16	OUT_VN
X <sub>Tout</sub>	10	15	OUT_VP
X <sub>Tin</sub>	11	14	OUT_UN
LA	12	13	OUT_UP

## Pin Description

Pin No.	Symbol	I/O	Description
1	GND	—	Ground pin
2	SC	I	Connection pin for a capacitor to set a startup commutation time and duty cycle ramp-up time
3	OS	I	Select the polarity of transistors. High or open : High-side transistor = P-channel (active low) : Low-side transistor = N-channel (active low) Low              : High-side transistor = N-channel (active low) : Low-side transistor = N-channel (active low) The pin has a pull-up resistor.
4	FMAX	I	Set an upper limit of the maximum commutation frequency. High or open : Maximum commutation frequency $f_{MX} = f_{XT}/(6 \times 2^9)$ Low           : Maximum commutation frequency $f_{MX} = f_{XT}/(6 \times 2^{10})$ The pin has a pull-up resistor.
5	VSP	I	Duty cycle control input $0 \leq V_{SP} \leq V_{AD}$ (L): Output off $V_{AD}$ (L) $\leq V_{SP} \leq V_{AD}$ (H): Set the PWM duty cycle according to the analog input. $V_{AD}$ (H) $\leq V_{SP} \leq V_{DD}$ : Duty cycle = 100% (31/32) The pin has a pull-down resistor.
6	CW_CCW	I	Rotation direction input High          : Reverse rotation (U → W → V) Low or open : Forward rotation (U → V → W) The pin has a pull-down resistor.
7	FG_OUT	O	Rotation speed sensing output The pin is low at startup or upon a detection of a fault. This pin drives three pulses per rotation (3 ppr) based on the back-EMF (electromotive force) sensing. (In the case of 4 pole motor, 6 pulse output per rotation.)
8	START	O	DC excitation time setting pins When $V_{SP} \geq 1$ V (typ.), the START pin goes low to start DC excitation. After the IP pin reaches $V_{DD}/2$ , the TB6575FNG moves from DC excitation to forced commutation mode.
9	IP	I	
10	X <sub>T</sub>	—	Connection pins for a crystal oscillator These pins have a feedback resistor.
11	X <sub>Tin</sub>	—	
12	LA	I	Lead angle control input LA = Low or open : Lead angle of 7.5° LA = high          : Lead angle of 15° The pin has a pull-down resistor.
13	OUT_UP	O	PWM output signal for the high-side (positive-side) transistor driving motor phase U The PWM polarity can be specified by pin 3.
14	OUT_UN	O	PWM output signal for the low-side (negative-side) transistor driving motor phase U This signal is active high.
15	OUT_VP	O	PWM output signal for the high-side (positive-side) transistor driving motor phase V The PWM polarity can be specified by pin 3.
16	OUT_VN	O	PWM output signal for the low-side (negative-side) transistor driving motor phase V This signal is active high.
17	OUT_WP	O	PWM output signal for the high-side (positive-side) transistor driving motor phase W The PWM polarity can be specified by pin 3.
18	OUT_WN	O	PWM output signal for the low-side (negative-side) transistor driving motor phase W This signal is active high.
19	Duty	O	PWM output monitor pin This pin drives PWM output whose duty cycle corresponds to the V <sub>SP</sub> input. It also reflects the information at the OC pin.
20	SEL_LAP	I	Overlap commutation select pin Low: Overlap commutation      High: 120° commutation The pin has a pull-up resistor.
21	V <sub>DD</sub>	—	5-V power supply pin
22	OC	I	Overcurrent detection input The all PWM output signals are stopped when $OC \geq 0.5$ (V). The pin has a pull-up resistor.

Pin No.	Symbol	I/O	Description
23	WAVE	I	Position sensing input 3-phase voltage is applied to this pin. The pin has a pull-up resistor.
24	F <sub>ST</sub>	I	Forced commutation frequency select pin High or open: Forced commutation frequency $f_{ST} = f_{XT}/(6 \times 2^{16})$ Middle : Forced commutation frequency $f_{ST} = f_{XT}/(6 \times 2^{17})$ Low : Forced commutation frequency $f_{ST} = f_{XT}/(6 \times 2^{18})$ The pin has a pull-up resistor.

**Functional Description**

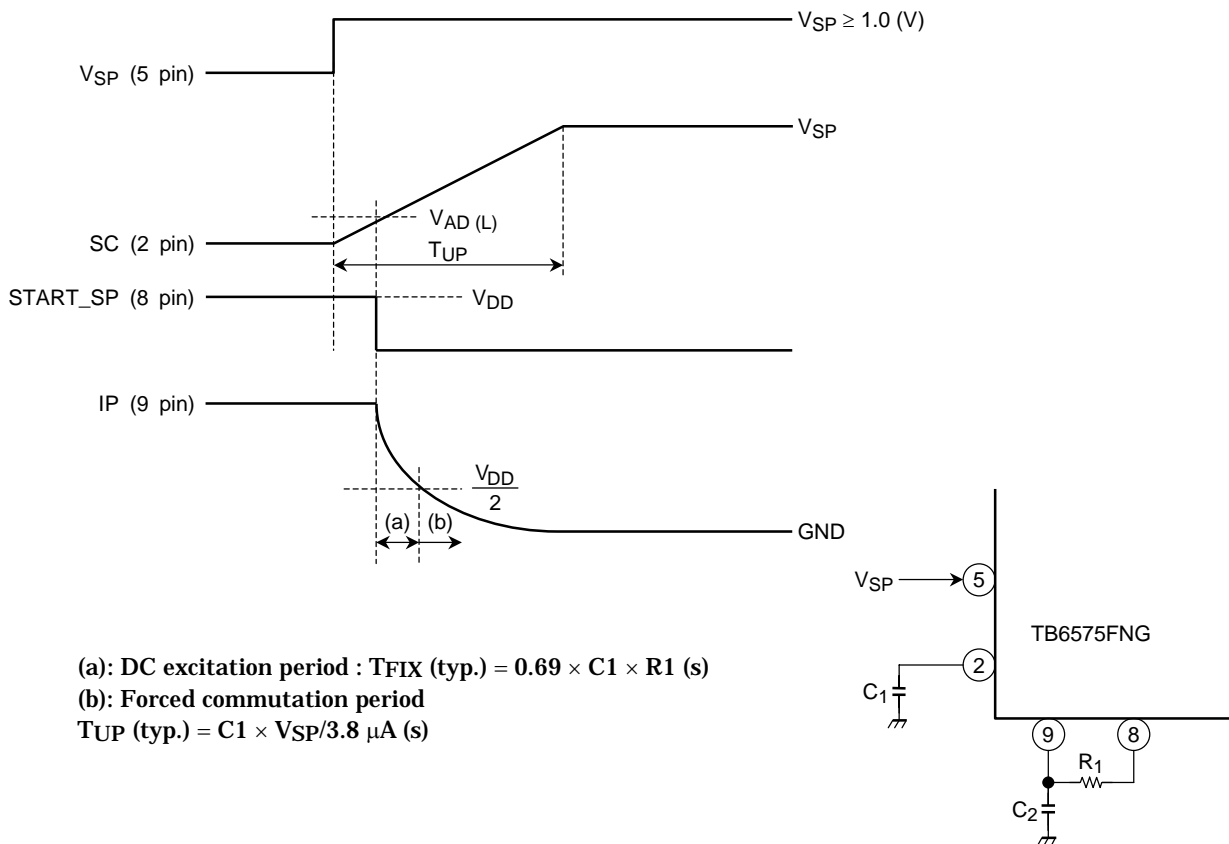
**1. Sensorless drive**

On receiving an analog voltage command input, the rotor is aligned to a known position in DC excitation mode, and then the rotation is started in forced commutation mode by applying a PWM signal to the motor. As the rotor moves, back-EMF is acquired.

When a signal indicating the polarity of each of the phase voltages including back-EMF is applied to the position signal input pin, automatic switching occurs from the forced commutation PWM signal to the natural commutation PWM signal (which is generated based on the back-EMF sensing) to drive a BLDC motor in sensorless mode.

**2. Startup operation**

When the motor is stationary, there is no back-EMF and the motor position is unknown. For this reason, the rotor is aligned to a known position in DC excitation mode and then the rotation is started in forced commutation mode. An external capacitor sets the times that the TB6575FNG stays in DC excitation and forced commutation modes. Those times vary depending on the motor type and motor loading. Thus, they must be adjusted experimentally.



The rotor is aligned to a known position in DC excitation mode for period (a), during which the IP pin voltage decreases to half V<sub>DD</sub> level. The time constant for the period is determined by C<sub>2</sub> and R<sub>1</sub>. After that, switching occurs to forced commutation mode represented by (b). The duty cycles for DC excitation

and forced commutation modes are determined according to the SC pin voltage. When a measurable back-EMF is detected, the motor switches to sensorless mode. The duty cycle for sensorless mode is determined by the VSP value.

**3. Forced commutation frequency**

The forced commutation frequency for startup operation is set as follows.

The optimal frequency varies depending on the motor type and motor loading. Thus, It must be adjusted experimentally.

FST = High or Open: Forced commutation frequency  $f_{ST} = f_{XT}/(6 \times 2^{16})$

FST = Middle : Forced commutation frequency  $f_{ST} = f_{XT}/(6 \times 2^{17})$

FST = Low : Forced commutation frequency  $f_{ST} = f_{XT}/(6 \times 2^{18})$

\*  $f_{XT}$ : Crystal oscillator frequency

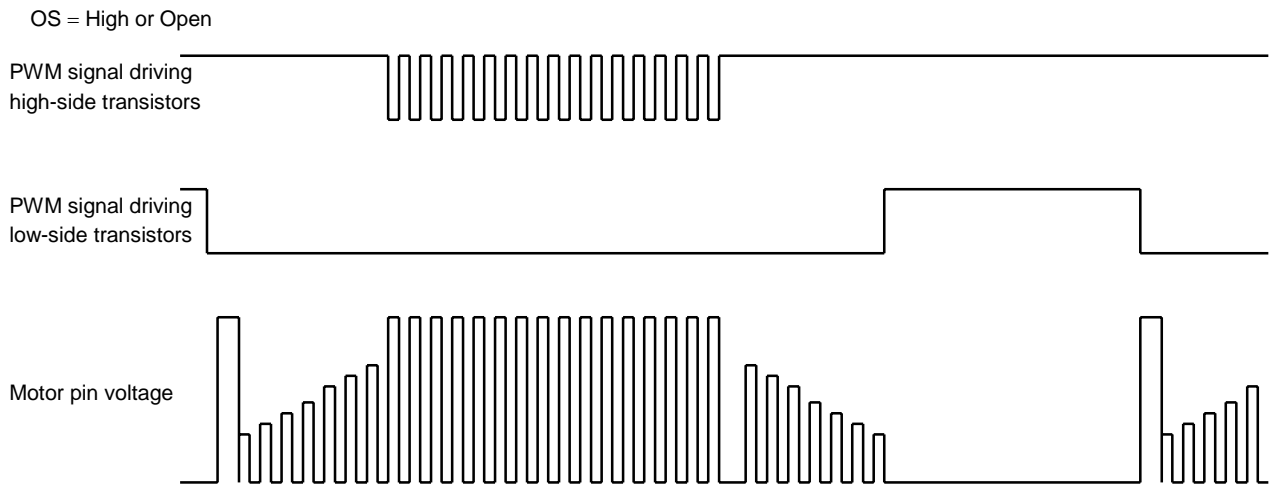
**4. PWM frequency**

The PWM frequency is determined by an external oscillator.

PWM frequency ( $f_{PWM}$ ) =  $f_{XT}/256$

\*  $f_{XT}$ : Crystal oscillator frequency

The PWM frequency must be sufficiently high, compared with the electrical frequency of the motor and within the switching performance of the transistors.



**5. Speed control VSP pin**

An analog voltage applied to the VSP pin is converted by the 6-bit AD converter to control the duty cycle of the PWM.

$0 \leq V_{DUTY} \leq V_{AD} (L)$

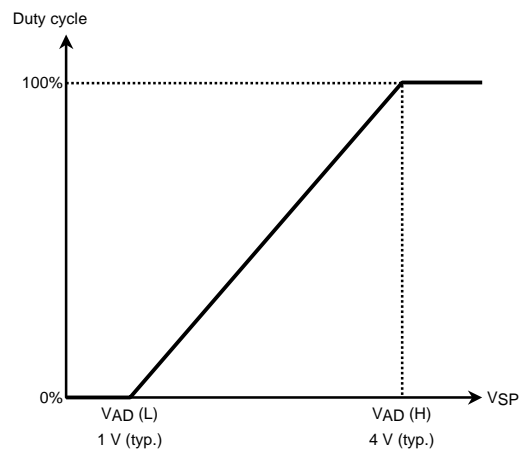
→ Duty cycle = 0%

$V_{AD} (L) \leq V_{DUTY} \leq V_{AD} (H)$

→ Figure at the right (1/64 to 63/64)

$V_{AD} (H) \leq V_{DUTY} \leq V_{DD}$

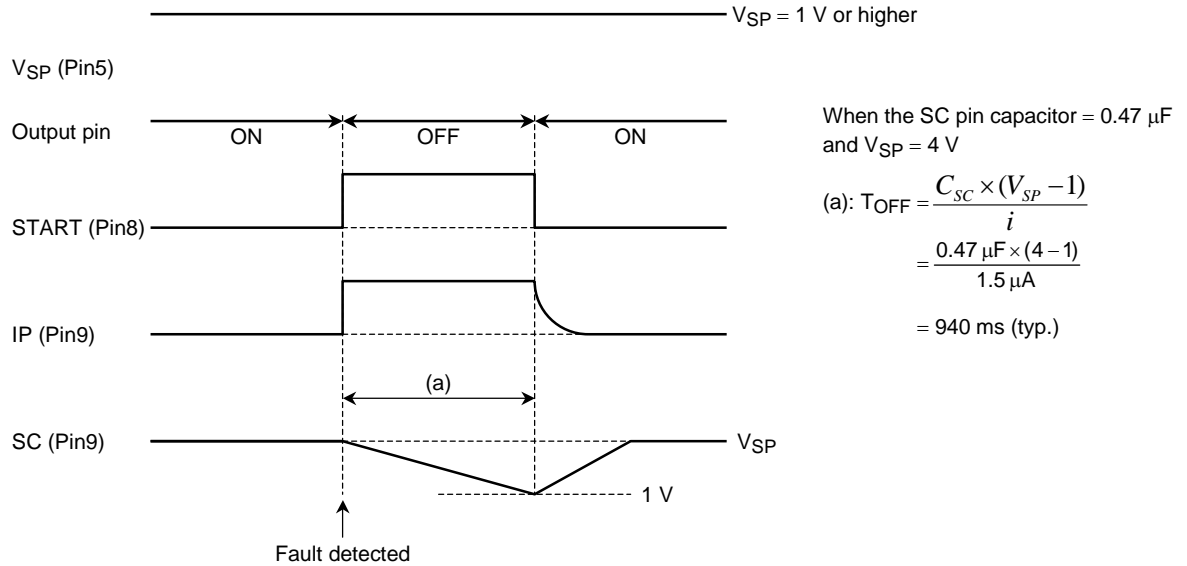
→ Duty cycle = 100% (63/64)



**6. Fault protection**

When a signal indicating the following faults is applied to the WAVE pin, the output transistors are disabled. After about one second, the motor is restarted. This operation is repeated as long as a fault is detected.

- The maximum commutation frequency is exceeded.
- The rotation speed falls below the forced commutation frequency.

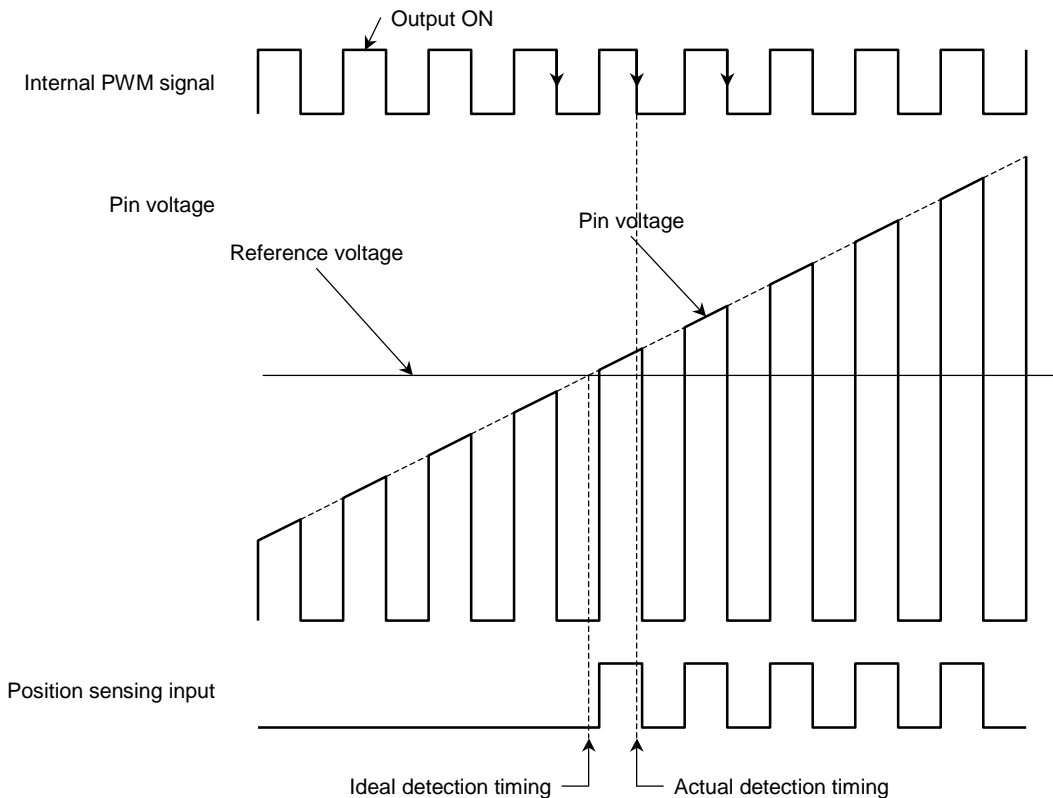


**7. Motor position detection error**

A position detection is synchronized with the PWM signal generated in the IC. Thus, a position detection error relative to the PWM signal frequency may occur. Keep this in mind especially when the TB6575FNG is used for a high-speed motor.

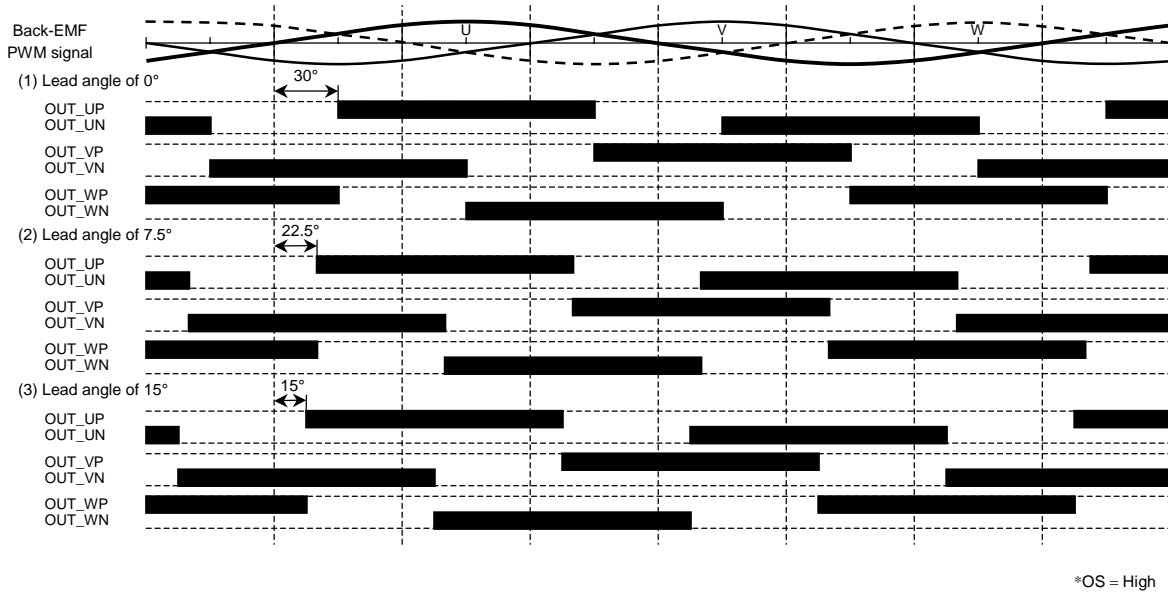
A detection is performed on the falling edge of the PWM signal. An error is recognized when the pin voltage exceeds the reference voltage.

Detection error time < 1/f<sub>p</sub>      f<sub>p</sub>: PWM frequency = f<sub>XT</sub>/256      f<sub>XT</sub>: Crystal oscillator frequency



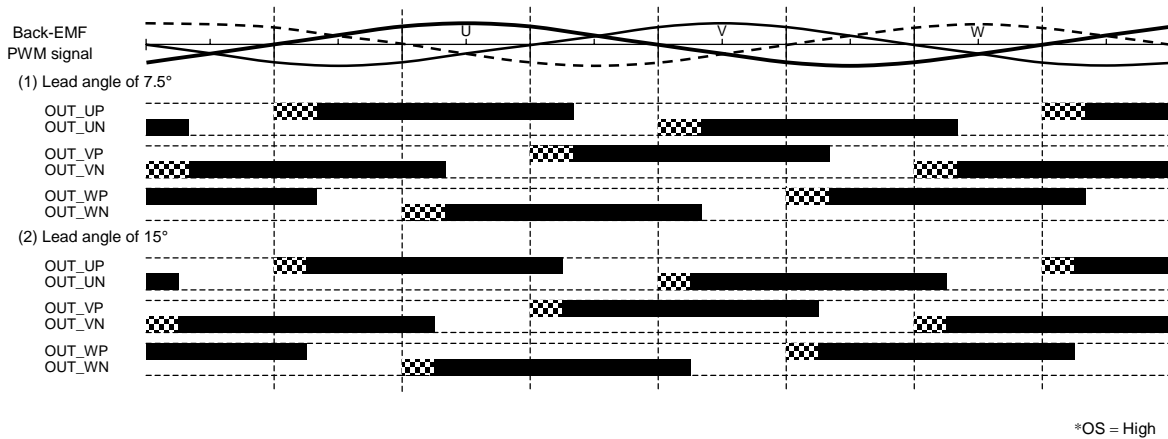
**8. Lead angle control**

The motor runs with a lead angle of 0° in forced commutation mode at startup. After switching to natural commutation, the lead angle automatically changes to the value set by the LA pin.



**9. Overlap commutation**

When SEL\_LAP = high, the TB6575FNG is configured to allow for 120° commutation. When SEL\_LAP = low, it is configured to allow for overlap commutation. In overlap commutation, there is an overlap period during which both the outgoing transistor and incoming transistor are conducting (as shown in the shaded areas). This period varies according to the lead angle.



## Maximum Ratings (Ta = 25°C)

Characteristics	Symbol	Rating	Unit
Power supply voltage	$V_{DD}$	5.5	V
Input voltage	$V_{in}$	$-0.3 \sim V_{DD} + 0.3$	V
Turn-on signal output current	$I_{OUT}$	20	mA
Power dissipation	$P_D$	780 (Note)	mW
Operating temperature	$T_{opr}$	$-30 \sim 105$	°C
Storage temperature	$T_{stg}$	$-55 \sim 150$	°C

Note: Without a PCB, stand-alone operation

## Recommended Operating Conditions (Ta = -30 to 105°C)

Characteristics	Symbol	Test Condition	Min	Typ.	Max	Unit
Power supply voltage	$V_{DD}$	—	4.5	5.0	5.5	V
Input voltage	$V_{in}$	—	-0.3	—	$V_{DD} + 0.3$	V
Oscillation frequency	$f_{XT}$	—	2.0	4.0	8.0	MHz

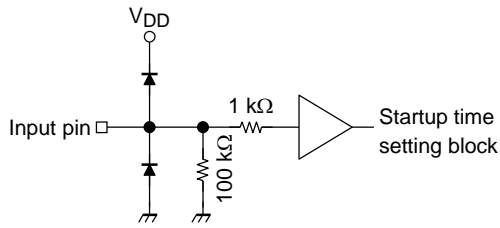


## Electrical Characteristics (Ta = 25°C, VDD = 5 V)

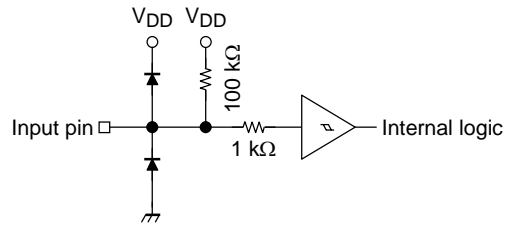
Characteristics	Symbol	Test Circuit	Test Condition	Min	Typ.	Max	Unit
Static power supply current	I <sub>DD</sub>	—	V <sub>SP</sub> = 0 V, X <sub>Tin</sub> = H	—	0.7	1	mA
Dynamic power supply current	I <sub>DD</sub> (opr)	—	V <sub>SP</sub> = 2.5 V, X <sub>Tin</sub> = 4 MHz, Output open	—	2	6	mA
Input current	I <sub>IN-1</sub> (H)	—	V <sub>IN</sub> = 5 V, OC, WAVE, SEL_LAP, F <sub>MAX</sub> , F <sub>ST</sub> , OS	—	0	1	μA
	I <sub>IN-1</sub> (L)	—	V <sub>IN</sub> = 0 V, OC, WAVE, SEL_LAP, F <sub>MAX</sub> , F <sub>ST</sub> , OS	-75	-50	—	
	I <sub>IN-2</sub> (H)	—	V <sub>IN</sub> = 5 V, CW_CCW, LA, V <sub>SP</sub>	—	50	75	
	I <sub>IN-2</sub> (L)	—	V <sub>IN</sub> = 0 V, CW_CCW, LA, V <sub>SP</sub>	-1	0	—	
Input voltage	V <sub>IN-1</sub> (H)	—	OC, SEL_LAP, CW_CCW, WAVE, LA, F <sub>MAX</sub> , OS	3.5	—	5	V
	V <sub>IN-1</sub> (L)	—	OC, SEL_LAP, CW_CCW, WAVE, LA, F <sub>MAX</sub> , OS	GND	—	1.5	
	V <sub>IN-2</sub> (H)	—	F <sub>ST</sub>	4	—	5	
	V <sub>IN-2</sub> (M)	—	F <sub>ST</sub>	2	—	3	
	V <sub>IN-2</sub> (L)	—	F <sub>ST</sub>	GND	—	1	
Input hysteresis voltage	V <sub>H</sub>	—	WAVE, I P	—	0.45	—	V
Output voltage	V <sub>O-1</sub> (H)	—	I <sub>OH</sub> = -2 mA, OUT_UP, OUT_VP, OUT_WP	4.5	—	V <sub>DD</sub>	V
	V <sub>O-1</sub> (L)	—	I <sub>OL</sub> = 20 mA, OUT_UP, OUT_VP, OUT_WP	GND	—	0.5	
	V <sub>O-2</sub> (H)	—	I <sub>OH</sub> = -20 mA, OUT_UN, OUT_VN, OUT_WN	4.5	—	V <sub>DD</sub>	
	V <sub>O-2</sub> (L)	—	I <sub>OL</sub> = 2 mA, OUT_UN, OUT_VN, OUT_WN	GND	—	0.5	
	V <sub>O-3</sub> (H)	—	I <sub>OH</sub> = -0.5 mA, FG_OUT	4.5	—	V <sub>DD</sub>	
	V <sub>O-3</sub> (L)	—	I <sub>OL</sub> = 0.5 mA, FG_OUT	GND	—	0.5	
Output leak current	I <sub>L</sub> (H)	—	V <sub>DD</sub> = 5.5 V, V <sub>OUT</sub> = 0 V, OUT_UP, OUT_VP, OUT_WP, OUT_UN, OUT_VN, OUT_WN, FG_OUT	—	0	10	μA
	I <sub>L</sub> (L)	—	V <sub>DD</sub> = 5.5 V, V <sub>OUT</sub> = 5.5 V, OUT_UP, OUT_VP, OUT_WP, OUT_UN, OUT_VN, OUT_WN, FG_OUT	—	0	10	
PWM input voltage	V <sub>AD</sub> (L)	—	V <sub>SP</sub>	0.8	1.0	1.2	V
	V <sub>AD</sub> (H)			3.8	4.0	4.2	
C <sub>SC</sub> charge current	I <sub>SC</sub>	—	SC	2.6	3.8	5.0	μA
Fault retry time	T <sub>OFF</sub>	—	V <sub>SP</sub> = 4 V, SC pin = 0.47 μF	—	940	—	ms
Overcurrent detection voltage	V <sub>OC</sub>	—	OC	0.46	0.5	0.54	V

**Input Equivalent Circuit**

1. VSP pin

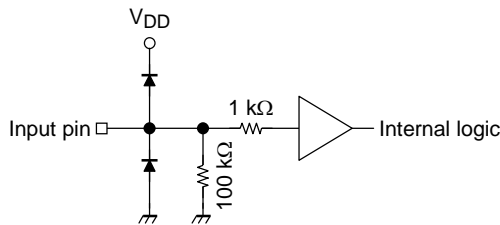


2. SEL\_LAP, FMAX, FST, WAVE and OS pins

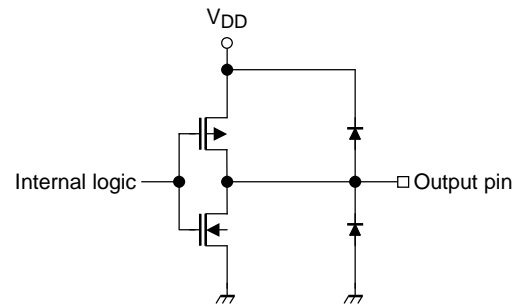


Hysteresis width  
WAVE : 450 mV (typ.)

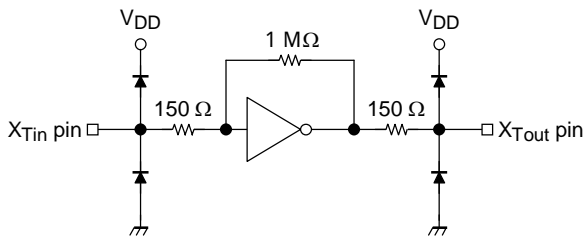
3. LA and CW\_CCW pins



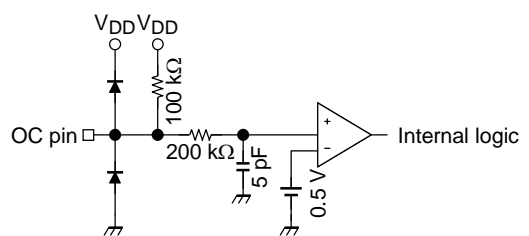
4. OUT\_UP, OUT\_UN, OUT\_VP, OUT\_VN, OUT\_WP, OUT\_WN and FG\_OUT pins



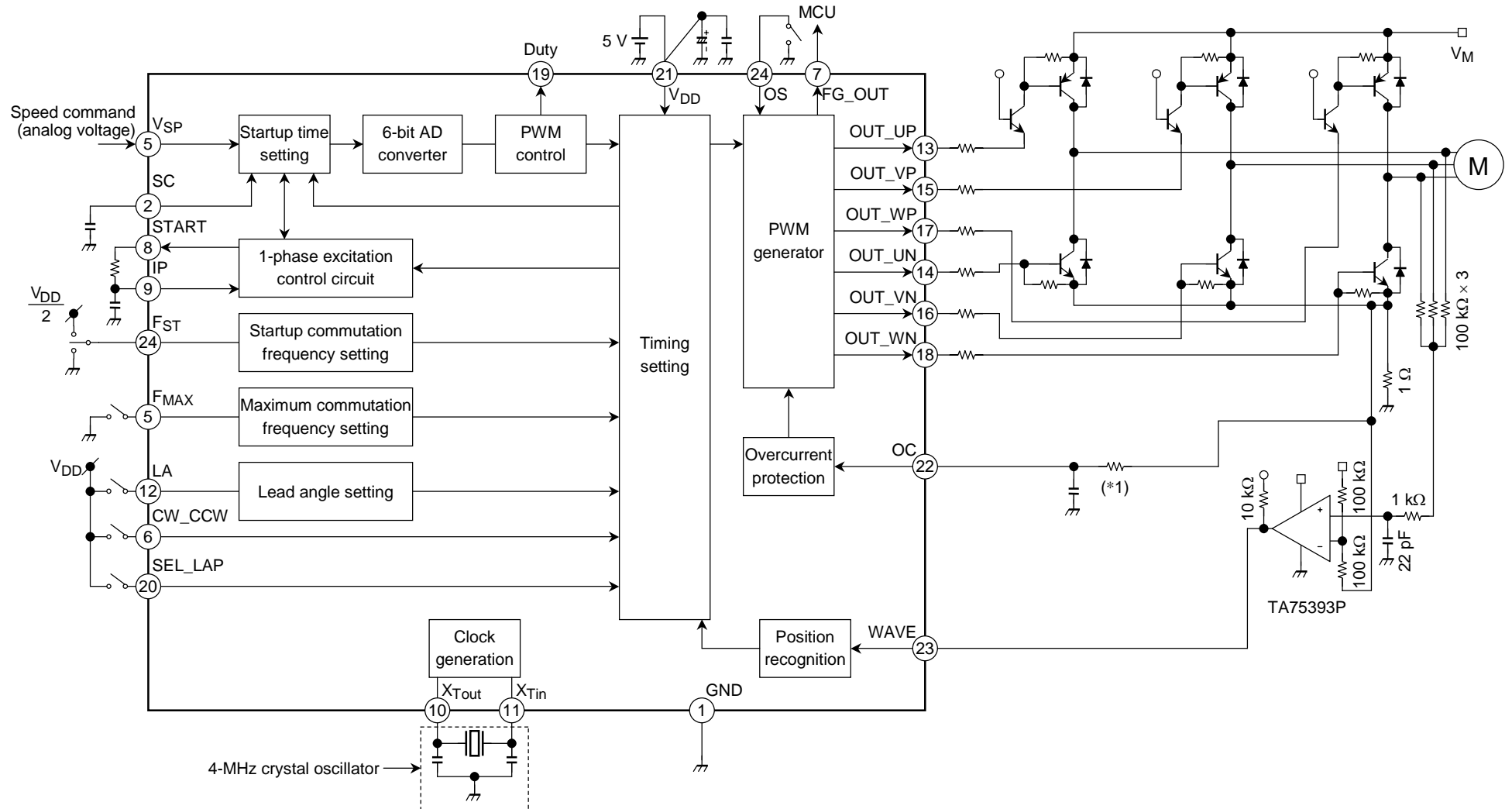
5. XTin and XTout pins



6. OC pin



## Application Circuit Example



Note 1: Because there may be short circuits between outputs, to supply, or to ground, be careful when designing output lines,  $V_{DD}$  lines, and ground lines.

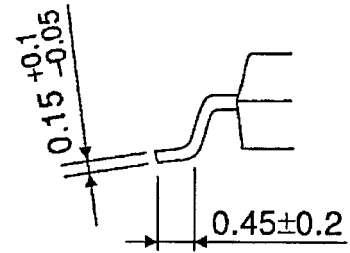
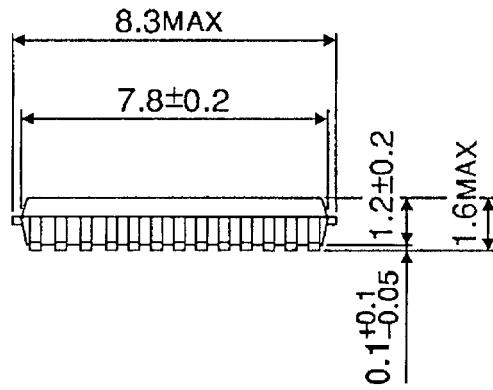
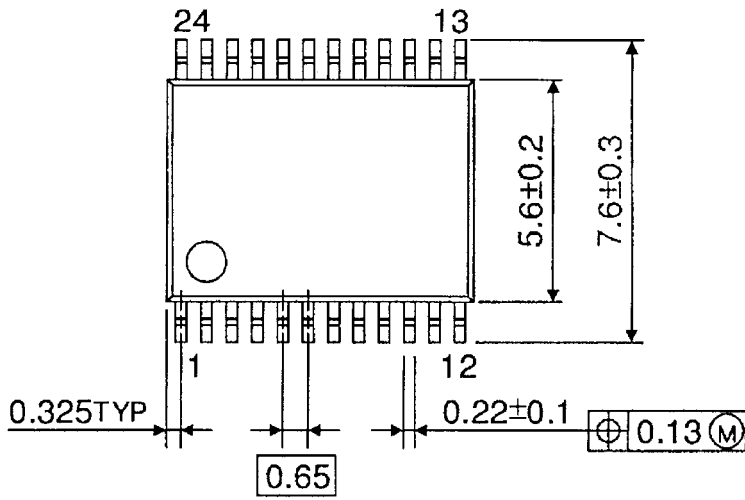
Note 2: The above application circuit including component values is reference only. Because the values may vary depending on the motor type, the optimal values must be determined experimentally.

\*1: Connect a resistor, if necessary, to prevent malfunction due to noise.

**Package Dimensions**

SSOP24-P-300-0.65A

Unit : mm



Weight: 0.14 g (typ.)

**RESTRICTIONS ON PRODUCT USE**

000707EBA

- TOSHIBA is continually working to improve the quality and reliability of its products. Nevertheless, semiconductor devices in general can malfunction or fail due to their inherent electrical sensitivity and vulnerability to physical stress. It is the responsibility of the buyer, when utilizing TOSHIBA products, to comply with the standards of safety in making a safe design for the entire system, and to avoid situations in which a malfunction or failure of such TOSHIBA products could cause loss of human life, bodily injury or damage to property.  
In developing your designs, please ensure that TOSHIBA products are used within specified operating ranges as set forth in the most recent TOSHIBA products specifications. Also, please keep in mind the precautions and conditions set forth in the "Handling Guide for Semiconductor Devices," or "TOSHIBA Semiconductor Reliability Handbook" etc..
- The TOSHIBA products listed in this document are intended for usage in general electronics applications (computer, personal equipment, office equipment, measuring equipment, industrial robotics, domestic appliances, etc.). These TOSHIBA products are neither intended nor warranted for usage in equipment that requires extraordinarily high quality and/or reliability or a malfunction or failure of which may cause loss of human life or bodily injury ("Unintended Usage"). Unintended Usage include atomic energy control instruments, airplane or spaceship instruments, transportation instruments, traffic signal instruments, combustion control instruments, medical instruments, all types of safety devices, etc.. Unintended Usage of TOSHIBA products listed in this document shall be made at the customer's own risk.
- The products described in this document are subject to the foreign exchange and foreign trade laws.
- The information contained herein is presented only as a guide for the applications of our products. No responsibility is assumed by TOSHIBA CORPORATION for any infringements of intellectual property or other rights of the third parties which may result from its use. No license is granted by implication or otherwise under any intellectual property or other rights of TOSHIBA CORPORATION or others.
- The information contained herein is subject to change without notice.