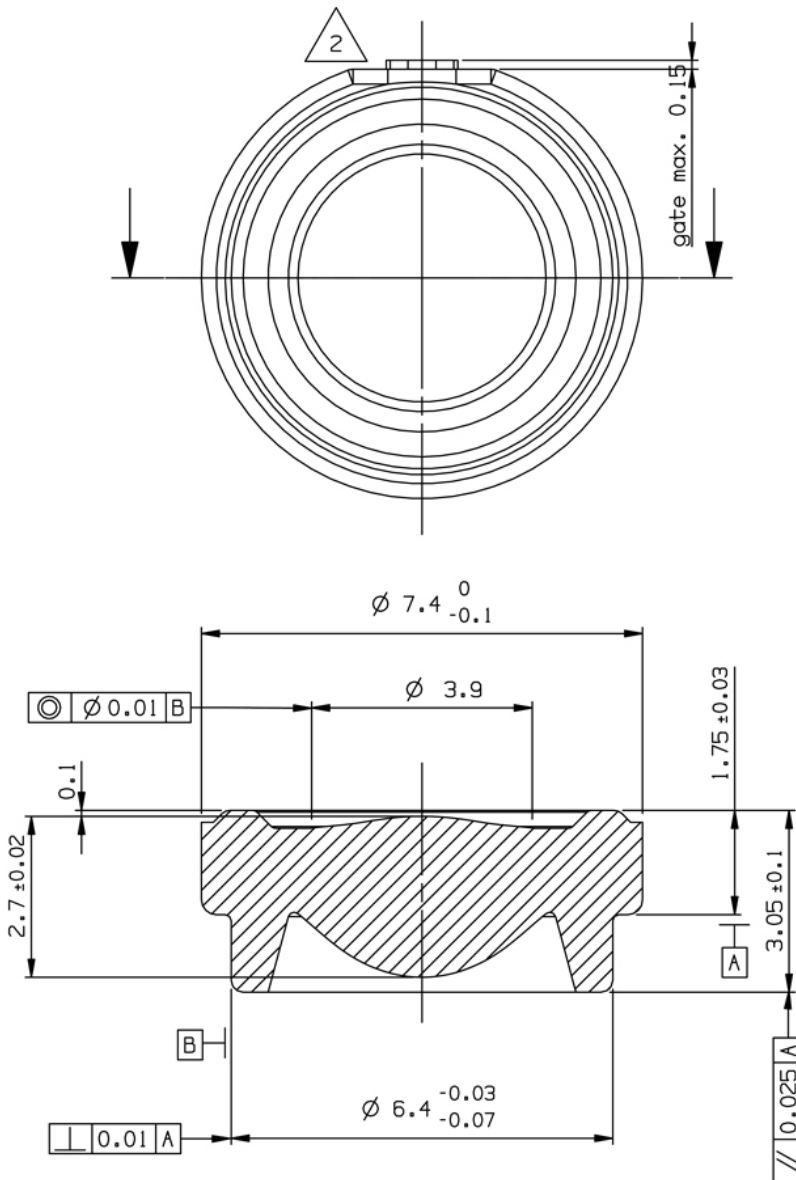




## CAY046



Item	Spec
Lenstype	bi-aspherical
Outer diameter D [mm]	$\phi 7.4$
Thickness lens h [mm]	3.05
N.A.	.4
Clear Aperture CA [mm]	3.7
Focal Length [mm]	4.60 4.64
Back Focal Length BFL [mm]	3.18 3.20
Free Working Distance FWD [mm]	3.08 3.10
RMS Wavefront [mλ] on axis	40
total	70
Optical Tolerance [mm]	.1
Field Radius [mm]	.1
Storage Temperature [°C]	-25 to 70
Operating Temp. [°C]	5 to 65

### General Data

- Transmission [%]: >90. Anti Reflection Coating on Request: Transmission [%]: >99
- Lens Material: Optical Plastic
- Designed with Laser Coverglass: BK7, 0.25mm thick, 0.55mm from source