

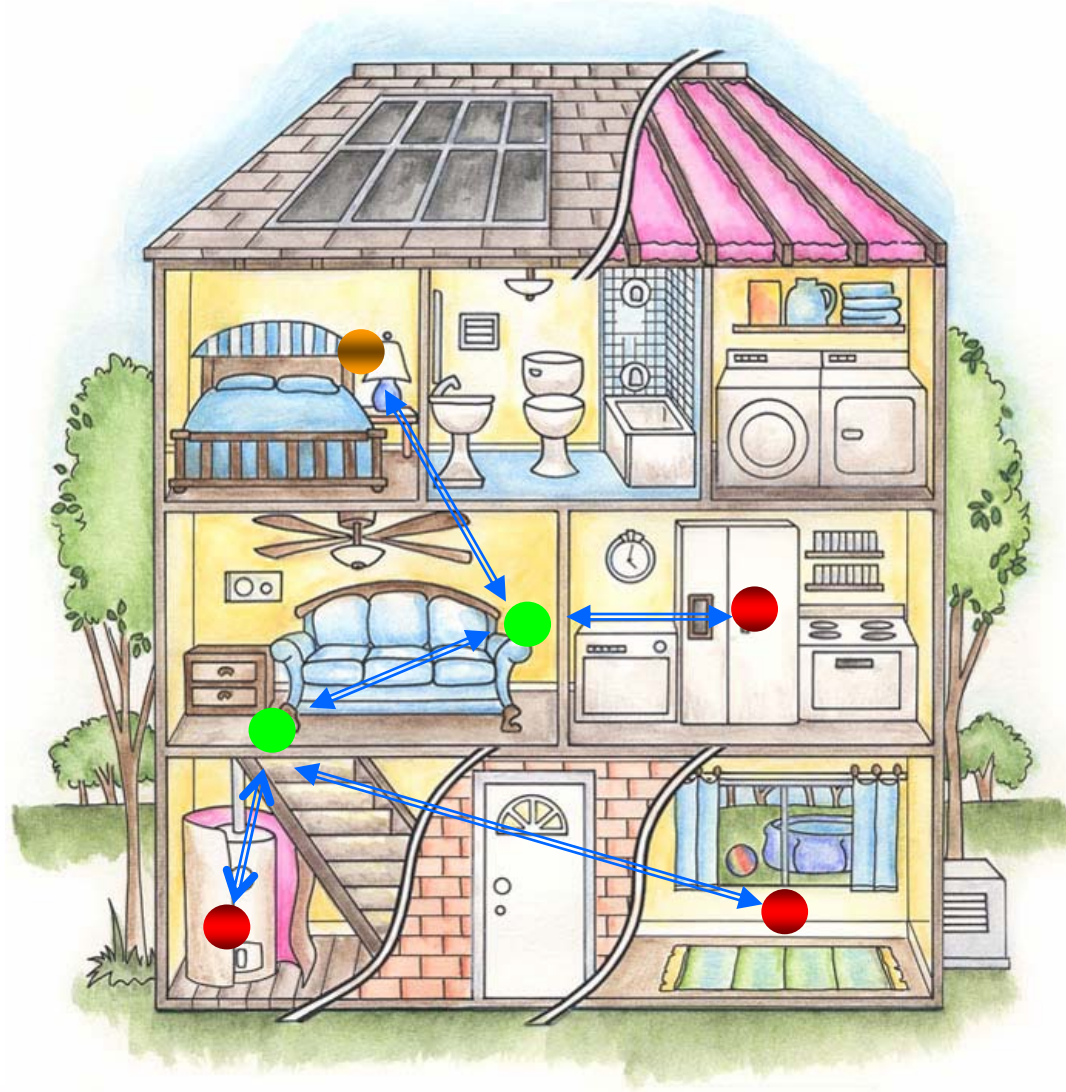


SIM20 Short Range RF

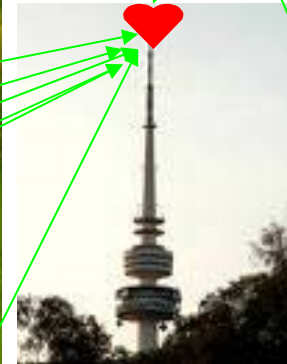
2010

House

- Sensor
- Repeater
- Center



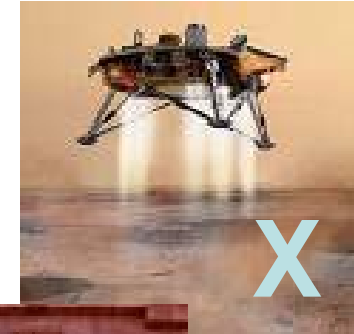
Farmer



Where is my property?



Remote configuration



?



+



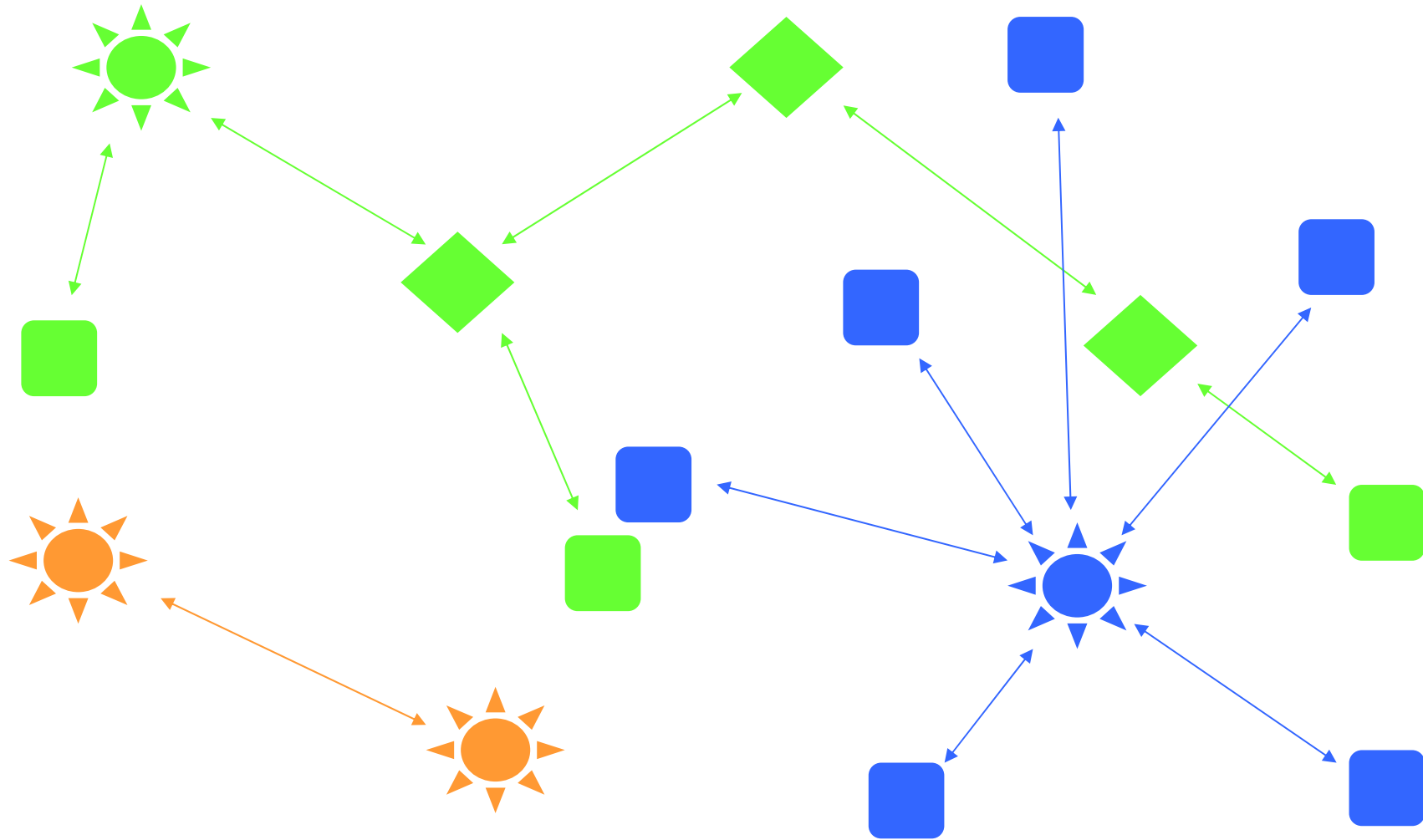
+



=



Sub-network topology



SIM20 Hardware



- **Band**
 - 434, 868, 915MHz
 - Customize: 315, 470MHz
- **DataRate:**
 - Air 2400 -- 128000bps
 - UART 115200bps 8N1..
 - 512 bytes Buffer
- **Distance**
 - 1500m@9600pbs View in sight
- **Modulation: GFSK**

- **Interface**

- Power 1 pin
- GND 10 pins
- ANT 1 pins
- SPI 4 pins
- UART 2 pins

- **Control**

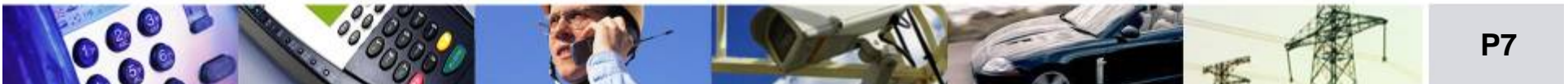
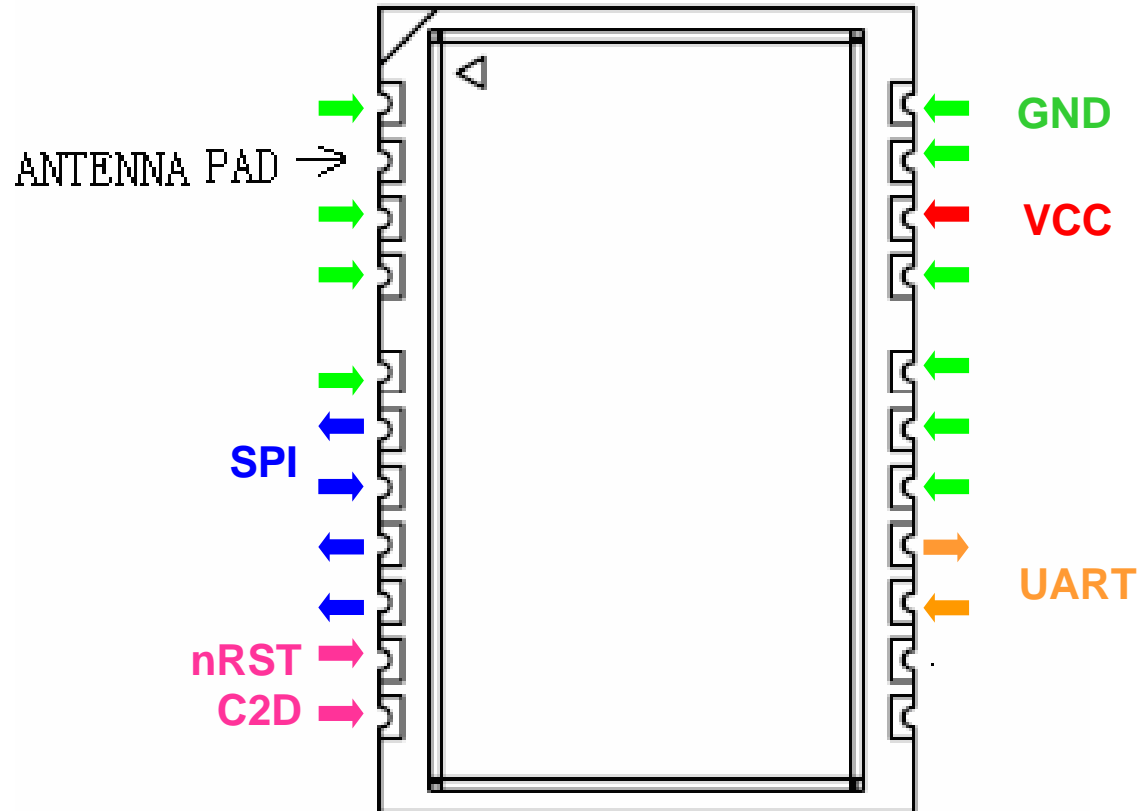
- C2D 1 pin
- nRST 1 pin

- **Power**

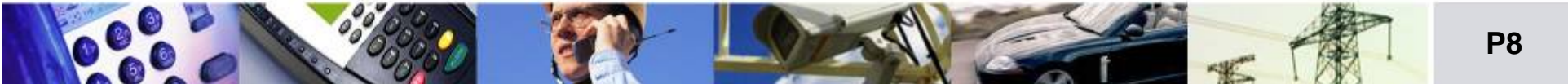
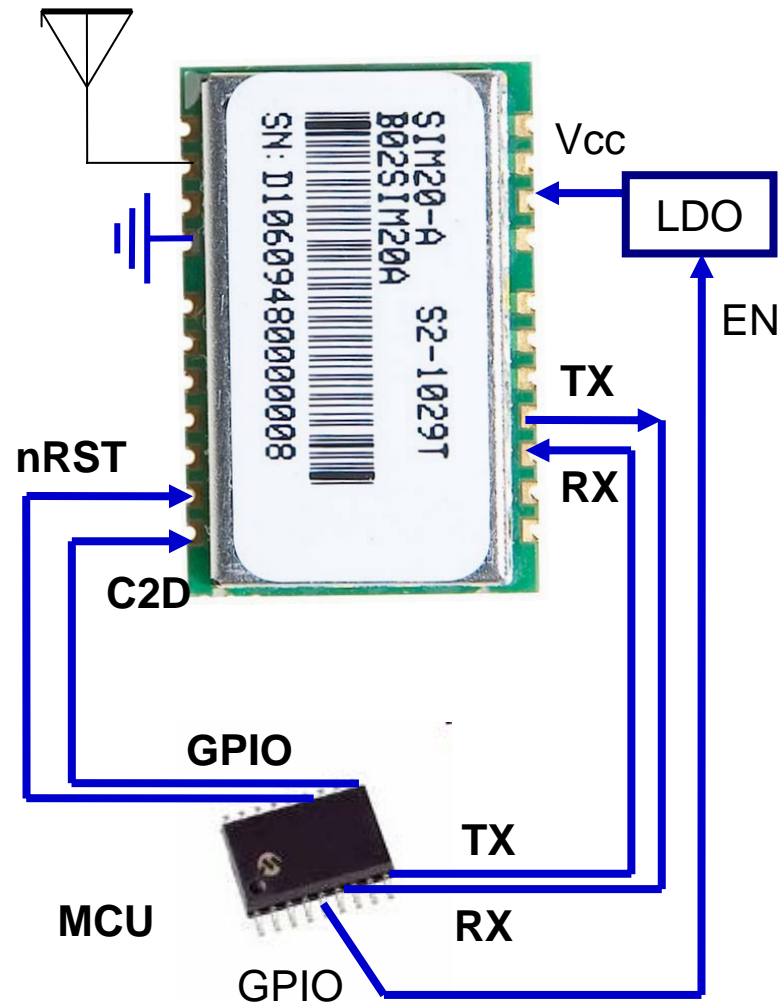
- 3.0 -- 3.6 V
- Sleep 16uA
- Rx 26mA
- Tx 35mA



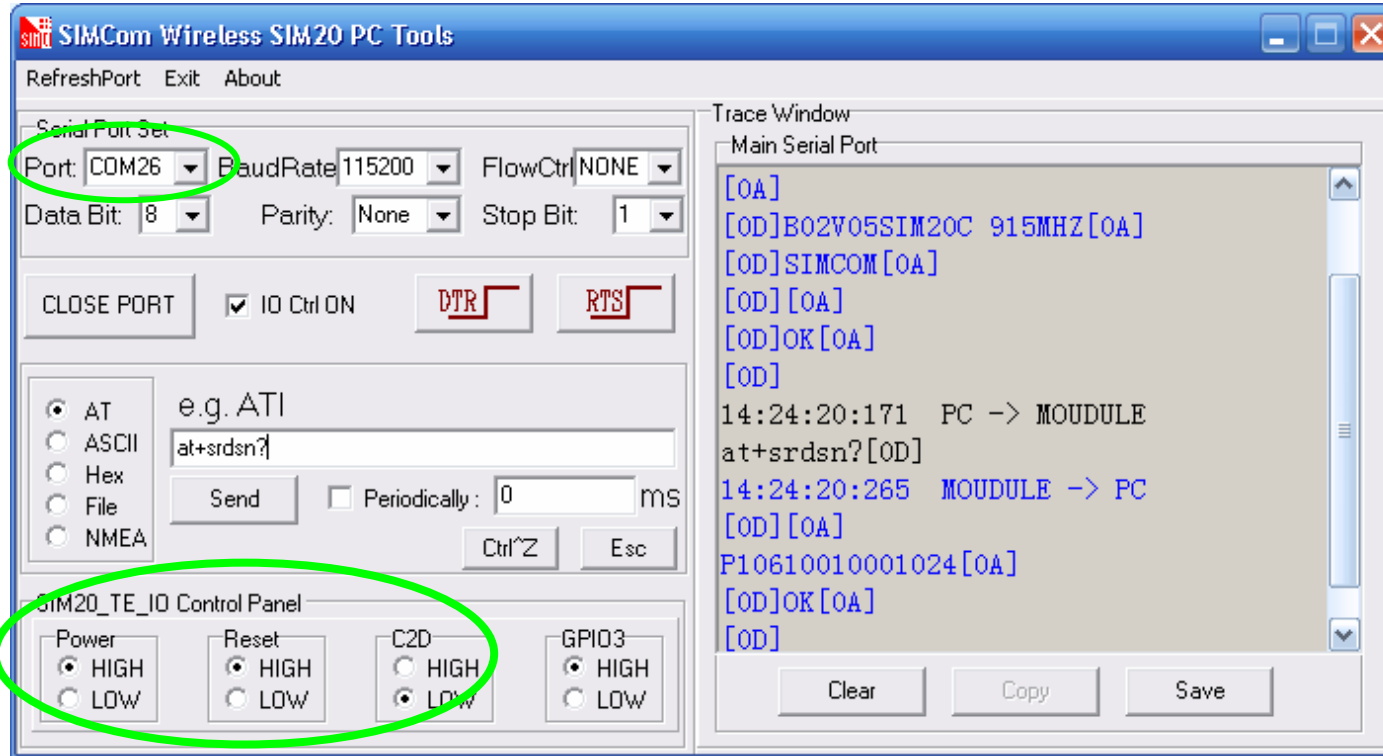
SIM20 Hardware -- Pad



SIM20 Design guide -- Basic control



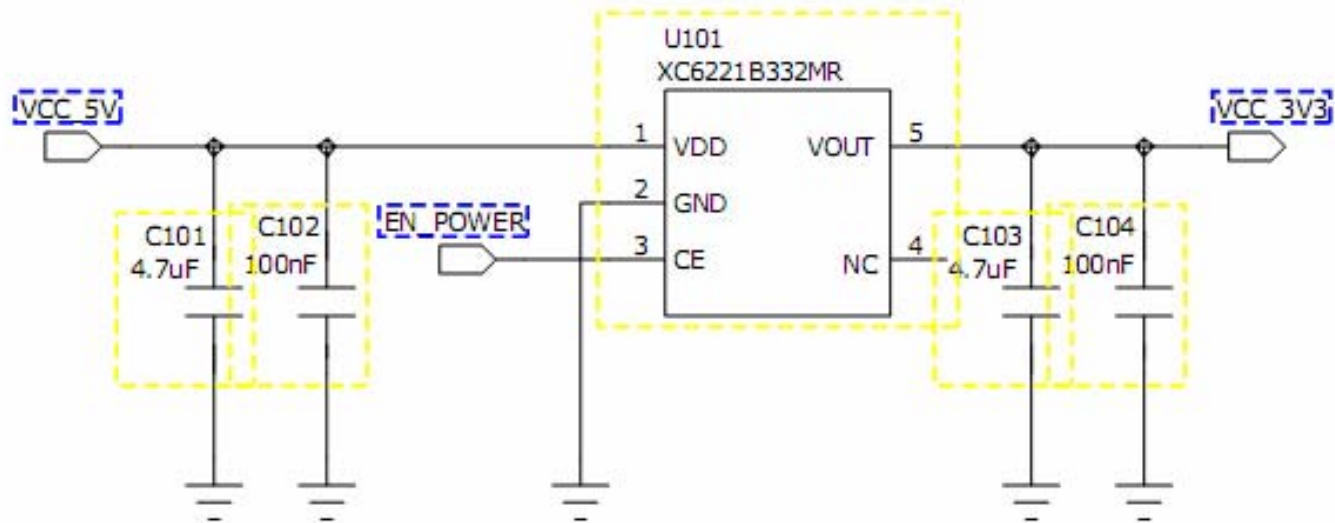
SIM20 UTE



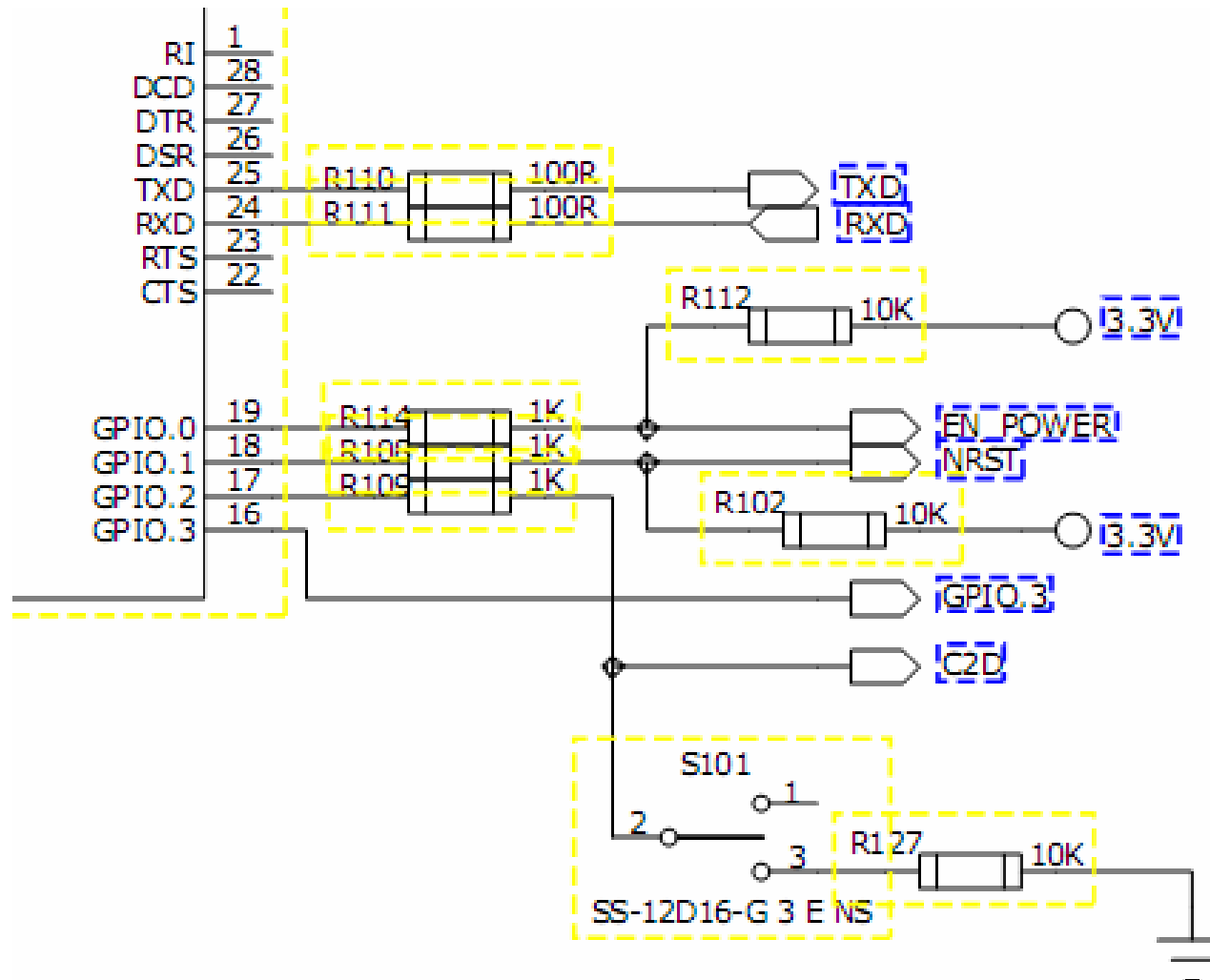
**Note: This tool is licensed to SIM20 user free .
Support windows 2000/XP**



SIM20A_UTE power



SIM20_UTE control



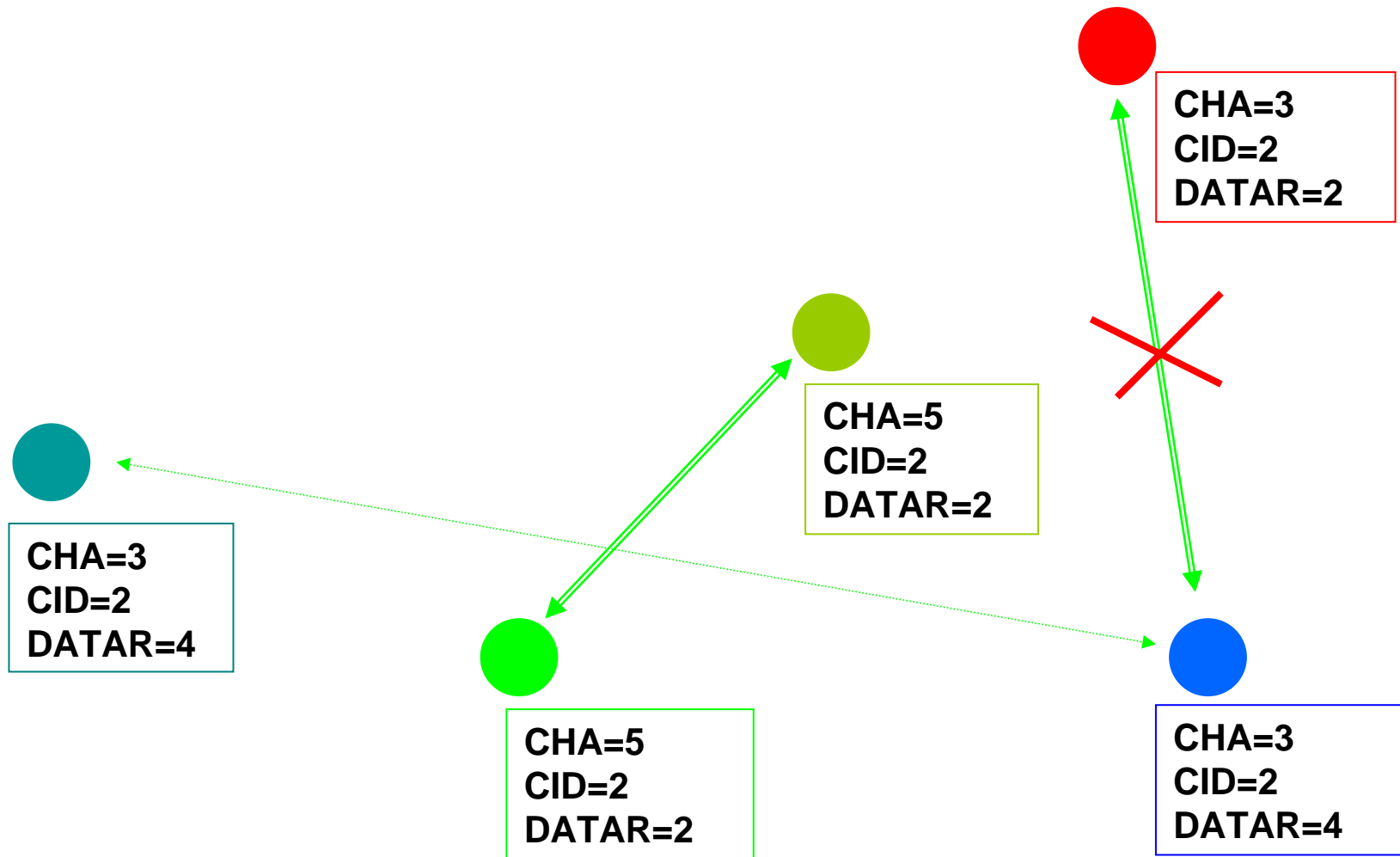
SIM20 Design guide -- Low power

- **SIM20 power consumption (Tx, Rx)**
 - Rx : 26mA
 - Tx : 80mA @18dBm(Peak)
- **Sleep Configuration**
 - sleep time: 1- 65534 ms
 - Sleep power consumption: 16uA
 - Wake up by : Timer, UART
 - Action after Wake up: monitor Rx, monitor UART, Auto report SID



SIM20 sub-network

- Decide sub-network: **CHA, CID, DATAR**



AT Command & Demo

- **Decide sub-network: CHA, CID, DATAR**
- **Decide path: SID, DID, FORWARD(enable/disable)**
- **Send in Command mode (C2D LOW)**
--+SRDSEND
- **Low power: SLEEP, EPS**
--+SRDSLEEP (Sleep duration)
--+SRDEPS (enable/disable Sleep mode, set wake-up mode)
- **Remote Configuration: CONREMOTE, CONF**
--+SRDCONREMOTE (enable/disable remote configuration)
--+SRDCONF (pre-set SN/SID of remote device to be configured)
- **Control: RESET**
-- +SRDRESET
- **Module ID: FIRM, SN, PARAM**
--+SRDFIRM
--+SRDSN
--+SRDPARAM including CHA, CID, SID, DID, DATAR, TXPWR and FORWARD



SIM20 Upgrade

- **Upgrade**
 - Bootloader
 - Firmware,
 - Protection of parameters
- **Demo**
- **Power OFF --> C2D pull down --> Power ON --> Boot menu --> Select“ 1” --> Select right firmware, "B02V01SIM20C.HEX" -->Module auto restart --> If the firmware is send from module , Upgarde successful.**
- **What happened if upgrade fail? SIM20 will re-enter bootloader till a success upgrade**

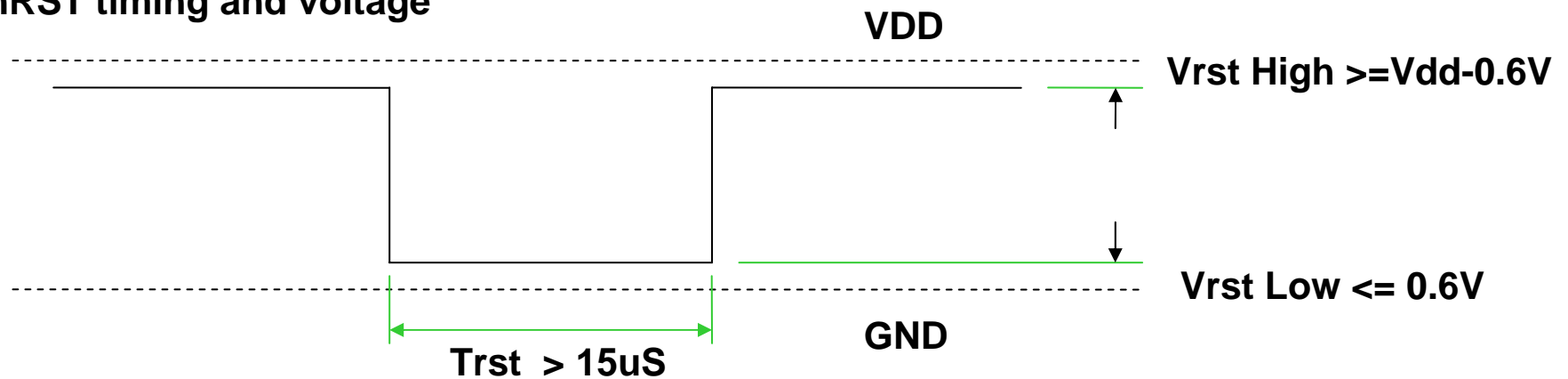


SIM20 Others

- Un-used pin: left open

- **AT+SRDRESET =1** Reset after 1s without change any pre-set parameters
- **AT+SRDRESET=0** Reset after 1s , SIM20 parameters set to default
- All AT command send to SIM20 should be finished by "RETURN" (ASCII HEX = OD)

nRST timing and voltage



Highlight

- **Reduce cost**
 - Reduce complex of using RF, 1 communication port + 3 GPIOs
 - Innovation AT command for easy programming
 - No rental as Cellular
 - Using 3.0 - 3.6V power , easy for design
 - SMT with a very small size @ 21x13.8x2.6mm, saving cost on PCB
- **More flexibility**
 - Support Repeat/Forward, more choice to setup sub-network in complex environment
 - wake up choice
 - Full control on each parameters
 - Data mode & Command mode selected by one pin (C2D)
- **High performance**
 - Sensitivity -118db , bi-direction , half-duplex
 - 1500m@9600bps
 - Working temperature: -30° C to 80° C
 - Full rang: 434MHz, 868MHz, 915MHz
 - Low power consumption: 16uA @ sleep, 26mA @ Rx, 35mA @ Tx(RMS)



Thanks

