

174045-2 ✓ ACTIVE

AMP | Multilock Connector System

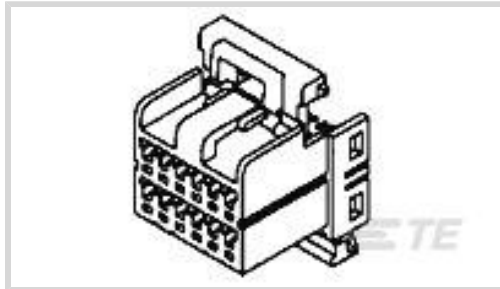
TE Internal #: 174045-2

Multilock Connector System, Housing for Female Terminals, Wire-to-Wire / Wire-to-Device / Wire-to-Board, 12 Position, 2.5mm [.098in] Centerline, Black

[View on TE.com >](#)



Connectors > Automotive Connectors > Connector Housings > MULTILOCK, CONNECTOR HOUSING



Connector & Housing Type: **Housing for Female Terminals**

Mating Tab Width: **1 mm [.039 in]**

Connector System: **Wire-to-Board, Wire-to-Device, Wire-to-Wire**

Number of Positions: **12**

Centerline (Pitch): **2.5 mm [.098 in]**

[All MULTILOCK, CONNECTOR HOUSING \(577\)](#)

Features

Product Type Features

Connector & Housing Type	Housing for Female Terminals
Connector System	Wire-to-Board, Wire-to-Device, Wire-to-Wire
Sealable	No
Hybrid Connector	No
Primary Locking Feature	Integrated in Housing

Configuration Features

Number of Positions	12
Number of Rows	2

Electrical Characteristics

Operating Voltage	12 VDC
Nominal Voltage Architecture	12 V

Body Features

Cable Exit Angle	180°
Body Material	PBT
Primary Product Color	Black

Contact Features



Mating Tab Width	1 mm[.039 in]
------------------	---------------

Mechanical Attachment

Mounting Feature	Without
------------------	---------

Terminal Position Assurance	Yes
-----------------------------	-----

Strain Relief	No
---------------	----

Mating Alignment Type	Polarized
-----------------------	-----------

Housing Features

Centerline (Pitch)	2.5 mm[.098 in]
--------------------	-----------------

Dimensions

Product Width	18.1 mm[.713 in]
---------------	------------------

Product Length	18.5 mm[.728 in]
----------------	------------------

Product Height	18.9 mm[.744 in]
----------------	------------------

Row-to-Row Spacing	3 mm, 5 mm[.118 in][.197 in]
--------------------	------------------------------

Usage Conditions

Operating Temperature (Max)	70 °C, 75 °C, 80 °C, 85 °C, 90 °C, 100 °C, 105 °C[158 °F][167 °F][176 °F][185 °F][194 °F][212 °F][221 °F]
-----------------------------	---

Operating Temperature Range	-30 – 105 °C[-22 – 221 °F]
-----------------------------	----------------------------

Operation/Application

Circuit Application	Signal
---------------------	--------

Industry Standards

UL Flammability Rating	UL 94HB
------------------------	---------

Packaging Features

Packaging Quantity	100
--------------------	-----

Packaging Method	Package
------------------	---------

Other

Serviceable	Yes
-------------	-----

Connector Position Assurance Capable	No
--------------------------------------	----

Product Compliance

For compliance documentation, visit the product page on [TE.com](https://www.te.com)>

EU RoHS Directive 2011/65/EU	Compliant
------------------------------	-----------



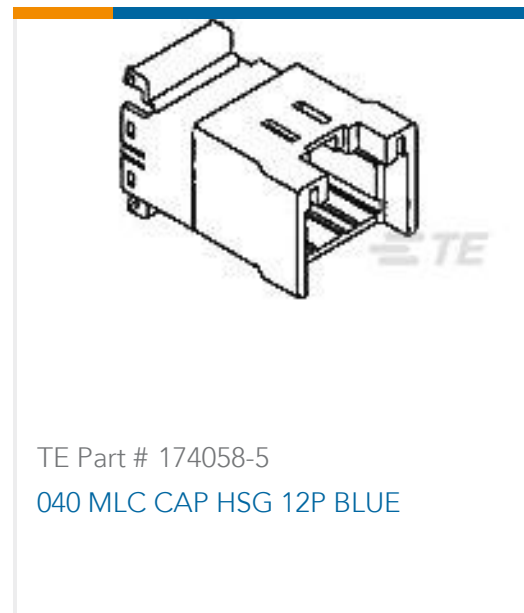
EU ELV Directive 2000/53/EC	Compliant
China RoHS 2 Directive MIIT Order No 32, 2016	No Restricted Materials Above Threshold
EU REACH Regulation (EC) No. 1907/2006	Current ECHA Candidate List: JUN 2020 (209) Candidate List Declared Against: JUL 2019 (201) SVHC > Threshold: Not Yet Reviewed
Halogen Content	Low Halogen - Br, Cl, F, I < 900 ppm per homogenous material. Also BFR/CFR/PVC Free
Solder Process Capability	Not applicable for solder process capability

Product Compliance Disclaimer

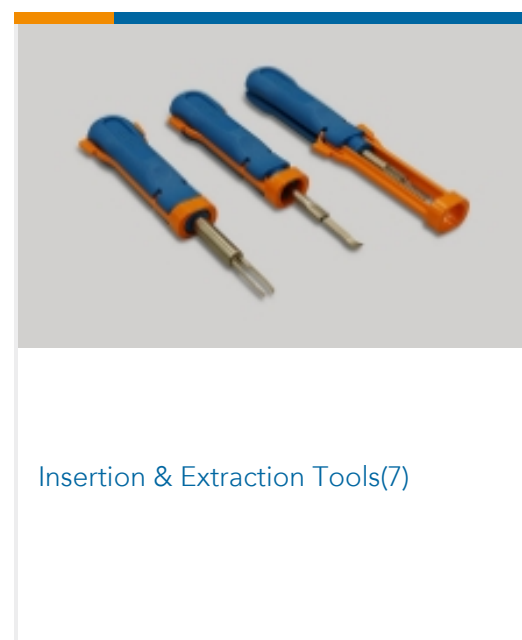
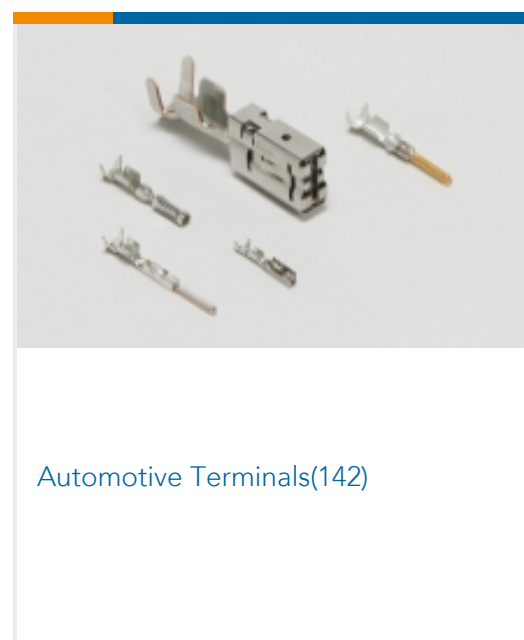
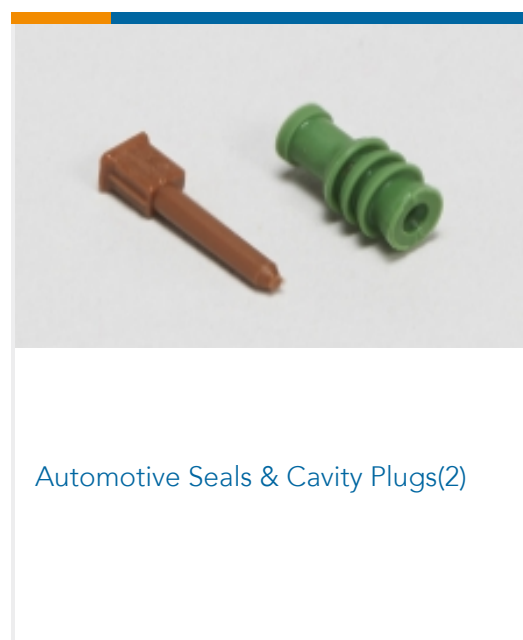
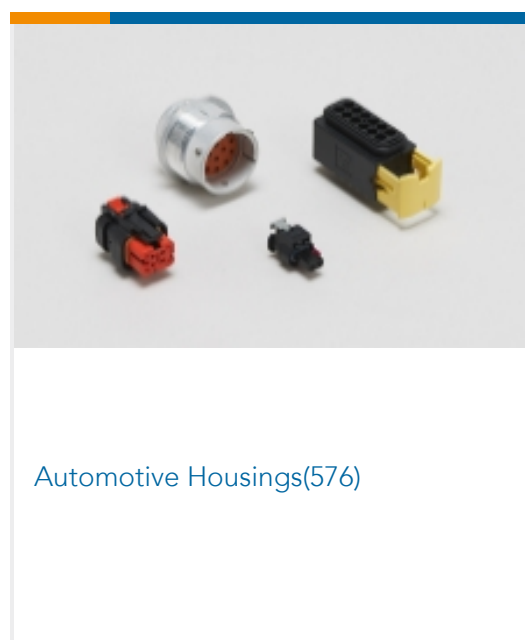
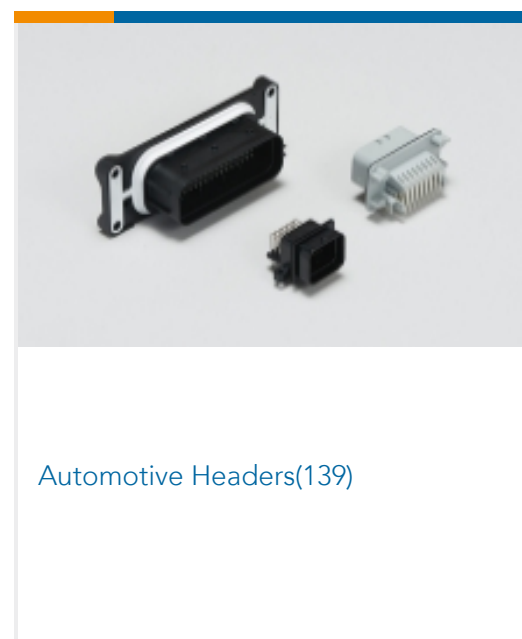
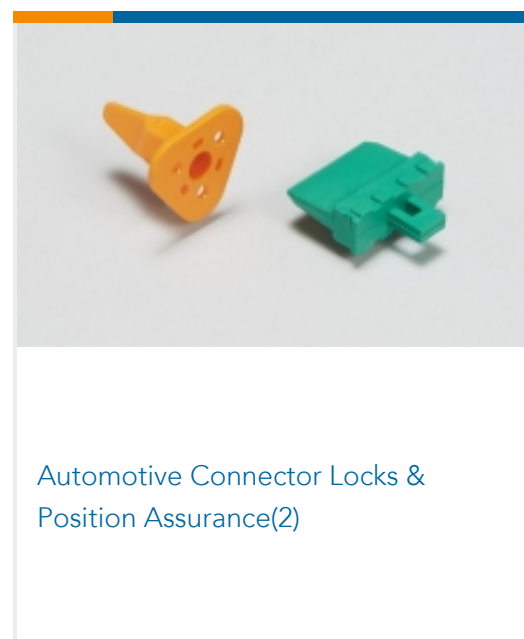
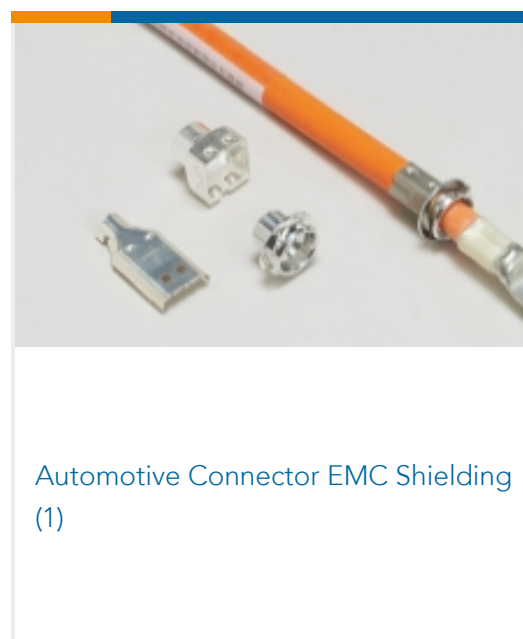
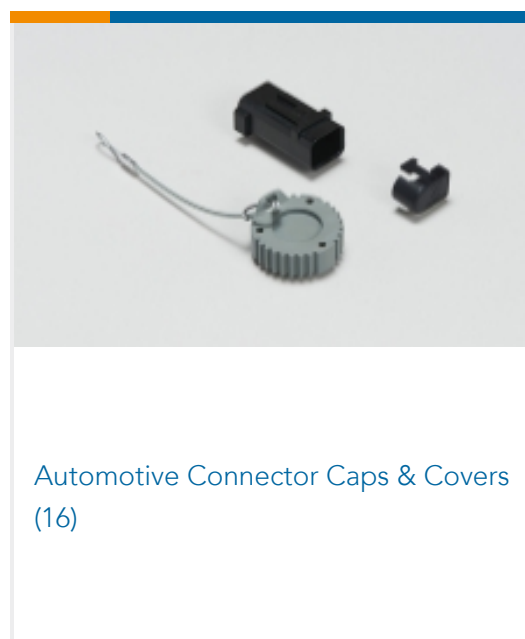
This information is provided based on reasonable inquiry of our suppliers and represents our current actual knowledge based on the information they provided. This information is subject to change. The part numbers that TE has identified as EU RoHS compliant have a maximum concentration of 0.1% by weight in homogenous materials for lead, hexavalent chromium, mercury, PBB, PBDE, DBP, BBP, DEHP, DIBP, and 0.01% for cadmium, or qualify for an exemption to these limits as defined in the Annexes of Directive 2011/65/EU (RoHS2). Finished electrical and electronic equipment products will be CE marked as required by Directive 2011/65/EU. Components may not be CE marked. Additionally, the part numbers that TE has identified as EU ELV compliant have a maximum concentration of 0.1% by weight in homogenous materials for lead, hexavalent chromium, and mercury, and 0.01% for cadmium, or qualify for an exemption to these limits as defined in the Annexes of Directive 2000/53/EC (ELV). Regarding the REACH Regulation, the information TE provides on SVHC in articles for this part number is based on the latest European Chemicals Agency (ECHA) 'Guidance on requirements for substances in articles' posted at this URL: <https://echa.europa.eu/guidance-documents/guidance-on-reach>

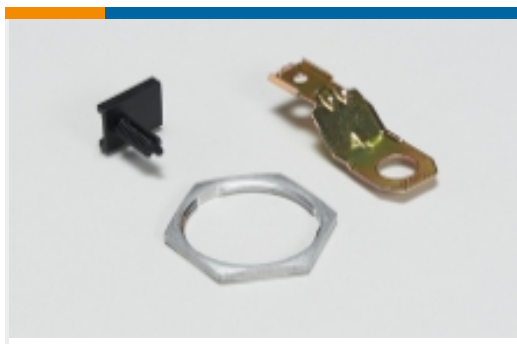
Compatible Parts

<p>TE Part # CAT-M9194-T273 MULTILOCK, RECEPTACLE AND TAB</p>	<p>TE Part # CAT-SIGH262 SIGNAL HEADER</p>	<p>TE Part # CAT-M9194-CH8172 MULTILOCK, CONNECTOR HOUSING</p>	<p>TE Part # CAT-HPCH5372 HIGH PIN COUNT HEADER</p>
<p>TE Part # 174051-2 040 MULTILOCK I/O CONN 12PASSY</p>	<p>TE Part # 175062-2 040 MULTILOCK REC CONT. L/P</p>	<p>TE Part # 5174151-2 040/070 MULTI I/O CONN 64PASSY</p>	<p>TE Part # 4-175448-2 HYBRID I/O CAP ASSY 54P</p>



Also in the Series | Multilock Connector System





Other Automotive Connector
Accessories(9)

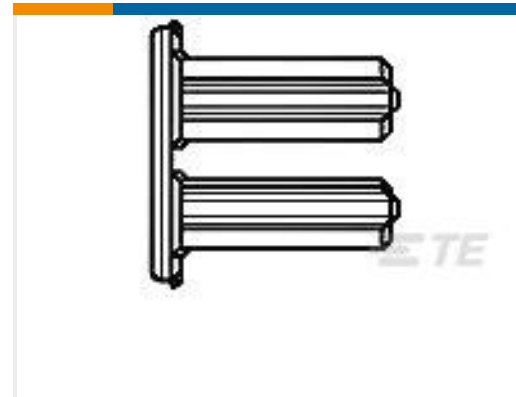
Customers Also Bought



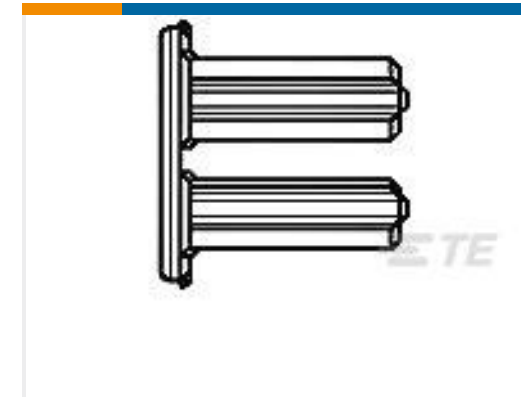
TE Part #174044-2
MULTILOCK, CONNECTOR HOUSING



TE Part #175062-1
MULTILOCK, RECEPTACLE AND TAB



TE Part #967633-1
2. KONT-SICHERUNG 15P



TE Part #967634-1
2. RETAINER FOR 18POS



TE Part #1394872-1
SEALING PLUG 1,5MM



TE Part #1394871-1
MOS DICHTSTOPFEN

Documents

Product Drawings

CAD Files

3D PDF

3D

Customer View Model

[ENG_CVM_CVM_174045-2_K.2d_dxf.zip](#)

English

Customer View Model

[ENG_CVM_CVM_174045-2_K.3d_igs.zip](#)

English

Customer View Model

[ENG_CVM_CVM_174045-2_K.3d_stp.zip](#)

English

By downloading the CAD file I accept and agree to the [Terms and Conditions](#) of use.

Datasheets & Catalog Pages

[MULTILOCK Connector System](#)



English

Product Specifications

Application Specification

English

Crimping .040 Series Rec Contact for CAVUS Wires

English

Crimping .040 Series, Receptacle Contact

Japanese

Application Specification

Japanese

Product Environmental Compliance

MD_174045-2_091920172230_dmtec

English

MD_174045-2_091920172230_dmtec

English

Instruction Sheets

Instruction Sheet (non U.S.)

English

040 SERIES MULTI-LOCK CONNECTOR

English