

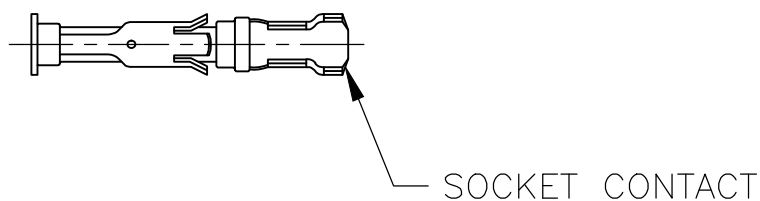
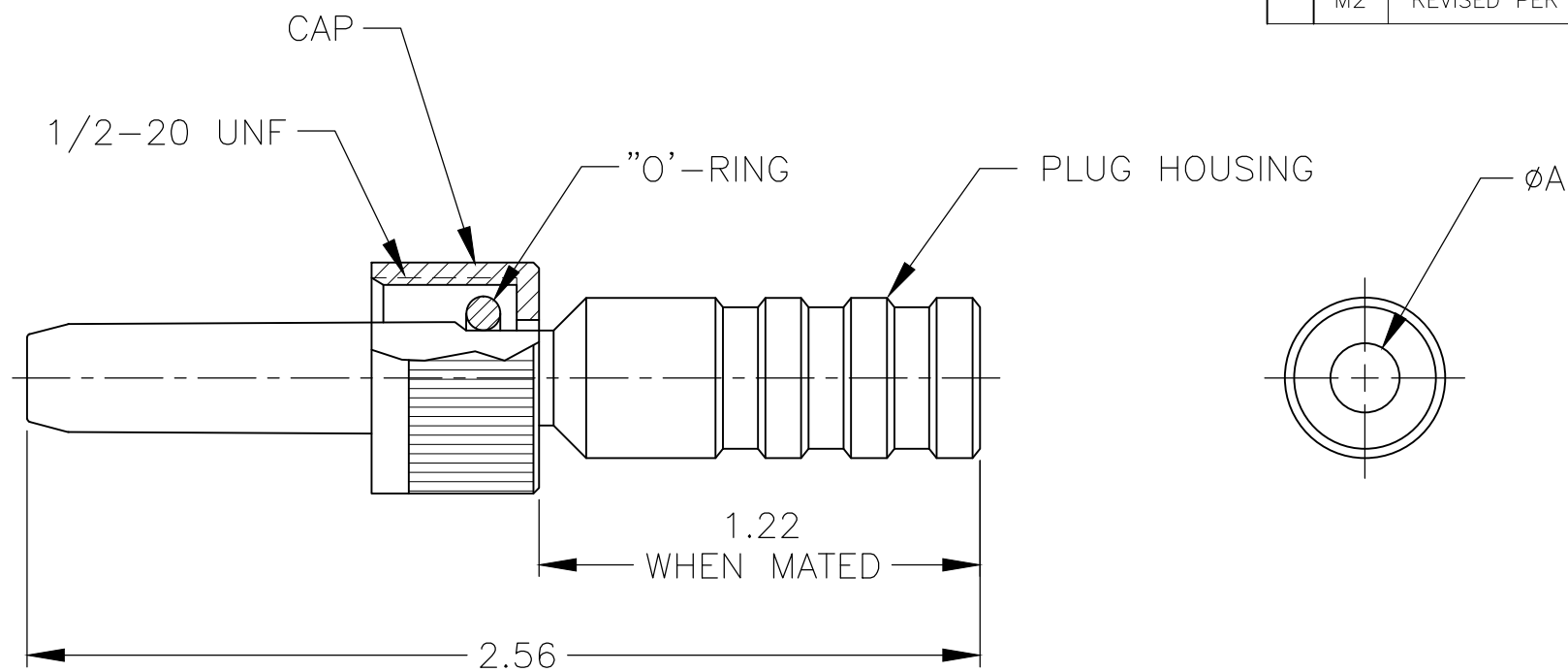
THIS DRAWING IS UNPUBLISHED.

RELEASED FOR PUBLICATION

ALL RIGHTS RESERVED.


© COPYRIGHT - By -

LOC	DIST	REVISIONS					
DF	SO	P	LTR	DESCRIPTION	DATE	DWN	APVD
			M2	REVISED PER ECO-14-007310	28AUG2014	MGM	CT



	20-22 AWG	.302	1-66399-0	5-861610-4
	16-18 AWG	.185	1-66101-9	5-861610-3
	16-18 AWG	.302	1-66101-9	5-861610-2
	20-22 AWG	.185	1-66399-0	5-861610-1
OBSOLETE	14 AWG	.302	66360-2	861610-8
OBSOLETE	14 AWG	.185	66360-2	861610-7
	-	.302	-	861610-6
	-	.185	-	861610-5
	20-22 AWG	.302	66399-1	861610-4
	16-18 AWG	.185	66101-2	861610-3
	16-18 AWG	.302	66101-2	861610-2
	20-22 AWG	.185	66399-1	861610-1
	SOCKET WIRE SIZE	DIM A	SOCKET CONTACT TYPE III+ QTY = 1	PART NUMBER

1. MAX VOLTAGE AFTER PROPER ASSEMBLY: 20 KVDC
2. MATES WITH TE P/N'S: 861611, 861753 AND 862197.

THIS DRAWING IS A CONTROLLED DOCUMENT.		DWN C.C.THOMAS 11OCT04	 TE Connectivity	
DIMENSIONS: INCHES		CHK D.EABY 10-12-04		
TOLERANCES UNLESS OTHERWISE SPECIFIED:		APVD D.EABY 10-12-04	NAME KIT, HI-VOLTAGE PLUG, LGH	
0 PLC ± - 1 PLC ± - 2 PLC ± .01 3 PLC ± .005 4 PLC ± - ANGLES ± -		PRODUCT SPEC -	-	
MATERIAL -		FINISH -	APPLICATION SPEC -	RESTRICTED TO -
		WEIGHT -	SIZE A3	CAGE CODE 00779
			DRAWING NO C-861610	REV M2
		CUSTOMER DRAWING		SCALE 2:1
				SHEET 1 OF 1

Mouser Electronics

Authorized Distributor

Click to View Pricing, Inventory, Delivery & Lifecycle Information:

[TE Connectivity:](#)

[861610-3](#)