

# Ceramic Filters (CERAFIL®)/Ceramic Discriminators for Communications Equipment



## kHz Type Ceramic Discriminators

Ceramic discriminator consists of wide band piezoelectric resonator.

It is ideal for mobile communication equipments due to its small size and light weight.

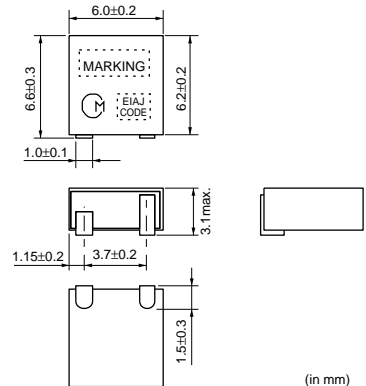
Standard line include products for wide range of application, from cordless telecom to cellular telephone, making non-adjustment and shrinking of the detection circuit possible.

### ■ Features

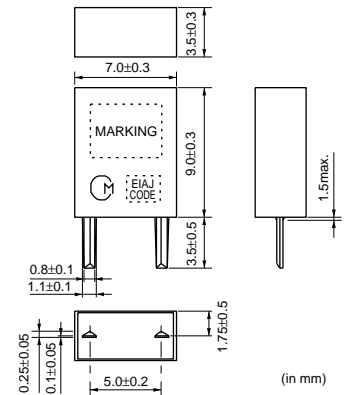
1. Small in size and light weight.
2. Realize no-adjustment in detection circuit.
3. High sensitivity and stability.
4. Wide range of standard products are available for various ICs.
5. Operating temperature range : -20 to +80 (degree C)  
Storage temperature range : -40 to +85 (degree C)



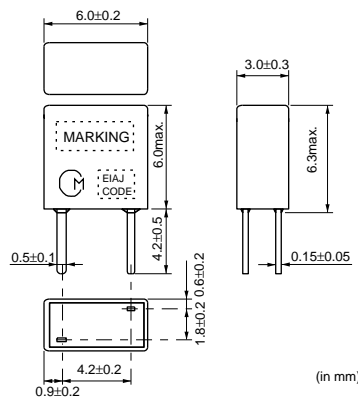
CDBC Series



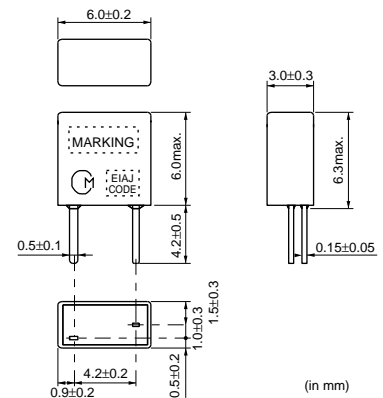
CDBLA Series



CDBLB\_CAX Series



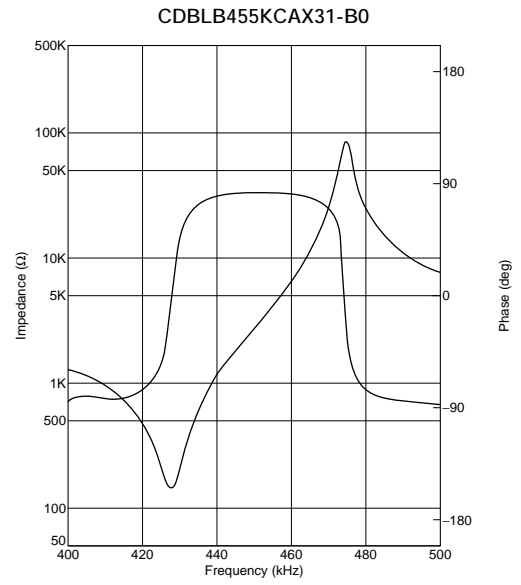
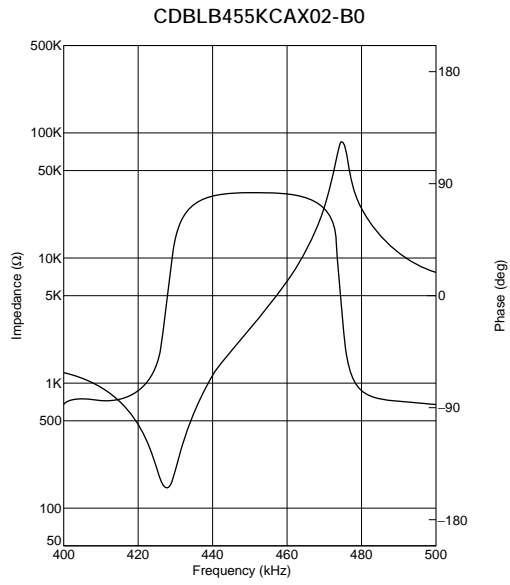
CDBLB\_CAY Series



### Specified by Impedance Characteristics 1

Part Number	Nominal Center Frequency (fn) (kHz)	Inclination of Impedance Curve(1)	Inclination of Impedance Curve(2)	Capacitance (C)	IC	IC Maker	Type
<b>CDBLB455KCAX02-B0</b>	455	447.0±1.5kHz (at  Z =2.05kohm)	463.0±1.5kHz (at  Z =10.0kohm)	140pF±20%	TA8104F	TOSHIBA	PLASTIC
<b>CDBLB455KCAX31-B0</b>	455	447.0±1.5kHz (at  Z =2.05kohm)	463.0±1.5kHz (at  Z =10.0kohm)	140pF±20%	TA31141	TOSHIBA	PLASTIC

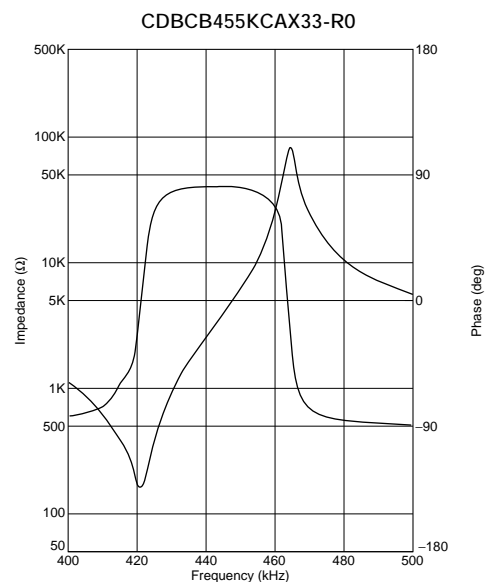
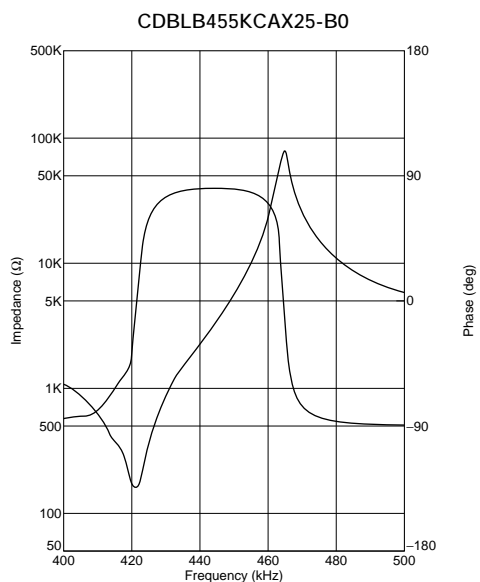
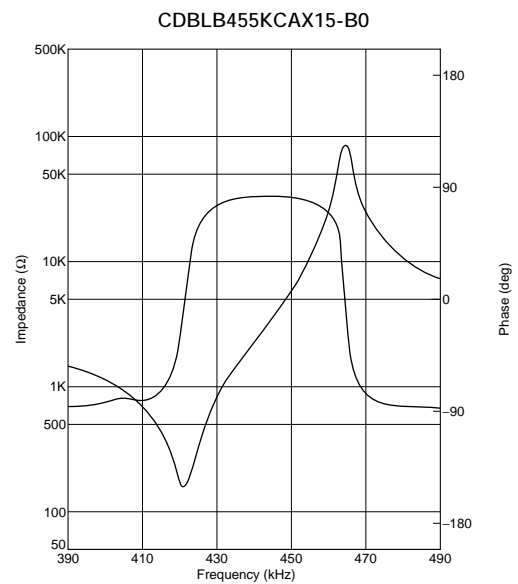
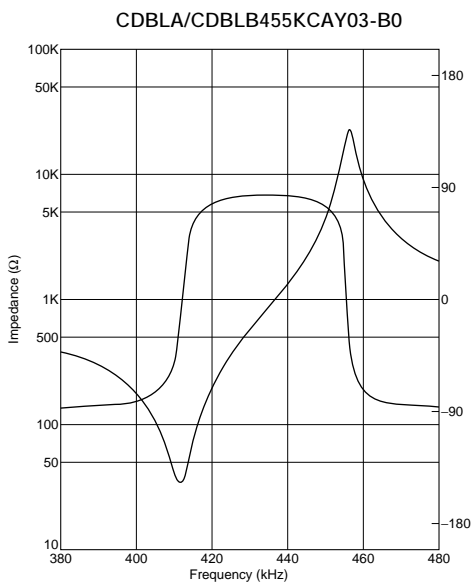
### ■ Impedance Curve Specification 1



## Specified by Impedance Characteristics 2

Part Number	Nominal Center Frequency (fn) (kHz)	Anti-resonant Frequency (Fa)	Delta F (Fa-Fr)	Resonant Resistance (R)	Capacitance (C)	IC	IC Maker	Type
<b>CDBC455KCAX33-R0</b>	-	458.0±1.5kHz	42±4.0kHz	300ohm max.	280pF±20%	CXA1474	SONY	SMD
<b>CDBLA455KCAY03-B0</b>	-	455.0±1.5kHz	48±5.0kHz	70ohm max.	600pF±20%	CXA1184	SONY	PLASTIC
<b>CDBLB455KCAY03-B0</b>	-	455.0±1.5kHz	46±5.0kHz	70ohm max.	550pF±20%	CXA1184M	SONY	PLASTIC
<b>CDBLB455KCAX15-B0</b>	-	463.5±1.0kHz	43±2.0kHz	300ohm max.	140pF±20%	CXA1183M	SONY	PLASTIC
<b>CDBLB455KCAX25-B0</b>	455	465.0±1.5kHz	45±4.0kHz	300ohm max.	135pF±20%	CXA1484	SONY	PLASTIC
<b>CDBLB455KCAX33-B0</b>	455	465.0±1.5kHz	45±4.0kHz	300ohm max.	135pF±20%	CXA1474	SONY	PLASTIC

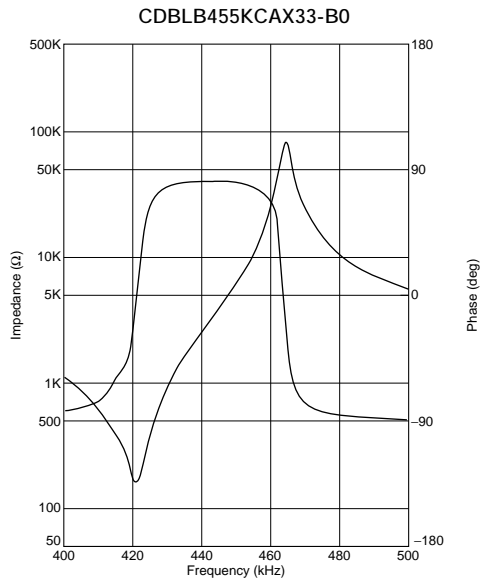
### ■ Impedance Curve Specification 2



Continued on the following page.

↳ Continued from the preceding page.

## ■ Impedance Curve Specification 2



## Specified by Recovered Audio Characteristics

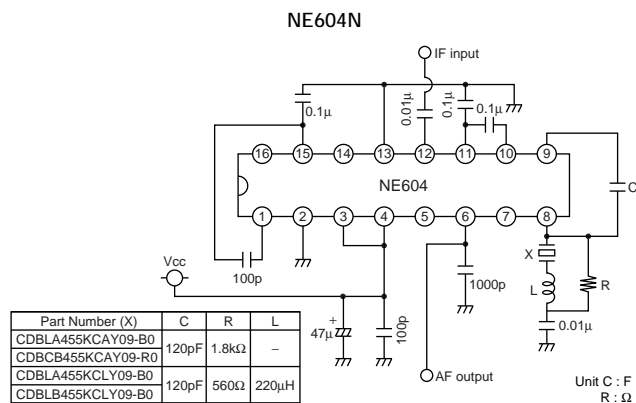
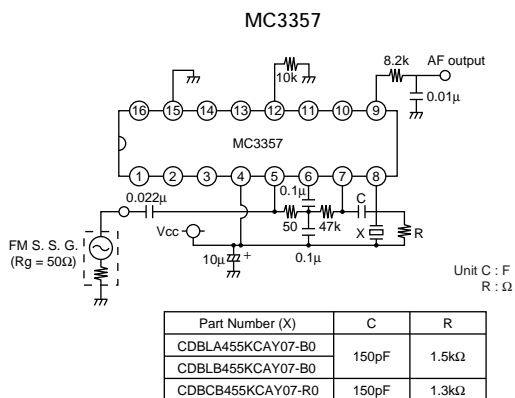
Part Number	Nominal Center Frequency (fn) (kHz)	Recovered Audio 3dB BW (kHz)	Recovered Audio Output (mV)	Distortion (at fn) (%)	Distortion (%)	IC	IC Maker	Type
<b>CDBC455KCAY07-R0</b>	455	fn±4.0 min.	350 ±60	3.0 max.	-	MC3357	MOTOROLA	SMD
<b>CDBC455KCAY09-R0</b>	455	fn±4.0 min.	120 ±40	1.5 max.	-	NE604N	PHILIPS	SMD
<b>CDBC455KCAY13-R0</b>	455	fn±4.0 min.	330 ±50	4.0 max.	-	CXA1003BM	SONY	SMD
<b>CDBC455KCAY16-R0</b>	455	fn±4.0 min.	175 ±40	2.0 max.	-	MC3372	MOTOROLA	SMD
<b>CDBC455KCAY21-R0</b>	455	fn±4.0 min.	55 ±20	2.0 max.	-	TA31132	TOSHIBA	SMD
<b>CDBC455KCAY24-R0</b>	455	fn±4.0 min.	100 ±40	2.0 max.	-	TA31136	TOSHIBA	SMD
<b>CDBC455KCAY27-R0</b>	455	fn±4.0 min.	90 ±30	2.0 max.	-	TK10487	TOKO	SMD
<b>CDBC455KCAY28-R0</b>	455	fn±4.0 min.	40 ±20	3.0 max.	-	TA31142F	TOSHIBA	SMD
<b>CDBC455KCAY29-R0</b>	455	fn±4.0 min.	100 ±30	2.5 max.	-	NE605	PHILIPS	SMD
<b>CDBC455KCAY32-R0</b>	455	fn±4.0 min.	40 ±20	3.0 max.	-	TA31143	TOSHIBA	SMD
<b>CDBC455KCAY35-R0</b>	455	fn±4.0 min.	100 ±40	2.5 max.	-	TK10930	TOKO	SMD
<b>CDBC455KCAY40-R0</b>	455	fn±4.0 min.	40 ±20	3.5 max.	-	TA31145	TOSHIBA	SMD
<b>CDBC455KCAY49-R0</b>	455	fn±4.0 min.	45 ±10	3.0 max.	-	MC3361	MOTOROLA	SMD
<b>CDBC455KCAY50-R0</b>	455	fn±4.0 min.	64 ±6.4	4.0 max.	-	CXA3117N	SONY	SMD
<b>CDBC455KCLX36-R0</b>	455	fn±13.0 min.	90 ±30	2.5 max.	5.0 max. [within fn ±6kHz]	NE(SA)606 /NE(SA)616	PHILIPS	SMD
<b>CDBC455KCLX39-R0</b>	455	fn±11.0 min.	130 ±20	2.5 max.	7.0 max. [within fn ±8kHz]	NE607 /NE617	PHILIPS	SMD
<b>CDBC455KCLY13-R0</b>	455	fn±13.0 min.	120 ±30	1.5 max.	5.0 max. [within fn ±8kHz]	CXA1003BM	SONY	SMD
<b>CDBC455KCLY21-R0</b>	455	fn±11.0 min.	75 ±25	2.5 max.	5.0 max. [within fn ±5.5kHz]	TA31132	TOSHIBA	SMD
<b>CDBLA455KCAY07-B0</b>	455	fn±4.0 min.	340 ±60	2.5 max.	-	MC3357	MOTOROLA	PLASTIC
<b>CDBLA455KCAY09-B0</b>	455	fn±5.0 min.	100 min.	1.5 max.	-	NE604N	PHILIPS	PLASTIC
<b>CDBLA455KCAY13A-B0</b>	455	fn±4.0 min.	350 ±50	3.0 max.	-	CXA1003BM	SONY	PLASTIC
<b>CDBLA455KCAY16-B0</b>	455	fn±4.0 min.	185 ±40	2.0 max.	-	MC3372	MOTOROLA	PLASTIC
<b>CDBLA455KCAY24-B0</b>	455	fn±4.0 min.	100 ±40	2.0 max.	-	TA31136	TOSHIBA	PLASTIC
<b>CDBLA455KCAY28-B0</b>	455	fn±4.0 min.	40 ±20	3.0 max.	-	TA31142	TOSHIBA	PLASTIC
<b>CDBLA455KCAY34-B0</b>	455	fn±4.0 min.	65 ±20	2.5 max.	-	MC13136	MOTOROLA	PLASTIC
<b>CDBLA455KCLY09-B0</b>	455	fn±15.0 min.	70 ±20	1.5 max.	3.5 max. [within fn ±8kHz]	NE604N	PHILIPS	PLASTIC
<b>CDBLA455KCLY13-B0</b>	455	fn±15.0 min.	110 ±30	1.5 max.	5.0 max. [within fn ±8kHz]	CXA1003BM	SONY	PLASTIC

Continued on the following page.

Continued from the preceding page.

Part Number	Nominal Center Frequency (fn) (kHz)	Recovered Audio 3dB BW (kHz)	Recovered Audio Output (mV)	Distortion (at fn) (%)	Distortion (%)	IC	IC Maker	Type
<b>CDBLB455KCAY07-B0</b>	455	fn±4.0 min.	340 ±60	3.0 max.	-	MC3357	MOTOROLA	PLASTIC
<b>CDBLB455KCAY13A-B0</b>	455	fn±4.0 min.	350 ±50	3.0 max.	-	CXA1003BM	SONY	PLASTIC
<b>CDBLB455KCAY21-B0</b>	455	fn±4.0 min.	55 ±20	2.0 max.	-	TA31132	TOSHIBA	PLASTIC
<b>CDBLB455KCAY24-B0</b>	455	fn±4.0 min.	100 ±40	2.0 max.	-	TA31136	TOSHIBA	PLASTIC
<b>CDBLB455KCAY28-B0</b>	455	fn±4.0 min.	40 ±20	3.0 max.	-	TA31142FN	TOSHIBA	PLASTIC
<b>CDBLB455KCAY32-B0</b>	455	fn±4.0 min.	40 ±20	3.0 max.	-	TA31143	TOSHIBA	PLASTIC
<b>CDBLB455KCAY34-B0</b>	455	fn±4.0 min.	65 ±20	2.5 max.	-	MC13136	MOTOROLA	PLASTIC
<b>CDBLB455KCAY40-B0</b>	455	fn±4.0 min.	40 ±20	3.0 max.	-	TA31145	TOSHIBA	PLASTIC
<b>CDBLB455KCAY42-B0</b>	455	fn±4.0 min.	40 ±15	3.0 max.	-	TK14590 /TK14591	TOKO	PLASTIC
<b>CDBLB455KCAY49-B0</b>	455	fn±4.0 min.	45 ±10	3.0 max.	-	MC3361	MOTOROLA	PLASTIC
<b>CDBLB455KCAY50-B0</b>	455	fn±4.0 min.	64 ±6.4	4.0 max.	-	CXA3117N	SONY	PLASTIC
<b>CDBLB455KCLY09-B0</b>	455	fn±15.0 min.	70 ±20	1.5 max.	3.5 max. [within fn ±8kHz]	NE604N	PHILIPS	PLASTIC
<b>CDBLB455KCLY13-B0</b>	455	fn±15.0 min.	110 ±30	1.5 max.	5.0 max. [within fn ±8kHz]	CXA1003BM	SONY	PLASTIC
<b>CDBLB455KCLY21-B0</b>	455	fn±13.0 min.	65 ±20	2.5 max.	5.0 max. [within fn ±8kHz]	TA31132	TOSHIBA	PLASTIC
<b>CDBLB455KCAX16-B0</b>	455	fn±4.0 min.	185 ±40	2.0 max.	-	MC3372	MOTOROLA	PLASTIC
<b>CDBLB455KCAX18-B0</b>	455	fn±3.0 min.	180 ±40	2.0 max.	-	MC3371	MOTOROLA	PLASTIC
<b>CDBLB455KCAX36-B0</b>	455	fn±3.5 min.	100 ±25	3.5 max.	-	NE606 /616	PHILIPS	PLASTIC

■ Test Circuit

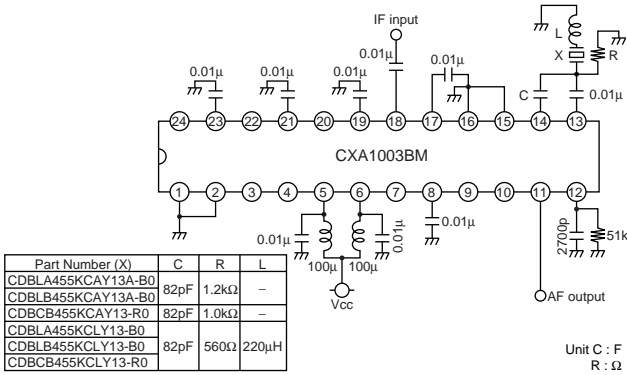


Continued on the following page. ↗

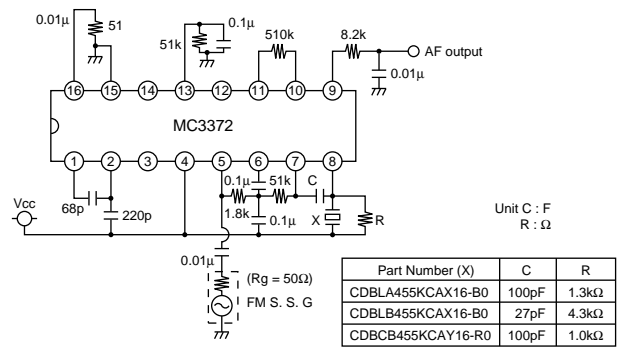
Continued from the preceding page.

Test Circuit

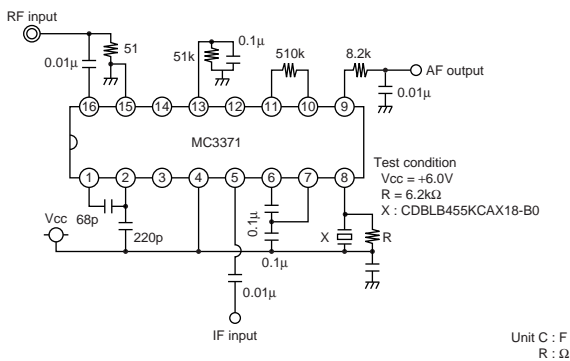
CXA1003BM



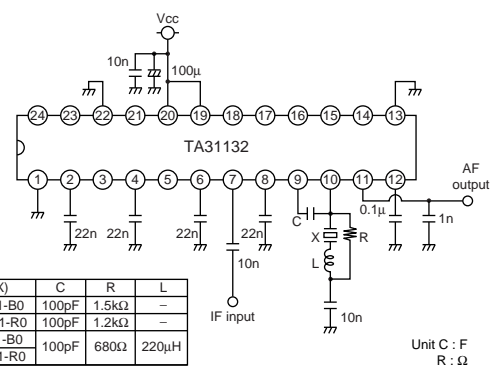
MC3372



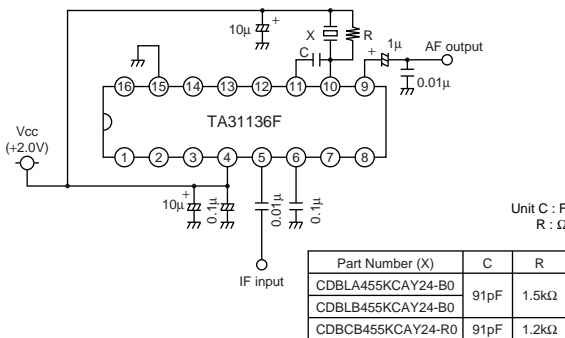
MC3371



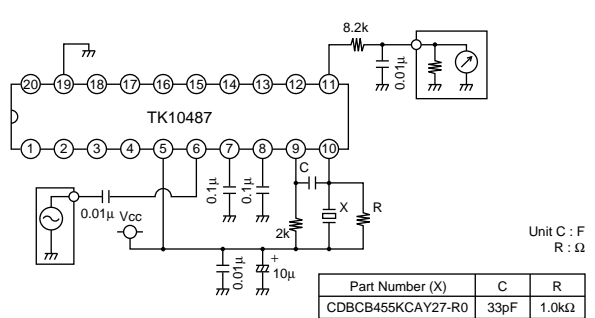
TA31132



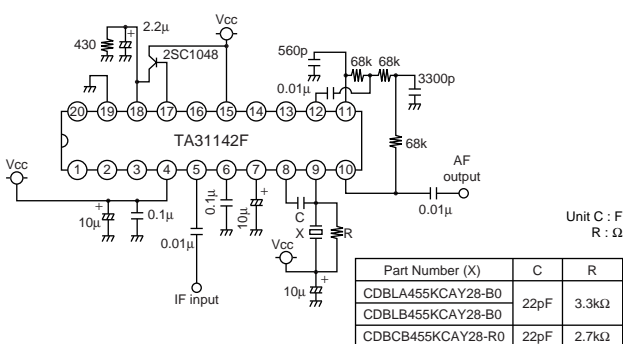
TA31136



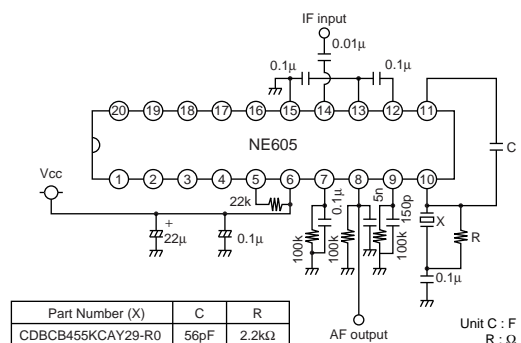
TK10487



TA31142



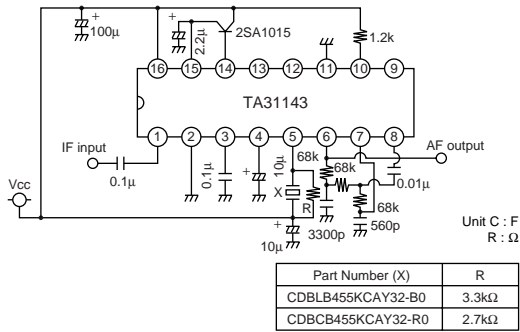
NE605



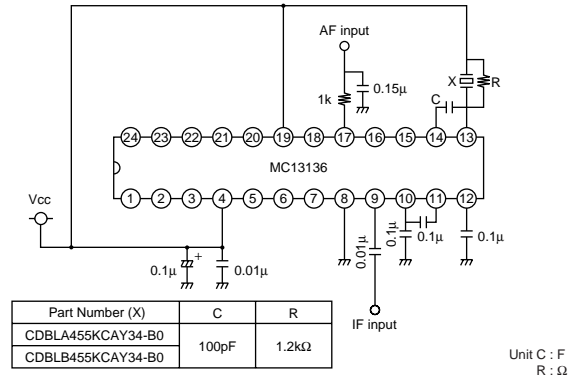
Continued from the preceding page.

Test Circuit

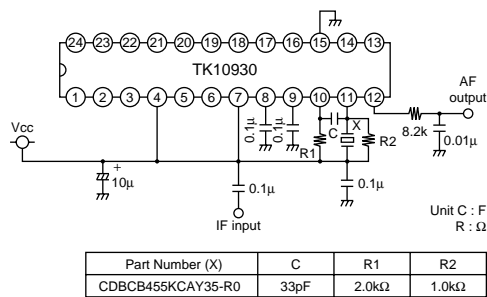
TA31143



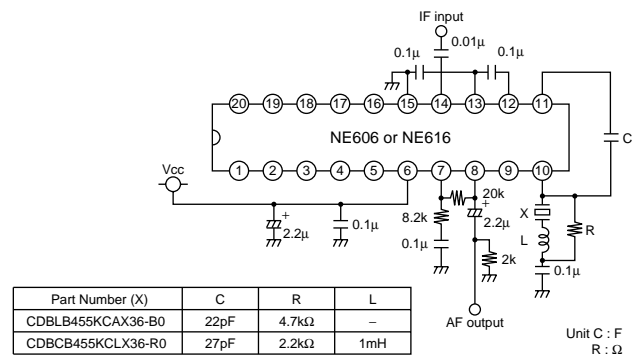
MC13136



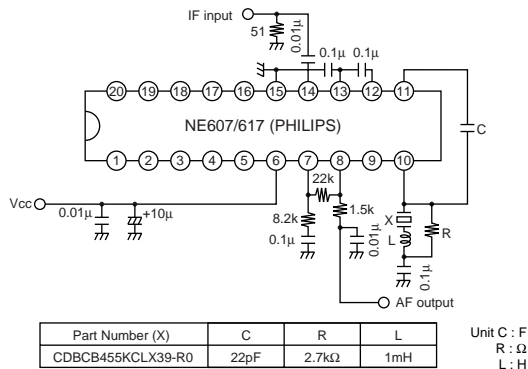
TK10930



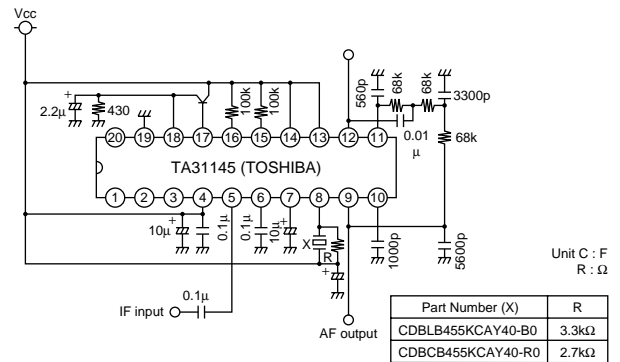
NE(SA)606/616



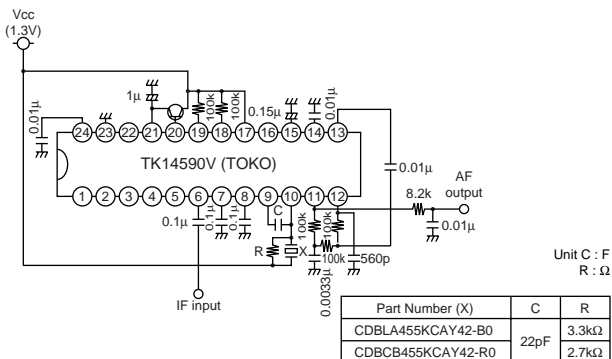
NE(SA)607/617



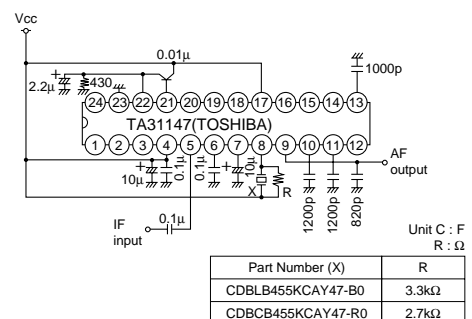
TA31145



TK14590/14591



TA31147



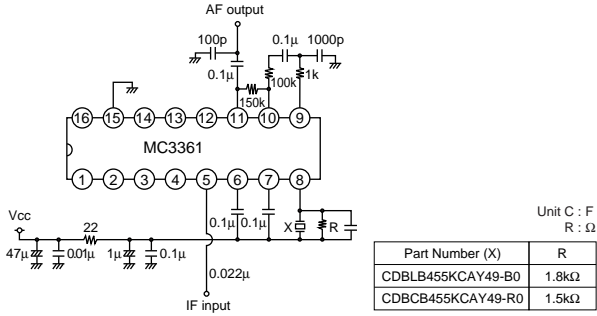
Continued on the following page.



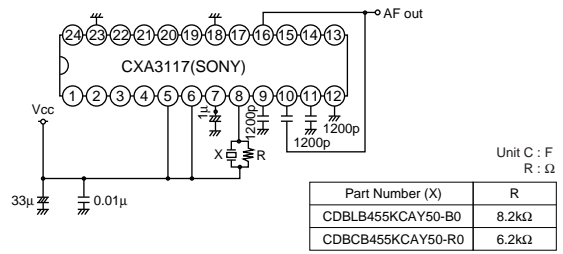
Continued from the preceding page.

■ Test Circuit

MC3361

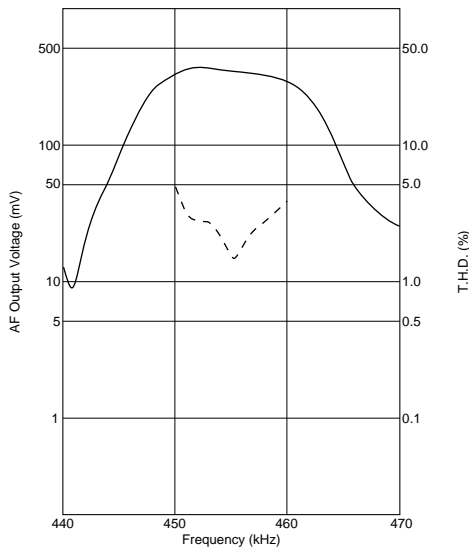


CXA3117

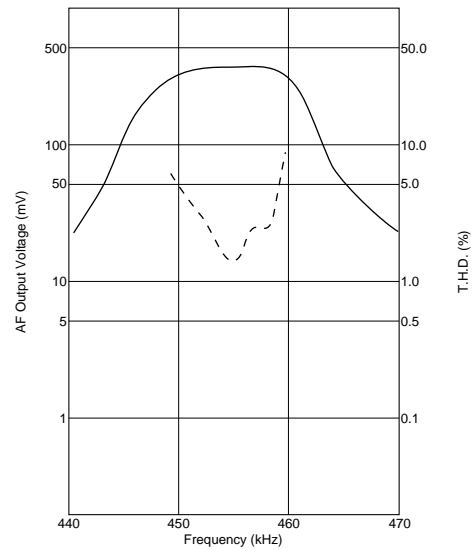


■ Recovered Audio Curve Specification

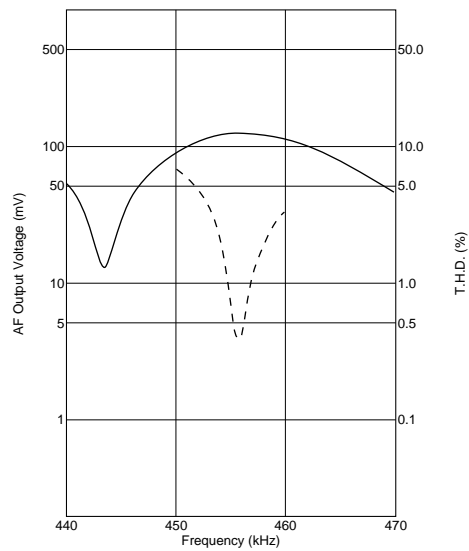
CDBC455KCAY07-R0



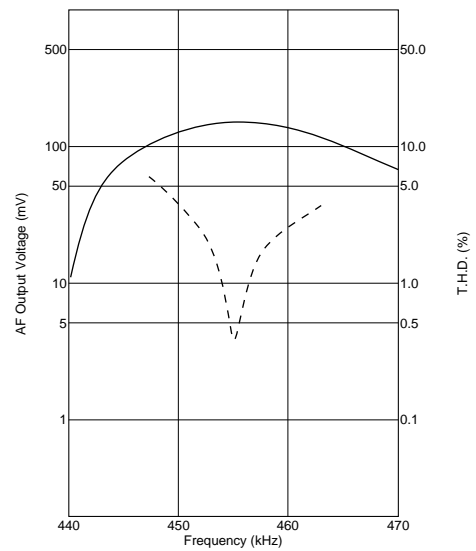
CDBLA/CDBLB455KCAY07-B0



CDBC455KCAY09-R0



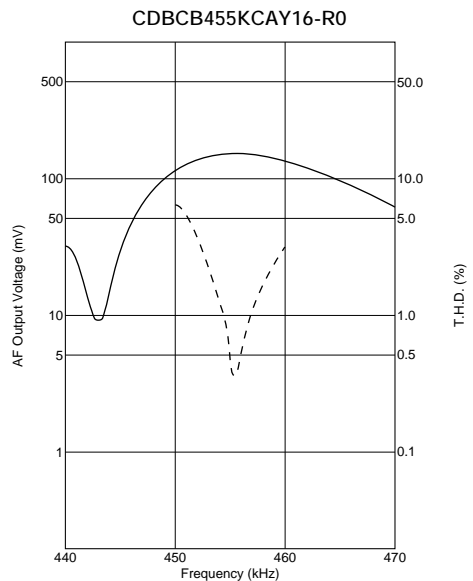
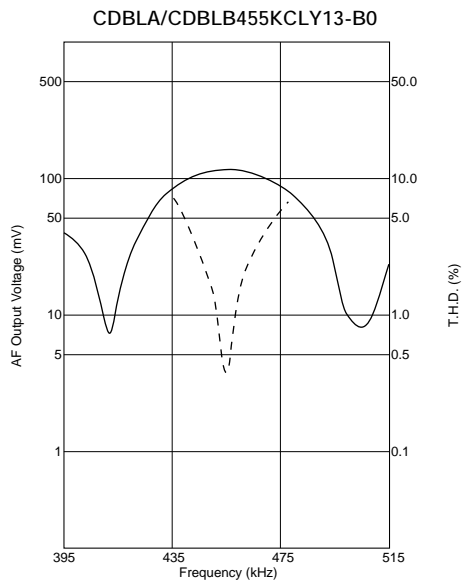
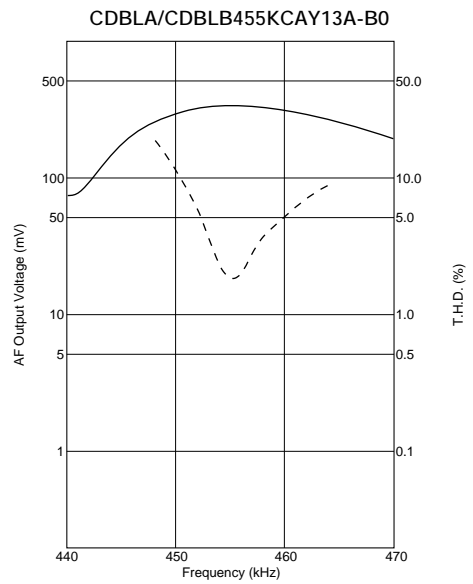
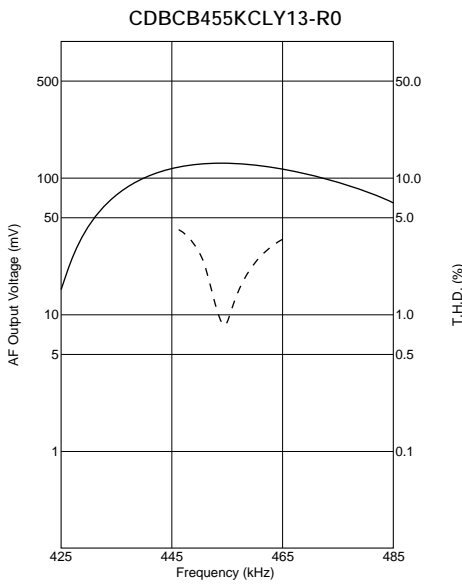
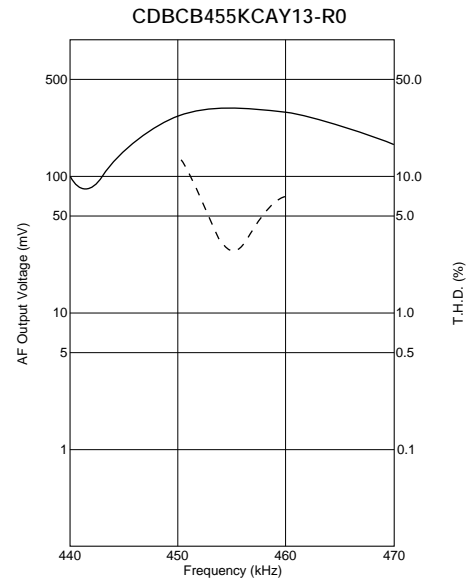
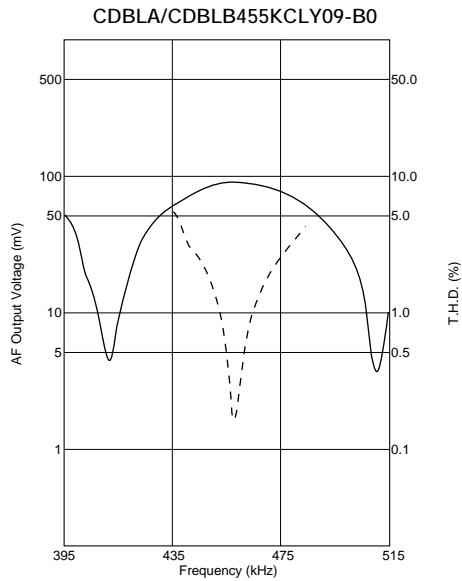
CDBLA455KCAY09-B0



Continued on the following page. ↗

↳ Continued from the preceding page.

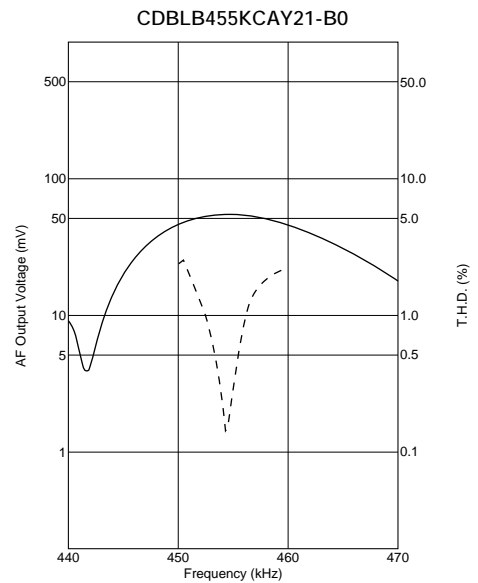
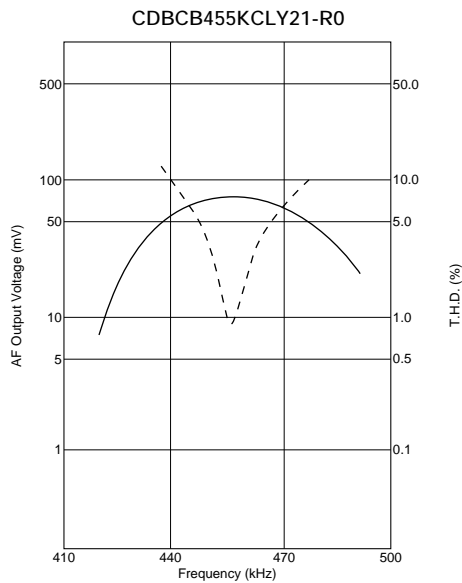
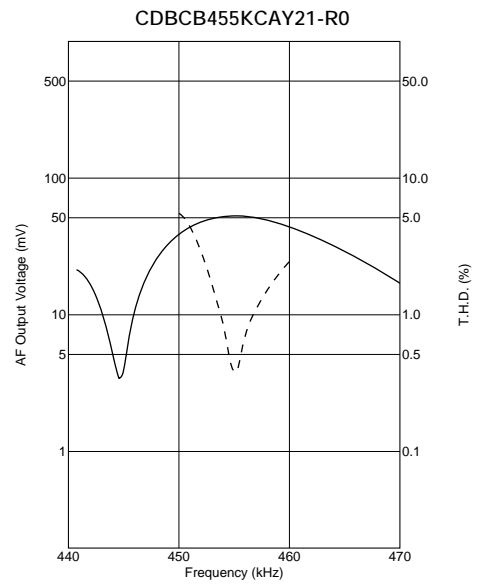
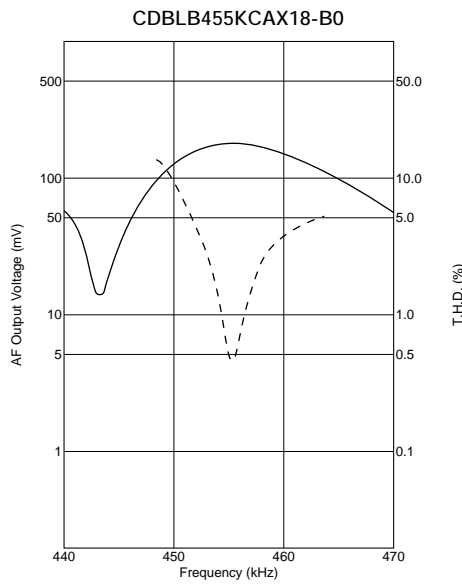
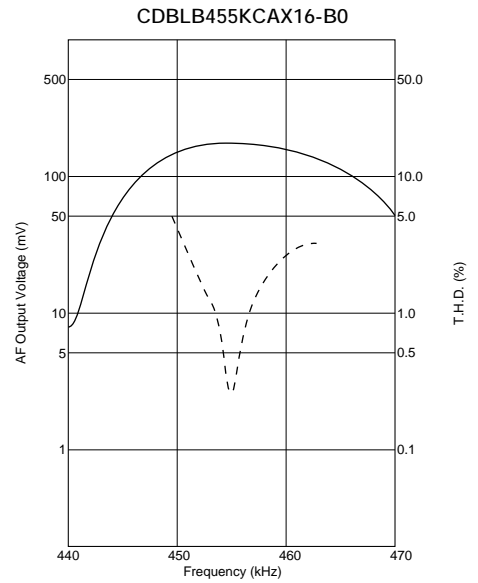
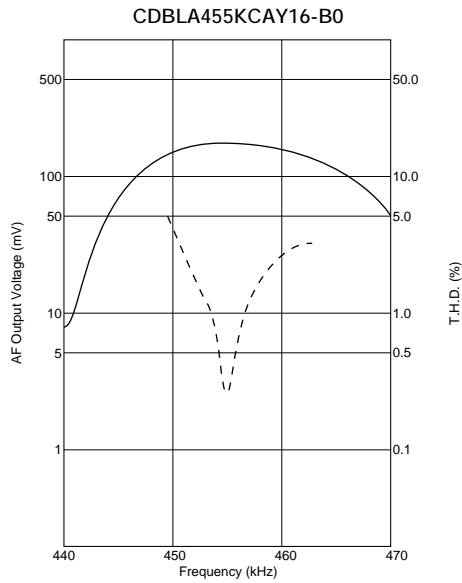
■ Recovered Audio Curve Specification



Continued on the following page. ↗

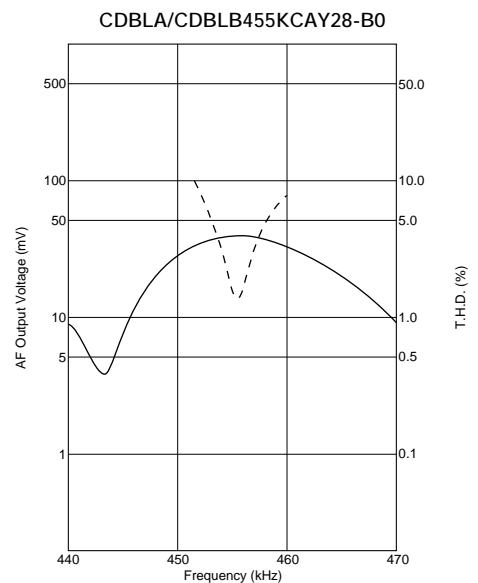
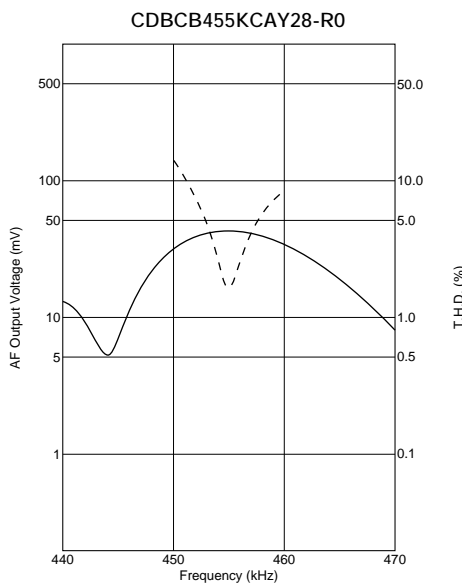
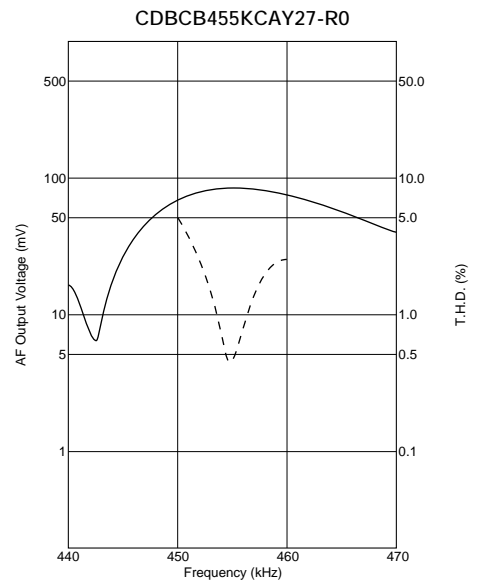
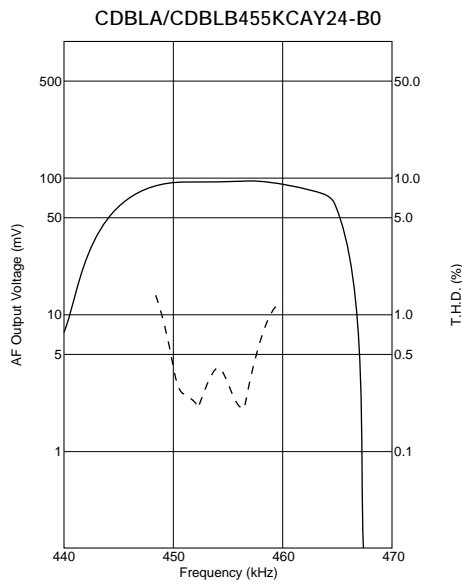
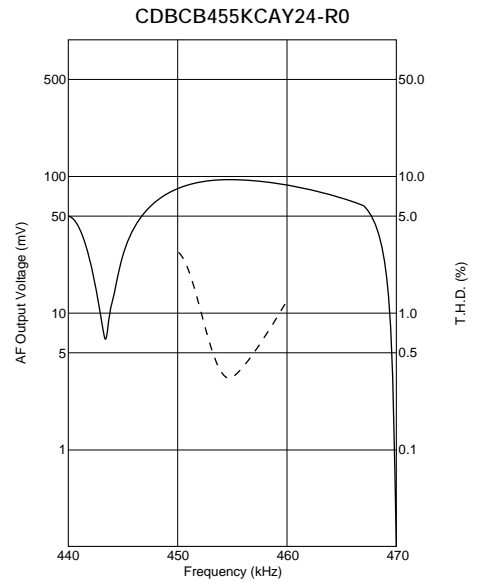
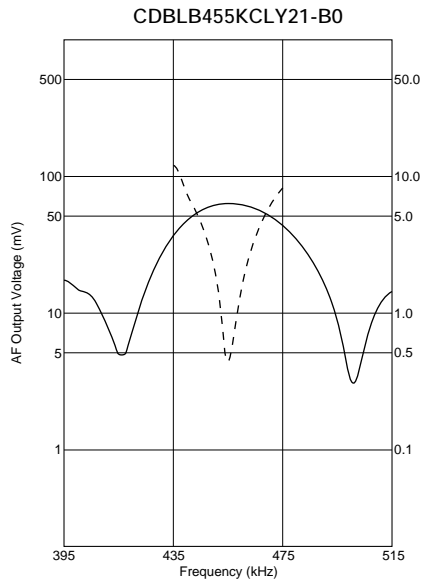
☞ Continued from the preceding page.

■ Recovered Audio Curve Specification



Continued from the preceding page.

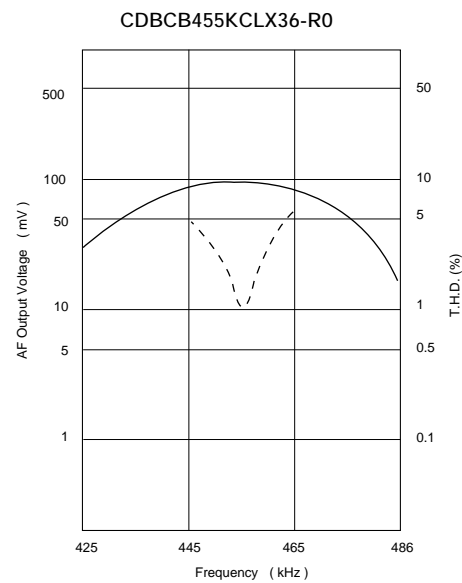
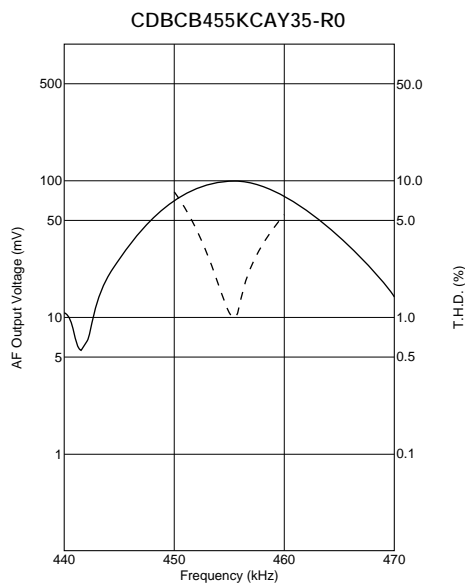
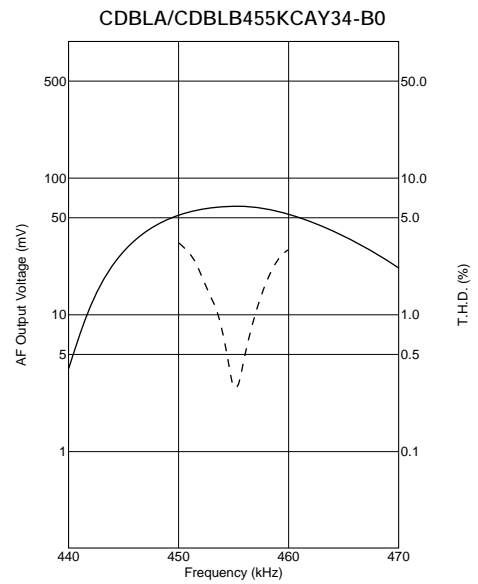
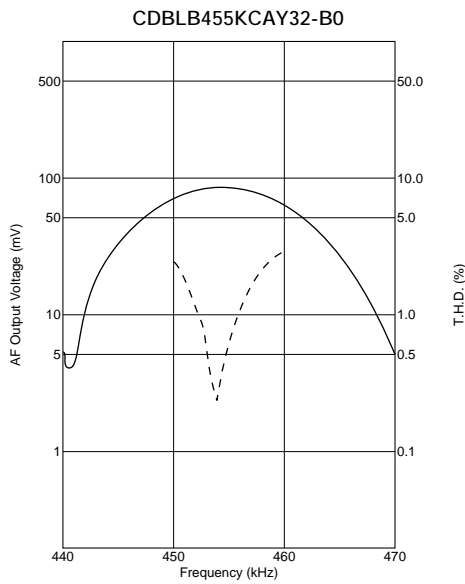
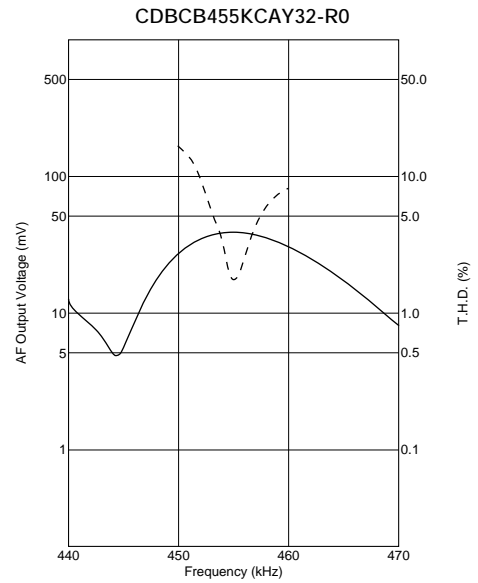
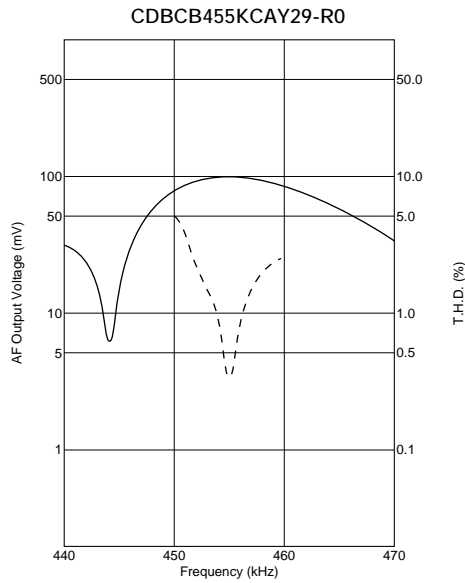
### Recovered Audio Curve Specification



Continued on the following page. ↗

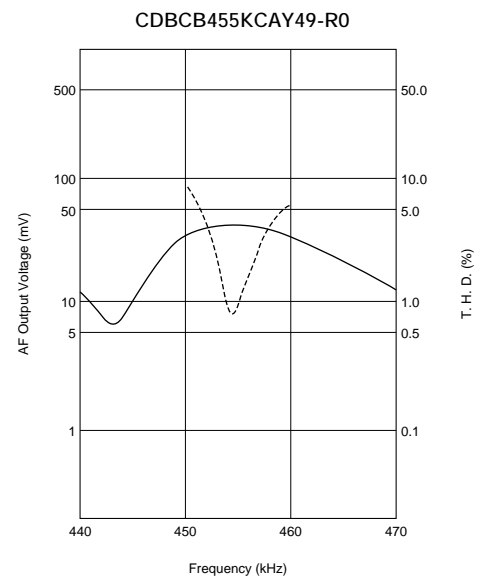
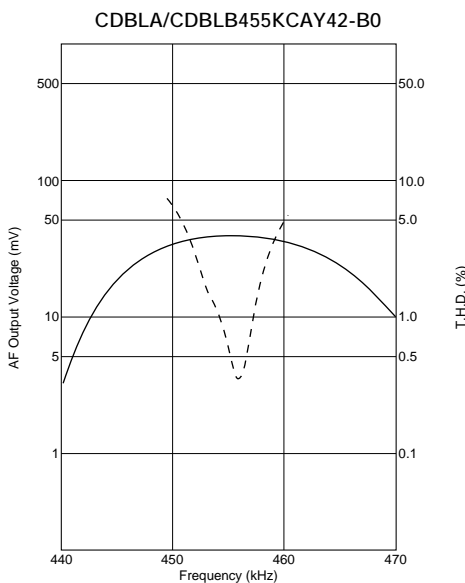
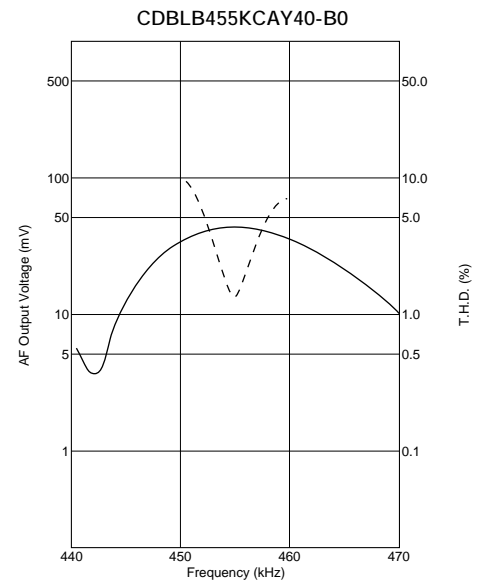
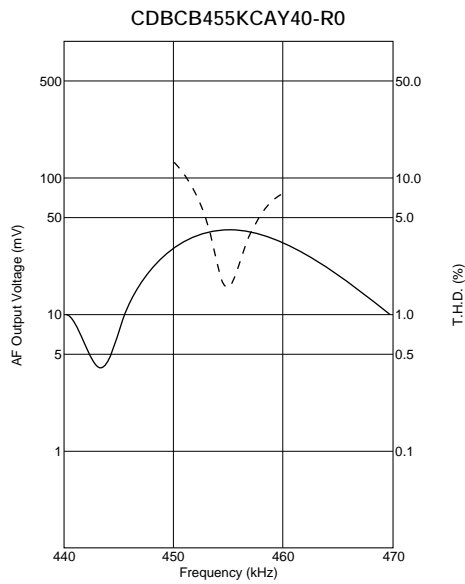
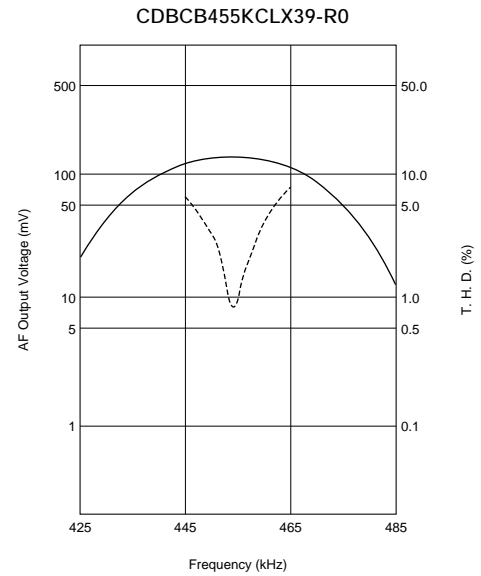
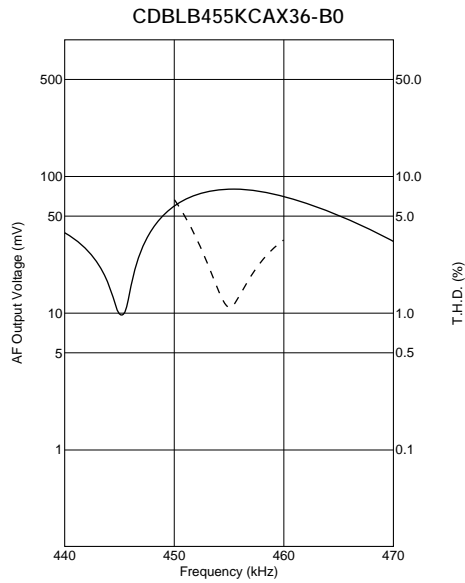
☐ Continued from the preceding page.

■ Recovered Audio Curve Specification



☞ Continued from the preceding page.

■ Recovered Audio Curve Specification

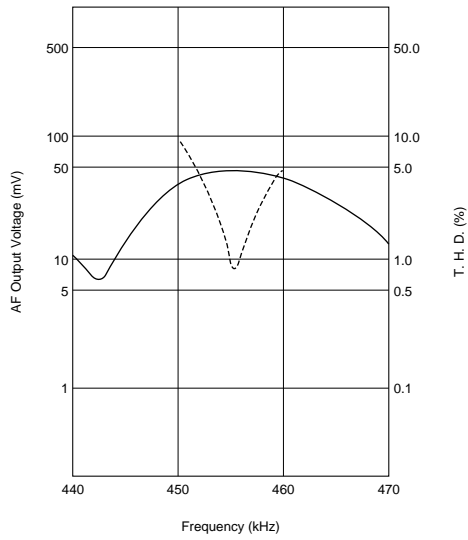


Continued on the following page. ☞

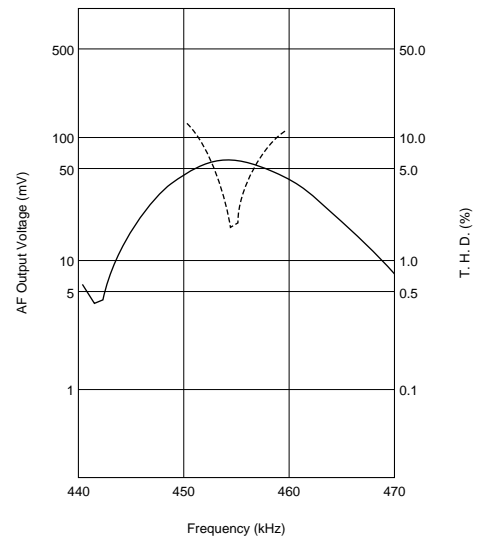
☐ Continued from the preceding page.

■ Recovered Audio Curve Specification

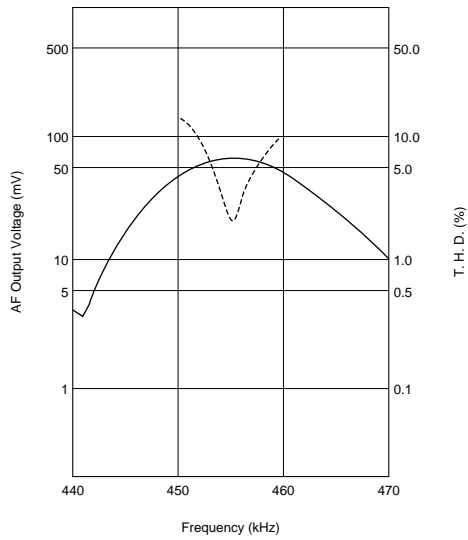
CDBLB455KCAY49-B0



CDBC455KCAY50-R0



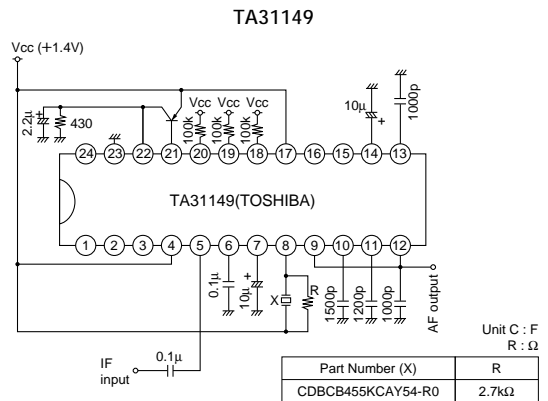
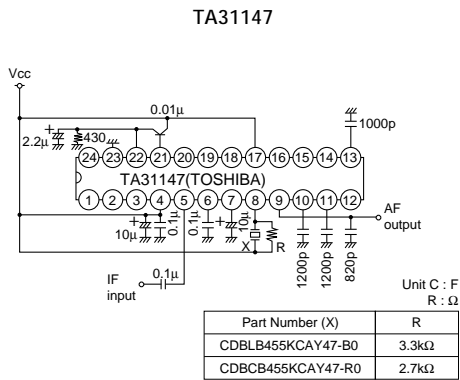
CDBLB455KCAY50-B0



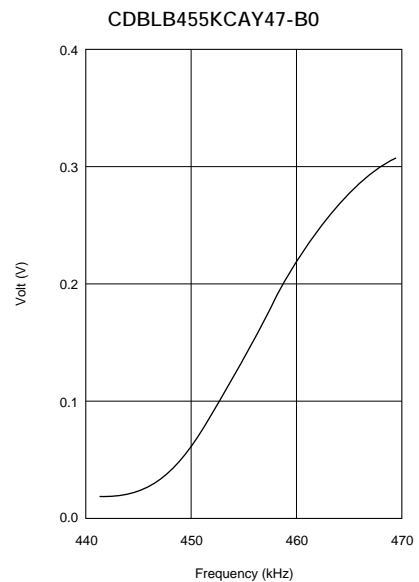
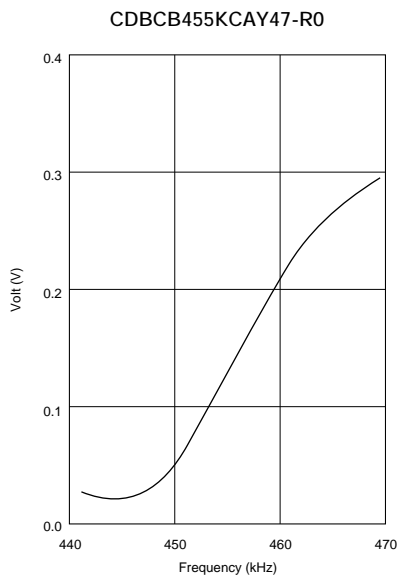
## Specified by S Curve Characteristics

Part Number	Nominal Center Frequency (fn) (kHz)	S Curve (1) Output Volt. at fn (mV)	S Curve (2) at $fn \pm 4.8\text{kHz}$ (mV)	IC	IC Maker	Type
<b>CDBC455KCAY47-R0</b>	455	130 ±20	150 ±15	TA31147	TOSHIBA	SMD
<b>CDBC455KCAY54-R0</b>	455	165 ±20	170 ±20	TA31149	TOSHIBA	SMD
<b>CDBLB455KCAY47-B0</b>	455	140 ±20	150 ±15	TA31147	TOSHIBA	PLASTIC

### ■ Test Circuit



### ■ S Curve Specification

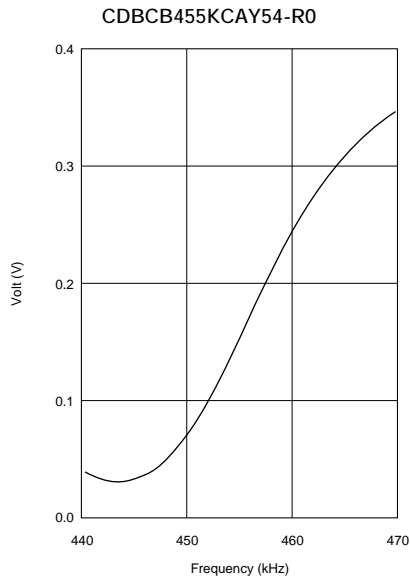


Continued on the following page.



☐ Continued from the preceding page.

### ■ S Curve Specification



## Ceramic Discriminators Notice

### ■ CDBC Series Notice (Soldering and Mounting)

#### 1. Standard Reflow Soldering Condition

##### (1) Reflow

Filter is soldered one time within the following temperature condition and then being placed in natural condition for 24 hours.

##### (2) Soldering Iron

Electrode is directly with the tip of soldering iron of  $+350 \pm 5^\circ\text{C}$  for  $3 \pm 1$  seconds, and then being placed in natural condition for 24 hours.

#### 2. Wash

##### (1) Cleaning Solvent

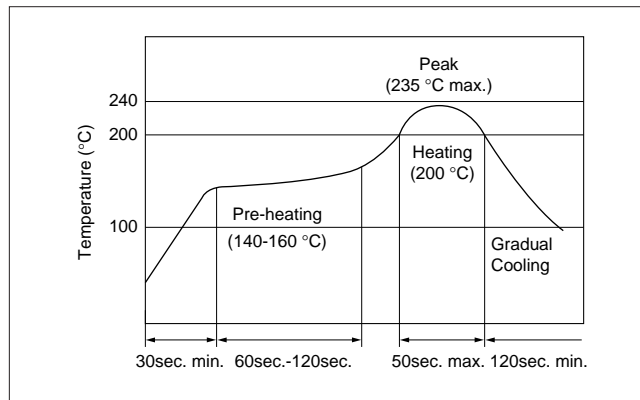
CFC alternatives(HCFC Series), Isopropyl Alcohol(IPA), Water(Demineralized Water), Cleaning Water Solution(Cleanthrough-750H, Pine Alpha 100S), Silicon(Technocare FRW)


##### (2) Cleaning Conditions

- Immersion Wash  
2 minutes max. in above solvent at  $+60^\circ\text{C}$  max.
- Shower or Rinse Wash  
2 minutes max. in above solvent at  $+60^\circ\text{C}$  max.

##### (3) Notice

- When components are immersed in solvent, be sure to maintain the temperature of components below the temperature of solvent.
- Please do not use ultrasonic cleaning.
- Total washing time should be within 4 minutes.
- Please ensure the component is thoroughly evaluated in your application circuit.
- Please do not use chlorine, petroleum and alkali cleaning solvent.
- If you plan to use any other type of solvents, please consult with Murata or MURata representative prior to using.



Continued on the following page. 

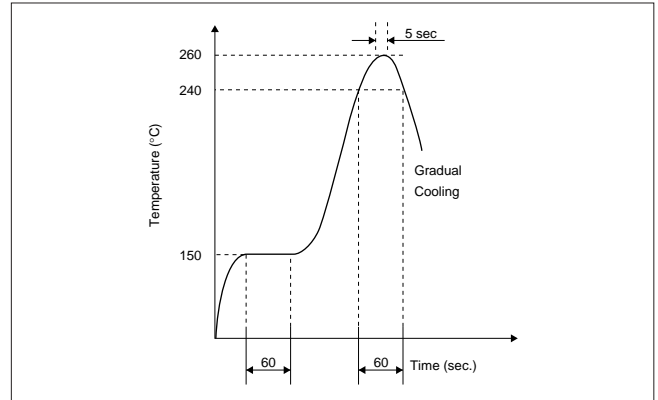
## Ceramic Discriminators Notice

☐ Continued from the preceding page.

### ■ CDSCA Series Notice (Soldering and Mounting)

#### 1. Standard Reflow Soldering Condition

##### (1) Reflow



##### (2) Soldering Iron

Lead terminal is directly contacted with the tip of soldering iron of  $+280 \pm 5^\circ\text{C}$  for  $3.0 \text{ seconds} \pm 0.5 \text{ seconds}$ .

#### 2. Wash

The component cannot be withstand washing.

## Ceramic Discriminators Notice

### ■ CDBCB Series Notice (Handling)

1. The component will be damaged when an excessive stress is applied.
2. In the case that the component is cleaned, confirm no reliability degradation is created.
3. In case of covering filter with over coat, conditions such as material of resin, cure temperature, and so on should be evaluated well.
4. Do not use strong acidity flux, more than 0.2wt% chlorine content, in re-flow soldering.

### ■ CDBLA/CDBLB Series Notice (Handling)

1. Do not use this product with bend. The component may be damaged if excess mechanical stress is applied to it mounted on the printed circuit board.
2. The component will be damaged when an excessive stress is applied.
3. All kinds of re-flow soldering must not be applied on the component.

### ■ CDSCA Series Notice (Handling)

1. The component mounted on the PCB may be damaged if excess mechanical stress is applied.
2. Layout the components on the PCB to minimize the stress imposed by the warp or flexure of the board.
3. After installing components, if solder is excessively applied to the circuit board, mechanical stress will cause destruction resistance characteristics to be lower. To prevent this, be extremely careful in determining shape and dimension before designing the circuit board diagram.
4. When the positioning claw or pick up nozzle are worn, the excess load is applied to the components while positioning or placing are performed. Careful checking and maintenance are necessary to prevent unexpected trouble.
5. When correcting component's position with a soldering iron, the tip of the soldering iron should not directly touch the chip component. Depending on the soldering conditions, the effective area of terminations may be reduced. The use of solder containing Ag should be considered to prevent the electrode erosion.
6. Do not clean or wash the component as it is not hermetically sealed.
7. In case of overcoating the part, coating conditions such as material, curing temperature, and so on must be evaluated deeply.
8. Accurate test circuit values are required to measure electrical characteristics.  
It may be a cause of mis-correlation if there is any deviation, especially stray capacitance, from the test circuit in the specification.

5. The product, packed in the moisture-proof bag (dry pack), is sensitive to moisture.

The following treatment is required before applying re-flow soldering, to avoid package cracks or reliability degradation caused by thermal stress.

When unpacked, store the component in an atmosphere of below 25C. and below 65%R.H., and solder within 48 hours.

4. Do not clean or wash the component as it is not hermetically sealed.
5. Do not use strong acidity flux, more than 0.2wt% chlorine content, in flow soldering.
6. In case of covering discriminator with over coat, conditions such as material of resin, cure temperature, and so on should be evaluated well.

