

2-WIRE CMOS SERIAL E²PROM**S-24CS01A/02A/04A/08A**

The S-24CS01A/02A/04A/08A is a 2-wired, low power and wide range operation 1k bit, 2k bit, 4k bit and 8k bit E²PROM organized as 128 words × 8 bits, 256 words × 8 bits, 512 words × 8 bits and 1024 words × 8 bits in each.

Page write and sequential read are available.

■ Features

- Low power consumption Standby : 2.0 μA Max. (V_{CC}=5.5 V)
 Read : 0.8 mA Max. (V_{CC}=5.5 V)
- Operating voltage range Read : 1.8 to 5.5 V (at -40 to +85°C)
 Write : 2.7 to 5.5 V (at -40 to +85°C)
- Page write : 8 bytes / page (S-24CS01A/02A)
 16 bytes / page (S-24CS04A/08A)
- Sequential read
- Operating Frequency : 400 kHz (V_{CC}=5 V±10 %, at -40 to +85°C)
- Write disable function when power supply voltage is low
- Endurance: 10⁷ cycles/word (at +25°C) write capable,
 10⁶ cycles/word (at +85°C),
 3 × 10⁵ cycles/word (at +105°C)
- Data retention: 10 years (after rewriting 10⁶ cycles/word at +85°C)
- S-24CS01A : 1k bit
- S-24CS02A : 2k bit
- S-24CS04A : 4k bit
- S-24CS08A : 8k bit
- High-temperature operation : +105°C Max. supported
 (Only S-24CS0xAFJ-TBH)
- Write protection : 100 %

■ Packages

Package name	Drawing code		
	Package	Tape	Reel
8-Pin DIP	DP008-F	—	—
8-Pin SOP(JEDEC)	FJ008-A	FJ008-D	FJ008-D
8-Pin TSSOP	FT008-A	FT008-D	FT008-D

Caution This product is intended to use in general electronic devices such as consumer electronics, office equipment, and communications devices. Before using the product in medical equipment or automobile equipment including car audio, keyless entry and engine control unit, contact to SII is indispensable.

2-WIRE CMOS SERIAL E²PROM S-24CS01A/02A/04A/08A

Rev.2.0_10

■ Pin Assignments

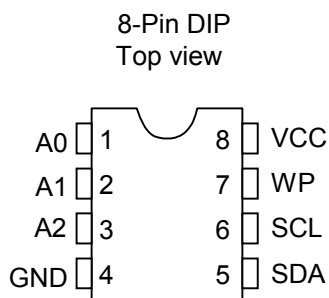


Figure 1

S-24CS01ADP
S-24CS02ADP
S-24CS04ADP
S-24CS08ADP

Table 1

Pin Number	Pin Name	Function
1	A0	Address input (S-24CS04A/08A is no connect. ^{*1})
2	A1	Address input (S-24CS08A is no connect. ^{*1})
3	A2	Address input
4	GND	Ground
5	SDA	Serial data input / output
6	SCL	Serial clock input
7	WP	Write protection input Connected to V _{CC} : Protection valid Connected to GND: Protection invalid
8	VCC	Power supply

^{*1}. Connect to GND or V_{CC}.

Remark See Dimensions for details of the package drawings.

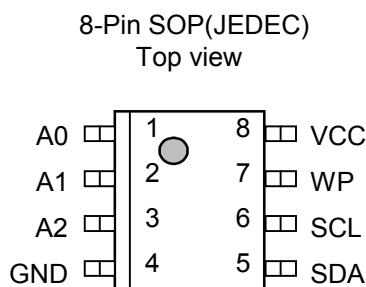


Figure 2

S-24CS01AFJ
S-24CS02AFJ
S-24CS04AFJ
S-24CS08AFJ

Table 2

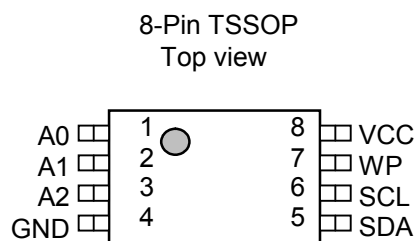
Pin Number	Pin Name	Function
1	A0	Address input (S-24CS04A/08A is no connect. ^{*1})
2	A1	Address input (S-24CS08A is no connect. ^{*1})
3	A2	Address input
4	GND	Ground
5	SDA	Serial data input / output
6	SCL	Serial clock input
7	WP	Write protection input Connected to V _{CC} : Protection valid Connected to GND: Protection invalid
8	VCC	Power supply

^{*1}. Connect to GND or V_{CC}.

Remark See Dimensions for details of the package drawings.

2-WIRE CMOS SERIAL E²PROM S-24CS01A/02A/04A/08A

Rev.2.0_10

**Figure 3**

S-24CS01AFT
S-24CS02AFT
S-24CS04AFT
S-24CS08AFT

Table 3

Pin Number	Pin Name	Function
1	A0	Address input (S-24CS04A/08A is no connect. ^{*1})
2	A1	Address input (S-24CS08A is no connect. ^{*1})
3	A2	Address input
4	GND	Ground
5	SDA	Serial data input / output
6	SCL	Serial clock input
7	WP	Write protection input Connected to V _{CC} : Protection valid Connected to GND: Protection invalid
8	VCC	Power supply

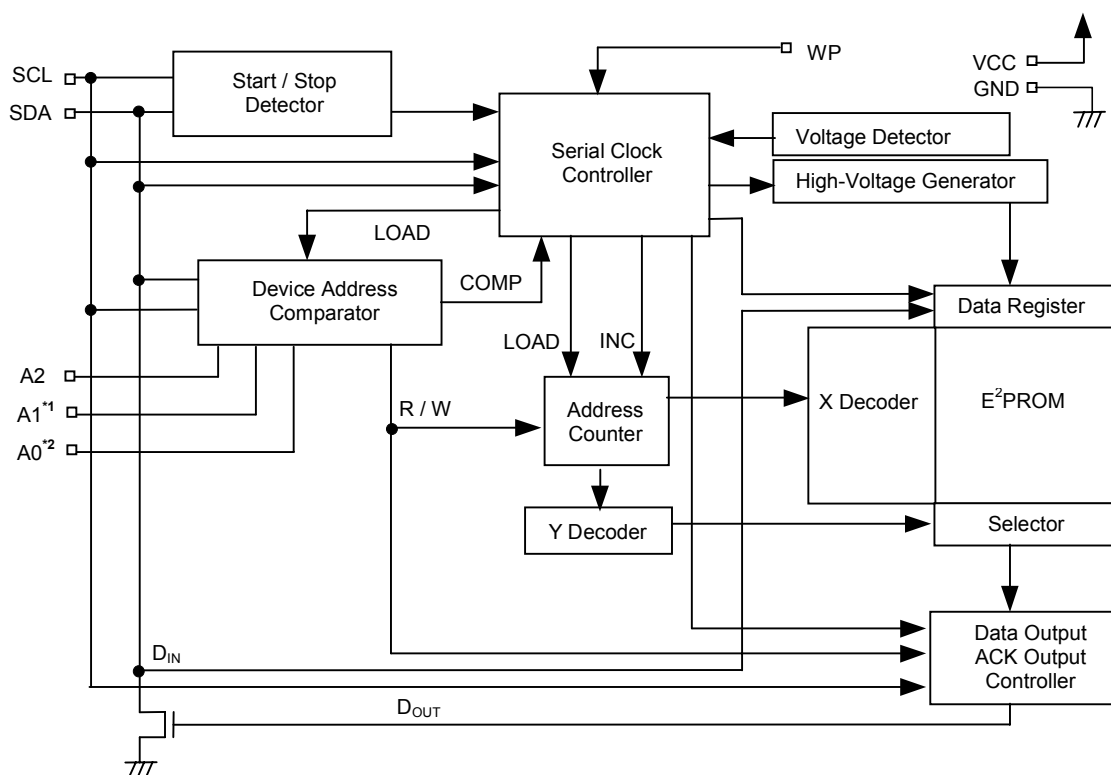
^{*1}. Connect to GND or V_{CC}.

Remark See Dimensions for details of the package drawings.

2-WIRE CMOS SERIAL E²PROM S-24CS01A/02A/04A/08A

Rev.2.0_10

■ Block diagram



*1. S-24CS08A is not available.

*2. S-24CS04A/08A are not available.

Figure 4

■ Absolute Maximum Ratings

Table 4

Parameter	Symbol	Ratings	Unit
Power supply voltage	V _{CC}	-0.3 to +7.0	V
Input voltage	V _{IN}	-0.3 to V _{CC} +0.3	V
Output voltage	V _{OUT}	-0.3 to V _{CC}	V
Storage temperature	T _{stg}	-65 to +150	°C

Caution The absolute maximum ratings are rated values exceeding which the product could suffer physical damage. These values must therefore not be exceeded under any conditions.

Rev.2.0_10

■ Recommended Operating Conditions

Table 5

Parameter	Symbol	Conditions	-40 to +85°C			-40 to +105°C			Unit
			Min.	Typ.	Max.	Min.	Typ.	Max.	
Power supply voltage	V _{CC}	Read Operation	1.8	—	5.5	4.5	—	5.5	V
		Write Operation	2.7	—	5.5				
High level input voltage	V _{IH}	V _{CC} =4.5 to 5.5 V	0.7×V _{CC}	—	V _{CC}	0.7×V _{CC}	—	V _{CC}	V
		V _{CC} =2.7 to 4.5 V	0.7×V _{CC}	—	V _{CC}	—	—	—	V
		V _{CC} =1.8 to 2.7 V	0.8×V _{CC}	—	V _{CC}	—	—	—	V
Low level input voltage	V _{IL}	V _{CC} =4.5 to 5.5 V	0.0	—	0.3×V _{CC}	0.0	—	0.3×V _{CC}	V
		V _{CC} =2.7 to 4.5 V	0.0	—	0.3×V _{CC}	—	—	—	V
		V _{CC} =1.8 to 2.7 V	0.0	—	0.2×V _{CC}	—	—	—	V
Operating temperature	T _{opr}	—	-40	—	+85	-40	—	+105	°C

■ Pin Capacitance

Table 6

(T_a=25°C, f=1.0 MHz, V_{CC}=5 V)

Parameter	Symbol	Conditions	Min.	Typ.	Max.	Unit
Input capacitance	C _{IN}	V _{IN} =0 V (S-24CS01A/02A: SCL, A0, A1, A2, WP)	—	—	10	pF
		V _{IN} =0 V (S-24CS04A: SCL, A1, A2, WP)				
		V _{IN} =0 V (S-24CS08A: SCL, A2, WP)				
Input/output capacitance	C _{I/O}	V _{I/O} =0 V (SDA)	—	—	10	pF

■ Endurance

Table 7

Parameter	Symbol	Operation temperature	Min.	Typ.	Max.	Unit
Endurance	N _W	-40 to +85°C	10 ⁶	—	—	cycles / word
		-40 to +105°C	3×10 ⁵	—	—	cycles / word

2-WIRE CMOS SERIAL E²PROM
S-24CS01A/02A/04A/08A

Rev.2.0_10

■ DC Electrical Characteristics

Table 8

Parameter	Symbol	Conditions	-40 to +85°C									-40 to +105°C			Unit
			V _{CC} =4.5 to 5.5 V f = 400 kHz			V _{CC} =2.7 to 4.5 V f = 100 kHz			V _{CC} =1.8 to 2.7 V f = 100 kHz			V _{CC} =4.5 to 5.5 V f = 350 kHz			
			Min.	Typ.	Max.	Min.	Typ.	Max.	Min.	Typ.	Max.	Min.	Typ.	Max.	
Current consumption (READ)	I _{CC1}	—	—	—	0.8	—	—	0.3	—	—	0.2	—	—	0.8	mA
Current consumption (WRITE)	I _{CC2}	—	—	—	4.0	—	—	1.5	—	—	—	—	—	4.0	mA

Table 9

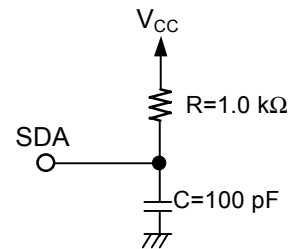
Parameter	Symbol	Conditions	-40 to +85°C									-40 to +105°C			Unit
			V _{CC} =4.5 to 5.5 V			V _{CC} =2.7 to 4.5 V			V _{CC} =1.8 to 2.7 V			V _{CC} =4.5 to 5.5 V			
			Min.	Typ.	Max.	Min.	Typ.	Max.	Min.	Typ.	Max.	Min.	Typ.	Max.	
Standby current consumption	I _{SB}	V _{IN} =V _{CC} or GND	—	—	2.0	—	—	2.0	—	—	2.0	—	—	2.0	μA
Input leakage current	I _{LI}	V _{IN} =GND to V _{CC}	—	0.1	1.0	—	0.1	1.0	—	0.1	1.0	—	0.1	1.0	μA
Output leakage current	I _{LO}	V _{OUT} =GND to V _{CC}	—	0.1	1.0	—	0.1	1.0	—	0.1	1.0	—	0.1	1.0	μA
Low level output voltage	V _{OL}	I _{OL} =3.2 mA	—	—	0.4	—	—	0.4	—	—	—	—	—	0.4	V
		I _{OL} =1.5 mA	—	—	0.3	—	—	0.3	—	—	0.5	—	—	0.3	V
Current address hold voltage	V _{AH}	—	1.5	—	5.5	1.5	—	4.5	1.5	—	2.7	1.5	—	5.5	V

Rev.2.0_10

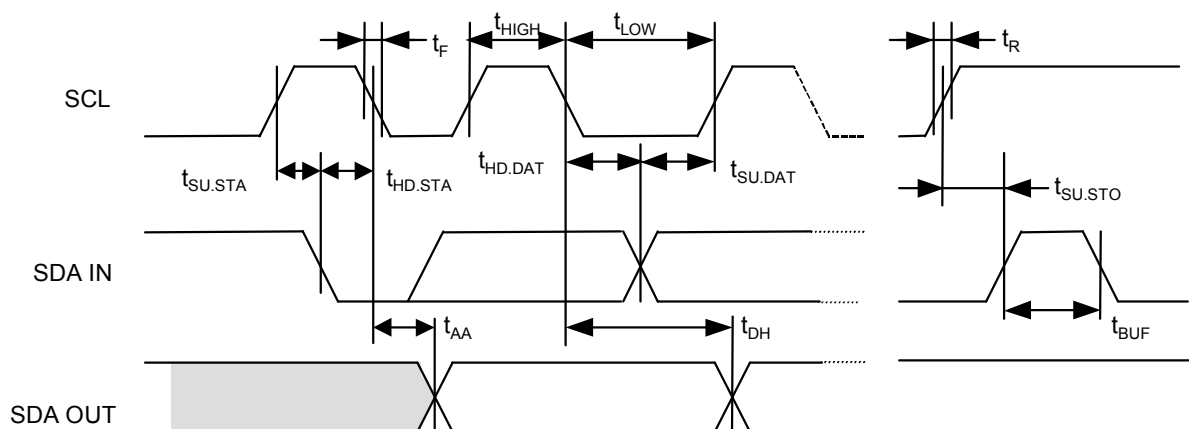
■ AC Electrical Characteristics

Table 10 Measurement Conditions

Input pulse voltage	$0.1 \times V_{CC}$ to $0.9 \times V_{CC}$
Input pulse rising / falling time	20 ns
Output judgment voltage	$0.5 \times V_{CC}$
Output load	100 pF+ Pullup resistance 1.0 k Ω


Figure 5 Output Load Circuit
Table 11

Parameter	Symbol	-40 to +85°C						-40 to +105°C			Unit
		$V_{CC}=4.5$ to 5.5 V			$V_{CC}=1.8$ to 4.5 V			$V_{CC}=4.5$ to 5.5 V			
		Min.	Typ.	Max.	Min.	Typ.	Max.	Min.	Typ.	Max.	
SCL clock frequency	f_{SCL}	0	—	400	0	—	100	0	—	350	kHz
SCL clock time "L"	t_{LOW}	1.0	—	—	4.7	—	—	1.1	—	—	μ s
SCL clock time "H"	t_{HIGH}	0.9	—	—	4.0	—	—	1.0	—	—	μ s
SDA output delay time	t_{AA}	0.1	—	0.9	0.1	—	3.5	0.1	—	1.0	μ s
SDA output hold time	t_{DH}	50	—	—	100	—	—	50	—	—	ns
Start condition setup time	$t_{SU,STA}$	0.6	—	—	4.7	—	—	0.6	—	—	μ s
Start condition hold time	$t_{HD,STA}$	0.6	—	—	4.0	—	—	0.6	—	—	μ s
Data input setup time	$t_{SU,DAT}$	100	—	—	200	—	—	100	—	—	ns
Data input hold time	$t_{HD,DAT}$	0	—	—	0	—	—	0	—	—	ns
Stop condition setup time	$t_{SU,STO}$	0.6	—	—	4.7	—	—	0.6	—	—	μ s
SCL • SDA rising time	t_R	—	—	0.3	—	—	1.0	—	—	0.3	μ s
SCL • SDA falling time	t_F	—	—	0.3	—	—	0.3	—	—	0.3	μ s
Bus release time	t_{BUF}	1.3	—	—	4.7	—	—	1.3	—	—	μ s
Noise suppression time	t_I	—	—	50	—	—	100	—	—	50	ns


Figure 6 Bus Timing

**2-WIRE CMOS SERIAL E²PROM
S-24CS01A/02A/04A/08A**

Table 12

Item	Symbol	-40 to +85°C V _{CC} =2.7 to 5.5 V			-40 to +105°C V _{CC} =4.5 to 5.5 V			Unit
		Min.	Typ.	Max.	Min.	Typ.	Max.	
Write time	t _{WR}	—	4.0	10.0	—	4.0	10.0	ms

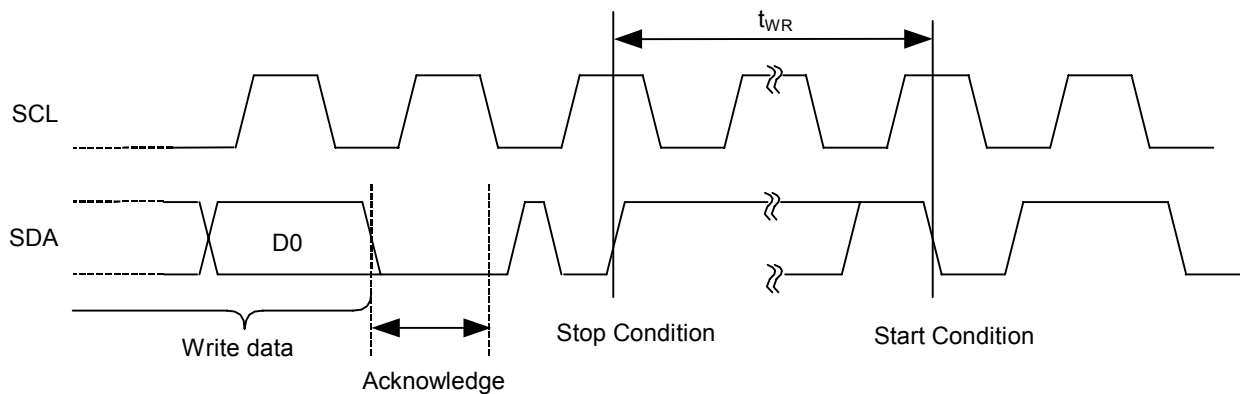


Figure 7 Write Cycle Timing

■ Pin Functions

1. Address Input Pins (A0, A1 and A2)

The slave address is assigned by connecting pins A0, A1 and A2 to the GND or to the V_{CC} respectively. One of the eight different slave address can be assigned to the S-24CS01A/02A by the combination of pins A0, A1 and A2.

The slave address is assigned by connecting pins A1 and A2 to the GND or to the V_{CC} respectively. One of the four different slave address can be assigned to the S-24CS04A by the combination of pins A1 and A2.

The slave address is assigned by connecting the A2 pin to the GND or to the V_{CC} respectively. The two different slave address can be assigned to the S-24CS08A by A2 pin.

The given slave address, which is compared with the slave address transmitted from the master device, is used to select the one among the multiple devices connected to the bus. The address input pin should be connected to the GND or to the V_{CC} .

2. SDA (Serial Data Input / Output) Pin

The SDA pin is used for bi-directional transmission of serial data. It consists of a signal input pin and an Nch open-drain output pin.

The SDA line is usually pulled up to the V_{CC} , and OR-wired with other open-drain or open-collector output devices.

3. SCL (Serial Clock Input) Pin

The SCL pin is used for serial clock input. Since signals are processed at the rising or falling edge of the SCL clock input signal, attention should be paid to the rising time and falling time to conform to the specifications.

4. WP Pin

The write protection is enabled by connecting the WP pin to the V_{CC} . When there is no need for write protection, connect the pin to the GND.

Remark Please refer to the Application Note “**TIPS, TRICKS AND TRAPS WHEN USING THE S-24C/24CS SERIES**” for equivalent circuit of each pin.

■ Operation

1. Start Condition

Start is identified by a high to low transition of the SDA line while the SCL line is stable at high. Every operation begins from a start condition.

2. Stop Condition

Stop is identified by a low to high transition of the SDA line while the SCL line is stable at high. When a device receives a stop condition during a read sequence, the read operation is interrupted, and the device enters standby mode. When a device receives a stop condition during a write sequence, the reception of the write data is halted, and the E²PROM initiates a write cycle.

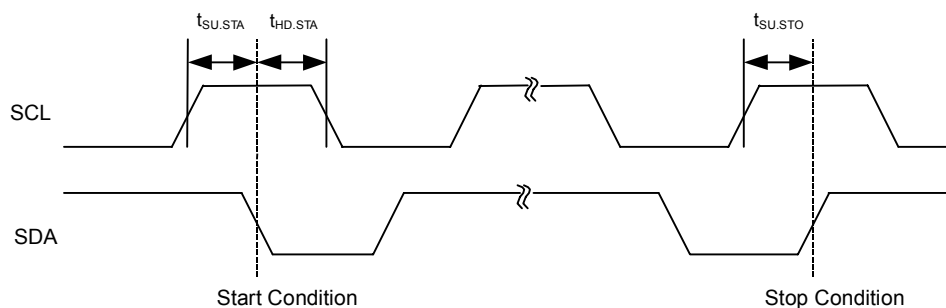


Figure 8 Start / Stop Conditions

3. Data Transmission

Changing the SDA line while the SCL line is low, data is transmitted.

Changing the SDA line while the SCL line is high, a start or stop condition is recognized.

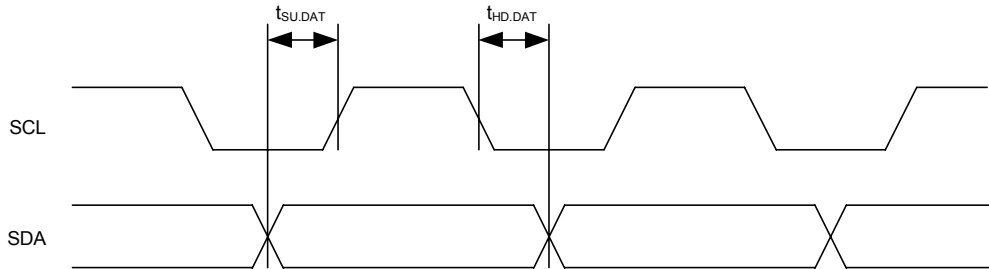


Figure 9 Data Transmission Timing

4. Acknowledge

The unit of data transmission is 8 bits. During the 9th clock cycle period the receiver on the bus pulls down the SDA line to acknowledge the receipt of the 8-bit data.

When a internal write cycle is in progress, the device does not generate an acknowledge.

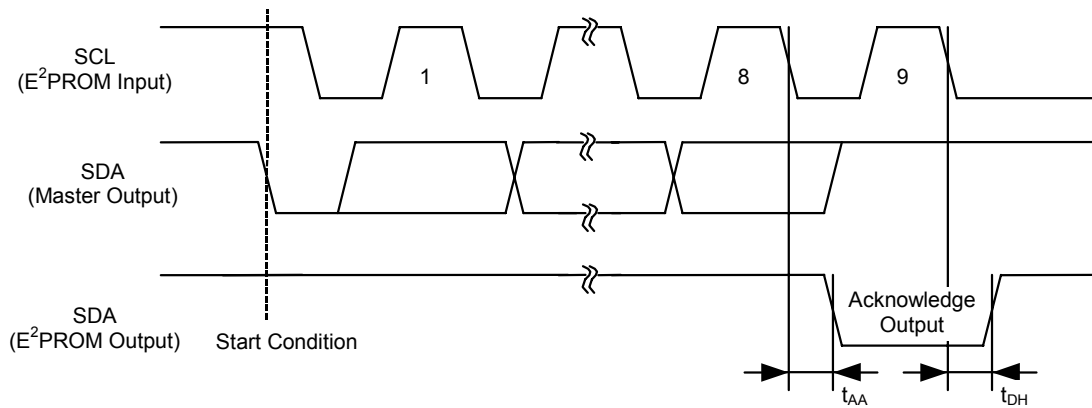


Figure 10 Acknowledge Output Timing

**2-WIRE CMOS SERIAL E²PROM
S-24CS01A/02A/04A/08A**

5. Device Addressing

To start communication, the master device on the system generates a start condition to the bus line. Next, the master device sends 7-bit device address and a 1-bit read / write instruction code on to the SDA bus. The 4 most significant bits of the device address are called the "Device Code", and are fixed to "1010".

In S-24CS01A/02A, successive 3 bits are called the "Slave Address". These 3 bits are used to identify a device on the system bus and are compared with the predetermined value which is defined by the address input pins (A0, A1 and A2). When the comparison result matches, the slave device responds with an acknowledge during the 9th clock cycle.

In S-24CS04A, successive 2 bits are called the "Slave Address." These 2 bits are used to identify a device on the system bus and are compared with the predetermined value which is defined by the address input pins (A1 and A2). When the comparison result matches, the slave device responds with an acknowledge during the 9th clock cycle.

The successive 1 bit (P0) is used to define a page address and choose the two 256-byte memory blocks (Address 000h to 0FFh and 100h to 1FFh).

In S-24CS08A, successive 1 bit is called the "Slave Address". This 1 bit is used to identify a device on the system bus and is compared with the predetermined value which is defined by the address input pin (A2). When the comparison result matches, the slave device responds with an acknowledge during the 9th clocks cycle.

The successive 2 bits (P1 and P0) are used to define a page address and choose the four 256-byte memory blocks (Address 000h to 0FFh, 100h to 1FFh, 200h to 2FFh and 300h to 3FFh).

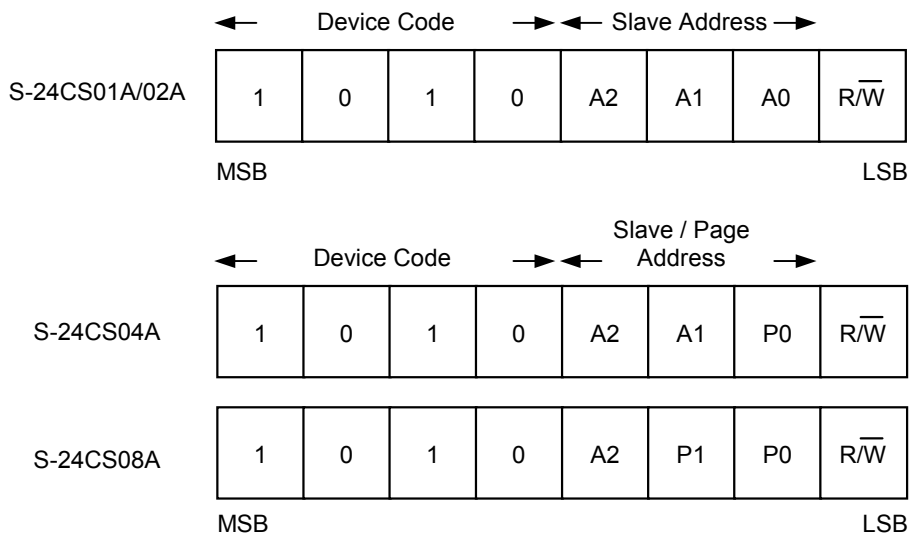


Figure 11 Device Address

Rev.2.0_10

6. Write

6.1 Byte Write

When the master sends a 7-bit device address and a 1-bit read / write instruction code set to "0", following a start condition, the E²PROM acknowledges it. The E²PROM then receives an 8-bit word address and responds with an acknowledge. After the E²PROM receives 8-bit write data and responds with an acknowledge, it receives a stop condition and that initiates the write cycle at the addressed memory. During the write cycle all operations are forbidden and no acknowledge is generated.

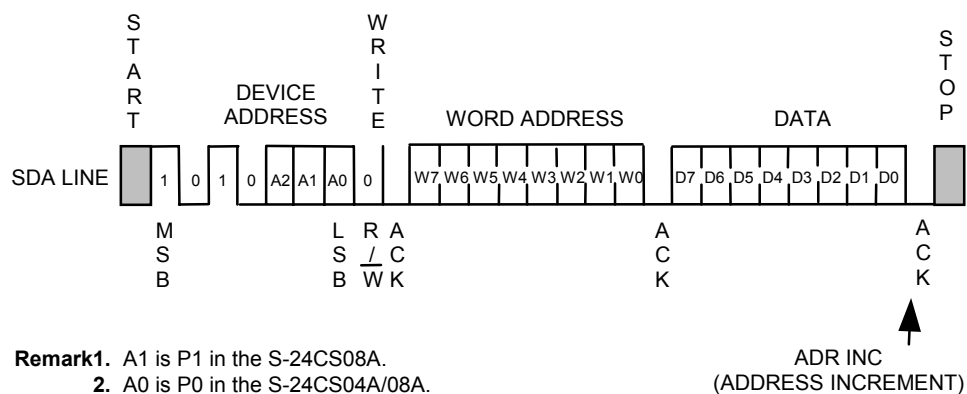


Figure 12 Byte Write

2-WIRE CMOS SERIAL E²PROM S-24CS01A/02A/04A/08A

Rev.2.0_10

6.2 Page Write

The page write mode allows up to 8 bytes to be written in a single wire operation in the S-24CS01A/02A and 16 bytes to be written in a single write operation in the S-24CS04A/08A.

Basic data transmission procedure is the same as that in the "Byte Write". But instead of generating a stop condition, the master transmits 8-bit write data up to 8 bytes before the page write.

When the E²PROM receives a 7-bit device address and a 1-bit read / write instruction code set to "0", following a start condition, it generates an acknowledge. Then the E²PROM receives an 8-bit word address, and responds with an acknowledge. After the E²PROM receives 8-bit write data and responds with an acknowledge, it receives 8-bit write data corresponding to the next word address, and generates an acknowledge. The E²PROM repeats reception of 8-bit write data and generation of acknowledge in succession. The E²PROM can receive as many write data as the maximum page size.

Receiving a stop condition initiates a write cycle of the area starting from the designated memory address and having the page size equal to the received write data.

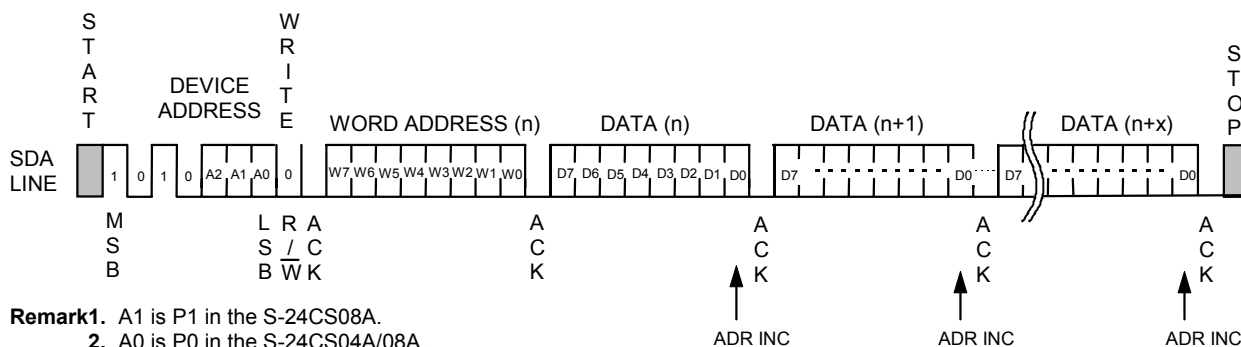


Figure 13 Page Write

In S-24CS01A/02A, the lower 3 bits of the word address are automatically incremented every time when the E²PROM receives 8-bit write data. If the size of the write data exceeds 8 bytes, the upper 5 bits of the word address remain unchanged, and the lower 3 bits are rolled over and previously received data will be overwritten.

In S-24CS04A, the lower 4 bits of the word address are automatically incremented every time when the E²PROM receives 8-bit write data. If the size of the write data exceeds 16 bytes, the upper 4 bits of the word address and page address (P0) remain unchanged, and the lower 4 bits are rolled over and previously received data will be overwritten.

In S-24CS08A, the lower 4 bits of the word address are automatically incremented every time when the E²PROM receives 8-bit write data. If the size of the write data exceeds 16 bytes, the upper 4 bits of the word address and page address (P1 and P0) remain unchanged, and the lower 4 bits are rolled over and previously received data will be overwritten.

6.3 Acknowledge Polling

Acknowledge polling is used to know the completion of the write cycle in the E²PROM.

After the E²PROM receives a stop condition and once starts the write cycle, all operations are forbidden and no response is made to the signal transmitted by the master device.

Accordingly the master device can recognize the completion of the write cycle in the E²PROM by detecting a response from the slave device after transmitting the start condition, the device address and the read/write instruction code to the E²PROM, namely to the slave devices.

That is, if the E²PROM does not generate an acknowledge, the write cycle is in progress and if the E²PROM generates an acknowledge, the write cycle has been completed.

It is recommended to use the read instruction "1" as the read/write instruction code transmitted by the master device.

6.4 Write Protection

Write protection is available in the S-24CS01A/02A/04A/08A. When the WP pin is connected to the V_{CC}, write operation to memory area is forbidden at all.

When the WP pin is connected to the GND, the write protection is invalid, and write operation in all memory area is available. There is no need for using write protection, the WP pin should be connected to the GND.

The write protection is valid in the operating voltage range.

**2-WIRE CMOS SERIAL E²PROM
S-24CS01A/02A/04A/08A**

7. Read

7.1 Current Address Read

Either in writing or in reading the E²PROM holds the last accessed memory address, internally incremented by one. The memory address is maintained as long as the power voltage is higher than the current address hold voltage V_{AH}.

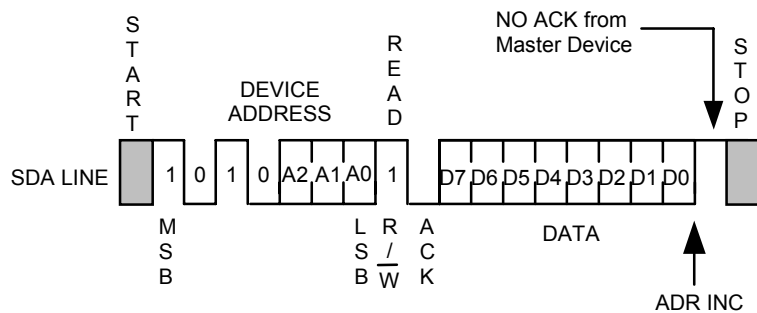
The master device can read the data at the memory address of the current address pointer without assigning the word address as a result, when it recognizes the position of the address pointer in the E²PROM. This is called "Current Address Read".

In the following the address counter in the E²PROM is assumed to be "n".

When the E²PROM receives a 7-bit device address and a 1-bit read / write instruction code set to "1" following a start condition, it responds with an acknowledge. However, the page address (P0) in S-24CS04A and the page address (P1 and P0) in S-24CS08A become invalid and the memory address of the current address pointer becomes valid.

Next an 8-bit data at the address "n" is sent from the E²PROM synchronous to the SCL clock. The address counter is incremented at the falling edge of the SCL clock for the 8th bit data, and the content of the address counter becomes n+1.

The master device has to not acknowledge the 8-bit data and terminates the reading with a stop condition.



- Remark1.** A1 is P1 in S-24CS08A.
2. A0 is P0 in S-24CS04A/08A.

Figure 14 Current Address Read

Attention should be paid to the following point on the recognition of the address pointer in the E²PROM. In the read operation the memory address counter in the E²PROM is automatically incremented at every falling edge of the SCL clock for the 8th bit of the output data. In the write operation, on the other hand, the upper bits of the memory address (the upper bits of the word address and page address)^{*1} are left unchanged and are not incremented at the falling edge of the SCL clock for the 8th bit of the received data.

- *1.** S-24CS01A/02A is the upper 5 bits of the word address.
S-24CS04A is the upper 4 bits of the word address and the page address P0.
S-24CS08A is the upper 4 bits of the word address and the page address P1 and P0.

Rev.2.0_10

7.2 Random Read

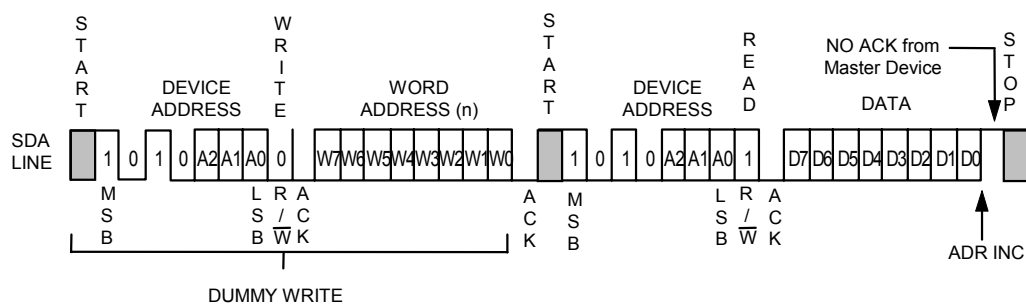
Random read is used to read the data at an arbitrary memory address.

A dummy write is performed to load the memory address into the address counter.

When the E²PROM receives a 7-bit device address and a 1-bit read / write instruction code set to "0" following a start condition, it responds with an acknowledge. The E²PROM then receives an 8-bit word address and responds with an acknowledge. The memory address is loaded to the address counter in the E²PROM by these operations. Reception of write data does not follow in a dummy write whereas reception of write data follows in a byte write and in a page write.

Since the memory address is loaded into the memory address counter by dummy write, the master device can read the data starting from the arbitrary memory address by transmitting a new start condition and performing the same operation in the current address read.

That is, when the E²PROM receives a 7-bit device address and a 1-bit read / write instruction code set to "1", following a start condition signal, it responds with an acknowledge. Next, 8-bit data is transmitted from the E²PROM in synchronous to the SCL clock. The master device has to not acknowledge and terminates the reading with a stop condition.



- Remark1.**
1. A1 is P1 in the S-24CS08A.
 2. A0 is P0 in the S-24CS04A/08A.
 3. W7 is optional in the S-24CS01A.

Figure 15 Random Read

2-WIRE CMOS SERIAL E²PROM S-24CS01A/02A/04A/08A

7.3 Sequential Read

When the E²PROM receives a 7-bit device address and a 1-bit read / write instruction code set to "1" following a start condition both in current and random read operations, it responds with an acknowledge. An 8-bit data is then sent from the E²PROM synchronous to the SCL clock and the address counter is automatically incremented at the falling edge of the SCL clock for the 8th bit data. When the master device responds with an acknowledge, the data at the next memory address is transmitted. Response with an acknowledge by the master device has the memory address counter in the E²PROM incremented and makes it possible to read data in succession. This is called "Sequential Read". The master device has not acknowledge and terminates the reading with a stop condition. Data can be read in succession in the sequential read mode. When the memory address counter reaches the last word address, it rolls over to the first memory address.

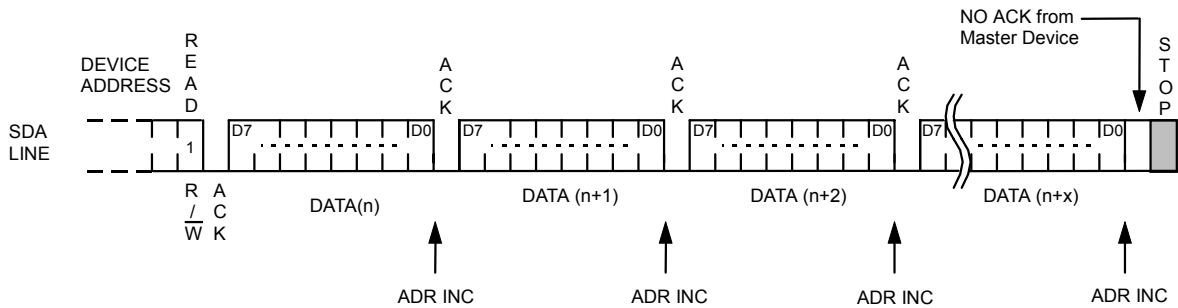


Figure 16 Sequential Read

8. Address Increment Timing

The timing for the automatic address increment is the falling edge of the SCL clock for the 8th bit of the read data in read operation and the the falling edge of the SCL clock for the 8th bit of the received data in write operation.

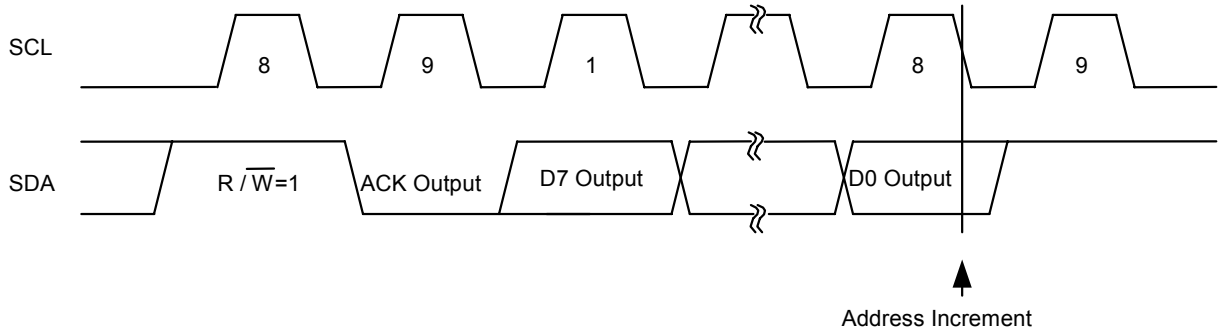


Figure 17 Address Increment Timing in Reading

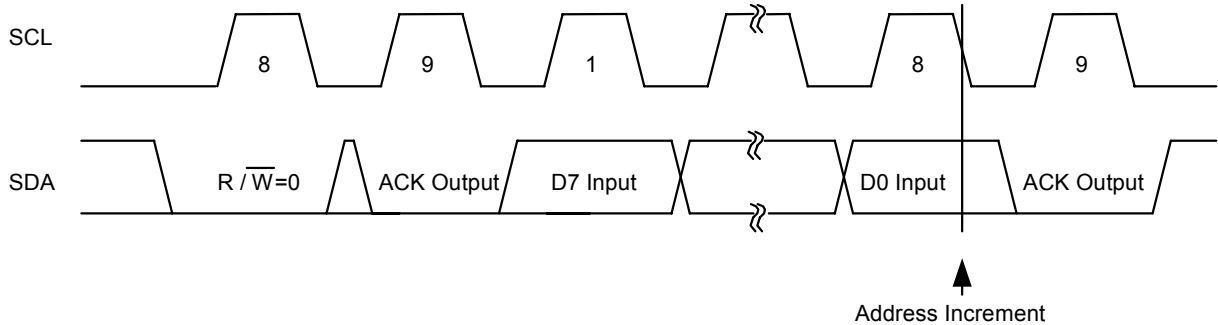


Figure 18 Address Increment Timing in Writing

Write inhibition function at low power voltage

The S-24CS01A/02A/04A/08A have a detection circuit for low power voltage. The detection circuit cancels a write instruction when the power voltage is low or the power switch is on. The detection voltage is 1.75 V typically and the release voltage is 2.05 V typically, the hysteresis of approximate 0.3 V thus exists. (See **Figure 19.**)

When a low power voltage is detected, a write instruction is canceled at the reception of a stop condition. When the power voltage lowers during a data transmission or a write operation, the date at the address of the operation is not assured.

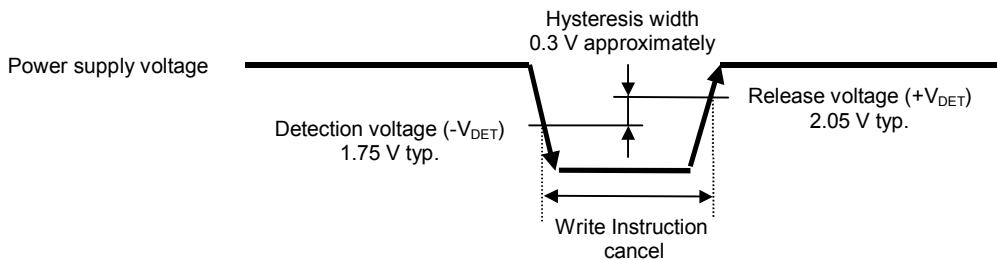


Figure 19 Operation at low power voltage

2-WIRE CMOS SERIAL E²PROM S-24CS01A/02A/04A/08A

Rev.2.0_10

■ Precautions

- Generally, an E²PROM may cause a malfunction by the operation in low voltage range induced by power ON/OFF. The S-24CS01A/02A/04A/08A initialize themselves by the power on clear circuit at power on. Attention should be paid to the followings so as to operate the power on clear circuit correctly, otherwise malfunction may occur.
 1. All input and output pins should be connected to the V_{CC} or the GND level so as not to be floating.
 2. Raise the power voltage up to the operation voltage from 0 V without staying at middle range.
 3. Raising speed of the power voltage should be faster than 40 ms/V.
 4. Power off interval before power on should be longer than 100 ms.
- Do not apply an electrostatic discharge to this IC that exceeds the performance ratings of the built-in electrostatic protection circuit.
- SII claims no responsibility for any and all disputes arising out of or in connection with any infringement of the products including this IC upon patents owned by a third party.

■ I²C Bus License

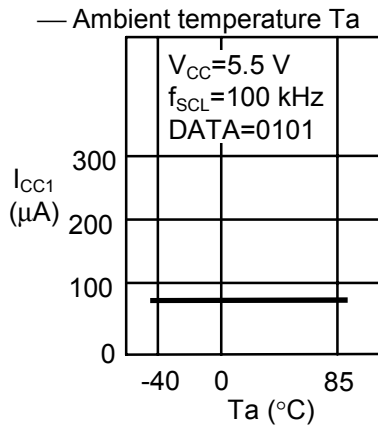
Purchase of I²C components of Seiko Instruments Inc., conveys a license under the Philips I²C Patent. Rights to use these components in an I²C system, is granted provided that the system conforms to the I²C Standard Specification as defined by Philips.

Please note that a product or a system incorporating this IC may infringe upon the Philips I²C Patent Rights depending upon its configuration. In the event of such infringement Seiko Instruments Inc., shall not bear any responsibility for any matters with regard to and arising from such patent infringement.

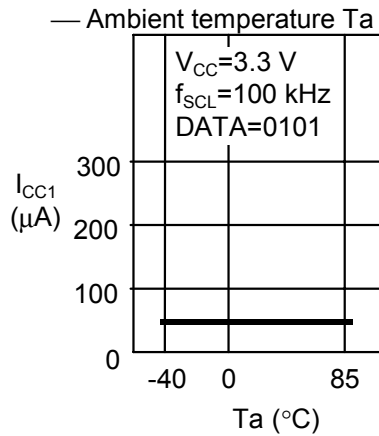
■ **Typical Characteristics**

1. DC Characteristics

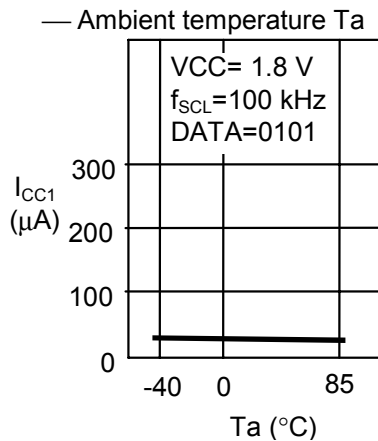
1.1 Current consumption (READ) I_{CC1}



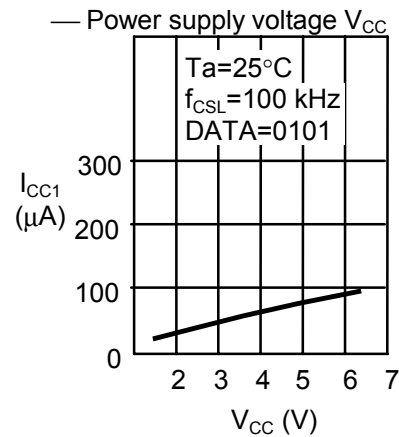
1.2 Current consumption (READ) I_{CC1}



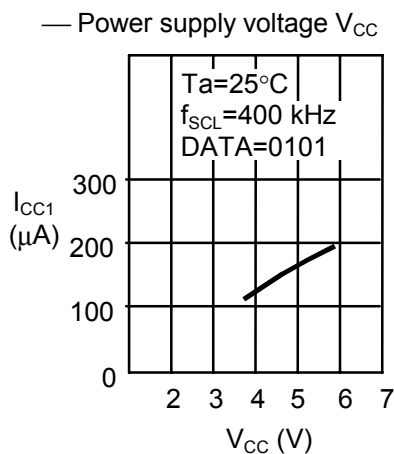
1.3 Current consumption (READ) I_{CC1}



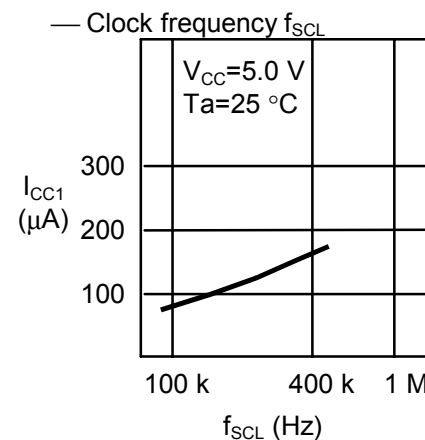
1.4 Current consumption (READ) I_{CC1}



1.5 Current consumption (READ) I_{CC1}

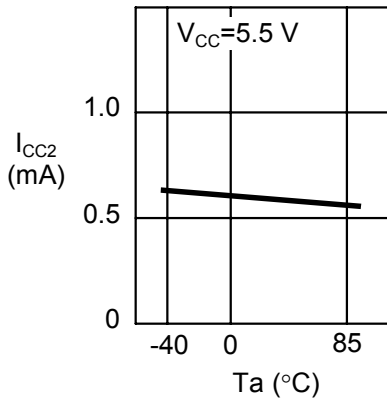


1.6 Current consumption (READ) I_{CC1}

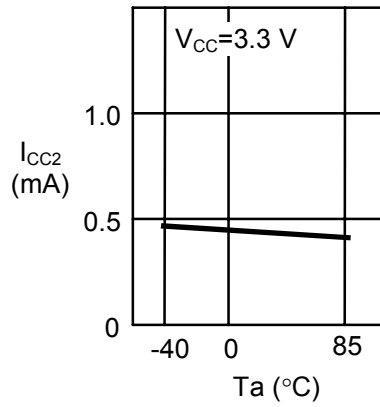


**2-WIRE CMOS SERIAL E²PROM
S-24CS01A/02A/04A/08A**

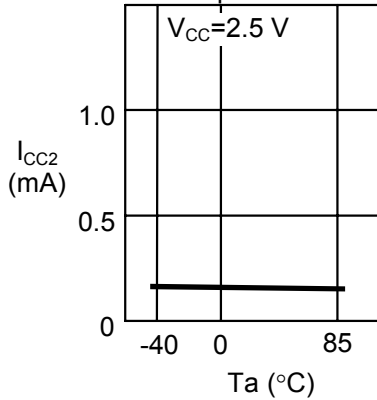
1.7 Current consumption (PROGRAM) I_{CC2}
— Ambient temperature T_a



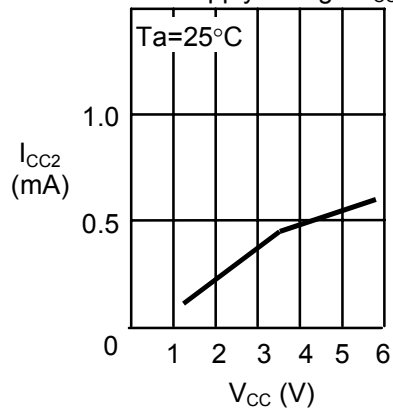
1.8 Current consumption (PROGRAM) I_{CC2}
— Ambient temperature T_a



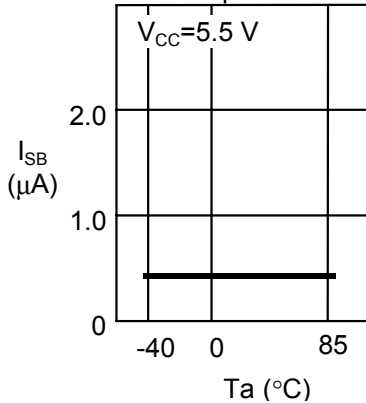
1.9 Current consumption (PROGRAM) I_{CC2}
— Ambient temperature T_a



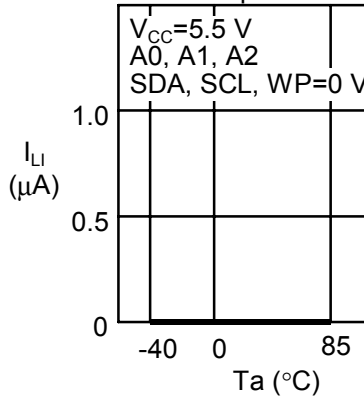
1.10 Current consumption (PROGRAM) I_{CC2}
— Power supply voltage V_{CC}



1.11 Standby current consumption I_{SB}
— Ambient temperature T_a

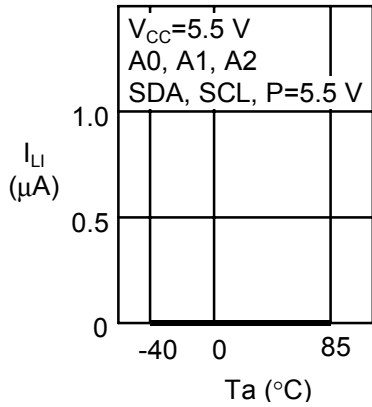


1.12 Input leakage current I_{LI}
— Ambient temperature T_a

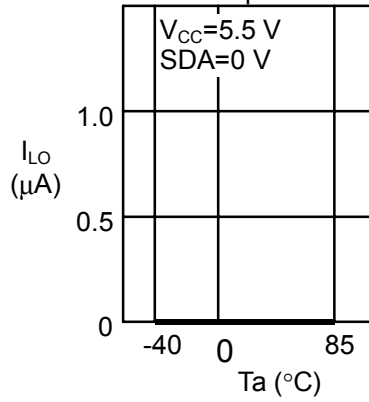


Rev.2.0_10

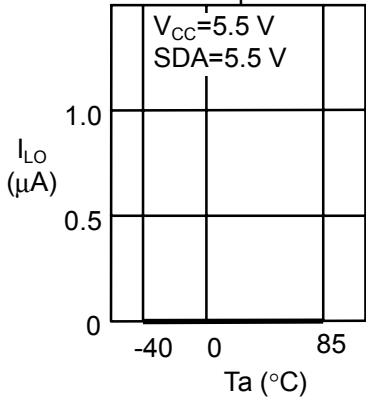
1.13 Input leakage current I_{LI}
— Ambient temperature T_a



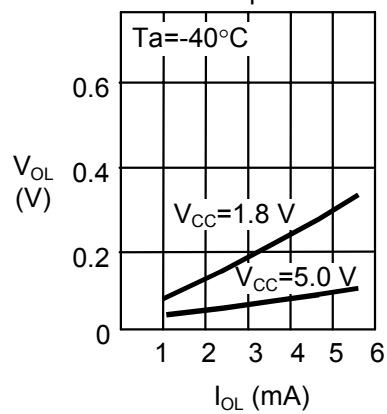
1.14 Output leakage current I_{LO}
— Ambient temperature T_a



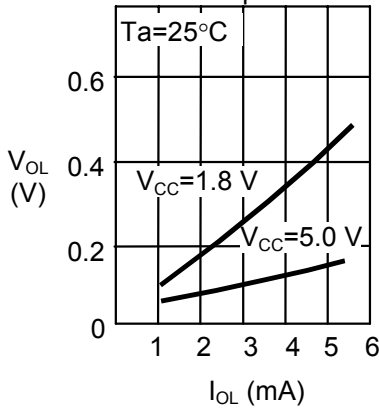
1.15 Output leakage current I_{LO}
— Ambient temperature T_a



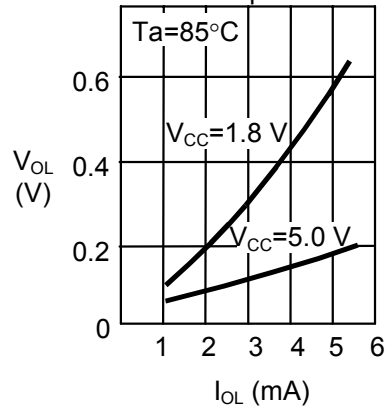
1.16 Low level output voltage V_{OL}
— Low level output current I_{OL}



1.17 Low level output voltage V_{OL}
— Low level output current I_{OL}

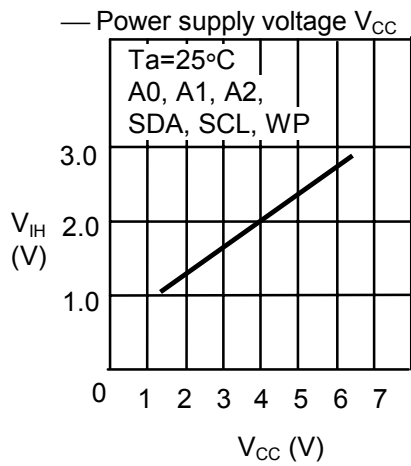


1.18 Low level output voltage V_{OL}
— Low level output current I_{OL}

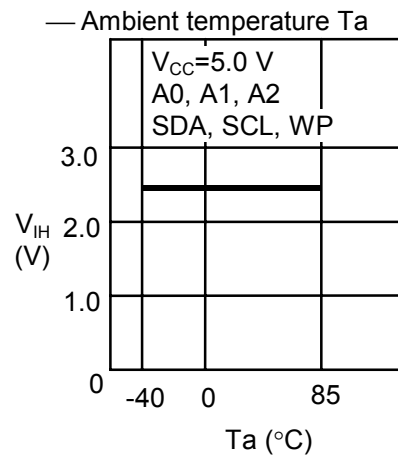


**2-WIRE CMOS SERIAL E²PROM
S-24CS01A/02A/04A/08A**

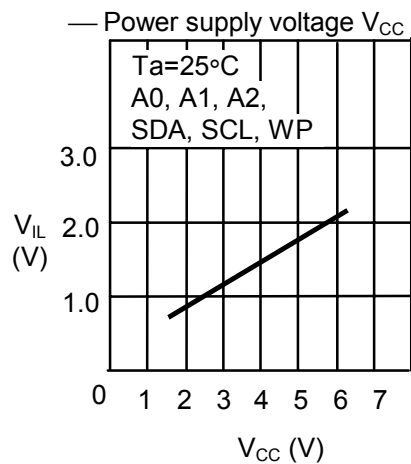
1.19 High input inversion voltage V_{IH}



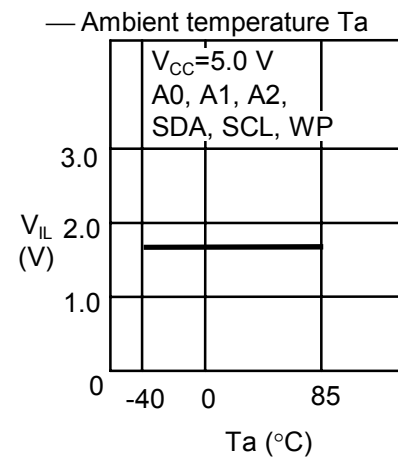
1.20 High input inversion voltage V_{IH}



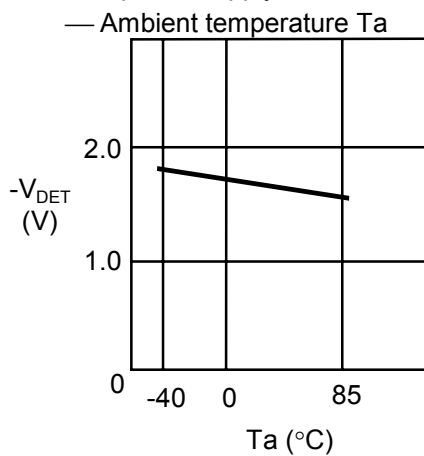
1.21 Low input inversion voltage V_{IL}



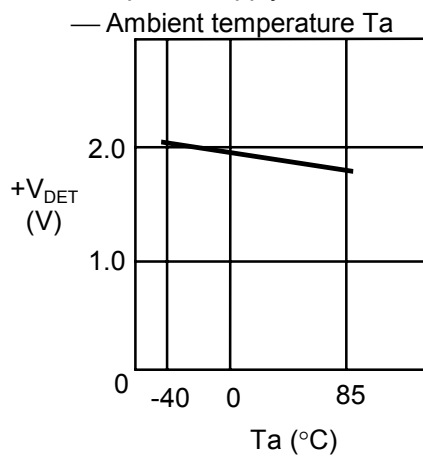
1.22 Low input inversion voltage V_{IL}



1.23 Low power supply detection voltage $-V_{DET}$

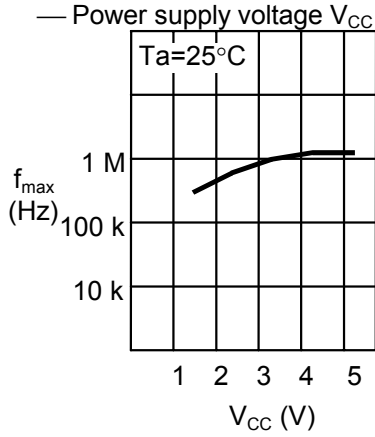


1.24 Low power supply release voltage $+V_{DET}$

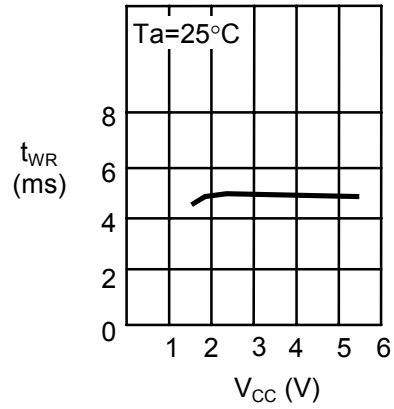


2. AC Characteristics

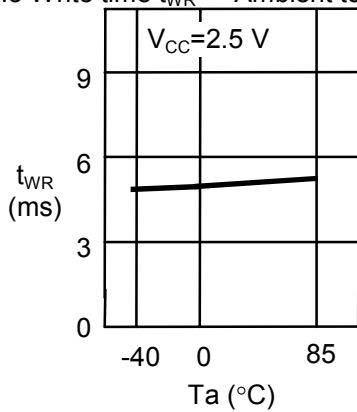
2.1 Maximum operating frequency f_{max} .



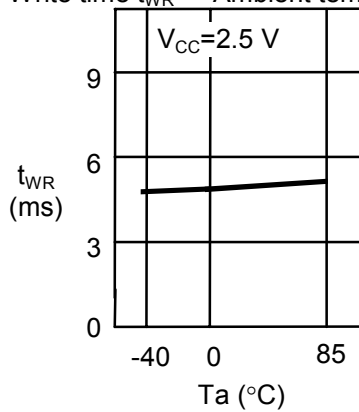
2.2 Write time t_{WR} — Power supply voltage V_{CC}



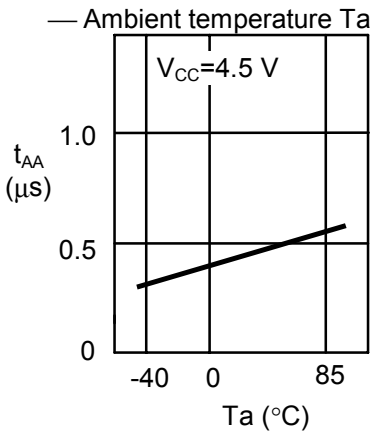
2.3 Write time t_{WR} — Ambient temperature T_a



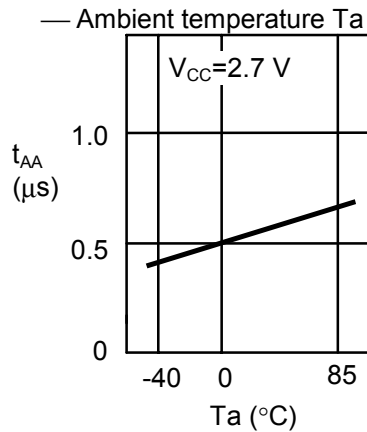
2.4 Write time t_{WR} — Ambient temperature T_a



2.5 SDA output delay time t_{AA}

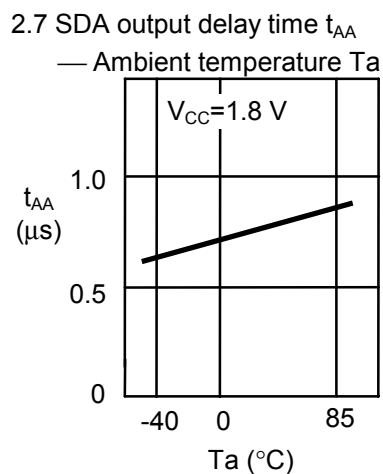


2.6 SDA output delay time t_{AA}

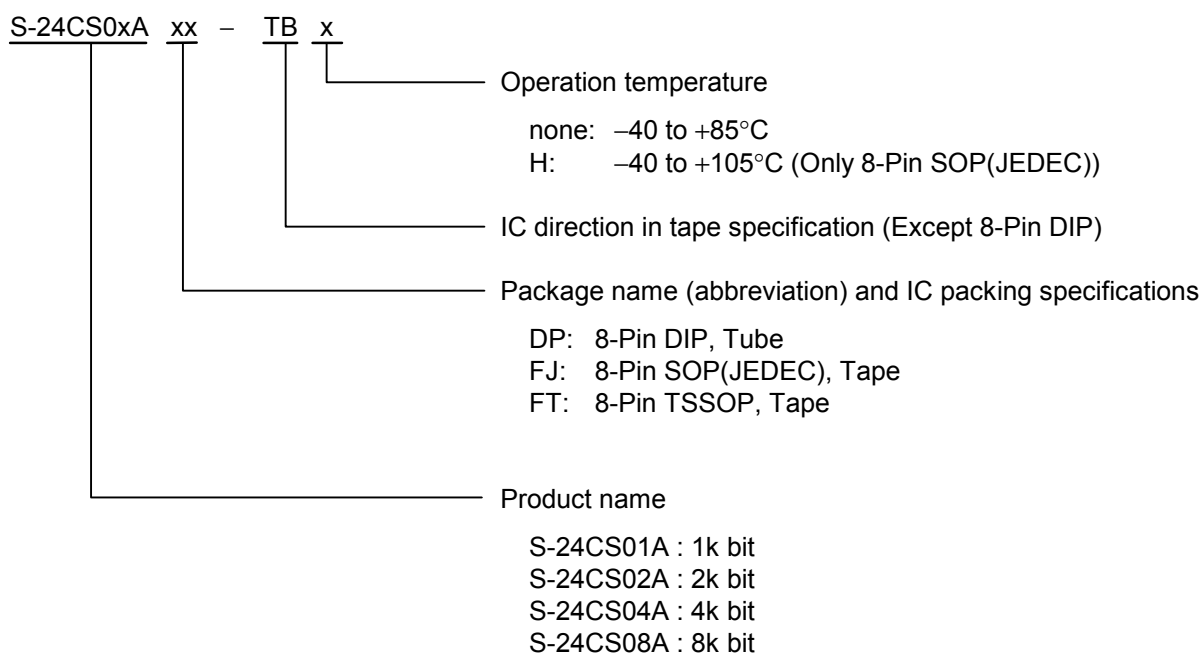


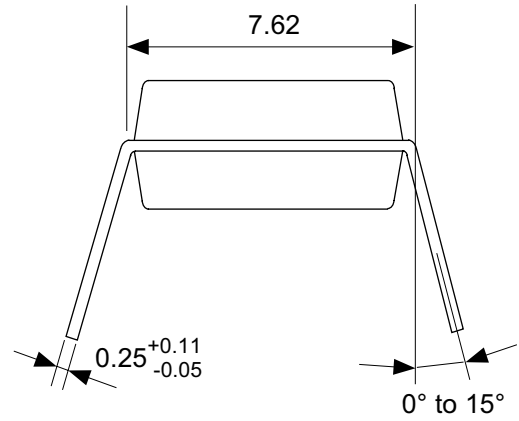
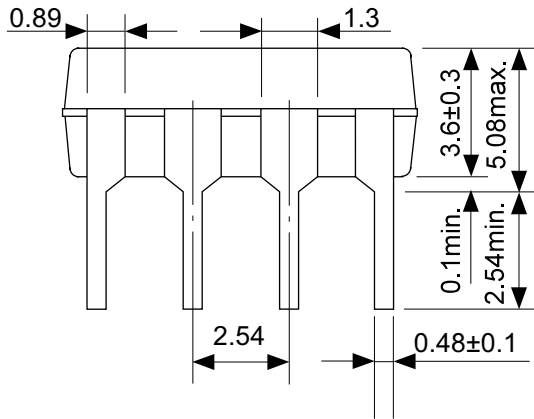
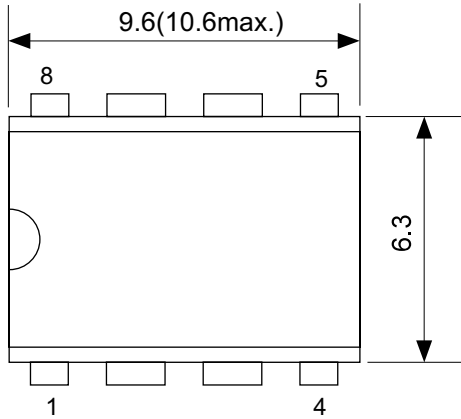
2-WIRE CMOS SERIAL E²PROM S-24CS01A/02A/04A/08A

Rev.2.0_10



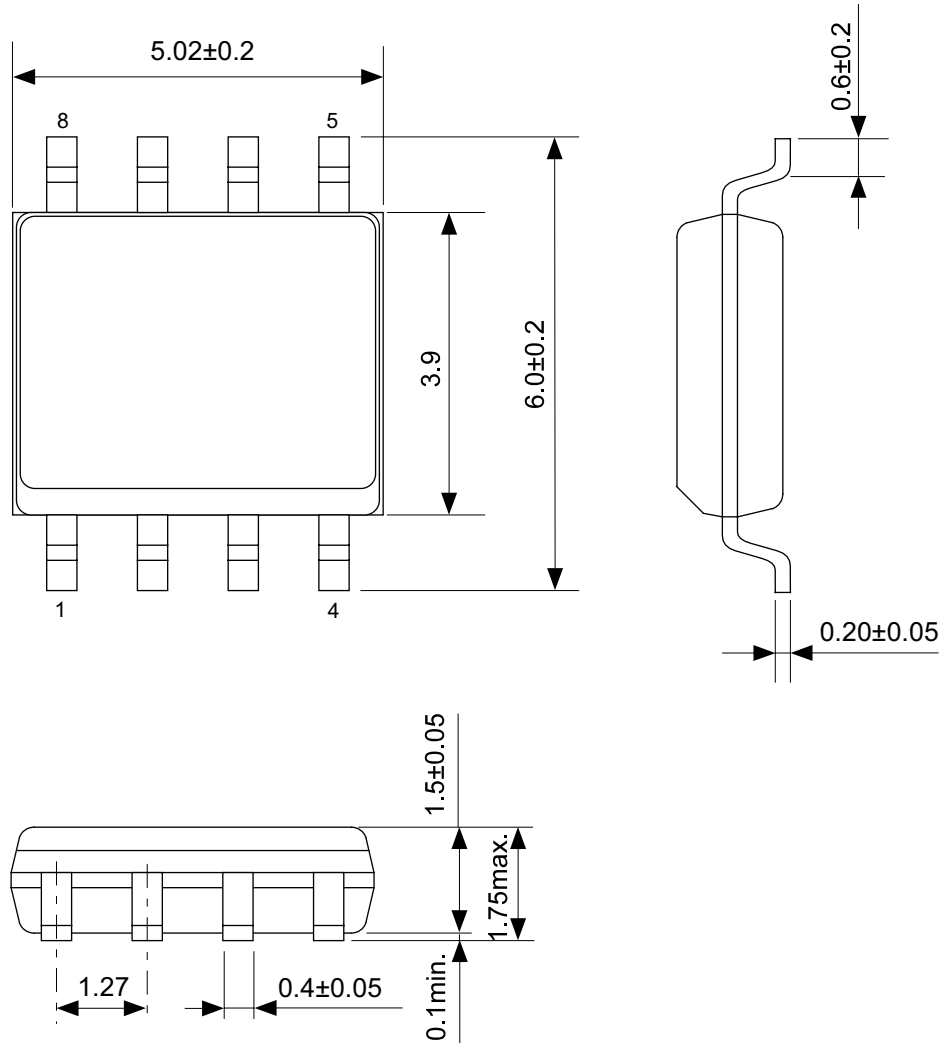
■ Ordering Information





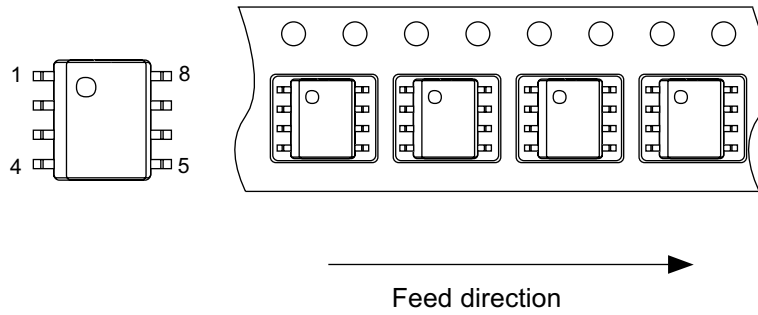
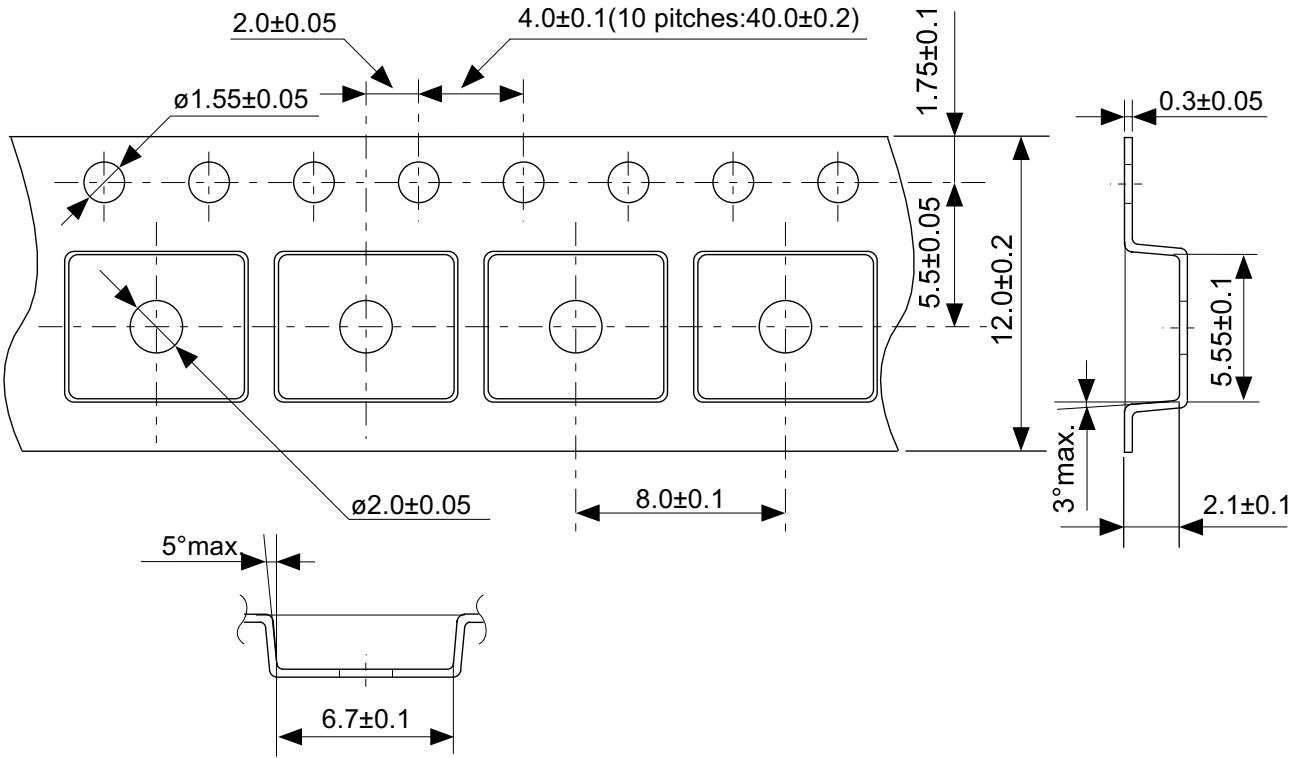
No. DP008-F-P-SD-1.1

TITLE	DIP8-F-PKG Dimensions
No.	DP008-F-P-SD-1.1
SCALE	
UNIT	mm
Seiko Instruments Inc. www.DataSheet4U.com	



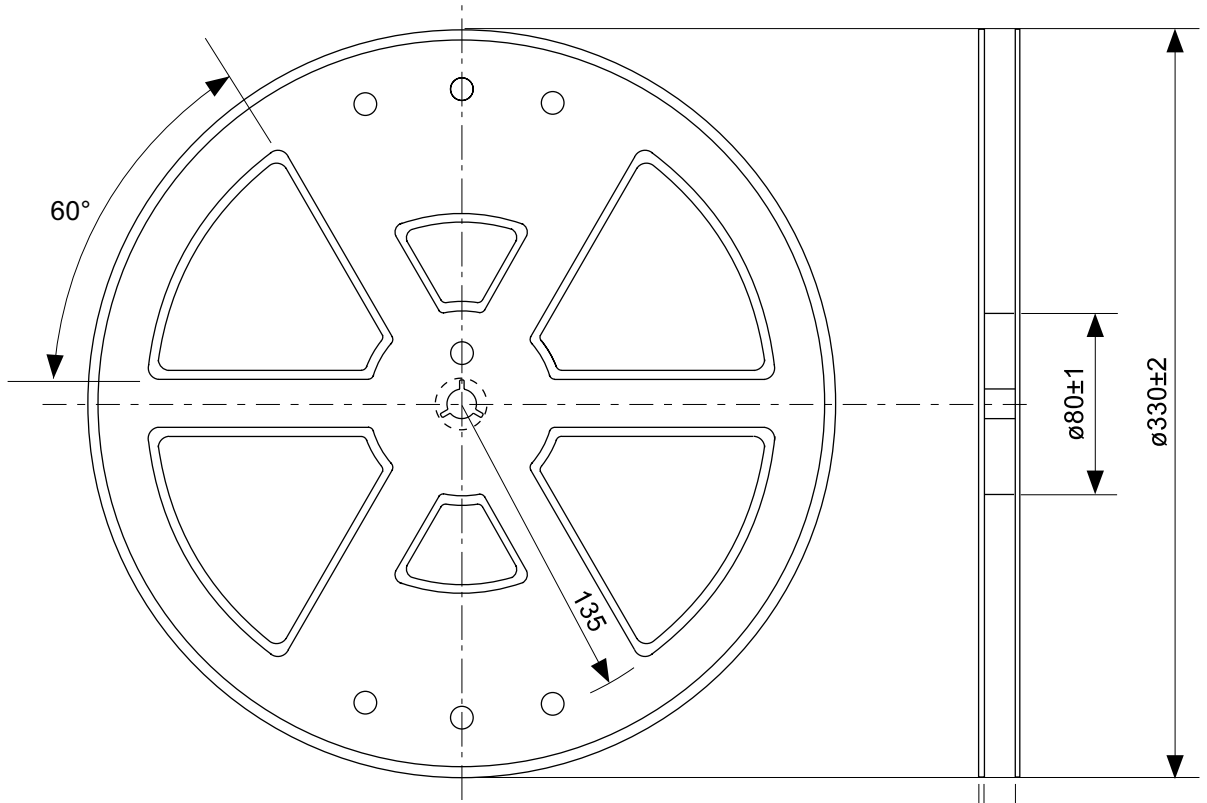
No. FJ008-A-P-SD-2.1

TITLE	SOP8J-A-PKG Dimensions
No.	FJ008-A-P-SD-2.1
SCALE	
UNIT	mm
Seiko Instruments, Inc.	

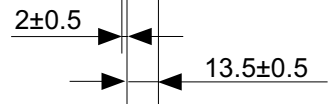
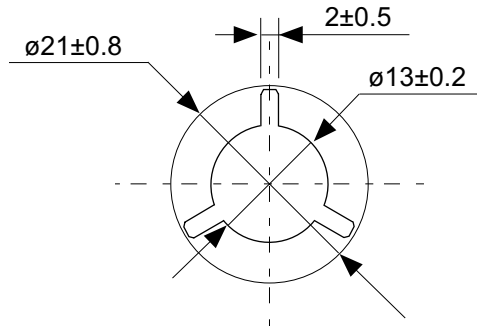


No. FJ008-D-C-SD-1.1

TITLE	SOP8J-D-Carrier Tape
No.	FJ008-D-C-SD-1.1
SCALE	
UNIT	mm

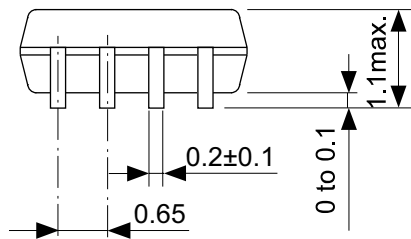
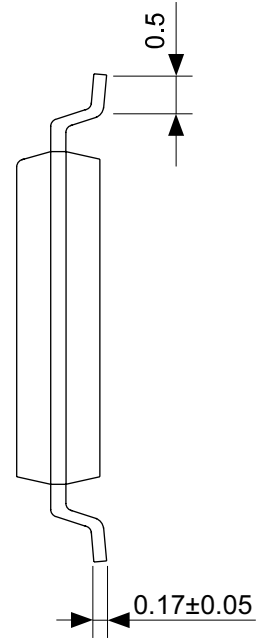
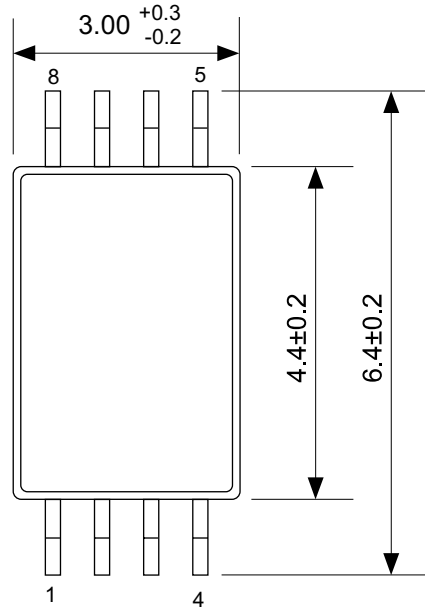


Enlarged drawing in the central part



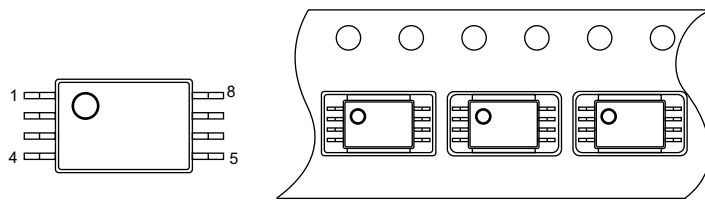
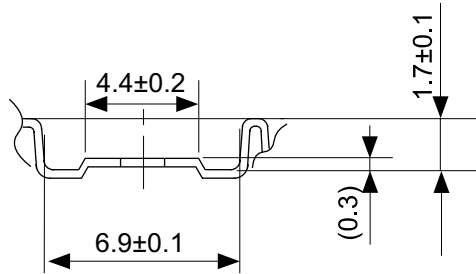
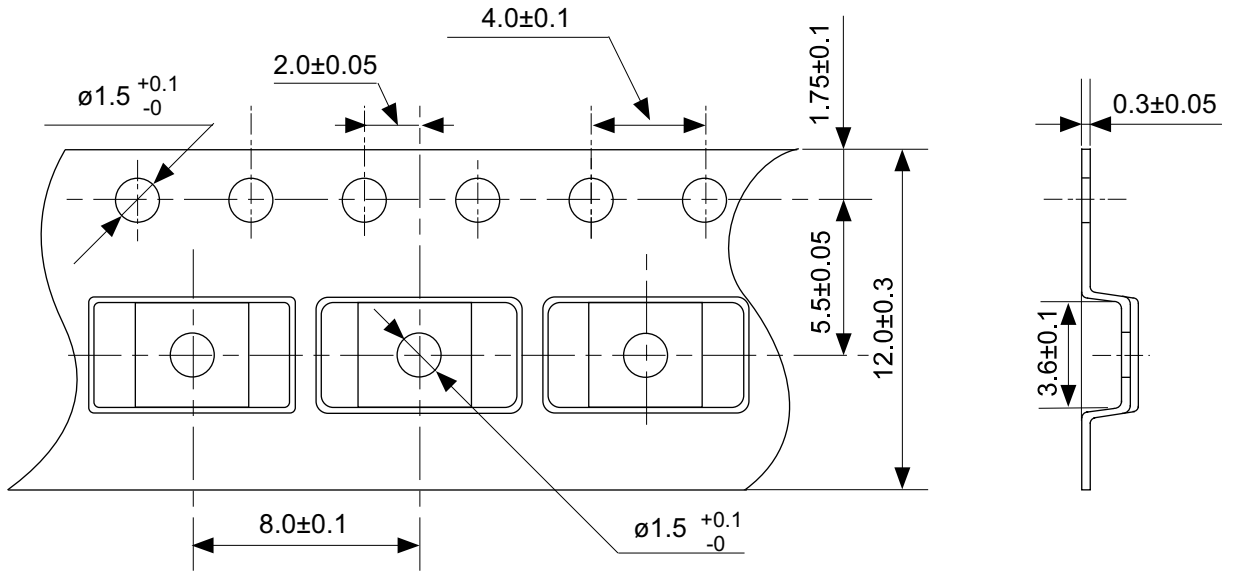
No. FJ008-D-R-SD-1.1

TITLE	SOP8J-D-Reel		
No.	FJ008-D-R-SD-1.1		
SCALE		QTY.	2,000
UNIT	mm		



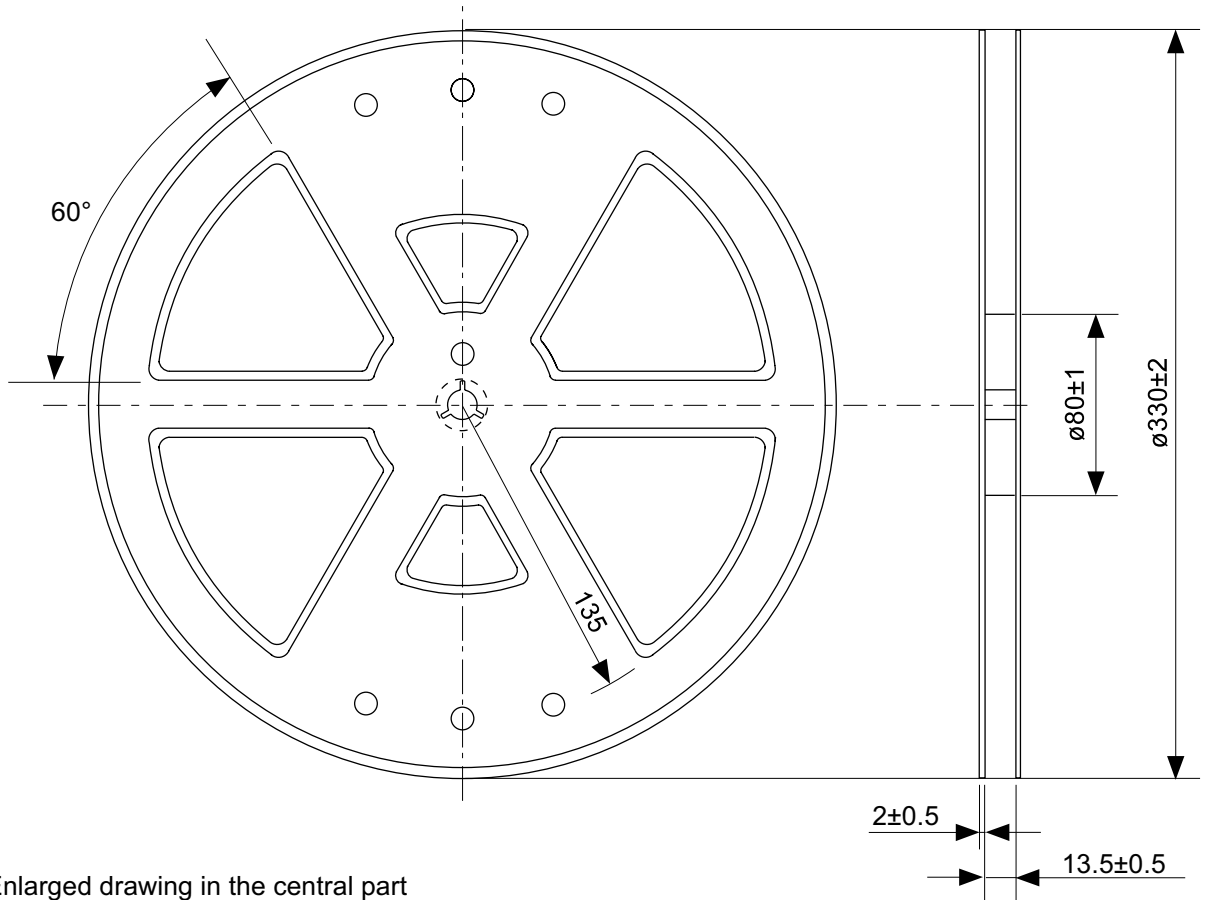
No. FT008-A-P-SD-1.1

TITLE	TSSOP8-A-PKG Dimensions
No.	FT008-A-P-SD-1.1
SCALE	
UNIT	mm
Seiko Instruments Inc. <small>www.DataSheet4U.com</small>	

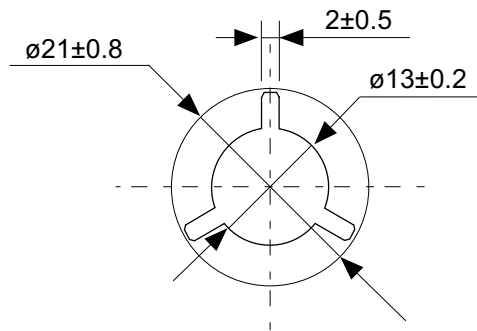


No. FT008-D-C-SD-1.0

TITLE	TSSOP8-D-Carrier Tape
No.	FT008-D-C-SD-1.0
SCALE	
UNIT	mm
Seiko Instruments Inc. www.DataSheet4U.com	



Enlarged drawing in the central part



No. FT008-D-R-SD-1.0

TITLE	TSSOP8-D-Reel		
No.	FT008-D-R-SD-1.0		
SCALE		QTY.	3,000
UNIT	mm		
Seiko Instruments Inc. <small>www.DataSheet4U.com</small>			

- The information described herein is subject to change without notice.
- Seiko Instruments Inc. is not responsible for any problems caused by circuits or diagrams described herein whose related industrial properties, patents, or other rights belong to third parties. The application circuit examples explain typical applications of the products, and do not guarantee the success of any specific mass-production design.
- When the products described herein are regulated products subject to the Wassenaar Arrangement or other agreements, they may not be exported without authorization from the appropriate governmental authority.
- Use of the information described herein for other purposes and/or reproduction or copying without the express permission of Seiko Instruments Inc. is strictly prohibited.
- The products described herein cannot be used as part of any device or equipment affecting the human body, such as exercise equipment, medical equipment, security systems, gas equipment, or any apparatus installed in airplanes and other vehicles, without prior written permission of Seiko Instruments Inc.
- Although Seiko Instruments Inc. exerts the greatest possible effort to ensure high quality and reliability, the failure or malfunction of semiconductor products may occur. The user of these products should therefore give thorough consideration to safety design, including redundancy, fire-prevention measures, and malfunction prevention, to prevent any accidents, fires, or community damage that may ensue.