



Short description



- Nickel plated alloy steel IP67 spoke type load cell
- High accuracy
- Suitable for hanging, hopper and other electronic weighing devices

Available models

Capacity	Accuracy	Full article description
1t	C1/C2/C3	H2F-C1/C2/C3-1t-3T6
2t	C1/C2/C3	H2F-C1/C2/C3-2t-3T6
3t	C1/C2/C3	H2F-C1/C2/C3-3t-3T6
5t	C1/C2	H2F-C1/C2-5t-4T6
10t	C1/C2	H2F-C1/C2-10t-4T6
15t	C1	H2F-C1-15t-5T6
20t	C1	H2F-C1-20t-5T6
30t	C1	H2F-C1-30t-5T6
50t	C1	H2F-C1-50t-5T6

Specifications and dimensions are subject to change without notice and do not constitute any liability whatsoever.

Detailed specifications H2F

Accuracy class		C1	C2	C3
Output sensitivity (= FS)	mV/V	2.0 ± 0.01		
Maximum capacity (E _{max})	t	1, 2, 3, 5, 10, 15, 20, 30, 50	1, 2, 3, 5, 10	1, 2, 3
Max.number of load cell intervals	n _{LC}	1000	2000	3000
Ratio of min. LC verification interval	Y = E _{max} / v _{min}	3000	5000	7500
Combined Error	%FS	≤± 0.0500	≤± 0.0300	≤± 0.0200
Minimum dead load	Of E _{max}	0%		
Safe overload	of E _{max}	150 %		
Ultimate overload	of E _{max}	300 %		
Zero balance	of FS	< ± 1.0 %		
Excitation, recommended voltage	V	5 ~ 12		
Excitation maximum	V	18		
Input resistance	Ω	770 ± 30		
Output resistance	Ω	700 ± 7		
Insulation resistance	MΩ	≥5000 (at 50VDC)		
Compensated temperature	°C	-10 ~ +40		
Operating temperature	°C	-35 ~ +65		
Storage temperature	°C	-40 ~ +70		
Element material		Nickel plated alloy steel		
Ingress Protection (acc. to EN 60529)		IP67		
Recommended torque on fixation	Nm	M8:25	M10:50	M12:75

Wiring

Wiring:

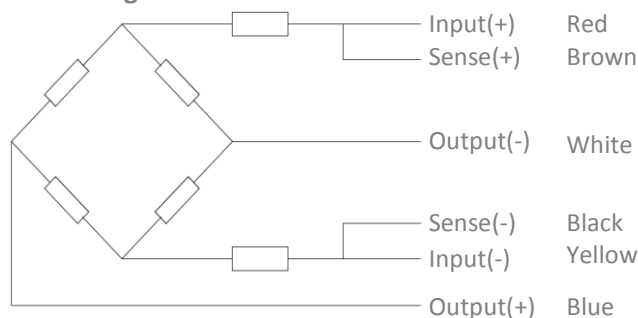
Shielded, 6 conductor cable.

Cable diameter: Ø5mm

Standard cable length for 1t – 3t: 3m, for 5t – 10t: 4m and for 15t – 50t: 5m

Shield not connected to element

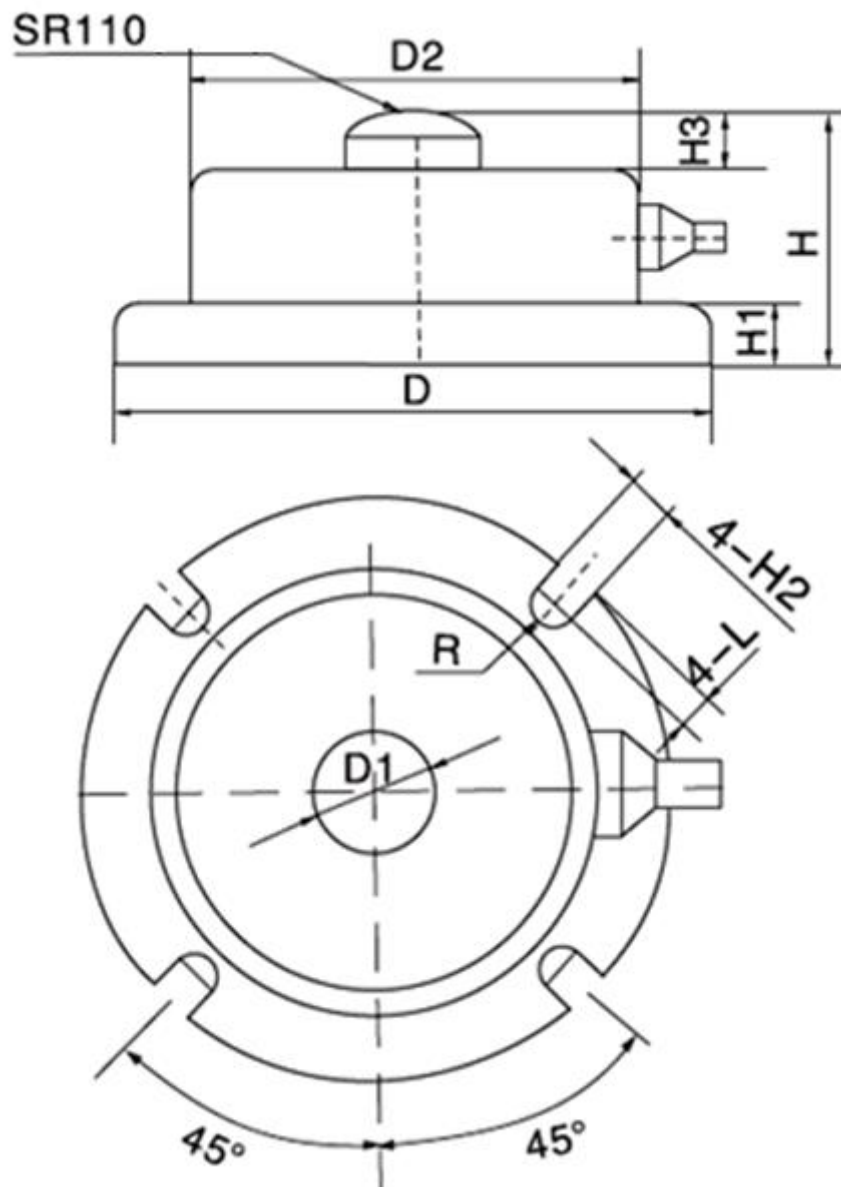
6-wire diagram



Specifications and dimensions are subject to change without notice and do not constitute any liability whatsoever.

Type H2F Load Cell

Dimensions in mm



Dimension Capacity	D	D1	D2	H	H1	H2	H3	L
1t	115	22	86	43	12	8.4	5	8
2t	120	26	90	45	12	8.4	5	8
3t	128	20	100	46	8	10.4	5	7
5t	128	20	100	46	8	10.4	5	7
10t	160	40	120	63	15	10.4	10	10
15t	194	42	154	68	20	12.4	10	12
20t	220	44	170	73	22	12.4	10	12
30t	230	48	188	78	25	12.4	10	12
50t	264	52	214	90	30	12.4	10	12

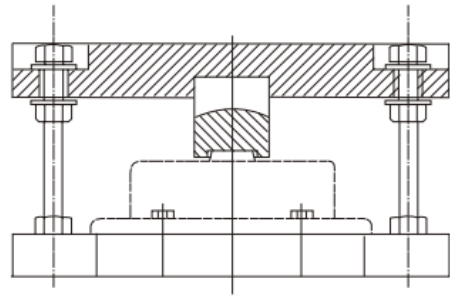
Specifications and dimensions are subject to change without notice and do not constitute any liability whatsoever.

Type H2F Load Cell

Available accessories

HM-2-401-1t-50t

- Alloy Steel
- Built-in horizontal movement control
- Lift-off protection



Specifications and dimensions are subject to change without notice and do not constitute any liability whatsoever.