

Value Line Transmitter

Applications

- Ultra low-power wireless applications operating in the 315/433/868/915 MHz ISM/SRD bands
- Wireless alarm and security systems
- Industrial monitoring and control

- Remote Controls
- Toys
- Home and building automation
- Active RFID

Key Features

RF Performance

- Programmable output power up to +12 dBm
- Programmable data rate from 0.6 to 600 kbps
- Frequency bands: 300 - 348 MHz, 387 - 464 MHz, and 779 - 928 MHz
- 2-FSK, 4-FSK, GFSK, and OOK supported

Digital Features

- Flexible support for packet oriented systems
- On-chip support for sync word insertion, flexible packet length, and automatic CRC calculation

Low-Power Features

- 200 nA sleep mode current consumption
- Fast start-up time; 240 μ s from sleep to TX mode
- 64-byte TX FIFO

General

- Few external components; Fully integrated frequency synthesizer
- Green package: RoHS compliant and no antimony or bromine
- Small size (QLP 4x4 mm package, 20 pins)
- Suited for systems targeting compliance with EN 300 220 V2.3.1 (Europe) and FCC CFR Part 15 (US)
- Support for asynchronous and synchronous serial transmit mode for backwards compatibility with existing radio communication protocols.

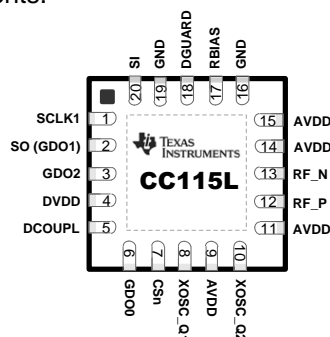
Product Description

The **CC115L** is a cost optimized sub-1 GHz RF transmitter. The circuit is based on the popular **CC1101** RF transceiver, and RF performance characteristics are identical. The **CC115L** value line transmitter together with the **CC113L** value line receiver enables a low cost RF link.

The RF transmitter is integrated with a highly configurable baseband modulator. The modem supports various modulation formats and has a configurable data rates from 0.6 to 600 kbps.

CC115L provides extensive hardware support for packet handling, data buffering and burst transmissions.

The main operating parameters and the 64-byte transmit FIFO of **CC115L** can be controlled via an SPI interface. In a typical system, the **CC115L** will be used together with a microcontroller and a few additional passive components.



This product shall not be used in any of the following products or systems without prior express written permission from Texas Instruments:

implantable cardiac rhythm management systems, including without limitation pacemakers, defibrillators and cardiac resynchronization devices, external cardiac rhythm management systems that communicate directly with one or more implantable medical devices; or other devices used to monitor or treat cardiac function, including without limitation pressure sensors, biochemical sensors and neurostimulators. Please contact lpw-medical-approval@list.ti.com if your application might fall within the category described above.

Abbreviations

Abbreviations used in this data sheet are described below.

| | | | |
|-------|--|------|-------------------------------|
| 2-FSK | Binary Frequency Shift Keying | MCU | Microcontroller Unit |
| 4-FSK | Quaternary Frequency Shift Keying | MSB | Most Significant Bit |
| ADC | Analog to Digital Converter | N/A | Not Applicable |
| AMR | Automatic Meter Reading | NRZ | Non Return to Zero (Coding) |
| BOM | Bill of Material | OOK | On-Off Keying |
| BT | Bandwidth-Time product | PA | Power Amplifier |
| CFR | Code of Federal Regulations | PCB | Printed Circuit Board |
| CRC | Cyclic Redundancy Check | PD | Power Down |
| CW | Continuous Wave (Unmodulated Carrier) | PER | Packet Error Rate |
| DC | Direct Current | PLL | Phase Locked Loop |
| ESR | Equivalent Series Resistance | POR | Power-On Reset |
| FCC | Federal Communications Commission | QLP | Quad Leadless Package |
| FIFO | First-In-First-Out | QPSK | Quadrature Phase Shift Keying |
| FS | Frequency Synthesizer | RC | Resistor-Capacitor |
| GFSK | Gaussian shaped Frequency Shift Keying | RF | Radio Frequency |
| IF | Intermediate Frequency | SPI | Serial Peripheral Interface |
| I/Q | In-Phase/Quadrature | SRD | Short Range Devices |
| ISM | Industrial, Scientific, Medical | TX | Transmit, Transmit Mode |
| LC | Inductor-Capacitor | VCO | Voltage Controlled Oscillator |
| LO | Local Oscillator | XOSC | Crystal Oscillator |
| LSB | Least Significant Bit | XTAL | Crystal |

Table Of Contents

| | |
|---|-----------|
| APPLICATIONS | 1 |
| KEY FEATURES | 1 |
| RF PERFORMANCE | 1 |
| DIGITAL FEATURES | 1 |
| LOW-POWER FEATURES | 1 |
| GENERAL | 1 |
| PRODUCT DESCRIPTION | 1 |
| ABBREVIATIONS | 2 |
| TABLE OF CONTENTS | 3 |
| 1 ABSOLUTE MAXIMUM RATINGS | 5 |
| 2 OPERATING CONDITIONS | 5 |
| 3 GENERAL CHARACTERISTICS | 5 |
| 4 ELECTRICAL SPECIFICATIONS | 6 |
| 4.1 CURRENT CONSUMPTION | 6 |
| 4.2 RF TRANSMIT SECTION | 7 |
| 4.3 CRYSTAL OSCILLATOR | 9 |
| 4.4 FREQUENCY SYNTHESIZER CHARACTERISTICS | 9 |
| 4.5 DC CHARACTERISTICS | 10 |
| 4.6 POWER-ON RESET | 10 |
| 5 PIN CONFIGURATION | 10 |
| 6 CIRCUIT DESCRIPTION | 12 |
| 7 APPLICATION CIRCUIT | 12 |
| 7.1 BIAS RESISTOR | 12 |
| 7.2 BALUN AND RF MATCHING..... | 13 |
| 7.3 CRYSTAL | 14 |
| 7.4 REFERENCE SIGNAL | 15 |
| 7.5 ADDITIONAL FILTERING | 15 |
| 7.6 POWER SUPPLY DECOUPLING..... | 15 |
| 7.7 PCB LAYOUT RECOMMENDATIONS..... | 15 |
| 8 CONFIGURATION OVERVIEW | 17 |
| 9 CONFIGURATION SOFTWARE | 18 |
| 10 4-WIRE SERIAL CONFIGURATION AND DATA INTERFACE | 18 |
| 10.1 CHIP STATUS BYTE | 19 |
| 10.2 REGISTER ACCESS | 20 |
| 10.3 SPI READ | 20 |
| 10.4 COMMAND STROBES | 21 |
| 10.5 TX FIFO ACCESS | 21 |
| 10.6 PATABLE ACCESS..... | 21 |
| 11 MICROCONTROLLER INTERFACE AND PIN CONFIGURATION | 22 |
| 11.1 CONFIGURATION INTERFACE..... | 22 |
| 11.2 GENERAL CONTROL AND STATUS PINS | 22 |
| 12 DATA RATE PROGRAMMING | 23 |
| 13 PACKET HANDLING HARDWARE SUPPORT | 24 |
| 13.1 PACKET FORMAT | 24 |
| 13.2 PACKET HANDLING | 25 |
| 13.3 PACKET HANDLING IN FIRMWARE..... | 26 |
| 14 MODULATION FORMATS | 26 |
| 14.1 FREQUENCY SHIFT KEYING | 26 |
| 14.2 AMPLITUDE MODULATION | 27 |
| 15 RADIO CONTROL | 27 |
| 15.1 POWER-ON START-UP SEQUENCE..... | 28 |
| 15.2 CRYSTAL CONTROL..... | 29 |

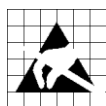
| | | |
|-----------|--|-----------|
| 15.3 | VOLTAGE REGULATOR CONTROL..... | 29 |
| 15.4 | TRANSMIT MODE (TX)..... | 29 |
| 15.5 | TIMING | 30 |
| 16 | TX FIFO | 31 |
| 17 | FREQUENCY PROGRAMMING..... | 31 |
| 18 | VCO | 32 |
| 18.1 | VCO AND PLL SELF-CALIBRATION | 32 |
| 19 | VOLTAGE REGULATORS | 32 |
| 20 | OUTPUT POWER PROGRAMMING | 33 |
| 21 | GENERAL PURPOSE / TEST OUTPUT CONTROL PINS | 34 |
| 22 | ASYNCHRONOUS AND SYNCHRONOUS SERIAL OPERATION | 36 |
| 22.1 | ASYNCHRONOUS SERIAL OPERATION..... | 36 |
| 22.2 | SYNCHRONOUS SERIAL OPERATION | 36 |
| 23 | SYSTEM CONSIDERATIONS AND GUIDELINES | 36 |
| 23.1 | SRD REGULATIONS..... | 36 |
| 23.2 | CALIBRATION IN MULTI-CHANNEL SYSTEMS..... | 37 |
| 23.3 | WIDEBAND MODULATION WHEN NOT USING SPREAD SPECTRUM..... | 37 |
| 23.4 | DATA BURST TRANSMISSIONS..... | 37 |
| 23.5 | CONTINUOUS TRANSMISSIONS | 38 |
| 23.6 | INCREASING OUTPUT POWER | 38 |
| 24 | CONFIGURATION REGISTERS..... | 38 |
| 24.1 | CONFIGURATION REGISTER DETAILS - REGISTERS WITH PRESERVED VALUES IN SLEEP STATE | 42 |
| 24.2 | CONFIGURATION REGISTER DETAILS - REGISTERS THAT LOOSE PROGRAMMING IN SLEEP STATE | 50 |
| 24.3 | STATUS REGISTER DETAILS..... | 50 |
| 25 | DEVELOPMENT KIT ORDERING INFORMATION | 52 |
| 26 | REFERENCES | 53 |
| 27 | GENERAL INFORMATION..... | 54 |
| 27.1 | DOCUMENT HISTORY | 54 |

1 Absolute Maximum Ratings

Under no circumstances must the absolute maximum ratings given in Table 1 be violated. Stress exceeding one or more of the limiting values may cause permanent damage to the device.

| Parameter | Min | Max | Units | Condition |
|---|------|-----------------------|-------|--|
| Supply voltage | -0.3 | 3.9 | V | All supply pins must have the same voltage |
| Voltage on any digital pin | -0.3 | VDD + 0.3, max 3.9 | V | |
| Voltage on the pins RF_P, RF_N, DCOUP_L, RBIAS | -0.3 | 2.0 | V | |
| Voltage ramp-up rate | | 120 | kV/μs | |
| Input RF level | | +10 | dBm | |
| Storage temperature range | -50 | 150 | °C | |
| Solder reflow temperature | | 260 | °C | According to IPC/JEDEC J-STD-020 |
| ESD | | 750 | V | According to JEDEC STD 22, method A114, Human Body Model (HBM) |
| ESD | | 400 | V | According to JEDEC STD 22, C101C, Charged Device Model (CDM) |

Table 1: Absolute Maximum Ratings



Caution! ESD sensitive device. Precaution should be used when handling the device in order to prevent permanent damage.

2 Operating Conditions

The operating conditions for **CC115L** are listed Table 2 in below.

| Parameter | Min | Max | Unit | Condition |
|--------------------------|-----|-----|------|--|
| Operating temperature | -40 | 85 | °C | |
| Operating supply voltage | 1.8 | 3.6 | V | All supply pins must have the same voltage |

Table 2: Operating Conditions

3 General Characteristics

| Parameter | Min | Max | Unit | Condition/Note |
|-----------------|-----|-----|-------|--|
| Frequency range | 300 | 348 | MHz | |
| | 387 | 464 | MHz | If using a 27 MHz crystal, the lower frequency limit for this band is 392 MHz |
| | 779 | 928 | MHz | |
| Data rate | 0.6 | 500 | kBaud | 2-FSK |
| | 0.6 | 250 | kBaud | GFSK and OOK |
| | 0.6 | 300 | kBaud | 4-FSK (the data rate in kbps will be twice the baud rate) Optional Manchester encoding (the data rate in kbps will be half the baud rate) |

Table 3: General Characteristics

4 Electrical Specifications

4.1 Current Consumption

T_A = 25°C, VDD = 3.0 V if nothing else stated. All measurement results are obtained using [1] and [2].

| Parameter | Min | Typ | Max | Unit | Condition |
|---|-----|------|-----|------|---|
| Current consumption in power down modes | | 0.2 | 1 | μA | Voltage regulator to digital part off, register values retained (SLEEP state). All GDO pins programmed to 0x2F (HW to 0) |
| | | 100 | | μA | Voltage regulator to digital part off, register values retained, XOSC running (SLEEP state with MCSM0.OSC_FORCE_ON set) |
| | | 165 | | μA | Voltage regulator to digital part on, all other modules in power down (XOFF state) |
| Current consumption | | 1.7 | | mA | Only voltage regulator to digital part and crystal oscillator running (IDLE state) |
| | | 8.4 | | mA | Only the frequency synthesizer is running (FSTXON state). This current consumption is also representative for the other intermediate states when going from IDLE to TX, including the calibration state |
| Current consumption, 315 MHz | | 27.4 | | mA | Transmit mode, +10 dBm output power |
| | | 15.0 | | mA | Transmit mode, 0 dBm output power |
| | | 12.3 | | mA | Transmit mode, -6 dBm output power |
| Current consumption, 433 MHz | | 29.2 | | mA | Transmit mode, +10 dBm output power |
| | | 16.0 | | mA | Transmit mode, 0 dBm output power |
| | | 13.1 | | mA | Transmit mode, -6 dBm output power |
| Current consumption, 868/915 MHz | | 34.2 | | mA | Transmit mode, +12 dBm output power, 868 MHz |
| | | 30.0 | | mA | Transmit mode, +10 dBm output power, 868 MHz |
| | | 16.8 | | mA | Transmit mode, 0 dBm output power, 868 MHz |
| | | 16.4 | | mA | Transmit mode, -6 dBm output power, 868 MHz. |
| | | 33.4 | | mA | Transmit mode, +11 dBm output power, 915 MHz |
| | | 30.7 | | mA | Transmit mode, +10 dBm output power, 915 MHz |
| | | 17.2 | | mA | Transmit mode, 0 dBm output power, 915 MHz |
| | | 17.0 | | mA | Transmit mode, -6 dBm output power, 915 MHz |

Table 4: Current Consumption

| Temperature [°C] | Supply Voltage VDD = 1.8 V | | | Supply Voltage VDD = 3.0 V | | | Supply Voltage VDD = 3.6 V | | |
|-------------------------------------|----------------------------|------|------|----------------------------|------|------|----------------------------|------|------|
| | -40 | 25 | 85 | -40 | 25 | 85 | -40 | 25 | 85 |
| Current [mA], PATABLE=0xC0, +12 dBm | 32.7 | 31.5 | 30.5 | 35.3 | 34.2 | 33.3 | 35.5 | 34.4 | 33.5 |
| Current [mA], PATABLE=0xC5, +10 dBm | 30.1 | 29.2 | 28.3 | 30.9 | 30.0 | 29.4 | 31.1 | 30.3 | 29.6 |
| Current [mA], PATABLE=0x50, 0 dBm | 16.4 | 16.0 | 15.6 | 17.3 | 16.8 | 16.4 | 17.6 | 17.1 | 16.7 |

Table 5: Typical TX Current Consumption over Temperature and Supply Voltage, 868 MHz

| | Supply Voltage VDD = 1.8 V | | | Supply Voltage VDD = 3.0 V | | | Supply Voltage VDD = 3.6 V | | |
|-------------------------------------|-------------------------------|------|------|-------------------------------|------|------|-------------------------------|------|------|
| Temperature [°C] | -40 | 25 | 85 | -40 | 25 | 85 | -40 | 25 | 85 |
| Current [mA], PATABLE=0xC0, +11 dBm | 31.9 | 30.7 | 29.8 | 34.6 | 33.4 | 32.5 | 34.8 | 33.6 | 32.7 |
| Current [mA], PATABLE=0xC3, +10 dBm | 30.9 | 29.8 | 28.9 | 31.7 | 30.7 | 30.0 | 31.9 | 31.0 | 30.2 |
| Current [mA], PATABLE=0x8E, 0 dBm | 17.2 | 16.8 | 16.4 | 17.6 | 17.2 | 16.9 | 17.8 | 17.4 | 17.1 |

Table 6: Typical TX Current Consumption over Temperature and Supply Voltage, 915 MHz

4.2 RF Transmit Section

T_A = 25°C, VDD = 3.0 V, +10 dBm if nothing else stated. All measurement results are obtained using [1] and [2].

| Parameter | Min | Typ | Max | Unit | Condition/Note |
|-------------------------------|-----|----------------|-----|------------|--|
| Differential load impedance | | | | | Differential impedance as seen from the RF-port (RF_P and RF_N) towards the antenna. |
| 315 MHz | | 122 + j31 | | Ω | |
| 433 MHz | | 116 + j41 | | Ω | |
| 868/915 MHz | | 86.5 + j43 | | Ω | |
| Output power, highest setting | | | | | Output power is programmable, and full range is available in all frequency bands. Output power may be restricted by regulatory limits. See also Design Note DN013 [7], which gives the output power and harmonics when using <i>multi-layer</i> inductors. The output power is then typically +10 dBm when operating at 868/915 MHz. |
| 315 MHz | | +10 | | dBm | |
| 433 MHz | | +10 | | dBm | |
| 868 MHz | | +12 | | dBm | |
| 915 MHz | | +11 | | dBm | Delivered to a 50 Ω single-ended load via the RF matching network in [1] and [2] |
| Output power, lowest setting | | -30 | | dBm | Output power is programmable, and full range is available in all frequency bands Delivered to a 50 Ω single-ended load via the RF matching network in [1] and [2] |
| Harmonics, radiated | | | | | Measured on [1] and [2] with CW, maximum output power The antennas used during the radiated measurements (SMAFF-433 from R.W. Badland and Nearson S331 868/915) play a part in attenuating the harmonics |
| 2 nd Harm, 433 MHz | | -49 | | dBm | |
| 3 rd Harm, 433 MHz | | -40 | | dBm | |
| 2 nd Harm, 868 MHz | | -47 | | dBm | |
| 3 rd Harm, 868 MHz | | -55 | | dBm | |
| 2 nd Harm, 915 MHz | | -50 | | dBm | Note: All harmonics are below -41.2 dBm when operating in the 902 - 928 MHz band |
| 3 rd Harm, 915 MHz | | -54 | | dBm | |
| Harmonics, conducted | | | | | Measured with +10 dBm CW at 315 MHz and 433 MHz |
| 315 MHz | | < -35 < -53 | | dBm dBm | Frequencies below 960 MHz Frequencies above 960 MHz |
| 433 MHz | | -43 < -45 | | dBm dBm | Frequencies below 1 GHz Frequencies above 1 GHz |
| 868 MHz | | | | | |
| 2 nd Harm | | -36 | | dBm | Measured with +12 dBm CW at 868 MHz |
| other harmonics | | < -46 | | dBm | |
| 915 MHz | | | | | |
| 2 nd Harm | | -34 | | dBm | Measured with +11 dBm CW at 915 MHz (requirement is -20 dBc under FCC 15.247) |
| other harmonics | | < -50 | | dBm | |

| Parameter | Min | Typ | Max | Unit | Condition/Note |
|--|-----|-------------------------|-----|-------------------|---|
| Spurious emissions conducted, harmonics not included | | | | | |
| 315 MHz | | < -58 < -53 | | dBm dBm | Measured with +10 dBm CW at 315 MHz and 433 MHz Frequencies below 960 MHz Frequencies above 960 MHz |
| 433 MHz | | < -50 < -54 < -56 | | dBm dBm dBm | Frequencies below 1 GHz Frequencies above 1 GHz Frequencies within 47-74, 87.5-118, 174-230, 470-862 MHz |
| 868 MHz | | < -50 < -52 < -53 | | dBm dBm dBm | Measured with +12 dBm CW at 868 MHz Frequencies below 1 GHz Frequencies above 1 GHz Frequencies within 47-74, 87.5-118, 174-230, 470-862 MHz |
| 915 MHz | | < -51 < -54 | | dBm dBm | Measured with +11 dBm CW at 915 MHz Frequencies below 960 MHz Frequencies above 960 MHz |
| TX latency | | 8 | | bit | Serial operation. Time from sampling the data on the transmitter data input pin until it is observed on the RF output ports |

Table 7: RF Transmit Section

| | Supply Voltage VDD = 1.8 V | | | Supply Voltage VDD = 3.0 V | | | Supply Voltage VDD = 3.6 V | | |
|---|----------------------------|----|----|----------------------------|----|----|----------------------------|----|----|
| | -40 | 25 | 85 | -40 | 25 | 85 | -40 | 25 | 85 |
| Temperature [°C] | -40 | 25 | 85 | -40 | 25 | 85 | -40 | 25 | 85 |
| Output Power [dBm], P _{TABLE} =0xC0, +12 dBm | 12 | 11 | 10 | 12 | 12 | 11 | 12 | 12 | 11 |
| Output Power [dBm], P _{TABLE} =0xC5, +10 dBm | 11 | 10 | 9 | 11 | 10 | 10 | 11 | 10 | 10 |
| Output Power [dBm], P _{TABLE} =0x50, 0 dBm | 1 | 0 | -1 | 2 | 1 | 0 | 2 | 1 | 0 |

Table 8: Typical Variation in Output Power over Temperature and Supply Voltage, 868 MHz

| | Supply Voltage VDD = 1.8 V | | | Supply Voltage VDD = 3.0 V | | | Supply Voltage VDD = 3.6 V | | |
|---|----------------------------|----|----|----------------------------|----|----|----------------------------|----|----|
| | -40 | 25 | 85 | -40 | 25 | 85 | -40 | 25 | 85 |
| Temperature [°C] | -40 | 25 | 85 | -40 | 25 | 85 | -40 | 25 | 85 |
| Output Power [dBm], P _{TABLE} =0xC0, +11 dBm | 11 | 10 | 10 | 12 | 11 | 11 | 12 | 11 | 11 |
| Output Power [dBm], P _{TABLE} =0x8E, +0 dBm | 2 | 1 | 0 | 2 | 1 | 0 | 2 | 1 | 0 |

Table 9: Typical Variation in Output Power over Temperature and Supply Voltage, 915 MHz

4.3 Crystal Oscillator

T_A = 25°C, VDD = 3.0 V if nothing else is stated. All measurement results obtained using [1] and [2].

| Parameter | Min | Typ | Max | Unit | Condition/Note |
|-------------------|-----|-----|-----|------|---|
| Crystal frequency | 26 | 26 | 27 | MHz | For compliance with modulation bandwidth requirements under EN 300 220 V2.3.1 in the 863 to 870 MHz frequency range it is recommended to use a 26 MHz crystal for frequencies below 869 MHz and a 27 MHz crystal for frequencies above 869 MHz. |
| Tolerance | | ±40 | | ppm | This is the total tolerance including a) initial tolerance, b) crystal loading, c) aging, and d) temperature dependence. The acceptable crystal tolerance depends on RF frequency and channel spacing / bandwidth. |
| Load capacitance | 10 | 13 | 20 | pF | Simulated over operating conditions |
| ESR | | | 100 | Ω | |
| Start-up time | | 150 | | μs | This parameter is to a large degree crystal dependent. Measured on [1] and [2] using crystal AT-41CD2 from NDK |

Table 10: Crystal Oscillator Parameters

4.4 Frequency Synthesizer Characteristics

T_A = 25°C, VDD = 3.0 V if nothing else is stated. All measurement results are obtained using [1] and [2]. Min figures are given using a 27 MHz crystal. Typ. and max figures are given using a 26 MHz crystal.

| Parameter | Min | Typ | Max | Unit | Condition/Note |
|-------------------------------------|-----|--------------|-----|--------|---|
| Programmed frequency resolution | 397 | $F_{XOSC}/2$ | 412 | Hz | 26 - 27 MHz crystal. The resolution (in Hz) is equal for all frequency bands |
| Synthesizer frequency tolerance | | ±40 | | ppm | Given by crystal used. Required accuracy (including temperature and aging) depends on frequency band and channel bandwidth / spacing |
| RF carrier phase noise | | -92 | | dBc/Hz | @ 50 kHz offset from carrier |
| RF carrier phase noise | | -92 | | dBc/Hz | @ 100 kHz offset from carrier |
| RF carrier phase noise | | -92 | | dBc/Hz | @ 200 kHz offset from carrier |
| RF carrier phase noise | | -98 | | dBc/Hz | @ 500 kHz offset from carrier |
| RF carrier phase noise | | -107 | | dBc/Hz | @ 1 MHz offset from carrier |
| RF carrier phase noise | | -113 | | dBc/Hz | @ 2 MHz offset from carrier |
| RF carrier phase noise | | -119 | | dBc/Hz | @ 5 MHz offset from carrier |
| RF carrier phase noise | | -129 | | dBc/Hz | @ 10 MHz offset from carrier |
| PLL turn-on time (See Table 20) | 72 | 75 | 75 | μs | Time from leaving the IDLE state until arriving in the FSTXON or TX state, when not performing calibration. Crystal oscillator running. |
| PLL calibration time (See Table 21) | 685 | 712 | 724 | μs | Calibration can be initiated manually or automatically before entering or after leaving TX |

Table 11: Frequency Synthesizer Parameters

4.5 DC Characteristics

T_A = 25°C if nothing else stated.

| Digital Inputs/Outputs | Min | Max | Unit | Condition |
|--------------------------|-----------|-----|------|-------------------------------|
| Logic "0" input voltage | 0 | 0.7 | V | |
| Logic "1" input voltage | VDD – 0.7 | VDD | V | |
| Logic "0" output voltage | 0 | 0.5 | V | For up to 4 mA output current |
| Logic "1" output voltage | VDD – 0.3 | VDD | V | For up to 4 mA output current |
| Logic "0" input current | N/A | –50 | nA | Input equals 0 V |
| Logic "1" input current | N/A | 50 | nA | Input equals VDD |

Table 12: DC Characteristics

4.6 Power-On Reset

For proper Power-On-Reset functionality the power supply should comply with the requirements in Table 13 below. Otherwise, the chip should be assumed to have unknown state until transmitting an SRES strobe over the SPI interface. See Section 15.1 on page 28 for further details.

| Parameter | Min | Typ | Max | Unit | Condition/Note |
|-----------------------|-----|-----|-----|------|---|
| Power-up ramp-up time | | | 5 | ms | From 0 V until reaching 1.8 V |
| Power off time | 1 | | | ms | Minimum time between power-on and power-off |

Table 13: Power-On Reset Requirements

5 Pin Configuration

The **CC115L** pin-out is shown in Figure 1 and Table 14. See Section 21 for details on the I/O configuration.

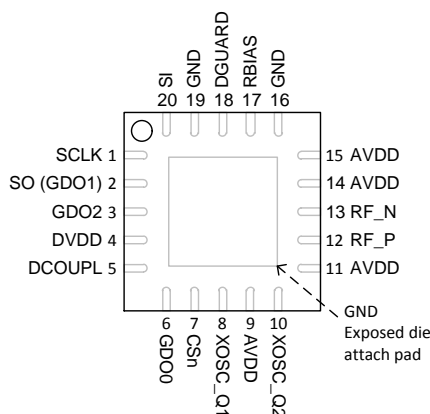


Figure 1: Pinout Top View

Note: The exposed die attach pad **must** be connected to a solid ground plane as this is the main ground connection for the chip

| Pin # | Pin Name | Pin type | Description |
|-------|-----------|------------------|--|
| 1 | SCLK | Digital Input | Serial configuration interface, clock input |
| 2 | SO (GDO1) | Digital Output | Serial configuration interface, data output Optional general output pin when CSn is high |
| 3 | GDO2 | Digital Output | Digital output pin for general use: <ul style="list-style-type: none"> • Test signals • TX FIFO status signals • Clock output, down-divided from XOSC |
| 4 | DVDD | Power (Digital) | 1.8 - 3.6 V digital power supply for digital I/O's and for the digital core voltage regulator |
| 5 | DCOUPPL | Power (Digital) | 1.6 - 2.0 V digital power supply output for decoupling NOTE: This pin is intended for use with the CC115L only. It cannot be used to provide supply voltage to other devices |
| 6 | GDO0 | Digital I/O | Digital output pin for general use: <ul style="list-style-type: none"> • Test signals • TX FIFO status signals • Clock output, down-divided from XOSC • Serial input TX data |
| 7 | CSn | Digital Input | Serial configuration interface, chip select |
| 8 | XOSC_Q1 | Analog I/O | Crystal oscillator pin 1, or external clock input |
| 9 | AVDD | Power (Analog) | 1.8 - 3.6 V analog power supply connection |
| 10 | XOSC_Q2 | Analog I/O | Crystal oscillator pin 2 |
| 11 | AVDD | Power (Analog) | 1.8 - 3.6 V analog power supply connection |
| 12 | RF_P | RF I/O | Positive RF output signal from PA in transmit mode |
| 13 | RF_N | RF I/O | Negative RF output signal from PA in transmit mode |
| 14 | AVDD | Power (Analog) | 1.8 - 3.6 V analog power supply connection |
| 15 | AVDD | Power (Analog) | 1.8 - 3.6 V analog power supply connection |
| 16 | GND | Ground (Analog) | Analog ground connection |
| 17 | RBIAS | Analog I/O | External bias resistor for reference current |
| 18 | DGUARD | Power (Digital) | Power supply connection for digital noise isolation |
| 19 | GND | Ground (Digital) | Ground connection for digital noise isolation |
| 20 | SI | Digital Input | Serial configuration interface, data input |

Table 14: Pinout Overview

6 Circuit Description

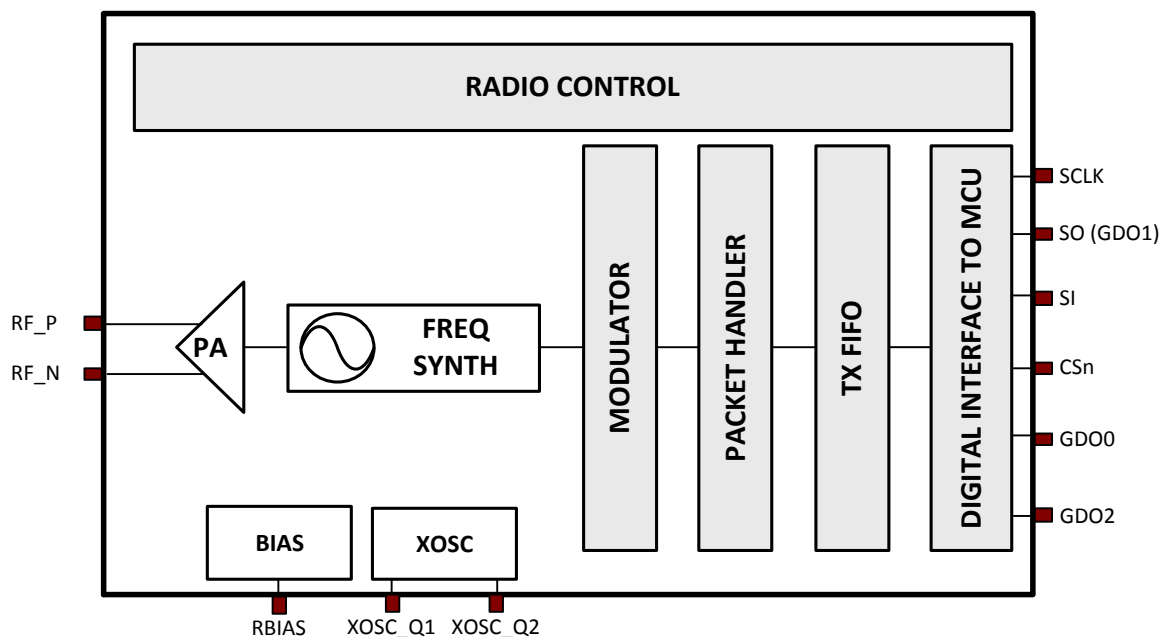


Figure 2: **CC115L** Simplified Block Diagram

A simplified block diagram of **CC115L** is shown in Figure 2.

The **CC115L** transmitter is based on direct synthesis of the RF frequency. The frequency synthesizer includes a completely on-chip LC VCO.

A crystal is to be connected to XOSC_Q1 and XOSC_Q2. The crystal oscillator generates the

reference frequency for the synthesizer, as well as clocks for the digital part.

A 4-wire SPI serial interface is used for configuration and data buffer access.

The digital baseband includes support for channel configuration, packet handling, and data buffering.

7 Application Circuit

The low cost application circuits ([10] and [11]), which use multi layer inductors, are shown in Figure 3 and Figure 4 (see Table 15 for component values).

The designs in [1] and [2] were used for **CC115L** characterization. The 315 MHz and 433 MHz design [1] use inexpensive multi-layer inductors similar to the low cost application circuit while the 868 MHz and 915 MHz design [2] use wire-wound inductors. Wire-wound inductors give better output power and

attenuation of harmonics compared to using multi-layer inductors.

Refer to design note DN032 [9] for information about performance when using wire-wound inductors from different vendors. See also Design Note DN013 [7], which gives the output power and harmonics when using *multi-layer* inductors. The output power is then typically +10 dBm when operating at 868/915 MHz.

7.1 Bias Resistor

The 56 kΩ bias resistor R171 is used to set an

accurate bias current.

7.2 Balun and RF Matching

The balun and LC filter component values and their placement are important to keep the performance optimized. Gerber files and schematics for the reference designs are available for download from the TI website

The components between the RF_N/RF_P pins and the point where the two signals are joined together (C131, C122, L122, and L132 in Figure 3 and L121, L131, C121, L122, C131, C122, and L132 in Figure 4) form a balun that converts the differential RF signal on **CC115L** to a single-ended RF signal. C124 is needed for DC blocking.

L123, L124, and C123 (plus C125 in Figure 3) form a low-pass filter for harmonics attenuation.

The balun and LC filter components also matches the **CC115L** input impedance to a 50 Ω load. C126 provides DC blocking and is only needed if there is a DC path in the antenna. For the application circuit in Figure 4, this component may also be used for additional filtering, see section 7.5.

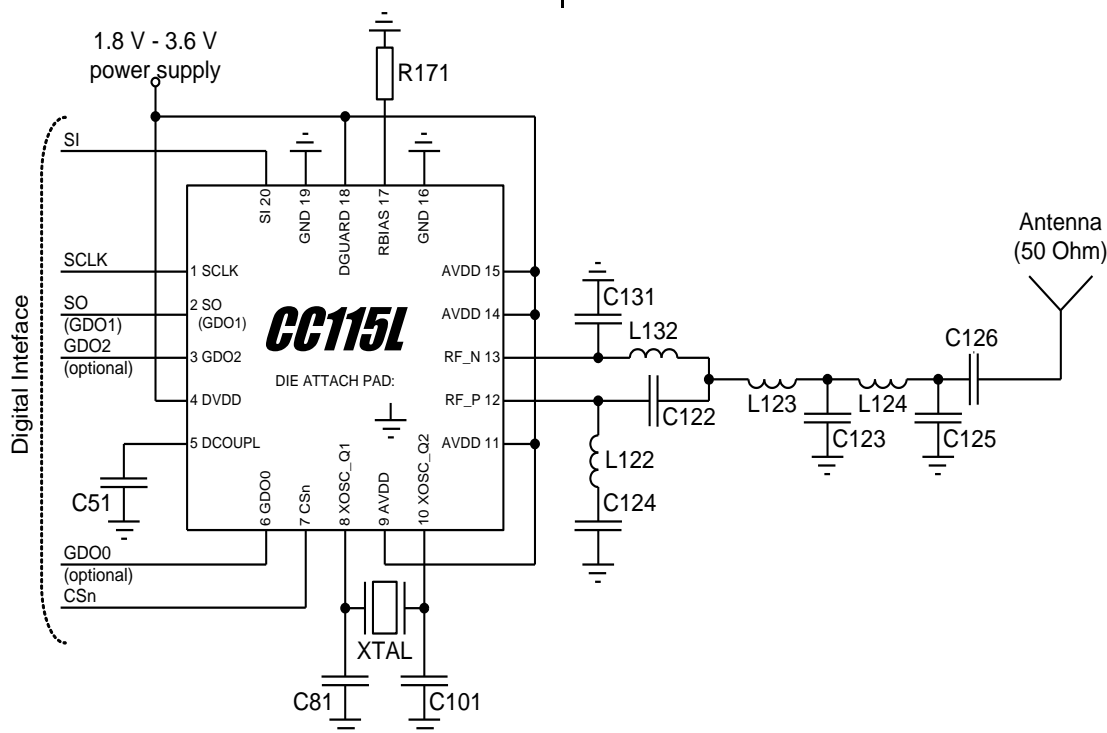


Figure 3: Typical Application and Evaluation Circuit 315/433 MHz (excluding supply decoupling capacitors)

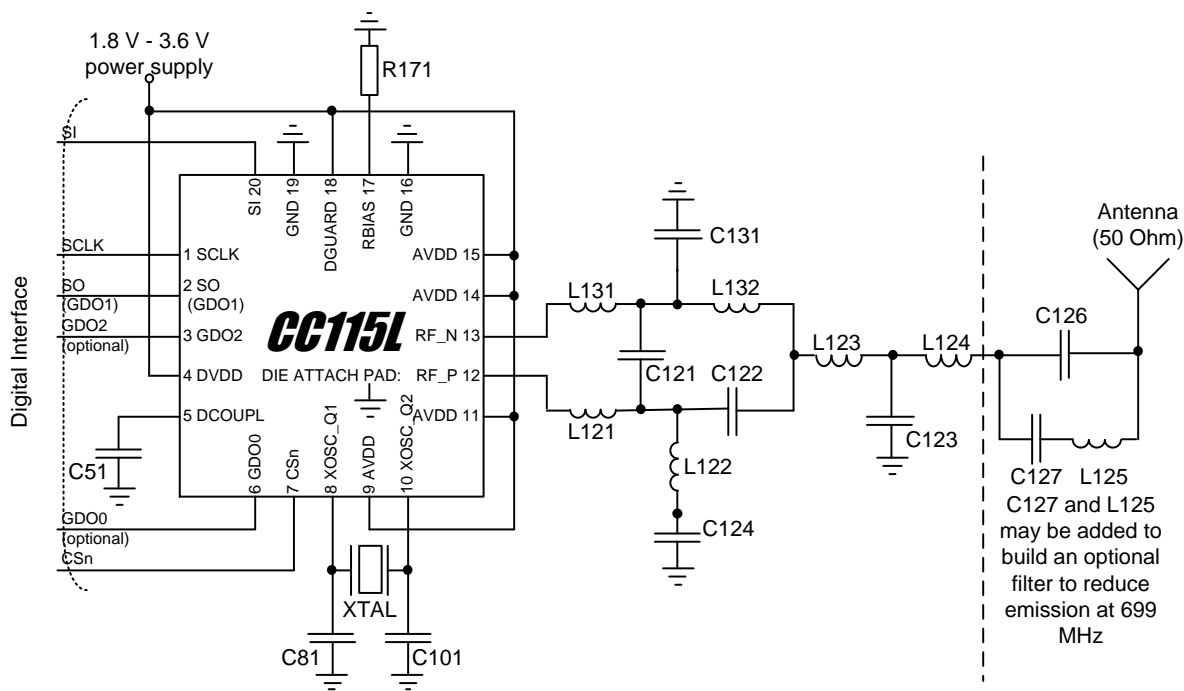


Figure 4: Typical Application and Evaluation Circuit 868/915 MHz (excluding supply decoupling capacitors)

| Component | Value at 315 MHz | Value at 433 MHz | Value at 868/915 MHz | |
|-----------|------------------|------------------|-----------------------|--------------------|
| | | | Without C127 and L125 | With C127 and L125 |
| C121 | | | 1 pF | 1 pF |
| C122 | 6.8 pF | 3.9 pF | 1.5 pF | 1.5 pF |
| C123 | 12 pF | 8.2 pF | 3.3 pF | 3.3 pF |
| C124 | 220 pF | 220 pF | 100 pF | 100 pF |
| C125 | 6.8 pF | 5.6 pF | | |
| C126 | 220 pF | 220 pF | 100 pF | 12 pF |
| C127 | | | | 47 pF |
| C131 | 6.8 pF | 3.9 pF | 1.5 pF | 1.5 pF |
| L121 | | | 12 nH | 12 nH |
| L122 | 33 nH | 27 nH | 18 nH | 18 nH |
| L123 | 18 nH | 22 nH | 12 nH | 12 nH |
| L124 | 33 nH | 27 nH | 12 nH | 12 nH |
| L125 | | | | 3.3 nH |
| L131 | | | 12 nH | 12 nH |
| L132 | 33 nH | 27 nH | 18 nH | 18 nH |

Table 15: External Components

7.3 Crystal

A crystal in the frequency range 26 - 27 MHz must be connected between the XOSC_Q1 and XOSC_Q2 pins. The oscillator is designed for parallel mode operation of the crystal. In addition, loading capacitors (C81 and C101)

for the crystal are required. The loading capacitor values depend on the total load capacitance, C_L , specified for the crystal. The total load capacitance seen between the

crystal terminals should equal C_L for the crystal to oscillate at the specified frequency.

$$C_L = \frac{1}{\frac{1}{C_{81}} + \frac{1}{C_{101}}} + C_{\text{parasitic}}$$

The parasitic capacitance is constituted by pin input capacitance and PCB stray capacitance. Total parasitic capacitance is typically 2.5 pF.

The crystal oscillator is amplitude regulated. This means that a high current is used to start up the oscillations. When the amplitude builds up, the current is reduced to what is necessary to maintain approximately 0.4 V_{pp} signal swing. This ensures a fast start-up, and keeps the drive level to a minimum. The ESR of the crystal should be within the specification in

7.4 Reference Signal

The chip can alternatively be operated with a reference signal from 26 to 27 MHz instead of a crystal. This input clock can either be a full-swing digital signal (0 V to VDD) or a sine wave of maximum 1 V peak-peak amplitude. The reference signal must be connected to the XOSC_Q1 input. The sine wave must be

7.5 Additional Filtering

In the 868/915 MHz reference design [10], C127 and L125 together with C126 build an optional filter to reduce emission at carrier frequency - 169 MHz. This filter is necessary for applications with an external antenna connector that seek compliance with ETSI EN 300 220 V2.3.1. For more information, see DN017 [5].

7.6 Power Supply Decoupling

The power supply must be properly decoupled close to the supply pins. Note that decoupling capacitors are not shown in the application circuit. The placement and the size of the

7.7 PCB Layout Recommendations

The top layer should be used for signal routing, and the open areas should be filled with metallization connected to ground using several vias.

The area under the chip is used for grounding and shall be connected to the bottom ground plane with several vias for good thermal performance and sufficiently low inductance to ground.

order to ensure a reliable start-up (see Section 4.3 on page 9).

The initial tolerance, temperature drift, aging and load pulling should be carefully specified in order to meet the required frequency accuracy in a certain application.

Avoid routing digital signals with sharp edges close to XOSC_Q1 PCB track or underneath the crystal Q1 pad as this may shift the crystal dc operating point and result in duty cycle variation.

For compliance with modulation bandwidth requirements under EN 300 220 V2.3.1 in the 863 to 870 MHz frequency range it is recommended to use a 26 MHz crystal for frequencies below 869 MHz and a 27 MHz crystal for frequencies above 869 MHz.

connected to XOSC_Q1 using a serial capacitor. When using a full-swing digital signal, this capacitor can be omitted. The XOSC_Q2 line must be left un-connected. C81 and C101 can be omitted when using a reference signal.

If this filtering is not necessary, C126 will work as a DC block (only necessary if there is a DC path in the antenna). C127 and L125 should in that case be left unmounted.

Additional external components (e.g. an RF SAW filter) may be used in order to improve the performance in specific applications.

decoupling capacitors are very important to achieve the optimum performance ([10] and [11] should be followed closely).

In [10] and [11] and [2], 5 vias are placed inside the exposed die attached pad. These vias should be “tented” (covered with solder mask) on the component side of the PCB to avoid migration of solder through the vias during the solder reflow process.

The solder paste coverage should not be 100%. If it is, out gassing may occur during the reflow process, which may cause defects (splattering, solder balling). Using “tented” vias reduces the solder paste coverage below

100%. See Figure 5 for top solder resist and top paste masks.

Each decoupling capacitor should be placed as close as possible to the supply pin it is supposed to decouple. Each decoupling capacitor should be connected to the power line (or power plane) by separate vias. The best routing is from the power line (or power plane) to the decoupling capacitor and then to the **CC115L** supply pin. Supply power filtering is very important.

Each decoupling capacitor ground pad should be connected to the ground plane by separate vias. Direct connections between neighboring power pins will increase noise coupling and should be avoided unless absolutely necessary. Routing in the ground plane underneath the chip or the balun/RF matching circuit, or between the chip's ground vias and the decoupling capacitor's ground vias should be avoided. This improves the grounding and ensures the shortest possible current return path.

Avoid routing digital signals with sharp edges close to XOSC_Q1 PCB track or underneath the crystal Q1 pad as this may shift the crystal dc operating point and result in duty cycle variation.

The external components should ideally be as small as possible (0402 is recommended) and surface mount devices are highly recommended. Please note that components with different sizes than those specified may have differing characteristics.

Precaution should be used when placing the microcontroller in order to avoid noise interfering with the RF circuitry.

A CC11xL Development Kit with a fully assembled **CC115L** Evaluation Module is available. It is strongly advised that this reference layout is followed very closely in order to get the best performance. The schematic, BOM and layout Gerber files are all available from the TI website ([10] and [11]).

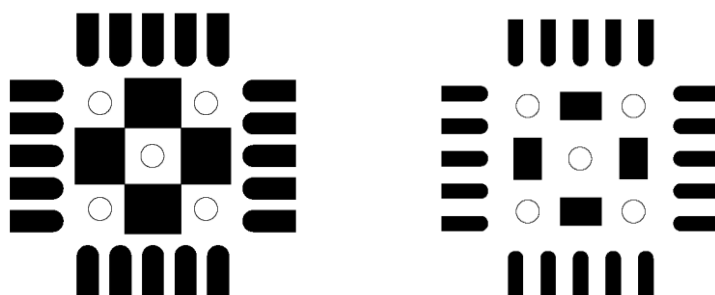


Figure 5: Left: Top Solder Resist Mask (Negative). Right: Top Paste Mask. Circles are Vias

8 Configuration Overview

CC115L can be configured to achieve optimum performance for many different applications. Configuration is done using the SPI interface. See Section 10 for more description of the SPI interface. The following key parameters can be programmed:

- Power-down / power up mode
- Crystal oscillator power-up / power-down
- Carrier frequency / RF channel
- Transmit mode
- Data rate
- Modulation format

- RF output power
- Data buffering with the 64-byte TX FIFO
- Packet radio hardware support

Details of each configuration register can be found in Section 24, starting on page 38.

Figure 6 shows a simplified state diagram that explains the main **CC115L** states together with typical usage and current consumption. For detailed information on controlling the **CC115L** state machine, and a complete state diagram, see Section 15, starting on page 28.

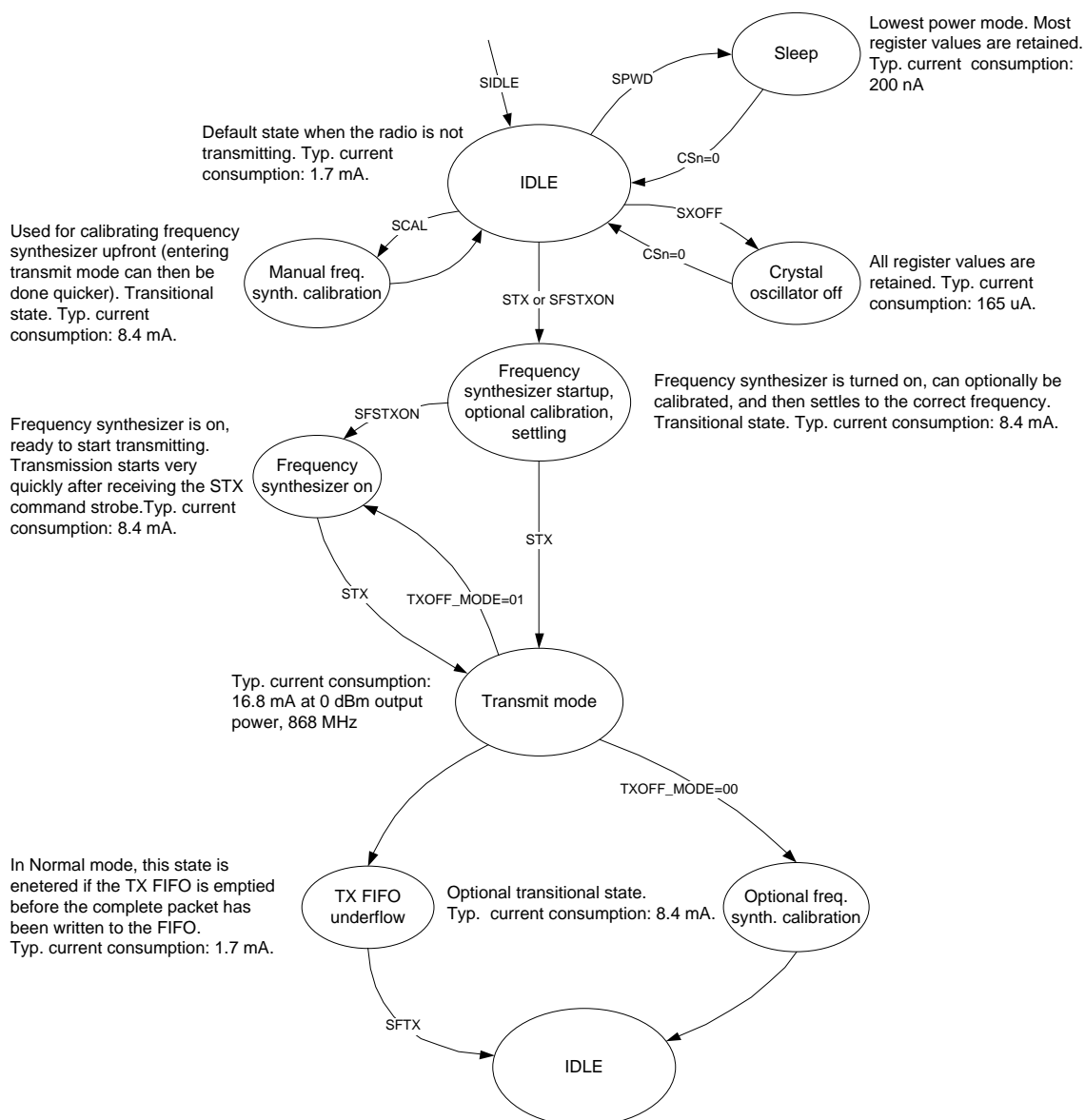


Figure 6: Simplified Radio Control State Diagram with Typical Current Consumption

9 Configuration Software

CC115L can be configured using the SmartRF™ Studio software [4]. The SmartRF Studio software is highly recommended for obtaining optimum register settings, and for evaluating performance and functionality.

After chip reset, all the registers have default values as shown in the tables in Section 24.1. The optimum register setting might differ from the default value. After a reset all registers that shall be different from the default value therefore needs to be programmed through the SPI interface.

10 4-wire Serial Configuration and Data Interface

CC115L is configured via a simple 4-wire SPI-compatible interface (SI, SO, SCLK and CSn) where **CC115L** is the slave. This interface is also used to write buffered data. All transfers on the SPI interface are done most significant bit first.

All transactions on the SPI interface start with a header byte containing a R/W bit, a burst access bit (B), and a 6-bit address (A₅ - A₀).

The CSn pin must be kept low during transfers on the SPI bus. If CSn goes high during the transfer of a header byte or during read/write

from/to a register, the transfer will be cancelled. The timing for the address and data transfer on the SPI interface is shown in Figure 7 with reference to Table 16.

When CSn is pulled low, the MCU must wait until **CC115L** SO pin goes low before starting to transfer the header byte. This indicates that the crystal is running. Unless the chip was in the SLEEP or XOFF states, the SO pin will always go low immediately after pulling CSn low.

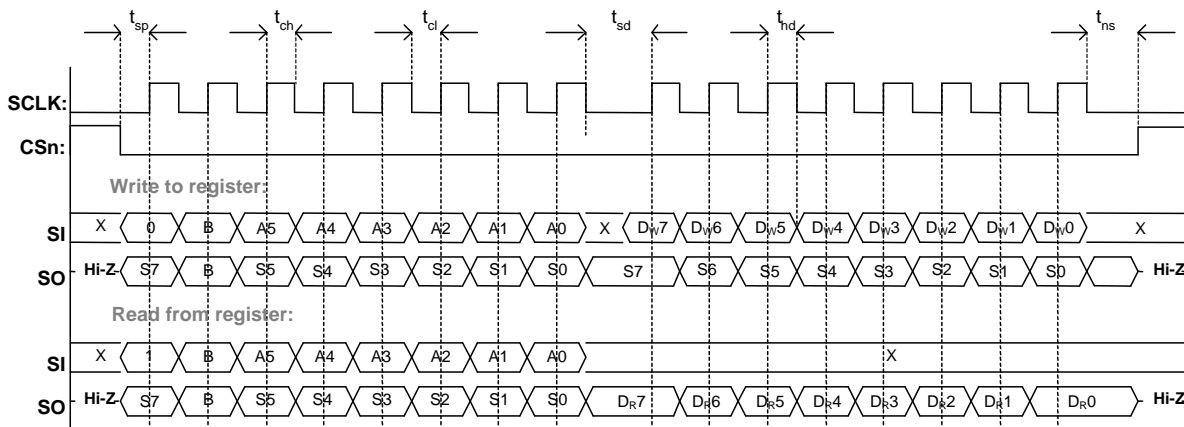


Figure 7: Configuration Registers Write and Read Operations

| Parameter | Description | Min | Max | Units | |
|--------------------|---|---------------|-----|-------|----|
| f _{SCLK} | SCLK frequency 100 ns delay inserted between address byte and data byte (single access), or between address and data, and between each data byte (burst access). | - | 10 | MHz | |
| | SCLK frequency, single access. No delay between address and data byte | - | 9 | | |
| | SCLK frequency, burst access No delay between address and data byte, or between data bytes | - | 6.5 | | |
| t _{sp,pd} | CSn low to positive edge on SCLK, in power-down mode | 150 | - | μs | |
| t _{sp} | CSn low to positive edge on SCLK, in active mode | 20 | - | ns | |
| t _{ch} | Clock high | 50 | - | ns | |
| t _{cl} | Clock low | 50 | - | ns | |
| t _{rise} | Clock rise time | - | 40 | ns | |
| t _{fall} | Clock fall time | - | 40 | ns | |
| t _{sd} | Setup data (negative SCLK edge) to positive edge on SCLK (t _{sd} applies between address and data bytes, and between data bytes) | Single access | 55 | - | ns |
| | | Burst access | 76 | - | |
| t _{hd} | Hold data after positive edge on SCLK | 20 | - | ns | |
| t _{ns} | Negative edge on SCLK to CSn high. | 20 | - | ns | |

Table 16: SPI Interface Timing Requirements

Note: The minimum t_{sp,pd} figure in Table 16 can be used in cases where the user does not read the CHIP_RDYn signal. CSn low to positive edge on SCLK when the chip is woken from power-down depends on the start-up time of the crystal being used. The 150 μs in Table 16 is the crystal oscillator start-up time measured on [1] and [2] using crystal AT-41CD2 from NDK.

10.1 Chip Status Byte

When the header byte, data byte, or command strobe is sent on the SPI interface, the chip status byte is sent by the **CC115L** on the SO pin. The status byte contains key status signals, useful for the MCU. The first bit, s7, is the CHIP_RDYn signal and this signal must go low before the first positive edge of SCLK. The CHIP_RDYn signal indicates that the crystal is running.

Bits 6, 5, and 4 comprise the STATE value. This value reflects the state of the chip. The XOSC and power to the digital core are on in the IDLE state, but all other modules are in power down. The frequency and channel

configuration should only be updated when the chip is in this state.

The last four bits (3:0) in the status byte contains FIFO_BYTES_AVAILABLE. For these bits to give any valid information, the R/W bit in the header byte must be set to 0. The FIFO_BYTES_AVAILABLE field will then contain the number of bytes that can be written to the TX FIFO. When FIFO_BYTES_AVAILABLE=15, 15 or more bytes can be written.

Table 17 gives a status byte summary

| Bits | Name | Description |
|---|---------------------------|--|
| 7 | CHIP_RDYn | Stays high until power and crystal have stabilized. Should always be low when using the SPI interface. |
| 6:4 | STATE[2:0] | Indicates the current main state machine mode |
| | | Value State Description |
| | | 000 IDLE IDLE state (Also reported for some transitional states instead of SETTLING or CALIBRATE) |
| | | 001 Reserved |
| | | 010 TX Transmit mode |
| | | 011 FSTXON Fast TX ready |
| | | 100 CALIBRATE Frequency synthesizer calibration is running |
| | | 101 SETTLING PLL is settling |
| | | 110 Reserved |
| 111 TXFIFO_UNDERFLOW TX FIFO has underflowed. Acknowledge with SFTX | | |
| 3:0 | FIFO_BYTES_AVAILABLE[3:0] | The number of bytes that can be written to the TX FIFO |

Table 17: Status Byte Summary

10.2 Register Access

The configuration registers on the **CC115L** are located on SPI addresses from 0x00 to 0x2E. Table 29 on page 40 lists all configuration registers. It is highly recommended to use SmartRF Studio [4] to generate optimum register settings. The detailed description of each register is found in Section 24.1 and 24.2, starting on page 42. All configuration registers can be both written to and read. The R/W bit controls if the register should be written to or read. When writing to registers, the status byte is sent on the SO pin each time a header byte or data byte is transmitted on the SI pin. When reading from registers, the status byte is sent on the SO pin each time a header byte is transmitted on the SI pin.

Registers with consecutive addresses can be accessed in an efficient way by setting the burst bit (B) in the header byte. The address bits (A₅ - A₀) set the start address in an internal address counter. This counter is incremented by one each new byte (every 8 clock pulses). The burst access is either a read or a write access and must be terminated by setting CSn high.

For register addresses in the range 0x30 - 0x3D, the burst bit is used to select between status registers when burst bit is one, and command strobcs when burst bit is zero. See more in Section 10.3 below. Because of this, burst access is not available for status registers and they must be accessed one at a time. The status registers can only be read.

10.3 SPI Read

When reading register fields over the SPI interface while the register fields are updated by the radio hardware (e.g. MARCSTATE or TXBYTES), there is a small, but finite, probability that a single read from the register

is being corrupt. As an example, the probability of any single read from TXBYTES being corrupt, assuming the maximum data rate is used, is approximately 80 ppm. Refer to the **CC115L** Errata Notes [3] for more details.

10.4 Command Strokes

Command Strokes may be viewed as single byte instructions to **CC115L**. By addressing a command strobe register, internal sequences will be started. These commands are used to disable the crystal oscillator, enable TX mode, enable calibration etc. The 9 command strokes are listed in Table 28 on page 39.

Note: An SIDLE strobe will clear all pending command strokes until IDLE state is reached. This means that if for example an SIDLE strobe is issued while the radio is in TX state, any other command strokes issued before the radio reaches IDLE state will be ignored.

The command strobe registers are accessed by transferring a single header byte (no data is

being transferred). That is, only the R/W bit, the burst access bit (set to 0), and the six address bits (in the range 0x30 through 0x3D) are written. The R/W bit should be set to zero if the `FIFO_BYTES_AVAILABLE` field in the status byte should be interpreted.

When writing command strokes, the status byte is sent on the SO pin.

A command strobe may be followed by any other SPI access without pulling CSn high. However, if an `SRES` strobe is being issued, one will have to wait for SO to go low again before the next header byte can be issued as shown in Figure 8. The command strokes are executed immediately, with the exception of the `SPWD` and the `SXOFF` strokes, which are executed when CSn goes high.

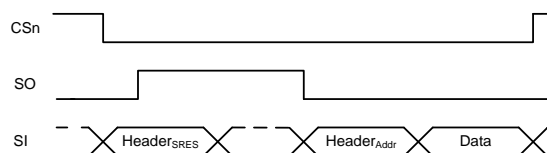


Figure 8: SRES Command Strobe

10.5 TX FIFO Access

The 64-byte TX FIFO is accessed through the 0x3F address. The TX FIFO is write-only and the R/W bit should therefore be zero.

The burst bit is used to determine if the TX FIFO access is a single byte access or a burst access. The single byte access method expects a header byte with the burst bit set to zero and one data byte. After the data byte, a new header byte is expected; hence CSn can remain low. The burst access method expects one header byte and then consecutive data bytes until terminating the access by setting CSn high.

The following header bytes access the TX FIFO:

- 0x3F: Single byte access to TX FIFO
- 0x7F: Burst access to TX FIFO

10.6 PATABLE Access

The 0x3E address is used to access the `PATABLE`, which is used for selecting PA power control settings. The SPI expects one or two data bytes after receiving the address (the burst bit must be set if two bytes are to be written). For OOK, two bytes should be written

When writing to the TX FIFO, the status byte (see Section 10.1) is output on SO for each new data byte as shown in Figure 7. This status byte can be used to detect TX FIFO underflow while writing data to the TX FIFO. Note that the status byte contains the number of bytes free before writing the byte in progress to the TX FIFO. When the last byte that fits in the TX FIFO is transmitted on SI, the status byte received concurrently on SO will indicate that one byte is free in the TX FIFO.

The TX FIFO may be flushed by issuing a `SFTX` command strobe. A `SFTX` command strobe can only be issued in the IDLE, or `TXFIFO_UNDERFLOW` states. The TX FIFO is flushed when going to the SLEEP state.

Figure 9 gives a brief overview of different register access types possible.

to `PATABLE`; the first byte after the address will set the logic 0 power level and the second byte written will set the logic 1 power level. For all other modulations formats, only one byte should be written to `PATABLE`. Use SmartRF

Studio [4] or DN013 [7] for recommended register values for a given output power.

The `PATABLE` can also be read by setting the R/W bit to 1. The read operation can be done as a single byte or burst access, depending on how many bytes should be read (one or two). Note that pulling CSn high will reset the index counter to zero, meaning that burst access needs to be used for reading/writing the second `PATABLE` entry. For the same reason,

if one byte is written to the `PATABLE` and this value is to be read out, CSn must be set high before the read access in order to set the index counter back to zero.

Note that the content of the `PATABLE` is lost when entering the SLEEP state, except for the first byte, meaning that if OOK is used, the `PATABLE` needs to be reprogrammed when waking up from SLEEP.

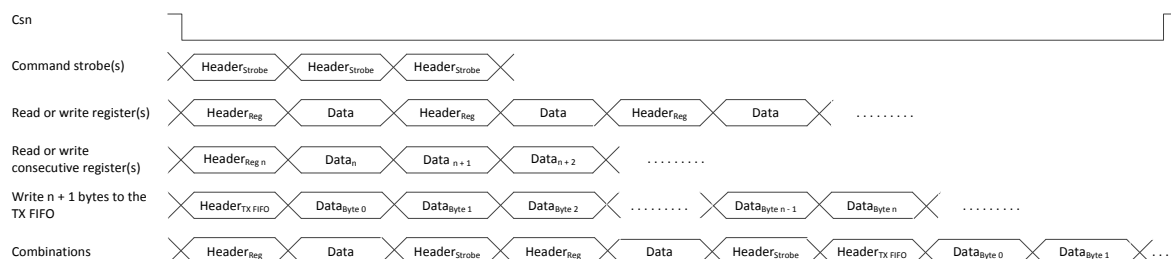


Figure 9: Register Access Types

11 Microcontroller Interface and Pin Configuration

In a typical system, **CC115L** will interface to a microcontroller. This microcontroller must be able to:

- Program **CC115L** into different modes

- Write buffered data
- Read back status information via the 4-wire SPI-bus configuration interface (SI, SO, SCLK and CSn)

11.1 Configuration Interface

The microcontroller uses four I/O pins for the SPI configuration interface (SI, SO, SCLK and

CSn). The SPI is described in Section 10 on page 18.

11.2 General Control and Status Pins

The **CC115L** has two dedicated configurable pins (GDO0 and GDO2) and one shared pin (GDO1) that can output internal status information useful for control software. These pins can be used to generate interrupts on the MCU. See Section 21 on page 34 for more details on the signals that can be programmed.

GDO1 is shared with the SO pin in the SPI interface. The default setting for GDO1/SO is 3-state output. By selecting any other of the programming options, the GDO1/SO pin will become a generic pin. When CSn is low, the pin will always function as a normal SO pin.

In the synchronous and asynchronous serial modes, the GDO0 pin is used as a serial TX data input pin while in transmit mode.

12 Data Rate Programming

The data rate used when transmitting is programmed by the `MDMCFG3.DRATE_M` and the `MDMCFG4.DRATE_E` configuration registers. The data rate is given by the formula below. As the formula shows, the programmed data rate depends on the crystal frequency.

$$R_{DATA} = \frac{(256 + DRATE_M) \cdot 2^{DRATE_E}}{2^{28}} \cdot f_{XOSC}$$

The following approach can be used to find suitable values for a given data rate:

$$DRATE_E = \log_2 \left(\frac{R_{DATA} \cdot 2^{20}}{f_{XOSC}} \right)$$

$$DRATE_M = \frac{R_{DATA} \cdot 2^{28}}{f_{XOSC} \cdot 2^{DRATE_E}} - 256$$

If `DRATE_M` is rounded to the nearest integer and becomes 256, increment `DRATE_E` and use `DRATE_M = 0`.

The data rate can be set from 0.6 kBaud to 500 kBaud with the minimum step size

according to Table 18 below. See Table 3 for the minimum and maximum data rates for the different modulation formats.

| Min Data Rate [kBaud] | Typical Data Rate [kBaud] | Max Data Rate [kBaud] | Data rate Step Size [kBaud] |
|-----------------------|---------------------------|-----------------------|-----------------------------|
| 0.6 | 1.0 | 0.79 | 0.0015 |
| 0.79 | 1.2 | 1.58 | 0.0031 |
| 1.59 | 2.4 | 3.17 | 0.0062 |
| 3.17 | 4.8 | 6.33 | 0.0124 |
| 6.35 | 9.6 | 12.7 | 0.0248 |
| 12.7 | 19.6 | 25.3 | 0.0496 |
| 25.4 | 38.4 | 50.7 | 0.0992 |
| 50.8 | 76.8 | 101.4 | 0.1984 |
| 101.6 | 153.6 | 202.8 | 0.3967 |
| 203.1 | 250 | 405.5 | 0.7935 |
| 406.3 | 500 | 500 | 1.5869 |

Table 18: Data Rate Step Size (assuming a 26 MHz crystal)

13 Packet Handling Hardware Support

The **CC115L** has built-in hardware support for packet oriented radio protocols.

The packet handler can be configured to add the following elements to the packet stored in the TX FIFO:

- A programmable number of preamble bytes
- A two byte synchronization (sync) word. Can be duplicated to give a 4-byte sync word. It is not possible to only insert preamble or only insert a sync word
- A CRC checksum computed over the data field.

- In a system where the **CC115L** is transmitting packets to the **CC110L**, **CC113L** or **CC1101**, the recommended setting is 4-byte preamble and 4-byte sync word, except for 500 kBaud data rate where the recommended preamble length is 8 bytes.

Note: Register fields that control the packet handling features should only be altered when **CC115L** is in the IDLE state.

13.1 Packet Format

The format of the data packet can be configured and consists of the following items (see Figure 10):

- Preamble
- Synchronization word

- Optional length byte
- Optional address byte
- Payload
- Optional 2 byte CRC

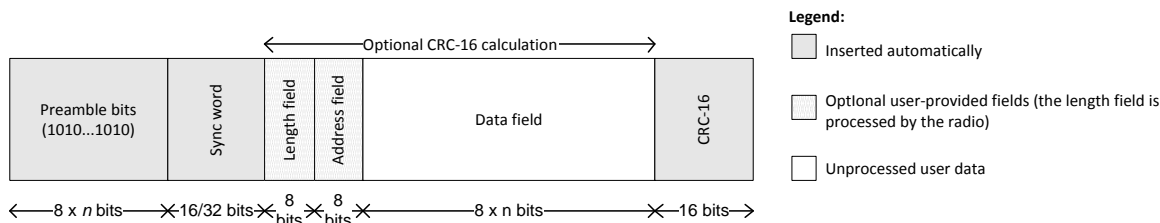


Figure 10: Packet Format

The preamble pattern is an alternating sequence of ones and zeros (10101010...). The minimum length of the preamble is programmable through the value of `MDMCFG1.NUM_PREAMBLE`. When enabling TX, the modulator will start transmitting the preamble. When the programmed number of preamble bytes has been transmitted, the modulator will send the sync word and then data from the TX FIFO if data is available. If the TX FIFO is empty, the modulator will continue to send preamble bytes until the first byte is written to the TX FIFO. The modulator will then send the sync word and then the data bytes.

The synchronization word is a two-byte value set in the `SYNC1` and `SYNC0` registers. If the **CC110L**, **CC113L**, or **CC1101** are used at the receiving end, they will need the sync word for byte synchronization of the incoming packet. The synchronization word is automatically

inserted by the **CC115L**. A one-byte sync word can be emulated by setting the `SYNC1` value to the preamble pattern. It is also possible to emulate a 32 bit sync word by setting `MDMCFG2.SYNC_MODE` to 3. The sync word will then be repeated twice.

CC115L supports both constant packet length protocols and variable length protocols. Variable or fixed packet length mode can be used for packets up to 255 bytes. For longer packets, infinite packet length mode must be used.

Fixed packet length mode is selected by setting `PKTCTRL0.LENGTH_CONFIG=0`. The desired packet length is set by the `PKTLEN` register. This value must be different from 0.

In variable packet length mode, `PKTCTRL0.LENGTH_CONFIG=1`, the packet length is configured by the first byte

transmitted after the sync word. The packet length is defined as the payload data, excluding the length byte and the optional CRC. The `PKTLEN` value must be different from 0

With `PKTCTRL0.LENGTH_CONFIG=2`, the packet length is set to infinite and transmission will continue until turned off manually. As described in the next section, this can be used to support packet formats with different length configuration than natively supported by **CC115L**. One should make sure that TX mode is not turned off during the transmission of the first half of any byte. Refer to the **CC115L** Errata Notes [3] for more details.

Note: The minimum packet length supported (excluding the optional length byte and CRC) is one byte of payload data.

13.1.1 Packet Length > 255

The packet automation control register, `PKTCTRL0`, can be reprogrammed during TX. This opens the possibility to transmit packets that are longer than 256 bytes and still be able to use the packet handling hardware support. At the start of the packet, the infinite packet length mode

(`PKTCTRL0.LENGTH_CONFIG=2`) must be active and the `PKTLEN` register is set to $\text{mod}(\text{length}, 256)$. When less than 256 bytes remains of the packet, the MCU disables infinite packet length mode and activates fixed packet length mode (`PKTCTRL0.LENGTH_CONFIG=0`). When the internal byte counter reaches the `PKTLEN` value, the transmission ends (the radio enters the state determined by `TXOFF_MODE`). Automatic CRC appending/checking can also be used (by setting `PKTCTRL0.CRC_EN=1`).

When for example a 600-byte packet is to be transmitted, the MCU should do the following (see also Figure 11)

- Set `PKTCTRL0.LENGTH_CONFIG=2`.
- Pre-program the `PKTLEN` register to $\text{mod}(600, 256) = 88$.
- Transmit at least 345 bytes (600 - 255), for example by filling the 64-byte TX FIFO six times (384 bytes transmitted).
- Set `PKTCTRL0.LENGTH_CONFIG=0`.
- The transmission ends when the packet counter reaches 88. A total of 600 bytes are transmitted.

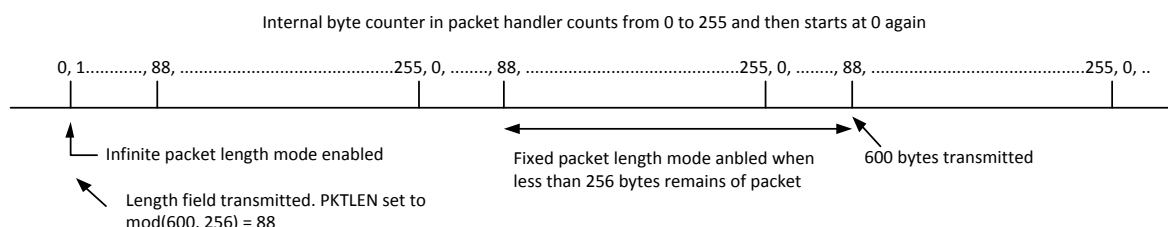


Figure 11: Packet Length > 255

13.2 Packet Handling

The payload that is to be transmitted must be written into the TX FIFO. The first byte written must be the length byte when variable packet length is enabled. The length byte has a value equal to the payload of the packet (including the optional address byte). If the receiver is the **CC110L**, **CC113L**, or **CC1101**, and address recognition is enabled, the second byte written to the TX FIFO must be the address byte.

If fixed packet length is enabled, the first byte written to the TX FIFO should be the address (assuming the receiver uses address recognition).

The modulator will first send the programmed number of preamble bytes. If data is available in the TX FIFO, the modulator will send the two-byte (optionally 4-byte) sync word followed by the payload in the TX FIFO. If CRC is enabled, the checksum is calculated over all the data pulled from the TX FIFO, and the result is sent as two extra bytes following the payload data. If the TX FIFO runs empty before the complete packet has been transmitted, the radio will enter `TXFIFO_UNDERFLOW` state. The only way to exit this state is by issuing an `SFTX` strobe. Writing to the TX FIFO after it has underflowed will not restart TX mode.

13.3 Packet Handling in Firmware

When implementing a packet oriented radio protocol in firmware, the MCU needs to know when a packet has been transmitted. Additionally, for packets longer than 64 bytes, the TX FIFO needs to be refilled while in TX. This means that the MCU needs to know the number of bytes that can be written to the TX FIFO. There are two possible solutions to get the necessary status information:

a) Interrupt Driven Solution

The GDO pins can be used to give an interrupt when a sync word has been transmitted or when a complete packet has been transmitted by setting `IOCFGx.GDOx_CFG=0x06`. In addition, there are two configurations for the `IOCFGx.GDOx_CFG` register that can be used as an interrupt source to provide information on how many bytes that are in the TX FIFO (`IOCFGx.GDOx_CFG=0x02` and

`IOCFGx.GDOx_CFG=0x03`). See Table 27 for more information.

b) SPI Polling

The `PKTSTATUS` register can be polled at a given rate to get information about the current `GDO2` and `GDO0` values. The `TXBYTES` register can be polled at a given rate to get information about the number of bytes in the TX FIFO. Alternatively, the number of bytes in the TX FIFO can be read from the chip status byte returned on the MISO line each time a header byte, data byte, or command strobe is sent on the SPI bus.

It is recommended to employ an interrupt driven solution due to a small, but finite, probability that a single read from registers `PKTSTATUS` and `TXBYTES` is being corrupt. The same is the case when reading the chip status byte (see Section 10.3 and the **CC115L** Errata Notes [3]).

14 Modulation Formats

CC115L supports amplitude, frequency, and phase shift modulation formats. The desired modulation format is set in the `MDMCFG2.MOD_FORMAT` register. Optionally, the data stream can be Manchester coded by

the modulator by setting `MDMCFG2.MANCHESTER_EN=1`.

Note: Manchester encoding is not supported at the same time as using 4-FSK modulation.

14.1 Frequency Shift Keying

CC115L supports 2-(G)FSK and 4-FSK modulation. When selecting 4-FSK, the preamble and sync word is sent using 2-FSK (see Figure 12).

The frequency deviation is programmed with the `DEVIATION_M` and `DEVIATION_E` values in the `DEVIATN` register. The value has an exponent/mantissa form, and the resultant deviation is given by:

$$f_{dev} = \frac{f_{xosc}}{2^{17}} \cdot (8 + DEVIATION_M) \cdot 2^{DEVIATION_E}$$

The symbol encoding is shown in Table 19.

| Format | Symbol | Coding |
|------------|--------|-----------------|
| 2-FSK/GFSK | '0' | - Deviation |
| | '1' | + Deviation |
| 4-FSK | '01' | - Deviation |
| | '00' | - 1/3·Deviation |
| | '10' | +1/3·Deviation |
| | '11' | + Deviation |

Table 19: Symbol Encoding for 2-FSK/GFSK and 4-FSK Modulation

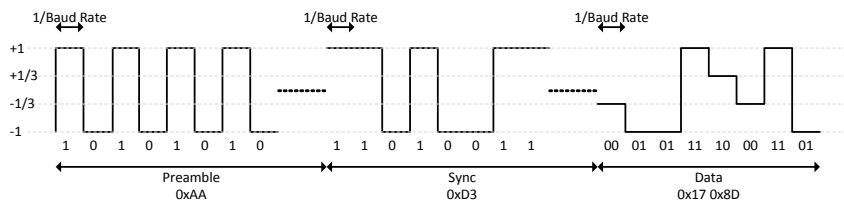


Figure 12: Data Sent Over the Air (MDMCFG2.MOD_FORMAT=100)

14.2 Amplitude Modulation

The amplitude modulation supported by **CC115L** is On-Off Keying (OOK). OOK modulation simply turns the PA on or off to modulate ones and zeros respectively.

The **DEVIATN** register setting has no effect when using OOK.

15 Radio Control

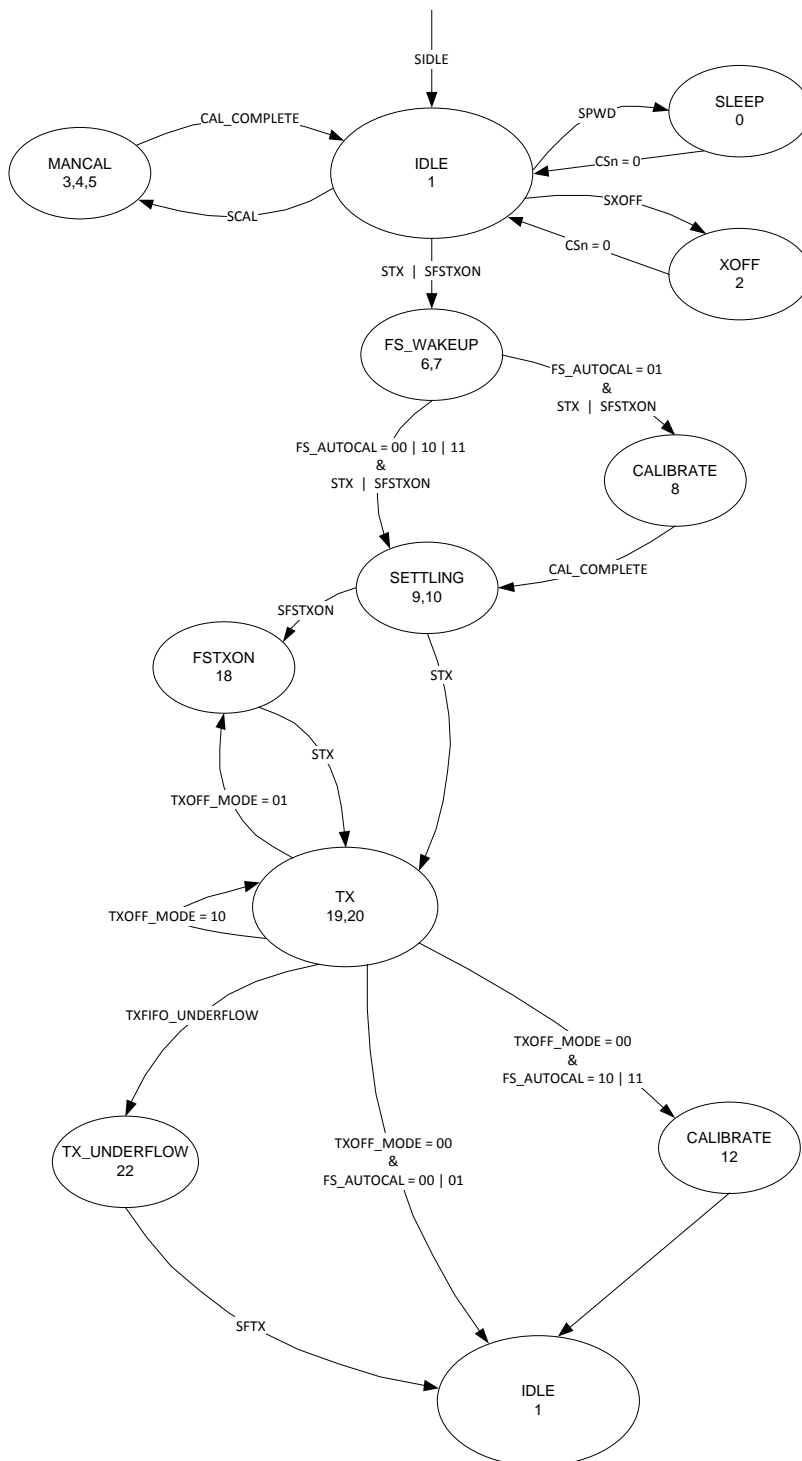


Figure 13: Complete Radio Control State Diagram

CC115L has a built-in state machine that is used to switch between different operational states (modes). The change of state is done either by using command strobes or by internal events such as TX FIFO underflow.

A simplified state diagram, together with typical usage and current consumption, is

15.1 Power-On Start-Up Sequence

When the power supply is turned on, the system must be reset. This is achieved by one of the two sequences described below, i.e. automatic power-on reset (POR) or manual reset. After the automatic power-on reset or manual reset, it is also recommended to change the signal that is output on the GDO0 pin. The default setting is to output a clock signal with a frequency of CLK_XOSC/192. However, to optimize performance in TX, an alternative GDO setting from the settings found in Table 27 on page 35 should be selected.

15.1.1 Automatic POR

A power-on reset circuit is included in the **CC115L**. The minimum requirements stated in Table 13 must be followed for the power-on reset to function properly. The internal power-up sequence is completed when `CHIP_RDYn` goes low. `CHIP_RDYn` is observed on the SO pin after `CSn` is pulled low. See Section 10.1 for more details on `CHIP_RDYn`.

When the **CC115L** reset is completed, the chip will be in the IDLE state and the crystal oscillator will be running. If the chip has had sufficient time for the crystal oscillator to stabilize after the power-on-reset, the SO pin will go low immediately after taking `CSn` low. If `CSn` is taken low before reset is completed, the SO pin will first go high, indicating that the crystal oscillator is not stabilized, before going low as shown in Figure 14.

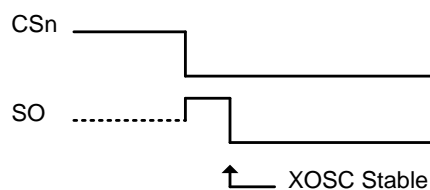


Figure 14: Power-On Reset

shown in Figure 6 on page 17. The complete radio control state diagram is shown in Figure 13. The numbers refer to the state number readable in the `MARCSSTATE` status register. This register is primarily for test purposes.

15.1.2 Manual Reset

The other global reset possibility on **CC115L** uses the `SRES` command strobe. By issuing this strobe, all internal registers and states are set to the default, IDLE state. The manual power-up sequence is as follows (see Figure 15):

- Set `SCLK` = 1 and `SI` = 0.
- Strobe `CSn` low / high.
- Hold `CSn` low and then high for at least 40 μ s relative to pulling `CSn` low
- Pull `CSn` low and wait for `SO` to go low (`CHIP_RDYn`).
- Issue the `SRES` strobe on the `SI` line.
- When `SO` goes low again, reset is complete and the chip is in the IDLE state.

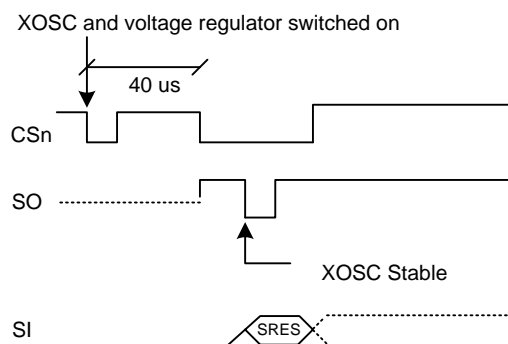


Figure 15: Power-On Reset with `SRES`

Note that the above reset procedure is only required just after the power supply is first turned on. If the user wants to reset the **CC115L** after this, it is only necessary to issue an `SRES` command strobe.

15.2 Crystal Control

The crystal oscillator (XOSC) is either automatically controlled or always on, if `MCSM0.XOSC_FORCE_ON` is set.

In the automatic mode, the XOSC will be turned off if the `SXOFF` or `SPWD` command strobes are issued; the state machine then goes to XOFF or SLEEP respectively. This can only be done from the IDLE state. The XOSC will be turned off when CSn is released (goes high). The XOSC will be automatically turned on again when CSn goes low. The

state machine will then go to the IDLE state. The SO pin on the SPI interface must be pulled low before the SPI interface is ready to be used as described in Section 10.1 on page 19.

If the XOSC is forced on, the crystal will always stay on even in the SLEEP state.

Crystal oscillator start-up time depends on crystal ESR and load capacitances. The electrical specification for the crystal oscillator can be found in Section 4.3 on page 9.

15.3 Voltage Regulator Control

The voltage regulator to the digital core is controlled by the radio controller. When the chip enters the SLEEP state which is the state with the lowest current consumption, the voltage regulator is disabled. This occurs after CSn is released when a `SPWD` command

strobe has been sent on the SPI interface. The chip is then in the SLEEP state. Setting CSn low again will turn on the regulator and crystal oscillator and make the chip enter the IDLE state.

15.4 Transmit Mode (TX)

Transmit mode is activated directly by the MCU by using the `STX` command strobe.

The frequency synthesizer must be calibrated regularly. **CC115L** has one manual calibration option (using the `SCAL` strobe), and three automatic calibration options that are controlled by the `MCSM0.FS_AUTOCAL` setting:

- Calibrate when going from IDLE to TX or FSTXON
- Calibrate when going from TX to IDLE automatically¹
- Calibrate every fourth time when going from TX to IDLE automatically³

If the radio goes from TX to IDLE by issuing an `SIDLE` strobe, calibration will not be

¹ Not forced in IDLE by issuing an `SIDLE` strobe

performed. The calibration takes a constant number of XOSC cycles; see Table 20 for timing details regarding calibration.

When TX is active the chip will remain in the TX state until the current packet has been successfully transmitted. Then the state will change as indicated by the `MCSM1.TXOFF_MODE` setting. The possible destinations are:

- IDLE
- FSTXON: Frequency synthesizer on and ready at the TX frequency. Activate TX with `STX`
- TX: Start sending preamble

The `SIDLE` command strobe can always be used to force the radio controller to go to the IDLE state.

15.5 Timing

15.5.1 Overall State Transition Times

The main radio controller needs to wait in certain states in order to make sure that the internal analog/digital parts have settled down and are ready to operate in the new states. A number of factors are important for the state transition times:

- The crystal oscillator frequency, f_{xosc}
- OOK used or not
- The data rate in cases where OOK is used

- The value of the TEST0, TEST1, and FSCAL3 registers

Table 20 shows timing in crystal clock cycles for key state transitions.

Note that the TX to IDLE transition time is a function of data rate ($f_{baudrate}$). When OOK is used (i.e. FRENDO.PA_POWER=001_b), TX to IDLE will require $1/8 \cdot f_{baudrate}$ longer times than the time stated in Table 20.

| Description | Transition Time (FRENDO.PA_POWER=0) | Transition Time [μs] |
|-------------------------------------|---|----------------------|
| IDLE to TX/FSTXON, no calibration | $1954/f_{xosc}$ | 75.2 |
| IDLE to TX/FSTXON, with calibration | $1953/f_{xosc} + \text{FS calibration Time}$ | 799 |
| TX to IDLE, no calibration | $\sim 0.25/f_{baudrate}$ | ~1 |
| TX to IDLE, with calibration | $\sim 0.25/f_{baudrate} + \text{FS calibration Time}$ | 725 |
| Manual calibration | $283/f_{xosc} + \text{FS calibration Time}$ | 735 |

Table 20: Overall State Transition Times (Example for 26 MHz crystal oscillator, 250 kBaud data rate, and TEST0 = 0x0B (maximum calibration time)).

15.5.2 Frequency Synthesizer Calibration Time

Table 21 summarizes the frequency synthesizer (FS) calibration times for possible settings of TEST0 and FSCAL3.CHP_CURR_CAL_EN. Setting FSCAL3.CHP_CURR_CAL_EN to 00_b disables the charge pump calibration stage. TEST0 is set to the values recommended by SmartRF

Studio software [4]. The possible values for TEST0 when operating with different frequency bands are 0x09 and 0x0B. The SmartRF Studio software [4] always sets FSCAL3.CHP_CURR_CAL_EN to 10_b.

The calibration time can be reduced from 712/724 μs to 145/157 μs. See Section 23.2 on page 37 for more details.

| TEST0 | FSCAL3.CHP_CURR_CAL_EN | FS Calibration Time $f_{xosc} = 26 \text{ MHz}$ | FS Calibration Time $f_{xosc} = 27 \text{ MHz}$ |
|-------|------------------------|--|--|
| 0x09 | 00 _b | $3764/f_{xosc} = 145 \mu\text{s}$ | $3764/f_{xosc} = 139 \mu\text{s}$ |
| 0x09 | 10 _b | $18506/f_{xosc} = 712 \mu\text{s}$ | $18506/f_{xosc} = 685 \mu\text{s}$ |
| 0x0B | 00 _b | $4073/f_{xosc} = 157 \mu\text{s}$ | $4073/f_{xosc} = 151 \mu\text{s}$ |
| 0x0B | 10 _b | $18815/f_{xosc} = 724 \mu\text{s}$ | $18815/f_{xosc} = 697 \mu\text{s}$ |

Table 21. Frequency Synthesizer Calibration Times (26/27 MHz crystal)

16 TX FIFO

The **CC115L** contains a 64-byte TX FIFO for data to be transmitted and the SPI interface is used to write to the TX FIFO (see Section 10.5 for more details). The FIFO controller will detect underflow in the TX FIFO.

When writing to the TX FIFO it is the responsibility of the MCU to avoid TX FIFO overflow. A TX FIFO overflow will result in an error in the TX FIFO content.

The chip status byte that is available on the SO pin while transferring the SPI header contains the fill grade of the TX FIFO (R/W = 0). Section 10.1 on page 19 contains more details on this.

The number of bytes in the TX FIFO can also be read from the status register `TXBYTES.NUM_TXBYTES`.

The 4-bit `FIFOTH.R.FIFO_THR` setting is used to program threshold points in the TX FIFO.

Table 22 lists the 16 `FIFO_THR` settings and the corresponding thresholds for the TX FIFO.

| FIFO_THR | Bytes in TX FIFO |
|-----------|------------------|
| 0 (0000) | 61 |
| 1 (0001) | 57 |
| 2 (0010) | 53 |
| 3 (0011) | 49 |
| 4 (0100) | 45 |
| 5 (0101) | 41 |
| 6 (0110) | 37 |
| 7 (0111) | 33 |
| 8 (1000) | 29 |
| 9 (1001) | 25 |
| 10 (1010) | 21 |
| 11 (1011) | 17 |
| 12 (1100) | 13 |
| 13 (1101) | 9 |
| 14 (1110) | 5 |
| 15 (1111) | 1 |

Table 22: FIFO_THR Settings and the Corresponding TX FIFO Thresholds

17 Frequency Programming

The frequency programming in **CC115L** is designed to minimize the programming needed when changing frequency.

To set up a system with channel numbers, the desired channel spacing is programmed with the `MDMCFG0.CHANSPC_M` and `MDMCFG1.CHANSPC_E` registers. The channel

A signal will assert when the number of bytes in the TX FIFO is equal to or higher than the programmed threshold. This signal can be viewed on the GDO pins (see Table 27 on page 35).

Figure 16 shows the number of bytes in the TX FIFO when the threshold signal toggles in the case of `FIFO_THR=13`. Figure 17 shows the signal on the GDO pin as the TX FIFO is filled above the threshold, and then drained below in the case of `FIFO_THR=13`.

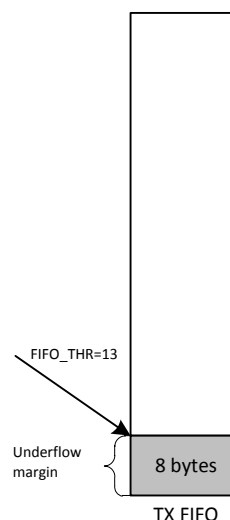


Figure 16 Example of TX FIFO at Threshold

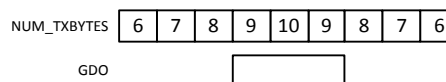


Figure 17: Number of Bytes in TX FIFO vs. the GDO Signal
(`GDOx_CFG=0x02` and `FIFO_THR=13`)

spacing registers are mantissa and exponent respectively. The base or start frequency is set by the 24 bit frequency word located in the `FREQ2`, `FREQ1`, and `FREQ0` registers. This word will typically be set to the centre of the lowest channel frequency that is to be used.

The desired channel number is programmed with the 8-bit channel number register,

CHANNR.CHAN, which is multiplied by the channel offset. The resultant carrier frequency

$$f_{carrier} = \frac{f_{XOSC}}{2^{16}} \cdot (FREQ + CHAN \cdot ((256 + CHANSPC_M) \cdot 2^{CHANSPEC_E-2}))$$

With a 26 MHz crystal the maximum channel spacing is 405 kHz. To get e.g. 1 MHz channel spacing, one solution is to use 333 kHz channel spacing and select each third channel in CHANNR.CHAN.

The preferred IF frequency is programmed with the FSCTRL1.FREQ_IF register. The IF frequency is given by:

is given by:

$$f_{IF} = \frac{f_{XOSC}}{2^{10}} \cdot FREQ_IF$$

If any frequency programming register is altered when the frequency synthesizer is running, the synthesizer may give an undesired response. Hence, the frequency should only be updated when the radio is in the IDLE state

18 VCO

The VCO is completely integrated on-chip.

18.1 VCO and PLL Self-Calibration

The VCO characteristics vary with temperature and supply voltage changes as well as with the desired operating frequency. In order to ensure reliable operation, **CC115L** includes frequency synthesizer self-calibration circuitry. This calibration should be done regularly, and must be performed after turning on power and before using a new frequency (or channel). The number of XOSC cycles for completing the PLL calibration is given in Table 20 on page 30.

The calibration can be initiated automatically or manually. The synthesizer can be automatically calibrated each time the synthesizer is turned on, or each time the synthesizer is turned off automatically. This is configured with the MCSM0.FS_AUTOCAL register setting. In manual mode, the calibration is initiated when the SCAL command strobe is activated in the IDLE mode.

Note: The calibration values are maintained in SLEEP mode, so the calibration is still valid after waking up from SLEEP mode unless supply voltage or temperature has changed significantly.

To check that the PLL is in lock, the user can program register IOCFGx.GDOx_CFG to 0x0A, and use the lock detector output available on the GDOx pin as an interrupt for the MCU (x = 0,1, or 2). A positive transition on the GDOx pin means that the PLL is in lock. As an alternative the user can read register FSCAL1. The PLL is in lock if the register content is different from 0x3F. Refer also to the **CC115L** Errata Notes [3].

For more robust operation, the source code could include a check so that the PLL is recalibrated until PLL lock is achieved if the PLL does not lock the first time.

19 Voltage Regulators

CC115L contains several on-chip linear voltage regulators that generate the supply voltages needed by low-voltage modules. These voltage regulators are invisible to the user, and can be viewed as integral parts of the various modules. The user must however make sure that the absolute maximum ratings and required pin voltages in Table 1 and Table 14 are not exceeded.

By setting the CSn pin low, the voltage regulator to the digital core turns on and the crystal oscillator starts. The SO pin on the SPI interface must go low before the first positive

edge of SCLK (setup time is given in Table 16).

If the chip is programmed to enter power-down mode (SPWD strobe issued), the power will be turned off after CSn goes high. The power and crystal oscillator will be turned on again when CSn goes low.

The voltage regulator for the digital core requires one external decoupling capacitor.

The voltage regulator output should only be used for driving the **CC115L**.

20 Output Power Programming

The RF output power level from the device has two levels of programmability. The `PATABLE` register can hold two user selected output power settings and the `FREND0.PA_POWER` value selects the `PATABLE` entry to use (0 or 1). `PATABLE` must be programmed in burst mode if writing to other entries than `PATABLE[0]`. See Section 10.6 on page 21 for more programming details.

For OOK modulation, `FREND0.PA_POWER` should be 1 and the logic 0 and logic 1 power levels shall be programmed to index 0 and 1 respectively. For all other modulation formats, the desired output power should be programmed to index 0.

Table 25 contains recommended `PATABLE` settings for various output levels and frequency bands. DN013 [7] gives the complete tables for the different frequency bands using multi-layer inductors. Using PA settings from 0x61 to 0x6F is not allowed. Table 26 contains output power and current consumption for default `PATABLE` setting (0xC6). The measurements are done on ([2]).

Note: All content of the `PATABLE` except for the first byte (index 0) is lost when entering the SLEEP state.

| Output Power [dBm] | 868 MHz | | 915 MHz | |
|--------------------|---------|--------------------------------|---------|--------------------------------|
| | Setting | Current Consumption, Typ. [mA] | Setting | Current Consumption, Typ. [mA] |
| 12/11 | 0xC0 | 34.2 | 0xC0 | 33.4 |
| 10 | 0xC5 | 30.0 | 0xC3 | 30.7 |
| 7 | 0xCD | 25.8 | 0xCC | 25.7 |
| 5 | 0x86 | 19.9 | 0x84 | 20.2 |
| 0 | 0x50 | 16.8 | 0x8E | 17.2 |
| -6 | 0x37 | 16.4 | 0x38 | 17.0 |
| -10 | 0x26 | 14.5 | 0x27 | 14.8 |
| -15 | 0x1D | 13.3 | 0x1E | 13.3 |
| -20 | 0x17 | 12.6 | 0x0E | 12.5 |
| -30 | 0x03 | 12.0 | 0x03 | 11.9 |

Table 23: Optimum `PATABLE` Settings for Various Output Power Levels Using Wire-Wound Inductors in 868/915 MHz Frequency Bands

| Default Power Setting | 868 MHz | | 915 MHz | |
|-----------------------|--------------------|--------------------------------|--------------------|--------------------------------|
| | Output Power [dBm] | Current Consumption, Typ. [mA] | Output Power [dBm] | Current Consumption, Typ. [mA] |
| 0xC6 | 9.6 | 29.4 | 8.9 | 28.7 |

Table 24: Output Power and Current Consumption for Default `PATABLE` Setting Using Wire-Wound Inductors in 868/915 MHz Frequency Bands

| Output Power [dBm] | 868 MHz | | 915 MHz | |
|--------------------|---------|--------------------------------|---------|--------------------------------|
| | Setting | Current Consumption, Typ. [mA] | Setting | Current Consumption, Typ. [mA] |
| 10 | 0xC2 | 32.4 | 0xC0 | 31.8 |
| 7 | 0xCB | 26.8 | 0xC7 | 26.9 |
| 5 | 0x81 | 21.0 | 0xCD | 24.3 |
| 0 | 0x50 | 16.9 | 0x8E | 16.7 |
| -10 | 0x27 | 15.0 | 0x27 | 14.9 |
| -15 | 0x1E | 13.4 | 0x1E | 13.4 |
| -20 | 0x0F | 12.7 | 0x0E | 12.6 |
| -30 | 0x03 | 12.1 | 0x03 | 12.0 |

Table 25: Optimum PATALE Settings for Various Output Power Levels Using Multi-layer Inductors in 868/915 MHz Frequency Bands

| Default Power Setting | 868 MHz | | 915 MHz | |
|-----------------------|--------------------|--------------------------------|--------------------|--------------------------------|
| | Output Power [dBm] | Current Consumption, Typ. [mA] | Output Power [dBm] | Current Consumption, Typ. [mA] |
| 0xC6 | 8.5 | 29.5 | 7.2 | 27.4 |

Table 26: Output Power and Current Consumption for Default PATALE Setting Using Multi-layer Inductors in 868/915 MHz Frequency Bands

21 General Purpose / Test Output Control Pins

The three digital output pins GDO0, GDO1, and GDO2 are general control pins configured with `IOCFG0.GDO0_CFG`, `IOCFG1.GDO1_CFG`, and `IOCFG2.GDO2_CFG` respectively. Table 27 shows the different signals that can be monitored on the GDO pins. These signals can be used as inputs to the MCU.

GDO1 is the same pin as the SO pin on the SPI interface, thus the output programmed on this pin will only be valid when CSn is high. The default value for GDO1 is 3-stated which is useful when the SPI interface is shared with other devices.

The default value for GDO0 is a 135 - 141 kHz clock output (XOSC frequency divided by 192). Since the XOSC is turned on at

power-on-reset, this can be used to clock the MCU in systems with only one crystal. When the MCU is up and running, it can change the clock frequency by writing to `IOCFG0.GDO0_CFG`.

If the `IOCFGx.GDOx_CFG` setting is less than 0x20 and `IOCFGx_GDOx_INV` is 0 (1), the GDO0 and GDO2 pins will be hardwired to 0 (1), and the GDO1 pin will be hardwired to 1 (0) in the SLEEP state. These signals will be hardwired until the `CHIP_RDYn` signal goes low.

If the `IOCFGx.GDOx_CFG` setting is 0x20 or higher, the GDO pins will work as programmed also in SLEEP state. As an example, GDO1 is high impedance in all states if `IOCFG1.GDO1_CFG=0x2E`.

| GDOx_CFG[5:0] | Description | |
|-----------------------|--|---|
| 0 (0x00) - 1 (0x01) | Reserved - used for test. | |
| 2 (0x02) | Associated to the TX FIFO: Asserts when the TX FIFO is filled at or above the TX FIFO threshold. De-asserts when the TX FIFO is below the same threshold. | |
| 3 (0x03) | Associated to the TX FIFO: Asserts when TX FIFO is full. De-asserts when the TX FIFO is drained below the TX FIFO threshold. | |
| 4 (0x04) | Reserved - used for test. | |
| 5 (0x05) | Asserts when the TX FIFO has underflowed. De-asserts when the FIFO is flushed. | |
| 6 (0x06) | Asserts when sync word has been sent, and de-asserts at the end of the packet. The pin will de-assert if the TX FIFO underflows. | |
| 7 (0x07) - 9 (0x09) | Reserved - used for test. | |
| 10 (0x0A) | Lock detector output. The PLL is in lock if the lock detector output has a positive transition or is constantly logic high. To check for PLL lock the lock detector output should be used as an interrupt for the MCU. | |
| 11 (0x0B) | Serial Clock. Synchronous to the data in synchronous serial mode. Data is sampled by CC115L on the rising edge of the serial clock when GDOx_INV=0. | |
| 12 (0x0C) | Serial Synchronous Data Output. Used for synchronous serial mode. | |
| 13 (0x0D) | Serial Data Output. Used for asynchronous serial mode. | |
| 14 (0x0E) - 26 (0x1A) | Reserved - used for test. | |
| 27 (0x1B) | PA_PD. Note: PA_PD will have the same signal level in SLEEP and TX states. To control an external PA in applications where the SLEEP state is used it is recommended to use GDOx_CFGx=0x2F instead. | |
| 28 (0x1C) - 40 (0x28) | Reserved - used for test. | |
| 41 (0x29) | CHIP_RDYn. | |
| 42 (0x2A) | Reserved - used for test. | |
| 43 (0x2B) | XOSC_STABLE. | |
| 44 (0x2C) - 45 (0x2D) | Reserved - used for test. | |
| 46 (0x2E) | High impedance (3-state). | |
| 47 (0x2F) | HW to 0 (HW1 achieved by setting GDOx_INV=1). Can be used to control an external PA | |
| 48 (0x30) | CLK_XOSC/1 | <p>Note: There are 3 GDO pins, but only one CLK_XOSC/n can be selected as an output at any time. If CLK_XOSC/n is to be monitored on one of the GDO pins, the other two GDO pins must be configured to values less than 0x30. The GDO0 default value is CLK_XOSC/192.</p> <p>To optimize RF performance, these signals should not be used while the radio is in TX mode.</p> |
| 49 (0x31) | CLK_XOSC/1.5 | |
| 50 (0x32) | CLK_XOSC/2 | |
| 51 (0x33) | CLK_XOSC/3 | |
| 52 (0x34) | CLK_XOSC/4 | |
| 53 (0x35) | CLK_XOSC/6 | |
| 54 (0x36) | CLK_XOSC/8 | |
| 55 (0x37) | CLK_XOSC/12 | |
| 56 (0x38) | CLK_XOSC/16 | |
| 57 (0x39) | CLK_XOSC/24 | |
| 58 (0x3A) | CLK_XOSC/32 | |
| 59 (0x3B) | CLK_XOSC/48 | |
| 60 (0x3C) | CLK_XOSC/64 | |
| 61 (0x3D) | CLK_XOSC/96 | |
| 62 (0x3E) | CLK_XOSC/128 | |
| 63 (0x3F) | CLK_XOSC/192 | |

Table 27: GDOx Signal Selection (x = 0, 1, or 2)

22 Asynchronous and Synchronous Serial Operation

Several features and modes of operation have been included in the **CC115L** to provide backward compatibility with previous Chipcon products and other existing RF communication systems. For new systems, it is recommended

to use the built-in packet handling features, as they can give more robust communication, significantly offload the microcontroller, and simplify software development.

22.1 Asynchronous Serial Operation

Asynchronous transfer is included in the **CC115L** for backward compatibility with systems that are already using the asynchronous data transfer.

When asynchronous transfer is enabled, all packet handling support is disabled and it is not possible to use Manchester encoding.

Asynchronous serial mode is enabled by setting `PKTCTRL0.PKT_FORMAT` to 3.

Strobing `STX` will configure the `GDO0` pin as data input (TX data) regardless of the content of the `IOCFG0` register.

The **CC115L** modulator samples the level of the asynchronous input 8 times faster than the programmed data rate. The timing requirement for the asynchronous stream is that the error in the bit period must be less than one eighth of the programmed data rate.

22.2 Synchronous Serial Operation

Setting `PKTCTRL0.PKT_FORMAT` to 1 enables synchronous serial mode. When using this mode, sync detection should be disabled together with CRC calculation (`MDMCFG2.SYNC_MODE=000` and `PKTCTRL0.CRC_EN=0`). Infinite packet length mode should be used (`PKTCTRL0.LENGTH_CONFIG=10b`).

In synchronous serial mode, data is transferred on a two-wire serial interface. The **CC115L** provides a clock that is used to set up new data on the data input line. Data input (TX data) is on the `GDO0` pin. This pin will automatically be configured as an input when TX is active. The TX latency is 8 bits.

The MCU must handle preamble and sync word insertion in software, together with CRC calculation and insertion.

23 System Considerations and Guidelines

23.1 SRD Regulations

International regulations and national laws regulate the use of radio receivers and transmitters. Short Range Devices (SRDs) for license free operation below 1 GHz are usually operated in the 315 MHz, 433 MHz, 868 MHz, or 915 MHz frequency bands. The **CC115L** is specifically designed for such use with its 300 - 348 MHz, 387 - 464 MHz, and 779 - 928 MHz operating ranges. The most important regulations when using the **CC115L** in the 315 MHz, 433 MHz, 868 MHz, or 915 MHz frequency bands are EN 300 220 V2.3.1 (Europe) and FCC CFR47 part 15 (USA).

For compliance with modulation bandwidth requirements under EN 300 220 V2.3.1 in the 863 to 870 MHz frequency range it is recommended to use a 26 MHz crystal for frequencies below 869 MHz and a 27 MHz crystal for frequencies above 869 MHz.

Please note that compliance with regulations is dependent on the complete system performance. It is the customer's responsibility to ensure that the system complies with regulations.

23.2 Calibration in Multi-Channel Systems

CC115L is highly suited for multi-channel systems due to its agile frequency synthesizer and effective communication interface.

Charge pump current, VCO current, and VCO capacitance array calibration data is required for each frequency when implementing a multi-channel system. There are 3 ways of obtaining the calibration data from the chip:

1) Calibration for every frequency change. The PLL calibration time is 712/724 μ s (26 MHz crystal and `TEST0 = 0x09/0B`, see Table 21). The blanking interval between each frequency is then 787/799 μ s.

2) Perform all necessary calibration at startup and store the resulting `FSCAL3`, `FSCAL2`, and `FSCAL1` register values in MCU memory. The VCO capacitance calibration `FSCAL1` register value must be found for each RF frequency to be used. The VCO current calibration value and the charge pump current calibration value available in `FSCAL2` and `FSCAL3` respectively are not dependent on the RF frequency, so the same value can therefore be used for all RF frequencies for these two registers. Between each frequency change, the calibration process can then be replaced by writing the `FSCAL3`, `FSCAL2` and `FSCAL1` register values that corresponds to the next RF frequency. The PLL turn on time is approximately 75 μ s (Table 20). The blanking interval between each frequency hop is then approximately 75 μ s.

3) Run calibration on a single frequency at startup. Next write 0 to `FSCAL3[5:4]` to disable the charge pump calibration. After writing to `FSCAL3[5:4]`, strobe `STX` with `MCSM0.FS_AUTOCAL=1` for each new frequency. That is, VCO current and VCO capacitance calibration is done, but not charge pump current calibration. When charge pump current calibration is disabled the calibration time is reduced from 712/724 μ s to 145/157 μ s (26 MHz crystal and `TEST0 = 0x09/0B`, see Table 21). The blanking interval between each frequency hop is then 220/232 μ s.

There is a trade-off between blanking time and memory space needed for storing calibration data in non-volatile memory. Solution 2) above gives the shortest blanking interval, but requires more memory space to store calibration values. This solution also requires that the supply voltage and temperature do not vary much in order to have a robust solution. Solution 3) gives 567 μ s smaller blanking interval than solution 1).

The recommended settings for `TEST0.VCO_SEL_CAL_EN` change with frequency. This means that one should always use SmartRF Studio [4] to get the correct settings for a specific frequency before doing a calibration, regardless of which calibration method is being used.

Note: The content in the `TEST0` register is not retained in SLEEP state, thus it is necessary to re-write this register when returning from the SLEEP state.

23.3 Wideband Modulation when not Using Spread Spectrum

Digital modulation systems under FCC part 15.247 include 2-FSK, GFSK, and 4-FSK modulation. A maximum peak output power of 1 W (+30 dBm) is allowed if the 6 dB bandwidth of the modulated signal exceeds 500 kHz. In addition, the peak power spectral density conducted to the antenna shall not be greater than +8 dBm in any 3 kHz band.

Operating at high data rates and frequency separation, the **CC115L** is suited for systems targeting compliance with digital modulation system as defined by FCC part 15.247. An external power amplifier such as **CC1190** [8] is needed to increase the output above +11 dBm. Please refer to DN006 [6] for further details concerning wideband modulation and **CC115L**.

23.4 Data Burst Transmissions

The high maximum data rate of **CC115L** opens up for burst transmissions. A low average data rate link (e.g. 10 kBaud) can be realized by using a higher over-the-air data rate. Buffering the data and transmitting in bursts at high data rate (e.g. 500 kBaud) will reduce the time in

TX mode, and hence also reduce the average current consumption significantly. Reducing the time in TX mode will reduce the likelihood of collisions with other systems in the same frequency range.

23.5 Continuous Transmissions

In data streaming applications, the **CC115L** opens up for continuous transmissions at 500 kBaud effective data rate. As the modulation is done with a closed loop PLL, there is no limitation in the length of a

transmission (open loop modulation used in some radios often prevents this kind of continuous data streaming and reduces the effective data rate).

23.6 Increasing Output Power

The PA portion of the **CC1190** [8] can be used together with **CC115L** in applications

where increased output power is needed.

24 Configuration Registers

The configuration of **CC115L** is done by programming 8-bit registers. The optimum configuration data based on selected system parameters are most easily found by using the SmartRF Studio software [4]. Complete descriptions of the registers are given in the following tables. After chip reset, all the registers have default values as shown in the tables. The optimum register setting might differ from the default value. After a reset, all registers that shall be different from the default value therefore needs to be programmed through the SPI interface.

There are 9 command strobe registers listed in Table 28. Accessing these registers will initiate the change of an internal state or mode. There are 34 normal 8-bit configuration registers listed in Table 29, and SmartRF Studio [4] will provide recommended settings for these registers².

There are also 5 status registers that are listed in Table 30. These registers, which are read-only, contain information about the status of **CC115L**.

The TX FIFO is accessed through one 8-bit register. During the header byte transfer and while writing data to a register or the TX FIFO, a status byte is returned on the SO line. This status byte is described in Table 17 on page 20.

Table 31 summarizes the SPI address space. The address to use is given by adding the base address to the left and the burst and read/write bits on the top. Note that the burst bit has different meaning for base addresses above and below 0x2F.

value to them. Addresses marked as "Reserved" must be configured according to SmartRF Studio[4].

²Addresses marked as "Not Used" can be part of a burst access and one can write a dummy

| Address | Strobe Name | Description |
|-------------|-------------|--|
| 0x30 | SRES | Reset chip. |
| 0x31 | SFSTXON | Enable and calibrate frequency synthesizer (if <code>MCSM0.FS_AUTOCAL=1</code>). |
| 0x32 | SXOFF | Turn off crystal oscillator. |
| 0x33 | SCAL | Calibrate frequency synthesizer and turn it off. <code>SCAL</code> can be strobed from IDLE mode without setting manual calibration mode (<code>MCSM0.FS_AUTOCAL=0</code>) |
| 0x34 | Reserved | |
| 0x35 | STX | In IDLE state: Enable TX. Perform calibration first if <code>MCSM0.FS_AUTOCAL=1</code> . |
| 0x36 | SIDLE | Enter IDLE state |
| 0x37 - 0x38 | Reserved | |
| 0x39 | SPWD | Enter power down mode when CSn goes high. |
| 0x3A | Reserved | |
| 0x3B | SFTX | Flush the TX FIFO buffer. Only issue <code>SFTX</code> in IDLE or <code>TXFIFO_UNDERFLOW</code> states. |
| 0x3C | Reserved | |
| 0x3D | SNOP | No operation. May be used to get access to the chip status byte. |

Table 28: Command Strobes

| Address | Register | Description | Preserved in SLEEP State | Details on Page Number |
|-------------|----------|--|--------------------------|------------------------|
| 0x00 | IOCFG2 | GDO2 output pin configuration | Yes | 42 |
| 0x01 | IOCFG1 | GDO1 output pin configuration | Yes | 42 |
| 0x02 | IOCFG0 | GDO0 output pin configuration | Yes | 42 |
| 0x03 | FIFOTHR | TX FIFO threshold | Yes | 43 |
| 0x04 | SYNC1 | Sync word, high byte | Yes | 43 |
| 0x05 | SYNC0 | Sync word, low byte | Yes | 43 |
| 0x06 | PKTLEN | Packet length | Yes | 43 |
| 0x07 | Not Used | | | |
| 0x08 | PKTCTRL0 | Packet automation control | Yes | 44 |
| 0x09 | Not Used | | | |
| 0x0A | CHANNR | Channel number | Yes | 44 |
| 0x0B | Not Used | | | |
| 0x0C | FSCTRL0 | Frequency synthesizer control | Yes | 44 |
| 0x0D | FREQ2 | Frequency control word, high byte | Yes | 44 |
| 0x0E | FREQ1 | Frequency control word, middle byte | Yes | 45 |
| 0x0F | FREQ0 | Frequency control word, low byte | Yes | 45 |
| 0x10 | MDMCFG4 | Modem configuration | Yes | 45 |
| 0x11 | MDMCFG3 | Modem configuration | Yes | 45 |
| 0x12 | MDMCFG2 | Modem configuration | Yes | 46 |
| 0x13 | MDMCFG1 | Modem configuration | Yes | 46 |
| 0x14 | MDMCFG0 | Modem configuration | Yes | 47 |
| 0x15 | DEVIATN | Modem deviation setting | Yes | 47 |
| 0x16 | Not Used | | | |
| 0x17 | MCSM1 | Main Radio Control State Machine Configuration | Yes | 47 |
| 0x18 | MCSM0 | Main Radio Control State Machine configuration | Yes | 48 |
| 0x19 - 0x1F | Not Used | | | |
| 0x20 | Reserved | | | 48 |
| 0x21 | Not Used | | | |
| 0x22 | FREND0 | Front end TX configuration | Yes | 49 |
| 0x23 | FSCAL3 | Frequency synthesizer calibration | Yes | 49 |
| 0x24 | FSCAL2 | Frequency synthesizer calibration | Yes | 49 |

| Address | Register | Description | Preserved in SLEEP State | Details on Page Number |
|-------------|----------|-----------------------------------|--------------------------|------------------------|
| 0x25 | FSCAL1 | Frequency synthesizer calibration | Yes | 49 |
| 0x26 | FSCAL0 | Frequency synthesizer calibration | Yes | 49 |
| 0x27 - 0x28 | Not Used | | | |
| 0x29 - 0x2B | RESERVED | | No | 50 |
| 0x2C | TEST2 | Various test settings | No | 50 |
| 0x2D | TEST1 | Various test settings | No | 50 |
| 0x2E | TEST0 | Various test settings | No | 50 |

Table 29: Configuration Registers Overview

| Address | Register | Description | Details on Page Number |
|---------------------------|-----------|--|------------------------|
| 0x30 (0xF0) | PARTNUM | Part number for <i>CC115L</i> | 50 |
| 0x31 (0xF1) | VERSION | Current version number | 50 |
| 0x32 - 0x34 (0xF2 - 0xF4) | Reserved | | |
| 0x35 (0xF5) | MARCSTATE | Control state machine state | 51 |
| 0x36 - 0x37 (0xF6 - 0xF7) | Reserved | | |
| 0x38 (0xF8) | PKTSTATUS | Current GDOx status and packet status | 52 |
| 0x39 (0xF9) | Reserved | | |
| 0x3A (0xFA) | TXBYTES | Underflow and number of bytes in the TX FIFO | 52 |
| 0x3B - 0x3D (0xFB - 0xFD) | Reserved | | |

Table 30: Status Registers Overview

| | Write | | Read | | |
|------|-------------|---------|-------------|-----------|--|
| | Single Byte | Burst | Single Byte | Burst | |
| | +0x00 | +0x40 | +0x80 | +0xC0 | |
| 0x00 | | | IOCFG2 | | R/W configuration registers, burst access possible |
| 0x01 | | | IOCFG1 | | |
| 0x02 | | | IOCFG0 | | |
| 0x03 | | | FIFOTHR | | |
| 0x04 | | | SYNC1 | | |
| 0x05 | | | SYNC0 | | |
| 0x06 | | | PKTLEN | | |
| 0x07 | | | Not Used | | |
| 0x08 | | | PKTCTRL0 | | |
| 0x09 | | | Not Used | | |
| 0x0A | | | CHANNR | | |
| 0x0B | | | Not Used | | |
| 0x0C | | | FSCtrl0 | | |
| 0x0D | | | FREQ2 | | |
| 0x0E | | | FREQ1 | | |
| 0x0F | | | FREQ0 | | |
| 0x10 | | | MDMCFG4 | | |
| 0x11 | | | MDMCFG3 | | |
| 0x12 | | | MDMCFG2 | | |
| 0x13 | | | MDMCFG1 | | |
| 0x14 | | | MDMCFG0 | | |
| 0x15 | | | DEVIATN | | |
| 0x16 | | | Not Used | | |
| 0x17 | | | MCSM1 | | |
| 0x18 | | | MCSM0 | | |
| 0x19 | | | Not Used | | |
| 0x1A | | | Not Used | | |
| 0x1B | | | Not Used | | |
| 0x1C | | | Not Used | | |
| 0x1D | | | Not Used | | |
| 0x1E | | | Not Used | | |
| 0x1F | | | Not Used | | |
| 0x20 | | | Not Used | | |
| 0x21 | | | Not Used | | |
| 0x22 | | | FREND0 | | |
| 0x23 | | | FSCAL3 | | |
| 0x24 | | | FSCAL2 | | |
| 0x25 | | | FSCAL1 | | |
| 0x26 | | | FSCAL0 | | |
| 0x27 | | | Not Used | | |
| 0x28 | | | Not Used | | |
| 0x29 | | | RESERVED | | |
| 0x2A | | | RESERVED | | |
| 0x2B | | | RESERVED | | |
| 0x2C | | | TEST2 | | |
| 0x2D | | | TEST1 | | |
| 0x2E | | | TEST0 | | |
| 0x2F | | | Not Used | | |
| 0x30 | SRES | | SRES | PARTNUM | Command Strobes, Status registers (read only) and multi byte registers |
| 0x31 | SFSTXON | | SFSTXON | VERSION | |
| 0x32 | SXOFF | | SXOFF | Reserved | |
| 0x33 | SCAL | | SCAL | Reserved | |
| 0x34 | Reserved | | Reserved | Reserved | |
| 0x35 | STX | | STX | MARCSTATE | |
| 0x36 | SIDLE | | SIDLE | Reserved | |
| 0x37 | Reserved | | Reserved | Reserved | |
| 0x38 | Reserved | | Reserved | PKTSTATUS | |
| 0x39 | SPWD | | SPWD | Reserved | |
| 0x3A | Reserved | | Reserved | TXBYTES | |
| 0x3B | SFTX | | SFTX | Reserved | |
| 0x3C | Reserved | | Reserved | Reserved | |
| 0x3D | SNOP | | SNOP | Reserved | |
| 0x3E | PATABLE | PATABLE | PATABLE | PATABLE | |
| 0x3F | TX FIFO | TX FIFO | Reserved | Reserved | |

Table 31: SPI Address Space

24.1 Configuration Register Details - Registers with preserved values in SLEEP state

0x00: IOCFG2 - GDO2 Output Pin Configuration

| Bit | Field Name | Reset | R/W | Description |
|-----|---------------|-------------|-----|---|
| 7 | | | R0 | Not used |
| 6 | GDO2_INV | 0 | R/W | Invert output, i.e. select active low (1) / high (0) |
| 5:0 | GDO2_CFG[5:0] | 41 (101001) | R/W | Default is <code>CHP_RDYn</code> (See Table 27 on page 35). |

0x01: IOCFG1 - GDO1 Output Pin Configuration

| Bit | Field Name | Reset | R/W | Description |
|-----|---------------|-------------|-----|--|
| 7 | GDO_DS | 0 | R/W | Set high (1) or low (0) output drive strength on the GDO pins. |
| 6 | GDO1_INV | 0 | R/W | Invert output, i.e. select active low (1) / high (0) |
| 5:0 | GDO1_CFG[5:0] | 46 (101110) | R/W | Default is 3-state (See Table 27 on page 35). |

0x02: IOCFG0 - GDO0 Output Pin Configuration

| Bit | Field Name | Reset | R/W | Description |
|-----|---------------|-------------|-----|--|
| 7 | | 0 | R/W | Use setting from SmartRF Studio [4] |
| 6 | GDO0_INV | 0 | R/W | Invert output, i.e. select active low (1) / high (0) |
| 5:0 | GDO0_CFG[5:0] | 63 (111111) | R/W | Default is <code>CLK_XOSC/192</code> (See Table 27 on page 35). It is recommended to disable the clock output in initialization, in order to optimize RF performance. |

0x03: FIFOTHR - TX FIFO Thresholds

| Bit | Field Name | Reset | R/W | Description | | | | | | | | | | | | | | | | | | | | | | | | | | | | | | | | | | |
|-----------|------------------|----------|-----|--|---------|------------------|----------|----|----------|----|----------|----|----------|----|----------|----|----------|----|----------|----|----------|----|----------|----|----------|----|-----------|----|-----------|----|-----------|----|-----------|---|-----------|---|-----------|---|
| 7:4 | | 0 (00) | R/W | Use setting from SmartRF Studio [4] | | | | | | | | | | | | | | | | | | | | | | | | | | | | | | | | | | |
| 3:0 | FIFO_THR[3:0] | 7 (0111) | R/W | Set the threshold for the TX FIFO. The threshold is exceeded when the number of bytes in the TX FIFO is equal to or higher than the threshold value. | | | | | | | | | | | | | | | | | | | | | | | | | | | | | | | | | | |
| | | | | <table border="1"> <thead> <tr> <th>Setting</th> <th>Bytes in TX FIFO</th> </tr> </thead> <tbody> <tr><td>0 (0000)</td><td>61</td></tr> <tr><td>1 (0001)</td><td>57</td></tr> <tr><td>2 (0010)</td><td>53</td></tr> <tr><td>3 (0011)</td><td>49</td></tr> <tr><td>4 (0100)</td><td>45</td></tr> <tr><td>5 (0101)</td><td>41</td></tr> <tr><td>6 (0110)</td><td>37</td></tr> <tr><td>7 (0111)</td><td>33</td></tr> <tr><td>8 (1000)</td><td>29</td></tr> <tr><td>9 (1001)</td><td>25</td></tr> <tr><td>10 (1010)</td><td>21</td></tr> <tr><td>11 (1011)</td><td>17</td></tr> <tr><td>12 (1100)</td><td>13</td></tr> <tr><td>13 (1101)</td><td>9</td></tr> <tr><td>14 (1110)</td><td>5</td></tr> <tr><td>15 (1111)</td><td>1</td></tr> </tbody> </table> | Setting | Bytes in TX FIFO | 0 (0000) | 61 | 1 (0001) | 57 | 2 (0010) | 53 | 3 (0011) | 49 | 4 (0100) | 45 | 5 (0101) | 41 | 6 (0110) | 37 | 7 (0111) | 33 | 8 (1000) | 29 | 9 (1001) | 25 | 10 (1010) | 21 | 11 (1011) | 17 | 12 (1100) | 13 | 13 (1101) | 9 | 14 (1110) | 5 | 15 (1111) | 1 |
| Setting | Bytes in TX FIFO | | | | | | | | | | | | | | | | | | | | | | | | | | | | | | | | | | | | | |
| 0 (0000) | 61 | | | | | | | | | | | | | | | | | | | | | | | | | | | | | | | | | | | | | |
| 1 (0001) | 57 | | | | | | | | | | | | | | | | | | | | | | | | | | | | | | | | | | | | | |
| 2 (0010) | 53 | | | | | | | | | | | | | | | | | | | | | | | | | | | | | | | | | | | | | |
| 3 (0011) | 49 | | | | | | | | | | | | | | | | | | | | | | | | | | | | | | | | | | | | | |
| 4 (0100) | 45 | | | | | | | | | | | | | | | | | | | | | | | | | | | | | | | | | | | | | |
| 5 (0101) | 41 | | | | | | | | | | | | | | | | | | | | | | | | | | | | | | | | | | | | | |
| 6 (0110) | 37 | | | | | | | | | | | | | | | | | | | | | | | | | | | | | | | | | | | | | |
| 7 (0111) | 33 | | | | | | | | | | | | | | | | | | | | | | | | | | | | | | | | | | | | | |
| 8 (1000) | 29 | | | | | | | | | | | | | | | | | | | | | | | | | | | | | | | | | | | | | |
| 9 (1001) | 25 | | | | | | | | | | | | | | | | | | | | | | | | | | | | | | | | | | | | | |
| 10 (1010) | 21 | | | | | | | | | | | | | | | | | | | | | | | | | | | | | | | | | | | | | |
| 11 (1011) | 17 | | | | | | | | | | | | | | | | | | | | | | | | | | | | | | | | | | | | | |
| 12 (1100) | 13 | | | | | | | | | | | | | | | | | | | | | | | | | | | | | | | | | | | | | |
| 13 (1101) | 9 | | | | | | | | | | | | | | | | | | | | | | | | | | | | | | | | | | | | | |
| 14 (1110) | 5 | | | | | | | | | | | | | | | | | | | | | | | | | | | | | | | | | | | | | |
| 15 (1111) | 1 | | | | | | | | | | | | | | | | | | | | | | | | | | | | | | | | | | | | | |

0x04: SYNC1 - Sync Word, High Byte

| Bit | Field Name | Reset | R/W | Description |
|-----|------------|------------|-----|---------------------------|
| 7:0 | SYNC[15:8] | 211 (0xD3) | R/W | 8 MSB of 16-bit sync word |

0x05: SYNC0 - Sync Word, Low Byte

| Bit | Field Name | Reset | R/W | Description |
|-----|------------|------------|-----|---------------------------|
| 7:0 | SYNC[7:0] | 145 (0x91) | R/W | 8 LSB of 16-bit sync word |

0x06: PKTLEN - Packet Length

| Bit | Field Name | Reset | R/W | Description |
|-----|---------------|------------|-----|---|
| 7:0 | PACKET_LENGTH | 255 (0xFF) | R/W | Indicates the packet length when fixed packet length mode is enabled. This value must be different from 0 |

0x08: PKTCTRL0 - Packet Automation Control

| Bit | Field Name | Reset | R/W | Description | | | | | | | | | | |
|---------|--|--------|-----|---|---------|-----------------------------|--------|--|--------|--|--------|---|--------|---|
| 7 | | | R0 | Not used | | | | | | | | | | |
| 6 | | 1 | R/W | Use setting from SmartRF Studio [4] | | | | | | | | | | |
| 5:4 | PKT_FORMAT[1:0] | 0 (00) | R/W | Format of TX data <table border="1" style="width: 100%; border-collapse: collapse;"> <thead> <tr> <th>Setting</th> <th>Packet format</th> </tr> </thead> <tbody> <tr> <td>0 (00)</td> <td>Normal mode, use TX FIFO</td> </tr> <tr> <td>1 (01)</td> <td>Synchronous serial mode, Data in on GDO0</td> </tr> <tr> <td>2 (10)</td> <td>Random TX mode; sends random data using PN9 generator. Used for test.</td> </tr> <tr> <td>3 (11)</td> <td>Asynchronous serial mode, Data in on GDO0</td> </tr> </tbody> </table> | Setting | Packet format | 0 (00) | Normal mode, use TX FIFO | 1 (01) | Synchronous serial mode, Data in on GDO0 | 2 (10) | Random TX mode; sends random data using PN9 generator. Used for test. | 3 (11) | Asynchronous serial mode, Data in on GDO0 |
| Setting | Packet format | | | | | | | | | | | | | |
| 0 (00) | Normal mode, use TX FIFO | | | | | | | | | | | | | |
| 1 (01) | Synchronous serial mode, Data in on GDO0 | | | | | | | | | | | | | |
| 2 (10) | Random TX mode; sends random data using PN9 generator. Used for test. | | | | | | | | | | | | | |
| 3 (11) | Asynchronous serial mode, Data in on GDO0 | | | | | | | | | | | | | |
| 3 | | 0 | R0 | Not used | | | | | | | | | | |
| 2 | CRC_EN | 1 | R/W | 1: CRC calculation enabled 0: CRC calculation disabled | | | | | | | | | | |
| 1:0 | LENGTH_CONFIG[1:0] | 1 (01) | R/W | Configure the packet length <table border="1" style="width: 100%; border-collapse: collapse;"> <thead> <tr> <th>Setting</th> <th>Packet length configuration</th> </tr> </thead> <tbody> <tr> <td>0 (00)</td> <td>Fixed packet length mode. Length configured in PKTLEN register</td> </tr> <tr> <td>1 (01)</td> <td>Variable packet length mode. Packet length configured by the first byte written to the TX FIFO</td> </tr> <tr> <td>2 (10)</td> <td>Infinite packet length mode</td> </tr> <tr> <td>3 (11)</td> <td>Reserved</td> </tr> </tbody> </table> | Setting | Packet length configuration | 0 (00) | Fixed packet length mode. Length configured in PKTLEN register | 1 (01) | Variable packet length mode. Packet length configured by the first byte written to the TX FIFO | 2 (10) | Infinite packet length mode | 3 (11) | Reserved |
| Setting | Packet length configuration | | | | | | | | | | | | | |
| 0 (00) | Fixed packet length mode. Length configured in PKTLEN register | | | | | | | | | | | | | |
| 1 (01) | Variable packet length mode. Packet length configured by the first byte written to the TX FIFO | | | | | | | | | | | | | |
| 2 (10) | Infinite packet length mode | | | | | | | | | | | | | |
| 3 (11) | Reserved | | | | | | | | | | | | | |

0x0A: CHANNR - Channel Number

| Bit | Field Name | Reset | R/W | Description |
|-----|------------|----------|-----|--|
| 7:0 | CHAN[7:0] | 0 (0x00) | R/W | The 8-bit unsigned channel number, which is multiplied by the channel spacing setting and added to the base frequency. |

0x0C: FSCTRL0 - Frequency Synthesizer Control

| Bit | Field Name | Reset | R/W | Description |
|-----|--------------|----------|-----|---|
| 7:0 | FREQOFF[7:0] | 0 (0x00) | R/W | Frequency offset added to the base frequency before being used by the frequency synthesizer. (2s-complement). Resolution is $F_{XTAL}/2^{14}$ (1.59kHz-1.65kHz); range is ± 202 kHz to ± 210 kHz, dependent of XTAL frequency. |

0x0D: FREQ2 - Frequency Control Word, High Byte

| Bit | Field Name | Reset | R/W | Description |
|-----|-------------|-------------|-----|---|
| 7:6 | FREQ[23:22] | 0 (00) | R | FREQ[23:22] is always 0 (the FREQ2 register is less than 36 with 26 - 27 MHz crystal) |
| 5:0 | FREQ[21:16] | 30 (011110) | R/W | FREQ[23:0] is the base frequency for the frequency synthesiser in increments of $f_{XOSC}/2^{16}$. $f_{carrier} = \frac{f_{XOSC}}{2^{16}} \cdot FREQ[23:0]$ |

0x0E: FREQ1 - Frequency Control Word, Middle Byte

| Bit | Field Name | Reset | R/W | Description |
|-----|------------|------------|-----|---------------------|
| 7:0 | FREQ[15:8] | 196 (0xC4) | R/W | Ref. FREQ2 register |

0x0F: FREQ0 - Frequency Control Word, Low Byte

| Bit | Field Name | Reset | R/W | Description |
|-----|------------|------------|-----|---------------------|
| 7:0 | FREQ[7:0] | 236 (0xEC) | R/W | Ref. FREQ2 register |

0x10: MDMCFG4 - Modem Configuration

| Bit | Field Name | Reset | R/W | Description |
|-----|--------------|-----------|-----|--|
| 7:4 | | 8 (1000) | R/W | Use setting from SmartRF Studio [4] |
| 3:0 | DRATE_E[3:0] | 12 (1100) | R/W | The exponent of the user specified symbol rate |

0x11: MDMCFG3 - Modem Configuration

| Bit | Field Name | Reset | R/W | Description |
|-----|--------------|-----------|-----|---|
| 7:0 | DRATE_M[7:0] | 34 (0x22) | R/W | <p>The mantissa of the user specified symbol rate. The symbol rate is configured using an unsigned, floating-point number with 9-bit mantissa and 4-bit exponent. The 9th bit is a hidden '1'. The resulting data rate is:</p> $R_{DATA} = \frac{(256 + DRATE_M) \cdot 2^{DRATE_E}}{2^{28}} \cdot f_{XOSC}$ <p>The default values give a data rate of 115.051 kBaud (closest setting to 115.2 kBaud), assuming a 26.0 MHz crystal.</p> |

0x12: MDMCFG2 - Modem Configuration

| Bit | Field Name | Reset | R/W | Description | |
|-------------------|-----------------|---------|-----|---|--------------------------|
| 7 | | 0 | R/W | Use setting from SmartRF Studio [4] | |
| 6:4 | MOD_FORMAT[2:0] | 0 (000) | R/W | The modulation format of the radio signal | |
| | | | | Setting | Modulation format |
| | | | | 0 (000) | 2-FSK |
| | | | | 1 (001) | GFSK |
| | | | | 2 (010) | Reserved |
| | | | | 3 (011) | OOK |
| | | | | 4 (100) | 4-FSK |
| | | | | 5 (101) | Reserved |
| | | | | 6 (110) | Reserved |
| 7 (111) | Reserved | | | | |
| | | | | 4-FSK modulation cannot be used together with Manchester encoding. | |
| 3 | MANCHESTER_EN | 0 | R/W | Enables Manchester encoding. 0 = Disable 1 = Enable Manchester encoding cannot be used when using asynchronous serial mode or 4-FSK modulation | |
| 2:0 | SYNC_MODE[2:0] | 2 (010) | R/W | Number of sync bits transmitted | |
| | | | | Setting | Sync-word qualifier mode |
| | | | | 0 (000) | No preamble/sync |
| | | | | 1 (001) | 16 bits sync word |
| | | | | 2 (010) | Reserved |
| | | | | 3 (011) | 32 bits sync word |
| 4 (100) - 7 (111) | Reserved | | | | |

0x13: MDMCFG1 - Modem Configuration

| Bit | Field Name | Reset | R/W | Description | |
|---------|-------------------|---------|-----|---|--------------------------|
| 7 | | 0 | R/W | Use setting from SmartRF Studio [4] | |
| 6:4 | NUM_PREAMBLE[2:0] | 2 (010) | R/W | Sets the minimum number of preamble bytes to be transmitted | |
| | | | | Setting | Number of preamble bytes |
| | | | | 0 (000) | 2 |
| | | | | 1 (001) | 3 |
| | | | | 2 (010) | 4 |
| | | | | 3 (011) | 6 |
| | | | | 4 (100) | 8 |
| | | | | 5 (101) | 12 |
| 6 (110) | 16 | | | | |
| 7 (111) | 24 | | | | |
| 3:2 | | | R0 | Not used | |
| 1:0 | CHANSPC_E[1:0] | 2 (10) | R/W | 2 bit exponent of channel spacing | |

0x14: MDMCFG0 - Modem Configuration

| Bit | Field Name | Reset | R/W | Description |
|-----|----------------|------------|-----|--|
| 7:0 | CHANSPC_M[7:0] | 248 (0xF8) | R/W | <p>8-bit mantissa of channel spacing. The channel spacing is multiplied by the channel number <code>CHAN</code> and added to the base frequency. It is unsigned and has the format:</p> $\Delta f_{CHANNEL} = \frac{f_{XOSC}}{2^{18}} \cdot (256 + CHANSPC_M) \cdot 2^{CHANSPC_E}$ <p>The default values give 199.951 kHz channel spacing (the closest setting to 200 kHz), assuming 26.0 MHz crystal frequency.</p> |

0x15: DEVIATN - Modem Deviation Setting

| Bit | Field Name | Reset | R/W | Description |
|-----|------------------|---------|-----|---|
| 7 | | | R0 | Not used. |
| 6:4 | DEVIATION_E[2:0] | 4 (100) | R/W | Deviation exponent. |
| 3 | | | R0 | Not used. |
| 2:0 | DEVIATION_M[2:0] | 7 (111) | R/W | <p>2-FSK/ GFSK/ 4-FSK</p> <p>Specifies the nominal frequency deviation from the carrier for a '0' (-DEVIATN) and '1' (+DEVIATN) in a mantissa-exponent format, interpreted as a 4-bit value with MSB implicit 1. The resulting frequency deviation is given by:</p> $f_{dev} = \frac{f_{XOSC}}{2^{17}} \cdot (8 + DEVIATION_M) \cdot 2^{DEVIATION_E}$ <p>The default values give ±47.607 kHz deviation assuming 26.0 MHz crystal frequency.</p> |
| | | | | OOK |

0x17: MCSM1 - Main Radio Control State Machine Configuration

| Bit | Field Name | Reset | R/W | Description | |
|--------|-----------------|----------|-----|---|--|
| 7:6 | | | R0 | Not used | |
| 5:2 | | 3 (1100) | R/W | Use setting from SmartRF Studio [4] | |
| 1:0 | TXOFF_MODE[1:0] | 0 (00) | R/W | Select what should happen when a packet has been sent | |
| | | | | Setting | Next state after finishing packet transmission |
| | | | | 0 (00) | IDLE |
| | | | | 1 (01) | FSTXON |
| | | | | 2 (10) | Stay in TX (start sending preamble) |
| 3 (11) | Reserved | | | | |

0x18: MCSM0 - Main Radio Control State Machine Configuration

| Bit | Field Name | Reset | R/W | Description | | | | | | | | | | | | | | | |
|---------|-----------------|---------------------------|-----|--|---------|--------------|--------------------------|--------|---|---------------------------|--------|----|-------------------------|--------|----|---------------------------|--------|-----|---------------------------|
| 7:6 | | | R0 | Not used | | | | | | | | | | | | | | | |
| 5:4 | FS_AUTOCAL[1:0] | 0 (00) | R/W | Automatically calibrate when going to to/from TX mode | | | | | | | | | | | | | | | |
| | | | | Setting When to perform automatic calibration | | | | | | | | | | | | | | | |
| | | | | 0 (00) Never (manually calibrate using <i>SCAL</i> strobe) | | | | | | | | | | | | | | | |
| | | | | 1 (01) When going from IDLE to TX or FSTXON | | | | | | | | | | | | | | | |
| | | | | 2 (10) When going from TX back to IDLE automatically | | | | | | | | | | | | | | | |
| | | | | 3 (11) Every 4 th time when going from TX to IDLE automatically | | | | | | | | | | | | | | | |
| 3:2 | PO_TIMEOUT | 1 (01) | R/W | <p>Programs the number of times the six-bit ripple counter must expire after the XOSC has settled before <i>CHP_RDYn</i> goes low.³</p> <p>If XOSC is on (stable) during power-down, <i>PO_TIMEOUT</i> shall be set so that the regulated digital supply voltage has time to stabilize before <i>CHP_RDYn</i> goes low (<i>PO_TIMEOUT</i>=2 recommended). Typical start-up time for the voltage regulator is 50 μs.</p> <p>For robust operation it is recommended to use <i>PO_TIMEOUT</i> = 2 or 3 when XOSC is off during power-down.</p> <table border="1"> <thead> <tr> <th>Setting</th> <th>Expire count</th> <th>Timeout after XOSC start</th> </tr> </thead> <tbody> <tr> <td>0 (00)</td> <td>1</td> <td>Approx. 2.3 - 2.4 μs</td> </tr> <tr> <td>1 (01)</td> <td>16</td> <td>Approx. 37 - 39 μs</td> </tr> <tr> <td>2 (10)</td> <td>64</td> <td>Approx. 149 - 155 μs</td> </tr> <tr> <td>3 (11)</td> <td>256</td> <td>Approx. 597 - 620 μs</td> </tr> </tbody> </table> <p>Exact timeout depends on crystal frequency.</p> | Setting | Expire count | Timeout after XOSC start | 0 (00) | 1 | Approx. 2.3 - 2.4 μ s | 1 (01) | 16 | Approx. 37 - 39 μ s | 2 (10) | 64 | Approx. 149 - 155 μ s | 3 (11) | 256 | Approx. 597 - 620 μ s |
| Setting | Expire count | Timeout after XOSC start | | | | | | | | | | | | | | | | | |
| 0 (00) | 1 | Approx. 2.3 - 2.4 μ s | | | | | | | | | | | | | | | | | |
| 1 (01) | 16 | Approx. 37 - 39 μ s | | | | | | | | | | | | | | | | | |
| 2 (10) | 64 | Approx. 149 - 155 μ s | | | | | | | | | | | | | | | | | |
| 3 (11) | 256 | Approx. 597 - 620 μ s | | | | | | | | | | | | | | | | | |
| 1 | | 0 | R/W | | | | | | | | | | | | | | | | |
| 0 | XOSC_FORCE_ON | 0 | R/W | Force the XOSC to stay on in the SLEEP state. | | | | | | | | | | | | | | | |

0x20: RESERVED

| Bit | Field Name | Reset | R/W | Description |
|-----|------------|------------|-----|-------------------------------------|
| 7:3 | | 31 (11111) | R/W | Use setting from SmartRF Studio [4] |
| 2 | | | R0 | Not used |
| 1:0 | | 0 (00) | R/W | See SmartRF Studio [4] for setting |

³ Note that the XOSC_STABLE signal will be asserted at the same time as the *CHIP_RDYn* signal; i.e. the *PO_TIMEOUT* delays both signals and does not insert a delay between the signals.

0x22: FRENDO - Front End TX Configuration

| Bit | Field Name | Reset | R/W | Description |
|-----|---------------------------|---------|-----|--|
| 7:6 | | | R0 | Not used |
| 5:4 | LODIV_BUF_CURRENT_TX[1:0] | 1 (01) | R/W | Adjusts current TX LO buffer (input to PA). The value to use in this field is given by the SmartRF Studio software [4]. |
| 3 | | | R0 | Not used |
| 2:0 | PA_POWER[2:0] | 0 (000) | R/W | Selects PA power setting. This value is an index to the <code>PATABLE</code> , which can be programmed with up to 2 different PA settings. When using OOK, <code>PA_POWER</code> should be 001, and for all other modulation formats it should be 000. Please see Sections 10.6 and Section 20 for more details. |

0x23: FSCAL3 - Frequency Synthesizer Calibration

| Bit | Field Name | Reset | R/W | Description |
|-----|----------------------|----------|-----|---|
| 7:6 | FSCAL3[7:6] | 2 (10) | R/W | Frequency synthesizer calibration configuration. The value to write in this field before calibration is given by the SmartRF Studio software [4]. |
| 5:4 | CHP_CURR_CAL_EN[1:0] | 2 (10) | R/W | Disable charge pump calibration stage when 0. |
| 3:0 | FSCAL3[3:0] | 9 (1001) | R/W | Frequency synthesizer calibration result register. Digital bit vector defining the charge pump output current, on an exponential scale: $I_{OUT} = I_0 \cdot 2^{FSCAL3[3:0]/4}$. Please see Section 23.2 for more details. |

0x24: FSCAL2 - Frequency Synthesizer Calibration

| Bit | Field Name | Reset | R/W | Description |
|-----|---------------|------------|-----|---|
| 7:6 | | | R0 | Not used |
| 5 | VCO_CORE_H_EN | 0 | R/W | Choose high (1) / low (0) VCO |
| 4:0 | FSCAL2[4:0] | 10 (01010) | R/W | Frequency synthesizer calibration result register. VCO current calibration result and override value. Please see Section 23.2 for more details. |

0x25: FSCAL1 - Frequency Synthesizer Calibration

| Bit | Field Name | Reset | R/W | Description |
|-----|-------------|-----------|-----|---|
| 7:6 | | | R0 | Not used |
| 5:0 | FSCAL1[5:0] | 32 (0x20) | R/W | Frequency synthesizer calibration result register. Capacitor array setting for VCO coarse tuning. Please see Section 23.2 for more details. |

0x26: FSCAL0 - Frequency Synthesizer Calibration

| Bit | Field Name | Reset | R/W | Description |
|-----|-------------|-----------|-----|---|
| 7 | | | R0 | Not used |
| 6:0 | FSCAL0[6:0] | 13 (0x0D) | R/W | Frequency synthesizer calibration control. The value to use in this register is given by the SmartRF Studio software [4]. |

24.2 Configuration Register Details - Registers that Loose Programming in SLEEP State

0x29: RESERVED

| Bit | Field Name | Reset | R/W | Description |
|-----|------------|-----------|-----|-------------------------------------|
| 7:0 | | 89 (0x59) | R/W | Use setting from SmartRF Studio [4] |

0x2A: RESERVED

| Bit | Field Name | Reset | R/W | Description |
|-----|------------|------------|-----|-------------------------------------|
| 7:0 | | 127 (0x7F) | R/W | Use setting from SmartRF Studio [4] |

0x2B: RESERVED

| Bit | Field Name | Reset | R/W | Description |
|-----|------------|-----------|-----|-------------------------------------|
| 7:0 | | 63 (0x3F) | R/W | Use setting from SmartRF Studio [4] |

0x2C: TEST2 - Various Test Settings

| Bit | Field Name | Reset | R/W | Description |
|-----|------------|------------|-----|-------------------------------------|
| 7:0 | TEST2[7:0] | 136 (0x88) | R/W | Use setting from SmartRF Studio [4] |

0x2D: TEST1 - Various Test Settings

| Bit | Field Name | Reset | R/W | Description |
|-----|------------|-----------|-----|-------------------------------------|
| 7:0 | TEST1[7:0] | 49 (0x31) | R/W | Use setting from SmartRF Studio [4] |

0x2E: TEST0 - Various Test Settings

| Bit | Field Name | Reset | R/W | Description |
|-----|----------------|------------|-----|---|
| 7:2 | TEST0[7:2] | 2 (000010) | R/W | Use setting from SmartRF Studio [4] |
| 1 | VCO_SEL_CAL_EN | 1 | R/W | Enable VCO selection calibration stage when 1 |
| 0 | TEST0[0] | 1 | R/W | Use setting from SmartRF Studio [4] |

24.3 Status Register Details

0x30 (0xF0): PARTNUM - Chip ID

| Bit | Field Name | Reset | R/W | Description |
|-----|--------------|----------|-----|------------------|
| 7:0 | PARTNUM[7:0] | 0 (0x00) | R | Chip part number |

0x31 (0xF1): VERSION - Chip ID

| Bit | Field Name | Reset | R/W | Description |
|-----|--------------|----------|-----|----------------------|
| 7:0 | VERSION[7:0] | 9 (0x09) | R | Chip version number. |

0x35 (0xF5): MARCSTATE - Main Radio Control State Machine State

| Bit | Field Name | Reset | R/W | Description | | | |
|-----|-----------------|-------|-----|---|------------------|----------------------------|--|
| 7:5 | | | R0 | Not used | | | |
| 4:0 | MARC_STATE[4:0] | | R | Main Radio Control FSM State | | | |
| | | | | Value | State name | State (Figure 13, page 27) | |
| | | | | 0 (0x00) | SLEEP | SLEEP | |
| | | | | 1 (0x01) | IDLE | IDLE | |
| | | | | 2 (0x02) | XOFF | XOFF | |
| | | | | 3 (0x03) | VCOON_MC | MANCAL | |
| | | | | 4 (0x04) | REGON_MC | MANCAL | |
| | | | | 5 (0x05) | MANCAL | MANCAL | |
| | | | | 6 (0x06) | VCOON | FS_WAKEUP | |
| | | | | 7 (0x07) | REGON | FS_WAKEUP | |
| | | | | 8 (0x08) | STARTCAL | CALIBRATE | |
| | | | | 9 (0x09) | BWBOOST | SETTLING | |
| | | | | 10 (0x0A) | FS_LOCK | SETTLING | |
| | | | | 11 (0x0B) | Reserved | | |
| | | | | 12 (0x0C) | ENDCAL | CALIBRATE | |
| | | | | 13 (0x0D) - 17 (0x11) | Reserved | | |
| | | | | 18 (0x12) | FSTXON | FSTXON | |
| | | | | 19 (0x13) | TX | TX | |
| | | | | 20 (0x14) | TX_END | TX | |
| | | | | 21 (0x15) | Reserved | | |
| | | | | 22 (0x16) | TXFIFO_UNDERFLOW | TXFIFO_UNDERFLOW | |
| | | | | Note: it is not possible to read back the SLEEP or XOFF state numbers because setting CSn low will make the chip enter the IDLE mode from the SLEEP or XOFF states. | | | |

0x38 (0xF8): PKTSTATUS - Current GDOx Status and Packet Status

| Bit | Field Name | Reset | R/W | Description |
|-----|------------|-------|-----|--|
| 7:3 | | | R | Reserved |
| 2 | GDO2 | | R | Current GDO2 value. Note: the reading gives the non-inverted value irrespective of what IOCFG2.GDO2_INV is programmed to. It is not recommended to check for PLL lock by reading PKTSTATUS[2] with GDO2_CFG=0x0A. |
| 1 | | | R0 | Not used |
| 0 | GDO0 | | R | Current GDO0 value. Note: the reading gives the non-inverted value irrespective of what IOCFG0.GDO0_INV is programmed to. It is not recommended to check for PLL lock by reading PKTSTATUS[0] with GDO0_CFG=0x0A. |

0x3A (0xFA): TXBYTES - Underflow and Number of Bytes

| Bit | Field Name | Reset | R/W | Description |
|-----|------------------|-------|-----|----------------------------|
| 7 | TXFIFO_UNDERFLOW | | R | |
| 6:0 | NUM_TXBYTES | | R | Number of bytes in TX FIFO |

25 Development Kit Ordering Information

| Orderable Evaluation Module | Description | Minimum Order Quantity |
|-----------------------------|---------------------------------------|------------------------|
| CC11xLDK-868-915 | CC11xL Development Kit, 868/915 MHz | 1 |
| CC11xLEMK-433 | CC11xL Evaluation Module Kit, 433 MHz | 1 |

Figure 18: Development Kit Ordering Information

26 References

- [1] Characterization Design 315 - 433 MHz
(Identical to the CC1101EM 315 - 433 MHz Reference Design (swrr046.zip))
- [2] Characterization Design 868 - 915 MHz
(Identical to the CC1101EM 868 - 915 MHz Reference Design (swrr045.zip))
- [3] CC115L Errata Notes (swrz036.pdf)
- [4] SmartRF Studio (swrc176.zip)
- [5] DN017 CC11xx 868/915 MHz RF Matching (swra168.pdf)
- [6] DN006 CC11xx Settings for FCC 15.247 Solutions (swra123.pdf)
- [7] DN013 Programming Output Power on CC1101 (swra168.pdf)
- [8] CC1190 Data Sheet (swrs08.pdf)
- [9] DN032 Options for Cost Optimizes CC11xx Matching (swra346.pdf)
- [10] CC110LEM / CC115LEM 433 MHz Reference Design (swrr081.zip)
- [11] CC110LEM / CC115LEM 868 - 915 MHz Reference Design (swrr082.zip)

27 General Information

27.1 Document History

| Revision | Date | Description/Changes |
|----------|------------|--|
| SWRA105 | 05.24.2011 | Initial Release |
| SWRS105A | 08.09.2011 | Added two registers (CHANNR and MDMCFG0) in addition to the MDMCFG1, CHANSFC_E register field. Changes made to Section 17. Hyperlinks added to the CC110LEM / CC115LEM 433 MHz Reference Design and the CC110LEM / CC115LEM 868 - 915 MHz Reference Design |

Table 32: Document History

PACKAGING INFORMATION

| Orderable Device | Status (1) | Package Type | Package Drawing | Pins | Package Qty | Eco Plan (2) | Lead/Ball Finish | MSL Peak Temp (3) | Op Temp (°C) | Top-Side Markings (4) | Samples |
|------------------|---------------|--------------|-----------------|------|-------------|-------------------------|------------------|----------------------|--------------|--------------------------|-------------------------|
| CC115LRGPR | ACTIVE | QFN | RGP | 20 | 3000 | Green (RoHS & no Sb/Br) | CU NIPDAU | Level-3-260C-168 HR | -40 to 85 | CC115L | Samples |
| CC115LRGPT | ACTIVE | QFN | RGP | 20 | 250 | Green (RoHS & no Sb/Br) | CU NIPDAU | Level-3-260C-168 HR | -40 to 85 | CC115L | Samples |

(1) The marketing status values are defined as follows:

ACTIVE: Product device recommended for new designs.

LIFEBUY: TI has announced that the device will be discontinued, and a lifetime-buy period is in effect.

NRND: Not recommended for new designs. Device is in production to support existing customers, but TI does not recommend using this part in a new design.

PREVIEW: Device has been announced but is not in production. Samples may or may not be available.

OBSOLETE: TI has discontinued the production of the device.

(2) Eco Plan - The planned eco-friendly classification: Pb-Free (RoHS), Pb-Free (RoHS Exempt), or Green (RoHS & no Sb/Br) - please check <http://www.ti.com/productcontent> for the latest availability information and additional product content details.

TBD: The Pb-Free/Green conversion plan has not been defined.

Pb-Free (RoHS): TI's terms "Lead-Free" or "Pb-Free" mean semiconductor products that are compatible with the current RoHS requirements for all 6 substances, including the requirement that lead not exceed 0.1% by weight in homogeneous materials. Where designed to be soldered at high temperatures, TI Pb-Free products are suitable for use in specified lead-free processes.

Pb-Free (RoHS Exempt): This component has a RoHS exemption for either 1) lead-based flip-chip solder bumps used between the die and package, or 2) lead-based die adhesive used between the die and leadframe. The component is otherwise considered Pb-Free (RoHS compatible) as defined above.

Green (RoHS & no Sb/Br): TI defines "Green" to mean Pb-Free (RoHS compatible), and free of Bromine (Br) and Antimony (Sb) based flame retardants (Br or Sb do not exceed 0.1% by weight in homogeneous material)

(3) MSL, Peak Temp. -- The Moisture Sensitivity Level rating according to the JEDEC industry standard classifications, and peak solder temperature.

(4) Multiple Top-Side Markings will be inside parentheses. Only one Top-Side Marking contained in parentheses and separated by a "~" will appear on a device. If a line is indented then it is a continuation of the previous line and the two combined represent the entire Top-Side Marking for that device.

Important Information and Disclaimer: The information provided on this page represents TI's knowledge and belief as of the date that it is provided. TI bases its knowledge and belief on information provided by third parties, and makes no representation or warranty as to the accuracy of such information. Efforts are underway to better integrate information from third parties. TI has taken and continues to take reasonable steps to provide representative and accurate information but may not have conducted destructive testing or chemical analysis on incoming materials and chemicals. TI and TI suppliers consider certain information to be proprietary, and thus CAS numbers and other limited information may not be available for release.

In no event shall TI's liability arising out of such information exceed the total purchase price of the TI part(s) at issue in this document sold by TI to Customer on an annual basis.

TAPE AND REEL INFORMATION

QUADRANT ASSIGNMENTS FOR PIN 1 ORIENTATION IN TAPE


*All dimensions are nominal

| Device | Package Type | Package Drawing | Pins | SPQ | Reel Diameter (mm) | Reel Width W1 (mm) | A0 (mm) | B0 (mm) | K0 (mm) | P1 (mm) | W (mm) | Pin1 Quadrant |
|------------|--------------|-----------------|------|------|--------------------|--------------------|---------|---------|---------|---------|--------|---------------|
| CC115LRGPR | QFN | RGP | 20 | 3000 | 330.0 | 12.4 | 4.3 | 4.3 | 1.5 | 8.0 | 12.0 | Q2 |
| CC115LRGPT | QFN | RGP | 20 | 250 | 180.0 | 12.4 | 4.3 | 4.3 | 1.5 | 8.0 | 12.0 | Q2 |

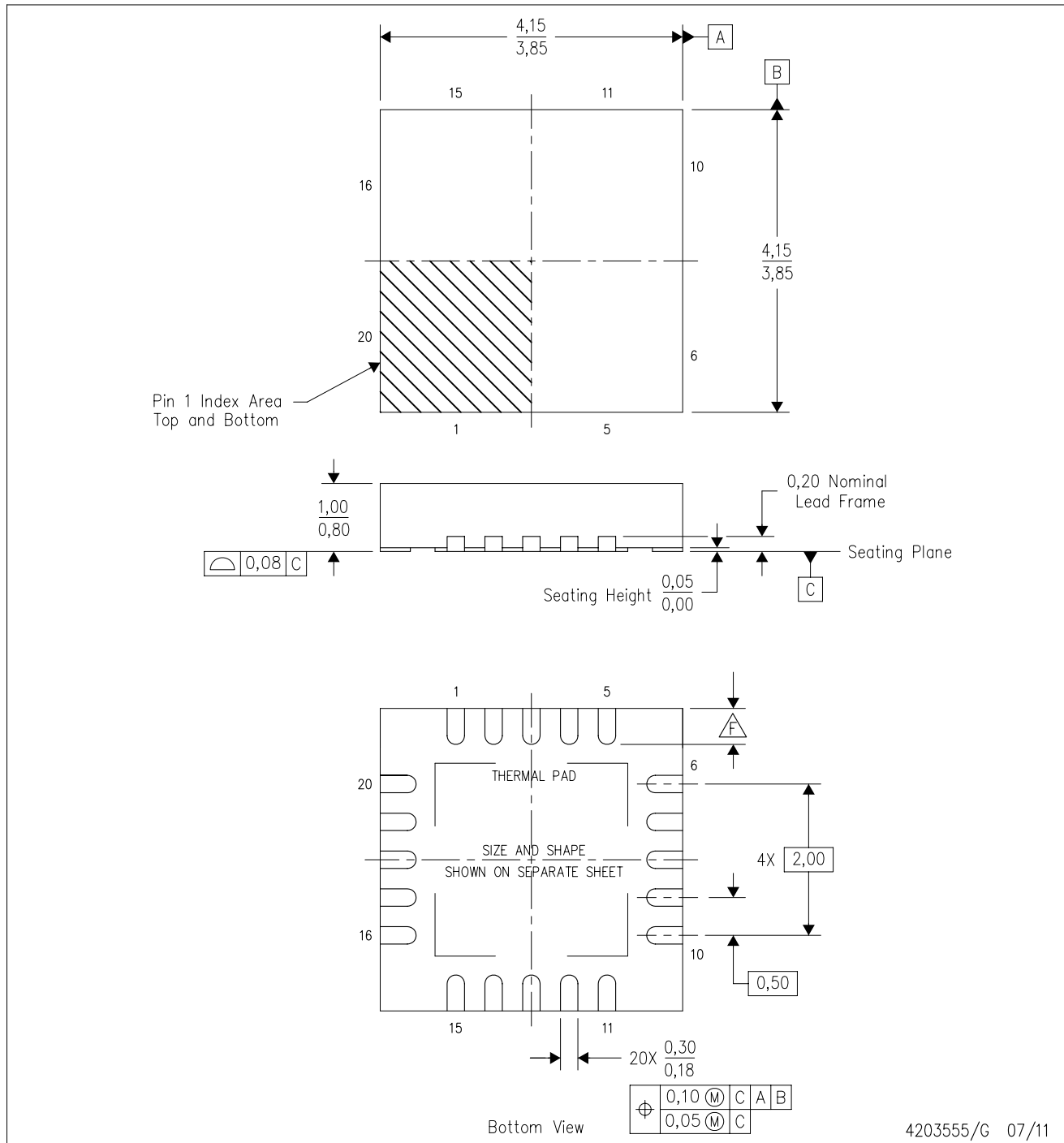
TAPE AND REEL BOX DIMENSIONS


*All dimensions are nominal

| Device | Package Type | Package Drawing | Pins | SPQ | Length (mm) | Width (mm) | Height (mm) |
|------------|--------------|-----------------|------|------|-------------|------------|-------------|
| CC115LRGPR | QFN | RGP | 20 | 3000 | 338.1 | 338.1 | 20.6 |
| CC115LRGPT | QFN | RGP | 20 | 250 | 210.0 | 185.0 | 35.0 |

RGP (S-PVQFN-N20)

PLASTIC QUAD FLATPACK NO-LEAD



- NOTES:
- All linear dimensions are in millimeters. Dimensioning and tolerancing per ASME Y14.5M-1994.
 - This drawing is subject to change without notice.
 - QFN (Quad Flatpack No-Lead) package configuration.
 - The package thermal pad must be soldered to the board for thermal and mechanical performance.
 - See the additional figure in the Product Data Sheet for details regarding the exposed thermal pad features and dimensions.
- Check thermal pad mechanical drawing in the product datasheet for nominal lead length dimensions.

THERMAL PAD MECHANICAL DATA

RGP (S-PVQFN-N20)

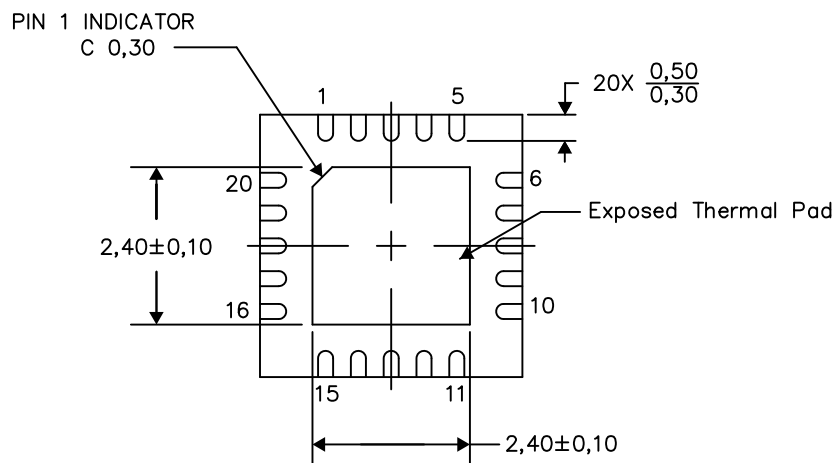
PLASTIC QUAD FLATPACK NO-LEAD

THERMAL INFORMATION

This package incorporates an exposed thermal pad that is designed to be attached directly to an external heatsink. The thermal pad must be soldered directly to the printed circuit board (PCB). After soldering, the PCB can be used as a heatsink. In addition, through the use of thermal vias, the thermal pad can be attached directly to the appropriate copper plane shown in the electrical schematic for the device, or alternatively, can be attached to a special heatsink structure designed into the PCB. This design optimizes the heat transfer from the integrated circuit (IC).

For information on the Quad Flatpack No-Lead (QFN) package and its advantages, refer to Application Report, QFN/SON PCB Attachment, Texas Instruments Literature No. SLUA271. This document is available at www.ti.com.

The exposed thermal pad dimensions for this package are shown in the following illustration.



Bottom View

Exposed Thermal Pad Dimensions

4206346-7/Z 04/13

NOTES: A. All linear dimensions are in millimeters

IMPORTANT NOTICE

Texas Instruments Incorporated and its subsidiaries (TI) reserve the right to make corrections, enhancements, improvements and other changes to its semiconductor products and services per JESD46, latest issue, and to discontinue any product or service per JESD48, latest issue. Buyers should obtain the latest relevant information before placing orders and should verify that such information is current and complete. All semiconductor products (also referred to herein as "components") are sold subject to TI's terms and conditions of sale supplied at the time of order acknowledgment.

TI warrants performance of its components to the specifications applicable at the time of sale, in accordance with the warranty in TI's terms and conditions of sale of semiconductor products. Testing and other quality control techniques are used to the extent TI deems necessary to support this warranty. Except where mandated by applicable law, testing of all parameters of each component is not necessarily performed.

TI assumes no liability for applications assistance or the design of Buyers' products. Buyers are responsible for their products and applications using TI components. To minimize the risks associated with Buyers' products and applications, Buyers should provide adequate design and operating safeguards.

TI does not warrant or represent that any license, either express or implied, is granted under any patent right, copyright, mask work right, or other intellectual property right relating to any combination, machine, or process in which TI components or services are used. Information published by TI regarding third-party products or services does not constitute a license to use such products or services or a warranty or endorsement thereof. Use of such information may require a license from a third party under the patents or other intellectual property of the third party, or a license from TI under the patents or other intellectual property of TI.

Reproduction of significant portions of TI information in TI data books or data sheets is permissible only if reproduction is without alteration and is accompanied by all associated warranties, conditions, limitations, and notices. TI is not responsible or liable for such altered documentation. Information of third parties may be subject to additional restrictions.

Resale of TI components or services with statements different from or beyond the parameters stated by TI for that component or service voids all express and any implied warranties for the associated TI component or service and is an unfair and deceptive business practice. TI is not responsible or liable for any such statements.

Buyer acknowledges and agrees that it is solely responsible for compliance with all legal, regulatory and safety-related requirements concerning its products, and any use of TI components in its applications, notwithstanding any applications-related information or support that may be provided by TI. Buyer represents and agrees that it has all the necessary expertise to create and implement safeguards which anticipate dangerous consequences of failures, monitor failures and their consequences, lessen the likelihood of failures that might cause harm and take appropriate remedial actions. Buyer will fully indemnify TI and its representatives against any damages arising out of the use of any TI components in safety-critical applications.

In some cases, TI components may be promoted specifically to facilitate safety-related applications. With such components, TI's goal is to help enable customers to design and create their own end-product solutions that meet applicable functional safety standards and requirements. Nonetheless, such components are subject to these terms.

No TI components are authorized for use in FDA Class III (or similar life-critical medical equipment) unless authorized officers of the parties have executed a special agreement specifically governing such use.

Only those TI components which TI has specifically designated as military grade or "enhanced plastic" are designed and intended for use in military/aerospace applications or environments. Buyer acknowledges and agrees that any military or aerospace use of TI components which have **not** been so designated is solely at the Buyer's risk, and that Buyer is solely responsible for compliance with all legal and regulatory requirements in connection with such use.

TI has specifically designated certain components as meeting ISO/TS16949 requirements, mainly for automotive use. In any case of use of non-designated products, TI will not be responsible for any failure to meet ISO/TS16949.

Products

| | |
|------------------------------|--|
| Audio | www.ti.com/audio |
| Amplifiers | amplifier.ti.com |
| Data Converters | dataconverter.ti.com |
| DLP® Products | www.dlp.com |
| DSP | dsp.ti.com |
| Clocks and Timers | www.ti.com/clocks |
| Interface | interface.ti.com |
| Logic | logic.ti.com |
| Power Mgmt | power.ti.com |
| Microcontrollers | microcontroller.ti.com |
| RFID | www.ti-rfid.com |
| OMAP Applications Processors | www.ti.com/omap |
| Wireless Connectivity | www.ti.com/wirelessconnectivity |

Applications

| | |
|-------------------------------|--|
| Automotive and Transportation | www.ti.com/automotive |
| Communications and Telecom | www.ti.com/communications |
| Computers and Peripherals | www.ti.com/computers |
| Consumer Electronics | www.ti.com/consumer-apps |
| Energy and Lighting | www.ti.com/energy |
| Industrial | www.ti.com/industrial |
| Medical | www.ti.com/medical |
| Security | www.ti.com/security |
| Space, Avionics and Defense | www.ti.com/space-avionics-defense |
| Video and Imaging | www.ti.com/video |

TI E2E Community

e2e.ti.com