

BOM LIST			
ITEM	PART NAME	Q'ty	NOTES
1	PLASTIC HOOD	2	ABS
2	2.1 LONG BOLT	2	#4-40
	2.2 SHORT BOLT	2	#4-40
3	NUT	2	M3
4	LONG SCREW	2	M3
5	SMALL WASHER	2	
6	SHORT SCREW	2	M3
7	7.1 METAL WASHER	2	M3
	7.2 PLASTIC-1 WASHER	2	ABS
	7.3 PLASTIC-2 WASHER	2	ABS

REV.	DESCRIPTION	DRAWN	CHECKED	APPROVED
A	NEW RELEASE	LJH 08/13/05'	~	LJC 08/13/05'
B	整理图画	YCH 09/13/07'	~	LJC 09/13/07'
C	整理英制短螺丝尺寸	YCH 07/18/08'	~	LJC 07/18/08'
D	增加“全包装”类型	YCH 05/20/10'	~	LJC 05/20/10'
E	改M3*12的螺钉为M3*10	YCH 08/30/10'	~	

NOTES:

1. Hardwares are all Nickel plated.

2. PART NUMBER CODE:

DS1045 - 09 X X X X X

Washer type
 1: Metal
 2: Plastic-1(Lock type)
 3: Plastic-2(Screw type)

Bolt type
 L: Long
 S: Short
 Packing type
 1: Mix packing
 2: Separation packing
 Q: Full packing

Cover Material
 P: Plastic(ABS)

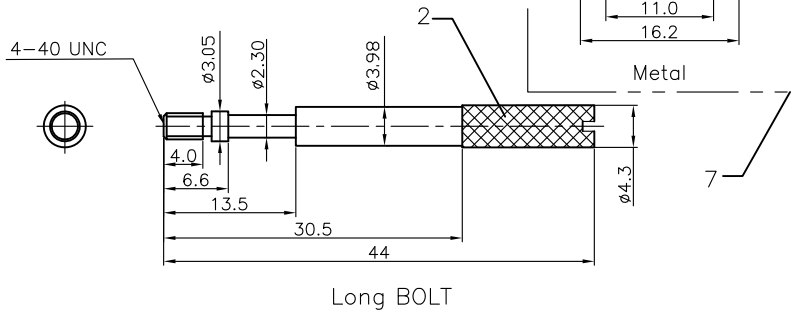
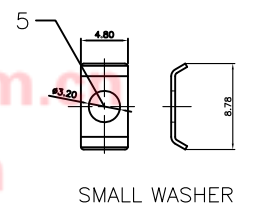
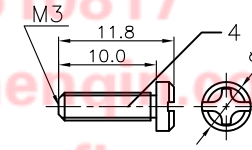
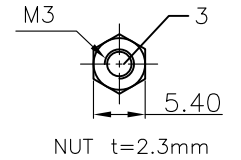
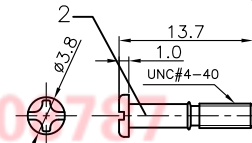
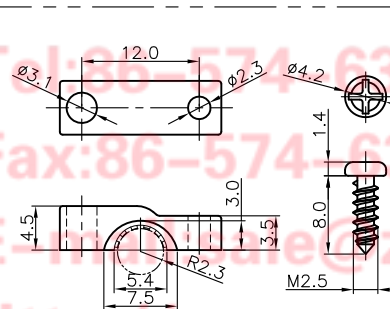
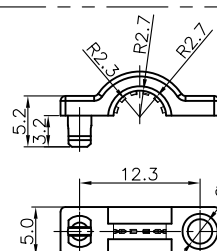
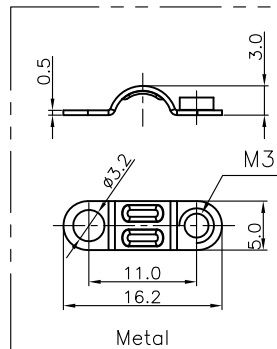
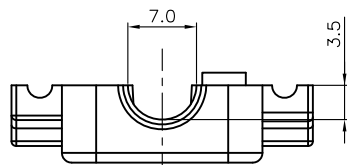
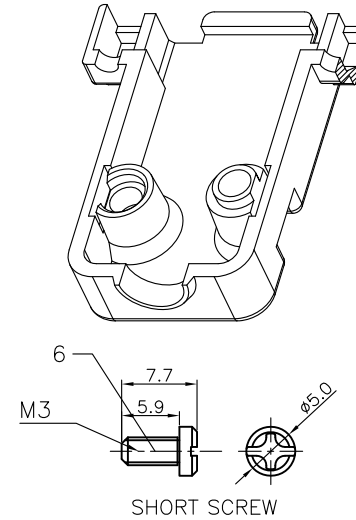
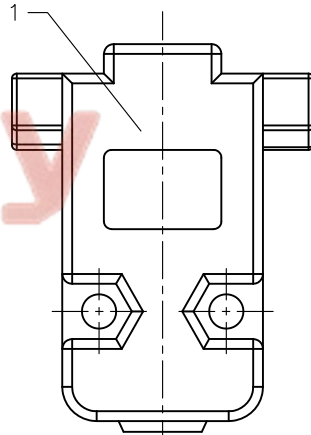
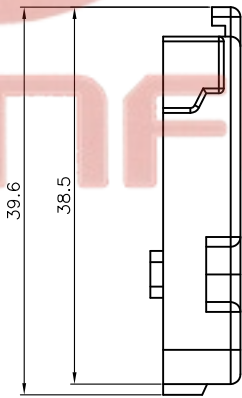
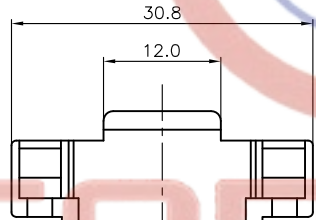
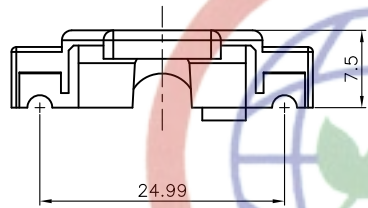
Cover Color

A: Gray
 B: Black

V: Ivory

Position

09: 9pin



GENERAL TOLERANCE	ANGLE TOLERANCE
X. ±0.60	X. ±5°
.X ±0.38	.X ±3°
.XX ±0.25	.XX ±2°

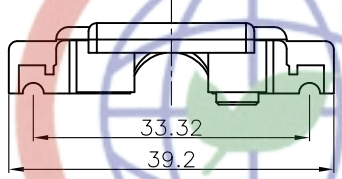
PROJECTION	TITLE
UNITS mm	D-SUB 9pin Hood
SHEET SIZE A4	SERIES DS1045 SERIES

DRAWING TYPE	CUSTOMER
SCALE 1:1	SHEET 1 OF 1
DRAWING NO. C-DS1045-09XXXX-E	



晨翔电子有限公司

CONNFLY CONNFLY ELECTRONIC CO. LTD

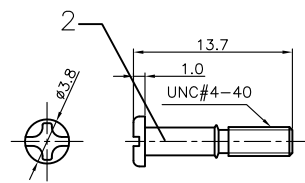
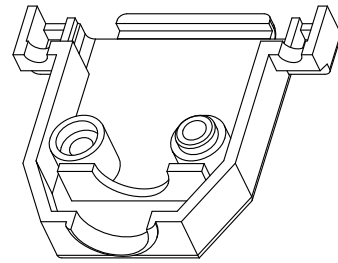


BOM LIST			
ITEM	PART NAME	Q'ty	NOTES
1	PLASTIC HOOD	2	ABS
2	2.1 LONG BOLT	2	#4-40
	2.2 SHORT BOLT	2	#4-40
3	NUT	2	M3
4	LONG SCREW	2	M3
5	SMALL WASHER	2	
6	SHORT SCREW	2	M3
7	7.1 METAL WASHER	2	M3
	7.2 PLASTIC-1 WASHER	2	ABS
	7.3 PLASTIC-2 WASHER	2	ABS

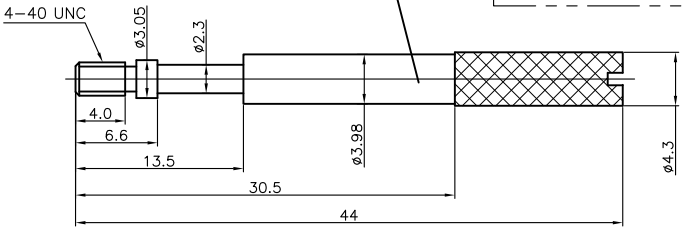
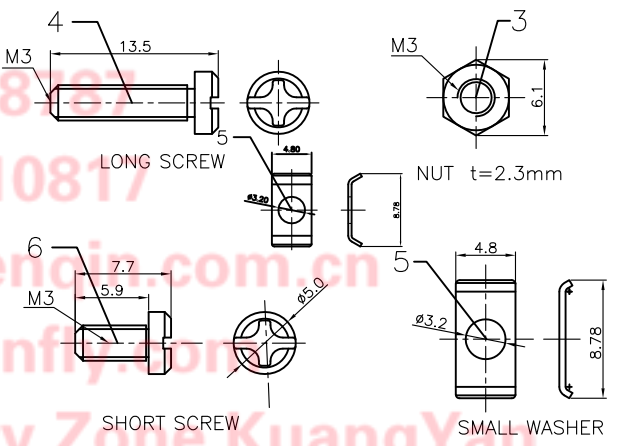
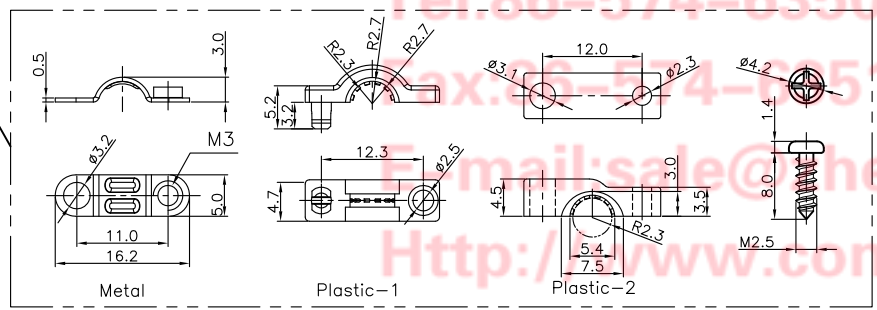
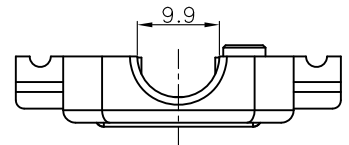
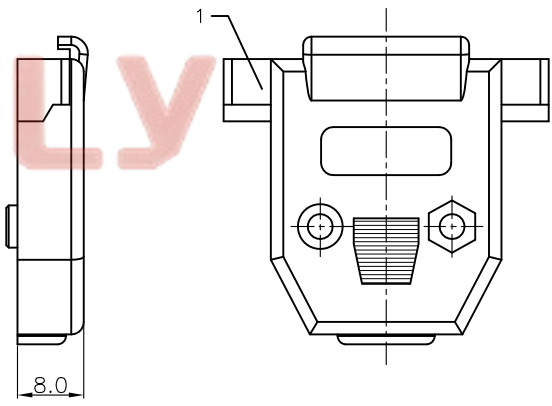
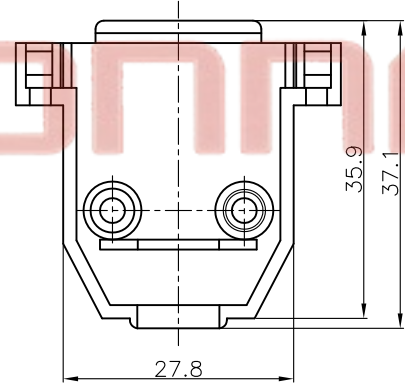
REV.	DESCRIPTION	DRAWN	CHECKED	APPROVED
A	NEW RELEASE	LJH 05/18/05'	~	LJC 05/18/05'
B	整理图画	YCH 09/13/07'	~	LJC 09/13/07'
C	整理英制短螺丝尺寸	YCH 07/18/08'	~	LJC 07/18/08'
D	增加“全包装”类型	YCH 05/20/10'	~	

NOTES:
 1. Hardwares are all Nickel plated.
 2. PART NUMBER CODE:

DS1045 - 15 X X X X X
 Washer type
 1: Metal
 2: Plastic-1(Lock type)
 3: Plastic-2(Screw type)
 Bolt type
 L: Long
 S: Short
 Packing type
 1: Mix packing
 2: Separation packing
 Q: Full packing
 Cover Material
 P: Plastic(ABS)
 Cover Color
 A: Gray
 B: Black
 V: Ivory
 Position
 15: 15pin



Short BOLT



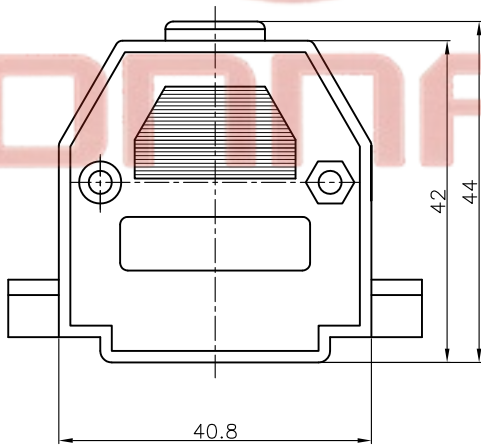
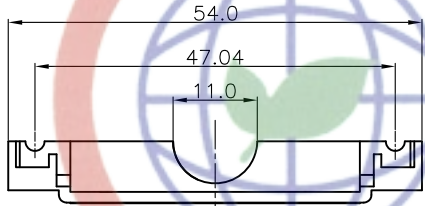
Long BOLT

GENERAL TOLERANCE	ANGLE TOLERANCE
X. ±0.60	X. ±5°
.X ±0.38	.X ±3°
.XX ±0.25	.XX ±2°

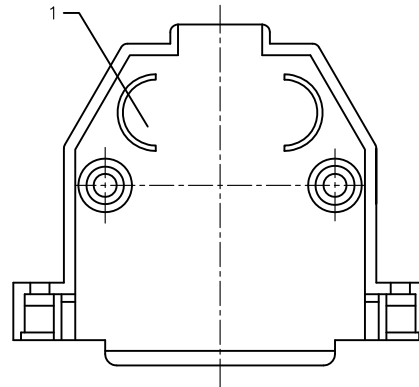
PROJECTION	TITLE
mm	D-SUB 15pin Hood
SHEET SIZE	SERIES
A4	DS1045 SERIES

DRAWING TYPE	CUSTOMER
SCALE	1:1 SHEET 1 OF 1
DRAWING NO.	C-DS1045-15XXXXX-D

晨翔电子有限公司
CONNFLY CONNFLY ELECTRONIC CO. LTD



BOM LIST			
ITEM	PART NAME	Q'ty	NOTES
1	PLASTIC HOOD	2	ABS
2	2.1 LONG BOLT	2	#4-40
	2.2 SHORT BOLT	2	#4-40
3	NUT	2	M3
4	LONG SCREW	2	M3
5	SMALL WASHER	2	
6	SHORT SCREW	2	M3
7	7.1 METAL WASHER	2	M3
	7.2 PLASTIC-1 WASHER	2	ABS
	7.3 PLASTIC-2 WASHER	2	ABS



REV.	DESCRIPTION	DRAWN	CHECKED	APPROVED
A	NEW RELEASE	LJH 10/26/05'	~	LJC 10/26/05'
B	整理图画	YCH 09/13/07'	~	LJC 09/13/07'
C	整理英制短螺丝尺寸	YCH 07/18/08'	~	LJC 07/18/08'
D	增加“全包装”类型	YCH 05/20/10'	~	

NOTES:

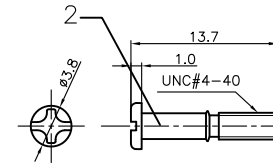
1. Hardware are all Nickel plated.
2. PART NUMBER CODE:

DS1045 - 25 X X X X X

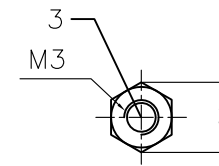
- Washer type
- 1: Metal
- 2: Plastic-1(Lock type)
- 3: Plastic-2(Screw type)

- Bolt type
- L: Long
- S: Short
- Packing type
- 1: Mix packing
- 2: Separation packing
- Q: Full packing

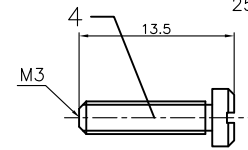
- Cover Material
- P: Plastic(ABS)
- Cover Color
- A: Gray
- B: Black
- V: Ivory
- Position
- 25: 25pin



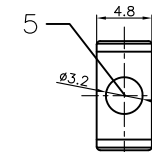
Short BOLT



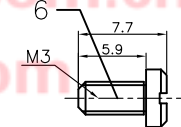
NUT t=2.3mm



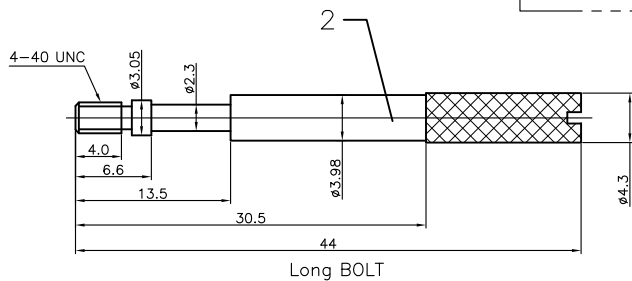
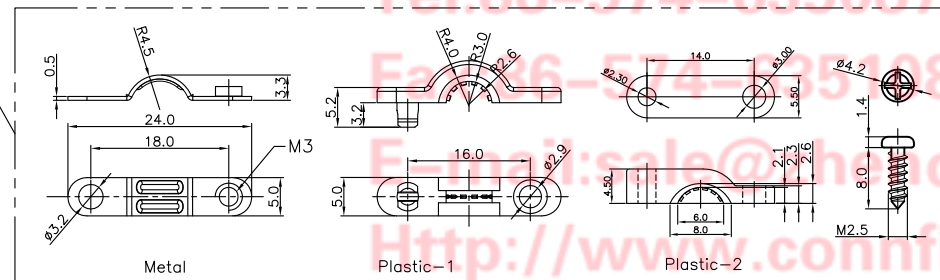
LONG SCREW



SMALL WASHER



SHORT SCREW



Long BOLT

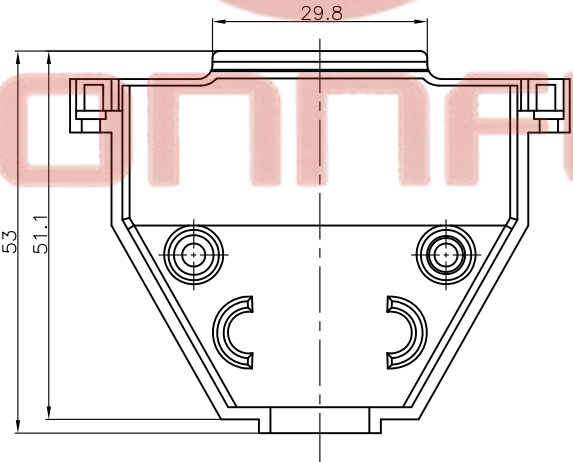
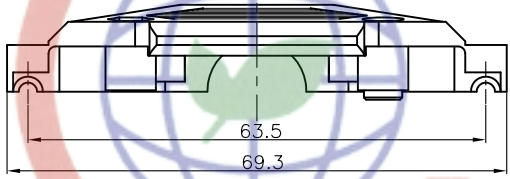
GENERAL TOLERANCE	ANGLE TOLERANCE
X. ±0.60	X. ±5°
.X ±0.38	.X ±3°
.XX ±0.25	.XX ±2°

PROJECTION	TITLE
	D-SUB 25pin Hood
UNITS	mm
SHEET SIZE	A4
SERIES	DS1045 SERIES

DRAWING TYPE	CUSTOMER
SCALE	1:1 SHEET 1 OF 1
DRAWING NO.	C-DS1045-25XXXXX-D

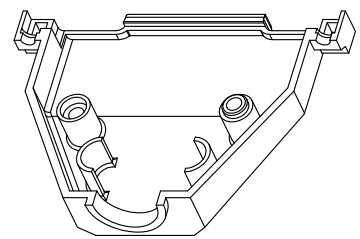
晨翔电子有限公司
CONNFLY CONNFLY ELECTRONIC CO. LTD

Tel:86-574-63508787
Fax:86-574-63510817
E-mail:sale@connfly.com.cn
Http://www.connfly.com
Add:East Industry Zone KuangYan Town C Ningbo China



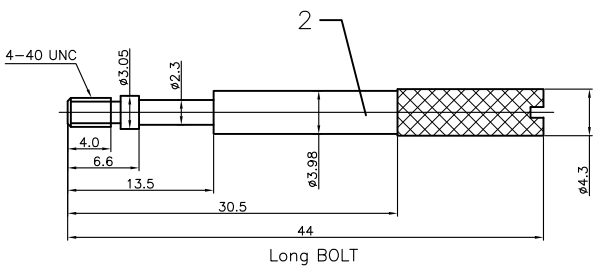
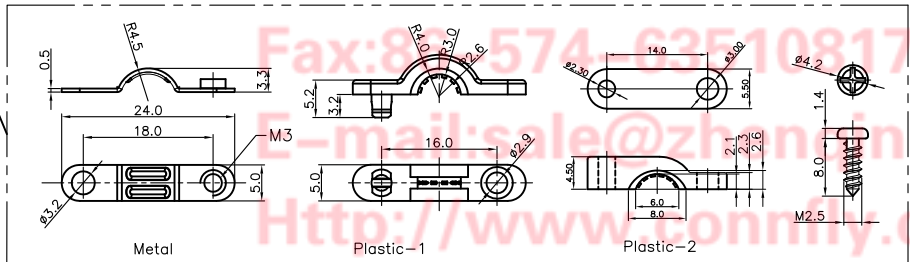
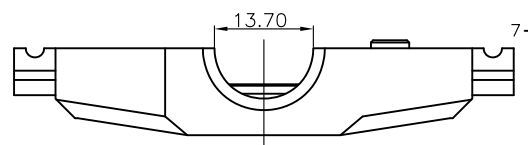
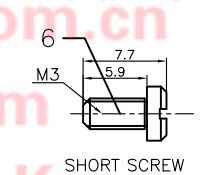
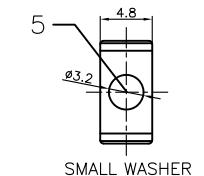
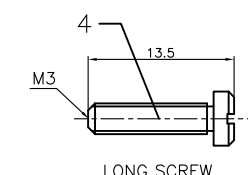
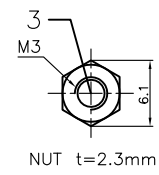
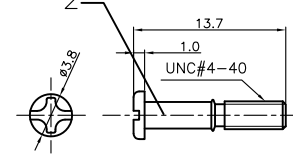
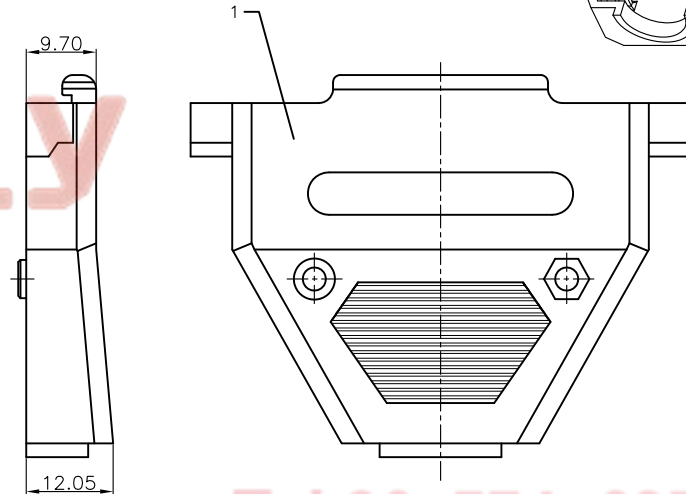
BOM LIST			
ITEM	PART NAME	Q'ty	NOTES
1	PLASTIC HOOD	2	ABS
2	LONG BOLT	2	#4-40
	SHORT BOLT	2	#4-40
3	NUT	2	M3
4	LONG SCREW	2	M3
5	SMALL WASHER	2	
6	SHORT SCREW	2	M3
7	METAL WASHER	2	M3
	PLASTIC-1 WASHER	2	ABS
	PLASTIC-2 WASHER	2	ABS

REV.	DESCRIPTION	DRAWN	CHECKED	APPROVED
A	NEW RELEASE	LJH 10/26/05'	~	LJC 10/26/05'
B	整理图画	YCH 09/13/07'	~	LJC 09/13/07'
C	整理英制短螺丝尺寸	YCH 07/18/08'	~	LJC 07/18/08'
D	增加“全包装”类型	YCH 05/20/10'	~	



NOTES:
 1. Hardwares are all Nickel plated.
 2. PART NUMBER CODE:
 DS1045 - 37 X X X X X

- Washer type
 - 1: Metal
 - 2: Plastic-1 (Lock type)
 - 3: Plastic-2 (Screw type)
- Bolt type
 - L: Long
 - S: Short
- Packing type
 - 1: Mix packing
 - 2: Separation packing
 - Q: Full packing
- Cover Material
 - P: Plastic(ABS)
- Cover Color
 - A: Gray
 - B: Black
 - V: Ivory
- Position
 - 37: 37pin



GENERAL TOLERANCE		ANGLE TOLERANCE		PROJECTION	TITLE
X.	±0.60	X.	±5°	mm	D-SUB 37pin Hood
.X	±0.38	.X	±3°		
.XX	±0.25	.XX	±2°		
DRAWING TYPE		CUSTOMER		SHEET SIZE	SERIES
SCALE		1:1		A4	DS1045 SERIES
DRAWING NO.		C-DS1045-37XXXXX-D		SHEET 1 OF 1	

晨翔电子有限公司
CONNFLY CONNFLY ELECTRONIC CO. LTD

Tel:86-574-63508787
 Fax:86-574-63510817
 E-mail:sale@zhongfan.com.cn
 Http://www.zhongfan.com.cn
 Add:East Industry Zone KuangYan Town C Ningbo City

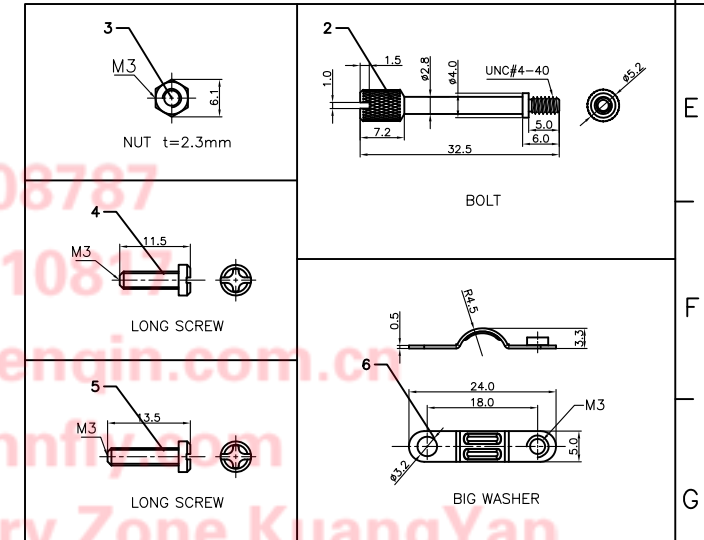
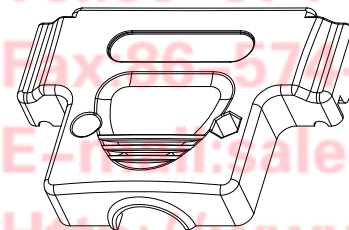
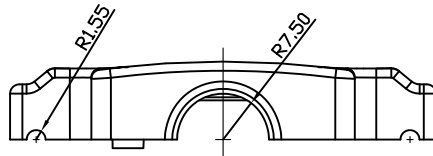
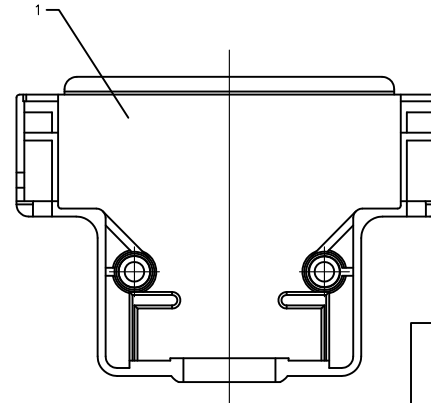
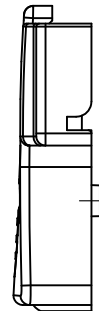
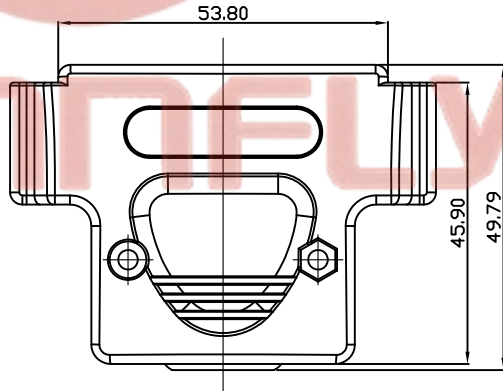
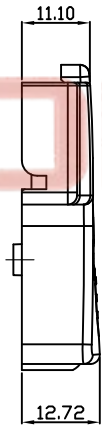
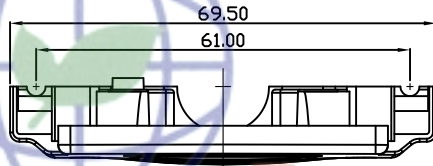
REV.	DESCRIPTION	DRAWN	CHECKED	APPROVED
A	NEW RELEASE	YCH 05/24/11'	~	

NOTES:

1. PART NUMBER CODE:


DS1045 - 50 X X X

- Packing type
- 1: Mix packing
- 2: Separation packing
- Cover Color
- A: Gray
- B: Black
- Cover Material
- P: Plastic(ABS)
- Position
- 50: 50pin



BOM LIST			
ITEM	PART NAME	Q'ty	NOTES
1	PLASTIC HOOD	2	ABS
2	BOLT	2	#4-40
3	NUT	2	M3
4	M3*10 SCREW	2	M3
5	M3*12 SCREW	2	M3
6	BIG WASHER	2	M3

GENERAL TOLERANCE		ANGLE TOLERANCE		PROJECTION	TITLE
X.	±0.60	X.	±5°	mm	
.X	±0.38	.X	±3°	UNITS	SERIES DS1045 SERIES
.XX	±0.25	.XX	±2°	A4	
DRAWING TYPE		CUSTOMER		SHEET SIZE	
SCALE		1:1		A4	
DRAWING NO.		C-DS1045-50XXX		SHEET 1 OF 1	

 晨翔电子有限公司
CONNFLY CONNFLY ELECTRONIC CO. LTD

Tel:86-574-63506787
Fax:86-574-63510818
E-mail:sale@zhengxin.com.cn
Http://www.connfly.com
Add:East Industry Zone KuangYan
Town C Ningbo City