

RN6318A

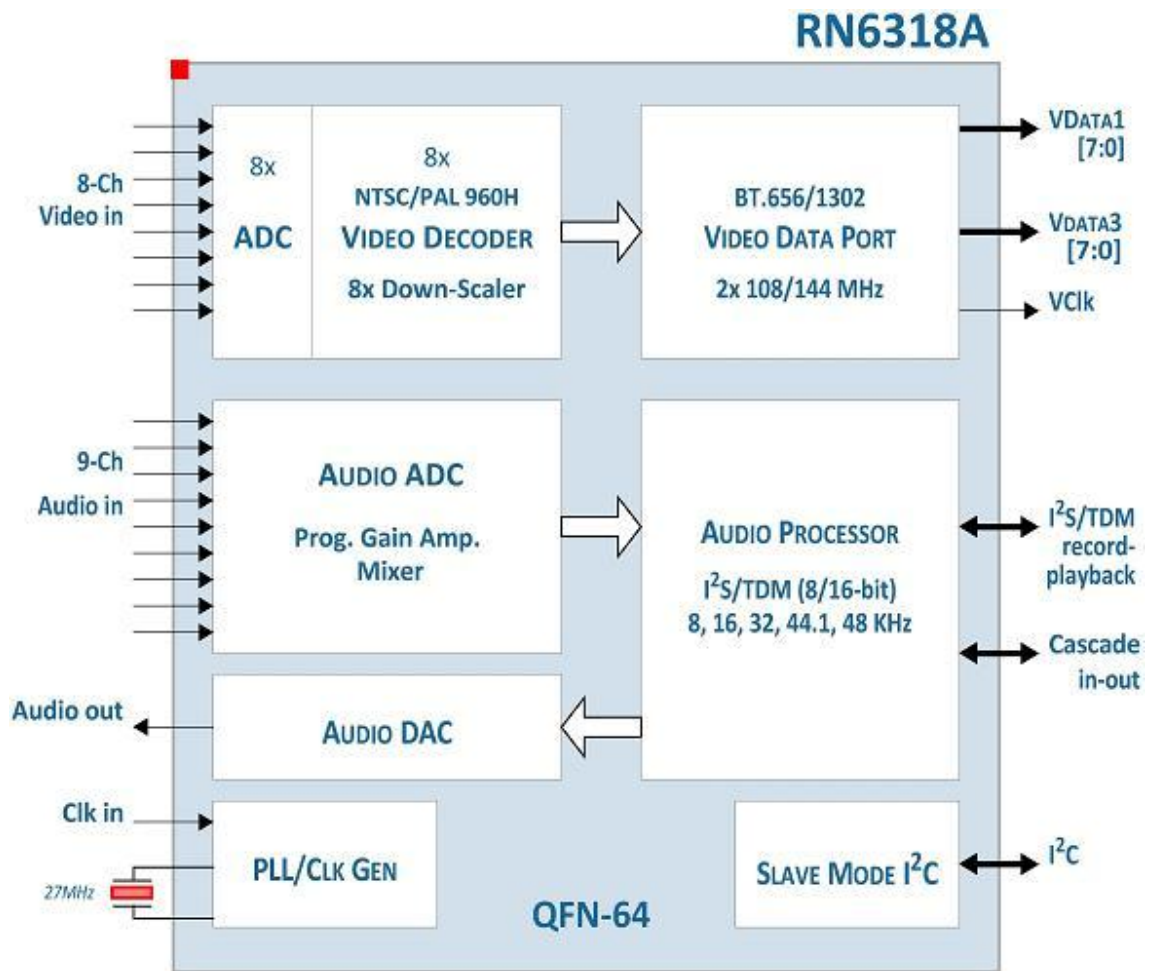
RN6318A is the newest member of the 8-ch video decoder products in a complete line of 960H decoder offerings by Richnex. RN6318A is housed in a compact QFN-64 package and supports all the video and audio functions and features often found in decoders with a 128-pin package. The low pin count design not only provides cost advantages but also offers excellent electrical as well as thermal properties comparing to the 128-pin QFP package. RN6318A is pin and register compatible with Richnex' 4-ch 960H decoder chip (RN6314A). Customers can use same PCB to support 4-ch and 8-ch DVR products by design using RN6314A-RN6318A co-layout configuration.

KEY FEATURES

- PAL and NTSC decoder with automatic format detection
- True 8-channel 960H video decoding with resolution greater than 650 TV lines (TVL)
- 9-ch audio input (RN6318A) and 1-ch audio output
- 720H (D1) decoding format supported
- Low-jitter PLL supporting and synchronizing all video, audio and data stream
- Single 27MHz crystal or 27MHz/54MHz/108MHz clock input as system reference clock
- Integrated video input anti-aliasing filters
- 54 MHz video ADC sampling frequency for best 960H decoding quality
- 5-line adaptive combing for 2D artifact-free Y/C separation
- Integrated Power On Reset (POR) circuit
- 1.8V and 3.3V power supplies
- Industrial temperature range from -40°C to 85°C available
- Pin compatible with RN6314A

PACKAGE

64-pin QFN, 9mm x 9mm, 0.5mm Pitch



➤ TOP