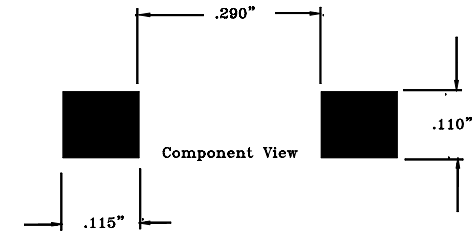
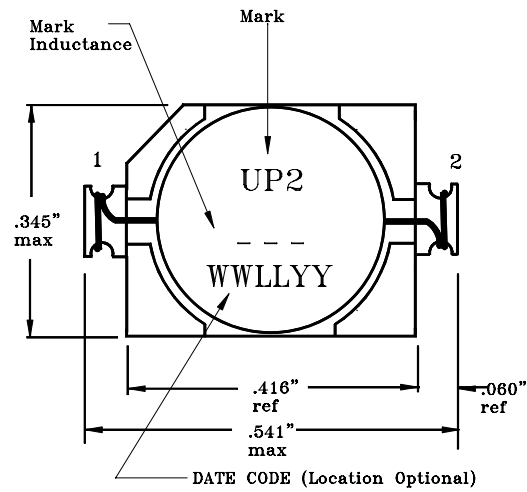
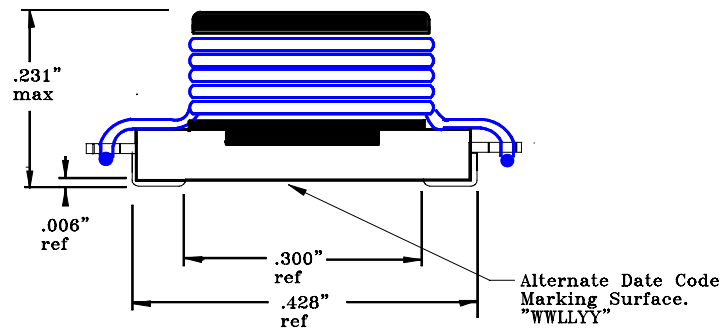


RECOMMENDED PCB PAD LAYOUT

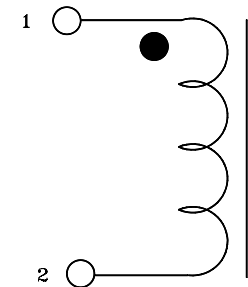
TOP VIEW



FRONT VIEW



SCHEMATIC



Notes:

- 1) Tolerances +/- .005" unless otherwise specified.
- 2) Stamping: Stamp unit on top of core as shown
Line 1 UP2 ; line 2 Inductance (per family table chart).

This Document Subject To Change Without Notice
Uncontrolled Document

Cooper Electronic Technologies
3601 Quantum Boulevard, Boynton Beach FL. 33426

UnipAc 2 Data Sheet

SIZE	Drawing Number:	UP2 Inductor Line
A	Revision Level:	J

UniPac2 Family Table		Customer Information							
PN		Rated Inductance μH	OCL nominal +/-20% μH Note(1)		I rms Amperes Note(2)		Isat Amperes Note(3)		DCR ohms (Ω) maximum. @ 20°C.
UP2-R47		.47	.595		10.1		11.4		.0049
UP2-1R0		1.0	1.00		9.0		9.9		.0081
UP2-1R5		1.5	1.46		8.1		7.9		.0103
UP2-2R2		2.2	2.39		6.9		6.1		.0115
UP2-3R3		3.3	3.3		6.5		5.1		.0138
UP2-4R7		4.7	4.77		5.7		4.2		.0173
UP2-6R8		6.8	6.63		5.0		3.6		.0230
UP2-8R2		8.2	8.71		4.7		3.2		.0245
UP2-100		10	9.73		4.3		3.3		.0299
UP2-150		15	15.43		3.6		2.4		.0449
UP2-220		22	22.50		2.9		2.0		.0644
UP2-330		33	33.13		2.4		1.7		.0989
UP2-470		47	48.65		1.9		1.4		.1461
UP2-680		68	68.17		1.7		1.2		.1898
UP2-820		82	85.60		1.5		1.0		.2473
UP2-101		100	102.60		1.4		.95		.2772
UP2-151		150	152.70		1.1		.78		.4244
UP2-221		220	230.00		.93		.62		.6360
UP2-331		330	338.00		.76		.51		.9775
UP2-471		471	471.8		.55		.44		1.31

Part number definition:

First 3 characters = Product code and size.

Last 3 characters = Inductance in μH. R=decimal point.

If no R is present third character = # of zeros.

THis Document Subject To Change Without Notice

Uncontrolled Document

Notes:

- (1) Test parameters: 0.250Vrms, 100KHz, and 0.0Aac.
- (2) Rms current for a ΔT of 40°C. at an ambient temperature of 85°C..
- (3) Peak current for approximateley a 10% rolloff.
- (4) Units supplied in tape and reel (600 units per 13" reel) packaging. EIA481 compliant.
- (5) OCL= Open circuit inductance .
- (6) Hipot: winding to core 300Vdc min.

Cooper Electronic Technologies

3601 Quantum Boulevard,Boynton Boulevard,FL 33426

UniPac 2 Data Sheet

SIZE	Drawing Number:	UP2 Inductor Line
A	Revision Level: J	

Mouser Electronics

Authorized Distributor

Click to View Pricing, Inventory, Delivery & Lifecycle Information:

[Eaton:](#)

[UP2-100-R](#) [UP2-4R7-R](#) [UP2-330-R](#) [UP2-R47-R](#) [UP2-220-R](#) [UP2-2R2-R](#) [UP2-1R0-R](#) [UP2-221-R](#) [UP2-1R5-R](#)
[UP2-151-R](#) [UP2-331-R](#) [UP2-680-R](#) [UP2-470-R](#) [UP2-820-R](#) [UP2-471-R](#) [UP2-8R2-R](#)