

DM74LS251 3-STATE Data Selectors/Multiplexers

General Description

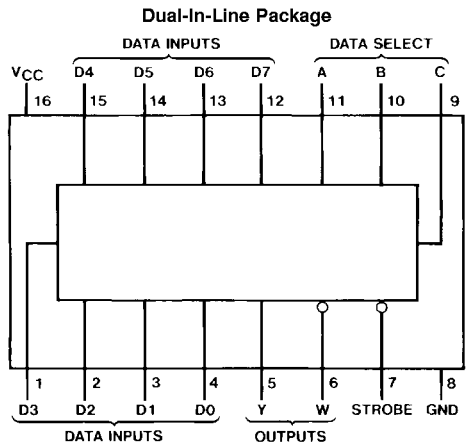
These data selectors/multiplexers contain full on-chip binary decoding to select one-of-eight data sources, and feature a strobe-controlled 3-STATE output. The strobe must be at a low logic level to enable these devices. The 3-STATE outputs permit direct connection to a common bus. When the strobe input is high, both outputs are in a high-impedance state in which both the upper and lower transistors of each totem-pole output are off, and the output neither drives nor loads the bus significantly. When the strobe is low, the outputs are activated and operate as standard TTL totem-pole outputs.

To minimize the possibility that two outputs will attempt to take a common bus to opposite logic levels, the output control circuitry is designed so that the average output disable time is shorter than the average output enable time.

Features

- 3-STATE version of LS151
- Interface directly with system bus
- Perform parallel-to-serial conversion
- Permit multiplexing from N-lines to one line
- Complementary outputs provide true and inverted data
- Maximum number of common outputs
 - 54LS 49
 - 74LS 129
- Typical propagation delay time (D to Y)
 - 54LS 17 ns
 - 74LS 17 ns
- Typical power dissipation
 - 54LS 35 mW
 - 74LS 35 mW

Connection Diagram



Order Number DM54LS251J, DM54LS251W,
DM74LS251M or DM74LS251N
See Package Number J16A, M16A, N16E or W16A

Function Table

Inputs			Strobe S	Outputs	
Select				Y	W
C	B	A			
X	X	X	H	Z	Z
L	L	L	L	D0	$\overline{D0}$
L	L	H	L	D1	$\overline{D1}$
L	H	L	L	D2	$\overline{D2}$
L	H	H	L	D3	$\overline{D3}$
H	L	L	L	D4	$\overline{D4}$
H	L	H	L	D5	$\overline{D5}$
H	H	L	L	D6	$\overline{D6}$
H	H	H	L	D7	$\overline{D7}$

H = High Logic Level, L = Low Logic Level,
X = Don't Care, Z = High Impedance (Off)
D0, D1...D7 = The level of the respective D input

Absolute Maximum Ratings (Note 1)

Supply Voltage	7V	DM54LS	-55°C to +125°C
Input Voltage	7V	DM74LS	0°C to +70°C
Operating Free Air Temperature Range		Storage Temperature Range	-65°C to +150°C

Recommended Operating Conditions

Symbol	Parameter	DM54LS251			DM74LS251			Units
		Min	Nom	Max	Min	Nom	Max	
V _{CC}	Supply Voltage	4.5	5	5.5	4.75	5	5.25	V
V _{IH}	High Level Input Voltage	2			2			V
V _{IL}	Low Level Input Voltage			0.7			0.8	V
I _{OH}	High Level Output Current			-1			-2.6	mA
I _{OL}	Low Level Output Current			12			24	mA
T _A	Free Air Operating Temperature	-55		125	0		70	°C

Note 1: The "Absolute Maximum Ratings" are those values beyond which the safety of the device cannot be guaranteed. The device should not be operated at these limits. The parametric values defined in the "Electrical Characteristics" table are not guaranteed at the absolute maximum ratings. The "Recommended Operating Conditions" table will define the conditions for actual device operation.

Electrical Characteristics

over recommended operating free air temperature range (unless otherwise noted)

Symbol	Parameter	Conditions	Min	Typ (Note 2)	Max	Units
V _I	Input Clamp Voltage	V _{CC} = Min, I _I = -18 mA			-1.5	V
V _{OH}	High Level Output Voltage	V _{CC} = Min, I _{OH} = Max	DM54	2.4	3.4	V
		V _{IL} = Max, V _{IH} = Min	DM74	2.4	3.1	
V _{OL}	Low Level Output Voltage	V _{CC} = Min, I _{OL} = Max	DM54	0.25	0.4	V
		V _{IL} = Max, V _{IH} = Min	DM74	0.35	0.5	
		I _{OL} = 12 mA, V _{CC} = Min	DM74	0.25	0.4	
I _I	Input Current @ Max Input Voltage	V _{CC} = Max, V _I = 7V			0.1	mA
I _{IH}	High Level Input Current	V _{CC} = Max, V _I = 2.7V			20	μA
I _{IL}	Low Level Input Current	V _{CC} = Max, V _I = 0.4V			-0.4	mA
I _{ozH}	Off-State Output Current with High Level Output Voltage Applied	V _{CC} = Max, V _O = 2.7V V _{IH} = Min, V _{IL} = Max			20	μA
I _{ozL}	Off-State Output Current with Low Level Output Voltage Applied	V _{CC} = Max, V _O = 0.4V V _{IH} = Min, V _{IL} = Max			-20	μA
I _{os}	Short Circuit Output Current	V _{CC} = Max	DM54	-20	-100	mA
		(Note 3)	DM74	-20	-100	
I _{CC1}	Supply Current	V _{CC} = Max (Note 4)		6.1	10	mA
I _{CC2}	Supply Current	V _{CC} = Max (Note 5)		7.1	12	mA

Note 2: All typicals are at V_{CC} = 5V, T_A = 25°C.

Note 3: Not more than one output should be shorted at a time, and the duration should not exceed one second.

Note 4: I_{CC1} is measured with the outputs open, STROBE grounded, and all other inputs at 4.5V.

Note 5: I_{CC2} is measured with the outputs open and all inputs at 4.5V.

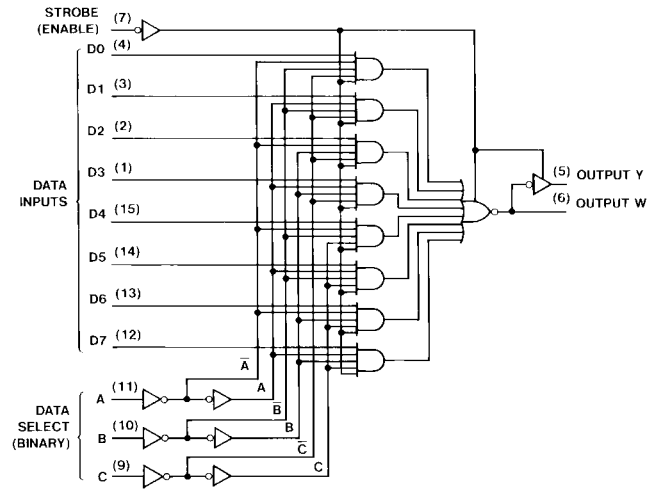
Switching Characteristics

at $V_{CC} = 5V$ and $T_A = 25^\circ C$

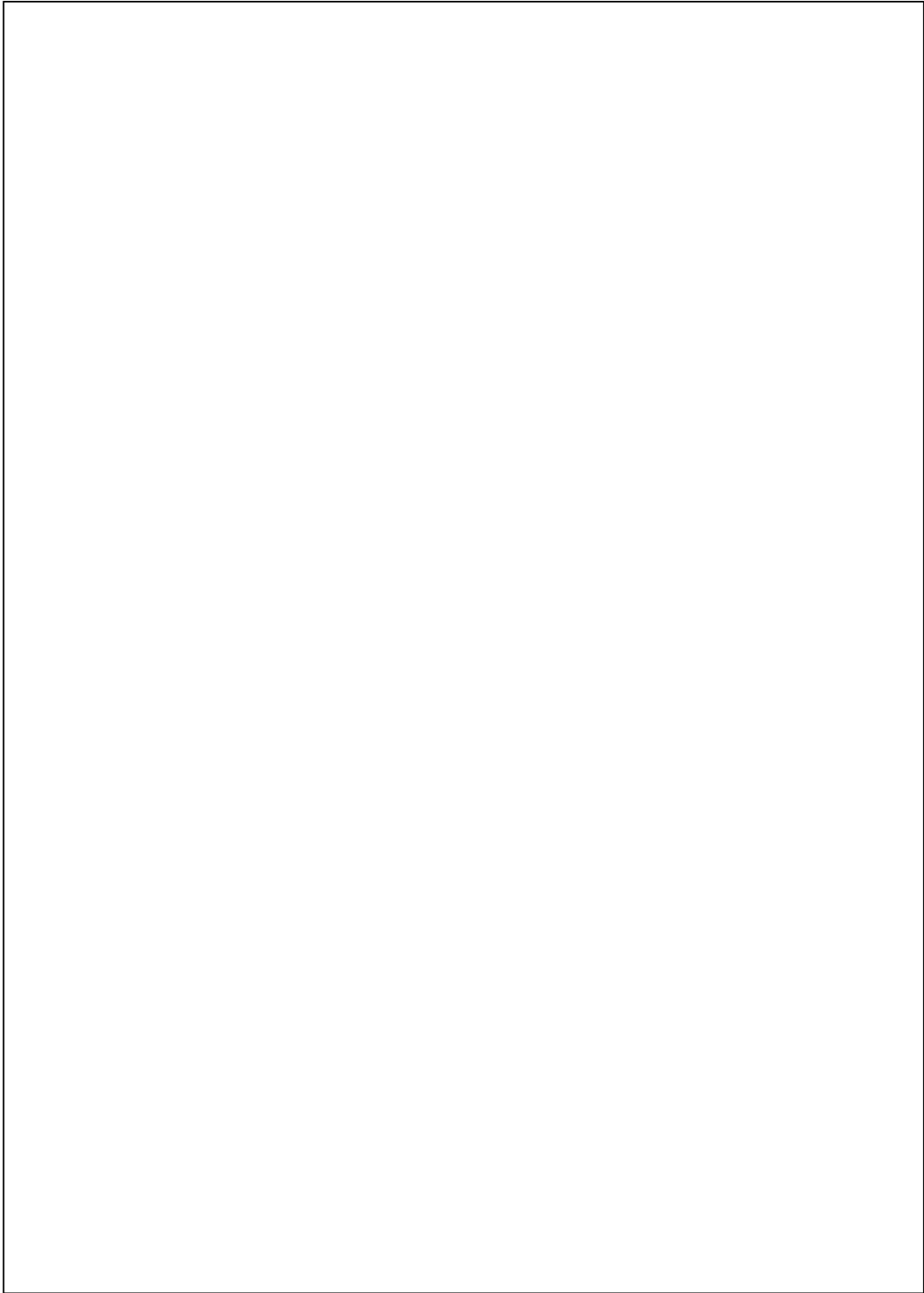
Symbol	Parameter	From (Input) to (Output)	$R_L = 667\Omega$				Units
			$C_L = 45\text{ pF}$		$C_L = 150\text{ pF}$		
			Min	Max	Min	Max	
t_{PLH}	Propagation Delay Time Low to High Level Output	A, B, C (4 Levels) to Y		45		53	ns
t_{PHL}	Propagation Delay Time High to Low Level Output	A, B, C (4 Levels) to Y		45		53	ns
t_{PLH}	Propagation Delay Time Low to High Level Output	A, B, C (3 Levels) to W		33		38	ns
t_{PHL}	Propagation Delay Time High to Low Level Output	A, B, C (3 Levels) to W		33		42	ns
t_{PLH}	Propagation Delay Time Low to High Level Output	D to Y		28		35	ns
t_{PHL}	Propagation Delay Time High to Low Level Output	D to Y		28		38	ns
t_{PLH}	Propagation Delay Time Low to High Level Output	D to W		15		25	ns
t_{PHL}	Propagation Delay Time High to Low Level Output	D to W		15		25	ns
t_{PZH}	Output Enable Time to High Level Output	Strobe to Y		45		60	ns
t_{PZL}	Output Enable Time to Low Level Output	Strobe to Y		40		51	ns
t_{PHZ}	Output Disable Time from High Level Output (Note 6)	Strobe to Y		45			ns
t_{PLZ}	Output Disable Time from Low Level Output (Note 6)	Strobe to Y		25			ns
t_{PZH}	Output Enable Time to High Level Output	Strobe to W		27		40	ns
t_{PZL}	Output Enable Time to Low Level Output	Strobe to W		40		47	ns
t_{PHZ}	Output Disable Time from High Level Output (Note 6)	Strobe to W		55			ns
t_{PLZ}	Output Disable Time from Low Level Output (Note 6)	Strobe to W		25			ns

Note 6: $C_L = 5\text{ pF}$

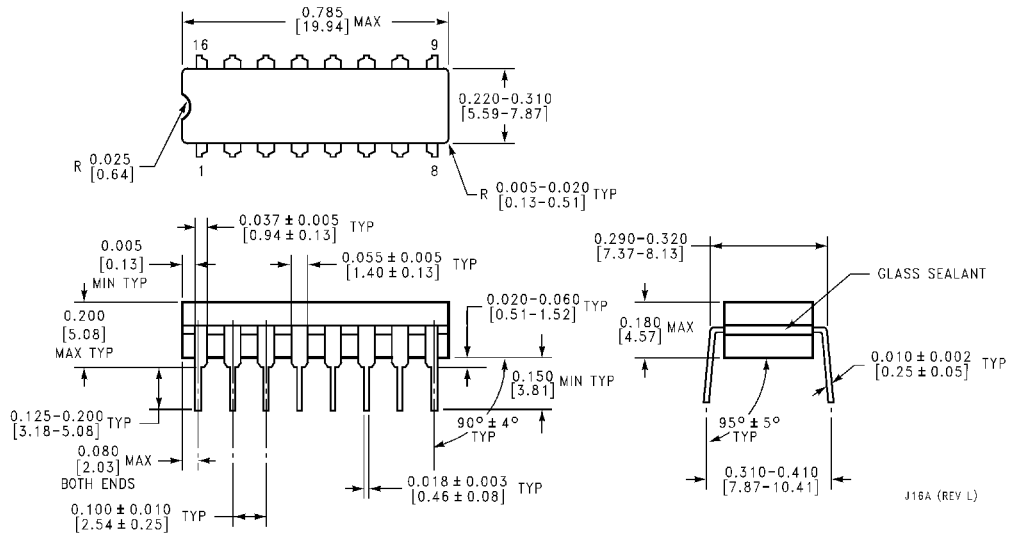
Logic Diagram



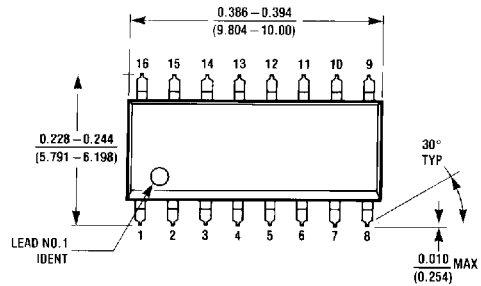
DS006415-2



Physical Dimensions inches (millimeters) unless otherwise noted

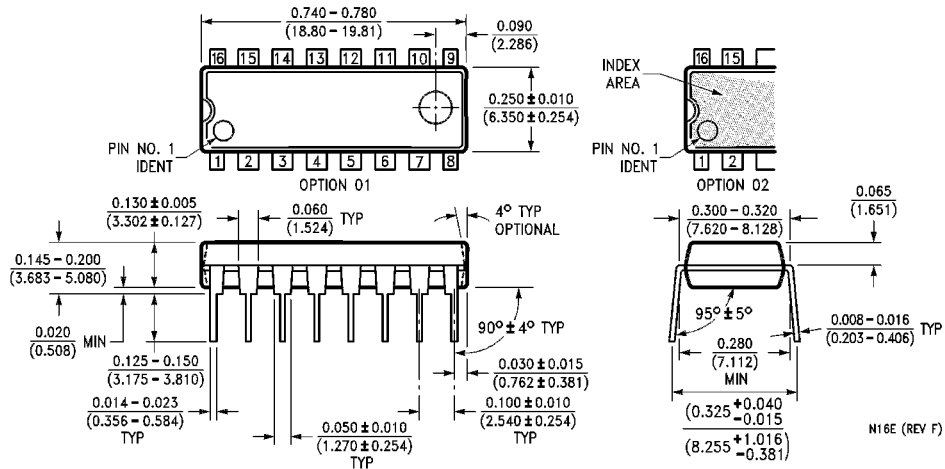


16-Lead Ceramic Dual-In-Line Package (J)
Order Number DM54LS251J
Package Number J16A

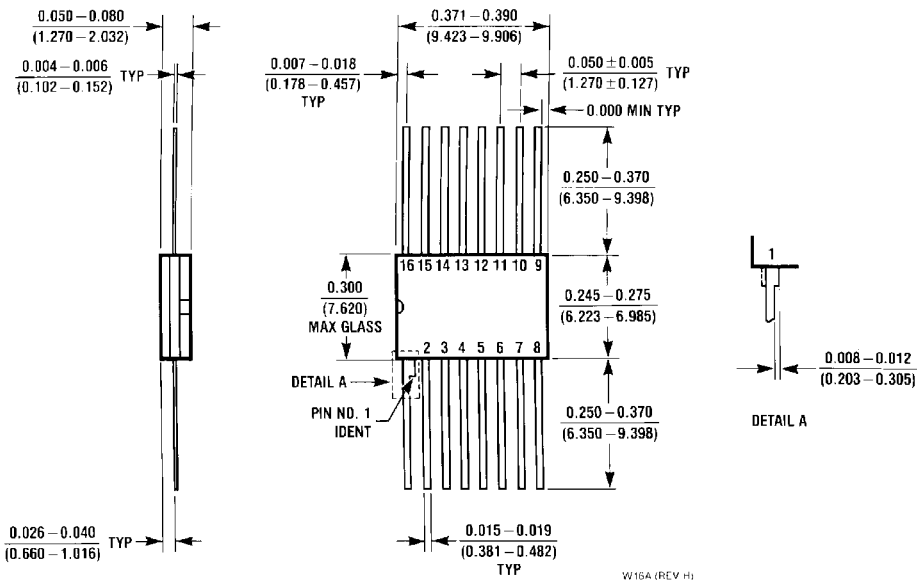


16-Lead Small Outline Molded Package (M)
Order Number DM74LS251M
Package Number M16A

Physical Dimensions inches (millimeters) unless otherwise noted (Continued)



Molded Dual-In-Line Package (N)
Order Number DM74LS251N
Package Number N16E



16-Lead Ceramic Flat Package (W)
Order Number DM54LS251W
Package Number W16A