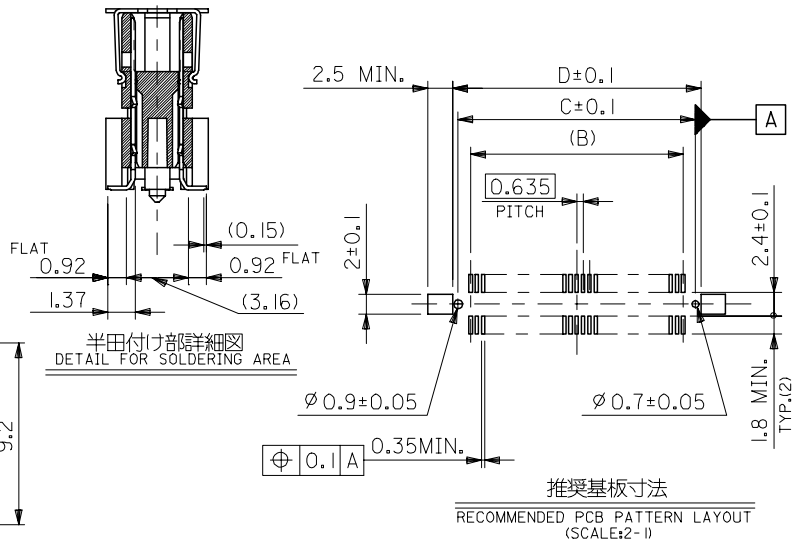
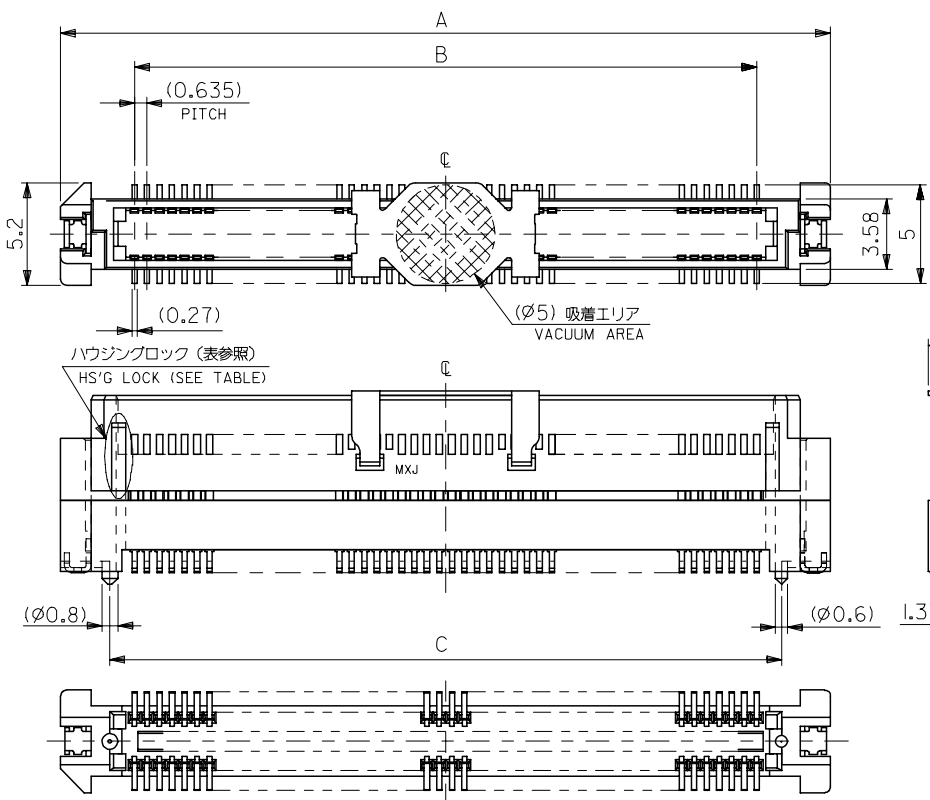


10 9 8 7 6 5 4 3 2 1

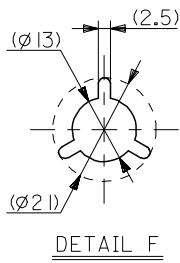
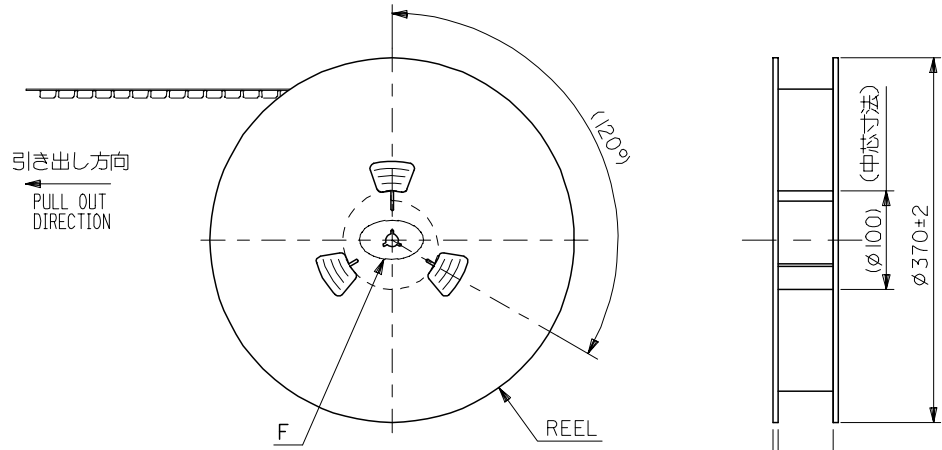


NOTES

- 材質
MATERIAL
ハウジング: ガラス入りPPS、茶色、UL94V-0
HOUSING: POLYPHENYLENE SULFIDE, GLASS FILLED, BROWN, UL94V-0
ターミナル: 銅合金 (t=0.2)、ニッケルメッキ下地1.5マイクロメートル以上
TERMINAL: COPPER ALLOY, UNDER-PLATING: NICKEL 1.5 MICROMETER MIN.
接点部 : 金メッキ 0.25マイクロメートル以上
CONTACT AREA: GOLD 0.25 MICROMETER MIN.
半田付け部 : 錫メッキ1.0マイクロメートル以上
SOLDER TAIL AREA: TIN 1.0 MICROMETER MIN.
ネール : リン青銅(t=0.2)、ニッケルメッキ下地1.0マイクロメートル以上
NAIL: PHOSPHOR BRONZE, UNDER-PLATING: NICKEL 1.0 MICROMETER MIN.
錫メッキ1.0マイクロメートル以上
TIN 1.0 MICROMETER MIN.
吸着カバー: ステンレス (t=0.2)
VACUUM COVER: STAINLESS STEEL
- テールのバラツキ寸法
TAIL COPLANARITY
テール平坦度、0.1ミリ以下とする。
TAILS COPLANARITY TO BE 0.1 MILLIMETER MAX.
- 本製品は53627-***2の鉛フリー品である。
THIS PRODUCT IS LEAD FREE OF 53627-***2.

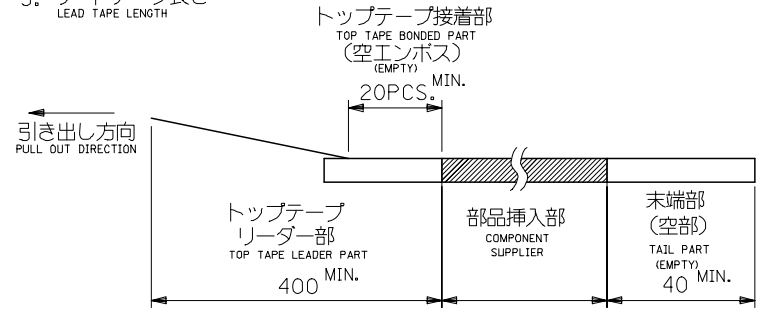
	53.77	52.67	50.165	57.67	—	53627-1675	53627-1672	160
無し NO	47.42	46.32	43.815	51.32	53627-1474	-1475	-1472	140
	41.07	39.97	37.465	44.97	-1274	-1275	-1272	120
	34.72	33.62	31.115	38.62	-1074	-1075	-1072	100
	31.55	30.45	27.94	35.45	-0974	-0975	-0972	90
有り YES	28.37	27.27	24.765	32.27	-0874	-0875	-0872	80
	25.2	24.1	21.59	29.1	-0774	-0775	-0772	70
	22.02	20.92	18.415	25.92	-0674	-0675	-0672	60
	18.85	17.75	15.24	22.75	-0574	-0575	-0572	50
	15.67	14.57	12.065	19.57	-0474	-0475	-0472	40
	12.5	11.4	8.89	16.4	-0374	-0375	-0372	30
	9.32	8.22	5.715	13.22	53627-0274	53627-0275	53627-0272	20
					53627-0274	53627-0275	53627-0272	20
ハウジングロック HS'G LOCK	D	C	B	A	エンボス梱包 EMBOSSED PACKAGE	スティック梱包 STICK PACKAGE	製品番号 MATERIAL NO.	極数 CIRCUITS

REVISED EC NO: J2007-1858 DRW: HVAJIMA 2006/12/27 CHK: DKKASAHARA 2006/12/28 APPR: NUKITA 2007/01/09	DESCRIPTION	GENERAL TOLERANCES (UNLESS SPECIFIED)		DIMENSION STYLE		SCALE	DESIGN UNITS	THIRD ANGLE PROJECTION		
				MM ONLY		---	METRIC			
		10 UNDER	±0.2	DRAWN BY	DATE	TITLE				
		10 OVER 30 UNDER	±0.25	Y. SAKIYAMA	2004/03/05	0.635 PITCH B/B CONN. PLUG HSG COVER ASSY -LEAD FREE-				
30 OVER	±0.3	CHECKED BY	DATE	MOLEX INCORPORATED						
		M. SASAO	2004/03/05	MATERIAL NO. DOCUMENT NO. SHEET NO.						
		M. SASAO	2004/03/05	SEE CHART SD-53627-001 1 OF 1						
A	REV	DRAFT WHERE APPLICABLE MUST REMAIN WITHIN DIMENSIONS								
THIS DRAWING CONTAINS INFORMATION THAT IS PROPRIETARY TO MOLEX INCORPORATED AND SHOULD NOT BE USED WITHOUT WRITTEN PERMISSION										

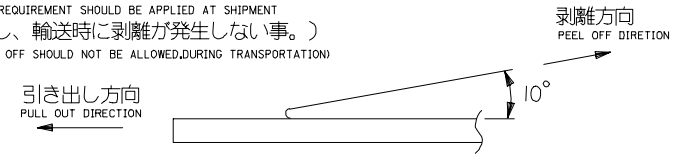


NOTES

- 製品番号 53627-***72 の詳細寸法については SD-53627-001 を参照下さい。
IN THE PACKAGE PART NO. 53627-***72 DETAILED DIMENSIONS, SEE SD-53627-001.
- 梱包数量 : 700個/リール
NUMBER OF CONNECTORS : 700 PCS/REEL
- リードテープ長さ
LEAD TAPE LENGTH



- トップテープの剥離強度 (剥離方向は下図参照)
PEELING OFF FORCE OF TOP TAPE (PEELING DIRECTION AS SHOWN IN FOLLOWING FIG.)
0.1 ~ 1.3N {10 ~ 130gf}
尚、本規格値は、出荷時に適用。
THIS REQUIREMENT SHOULD BE APPLIED AT SHIPMENT
(但し、輸送時に剥離が発生しない事。)
(PEEL OFF SHOULD NOT BE ALLOWED DURING TRANSPORTATION)



- 材料
MATERIAL
キャリアテープ : ポリプロピレン (PP)
CARRIER TAPE : POLYPROPYLENE (PP)
トップテープ : PET, PE, PEF
TOP TAPE : PET, PE, PEF
リール : 紙
REEL : CARD BOARD

- 本製品は53627-***4の鉛フリー品である。
THIS PRODUCT IS LEAD FREE OF 53627-***4.

REVISED EC NO: J2007-1627 DRW: HVAJIMA 2006/12/06 CHK: KKASAHARA 2006/12/06 APP: NUKITA 2006/12/06	GENERAL TOLERANCES (UNLESS SPECIFIED)		DIMENSION STYLE MM ONLY		SCALE ---	DESIGN UNITS METRIC	THIRD ANGLE PROJECTION	
	10 UNDER	±0.2	DRAWN BY Y. SAKIYAMA	DATE 2004/03/05	TITLE EMBSTP PKG FOR 0.635 B/B PLUG HSG ASSY (H=10) -LEAD FREE-			
	10 OVER 30 UNDER	±0.25	CHECKED BY M. SASAO	DATE 2004/03/05	MOLEX INCORPORATED			
	30 OVER	±0.3	APPROVED BY M. SASAO	DATE 2004/03/05	DOCUMENT NO. SD-53627-002			
	ANGULAR	±3 °	MATERIAL NO. SEE CHART		SHEET NO. 1 OF 3			
A	DRAFT WHERE APPLICABLE MUST REMAIN WITHIN DIMENSIONS		SIZE A3		THIS DRAWING CONTAINS INFORMATION THAT IS PROPRIETARY TO MOLEX INCORPORATED AND SHOULD NOT BE USED WITHOUT WRITTEN PERMISSION			

10 9 8 7 6 5 4 3 2 1

F

E

D

C

B

A

F

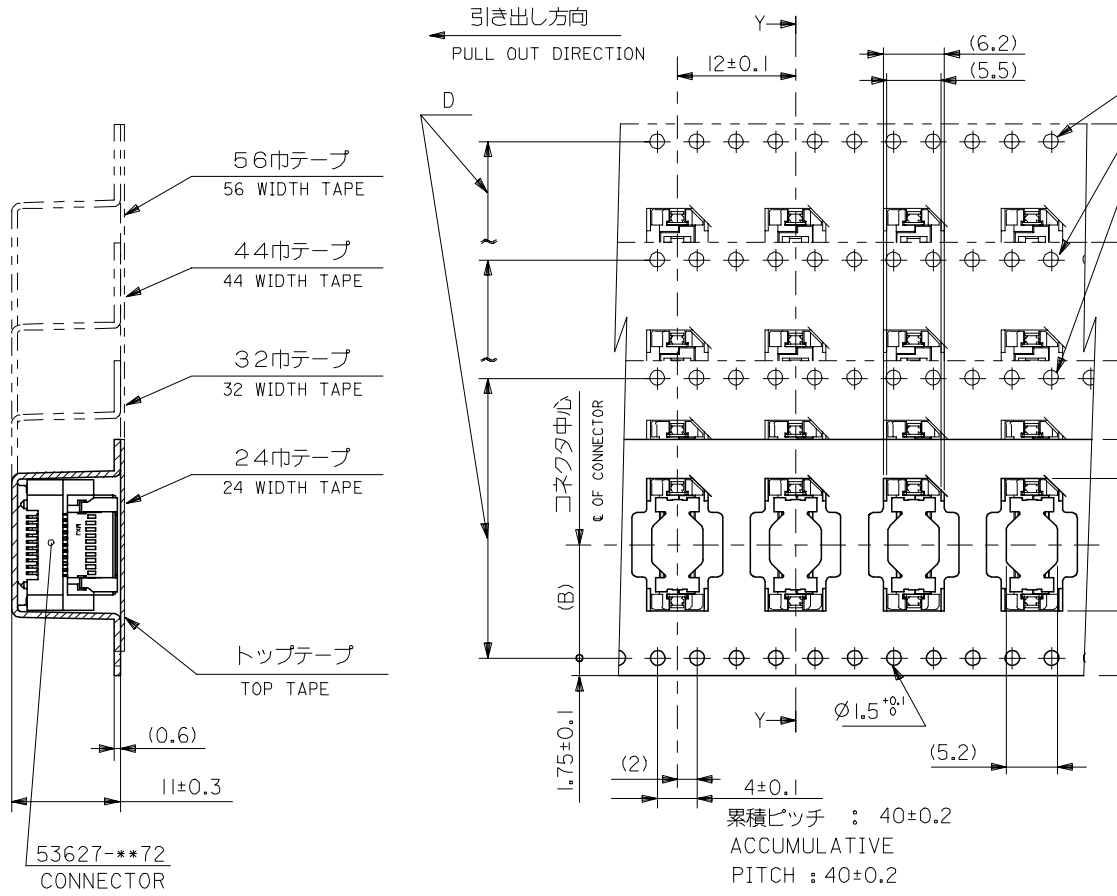
E

D

C

B

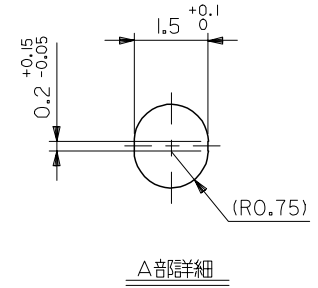
A



53627-***72
CONNECTOR

断面 Y-Y
SECTION Y-Y

累積ピッチ : 40±0.2
ACCUMULATIVE
PITCH : 40±0.2



56.4	52.4	56	26.2	38.9	53627-1074	100
				35.8	-0974	90
44.4	40.4	44	20.2	32.6	-0874	80
				29.4	-0774	70
				26.2	-0674	60
				23.1	-0574	50
32.4	28.4	32	14.2	19.9	-0474	40
				16.7	-0374	30
24.4	#	24	11.5	13.5	53627-0274	20
E	D	C	キャリアテープ幅 CARRIER TAPE WIDTH	(B)	(A)	MATERIAL NO.
53627-***74		MODEL NO.				

REVISED EC NO: J2007-1627 DR: W.H.VAJIMA 2006/12/06 CHK: K.KASAHARA 2006/12/06 APPR: NUKITA 2006/12/06	GENERAL TOLERANCES (UNLESS SPECIFIED)		DIMENSION STYLE MM ONLY	SCALE ---	DESIGN UNITS METRIC	THIRD ANGLE PROJECTION
	10 UNDER	±0.2	DRAWN BY Y.SAKIYAMA	DATE 2004/03/05	TITLE EMBSTP PKG FOR 0.635 B/B PLUG HSG ASSY (H=10) -LEAD FREE-	
	10 OVER 30 UNDER	±0.25	CHECKED BY M.SASAO	DATE 2004/03/05	MOLEX INCORPORATED	
	30 OVER	±0.3	APPROVED BY M.SASAO	DATE 2004/03/05	DOCUMENT NO. SD-53627-002	SHEET NO. 2 OF 3
	ANGULAR	±3 °	MATERIAL NO. SEE CHART			
DRAFT WHERE APPLICABLE MUST REMAIN WITHIN DIMENSIONS		THIS DRAWING CONTAINS INFORMATION THAT IS PROPRIETARY TO MOLEX INCORPORATED AND SHOULD NOT BE USED WITHOUT WRITTEN PERMISSION				

10 9 8 7 6 5 4 3 2 1

F

E

D

C

B

A

F

E

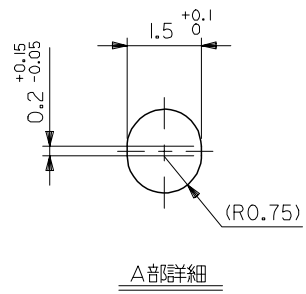
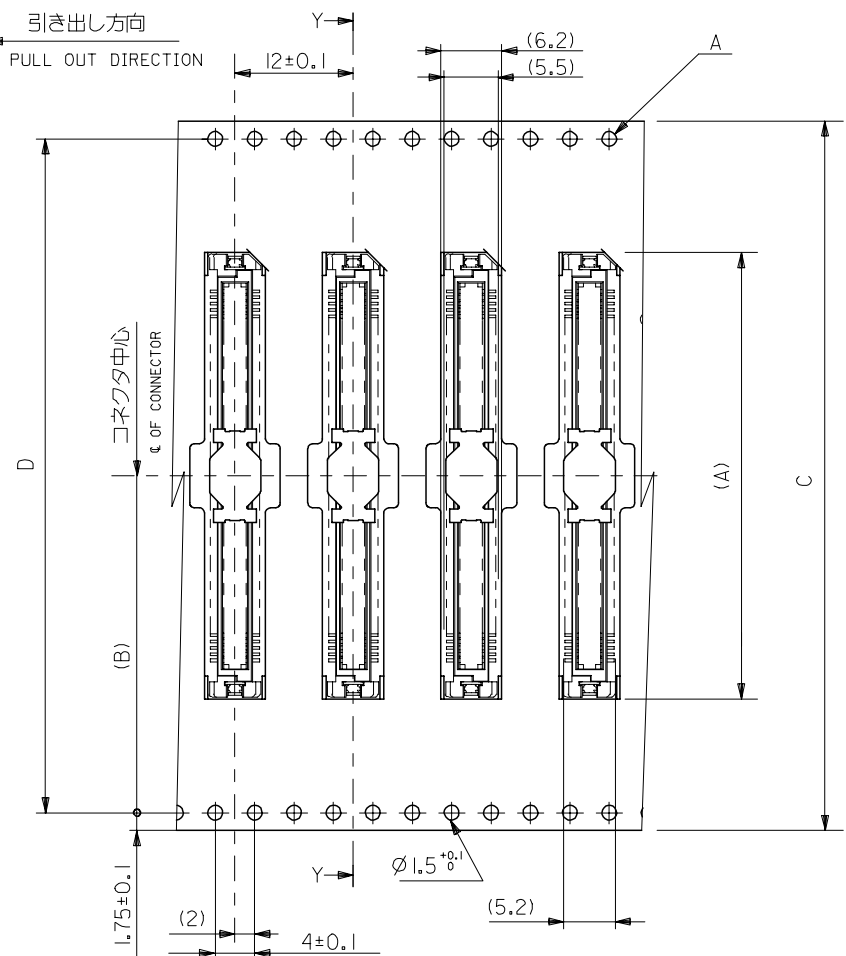
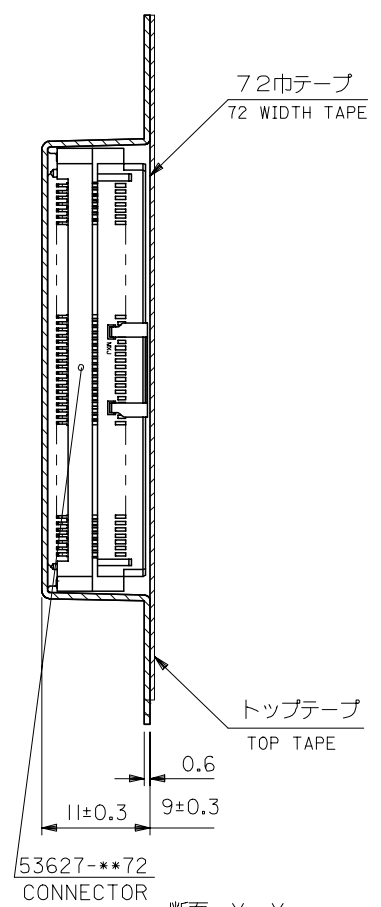
D

C

B

A

引き出し方向
PULL OUT DIRECTION



累積ピッチ : 40±0.2
ACCUMULATIVE
PITCH : 40±0.2

72.4	68.4	72	34.2	51.6	53627-1474	140
E	D	C	(B)	(A)	53627-1274	120
53627-**74			MODEL NO.			
CARRIAR TAPE 幅		CARRIER TAPE WIDTH				
MATERIAL NO.		CIRCUITS				

REVISED EC NO: J2007-1627 DRWN:HYAJIMA 2006/12/06 CHKD:KASAHARA 2006/12/06 APPR:NUKITA 2006/12/06	GENERAL TOLERANCES (UNLESS SPECIFIED)	
	10 UNDER	±0.2
	10 OVER 30 UNDER	±0.25
	30 OVER	±0.3
	ANGULAR	±3 °
DRAFT WHERE APPLICABLE MUST REMAIN WITHIN DIMENSIONS		
A	REV	

DIMENSION STYLE MM ONLY		SCALE ---	DESIGN UNITS METRIC	THIRD ANGLE PROJECTION
DRAWN BY Y.SAKIYAMA	DATE 2004/03/05	TITLE EMBSTP PKG FOR 0.635 B/B PLUG HSG ASSY (H=10) -LEAD FREE-		
CHECKED BY M.SASAO	DATE 2004/03/05	MOLEX INCORPORATED		
APPROVED BY M.SASAO	DATE 2004/03/05	DOCUMENT NO. SD-53627-002	SHEET NO. 3 OF 3	
MATERIAL NO.		SEE CHART		
THIS DRAWING CONTAINS INFORMATION THAT IS PROPRIETARY TO MOLEX INCORPORATED AND SHOULD NOT BE USED WITHOUT WRITTEN PERMISSION				

9 8 7 6 5 4 3 2 EN-02JA(021)