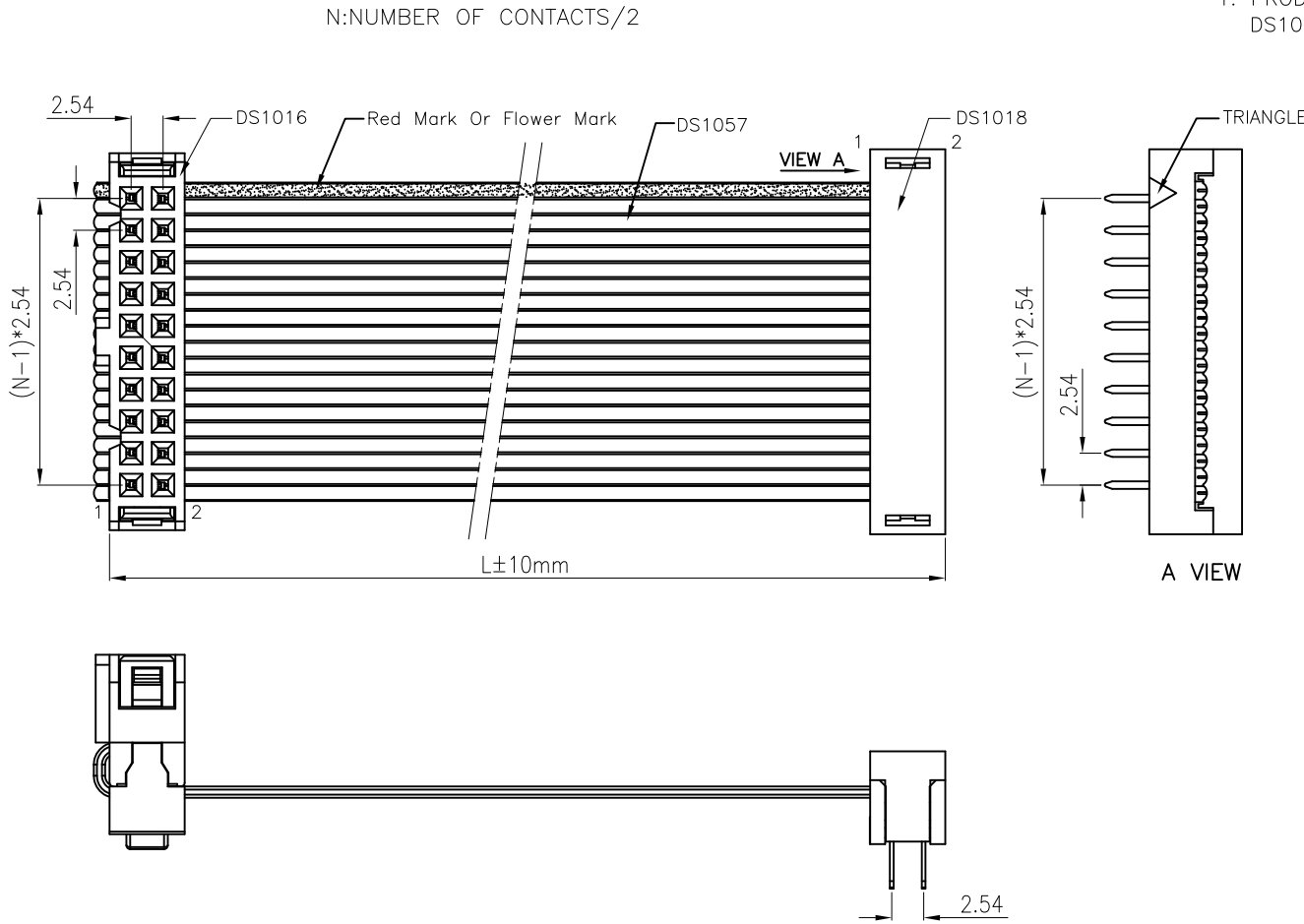


REV.	DESCRIPTION	DRAWN	CHECKED	APPROVED
A	NEW RELEASE	YCH 06/12/07'	~	ljc 06/12/07'
B	更改线长代码	YCH 06/28/13'	~	



1. PRODUCT NUMBER CODE:

DS1052 -XX 1 B X X A X X X

- CABLE STYLE
- 1: TYPE 1
- LENGTH DIM L
- 0114:114mm 0120:120mm
- 0290:290mm 3400:3400mm
- 1500:1500mm 0170:170mm
- 2400:2400mm 0280:280mm
- 0085:85mm 0192:192mm
- 4300:4300mm _____
- WIRE DIAMETER
- 1:∅0.100 FOLWER MARK
- 2:∅0.127 RED MARK
- 3:∅0.100 RED MARK
- 4:∅0.127 FOLWER MARK
- FLAT CABLE COLOR
- A:GRAY
- STRAIN RELIEF
- M:W/
- N:W/O
- CONTACT PLATING
- 2:GOLD+NICKEL
- 0: { DS1016 GOLD+NICKEL
 DS1018 SELECTIVE GOLD FLASH
- 8: { DS1016 GOLD+NICKEL
 DS1018 FULL GOLD FLASH
- Si: { DS1016 SELECTIVE GOLD FLASH
 DS1018 SELECTIVE GOLD FLASH
- HOUSING COLOR
- B:BLACK
- CONNECTOR Q'TY
- 1: 2 CONNECTOR
- (1PCS DS1016 ;1PCS DS1018)
- NO.OF CONTACTS
- 10:10P 20:20P 30:30P 50:50P
- 14:14P 24:24P 34:34P 60:60P
- 16:16P 26:26P 40:40P 64:64P

GENERAL TOLERANCE		ANGLE TOLERANCE	
X.	±15	X.	±3'
.X	±10	.X	±2'
.XX	±5	.XX	±1'
DRAWING TYPE	CUSTOMER		
SCALE	1:1	SHEET	1 OF 1
DRAWING NO.	C-DS1052-XX1XXXXX1		

PROJECTION	TITLE
	DS1052 (DS1016,DS1018)
UNITS	mm
SHEET SIZE	A4
SERIES	DS1052 SERIES

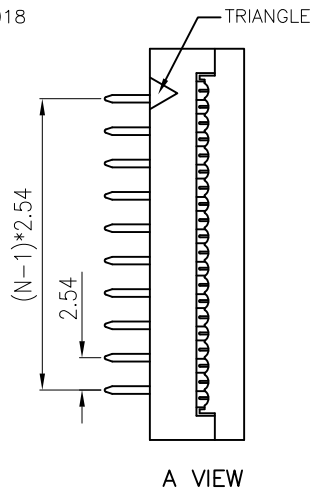
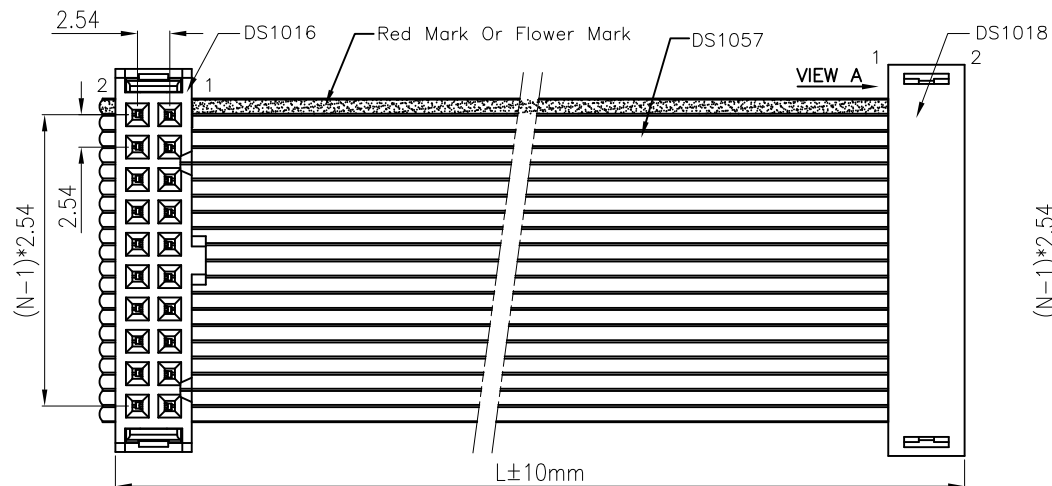
晨翔电子有限公司
CONNFLY CONNFLY ELECTRONIC CO. LTD

REV.	DESCRIPTION	DRAWN	CHECKED	APPROVED
A	NEW RELEASE	YCH 06/12/07'	~	ljc 06/12/07'
B	更改线长代码	YCH 06/28/13'	~	

N:NUMBER OF CONTACTS/2

1. PRODUCT NUMBER CODE:

DS1052 -XX 1 B X X A X X X



- CABLE STYLE
- 2: TYPE 2
- LENGTH DIM L

0114:114mm	0120:120mm
0290:290mm	3400:3400mm
1500:1500mm	0170:170mm
2400:2400mm	0280:280mm
0085:85mm	0200:200mm
4300:4300mm	
- WIRE DIAMETER
 - 1:∅.100 FOLWER MARK
 - 2:∅.127 RED MARK
 - 3:∅.100 RED MARK
 - 4:∅.127 FOLWER MARK
- FLAT CABLE COLOR
 - A:GRAY
- STRAIN RELIEF
 - M:W/
 - N:W/O
- CONTACT PLATING
 - 2:GOLD+NICKEL
 - 0: { DS1016 GOLD+NICKEL
DS1018 SELECTIVE GOLD FLASH
 - 8: { DS1016 GOLD+NICKEL
DS1018 FULL GOLD FLASH
 - Si: { DS1016 SELECTIVE GOLD FLASH
DS1018 SELECTIVE GOLD FLASH
- HOUSING COLOR
 - B:BLACK
- CONNECTOR Q'TY
 - 1: 2 CONNECTOR
(1PCS DS1016 ;1PCS DS1018)
- NO.OF CONTACTS

10:10P	20:20P	30:30P	50:50P
14:14P	24:24P	34:34P	60:60P
16:16P	26:26P	40:40P	64:64P

GENERAL TOLERANCE	
X.	±15
.X	±10
.XX	±5

ANGLE TOLERANCE	
X.	±3'
.X	±2'
.XX	±1'

PROJECTION	TITLE
	DS1052 (DS1016,DS1018)
UNITS	mm
SHEET SIZE	A4

SERIES	TITLE
DS1052 SERIES	DS1052 (DS1016,DS1018)

DRAWING TYPE	CUSTOMER		
SCALE	1:1	SHEET	1 OF 1
DRAWING NO.	C-DS1052-XX1XXXXXX2		

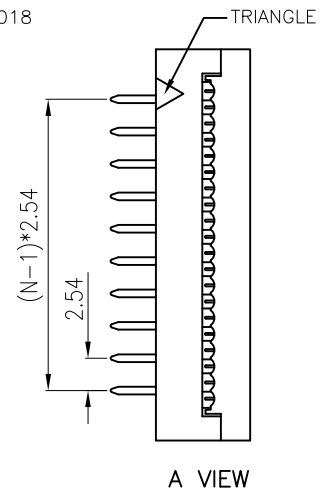
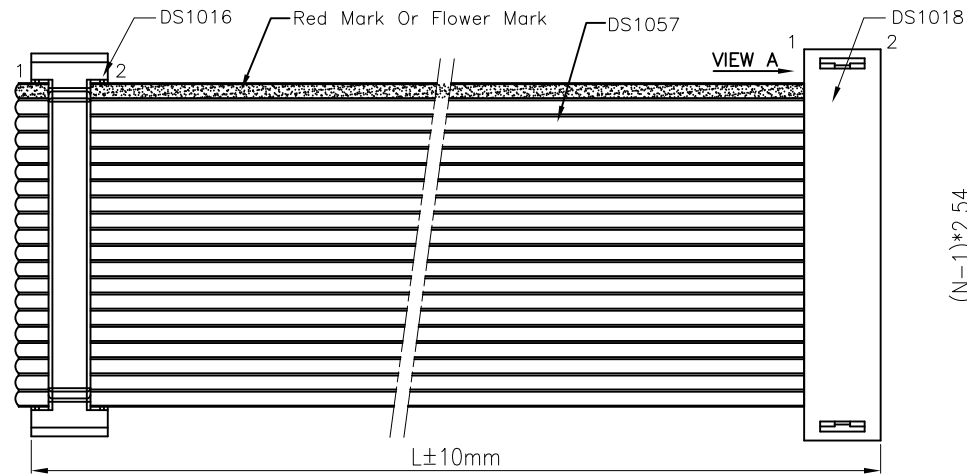
晨翔电子有限公司
CONNFLY CONNFLY ELECTRONIC CO. LTD

REV.	DESCRIPTION	DRAWN	CHECKED	APPROVED
A	NEW RELEASE	YCH 06/12/07'	~	ljc 06/12/07'
B	更改线长代码	YCH 06/28/13'	~	

N:NUMBER OF CONTACTS/2

1. PRODUCT NUMBER CODE:

DS1052 -XX 1 B X X A X X X




- CABLE STYLE
- 3: TYPE 3
- LENGTH DIM L
- 0114:114mm 0120:120mm
- 0290:290mm 3400:3400mm
- 1500:1500mm 0170:170mm
- 2400:2400mm 0280:280mm
- 0085:85mm 0130:130mm
- 4300:4300mm
- WIRE DIAMETER
- 1:∅.100 FOLWER MARK
- 2:∅.127 RED MARK
- 3:∅.100 RED MARK
- 4:∅.127 FOLWER MARK
- FLAT CABLE COLOR
- A:GRAY
- STRAIN RELIEF
- M:W/
- N:W/O
- CONTACT PLATING
- 2:GOLD+NICKEL
- 0: { DS1016 GOLD+NICKEL
- DS1018 SELECTIVE GOLD FLASH
- 8: { DS1016 GOLD+NICKEL
- DS1018 FULL GOLD FLASH
- Si: { DS1016 SELECTIVE GOLD FLASH
- DS1018 SELECTIVE GOLD FLASH
- HOUSING COLOR
- B:BLACK
- CONNECTOR Q'TY
- 1: 2 CONNECTOR
- (1PCS DS1016 ;1PCS DS1018)
- NO.OF CONTACTS
- 10:10P 20:20P 30:30P 50:50P
- 14:14P 24:24P 34:34P 60:60P
- 16:16P 26:26P 40:40P 64:64P



GENERAL TOLERANCE		ANGLE TOLERANCE	
X.	±15	X.	±3'
.X	±10	.X	±2'
.XX	±5	.XX	±1'

DRAWING TYPE		CUSTOMER	
SCALE	1:1	SHEET	1 OF 1
DRAWING NO.	C-DS1052-XX1XXXXXX3		

PROJECTION	TITLE
UNITS	DS1052 (DS1016,DS1018)
SHEET SIZE	SERIES DS1052 SERIES

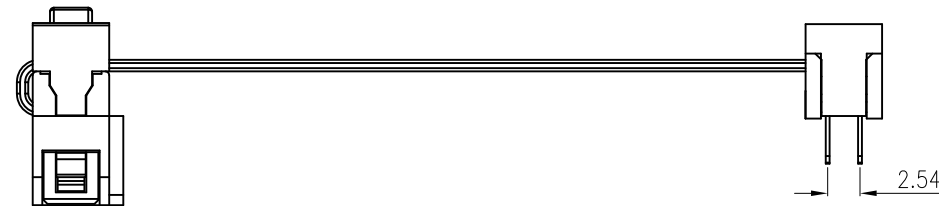
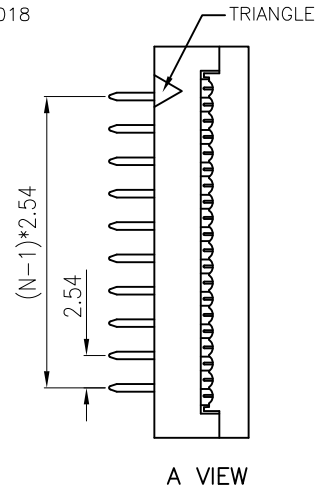
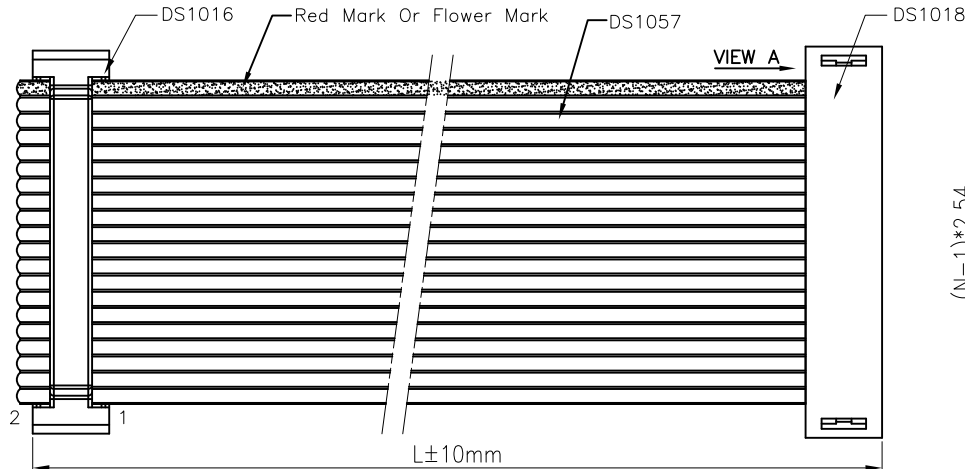
 晨翔电子有限公司
CONNFLY CONNFLY ELECTRONIC CO. LTD

REV.	DESCRIPTION	DRAWN	CHECKED	APPROVED
A	NEW RELEASE	YCH 06/12/07'	~	ljc 06/12/07'
B	更改线长代码	YCH 06/28/13'	~	

N:NUMBER OF CONTACTS/2

1. PRODUCT NUMBER CODE:

DS1052 -XX 1 B X X A X X X



CABLE STYLE	
4: TYPE 4	
LENGTH DIM L	
0114:114mm	0120:120mm
0290:290mm	3400:3400mm
1500:1500mm	0170:170mm
2400:2400mm	0280:280mm
0085:85mm	
4300:4300mm	

WIRE DIAMETER	
1:∅.100 FOLWER MARK	
2:∅.127 RED MARK	
3:∅.100 RED MARK	
4:∅.127 FOLWER MARK	

FLAT CABLE COLOR	
A:GRAY	

STRAIN RELIEF	
M:W/	
N:W/O	

CONTACT PLATING	
2:GOLD+NICKEL	
0: { DS1016 GOLD+NICKEL DS1018 SELECTIVE GOLD FLASH	
8: { DS1016 GOLD+NICKEL DS1018 FULL GOLD FLASH	
S: { DS1016 SELECTIVE GOLD FLASH DS1018 SELECTIVE GOLD FLASH	

HOUSING COLOR	
B:BLACK	

CONNECTOR Q'TY	
1: 2 CONNECTOR (1PCS DS1016 ;1PCS DS1018)	


NO.OF CONTACTS	
10:10P 20:20P 30:30P 50:50P 14:14P 24:24P 34:34P 60:60P 16:16P 26:26P 40:40P 64:64P	

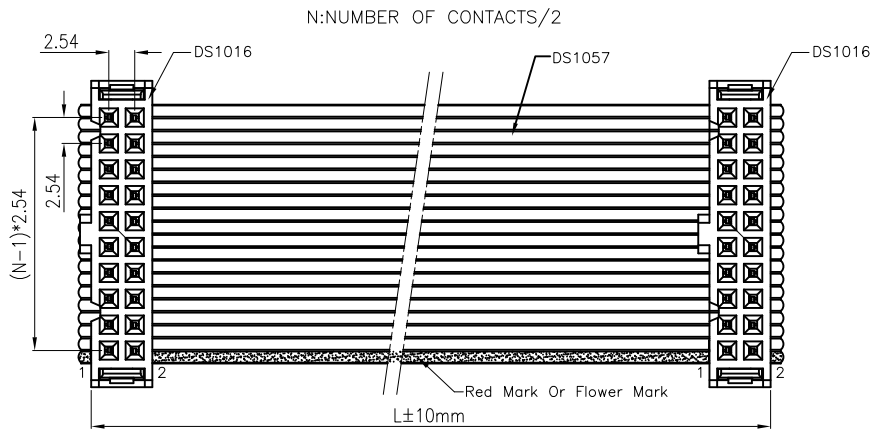
GENERAL TOLERANCE	ANGLE TOLERANCE
X. ±15 .X ±10 .XX ±5	X. ±3° .X ±2° .XX ±1°

PROJECTION	
UNITS	mm
SHEET SIZE	A4

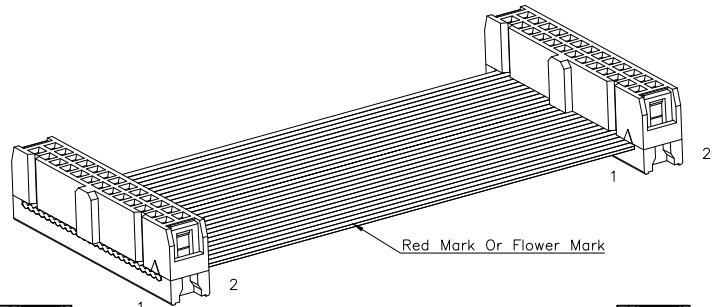
TITLE	DS1052 (DS1016,DS1018)
SERIES	DS1052 SERIES

DRAWING TYPE	CUSTOMER
SCALE	1:1 SHEET 1 OF 1
DRAWING NO.	C-DS1052-XX1XXXXX4

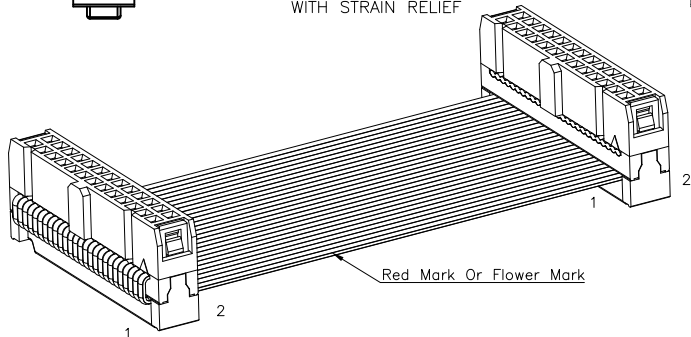
 晨翔电子有限公司
CONNFLY CONNFLY ELECTRONIC CO. LTD



WITHOUT STRAIN RELIEF



WITH STRAIN RELIEF



REV.	DESCRIPTION	DRAWN	CHECKED	APPROVED
A	NEW RELEASE	YCH 06/12/07'	~	LJC 06/12/07'
B	增加端子电镀全镀选项	YCH 11/11/08'	~	LJC 11/11/08'
C	增加胶芯颜色“灰”代码	YCH 07/14/10'	~	LJC 07/14/10'
D	更改线长代码	YCH 06/28/13'	~	

1. PRODUCT NUMBER CODE:

DS1052 -XX 2 B X X A X X X

- CABLE STYLE
- 1: TYPE 1
- LENGTH DIM L
- 0072:72mm 0262:262mm 0150:150mm
- 0100:100mm 0432:432mm 1130:1130mm
- 0171:171mm 0412:412mm 1480:1480mm
- 0200:200mm 0037:37mm 0216:216mm
- 0210:210mm 0112:112mm 0080:80mm
- 0300:300mm 0182:182mm 0120:120mm
- 0610:610mm 0362:362mm 0220:220mm
- 0700:700mm 0422:422mm 1000:1000mm
- 0920:920mm 0350:350mm 5000:5000mm
- 0254:254mm 0085:85mm
- 0350:350mm 0070:70mm
- WIRE DIAMETER
- 1:∅.100 FOLWER MARK
- 2:∅.127 RED MARK
- 3:∅.100 RED MARK
- 4:∅.127 FOLWER MARK
- FLAT CABLE COLOR
- A: GRAY
- STRAIN RELIEF
- M: W/
- N: W/O
- CONTACT PLATING
- 2: GOLD+NICKEL
- N: NICKEL
- HOUSING COLOR
- A:GRAY
- B:BLACK
- CONNECTOR Q'TY
- 2: 2 CONNECTOR (2PCS DS1016)
- NO.OF CONTACTS
- 10:10P 30:30P 20:20P 50:50P
- 14:14P 34:34P 24:24P 60:60P
- 16:16P 40:40P 26:26P 64:64P

GENERAL TOLERANCE		ANGLE TOLERANCE	
X.	±15	X.	±3'
.X	±10	.X	±2'
.XX	±5	.XX	±1'
DRAWING TYPE		CUSTOMER	
SCALE	1:1	SHEET	1 OF 1
DRAWING NO.	C-DS1052-XX2XXXXX1		

PROJECTION	TITLE
	DS1052 (2*DS1016)
UNITS	mm
SHEET SIZE	A4
SERIES	DS1052 SERIES

晨翔电子有限公司
CONNFLY CONNFLY ELECTRONIC CO. LTD

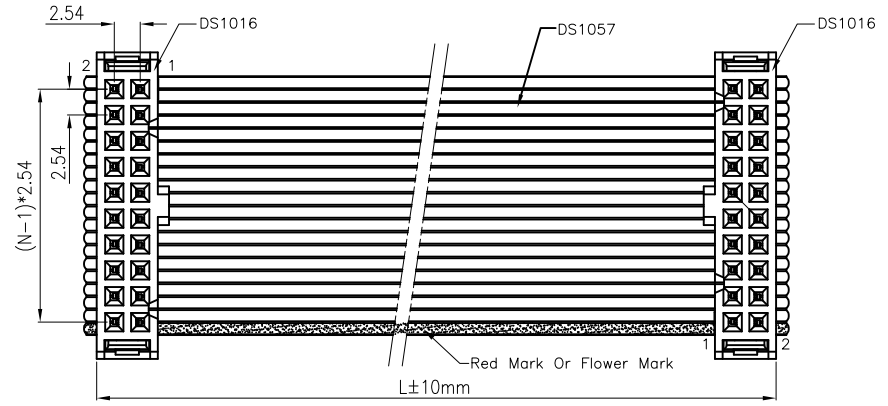
REV.	DESCRIPTION	DRAWN	CHECKED	APPROVED
A	NEW RELEASE	YCH 06/12/07'	~	LJC 06/12/07'
B	增加端子电镀全镀选项	YCH 11/11/08'	~	LJC 11/11/08'
C	增加胶芯颜色“灰”代码	YCH 07/14/10'	~	LJC 07/14/10'
D	更改线长代码	YCH 06/28/13'	~	

1. PRODUCT NUMBER CODE:

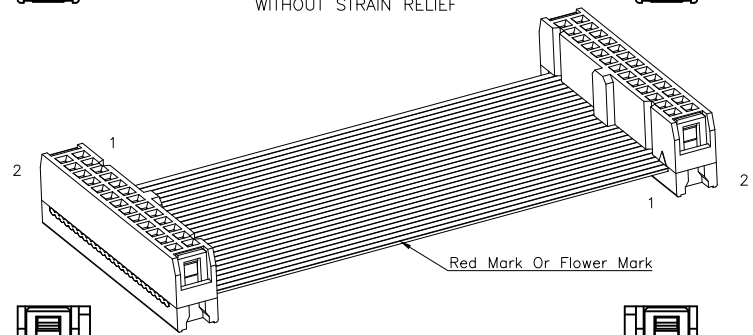
DS1052 -XX 2 B X X A X X X

- CABLE STYLE
- 2: TYPE 2
- LENGTH DIM L
 - 0072:72mm 0254:254mm
 - 0100:100mm 0350:350mm
 - 0171:171mm 0262:262mm
 - 0200:200mm 0432:432mm
 - 0210:210mm 0070:70mm
 - 0300:300mm 0150:150mm
 - 0610:610mm 1130:1130mm
 - 0700:700mm 1480:1480mm
 - 0920:920mm
- WIRE DIAMETER
 - 1:φ0.100 FOLWER MARK
 - 2:φ0.127 RED MARK
 - 3:φ0.100 RED MARK
 - 4:φ0.127 FOLWER MARK
- FLAT CABLE COLOR
 - A: GRAY
- STRAIN RELIEF
 - M: W/
 - N: W/O
- CONTACT PLATING
 - 2: GOLD+NICKEL
 - N: NICKEL
- HOUSING COLOR
 - A:GRAY
 - B:BLACK
- CONNECTOR Q'TY
 - 2: 2 CONNECTOR (2PCS DS1016)
- NO.OF CONTACTS
 - 10:10P 30:30P 20:20P 50:50P
 - 14:14P 34:34P 24:24P 60:60P
 - 16:16P 40:40P 26:26P 64:64P

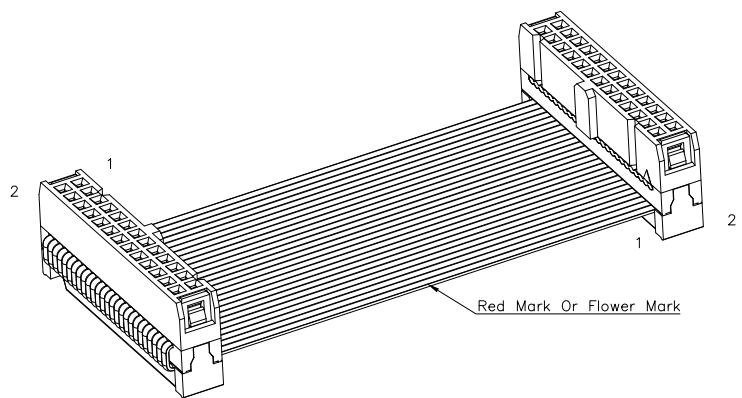
N:NUMBER OF CONTACTS/2



WITHOUT STRAIN RELIEF



WITH STRAIN RELIEF

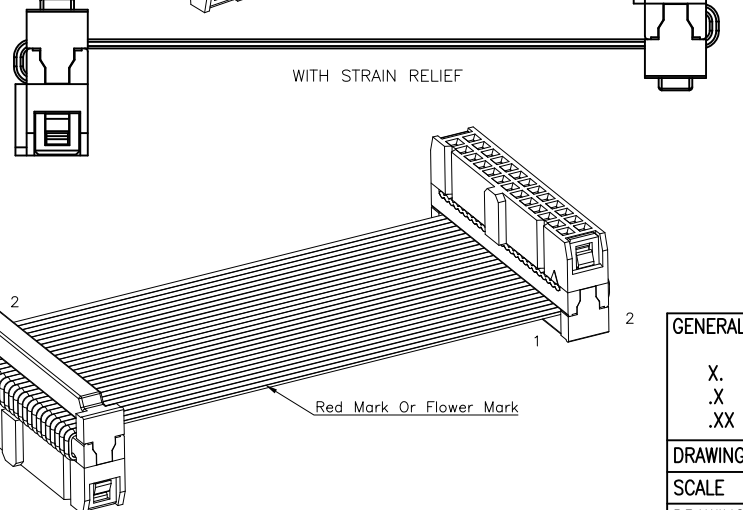
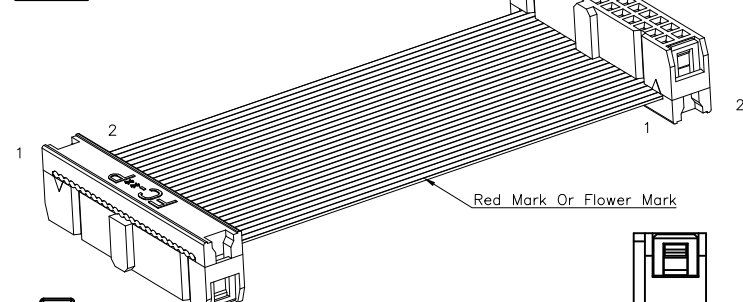
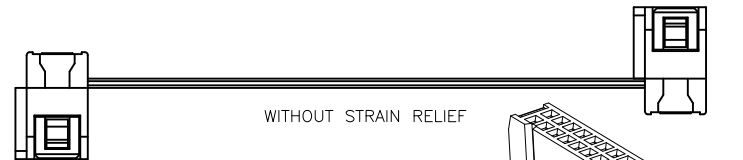
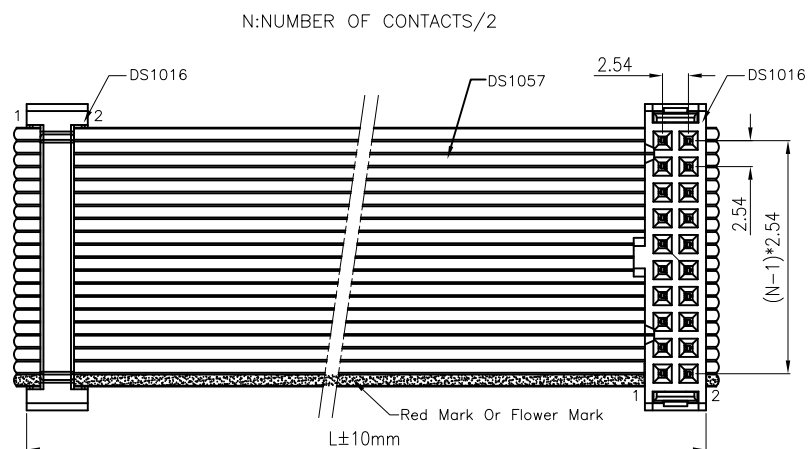


GENERAL TOLERANCE		ANGLE TOLERANCE	
X.	±15	X.	±3'
.X	±10	.X	±2'
.XX	±5	.XX	±1'

DRAWING TYPE	CUSTOMER		
SCALE	1:1	SHEET	1 OF 1
DRAWING NO.	C-DS1052-XX2XXXXXX2		

PROJECTION		TITLE	DS1052 (2*DS1016)	
UNITS	mm	SERIES	DS1052 SERIES	
SHEET SIZE	A4			

晨翔电子有限公司
CONNFLY CONNFLY ELECTRONIC CO. LTD



REV.	DESCRIPTION	DRAWN	CHECKED	APPROVED
A	NEW RELEASE	YCH 06/12/07'	~	LJC 06/12/07'
B	增加端子电镀全镀选项	YCH 11/11/08'	~	LJC 11/11/08'
C	增加胶芯颜色“灰”代码	YCH 07/14/10'	~	LJC 07/14/10'
D	更改线长代码	YCH 06/28/13'	~	

1. PRODUCT NUMBER CODE:


- DS1052 -XX 2 B X X A X X X
- CABLE STYLE
 - 3: TYPE 3
 - LENGTH DIM L

0072:72mm	0254:254mm
0100:100mm	0350:350mm
0171:171mm	0262:262mm
0200:200mm	0432:432mm
0210:210mm	
0300:300mm	
0610:610mm	
0700:700mm	
0920:920mm	
 - WIRE DIAMETER
 - 1:φ0.100 FOLWER MARK
 - 2:φ0.127 RED MARK
 - 3:φ0.100 RED MARK
 - 4:φ0.127 FOLWER MARK
 - FLAT CABLE COLOR
 - A: GRAY
 - STRAIN RELIEF
 - M: W/
 - N: W/O
 - CONTACT PLATING
 - 2: GOLD+NICKEL
 - N: NICKEL
 - HOUSING COLOR
 - A:GRAY
 - B:BLACK
 - CONNECTOR Q'TY
 - 2: 2 CONNECTOR (2PCS DS1016)
 - NO.OF CONTACTS

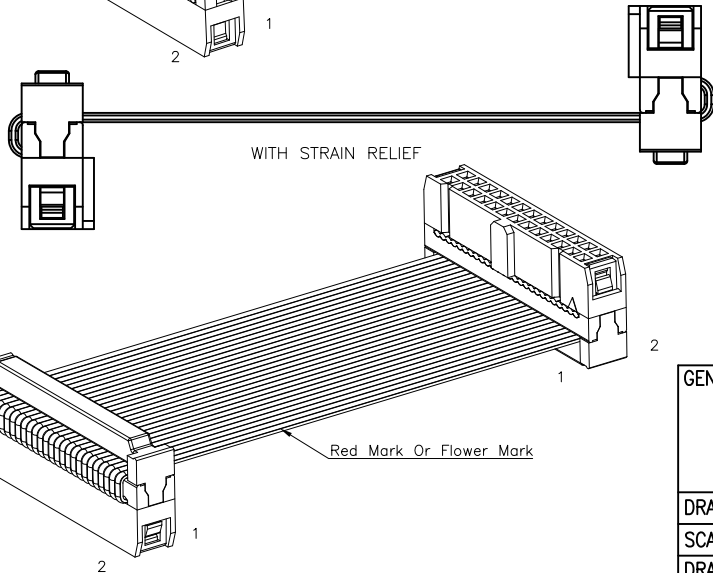
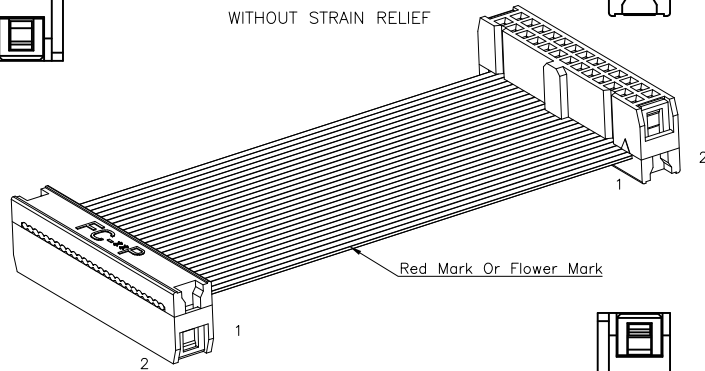
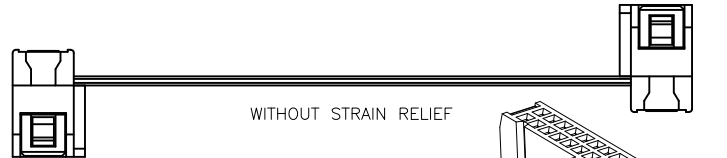
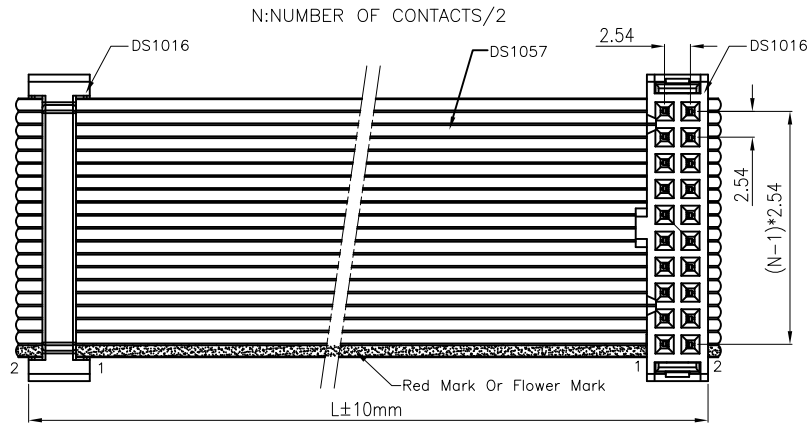
10:10P	30:30P	20:20P	50:50P
14:14P	34:34P	24:24P	60:60P
16:16P	40:40P	26:26P	64:64P

GENERAL TOLERANCE		ANGLE TOLERANCE	
X.	±15	X.	±3'
.X	±10	.X	±2'
.XX	±5	.XX	±1'
DRAWING TYPE	CUSTOMER		
SCALE	1:1	SHEET	1 OF 1
DRAWING NO.	C-DS1052-XX2XXXXXX3		

PROJECTION	TITLE
UNITS	DS1052 (2*DS1016)
SHEET SIZE	SERIES DS1052 SERIES


晨翔电子有限公司
CONFLY CONFLY ELECTRONIC CO. LTD

REV.	DESCRIPTION	DRAWN	CHECKED	APPROVED
A	NEW RELEASE	YCH 06/12/07'	~	LJC 06/12/07'
B	增加端子电镀全镀选项	YCH 11/11/08'	~	LJC 11/11/08'
C	增加胶芯颜色“灰”代码	YCH 07/14/10'	~	LJC 07/14/10'
D	更改线长代码	YCH 06/28/13'	~	




1. PRODUCT NUMBER CODE:

DS1052 -XX 2 B X X A X X X

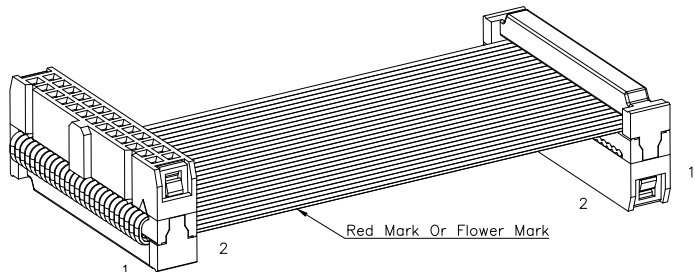
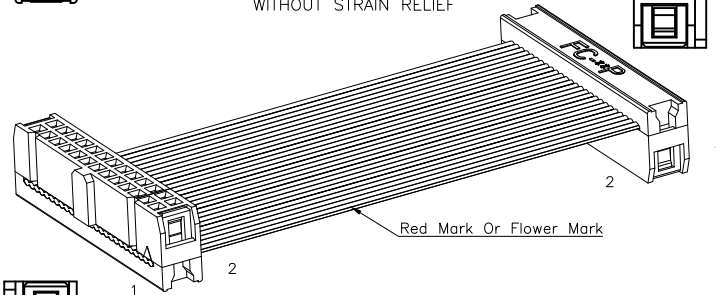
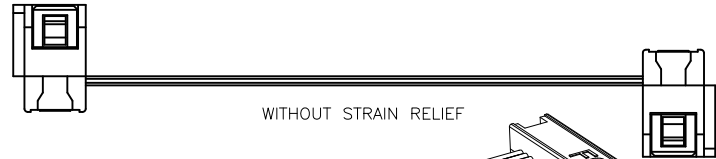
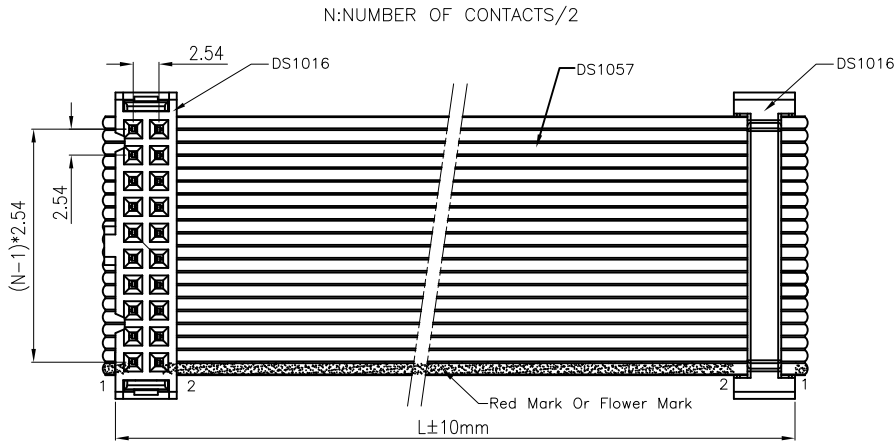
- CABLE STYLE
- 4: TYPE 4
- LENGTH DIM L
- 0072:72mm 0254:254mm
- 0100:100mm 0350:350mm
- 0171:171mm 0262:262mm
- 0200:200mm 0432:432mm
- 0210:210mm 0112:112mm
- 0300:300mm 0512:512mm
- 0610:610mm 0190:190mm
- 0700:700mm
- 0920:920mm
- WIRE DIAMETER
- 1:φ0.100 FOLWER MARK
- 2:φ0.127 RED MARK
- 3:φ0.100 RED MARK
- 4:φ0.127 FOLWER MARK
- FLAT CABLE COLOR
- A: GRAY
- STRAIN RELIEF
- M: W/
- N: W/O
- CONTACT PLATING
- 2: GOLD+NICKEL
- N: NICKEL
- HOUSING COLOR
- A:GRAY
- B:BLACK
- CONNECTOR Q'TY
- 2: 2 CONNECTOR (2PCS DS1016)
- NO.OF CONTACTS
- 10:10P 30:30P 20:20P 50:50P
- 14:14P 34:34P 24:24P 60:60P
- 16:16P 40:40P 26:26P 64:64P

GENERAL TOLERANCE		ANGLE TOLERANCE	
X.	±15	X.	±3'
.X	±10	.X	±2'
.XX	±5	.XX	±1'
DRAWING TYPE		CUSTOMER	
SCALE	1:1	SHEET	1 OF 1
DRAWING NO.	C-DS1052-XX2XXXXX4		

PROJECTION	TITLE
UNITS	DS1052 (2*DS1016)
SHEET SIZE	SERIES DS1052 SERIES

 晨翔电子有限公司
CONNFLY CONNFLY ELECTRONIC CO. LTD

REV.	DESCRIPTION	DRAWN	CHECKED	APPROVED
A	NEW RELEASE	YCH 06/12/07'	~	LJC 06/12/07'
B	增加端子电镀全镀选项	YCH 11/11/08'	~	LJC 11/11/08'
C	增加胶芯颜色“灰”代码	YCH 07/14/10'	~	LJC 07/14/10'
D	更改线长代码	YCH 06/28/13'	~	



1. PRODUCT NUMBER CODE:

DS1052 -XX 2 B X X A X X X

CABLE STYLE
5: TYPE 5
LENGTH DIM L
0240:240mm
0300:300mm

WIRE DIAMETER
1:φ0.100 FOLWER MARK
2:φ0.127 RED MARK
3:φ0.100 RED MARK
4:φ0.127 FOLWER MARK

FLAT CABLE COLOR
A: GRAY

STRAIN RELIEF
M: W/
N: W/O

CONTACT PLATING
2: GOLD+NICKEL
N: NICKEL

HOUSING COLOR
A:GRAY
B:BLACK

CONNECTOR Q'TY
2: 2 CONNECTOR (2PCS DS1016)

NO.OF CONTACTS
10:10P 30:30P 20:20P 50:50P
14:14P 34:34P 24:24P 60:60P
16:16P 40:40P 26:26P 64:64P

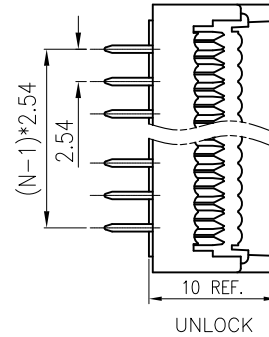
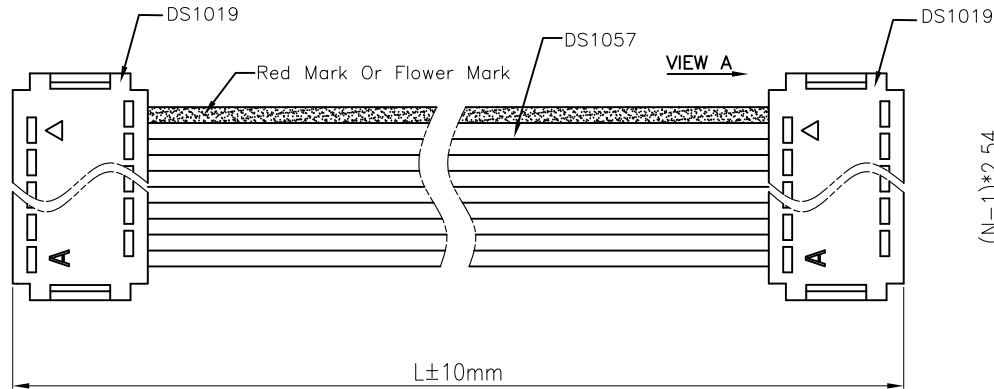
GENERAL TOLERANCE		ANGLE TOLERANCE	
X.	±15	X.	±3'
.X	±10	.X	±2'
.XX	±5	.XX	±1'
DRAWING TYPE		CUSTOMER	
SCALE		1:1	SHEET 1 OF 1
DRAWING NO.		C-DS1052-XX2XXXXXX5	

PROJECTION	TITLE
	DS1052 (2*DS1016)
UNITS	mm
SHEET SIZE	A4
SERIES	DS1052 SERIES

晨翔电子有限公司
CONNFLY CONNFLY ELECTRONIC CO. LTD

REV.	DESCRIPTION	DRAWN	CHECKED	APPROVED
A	NEW RELEASE	YCH 06/12/07'	~	ljc 06/12/07'
B	更改线长代码	YCH 06/28/13'	~	

N:NUMBER OF CONTACTS/2



1. PRODUCT NUMBER CODE:

DS1052 -XX 3 B X A X X

LENGTH DIM L
0125:125mm

WIRE DIAMETER

- 1:∅0.100 FOLWER MARK
- 2:∅0.127 RED MARK
- 3:∅0.100 RED MARK
- 4:∅0.127 FOLWER MARK

FLAT CABLE COLOR

A:GRAY

CONTACT PLATING

- 0:SELECTIVE GOLD FLASH
- 2:GOLD+NICKEL
- 8:ALL GOLD FLASH

HOUSING COLOR

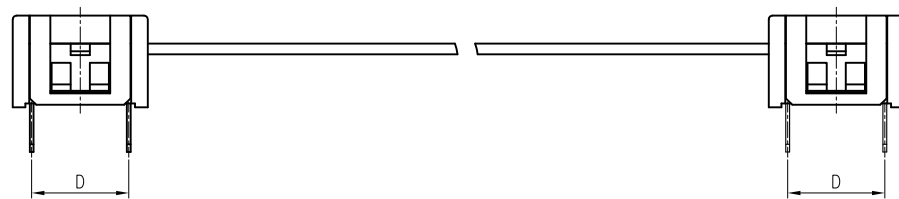
B:BLACK

CONNECTOR Q'TY

3: 2 CONNECTOR (2PCS DS1019)

NO.OF CONTACTS

- 10:10P (Dim D=7.62)
- 14:14P (Dim D=7.62)
- 16:16P (Dim D=7.62)
- 18:18P (Dim D=7.62)
- 20:20P (Dim D=7.62)
- 24:24P (Dim D=15.24)
- 28:28P (Dim D=15.24)
- 40:40P (Dim D=15.24)



GENERAL TOLERANCE

X. ±15
.X ±10
.XX ±5

ANGLE TOLERANCE

X. ±3'
.X ±2'
.XX ±1'

PROJECTION



TITLE

DS1052 (2*DS1019)

UNITS

mm

SHEET SIZE

A4

SERIES

DS1052 SERIES

DRAWING TYPE

CUSTOMER

SCALE

1:1

SHEET

1 OF 1

DRAWING NO.

C-DS1052-XX3XXXXX



晨翔电子有限公司

CONNFLY CONNFLY ELECTRONIC CO. LTD