

LMG6382QHR

256 * 64 DOT

LCD MODULE

REFLECTIVE FILM BLACK & WHITE MODE

WITH BUILT - IN CONTROLLER AND RAM



5. ABSOLUTE MAXIMUM RATINGS

5.1 ELECTRICAL ABSOLUTE MAXIMUM RATINGS.

I T E M	SYMBOL	MIN.	TYP.	MAX.	UNIT
POWER SUPPLY FOR LOGIC	VDD-VSS	0	-	7.0	V
POWER SUPPLY FOR DRIVE	VDD-VEE	0	-	22.0	V
INPUT VOLTAGE	VI	VSS	-	VDD	V
STATIC ELECTRICITY	-	-	-	100	V

5.2 ENVIRONMENTAL ABSOLUTE MAXIMUM RATINGS

I T E M	OPERATING		STORAGE		C O M M E N T
	MIN.	MAX.	MIN.	MAX.	
AMBIENT TEMPERATURE	0 °C	40 °C	-20 °C	60 °C	NOTE(2,3)
HUMIDITY	NOTE(1)		NOTE(1)		WITHOUT CONDENSATION
VIBRATION	—	4.9m/s ² (0.5G)	—	19.6m/s ² (2G)	XYZ DIRECTION
SHOCK	—	29.4m/s ² (3G)	—	490.0m/s ² (50G)	
CORROSIVE GAS	NOT ACCEPTABLE		NOT ACCEPTABLE		

NOTE(1) Ta ≤ 40 °C : 85%RH max.

Ta > 40 °C : ABSOLUTE HUMIDITY MUST BE LOWER THAN THE HUMIDITY
OF 85%RH AT 40 °C

NOTE(2) Ta AT -20 °C < 48hr.

NOTE(3) BACKGROUND COLOR OF LCD

0 °C : ORANGISH-GRAY

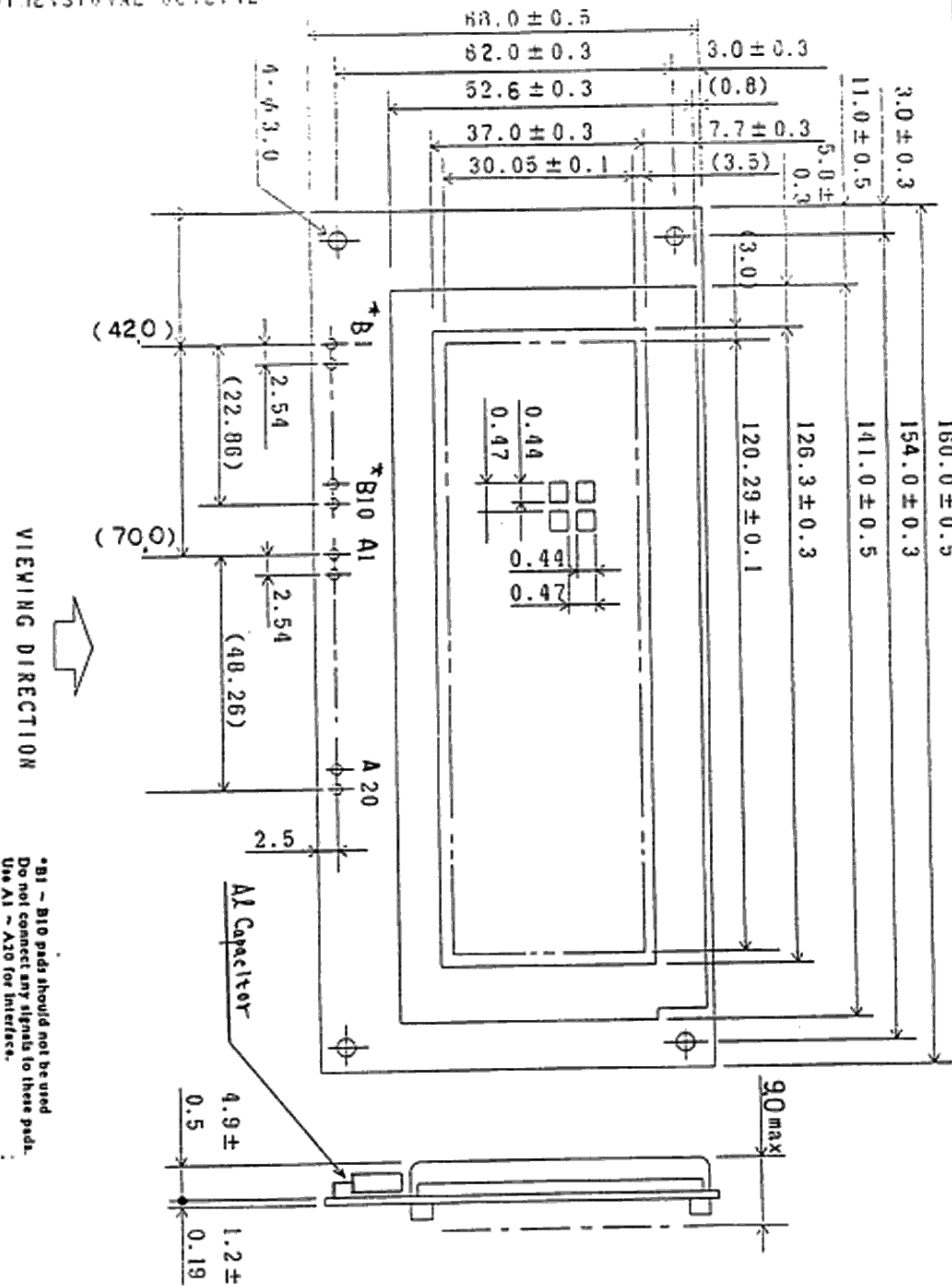


25 °C : LIGHT-GRAY



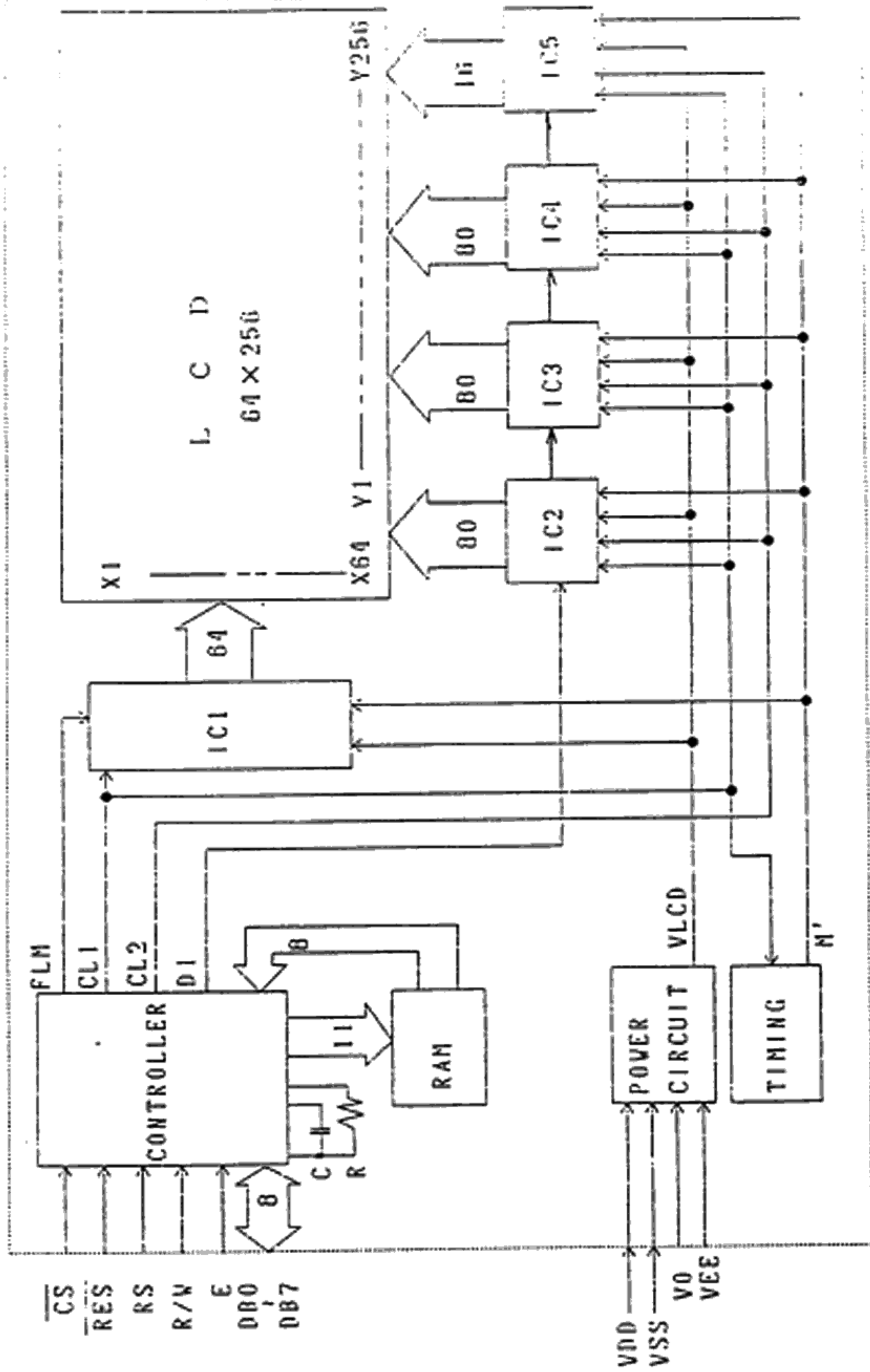
40 °C : PURPLISH-GRAY

B. DIMENSIONAL OUTLINE



* B1 ~ B10 pads should not be used
Do not connect any signals to these pads.
Use A1 ~ A20 for interface.

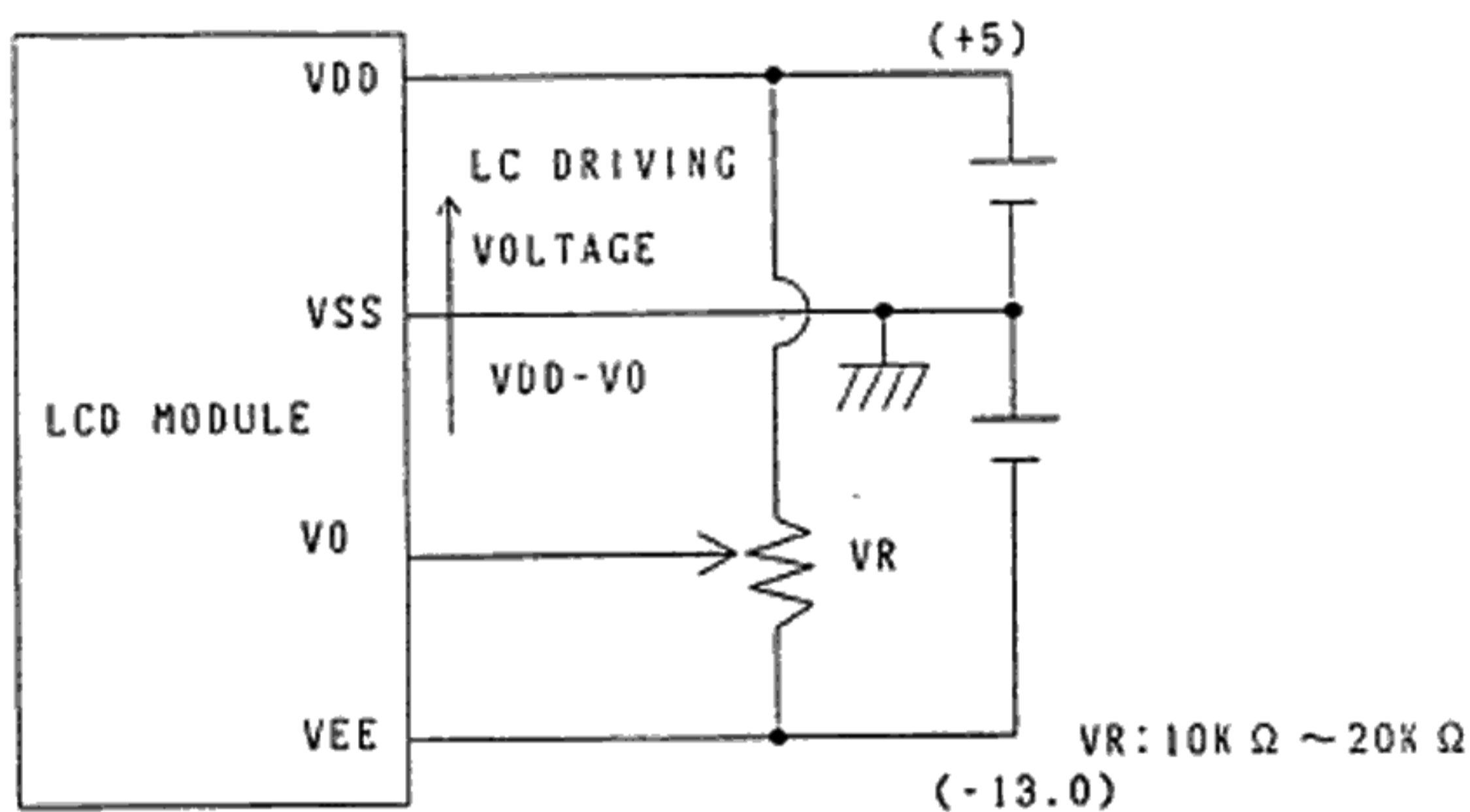
9. BLOCK DIAGRAM



BLOCK DIAGRAM

FIG. 1-1

11 POWER SUPPLY FOR LCD MODULE



12. POWER AND INTERFACE TIMING SEQUENCE

