

## FEATURES

- GND to  $V_{CC}$  Single-Ended Input Range
- 0.02LSB RMS Noise
- 2LSB INL, No Missing Codes
- 2LSB Offset Error
- 4LSB Full-Scale Error
- Single Conversion Settling Time for Multiplexed Applications
- Single Cycle Operation with Auto Shutdown
- 350 $\mu$ A Supply Current
- 50nA Sleep Current
- 30 Conversions Per Second
- Internal Oscillator—No External Components Required
- Single Supply, 2.7V to 5.5V Operation
- SPI Interface
- Ultra-Tiny 2mm  $\times$  2mm DFN Package

## APPLICATIONS

- System Monitoring
- Environmental Monitoring
- Direct Temperature Measurements
- Instrumentation
- Industrial Process Control
- Data Acquisition
- Embedded ADC Upgrades

$\Delta$ , LT, LTC and LTM are registered trademarks of Linear Technology Corporation. East Drive is a trademark of Linear Technology Corporation. All other trademarks are the property of their respective owners. Protected by U.S. Patents including 6208279, 6411242, 7088280, 7164378.

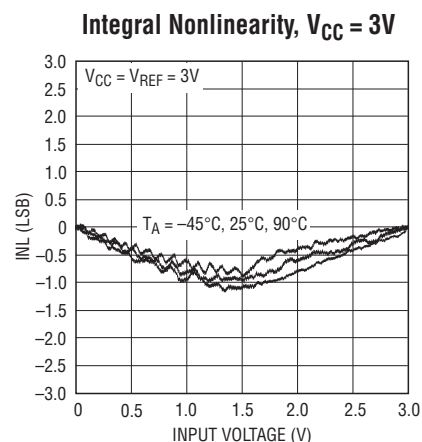
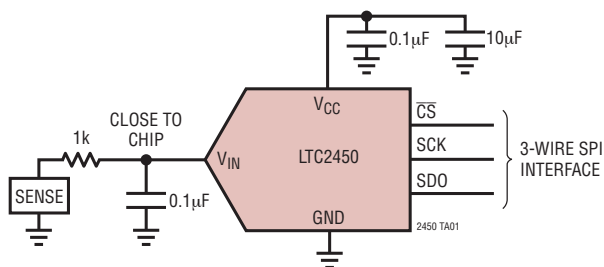
## DESCRIPTION

The LTC<sup>®</sup>2450 is an ultra-tiny 16-bit analog-to-digital converter. The LTC2450 uses a single 2.7V to 5.5V supply, accepts a single-ended analog input voltage, and communicates through an SPI interface. It includes an integrated oscillator that does not require any external components. It uses a delta-sigma modulator as a converter core and provides single-cycle settling time for multiplexed applications. The converter is available in a 6-pin, 2mm  $\times$  2mm DFN package. The internal oscillator does not require any external components. The LTC2450 includes a proprietary input sampling scheme that reduces the average input sampling current several orders of magnitude.

The LTC2450 is capable of up to 30 conversions per second and, due to the very large oversampling ratio, has extremely relaxed antialiasing requirements. The LTC2450 includes continuous internal offset and full-scale calibration algorithms which are transparent to the user, ensuring accuracy over time and over the operating temperature range. The converter uses its power supply voltage as the reference voltage and the single-ended, rail-to-rail input voltage range extends from GND to  $V_{CC}$ .

Following a conversion, the LTC2450 can automatically enter a sleep mode and reduce its power to less than 200nA. If the user samples the ADC once a second, the LTC2450 consumes an average of less than 50 $\mu$ W from a 2.7V supply.

## TYPICAL APPLICATION



2450 G02

2450fb

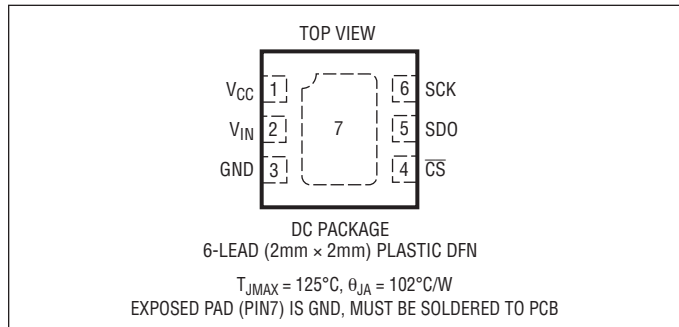
# LTC2450

## ABSOLUTE MAXIMUM RATINGS

(Notes 1, 2)

Supply Voltage ( $V_{CC}$ )	-0.3V to 6V
Analog Input Voltage ( $V_{IN}$ )	-0.3V to ( $V_{CC} + 0.3V$ )
Digital Input Voltage	-0.3V to ( $V_{CC} + 0.3V$ )
Digital Output Voltage	-0.3V to ( $V_{CC} + 0.3V$ )
Operating Temperature Range	
LTC2450C	0°C to 70°C
LTC2450I	-40°C to 85°C
Storage Temperature Range	-65°C to 150°C
Lead Temperature (Soldering, 10sec)	300°C

## PIN CONFIGURATION



## ORDER INFORMATION

### Lead Free Finish

TAPE AND REEL (MINI)	TAPE AND REEL	PART MARKING*	PACKAGE DESCRIPTION	TEMPERATURE RANGE
LTC2450CDC#TRMPBF	LTC2450CDC#TRPBF	LCTR	6-Lead (2mm x 2mm) Plastic DFN	0°C to 70°C
LTC2450IDC#TRMPBF	LTC2450IDC#TRPBF	LCTR	6-Lead (2mm x 2mm) Plastic DFN	-40°C to 85°C

TRM = 500 pieces. \*Temperature grades are identified by a label on the shipping container.

Consult LTC Marketing for parts specified with wider operating temperature ranges.

Consult LTC Marketing for information on lead based finish parts.

For more information on lead free part marking, go to: <http://www.linear.com/leadfree/>

For more information on tape and reel specifications, go to: <http://www.linear.com/tapeandreel/>

## ELECTRICAL CHARACTERISTICS

The ● denotes the specifications which apply over the full operating temperature range, otherwise specifications are at  $T_A = 25^\circ\text{C}$ . (Note 2)

PARAMETER	CONDITIONS	MIN	TYP	MAX	UNITS
Resolution (No missing codes)	(Note 3) ●	16			Bits
Integral Nonlinearity	(Note 4) ●		2	10	LSB
Offset Error	●		2	8	LSB
Offset Error Drift			0.02		LSB/°C
Gain Error	●		0.01	0.02	% of FS
Gain Error Drift			0.02		LSB/°C
Transition Noise			1.4		$\mu\text{V}_{\text{RMS}}$

## ANALOG INPUT

The ● denotes the specifications which apply over the full operating temperature range, otherwise specifications are at  $T_A = 25^\circ\text{C}$ .

SYMBOL	PARAMETER	CONDITIONS	MIN	TYP	MAX	UNITS
$V_{IN}$	Input Voltage Range	●	0		$V_{CC}$	
$C_{IN}$	IN Sampling Capacitance			0.35		pF
$I_{DC\_LEAK}(V_{IN})$	IN DC Leakage Current	$V_{IN} = \text{GND}$ (Note 5) ●	-10	1	10	nA
		$V_{IN} = V_{CC}$ (Note 5) ●	-10	1	10	nA
$I_{CONV}$	Input Sampling Current (Note 9)			50		nA

2450fb

## POWER REQUIREMENTS

The ● denotes the specifications which apply over the full operating temperature range, otherwise specifications are at  $T_A = 25^\circ\text{C}$ .

SYMBOL	PARAMETER	CONDITIONS	MIN	TYP	MAX	UNITS
$V_{CC}$	Supply Voltage		● 2.7		5.5	V
$I_{CC}$	Supply Current Conversion Sleep	$\overline{CS} = \text{GND}$ (Note 6)	●	350	600	$\mu\text{A}$
		$\overline{CS} = V_{CC}$ (Note 6)	●	0.05	0.5	$\mu\text{A}$

## DIGITAL INPUTS AND DIGITAL OUTPUTS

The ● denotes the specifications which apply over the full operating temperature range, otherwise specifications are at  $T_A = 25^\circ\text{C}$ . (Note 2)

SYMBOL	PARAMETER	CONDITIONS	MIN	TYP	MAX	UNITS
$V_{IH}$	High Level Input Voltage		● $V_{CC} - 0.3$			V
$V_{IL}$	Low Level Input Voltage				● 0.3	V
$I_{IN}$	Digital Input Current		● -10		10	$\mu\text{A}$
$C_{IN}$	Digital Input Capacitance			10		pF
$V_{OH}$	High Level Output Voltage	$I_O = -800\mu\text{A}$	● $V_{CC} - 0.5$			V
$V_{OL}$	Low Level Output Voltage	$I_O = -1.6\text{mA}$	●		0.4	V
$I_{OZ}$	Hi-Z Output Leakage Current		● -10		10	$\mu\text{A}$

## TIMING CHARACTERISTICS

The ● denotes the specifications which apply over the full operating temperature range, otherwise specifications are at  $T_A = 25^\circ\text{C}$ .

SYMBOL	PARAMETER	CONDITIONS	MIN	TYP	MAX	UNITS
$t_{CONV}$	Conversion Time		● 29	33.3	42	ms
$f_{SCK}$	SCK Frequency Range				● 2	MHz
$t_{ISCK}$	SCK Low Period		● 250			ns
$t_{HSCK}$	SCK High Period		● 250			ns
$t_1$	$\overline{CS}$ Falling Edge to SDO Low Z	(Notes 7, 8)	● 0		100	ns
$t_2$	$\overline{CS}$ Rising Edge to SDO High Z	(Notes 7, 8)	● 0		100	ns
$t_3$	$\overline{CS}$ Falling Edge to SCK Falling Edge		● 100			ns
$t_{KQ}$	SCK Falling Edge to SDO Valid	(Note 7)	● 0		100	ns

**Note 1:** Stresses beyond those listed under Absolute Maximum Ratings may cause permanent damage to the device. Exposure to any Absolute Maximum Rating condition for extended periods may affect device reliability and lifetime.

**Note 2:** All voltage values are with respect to GND.  $V_{CC} = 2.7\text{V}$  to  $5.5\text{V}$  unless otherwise specified.

**Note 3:** Guaranteed by design, not subject to test.

**Note 4:** Integral nonlinearity is defined as the deviation of a code from a straight line passing through the actual endpoints of the transfer curve. The deviation is measured from the center of the quantization band. Guaranteed by design, test correlation and 3 point transfer curve measurement.

**Note 5:**  $\overline{CS} = V_{CC}$ . A positive current is flowing into the DUT pin.

**Note 6:**  $SCK = V_{CC}$  or GND. SDO is high impedance.

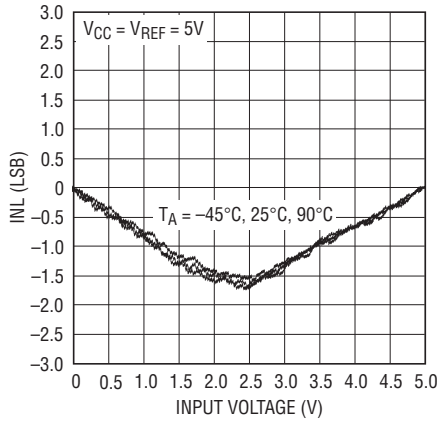
**Note 7:** See Figure 3.

**Note 8:** See Figure 4.

**Note 9:** Input sampling current is the average input current drawn from the input sampling network while the LTC2450 is actively sampling the input.

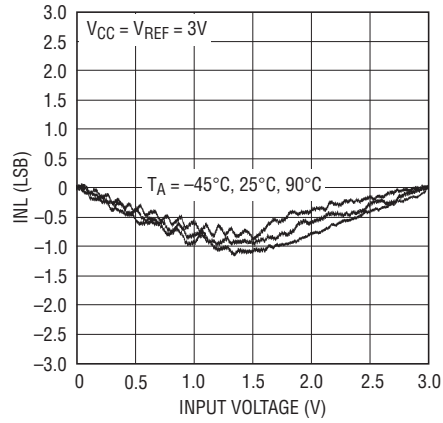
TYPICAL PERFORMANCE CHARACTERISTICS

Integral Nonlinearity,  $V_{CC} = 5V$



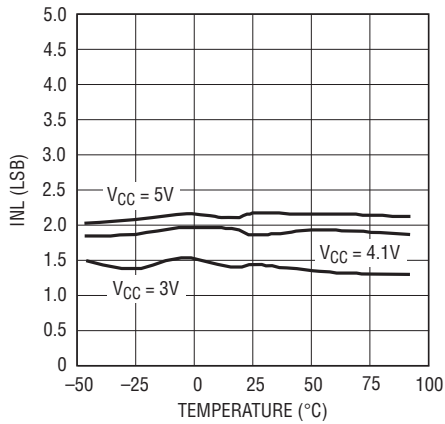
2450 G01

Integral Nonlinearity,  $V_{CC} = 3V$



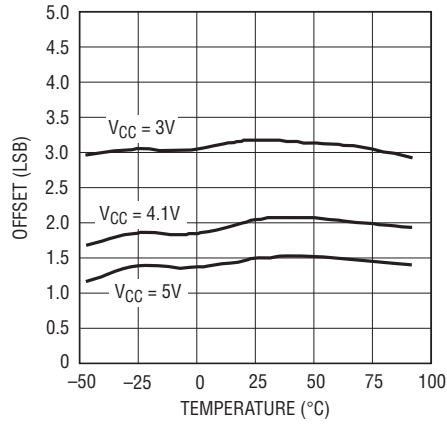
2450 G02

Maximum INL vs Temperature



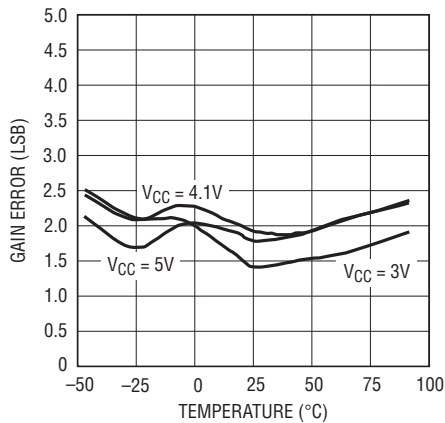
2450 G03

Offset Error vs Temperature



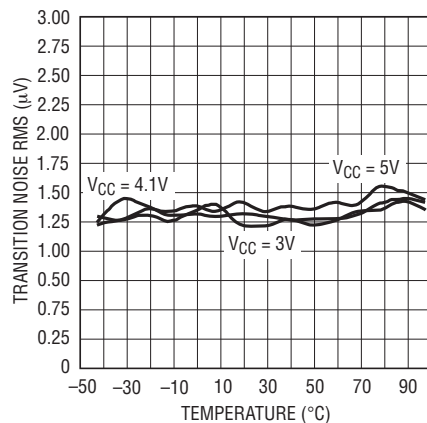
2450 G04

Gain Error vs Temperature



2450 G05

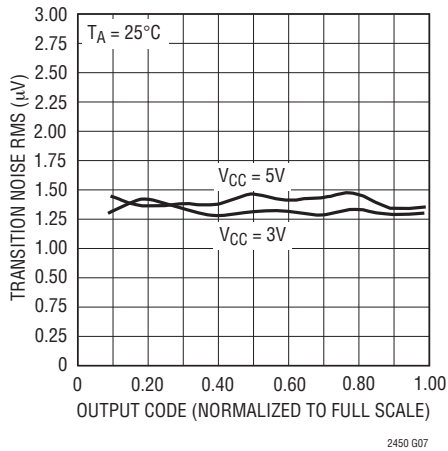
Transition Noise vs Temperature



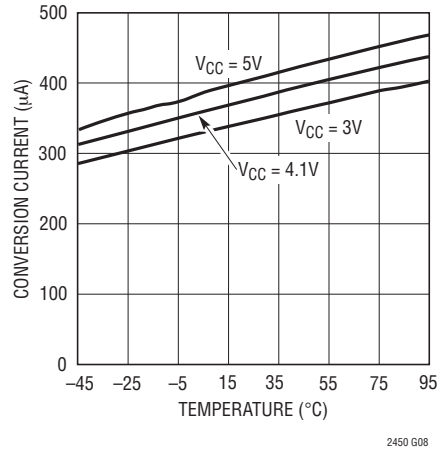
2450 G06

# TYPICAL PERFORMANCE CHARACTERISTICS

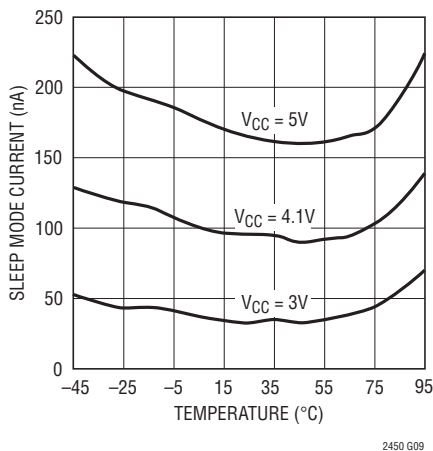
**Transition Noise vs Output Code**



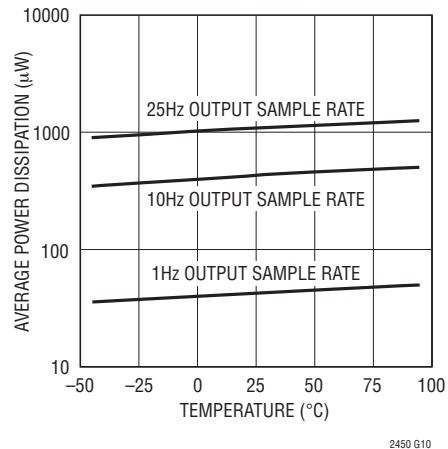
**Conversion Mode Power Supply Current vs Temperature**



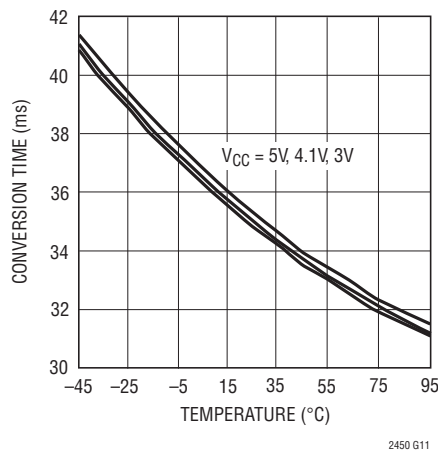
**Sleep Mode Power Supply Current vs Temperature**



**Average Power Dissipation vs Temperature, V<sub>CC</sub> = 3V**



**Conversion Period vs Temperature**



## PIN FUNCTIONS

**V<sub>CC</sub> (Pin 1):** Positive Supply Voltage and Converter Reference Voltage. Bypass to GND (Pin 3) with a 10 $\mu$ F capacitor in parallel with a low series inductance 0.1 $\mu$ F capacitor located as close to the part as possible.

**V<sub>IN</sub> (Pin 2):** Analog Input Voltage.

**GND (Pin 3):** Ground. Connect to a ground plane through a low impedance connection.

**$\overline{\text{CS}}$  (Pin 4):** Chip Select Active LOW Digital Input. A LOW on this pin enables the SDO digital output. A HIGH on this pin places the SDO output pin in a high impedance state.

**SDO (Pin 5):** Three-State Serial Data Output. SDO is used for serial data output during the DATA OUTPUT state and can be used to monitor the conversion status.

**SCK (Pin 6):** Serial Clock Input. SCK synchronizes the serial data output. While digital data is available (the ADC is not in CONVERT state) and  $\overline{\text{CS}}$  is LOW (ADC is not in SLEEP state) a new data bit is produced at the SDO output pin following every falling edge applied to the SCK pin.

**Exposed Pad (Pin 7):** Ground. The Exposed Pad must be soldered to the same point as Pin 3.

## FUNCTIONAL BLOCK DIAGRAM

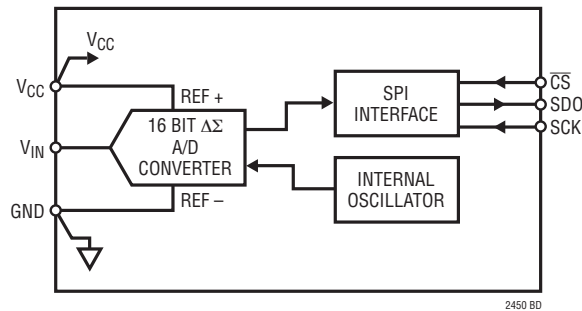


Figure 1. Functional Block Diagram

## APPLICATIONS INFORMATION

### CONVERTER OPERATION

#### Converter Operation Cycle

The LTC2450 is a low power, delta-sigma analog-to-digital converter with a simple 3-wire interface (see Figure 1). Its operation is composed of three successive states: CONVERT, SLEEP and DATA OUTPUT. The operating cycle begins with the CONVERT state, is followed by the SLEEP state and ends with the DATA OUTPUT state (see Figure 2). The 3-wire interface consists of serial data output (SDO), serial clock input (SCK) and the active low chip select input ( $\overline{CS}$ ).

The CONVERT state duration is determined by the LTC2450 conversion time (nominally 33.3 milliseconds). Once started, this operation can not be aborted except by a low power supply condition ( $V_{CC} < 2.1V$ ) which generates an internal power-on reset signal.

After the completion of a conversion, the LTC2450 enters the SLEEP state and remains here until both the chip select and clock inputs are low ( $\overline{CS} = SCK = LOW$ ). Following this condition the ADC transitions into the DATA OUTPUT state.

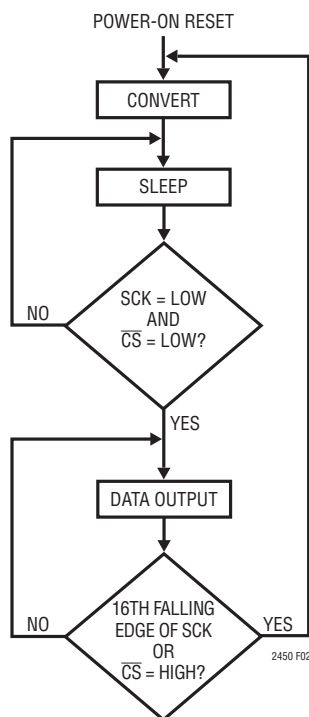


Figure 2. LTC2450 State Transition Diagram

While in the SLEEP state, whenever the chip select input is pulled high ( $\overline{CS} = HIGH$ ), the LTC2450's power supply current is reduced to less than 200nA. When the chip select input is pulled low ( $\overline{CS} = LOW$ ), and SCK is maintained at a HIGH logic level, the LTC2450 will return to a normal power consumption level. During the SLEEP state, the result of the last conversion is held indefinitely in a static register.

Upon entering the DATA OUTPUT state, SDO outputs the most significant bit (D15) of the conversion result. During this state, the ADC shifts the conversion result serially through the SDO output pin under the control of the SCK input pin. There is no latency in generating this result and it corresponds to the last completed conversion. A new bit of data appears at the SDO pin following each falling edge detected at the SCK input pin. The user can reliably latch this data on every rising edge of the external serial clock signal driving the SCK pin (see Figure 3).

The DATA OUTPUT state concludes in one of two different ways. First, the DATA OUTPUT state operation is completed once all 16 data bits have been shifted out and the clock then goes low, which corresponds to the 16<sup>th</sup> falling edge of SCK. Second, the DATA OUTPUT state can be aborted at any time by a LOW-to-HIGH transition on the  $\overline{CS}$  input. Following either one of these two actions, the LTC2450 will enter the CONVERT state and initiate a new conversion cycle.

#### Power-Up Sequence

When the power supply voltage  $V_{CC}$  applied to the converter is below approximately 2.1V, the ADC performs a power-on reset. This feature guarantees the integrity of the conversion result.

When  $V_{CC}$  rises above this critical threshold, the converter generates an internal power-on reset (POR) signal for approximately 0.5ms. The POR signal clears all internal registers. Following the POR signal, the LTC2450 starts a conversion cycle and follows the succession of states described in Figure 2. The first conversion result following POR is accurate within the specifications of the device if the power supply voltage  $V_{CC}$  is restored within the operating range (2.7V to 5.5V) before the end of the POR time interval.

## APPLICATIONS INFORMATION

### Ease of Use

The LTC2450 data output has no latency, filter settling delay or redundant results associated with the conversion cycle. There is a one-to-one correspondence between the conversion and the output data. Therefore, multiplexing multiple analog input voltages requires no special actions.

The LTC2450 performs offset and full-scale calibrations every conversion. This calibration is transparent to the user and has no effect upon the cyclic operation described previously. The advantage of continuous calibration is extreme stability of the ADC performance with respect to time and temperature.

The LTC2450 includes a proprietary input sampling scheme that reduces the average input current several orders of magnitude as compared to traditional delta sigma architectures. This allows external filter networks to interface directly to the LTC2450. Since the average input sampling current is 50nA, an external RC lowpass filter using a 1k $\Omega$  and 0.1 $\mu$ F results in <1LSB error.

### Reference Voltage Range

The converter uses the power supply voltage ( $V_{CC}$ ) as the positive reference voltage (see Figure 1). Thus, the reference range is the same as the power supply range, which extends from 2.7V to 5.5V. The LTC2450's internal noise level is extremely low so the output peak-to-peak noise remains well below 1LSB for any reference voltage within

this range. Thus the converter resolution remains at 1LSB independent of the reference voltage. INL, offset, and full-scale errors vary with the reference voltage as indicated by the Typical Performance Characteristics graphs. These error terms will decrease with an increase in the reference voltage (as the LSB size in  $\mu$ V increases).

### Input Voltage Range

The ADC is capable of digitizing true rail-to-rail input signals. Ignoring offset and full-scale errors, the converter will theoretically output an “all zero” digital result when the input is at ground (a zero scale input) and an “all one” digital result when the input is at  $V_{CC}$  (a full-scale input).

The converter offset and gain error specifications ensure that all 65536 possible codes will be produced within this voltage range. In an under-range condition, for all input voltages less than the voltage corresponding to output code 0, the converter will generate the output code 0. In an over-range condition, for all input voltages greater than the voltage corresponding to output code 65535 the converter will generate the output code 65535.

### Output Data Format

The LTC2450 generates a 16-bit direct binary encoded result. It is provided, MSB first, as a 16-bit serial stream through the SDO output pin under the control of the SCK input pin (see Figure 3).

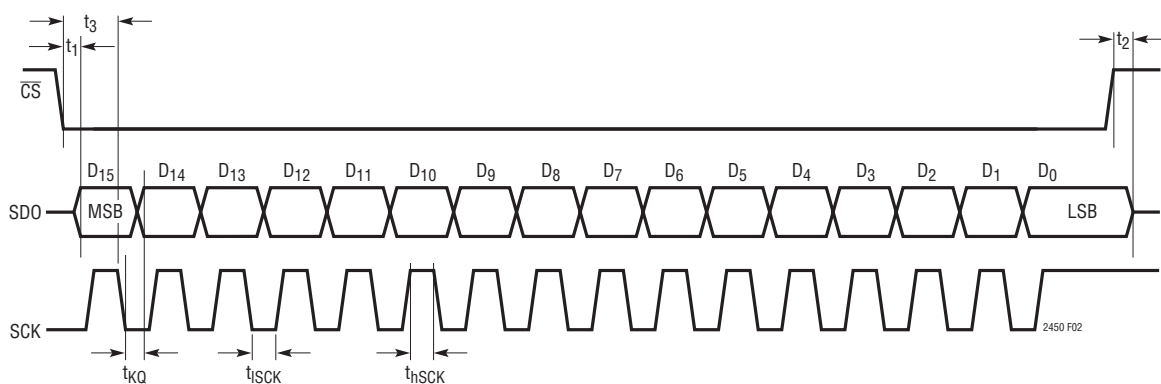


Figure 3. Data Output Timing



## APPLICATIONS INFORMATION

During the data output operation the  $\overline{CS}$  input pin must be pulled low ( $\overline{CS} = \text{LOW}$ ). The data output process starts with the most significant bit of the result being present at the SDO output pin (SDO = D15) once  $\overline{CS}$  goes low. A new data bit appears at the SDO output pin following every falling edge detected at the SCK input pin. The output data can be latched by the user using the rising edge of SCK.

### Conversion Status Monitor

For certain applications, the user may wish to monitor the LTC2450 conversion status. This can be achieved by holding SCK HIGH during the conversion cycle. In this condition, whenever the  $\overline{CS}$  input pin is pulled low ( $\overline{CS} = \text{LOW}$ ), the SDO output pin will provide an indication of the conversion status. SDO = HIGH is an indication of a conversion cycle in progress while SDO = LOW is an indication of a completed conversion cycle. An example of such a sequence is shown in Figure 4.

Conversion status monitoring, while possible, is not required for LTC2450 as its conversion time is fixed and equal at approximately 33.3ms (42ms maximum). Therefore, external timing can be used to determine the completion of a conversion cycle.

### SERIAL INTERFACE

The LTC2450 transmits the conversion result and receives the start of conversion command through a synchronous 3-wire interface. This interface can be used during the

CONVERT and SLEEP states to assess the conversion status and during the DATA OUTPUT state to read the conversion result, and to trigger a new conversion.

### Serial Interface Operation Modes

The following are a few of the more common interface operation examples. Many more valid control and serial data output operation sequences can be constructed based upon the above description of the function of the three digital interface pins.

The modes of operation can be summarized as follows:

- 1) The LTC2450 functions with SCK idle high (commonly known as CPOL = 1) or idle low (commonly known as CPOL = 0).
- 2) After the 16th bit is read, the user can choose one of two ways to begin a new conversion. First, one can pull  $\overline{CS}$  high ( $\overline{CS} = \uparrow$ ). Second, one can use a high-low transition on SCK (SCK =  $\downarrow$ ).
- 3) In a similar vein, at any time during the Data Output state, pulling  $\overline{CS}$  high ( $\overline{CS} = \uparrow$ ) causes the part to leave the I/O state, abort the output and begin a new conversion.
- 4) When SCK = HIGH, it is possible to monitor the conversion status by pulling  $\overline{CS}$  low and watching for SDO to go low. This feature is available only in the idle-high (CPOL = 1) mode.

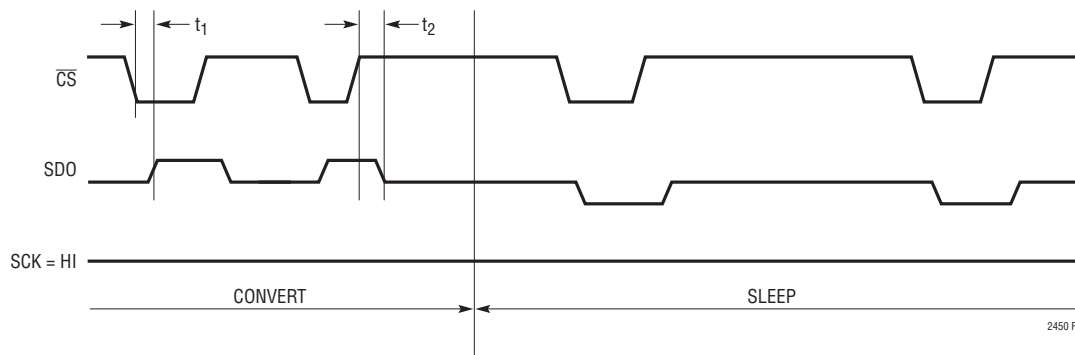


Figure 4. Conversion Status Monitoring Mode

## APPLICATIONS INFORMATION

### Serial Clock Idle-High (CPOL = 1) Examples

In Figure 5, following a conversion cycle the LTC2450 automatically enters the low power sleep mode. The user can monitor the conversion status at convenient intervals using  $\overline{CS}$  and SDO.

$\overline{CS}$  is pulled low to test whether or not the chip is in the CONVERT state. While in the CONVERT state, SDO is HIGH while  $\overline{CS}$  is LOW. In the SLEEP state, SDO is LOW while  $\overline{CS}$  is LOW. These tests are not required operational steps but may be useful for some applications.

When the data is available, the user applies 16 clock cycles to transfer the result. The  $\overline{CS}$  rising edge is then used to initiate a new conversion.

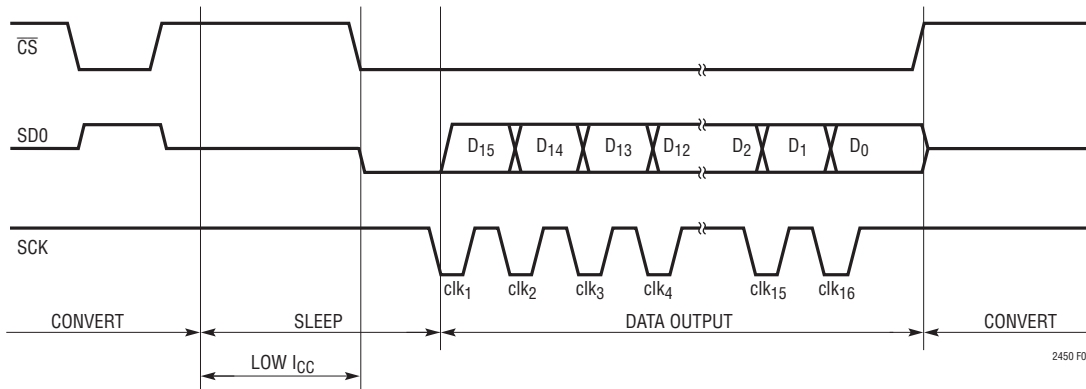
The operation example of Figure 6 is identical to that of Figure 5, except the new conversion cycle is triggered by

the falling edge of the serial clock (SCK). A 17th clock pulse is used to trigger a new conversion cycle.

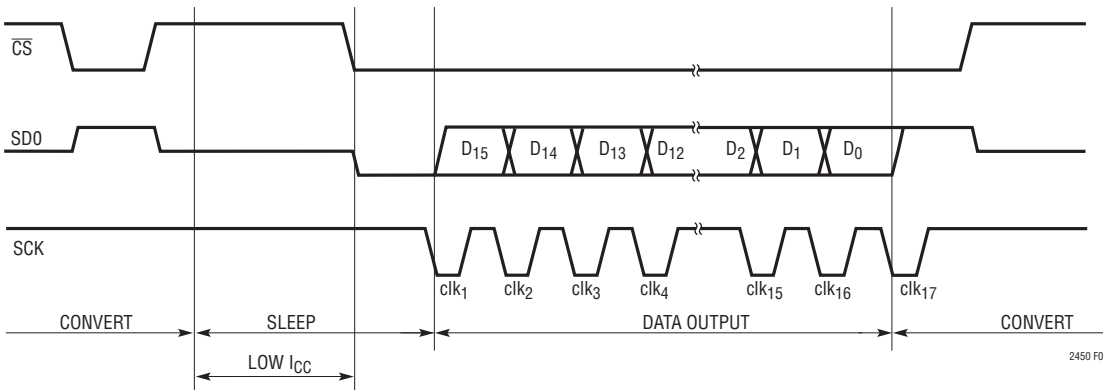
### Serial Clock Idle-Low (CPOL = 0) Examples

In Figure 7, following a conversion cycle the LTC2450 automatically enters the low power sleep state. The user determines data availability (and the end of conversion) based upon external timing. The user then pulls  $\overline{CS}$  low ( $\overline{CS} = \downarrow$ ) and uses 16 clock cycles to transfer the result. Following the 16th rising edge of the clock,  $\overline{CS}$  is pulled high ( $\overline{CS} = \uparrow$ ), which triggers a new conversion.

The timing diagram in Figure 8 is identical to that of Figure 7, except in this case a new conversion is triggered by SCK. The 16th SCK falling edge triggers a new conversion cycle and the  $\overline{CS}$  signal is subsequently pulled high.



**Figure 5. Idle-High (CPOL = 1) Serial Clock Operation Example. The Rising Edge of  $\overline{CS}$  Starts a New Conversion**



**Figure 6. Idle-High (CPOL = 1) Clock Operation Example. A 17th Clock Pulse is Used to Trigger a New Conversion Cycle**

## APPLICATIONS INFORMATION

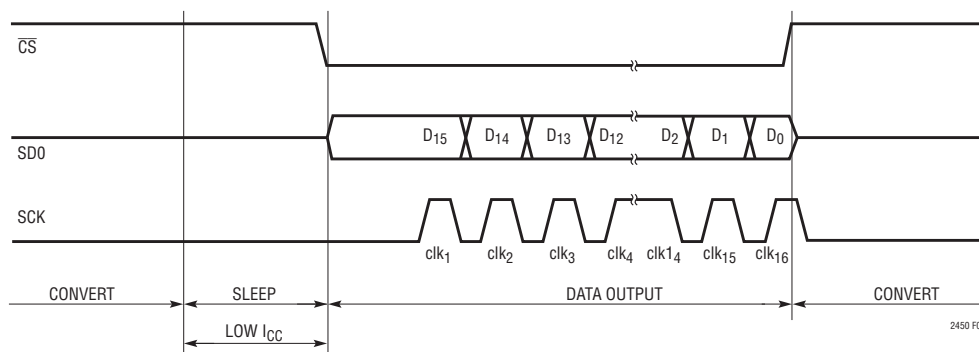
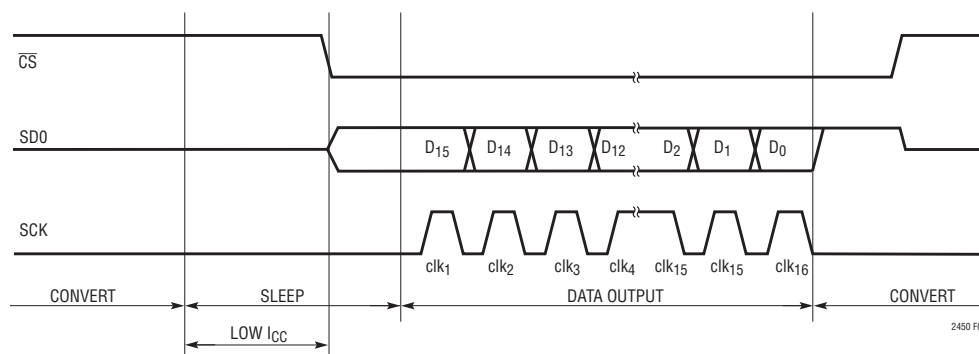
Figure 7. Idle-Low (CPOL = 0) Clock.  $\overline{\text{CS}}$  Triggers a New Conversion

Figure 8. Idle-Low (CPOL = 0) Clock. The 16th SCK Falling Edge Triggers a New Conversion

Examples of Aborting Cycle using  $\overline{\text{CS}}$ 

For some applications the user may wish to abort the I/O cycle and begin a new conversion. If the LTC2450 is in the data output state, a  $\overline{\text{CS}}$  rising edge clears the remaining data bits from memory, aborts the output cycle and triggers a new conversion. Figure 9 shows an example of aborting an I/O with idle-high (CPOL = 1) and Figure 10 shows an example of aborting an I/O with idle-low (CPOL = 0).

A new conversion cycle can be triggered using the  $\overline{\text{CS}}$  signal without having to generate any serial clock pulses as shown in Figure 11. If SCK is maintained at a LOW logic level, after the end of a conversion cycle, a new

conversion operation can be triggered by pulling  $\overline{\text{CS}}$  low and then high. When  $\overline{\text{CS}}$  is pulled low ( $\overline{\text{CS}} = \text{LOW}$ ), SDO will output the most significant bit (D15) of the result of the just completed conversion. While a low logic level is maintained at SCK pin and  $\overline{\text{CS}}$  is subsequently pulled high ( $\overline{\text{CS}} = \text{HIGH}$ ) the remaining 15 bits of the result (D14:D0) are discarded and a new conversion cycle starts.

Following the aborted I/O, additional clock pulses in the CONVERT state are acceptable, but excessive signal transitions on SCK can potentially create noise on the ADC during the conversion, and thus may negatively influence the conversion accuracy.

APPLICATIONS INFORMATION

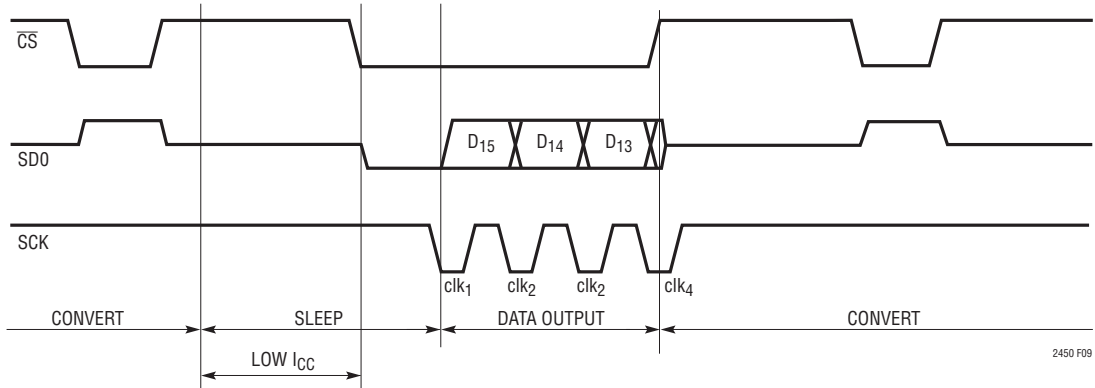


Figure 9. Idle-High (CPOL = 1) Clock and Aborted I/O Example

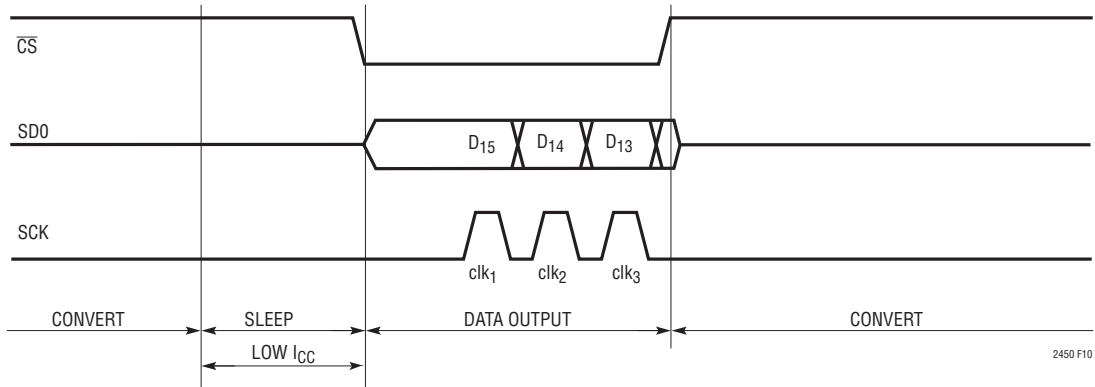


Figure 10. Idle-Low (CPOL = 0) Clock and Aborted I/O Example

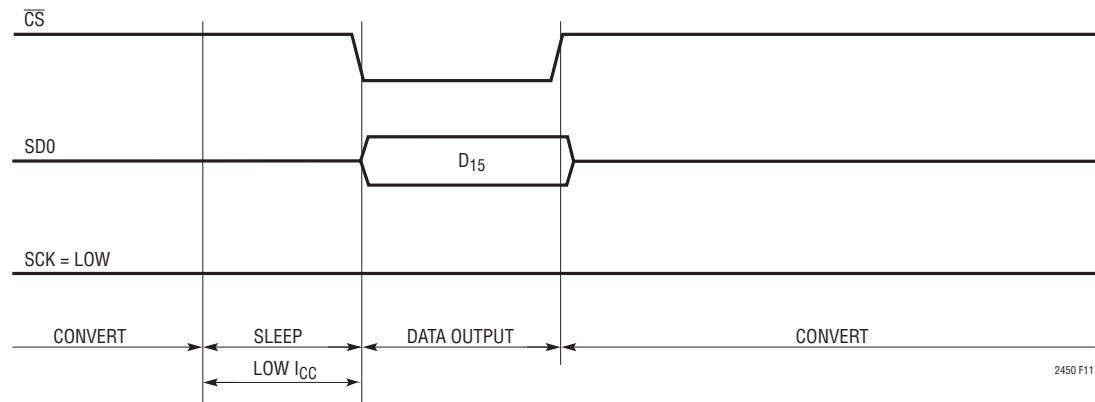


Figure 11. Idle-Low (CPOL = 0) Clock and Minimum Data Output Length Example

## APPLICATIONS INFORMATION

### 2-Wire Operation

The 2-wire operation modes, while reducing the number of required control signals, should be used only if the LTC2450 low power sleep capability is not required. In addition the option to abort serial data transfers is no longer available. Hardwire  $\overline{CS}$  to GND for 2-wire operation.

Figure 12 shows a 2-wire operation sequence which uses an idle-high (CPOL = 1) serial clock signal. The conversion status can be monitored at the SDO output. Following a conversion cycle, the ADC enters SLEEP state and the SDO output transitions from HIGH to LOW. Subsequently 16 clock pulses are applied to the SCK input in order to serially shift the 16 bit result. Finally, the 17th clock pulse is applied to the SCK input in order to trigger a new conversion cycle.

Figure 13 shows a 2-wire operation sequence which uses an idle-low (CPOL = 0) serial clock signal. The conversion status cannot be monitored at the SDO output. Following a conversion cycle, the LTC2450 bypasses the SLEEP state and immediately enters the DATA OUTPUT state. At this moment the SDO pin outputs the most significant bit (D15) of the conversion result. The user must use external timing in order to determine the end of conversion and result availability. Subsequently 16 clock pulses are applied to SCK in order to serially shift the 16-bit result. The 16th clock falling edge triggers a new conversion cycle.

### PRESERVING THE CONVERTER ACCURACY

The LTC2450 is designed to reduce as much as possible the conversion result sensitivity to device decoupling, PCB layout, antialiasing circuits, line and frequency perturbations. Nevertheless, in order to preserve the very high accuracy capability of this part, some simple precautions are desirable.

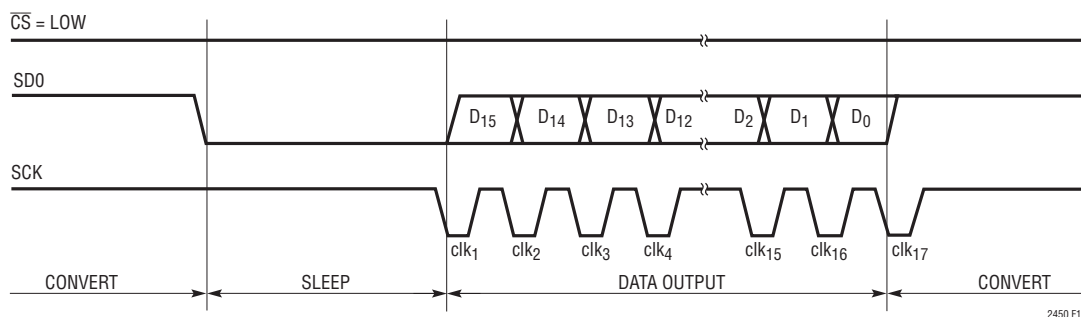


Figure 12. 2-Wire, Idle-High (CPOL = 1) Serial Clock, Operation Example

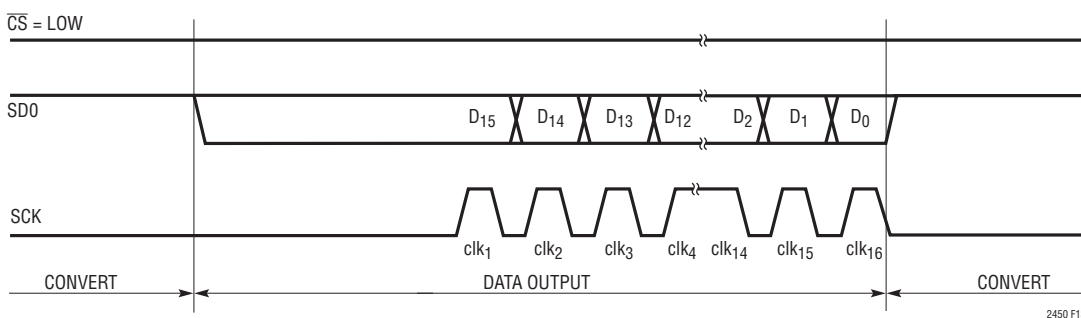


Figure 13. 2-Wire, Idle-Low (CPOL = 0) Serial Clock Operation Example

## APPLICATIONS INFORMATION

### Digital Signal Levels

The LTC2450's digital interface is easy to use. Its digital inputs (SCK and  $\overline{\text{CS}}$ ) accept standard CMOS logic levels and the internal hysteresis receivers can tolerate edge rates as slow as 100 $\mu\text{s}$ . However, some considerations are required to take advantage of the exceptional accuracy and low supply current of this converter.

The digital output signal SDO is less of a concern because it is not active during the conversion cycle.

While a digital input signal is in the range 0.5V to  $V_{\text{CC}}$  –0.5V, the CMOS input receiver may draw additional current from the power supply. Due to the nature of CMOS logic, a slow transition within this voltage range may cause an increase in the power supply current drawn by the converter, particularly in the low power operation mode within the SLEEP state. Thus, for low power consumption it is highly desirable to provide relatively fast edges for the two digital input pins SCK and  $\overline{\text{CS}}$ , and to keep the digital input logic levels at  $V_{\text{CC}}$  or GND.

At the same time, during the CONVERT state, undershoot and/or overshoot of fast digital signals connected to the LTC2450 pins may alter the conversion result. Undershoot and overshoot can occur because of an impedance mismatch at the converter pin combined with very fast transition times. This problem becomes particularly difficult when shared control lines are used and multiple reflections may occur. The solution is to carefully terminate all transmission lines close to their characteristic impedance. Parallel termination is seldom an acceptable option in low power systems so a series resistor between 27 $\Omega$  and 56 $\Omega$  placed near the driver may eliminate this problem. The actual resistor value depends upon the trace impedance and connection topology. An alternate solution is to reduce the edge rate of the control signals, keeping in mind the concerns regarding slow edges mentioned above.

Particular attention should be given to configurations in which a continuous clock signal is applied to SCK pin during the CONVERT state. While LTC2450 will ignore this signal from a logic point of view the signal edges may create unexpected errors depending upon the relation between its frequency and the internal oscillator frequency. In such a situation it is beneficial to use edge rates of about 10ns

and to limit potential undershoot to less than 0.3V below GND and overshoot to less than 0.3V above  $V_{\text{CC}}$ .

Noisy external circuitry can potentially impact the output under 2-wire operation. In particular, it is possible to get the LTC2450 into an unknown state if an SCK pulse is missed or noise triggers an extra SCK pulse. In this situation, it is impossible to distinguish SDO = 1 (indicating conversion in progress) from valid "1" data bits. As such, CPOL = 1 is recommended for the 2-wire mode. The user should look for SDO = 0 before reading data, and look for SDO = 1 after reading data. If SDO does not return a "0" within the maximum conversion time (or return a "1" after a full data read), generate 16 SCK pulses to force a new conversion.

### Driving $V_{\text{CC}}$ and GND

The  $V_{\text{CC}}$  and GND pins of the LTC2450 converter are directly connected to the positive and negative reference voltages, respectively. A simplified equivalent circuit is shown in Figure 14.

The power supply current passing through the parasitic layout resistance associated with these common pins will modify the ADC reference voltage and thus negatively affect the converter accuracy. It is thus important to keep the  $V_{\text{CC}}$  and GND lines quiet, and to connect these supplies through very low impedance traces.

In relation to the  $V_{\text{CC}}$  and GND pins, the LTC2450 combines internal high frequency decoupling with damping

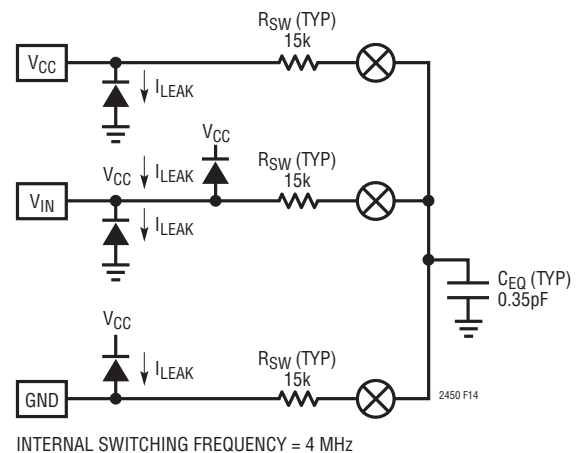


Figure 14. LTC2450 Analog Pins Equivalent Circuit

## APPLICATIONS INFORMATION

elements which reduce the ADC performance sensitivity to PCB layout and external components. Nevertheless, the very high accuracy of this converter is best preserved by careful low and high frequency power supply decoupling.

A 0.1 $\mu$ F, high quality, ceramic capacitor in parallel with a 10 $\mu$ F ceramic capacitor should be connected between the  $V_{CC}$  and GND pins, as close as possible to the package. The 0.1 $\mu$ F capacitor should be placed closest to the ADC package. It is also desirable to avoid any via in the circuit path starting from the converter  $V_{CC}$  pin, passing through these two decoupling capacitors and returning to the converter GND pin. The area encompassed by this circuit path, as well as the path length, should be minimized.

Very low impedance ground and power planes and star connections at both  $V_{CC}$  and GND pins are preferable. The  $V_{CC}$  pin should have two distinct connections: the first to the decoupling capacitors described above and the second to the power supply voltage. The GND pin should have three distinct connections: the first to the decoupling capacitors described above, the second to the ground return for the input signal source and the third to the ground return for the power supply voltage source.

### Driving $V_{IN}$

The  $V_{IN}$  input drive requirements can be best analyzed using the equivalent circuit of Figure 15. The input signal  $V_{SIG}$  is connected to the ADC input pin  $V_{IN}$  through an equivalent source resistance  $R_S$ . This resistor includes both the actual generator source resistance and any additional optional resistor connected to the  $V_{IN}$  pin. An optional input capacitor  $C_{IN}$  is also connected to the ADC  $V_{IN}$  pin. This capacitor is placed in parallel with the ADC input parasitic capacitance  $C_{PAR}$ . Depending upon the PCB

layout  $C_{PAR}$  has typical values between 2pF and 15pF. In addition, the equivalent circuit of Figure 15 includes the converter equivalent internal resistor  $R_{SW}$  and sampling capacitor  $C_{EQ}$ .

There are some immediate trade-offs in  $R_S$  and  $C_{IN}$  without needing a full circuit analysis. Increasing  $R_S$  and  $C_{IN}$  can give the following benefits:

- 1) Due to the LTC2450's input sampling algorithm, the input current drawn by  $V_{IN}$  over a conversion cycle is 50nA. A high  $R_S \cdot C_{IN}$  attenuates the high frequency components of the input current, and  $R_S$  values up to 1k $\Omega$  result in <1LSB error.
- 2) The bandwidth from  $V_{SIG}$  is reduced at  $V_{IN}$ . This bandwidth reduction isolates the ADC from high frequency signals, and as such provides simple antialiasing and input noise reduction.
- 3) Noise generated by the ADC is attenuated before it goes back to the signal source.
- 4) A large  $C_{IN}$  gives a better AC ground at  $V_{IN}$ , helping reduce reflections back to the signal source.
- 5) Increasing  $R_S$  protects the ADC by limiting the current during an outside-the-rails fault condition.  $R_S$  can be easily sized such as to protect against even extreme fault conditions.

There is a limit to how large  $R_S \cdot C_{IN}$  should be for a given application. Increasing  $R_S$  beyond a given point increases the voltage drop across  $R_S$  due to the input current, to the point that significant measurement errors exist. Additionally, for some applications, increasing the  $R_S \cdot C_{IN}$  product too much may unacceptably attenuate the signal at frequencies of interest.

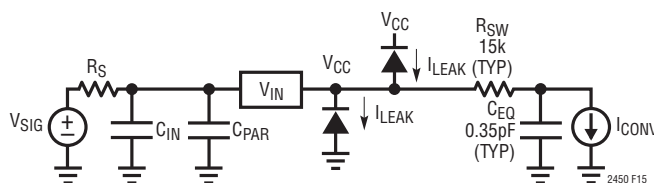


Figure 15. LTC2450 Input Drive Equivalent Circuit

## APPLICATIONS INFORMATION

For most applications, it is desirable to implement  $C_{IN}$  as a high quality  $0.1\mu\text{F}$  ceramic capacitor and  $R_S \leq 1\text{k}$ . This capacitor should be located as close as possible to the actual  $V_{IN}$  package pin. Furthermore the area encompassed by this circuit path as well as the path length should be minimized.

In the case of a 2-wire sensor which is not remotely grounded, it is desirable to split  $R_S$  and place series resistors in the ADC input line as well as in the sensor ground return line which should be tied to the ADC GND pin using a star connection topology.

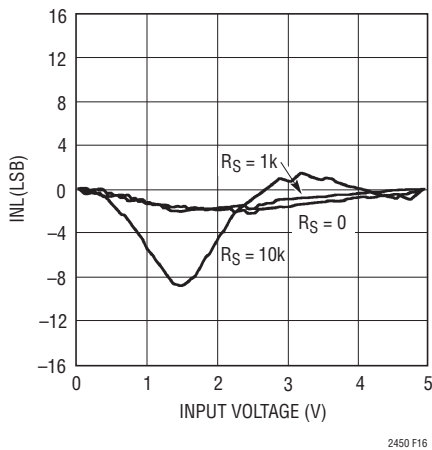
Figure 16 shows the measured LTC2450 INL vs Input Voltage as a function of  $R_S$  value with an input capacitor  $C_{IN} = 0.1\mu\text{F}$ .

In some cases,  $R_S$  can be increased above these guidelines. In the case of the LTC2450, in the first half of the CONVERT state, the internal calibration algorithm maintains  $I_{AV}$  strictly at zero. Each half of the CONVERT state is about 16.67ms. Additionally, the input current is zero while the

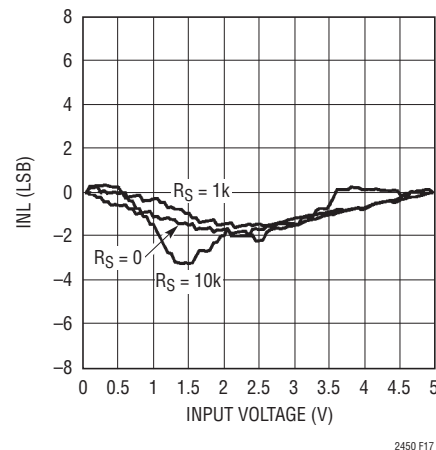
ADC is either in sleep or I/O modes. Thus, if the time constant of the input R-C circuit  $\tau = R_S \cdot C_{IN}$  is of the same order magnitude or longer than the time periods between actual conversions, then one can consider the input current to be reduced correspondingly.

These considerations need to be balanced out by the input signal bandwidth. The 3dB bandwidth  $\approx 1/(2\pi R_S C_{IN})$ .

Finally, if the recommended choice for  $C_{IN}$  is unacceptable for the user's specific application, an alternate strategy is to eliminate  $C_{IN}$  and minimize  $C_{PAR}$  and  $R_S$ . In practical terms, this configuration corresponds to a low impedance sensor directly connected to the ADC through minimum length traces. Actual applications include current measurements through low value sense resistors, temperature measurements, low impedance voltage source monitoring and so on. The resultant INL vs  $V_{IN}$  is shown in Figure 17. The measurements of Figure 17 include a  $C_{PAR}$  capacitor corresponding to a minimum size layout pad and a minimum width input trace of about 1 inch length.



**Figure 16. Measured INL vs Input Voltage,  $C_{IN} = 0.1\mu\text{F}$ ,  $V_{CC} = 5\text{V}$ ,  $T_A = 25^\circ\text{C}$**



**Figure 17. Measured INL vs  $V_{IN}$ ,  $C_{IN} = 0$ ,  $V_{CC} = 5\text{V}$ ,  $T_A = 25^\circ\text{C}$**



## APPLICATIONS INFORMATION

### Signal Bandwidth and Noise Equivalent Input Bandwidth

The LTC2450 includes a sinc<sup>1</sup> type digital filter with the first notch located at  $f_0 = 60\text{Hz}$ . As such the 3dB input signal bandwidth is 26.54Hz. The calculated LTC2450 input signal attenuation with frequency at low frequencies is shown in Figure 18.

The LTC2450 input signal attenuation with frequency over a wide frequency range is shown in Figure 19.

The converter noise level is about  $1.4\mu\text{V}_{\text{RMS}}$  and can be modeled by a white noise source connected at the input of a noise free converter.

For a simple system noise analysis the  $V_{\text{IN}}$  drive circuit can be modeled as a single pole equivalent circuit characterized by a pole location  $F_i$  and a noise spectral density  $n_i$ . If the converter has an unlimited bandwidth or at least a bandwidth substantially larger than  $F_i$ , then the total

noise contribution of the external drive circuit would be  $V_n = n_i \cdot \sqrt{\pi/2 \cdot F_i}$ . Then, the total system noise level can be estimated as the square root of the sum of  $(V_n^2)$  and the square of the LTC2450 noise floor ( $\approx 2\mu\text{V}^2$ ).

### Aliasing

The LTC2450 signal acquisition circuit is a sampled data system and as such suffers from input signal aliasing. As can be seen from Figure 19, due to the very high over-sample ratios the high frequency input signal attenuation is reasonably good. Nevertheless a continuous time antialiasing filter connected at the input will preserve the converter accuracy when the input signal includes undesirable high frequency components. The antialiasing function can be accomplished using the  $R_S$  and  $C_{\text{IN}}$  components shown in Figure 15 sized such that  $\tau = R_S \cdot C_{\text{IN}} > 450\text{ns}$ .

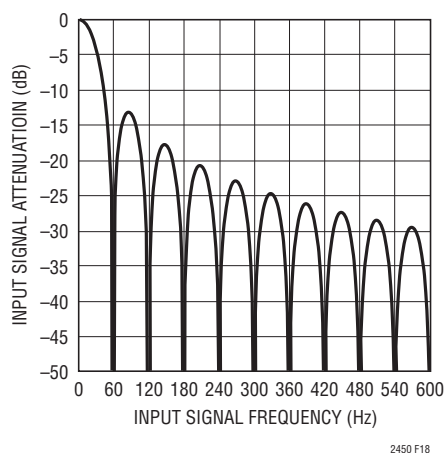


Figure 18. Input Signal Attenuation vs Frequency (Low Frequencies)

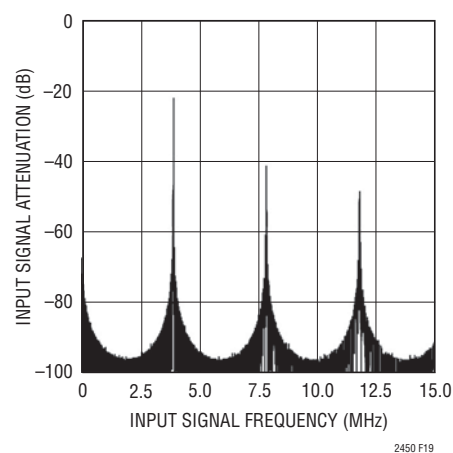
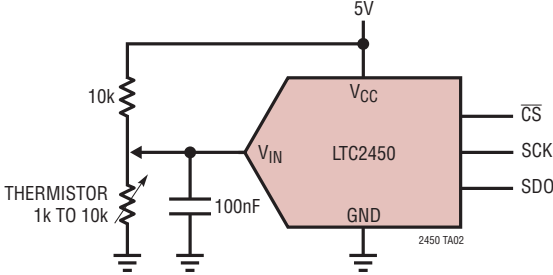


Figure 19. Input Signal Attenuation vs Frequency

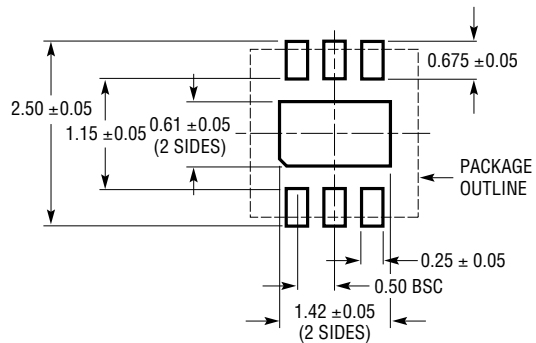
TYPICAL APPLICATION

Thermistor Measurement

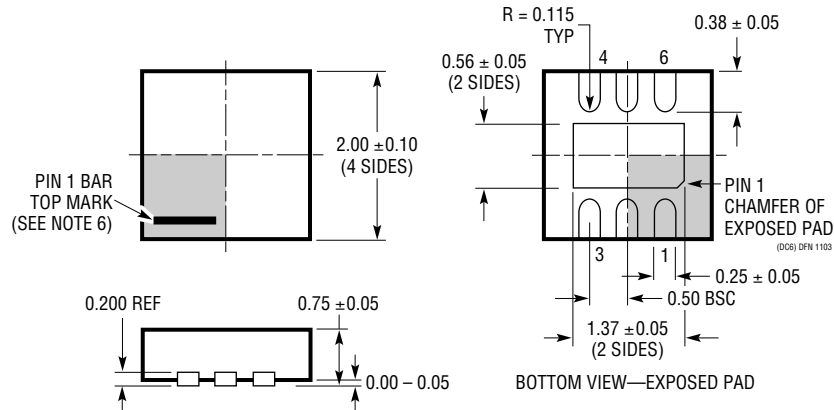


# PACKAGE DESCRIPTION

DC Package  
**6-Lead Plastic DFN (2mm × 2mm)**  
 (Reference LTC DWG # 05-08-1703)



RECOMMENDED SOLDER PAD PITCH AND DIMENSIONS

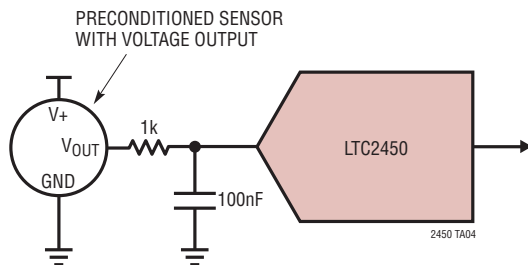


**NOTE:**

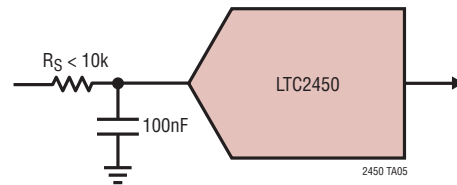
1. DRAWING TO BE MADE A JEDEC PACKAGE OUTLINE M0-229 VARIATION OF (WCCD-2)
2. DRAWING NOT TO SCALE
3. ALL DIMENSIONS ARE IN MILLIMETERS
4. DIMENSIONS OF EXPOSED PAD ON BOTTOM OF PACKAGE DO NOT INCLUDE MOLD FLASH. MOLD FLASH, IF PRESENT, SHALL NOT EXCEED 0.15mm ON ANY SIDE
5. EXPOSED PAD SHALL BE SOLDER PLATED
6. SHADED AREA IS ONLY A REFERENCE FOR PIN 1 LOCATION ON THE TOP AND BOTTOM OF PACKAGE

## TYPICAL APPLICATIONS

Easy Active Input



Easy Passive Input



## RELATED PARTS

PART NUMBER	DESCRIPTION	COMMENTS
LT®1236A-5	Precision Bandgap Reference, 5V	0.05% Maximum, 5ppm/°C Drift
LT1461	Micropower Series Reference, 2.5V	0.04% Maximum, 3ppm/°C Drift
LTC1860/LTC1861	12-Bit, 5V, 1-/2-Channel 250ksps SAR ADC in MSOP	850μA at 250ksps, 2μA at 1ksps, SO-8 and MSOP Packages
LTC1860L/LTC1861L	12-Bit, 3V, 1-/2-Channel 150ksps SAR ADC	450μA at 150ksps, 10μA at 1ksps, SO-8 and MSOP Packages
LTC1864/LTC1865	16-Bit, 5V, 1-/2-Channel 250ksps SAR ADC in MSOP	850μA at 250ksps, 2μA at 1ksps, SO-8 and MSOP Packages
LTC1864L/LTC1865L	16-bit, 3V, 1-/2-Channel 150ksps SAR ADC	450μA at 150ksps, 10μA at 1ksps, SO-8 and MSOP Packages
LTC2440	24-Bit No Latency ΔΣ™ ADC	200nV <sub>RMS</sub> Noise, 8kHz Output Rate, 15ppm INL
LTC2480	16-Bit, Differential Input, No Latency ΔΣ ADC, with PGA, Temperature Sensor, SPI	Easy Drive Input Current Cancellation, 600nV <sub>RMS</sub> Noise, Tiny 10-Lead DFN Package
LTC2481	16-Bit, Differential Input, No Latency ΔΣ ADC, with PGA, Temperature Sensor, I <sup>2</sup> C	Easy Drive Input Current Cancellation, 600nV <sub>RMS</sub> Noise, Tiny 10-Lead DFN Package
LTC2482	16-Bit, Differential Input, No Latency ΔΣ ADC, SPI	Easy Drive Input Current Cancellation, 600nV <sub>RMS</sub> Noise, Tiny 10-Lead DFN Package
LTC2483	16-Bit, Differential Input, No Latency ΔΣ ADC, I <sup>2</sup> C	Easy Drive Input Current Cancellation, 600nV <sub>RMS</sub> Noise, Tiny 10-Lead DFN Package
LTC2484	24-Bit, Differential Input, No Latency ΔΣ ADC, SPI	Easy Drive Input Current Cancellation, 600nV <sub>RMS</sub> Noise, Tiny 10-Lead DFN Package
LTC2485	24-Bit, Differential Input, No Latency ΔΣ ADC, I <sup>2</sup> C	Easy Drive Input Current Cancellation, 600nV <sub>RMS</sub> Noise, Tiny 10-Lead DFN Package
LTC6241	Dual, 18MHz, Low Noise, Rail-to-Rail Op Amp	550nV <sub>p-p</sub> Noise, 125μV Offset Maximum
LT6660	Micropower References in 2mm × 2mm DFN Package, 2.5V, 3V, 3.3V, 5V	20ppm/°C Maximum Drift, 0.2% Maximum

No Latency ΔΣ is a trademark of Linear Technology Corporation.

# Mouser Electronics

Authorized Distributor

Click to View Pricing, Inventory, Delivery & Lifecycle Information:

[Analog Devices Inc.:](#)

[LTC2450CDC#TRMPBF](#) [LTC2450CDC#TRPBF](#) [LTC2450IDC#TRPBF](#) [LTC2450IDC-1#PBF](#) [LTC2450IDC#PBF](#)  
[LTC2450CDC#PBF](#) [LTC2450IDC#TRMPBF](#)