

RCA PHONO JACKS: KLP42X Series
Stacked RCA Phono Jack PCB Mount

Product Features

Audio Applications for Computers and Multimedia
Gold Plating Available Upon Request
Various Color and Stacking Options Available
CSA/NRTL Certified File No. LR78160

Performance Specifications

Materials and Finish

Housing

PBT Thermoplastic, UL94V-0 Rated

Terminals

Brass, Tin Plated

Ground Pin

Brass, Nickel Plated

Electrical Characteristics

Rated Current: 0.3A

Rated Voltage: 16V DC

Contact Resistance

50 milliohms Max.

Insulation Resistance

100 Megohms Min. at 500V DC

Dielectric Withstanding Voltage

500V AC RMS for 1 Minute

Mechanical Characteristics

Insertion Force

0.3kg - 5.0kg

Extraction Force

0.3kg - 5.0kg

Durability

1000 Mating Cycles Min.

Operating Temperature

-20°C to +60°C

2D Drawing	IGES	STEP	3D PDF
Solder Profile	CofC RoHS Compliant	CofC REACH Compliant	UL Plastic File
Certificate of Origin	Check Stock	Request a Sample	Send Us An Email

Generated Part Number

Part Number Builder

-
 Series Type Color Option

Series

KLP42X - Stacked RCA Phono Jack

Type

61 - Double Column, Double Row

Color Option

- BB/BB - Black, Black / Black, Black
- RR/WW - Red, Red / White, White
- RW/RW - Red, White / Red, White
- WB/RV - White, Black / Red, Yellow
- WR/BB - White, Red / Black, Black
- WR/WR - White, Red / White, Red
- WW/RR - White, White / Red, Red
- WW/WW - White, White / White, White
- YW/YW - Yellow, White / Yellow, White
- YY/WW - Yellow, Yellow / White, White
- YY/YY - Yellow, Yellow / Yellow, Yellow

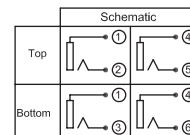
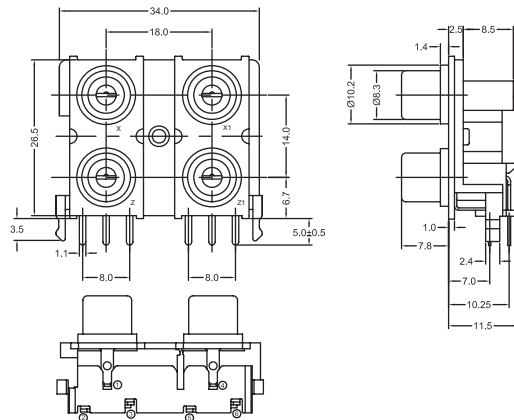
Color layout

X, X1 / Z, Z1

Contact Kycon for other options

KLP42X-61-xx/xx

Dimensions in mm



Mouser Electronics

Authorized Distributor

Click to View Pricing, Inventory, Delivery & Lifecycle Information:

[Kycon:](#)

[KLP42X-61-BB/BB](#) [KLP42X-61-WW/RR](#) [KLP42X-61-RW/RW](#) [KLP42X-61-YY/YY](#) [KLP42X-61-YY/WW](#) [KLP42X-61-WR/BB](#) [KLP42X-61-YW/YW](#) [KLP42X-61-WW/WW](#) [KLP42X-61S-WR/BB](#) [KLP42X-61-RR/WW](#) [KLP42X-61-WR/WR](#) [KLP42X-61-WB/RV](#)