

175062-1 ✓ ACTIVE

AMP | Multilock Connector System

TE Internal #: 175062-1

Multilock Connector System, Automotive Terminals, Receptacle,
Tab Width 1 mm [.039 in], Tab Thickness .64 mm, Terminal
Transmits 0 – 24 A (Low Power)

[View on TE.com >](#)



Terminals & Splices > Automotive Terminals > MULTILOCK, RECEPTACLE AND TAB



Terminal & Splice Type: **Receptacle**

Mating Tab Width: **1 mm [.039 in]**

Mating Tab Thickness: **.64 mm**

Terminal Transmits: **0 – 24 A (Low Power)**

Wire Size: **.3 – .5 mm²**

[All MULTILOCK, RECEPTACLE AND TAB \(144\)](#)

Features

Product Type Features

Receptacle Style	180°
Sealable	No
Primary Locking Feature	Clean Body

Contact Features

Typical Current Rating	5 A
Crimp Type	F-Crimp
Terminal & Splice Type	Receptacle
Mating Tab Width	1 mm [.039 in]
Mating Tab Thickness	.64 mm
Automotive Terminal Interface Plating	Tin (Sn)
Contact Termination Area Plating Material	Tin (Sn)

Termination Features

Automotive Terminal Termination Method	Crimp
--	-------

Dimensions

Wire Size	.3 – .5 mm ²
Wire Size Search	20 AWG, 21 AWG
Wire Insulation Diameter	1.4 – 2 mm [.055 – .079 in]



Usage Conditions

Operating Temperature (Max)	80 °C, 85 °C, 90 °C, 100 °C, 105 °C [176 °F] [185 °F][194 °F][212 °F][221 °F]
Operating Temperature Range	-30 – 105 °C [-22 – 221 °F]

Packaging Features

Packaging Method	Bag
Packaging Quantity	1000

Other

Terminal Transmits	0 – 24 A (Low Power)
--------------------	----------------------

Product Compliance

For compliance documentation, visit the product page on [TE.com](https://www.te.com)>

EU RoHS Directive 2011/65/EU	Compliant
EU ELV Directive 2000/53/EC	Compliant
China RoHS 2 Directive MIIT Order No 32, 2016	No Restricted Materials Above Threshold
EU REACH Regulation (EC) No. 1907/2006	Current ECHA Candidate List: JUN 2020 (209) Candidate List Declared Against: JUN 2020 (209) Does not contain REACH SVHC
Halogen Content	Low Halogen - Br, Cl, F, I < 900 ppm per homogenous material. Also BFR/CFR/PVC Free
Solder Process Capability	Not applicable for solder process capability

Product Compliance Disclaimer

This information is provided based on reasonable inquiry of our suppliers and represents our current actual knowledge based on the information they provided. This information is subject to change. The part numbers that TE has identified as EU RoHS compliant have a maximum concentration of 0.1% by weight in homogenous materials for lead, hexavalent chromium, mercury, PBB, PBDE, DBP, BBP, DEHP, DIBP, and 0.01% for cadmium, or qualify for an exemption to these limits as defined in the Annexes of Directive 2011/65/EU (RoHS2). Finished electrical and electronic equipment products will be CE marked as required by Directive 2011/65/EU. Components may not be CE marked. Additionally, the part numbers that TE has identified as EU ELV compliant have a maximum concentration of 0.1% by weight in homogenous materials for lead, hexavalent chromium, and mercury, and 0.01% for cadmium, or qualify for an exemption to these limits as defined in the Annexes of Directive 2000/53/EC (ELV). Regarding the REACH Regulation, the information TE provides on SVHC in articles for this part number is based on the latest European Chemicals Agency (ECHA) 'Guidance on requirements for substances in articles' posted at this URL: <https://echa.europa.eu/guidance-documents/guidance-on-reach>

Compatible Parts



TE Part # 58522-1
PRO-CRMPR II TOOL & DIE



TE Part # 755430-1
EXT TOOL FOR DOUBLE LOOK



TE Part # CAT-M9194-CH8172
MULTILOCK, CONNECTOR HOUSING



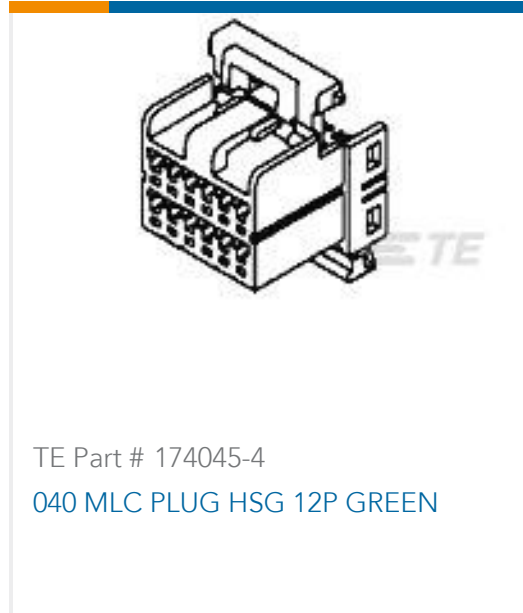
TE Part # 58522-2
PRO-CRMPR II DIE



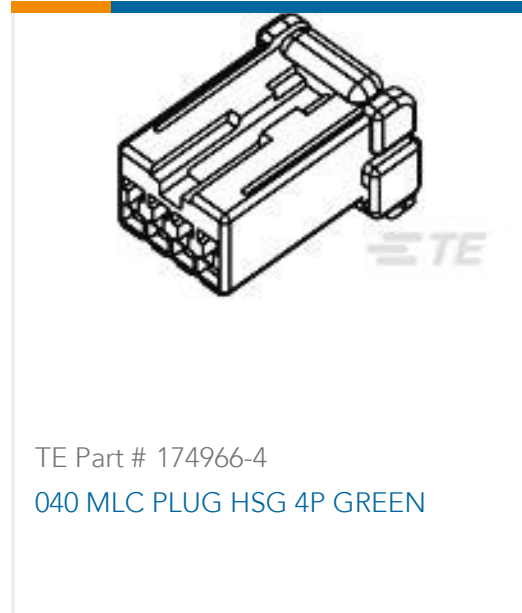
TE Part # 91577-1
CERTICRIMP 2 22-20 .040 SERIES



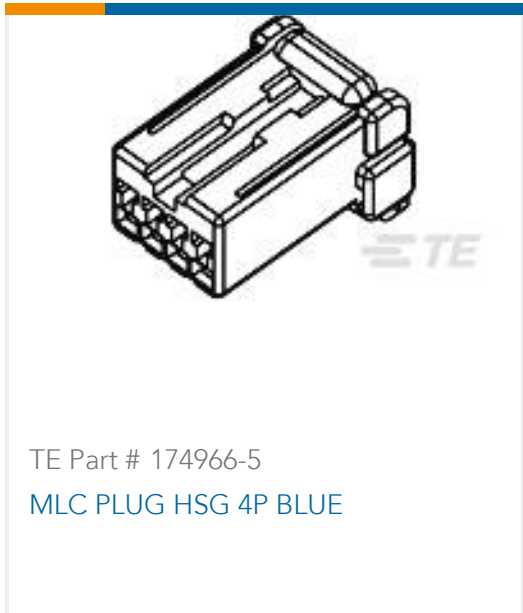
TE Part # 91577-3
CC II HEAD ASSY 22-20 .040 SER



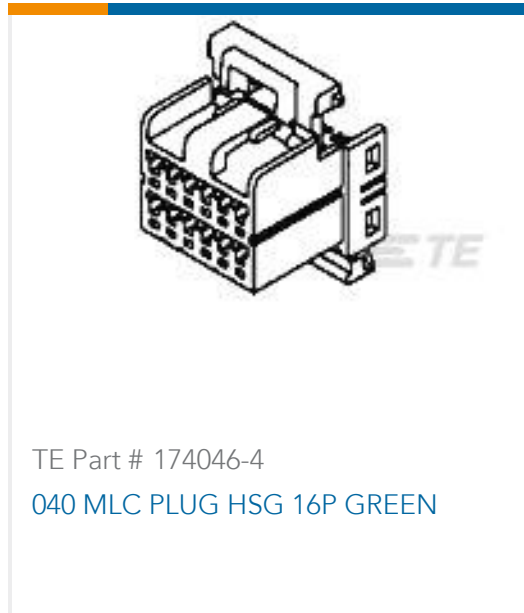
TE Part # 174045-4
040 MLC PLUG HSG 12P GREEN



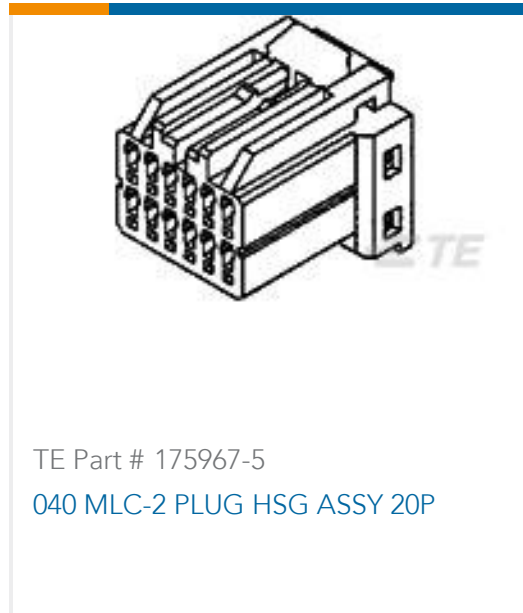
TE Part # 174966-4
040 MLC PLUG HSG 4P GREEN



TE Part # 174966-5
MLC PLUG HSG 4P BLUE

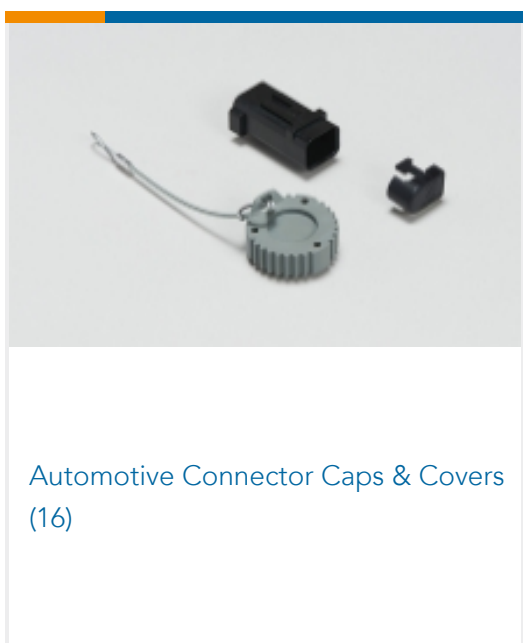


TE Part # 174046-4
040 MLC PLUG HSG 16P GREEN

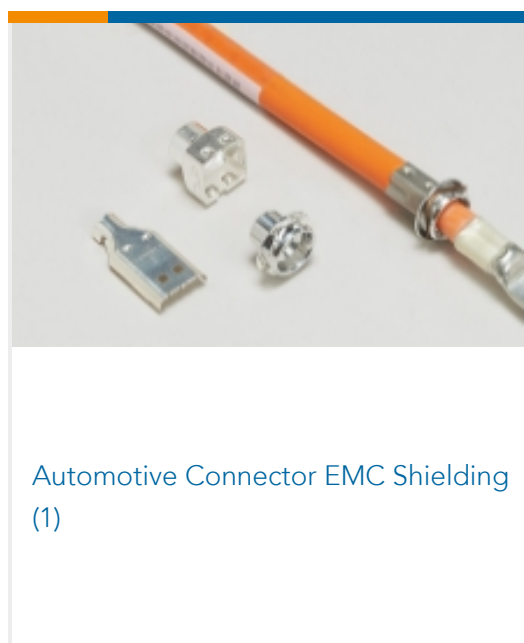


TE Part # 175967-5
040 MLC-2 PLUG HSG ASSY 20P

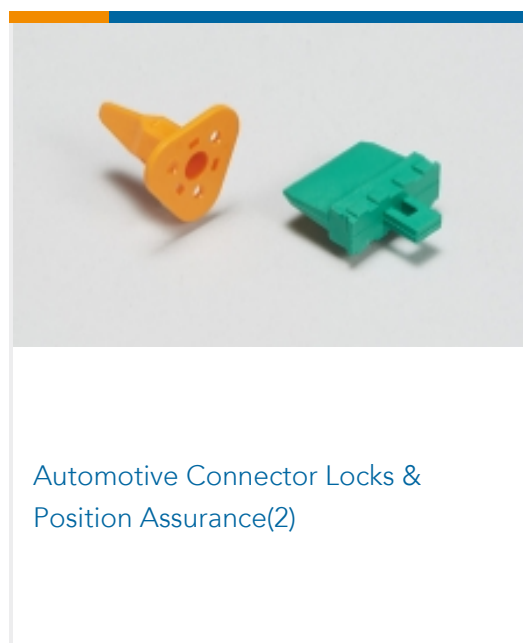
Also in the Series | Multilock Connector System



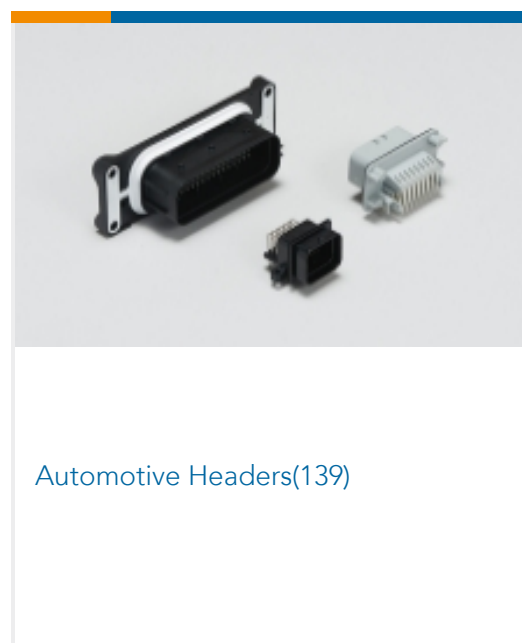
Automotive Connector Caps & Covers
(16)



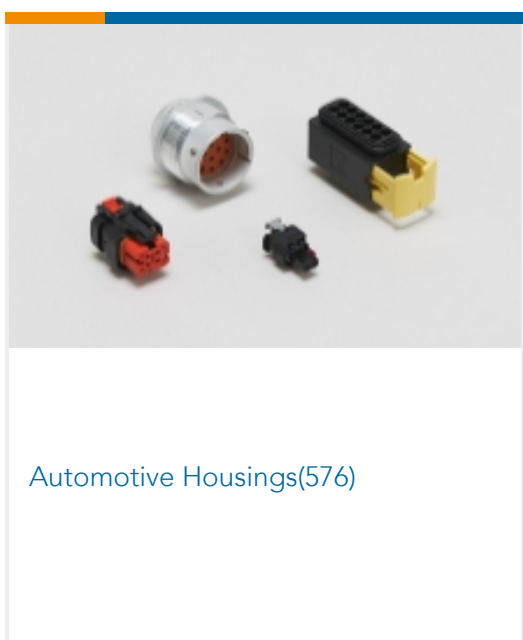
Automotive Connector EMC Shielding
(1)



Automotive Connector Locks &
Position Assurance(2)



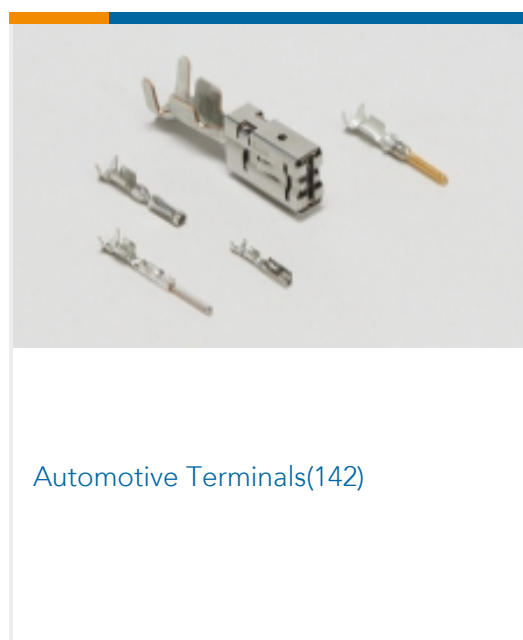
Automotive Headers(139)



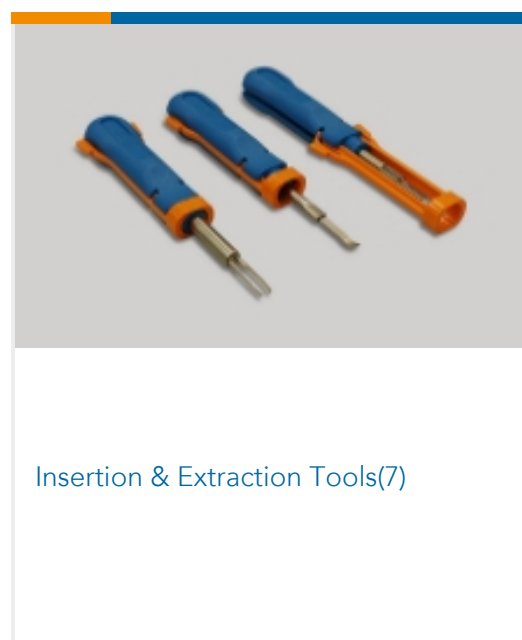
Automotive Housings(576)



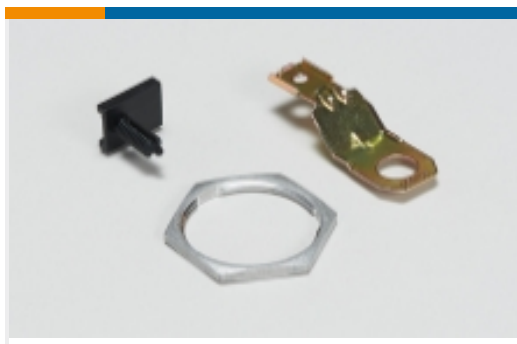
Automotive Seals & Cavity Plugs(2)



Automotive Terminals(142)



Insertion & Extraction Tools(7)



Other Automotive Connector
Accessories(9)

Customers Also Bought



TE Part #58522-1
PRO-CRMPR II TOOL & DIE



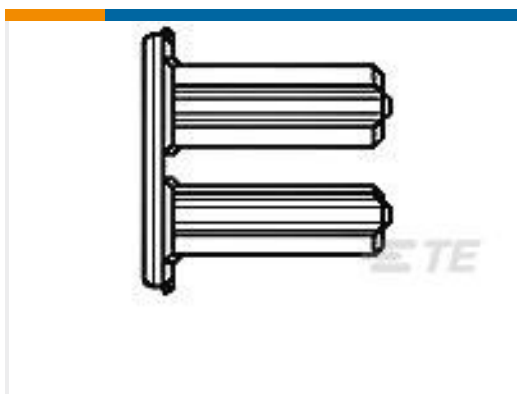
TE Part #175063-1
MULTILOCK, RECEPTACLE AND TAB



TE Part #174975-2
SIGNAL HEADER



TE Part #174045-2
MULTILOCK, CONNECTOR HOUSING



TE Part #967631-1
2. KONT-SICHERUNG 9P



TE Part #2822357-1
070 CAVITY PLUG

Documents

Product Drawings

040 MULTILOCK REC CONT L/P

English

CAD Files

3D PDF

English

Customer View Model

[ENG_CVM_175062-1_O.2d_dxf.zip](#)

English

Customer View Model

[ENG_CVM_175062-1_O.3d_igs.zip](#)

English

Customer View Model

[ENG_CVM_175062-1_O.3d_stp.zip](#)

English

By downloading the CAD file I accept and agree to the [Terms and Conditions](#) of use.



Datasheets & Catalog Pages

MULTILOCK Connector System

English

Product Specifications

Application Specification

English

Crimping .040 Series, Receptacle Contact

Japanese

Application Specification

Japanese