


760nm~770nm 2W TO3 Package Laser Diode

770nm Laser Diode| High Power LD| 2W Power| TO Package

WSLD-770-002-3

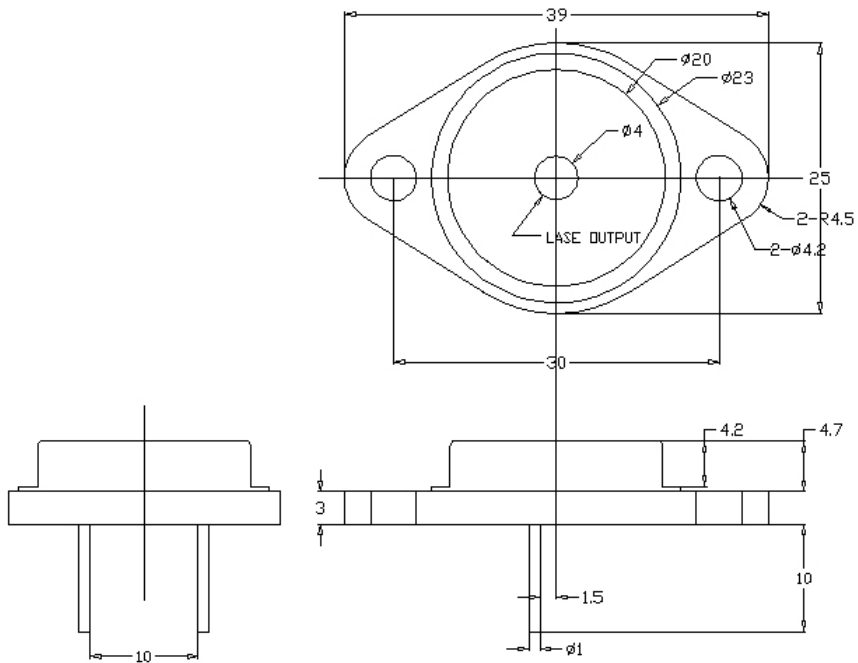
Wavespectrum Laser, Inc.

www.wavespectrum-laser.com

770nm Laser Diode 2W		Wavespectrum Laser, Inc	
PARAMETER	SYMBOL	VALUE	UNIT
Reverse Voltage	$V_r$	2.0	V
Operating Temperature	$T_{op}$	-10 ~ +30	°C
Storage Temperature	$T_{stg}$	-40 ~ +85	°C
Lead soldering temperature (10 sec.)	$T_{is}$	260	°C
<b>Features:</b> <ul style="list-style-type: none"> <li>770nm</li> <li>Multimode</li> <li>TO3,C-mount package</li> </ul>			
<b>Applications:</b> <ul style="list-style-type: none"> <li>Medical laser treatment</li> <li>Laser indicator</li> <li>Others</li> </ul>			
<b>Specifications</b>	<b>WSLD-770-002-3</b>		
	Min	Type	Max
Center Wavelength@25°C	----	770nm +/- 10nm	----
Spectral Width (FWHM)		2.0nm	
Output Power	----	2W	----
Emitter Area	----	150x1µm	----
Beam Divergence (FWHM)	35°± x 7°//	34°± x 8°//	38°± x 10°//
Temperature Coefficient of Wavelength	----	0.3nm / °C	----
Slope Efficiency	0.9W/A	1.0W/A	1.2W/A
Threshold Current (Typ.)	----	0.3A	0.5A
Operating Current (Typ.)	----	2.0A	2.7A
Operating Voltage	----	2.0V	2.5V
Package Style	TO3/C-mount		
Recommended Operating Temperature	25°C		



### TO3 Package View



Electrically shorten LD module and store in non-extreme conditions.

Suggest using the constant current power supply.

