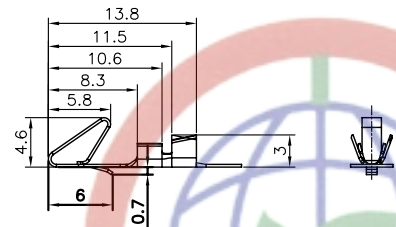


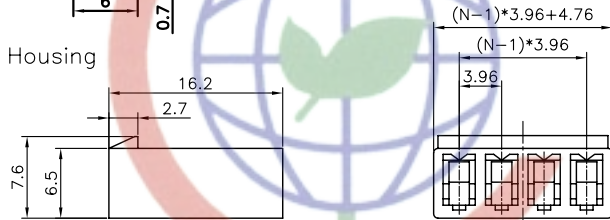
Female Terminal



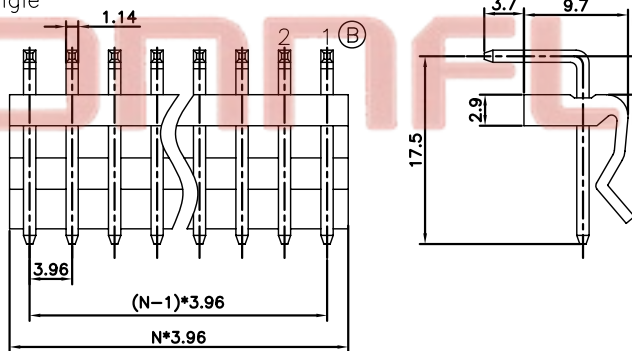
Female Terminal

Wire Range		O.D of Wire
Section Area (mm ²)	AWG#	mm
0.2~0.75	24~18	1.3~2.8

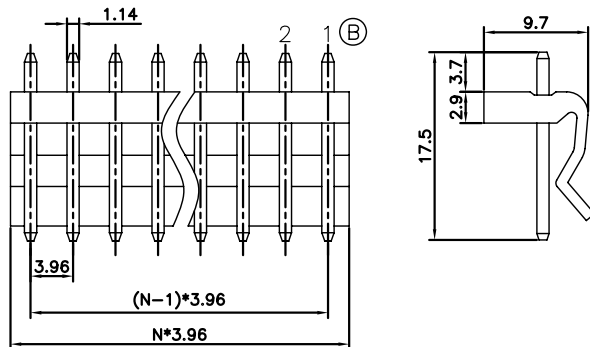
Female Housing



Male Right Angle



Male V/T TYPE



N=No. of contacts

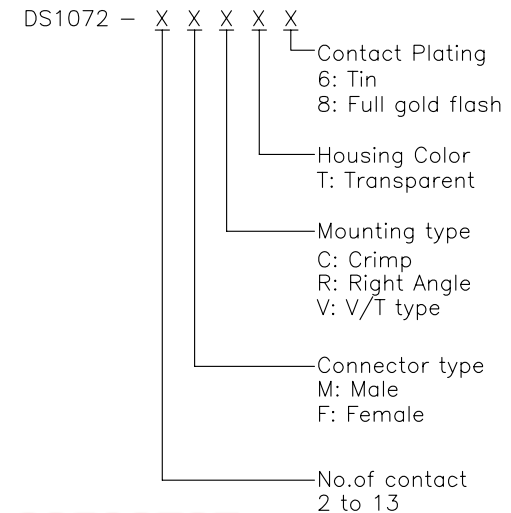
REV.	DESCRIPTION	DRAWN	CHECKED	APPROVED
A	NEW RELEASE	LL 10/09/06	~	LJC 10/09/06
B	增加pin数方向	LL 12/21/06		

NOTES:

1. MAIN SPECIFICATIONS

- . Housing material: NYLON 66
- . Wire range: AWG#24~#18
- . Rated voltage: 250V
- . Rated current: 1A
- . Contact resistance: ≤30mΩ
- . Insulation resistance: ≥1000MΩ
- . Withstanding voltage: 500V,AC 1 minute
- . Temperature range: -25 ~ +85°C
- . Recommend PC board thickness:1.6mm

2. PRODUCT NUMBER CODE:



Tel: 86-574-63508787

Fax: 86-574-63510817

GENERAL TOLERANCE		ANGLE TOLERANCE		PROJECTION	TITLE
X.	±0.60	X.	±5°	mm	P.C.B CONNECTOR Pitch 3.96mm
.X	±0.38	.X	±3°	UNITS	
.XX	±0.25	.XX	±2°	SHEET SIZE	A4
DRAWING TYPE		CUSTOMER		SERIES	DS1072
SCALE		1:1		SHEET 1 OF 1	
DRAWING NO.		C-DS1072-XXXXX			



晨翔电子有限公司

CONNFLY CONNFLY ELECTRONIC CO. LTD