

# Dia 12mm 15mm 18mm 20mm Mic Acoustic Pickup Piezoelectric Buzzer Piezo Ceramic Disc



## Quick Details

Model Number: HY-Ceramic element  
Type: Buzzer  
Place of Origin: Jiangsu, China  
Brand Name: HYDZ  
Material: Brass, Brass  
Color: Golden  
Input Type: AC, DC  
Voltage Range: 1-24v  
Frequency: 2000-4000hz  
Technology: Piezo  
Operating Temperature: -20°C ~ 75°C  
Size / Dimension: 12-50mm  
Height - Seated (Max): 0.25  
Impedance: 1500  
Capacitance @ Frequency: 12000pF @ 1kHz  
Frequency Range: 80db  
Height (Max): 0.25  
Frequency - Self Resonant: 4900  
Efficiency - Type: Sensitivity  
Rated Voltage: 9V  
Function: Voice  
Size: Custom Size  
Packaging Details put in bubble chamber, 100 pcs per box

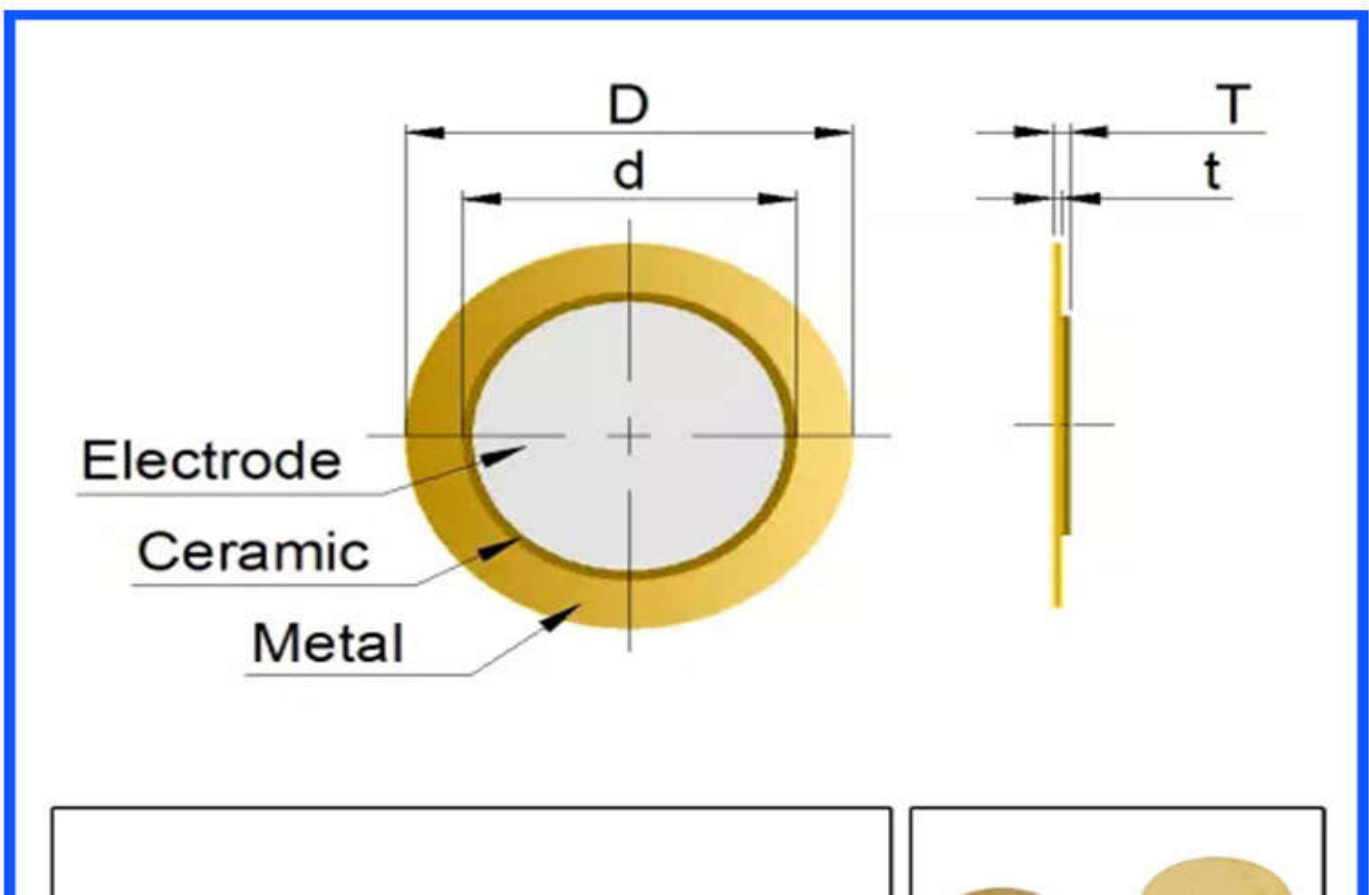
## Product Description

Products Name	Piezoelectric Ceramic Element
Dimension	12-50MM
Frequency	Customized

# PIEZOELECTRIC CERAMIC ELEMENT DISC

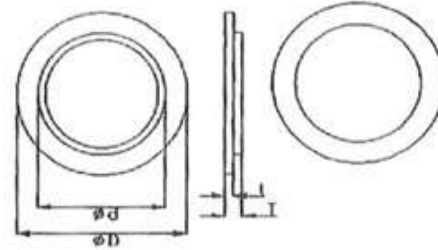
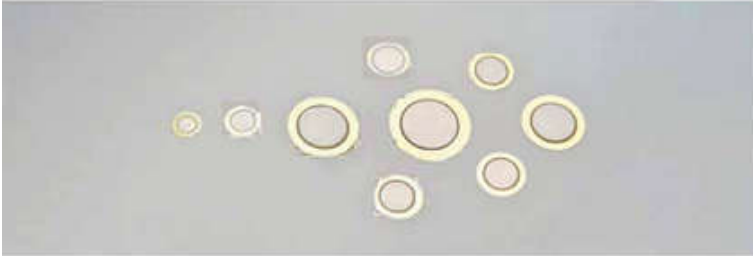


## PRODUCT DETAILS



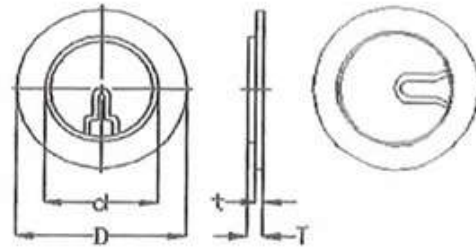
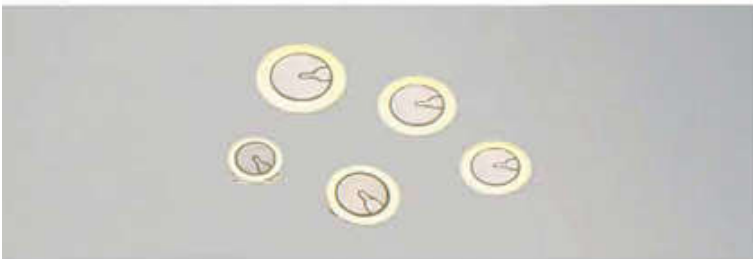
# MODEL PARAMETERS

## One Side No Feedback



Part Number	Model No.	Resonant Frequency(KHz)	Resonant Impedance(Ω)Max.	Capacitance (pF)±30%	Dimensions(mm)				Base Material
					D	d	T	t	
HY-12490B	HY-12490BD0	4.9±1.0	1500	17000	12.00	9.00	0.12	0.05	Brass
HY-15580B	HY-15580BD0	5.8±0.5	800	10000	15.00	10.00	0.23	0.10	Brass
HY-2040B	HY-20402BS1	5.1±0.5	200	26000	20.00	14.60	0.38	0.25	Brass
HY-20650B	HY-20650BD0	6.5±0.5	350	12000	20.00	14.80	0.40	0.20	Brass
HY-21280B	HY-21280BD0	2.8±0.2	500	20000	21.00	15.00	0.20	0.10	Brass
HY-21300B	HY-21300BD0	3.0±0.5	200	28000	21.00	15.00	0.23	0.10	Brass
HY-21320S	HY-21320SD0	3.2±0.2	500	25000	21.00	14.80	0.22	0.10	Stainless
HY-27280B	HY-27280BD0	2.8±0.5	400	30000	27.00	19.80	0.33	0.15	Brass
HY-27290B	HY-27290BD0	2.9±0.3	300	36000	27.00	20.00	0.32	0.20	Brass
HY-27290S	HY-27290SD0	2.9±0.5	200	36000	27.00	19.80	0.32	0.20	Stainless
HY-27350B	HY-27350BD0	3.4±0.2	200	22000	27.00	19.80	0.40	0.20	Brass
HY-27440B	HY-27440BD0	4.4±0.5	300	18000	27.00	19.80	0.50	0.25	Brass
HY-31130T	HY-31130TD0	1.3±0.3	500	52000	31.00	20.00	0.22	0.10	Iron Nickel Alloy
HY-35290B	HY-35290BD0	2.9±0.5	300	30000	35.00	24.80	0.58	0.30	Brass
HY-41080T	HY-41080TD0	0.8±0.3	1000	70000	41.00	25.00	0.23	0.10	Iron Nickel Alloy
HY-50280B	HY-50280BJ0	2.8±0.5	500	35000	50.00	25.00	0.42	0.20	Brass

## One Side Feedback



Part Number	Model No.	Resonant Frequency(KHz)	Resonant Impedance(Ω)Max.	Capacitance (pF)±30%	Dimensions(mm)				Base Material
					D	d	T	t	
HY-12491B	HY-12491BD0	4.9±0.5	1000	13000	12.00	9.00	0.12	0.05	Brass
HY-20321T	HY-20321TF0	3.2±0.4	400	24000	20.00	15.00	0.21	0.10	Iron Nickel Alloy
HY-21311B	HY-21311BF0	3.1±0.2	300	25000	21.00	15.00	0.18	0.10	Brass
HY-21321B	HY-21321BD0	3.2±0.3	300	25000	21.00	15.00	0.23	0.12	Brass
HY-27281B	HY-27281BD0	3.0±0.2	400	27500	27.00	20.00	0.34	0.20	Brass
HY-27291B	HY-27291BD0	2.9±0.3	300	30000	27.00	20.00	0.32	0.20	Brass
HY-27291S	HY-27291SF0	2.9±0.5	200	30000	27.00	20.00	0.28	0.15	Stainless
HY-27351B	HY-27351BF0	3.5±0.3	300	25000	27.00	20.00	0.35	0.20	Brass
HY-27351S	HY-27351SF0	3.5±0.2	200	30000	27.00	20.00	0.28	0.15	Stainless