

SPEED/PACKAGE AVAILABILITY

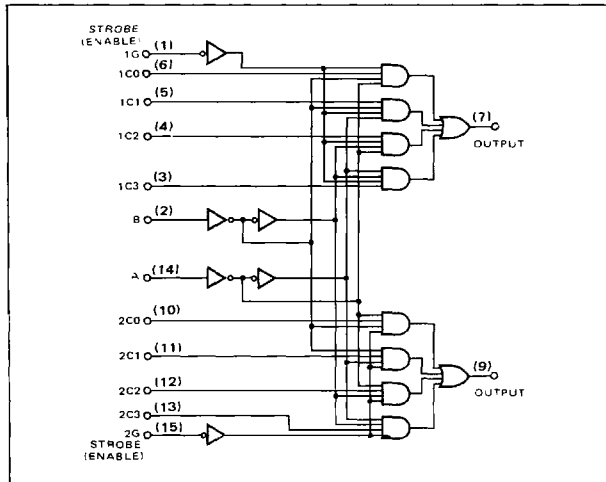
54	F,W	74	B,F
54LS	F,W	74LS	B,F
54S	F,W	74S	B,F

TRUTH TABLE

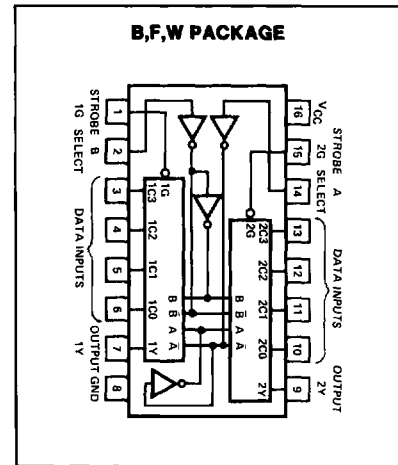
SELECT INPUTS		DATA INPUTS				STROBE	OUTPUT
B	A	C0	C1	C2	C3	G	Y
X	X	X	X	X	X	H	L
L	L	L	X	X	X	L	L
L	L	H	X	X	X	L	H
L	H	X	L	X	X	L	L
L	H	X	H	X	X	L	H
H	L	X	X	L	X	L	L
H	L	X	X	H	X	L	H
H	H	X	X	X	L	L	L
H	H	X	X	X	H	L	H

Select inputs A and B are common to both sections.
H = high level, L = low level, X = irrelevant

BLOCK DIAGRAM



PIN CONFIGURATION



1991

SWITCHING CHARACTERISTICS $V_{CC} = 5V, T_A = 25^\circ C$

TEST CONDITIONS			54/74			54/74LS			54/74S			UNIT
			$C_L = 30pF, R_L = 400\Omega$			$C_L = 15pF, R_L = 2K\Omega$			$C_L = 15pF, R_L = 280\Omega$			
PARAMETER	FROM INPUT	TO OUTPUT	MIN	TYP	MAX	MIN	TYP	MAX	MIN	TYP	MAX	
Propagation delay time												
t _{PLH}	Low-to-high	Data		12	18		10	15		6	9	ns
t _{PHL}	High-to-low			15	23		17	26		6	9	
t _{PLH}	Low-to-high	Address		22	34							
t _{PHL}	High-to-low			22	34							
t _{PLH}	Low-to-high	Strobe		19	30		16	24		10	15	
t _{PHL}	High-to-low			15	23		21	32		9	13.5	
t _{PLH}	Low-to-high	Select		19	29		19	29		11.5	18	
t _{PHL}	High-to-low						25	38		12	18	

Load circuit and typical waveforms are shown at the front of section.