

26-core aviation plug X24K26P X24J26P X24J26A X24K26A



- DETAILS

Brand	
EMICORCOM model	26-core aviation plug X24K26P X24J26P X24J2
Color Classification	Formal Set = Plug Socket X24K26P Plug With Hole X24J26A Socket With Pin Inverted Set = Plug Socket X24J26P Plug With Pin
Plug Category	Conversion Plug



DSC_0021



DSC_0022



DSC_0023



DSC_0021



DSC_0022



DSC_0023



IMG_1547 副本

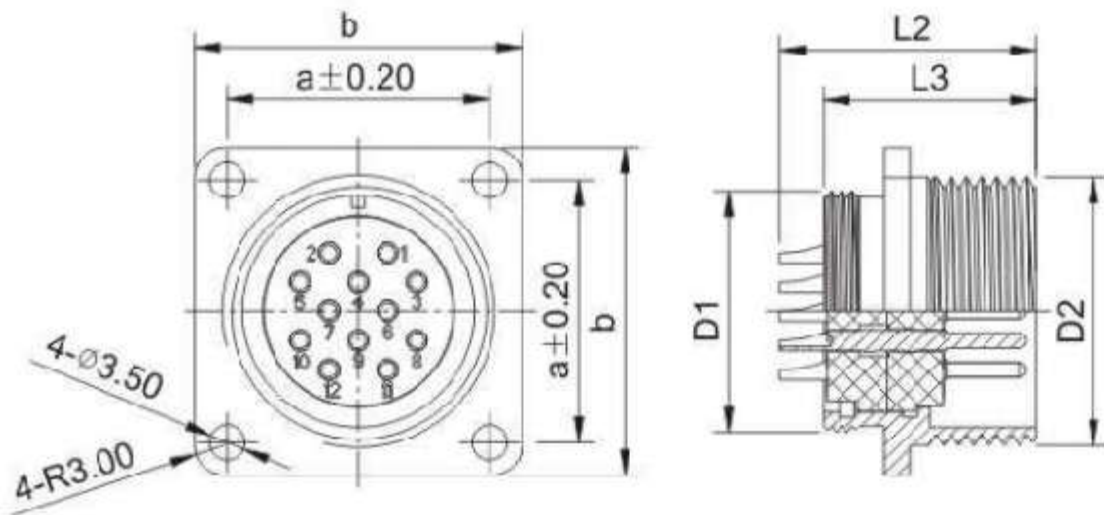


IMG_1548 副本



IMG_1550 副本

安装尺寸 Dimensions



型号 Type	安装尺寸 (mm) Fixing dimension					
	D1	d	D2	D3	D4	L
X14	M16×1	8.5	21	11.4	14.5	40
X22	M24×1	14	29	19.6	22.5	48
X24	M27×1.5	18	33	22.6	25	48
X30	M33×1.5	24	35	28	31	52

外型尺寸 (mm) Shape dimension		
a	b	L1
17	24	23
23	30	23
26	33	23

型谱图 Insert configuration

