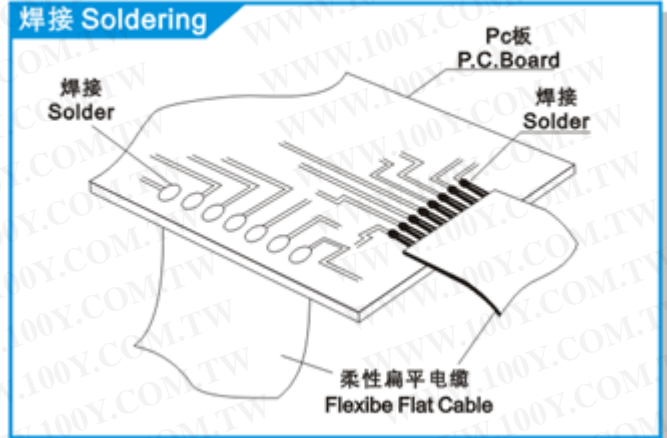
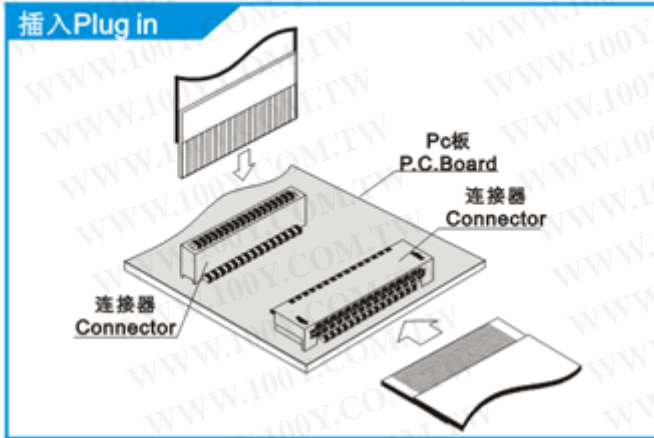


勝特力材料 886-3-5753170
 勝特力电子(上海) 86-21-54151736
 勝特力电子(深圳) 86-755-83298787
[Http://www.100y.com.tw](http://www.100y.com.tw)

连接器 Connections



电缆类型 Cable Type

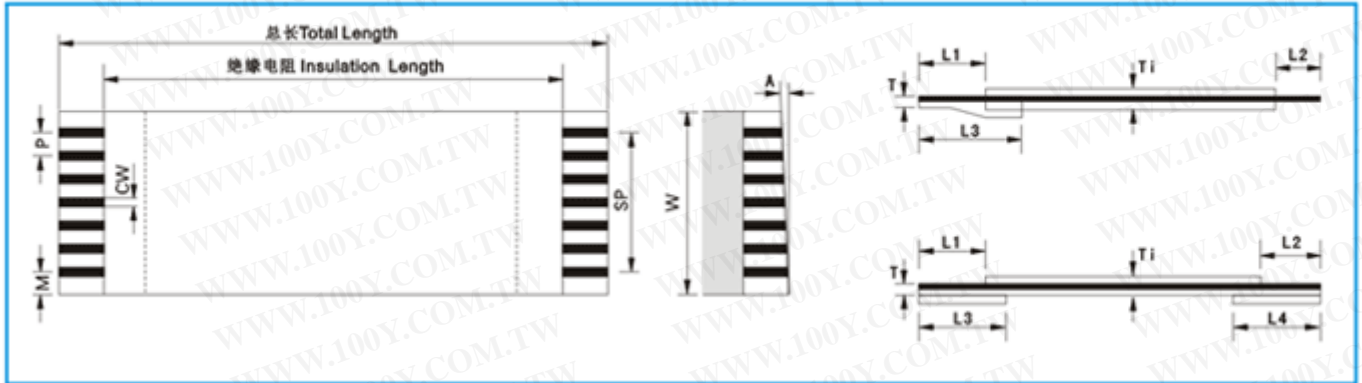
类型 Type	顶视图 Top View	俯视图 Side View
A		
B		
C		
D		
E		
F		
G		
H		
I		

导体型号 Selection Guide For Connectors

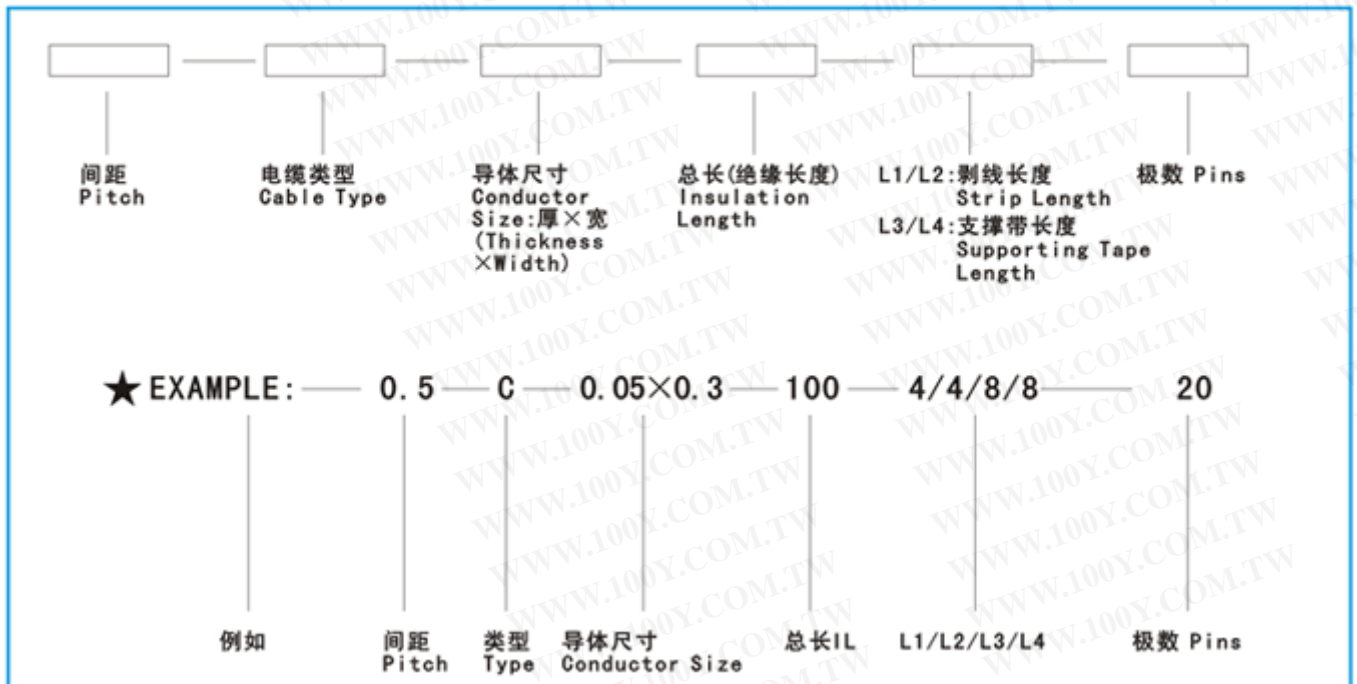
单位: Unit: mm

间距 Pitch		0.5	0.8	1.0	1.25	1.27	2.0	2.54
导体的类型 Conductors for type A, B, C, D, E, F	厚度×宽度: Thickness ×Width	0.1×0.3 0.035×0.3	0.1×0.5 0.05×0.5	0.1×0.5 0.05×0.5 0.035×0.7	0.1×0.8 0.05×0.8 0.035×0.8	0.1×0.8 0.05×0.8	0.1×0.65 0.1×0.8	0.1×0.8 0.1×1.27
导体的类型 Conductors for G	厚度×宽度: Thickness ×Width	— 0.1×0.5(更多尺寸供选择/PBW)						

外形尺寸 Mechanical dimension



型号说明 Ordering Information



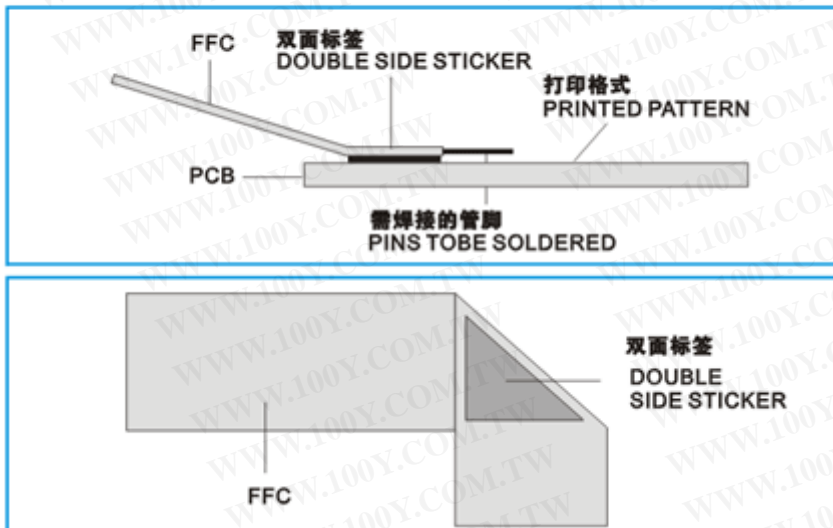
尺寸公差 Dimensional Tolerances

单位: Unit: mm

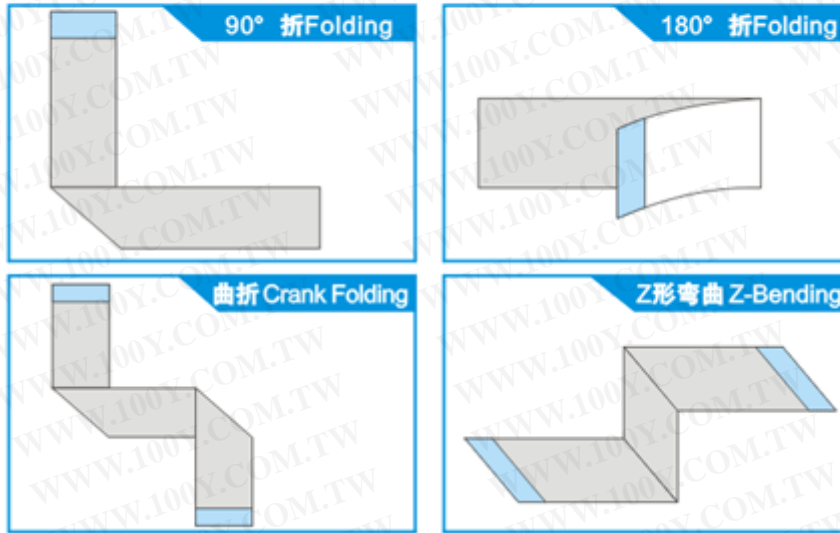
证号 Symbol	P	W	SP	M	IL	TL	L1	L2	L3	L4	A	Ct	Cw	Ti	T
范围 Range	0.5~2.54	P(n+1) 4.0min	P(n-1)	同P一样 Same as P	20 minimum	IL+S1+S2	3.0~ 6.0	2.0~ 5.0	5.0~ 20	5.0~ 20	0	0.028~ 0.1	0.3~ 1.27	0.10~ 0.22	0.27~ 0.32
公差 Tolerance	P0.5±0.05 P0.8±0.08 P1.0±0.10 P1.25±0.10 P2.0±0.10 P2.54±0.10	±0.3	±0.3	±0.2	±3(30~100) ±5(101~300) ±8(301~600) ±10(601~∞)		±1.0	±1.0	±2.0	±2.0	0.5 Max	±0.01	±0.03	±0.02	±0.05

位置处理 Post Processes

1、粘貼双面标签 Affxing Double Side Sticker



2、折/弯成一角度Folding/Bending To an Angle



FFC 特殊类型 Special Type FFC

1、增强弹性的FFC: Flexibility Enhanced FFC

便于激光加速机构和PC板的连接，大多数的喷墨打印机都采用这类线。
 Good to connect between laserpick up mechanism and P.C.
 Board.Also,most ink jet printers are adopting this type of cable.

类型 Type	线厚 Thickness of Cable	寿命 Flexibility Life
常用类型 Regular Type	0.16~0.22mm	N/A
特殊类 Super Flexible FFC	0.12mm	more than 3,000,000 cycles*
终端柔性 Ultra Flexible FFC	0.10mm	more than 3,000,000 cycles*

★ 测试在40mm行程，5mm半径，4周/秒和25℃，相对湿度60%的条件下进行。
 ★ Tested under the condition of 40mm travel, 5mm radius, 4c/s and 25℃ 60%

The diagram shows a horizontal line representing the FFC cable. A curved arrow indicates a bend with a radius of 5mm. A dimension line below the curve shows a travel distance of 40mm.

2、黑色类型 Black Color Type

黑色绝缘体将被白色代替

Black colored insulator can be used instead of white color.

(Only for UL 2896)

3、遮蔽类型 Shield Type

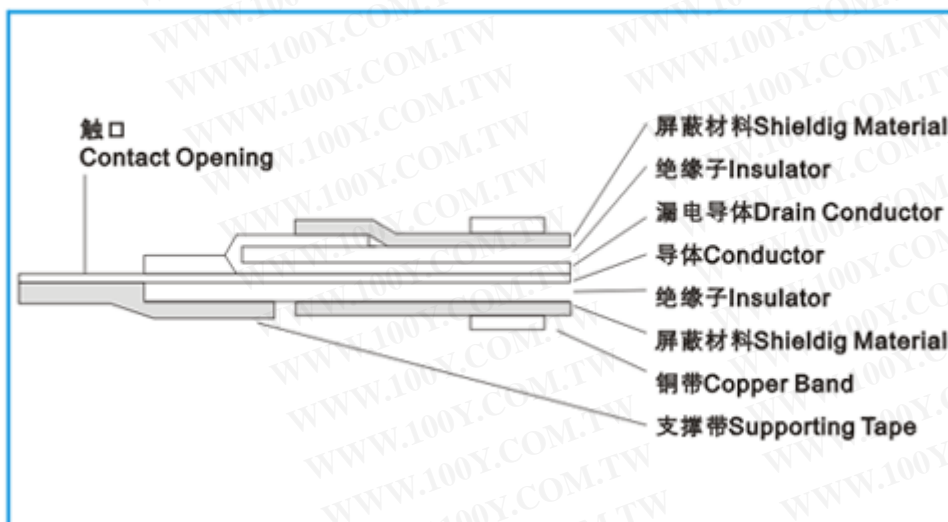
提供多种FFC遮蔽类型,并遵守EMI的要求。

To comply with EMI requirements, various type of shielded FFCs are ready to supply.

A. 遮蔽材料 Shielding Materials

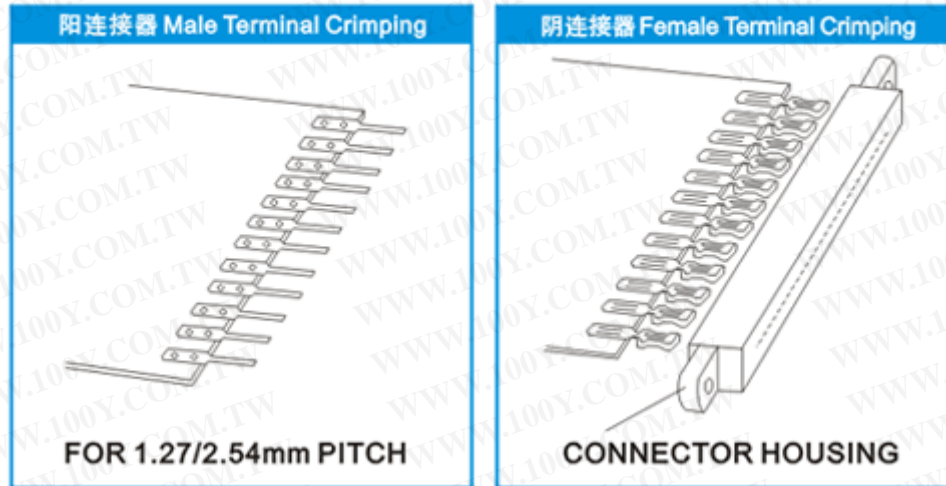
材料 Material	用法 Usage	接地 Earth Drain	标记 Remarks
用铝箔胶合进行光导 Aluminum foil with conductive glue	一般型遮蔽 General type shielding	Yes	聚酯薄膜透成的 非导电性表面 Polyester Film Laminated Non-Conductive Surface
用铜箔胶合进行光导 Copper foil with conductive glue	高性能的遮蔽 High Performance Shielding	Yes	
传导结构 Conductive fabric with conductive glue	柔性屏蔽/备有单边 屏蔽 Flexible shielding/ single side Shielding available	Yes	导电性表面 Conductive Surface
镀银 Silver powder based ink	柔性屏蔽 Flexible shielding	No	电缆上的丝网, 导电性表面 Silk Screened on The Cable, Conductive Surface

B. 接地线槽/铜带 Earth Drain/Copper Band



勝特力材料 886-3-5753170
 勝特力电子(上海) 86-21-54151736
 勝特力电子(深圳) 86-755-83298787
[Http://www.100y.com.tw](http://www.100y.com.tw)

4、端子卷曲式 Terminal Crimping Type



电气特性 Electrical Characteristics

NO.	测试项目 Test Item	特性 Characteristics
1	绝缘电阻: Insulation Resistance Between Conductors	More than 100MΩ (DC500V, At°C)
2	耐压: Dielectric Strength Between Conductors	AC500V/10mA 1MIN.
3	导体尺寸: Conductor Size	0.1×1.27 0.1×0.8 0.05×0.8 0.1×0.65 0.05×0.65 0.035×0.65 0.028×0.65 0.1×0.5 0.05×0.5 0.05×0.5 0.1×0.3 0.05×0.3 0.035×0.3 0.1×0.5 (PBW)
	导体电阻/m: Conductor Resistance (/m)	0.17Ω 0.27Ω 0.53Ω 0.35Ω 0.63Ω 0.96Ω 1.12Ω 0.42Ω 0.88Ω 1.15Ω 0.70Ω 1.45Ω 1.89Ω 2.80Ω
4	导体电容/m: Capacitance Between Conductors (/m)	Less than 90pF (0.1mm PITCH) Less than 75pF(1.25mm PITCH) Less than 45pF (2.54mm PITCH) AT 1KHz
5	阻抗特性: Characteristic Impedance	80Ω (1.25mm PITCH) 120Ω (2.54mm PITCH)

机械特性 Physical/Mechanical Characteristics

NO.	测试项目 Test Item	特性 Characteristics	
1	老化 Aging	任意放置在85°C条件下96小时 Left Unattended for 96 Hours at 85°C	
2	阻燃 Flammability	通过 UL 认证 Pass UL VW-1	
3	工作温度 Temperature Cycling	-40°C→-25°C→85°C→25°C→12HRS. 5 Cycles	
4	湿度 Humidity	任意放置在40°C, 湿度为95%的条件下96小时 Left Unattended for 96 Hours at 40°C 95%RH.	
5	弹性 Flexibility	正常类型 Normal Type	反复循环次数多于100,000 (15R×10Cm×60 cycle/min) More than 1000,000 cycles (15R×10Cm×60 cycle/min.)
		柔性类型 Flexible Type	看第三页 See "Flexibility Enhanced FFC" in Page3
6	磨损 Abrasion	不应发现有任何裸露的导线 (0.5mm, 5Cm, 600g, 60周期/最少, 超过10,000周期) No exposure of conductor should be found (0.5mm, 5Cm, 600g, 60 cycle/min, more than 10,000 cycles)	
7	弯曲 Bending	超过50周期 More than 50 cycles (±90°, 20g/Pin, 0.4R)	

适合连接器的特性 Characteristics of ConnectorFit

NO.	项目 Item	特性 Characteristics	
1	接触电阻 (<100mA) Contact resistance (Below 100mA)	初始值 Initial	≤30mΩ
		测试后 After test	≤50mΩ
2	绝缘电阻 (DC 500V) Insulation resistance between conductors (DC 500V)	初始值 Initial	≥100MΩ
		测试后 After test	≥50MΩ
3	导体的绝缘强度 (DC 500V/1min) Dielectric strength between conductors (DC 500V/1min)	Withatand the voltage	
4	稳定性 (在20次插、拔后) Stability (after 20 times of insert and pull out)	必须符合项目1和项目2的要求 Must Passitem NO.1 and NO.2	
5	盐水喷洒 (标准为202E, 101D无人看管下, 时间为48小时) Sal twater spray (MIL-STD-202E, 101D left unattended for 48 hours)	必须符合项目1和项目2的要求 Must Passitem NO.1 and NO.2	
6	温度循环 (标准为202E, 102A, 5次循环) Temperature cycling (MIL-STD-202E, 102A, 5CYCLES)	必须符合项目1和项目2的要求 Must Passitem NO.1 and NO.2	
7	抗潮 (标准为202E, 106D) Moisture resist (MIL-STD-202E, 106D)	必须符合项目1和项目2的要求 Must Passitem NO.1 and NO.2	