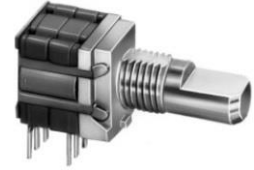


SR10010F Series

Application

- ✓ Video, Audio, Home appliance, Precision apparatus,
Automotive, Musical instruments, Industrial control, Others



Feature

- ✓ Up to 6 positions Horizontal type switches with optional metal shafts.

■Specification

Rating	16V DC 0.1A
Contact Resistance	50 mΩ Max.
Rotational Torque	400 ± 200 gf.cm
Operating Life Cycle (Without Load)	10,000 cycles

■How to order

SR10010F – 0102 – 15R0A – C7 – N

[Model](#)

Number of Pole & Position
Ex. 0102 – 1 pole 2 positions
0402 – 4 poles 2 positions

[Shaft Type](#)

Timing:

Order Code	Description
N	Non-shorting (break-before-make)

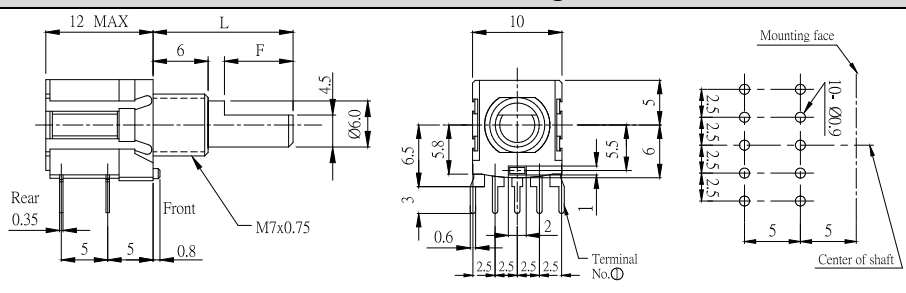
Bushing Type:

Order Code	Bushing Length	Bushing Diameter
C7	6mm	M7*0.75

SR10010F Series

Model Description

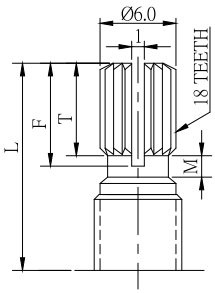
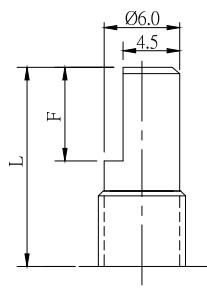
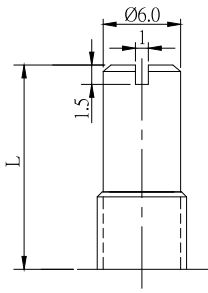
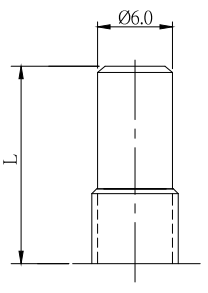
Model	Terminal Type	Pole	Position	Changeover Angle	Timing
SR10010F	PCB	1	2~6	30°	Non-shorting
		2	2~6		
		4	3~5		

Order Code	Outline Drawing																																
SR10010F-□□-(L)F0A-C7-N	 <table border="1"> <tr> <td>0102</td> <td>0103</td> <td>0104</td> <td>0105</td> <td>0106</td> </tr> <tr> <td></td> <td></td> <td></td> <td></td> <td></td> </tr> <tr> <td>0202</td> <td>0203</td> <td>0204</td> <td>0205</td> <td rowspan="2">  ● DUMMY TERMINAL </td> </tr> <tr> <td></td> <td></td> <td></td> <td></td> </tr> <tr> <td colspan="5">  <table border="1"> <tr> <td>0206</td> <td>0403</td> <td>0404</td> <td>0405</td> </tr> <tr> <td></td> <td></td> <td></td> <td></td> </tr> </table> </td> </tr> </table>	0102	0103	0104	0105	0106						0202	0203	0204	0205	 ● DUMMY TERMINAL					 <table border="1"> <tr> <td>0206</td> <td>0403</td> <td>0404</td> <td>0405</td> </tr> <tr> <td></td> <td></td> <td></td> <td></td> </tr> </table>					0206	0403	0404	0405				
0102	0103	0104	0105	0106																													
0202	0203	0204	0205	 ● DUMMY TERMINAL																													
 <table border="1"> <tr> <td>0206</td> <td>0403</td> <td>0404</td> <td>0405</td> </tr> <tr> <td></td> <td></td> <td></td> <td></td> </tr> </table>					0206	0403	0404	0405																									
0206	0403	0404	0405																														

[Back to top](#)

SR10010F Series

■ Shaft Type

Order Code	(L)KOA	(L)FOA	(L)SOA	(L)ROA
Shaft Type	18 Teeth knurled	Flat shaft	Slotted shaft	Round shaft
Dimensions				
Standard Shaft Length (L)	15, 20, 25, 30			

Design and specifications presented here are for the standard parts only. Please kindly contact us for your special requests and ask for the current technical specifications before purchase and/or use.

[Back to top](#)

Mouser Electronics

Authorized Distributor

Click to View Pricing, Inventory, Delivery & Lifecycle Information:

[Alpha \(Taiwan\):](#)

[SR10010F-0204-20F0B-C7-N-0027](#) [SR10010F-0202-20F0B-C7-N-0027](#) [SR10010F-0205-20F0B-C7-N-0027](#)
[SR10010F-0106-20F0B-C7-N-0027](#) [SR10010F-0205-20F0A-C7-N-0027](#)