

Advanced Regulating Pulse Width Modulators

FEATURES

- Fully Interchangeable with Standard UC1524 Family
- Precision Reference Internally Trimmed to $\pm 1\%$
- High-Performance Current Limit Function
- Under-Voltage Lockout with Hysteretic Turn-on
- Start-Up Supply Current Less Than 4mA
- Output Current to 200mA
- 60V Output Capability
- Wide Common-Mode Input Range for both Error and Current Limit Amplifiers
- PWM Latch Insures Single Pulse per Period
- Double Pulse Suppression Logic
- 200ns Shutdown through PWM Latch
- Ensured Frequency Accuracy
- Thermal Shutdown Protection

DESCRIPTION

The UC1524A family of regulating PWM ICs has been designed to retain the same highly versatile architecture of the industry standard UC1524 (SG1524) while offering substantial improvements to many of its limitations. The UC1524A is pin compatible with "non-A" models and in most existing applications can be directly interchanged with no effect on power supply performance. Using the UC1524A, however, frees the designer from many concerns which typically had required additional circuitry to solve.

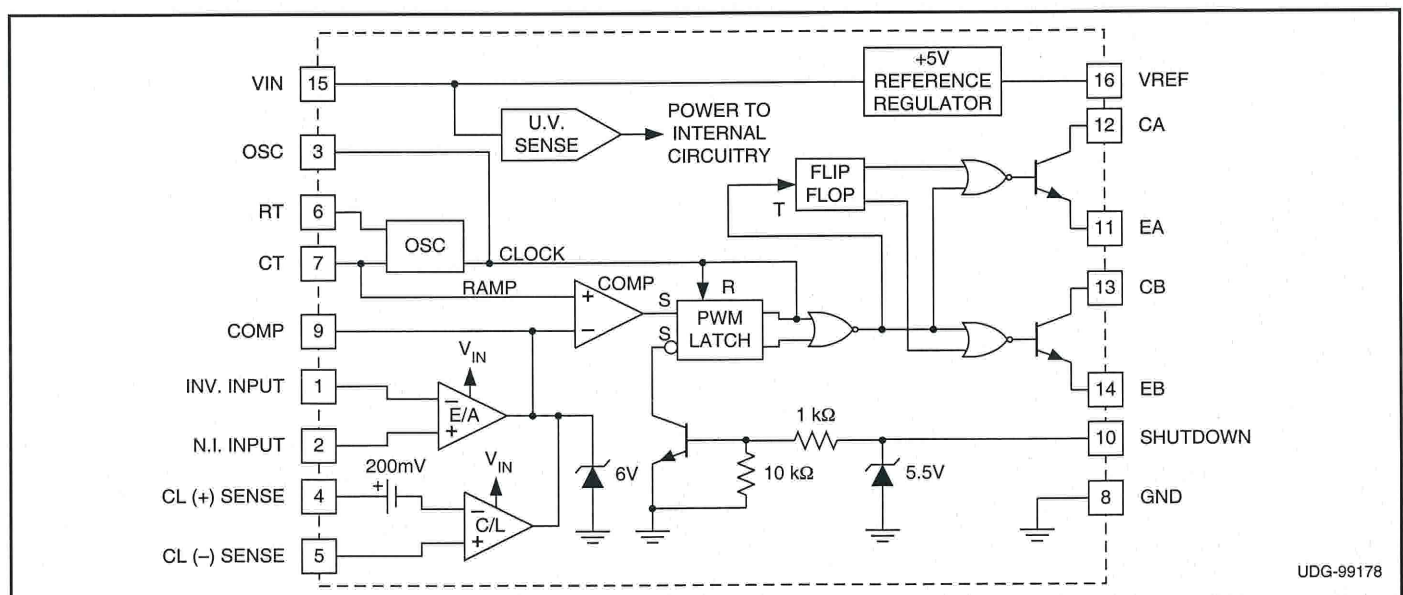
The UC1524A includes a precise 5V reference trimmed to $\pm 1\%$ accuracy, eliminating the need for potentiometer adjustments; an error amplifier with an input range which includes 5V, eliminating the need for a reference divider; a current sense amplifier useful in either the ground or power supply output lines; and a pair of 60V, 200mA uncommitted transistor switches which greatly enhance output versatility.

An additional feature of the UC1524A is an under-voltage lockout circuit which disables all the internal circuitry, except the reference, until the input voltage has risen to 8V. This holds standby current low until turn-on, greatly simplifying the design of low power, off-line supplies. The turn-on circuit has approximately 600mV of hysteresis for jitter-free activation.

Other product enhancements included in the UC1524A's design include a PWM latch which insures freedom from multiple pulsing within a period, even in noisy environments, logic to eliminate double pulsing on a single output, a 200ns external shutdown capability, and automatic thermal protection from excessive chip temperature. The oscillator circuit of the UC1524A is usable beyond 500kHz and is now easier to synchronize with an external clock pulse.

The UC1524A is packaged in a hermetic 16-pin DIP and is rated for operation from -55°C to $+125^{\circ}\text{C}$. The UC2524A and 3524A are available in either ceramic or plastic packages and are rated for operation from -40°C to $+85^{\circ}\text{C}$ and 0°C to 70°C , respectively. Surface mount devices are also available.

BLOCK DIAGRAM



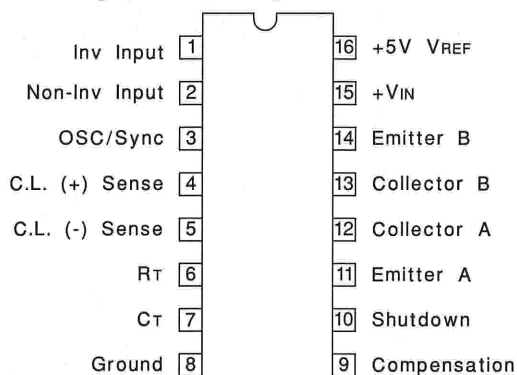
UDG-99178

ABSOLUTE MAXIMUM RATINGS

| | |
|---|-----------------|
| Supply Voltage (V _{IN}) | 40V |
| Collector Supply Voltage (V _C) | 60V |
| Output Current (each Output) | 200mA |
| Maximum Forced Voltage (Pin 9, 10) | -3 to +5V |
| Maximum Forced Current (Pin 9, 10) | ±10mA |
| Reference Output Current | 50mA |
| Oscillator Charging Current | 5mA |
| Power Dissipation at T _A = +25°C | 1000mW |
| Power Dissipation at T _C = +25°C | 2000mW |
| Operating Temperature Range | -55°C to +125°C |
| Storage Temperature Range | -65°C to +150°C |
| Lead Temperature, (Soldering, 10 seconds) | +300°C |

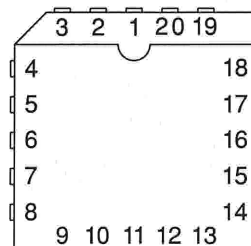
Note: Consult packaging section of Databook for thermal limitations and considerations of package.

DIL-16, SOIC-16 (TOP VIEW) J or N Package, DW Package



CONNECTION DIAGRAMS

PLCC-20, LCC-20 (TOP VIEW) Q or L Package



| PACKAGE PIN FUNCTION | |
|----------------------|-----|
| FUNCTION | PIN |
| N/C | 1 |
| Inv. Input | 2 |
| Non-Inv. Input | 3 |
| OSC/SYNC | 4 |
| C.L. (+) sense | 5 |
| N/C | 6 |
| C.L. (-) sense | 7 |
| R _T | 8 |
| C _T | 9 |
| Ground | 10 |
| N/C | 11 |
| Compensation | 12 |
| Shutdown | 13 |
| Emitter A | 14 |
| Collector A | 15 |
| N/C | 16 |
| Collector B | 17 |
| Emitter B | 18 |
| +V _{IN} | 19 |
| +5V V _{REF} | 20 |

ELECTRICAL CHARACTERISTICS: Unless otherwise stated, these specifications apply for T_A = -55°C to +125°C for the UC1524A, -40° to +85°C for the UC2524A, and 0°C to +70°C for the UC3524A; V_{IN} = V_C = 20V, T_A = T_J.

| PARAMETER | TEST CONDITIONS | UC1524A / UC2524A | | | UC3524A | | | UNITS |
|--------------------------------|---|-------------------|------|------|---------|------|------|-------------------|
| | | MIN | TYP | MAX | MIN | TYP | MAX | |
| Turn-on Characteristics | | | | | | | | |
| Input Voltage | Operating Range after Turn-on | 8 | | 40 | 8 | | 40 | V |
| Turn-on Threshold | | 6.5 | 7.5 | 8.5 | 6.5 | 7.5 | 8.5 | V |
| Turn-on Current | V _{IN} = 6V | | 2.5 | 4 | | 2.5 | 4 | mA |
| Operating Current | V _{IN} = 8 to 40V | | 5 | 10 | | 5 | 10 | mA |
| Turn-on Hysteresis* | | | 0.5 | | | 0.5 | | V |
| Reference Section | | | | | | | | |
| Output Voltage | T _J = 25°C | 4.95 | 5.00 | 5.05 | 4.90 | 5.00 | 5.10 | V |
| | Over Operating Range | 4.9 | | 5.1 | 4.85 | | 5.15 | V |
| Line Regulation | V _{IN} = 10 to 40V | | 10 | 20 | | 10 | 30 | mV |
| Load Regulation | I _L = 0 to 20 mA | | 20 | 25 | | 20 | 35 | mV |
| Temperature Stability* | Over Operating Range* | | 20 | 25 | | 20 | 35 | mV |
| Short Circuit Current | V _{REF} = 0, 25°C ≤ T _J ≤ 125°C | | 80 | 100 | | 80 | 100 | mA |
| Output Noise Voltage* | 10Hz ≤ f ≤ 10kHz, T _J = 25°C | | 40 | | | 40 | | μV _{rms} |
| Long Term Stability* | T _J = 125°C, 1000 Hrs. | | 20 | 50 | | 20 | 50 | mV |

* These parameters are ensured by design but not 100% tested in production.

ELECTRICAL CHARACTERISTICS: Unless otherwise stated, these specifications apply for $T_A = -55^{\circ}\text{C}$ to $+125^{\circ}\text{C}$ for the UC1524A, -40° to $+85^{\circ}\text{C}$ for the UC2524A, and 0°C to $+70^{\circ}\text{C}$ for the UC3524A; $V_{IN} = V_C = 20\text{V}$, $T_A = T_J$.

| PARAMETER | TEST CONDITIONS | UC1524A / UC2524A | | | UC3524A | | | UNITS |
|---|---|-------------------|------|------|---------|------|------|------------------------------|
| | | MIN | TYP | MAX | MIN | TYP | MAX | |
| Oscillator Section (Unless otherwise specified, $R_T = 2700\Omega$, $C_T = 0.01\text{ mfd}$) | | | | | | | | |
| Initial Accuracy | $T_J = 25^{\circ}\text{C}$ | 41 | 43 | 45 | 39 | 43 | 47 | kHz |
| | Over Operating Range | 40.2 | | 45.9 | 38.2 | | 47.9 | kHz |
| Temperature Stability* | Over Operating Temperature Range | | 1 | 2 | | 1 | 2 | % |
| Minimum Frequency | $R_T = 150\text{k}\Omega$, $C_T = 0.1\text{ mfd}$ | | | 140 | | | 120 | Hz |
| Maximum Frequency | $R_T = 2.0\text{k}\Omega$, $C_T = 470\text{pF}$ | 500 | | | 500 | | | kHz |
| Output Amplitude* | | 3 | 3.5 | | 3 | 3.5 | | V |
| Output Pulse Width* | | 0.29 | 0.5 | 1.0 | 0.3 | 0.5 | 1.0 | μs |
| Ramp Peak | | 3.3 | 3.5 | 3.7 | 3.3 | 3.5 | 3.7 | V |
| Ramp Valley | $T_J = 25^{\circ}\text{C}$ | 0.7 | 0.8 | 0.9 | 0.7 | 0.8 | 0.9 | V |
| Ramp Valley T.C. | | | -1.0 | | | -1.0 | | $\text{mV}/^{\circ}\text{C}$ |
| Error Amplifier Section (Unless otherwise specified, $V_{CM} = 2.5\text{V}$) | | | | | | | | |
| Input Offset Voltage | | | 0.5 | 5 | | 2 | 10 | mV |
| Input Bias Current | | | 1 | 5 | | 1 | 10 | μA |
| Input Offset Current | | | .05 | 1 | | 0.5 | 1 | μA |
| Common Mode Rejection Ratio | $V_{CM} = 1.5$ to 5.5V | 70 | 80 | | 70 | 80 | | dB |
| Power Supply Rejection Ratio | $V_{IN} = 10$ to 40V | 70 | 80 | | 70 | 80 | | dB |
| Output Swing (Note 1) | | 5.0 | | 0.5 | 5.0 | | 0.5 | V |
| Open Loop Voltage Gain | $\Delta V_O = 1$ to 4V , $R_L \geq 10\text{M}\Omega$ | 72 | 80 | | 64 | 80 | | dB |
| Gain-Bandwidth* | $T_J = 25^{\circ}\text{C}$, $A_V = 0\text{dB}$ | 1 | 3 | | 1 | 3 | | MHz |
| DC Transconductance*§ | $T_J = 25^{\circ}\text{C}$, $30\text{k}\Omega \leq R_L \leq 1\text{M}\Omega$ | 1.7 | 2.3 | | 1.7 | 2.3 | | mS |
| P.W.M. Comparator ($R_T = 2\text{k}\Omega$, $C_T = 0.01\text{ mfd}$) | | | | | | | | |
| Minimum Duty Cycle | $V_{COMP} = 0.5\text{V}$ | | | 0 | | | 0 | % |
| Maximum Duty Cycle | $V_{COMP} = 3.8\text{V}$ | 45 | | | 45 | | | % |
| Current Limit Amplifier (Unless otherwise specified, $\text{Pin } 5 = 0\text{V}$) | | | | | | | | |
| Input Offset Voltage | $T_J = 25^{\circ}\text{C}$, E/A Set for Maximum Output | 190 | 200 | 210 | 180 | 200 | 220 | mV |
| | Over Operating Temperature Range | 180 | | 220 | 170 | | 230 | mV |
| Input Bias Current | | | -1 | -10 | | -1 | -10 | μA |
| Common Mode Rejection Ratio | $V_{(\text{pin } 5)} = -0.3\text{V}$ to $+5.5\text{V}$ | 50 | 60 | | 50 | 60 | | dB |
| Power Supply Rejection Ratio | $V_{IN} = 10$ to 40V | 50 | 60 | | 50 | 60 | | dB |
| Output Swing (Note 1) | Minimum Total Range | 5.0 | | 0.5 | 5.0 | | 0.5 | V |
| Open-Loop Voltage Gain | $\Delta V_O = 1$ to 4V , $R_L \geq 10\text{M}\Omega$ | 70 | 80 | | 70 | 80 | | dB |
| Delay Time* | $\text{Pin } 4$ to $\text{Pin } 9$, $\Delta V_{IN} = 300\text{mV}$ | | 300 | | | 300 | | ns |
| Output Section (Each Output) | | | | | | | | |
| Collector Emitter Voltage | $I_C = 100\mu\text{A}$ | 60 | 80 | | 60 | 80 | | V |
| Collector Leakage Current | $V_{CE} = 50\text{V}$ | | .1 | 20 | | .1 | 20 | μA |

* These parameters are ensured by design but not 100% tested in production.

§ DC transconductance (g_m) relates to DC open-loop voltage gain according to the following equation: $A_V = g_m R_L$ where R_L is the resistance from pin 9 to the common mode voltage.

The minimum g_m specification is used to calculate minimum A_V when the error amplifier output is loaded.

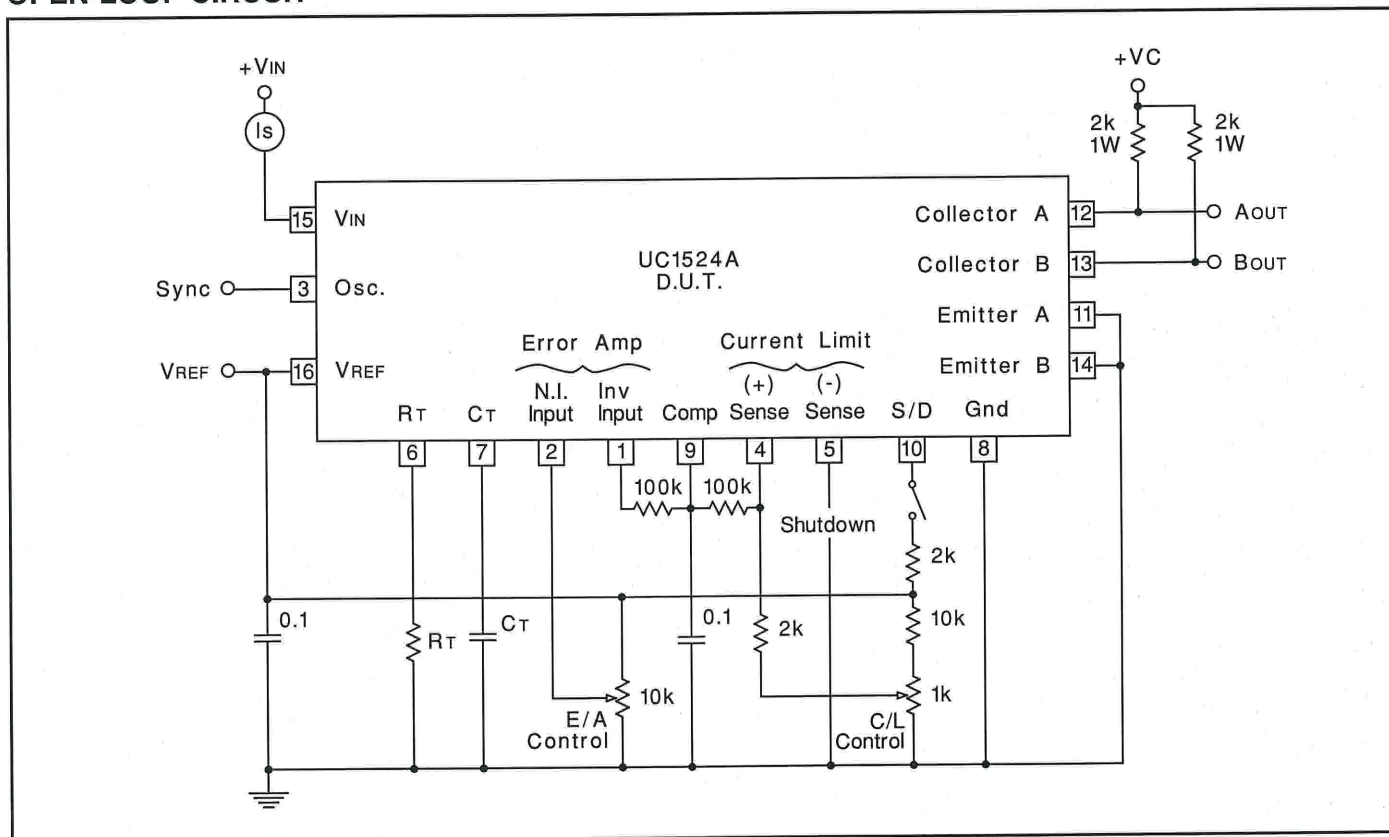
Note 1: Min Limit applies to output high level, max limit applies to output low level.

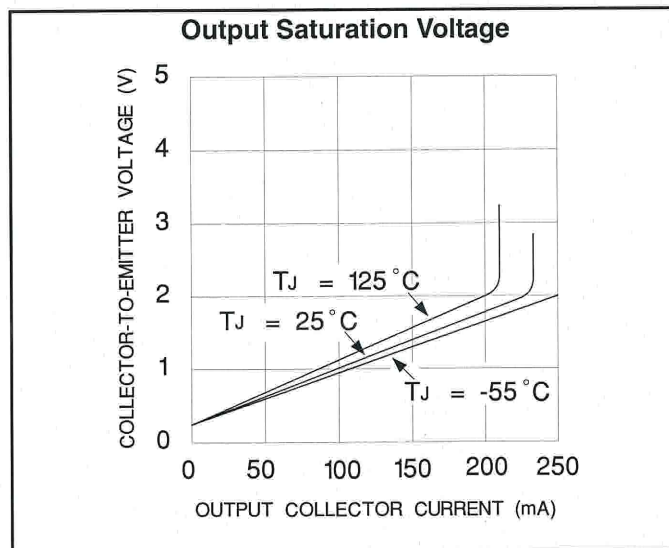
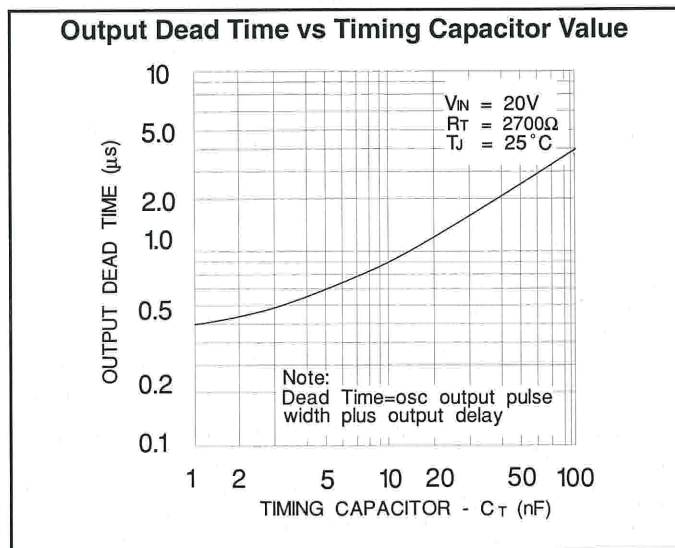
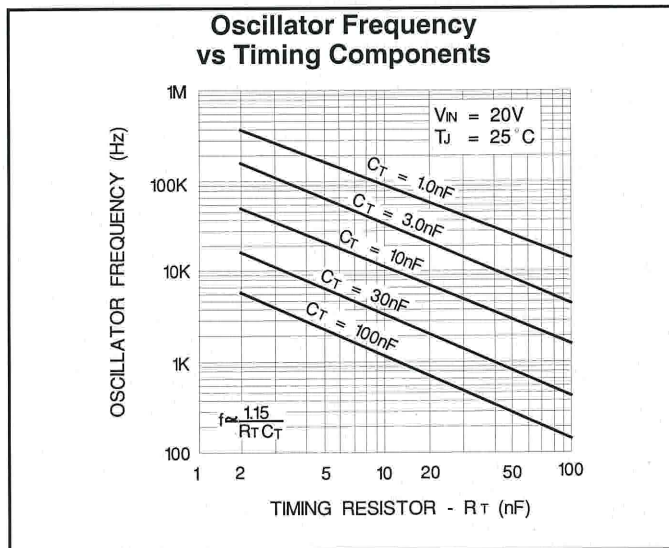
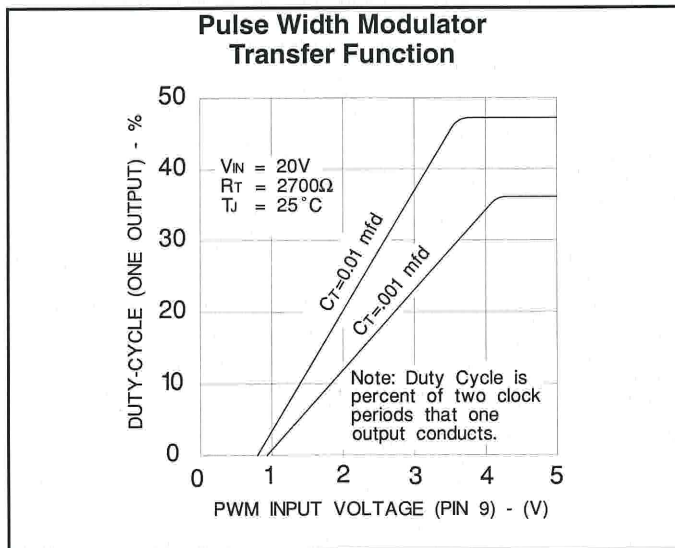
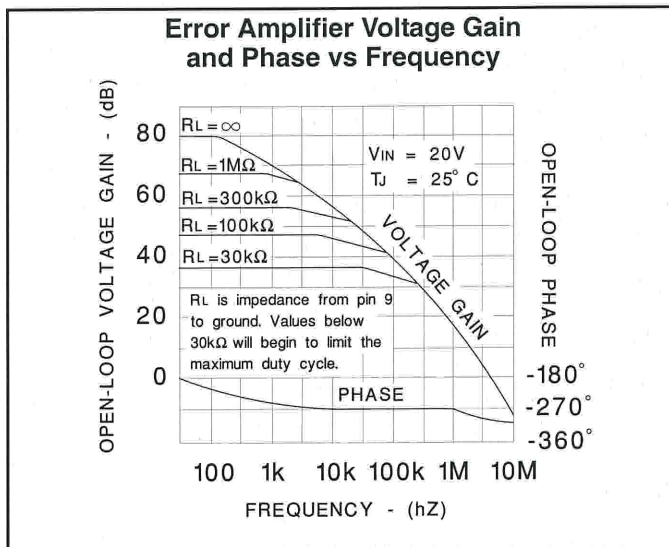
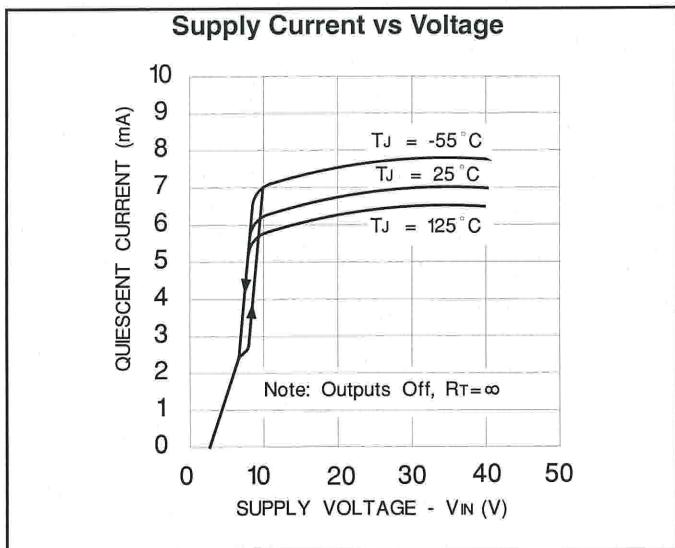
ELECTRICAL CHARACTERISTICS: Unless otherwise stated, these specifications apply for $T_A = -55^{\circ}\text{C}$ to $+125^{\circ}\text{C}$ for the UC1524A, -40° to $+85^{\circ}\text{C}$ for the UC2524A, and 0°C to $+70^{\circ}\text{C}$ for the UC3524A; $V_{IN} = V_C = 20\text{V}$. $T_A = T_J$.

| PARAMETER | TEST CONDITIONS | UC1524A / UC2524A | | | UC3524A | | | UNITS |
|--|--|-------------------|---------|-----------|---------|---------|-----------|--------------------|
| | | MIN | TYP | MAX | MIN | TYP | MAX | |
| Output Section (cont.) (Each Output) | | | | | | | | |
| Saturation Voltage | $I_C = 20\text{mA}$ $I_C = 200\text{mA}$ | | .2 1 | .4 2.2 | | .2 1 | .4 2.2 | V V |
| Emitter Output Voltage | $I_E = 50\text{mA}$ | 17 | 18 | | 17 | 18 | | V |
| Rise Time* | $T_J = 25^{\circ}\text{C}$, $R = 2\text{k}\Omega$ | | 120 | 400 | | 120 | 400 | ns |
| Fall Time* | $T_J = 25^{\circ}\text{C}$, $R = 2\text{k}\Omega$ | | 25 | 200 | | 25 | 200 | ns |
| Comparator Delay* | $T_J = 25^{\circ}\text{C}$, Pin 9 to output | | 300 | | | 300 | | ns |
| Shutdown Delay* | $T_J = 25^{\circ}\text{C}$, Pin 10 to output | | 200 | | | 200 | | ns |
| Shutdown Threshold | $T_J = 25^{\circ}\text{C}$, $R_C = 2\text{k}\Omega$ | 0.6 | .7 | 1.0 | 0.6 | .7 | 1.0 | V |
| S/D Threshold Over Temp. | Over Operating Temperature Range | 0.4 | | 1.2 | 0.4 | | 1.0 | V |
| Thermal Shutdown* | | | 165 | | | 165 | | $^{\circ}\text{C}$ |

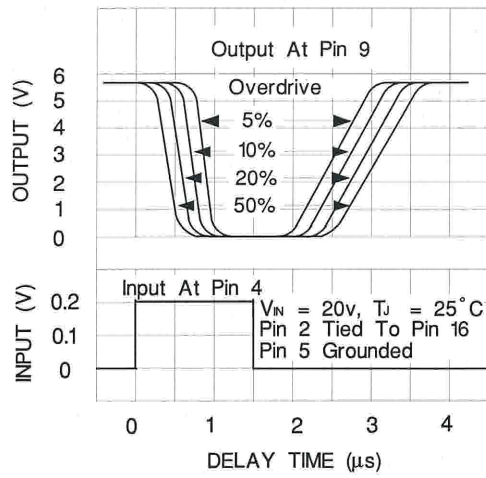
* These parameters are ensured by design but not 100% tested in production.

OPEN-LOOP CIRCUIT

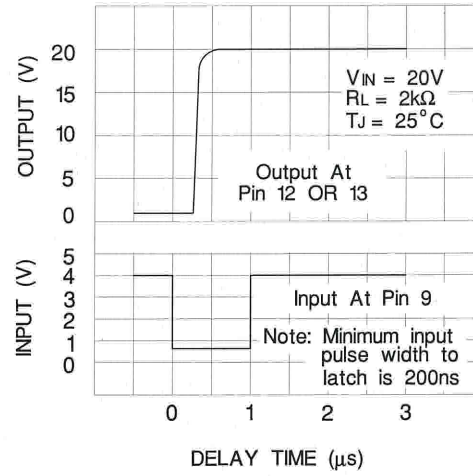




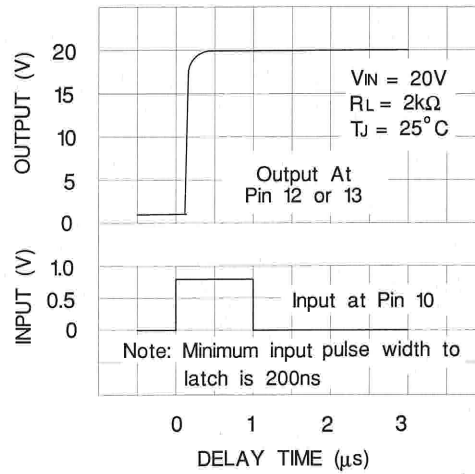
Current Limit Amplifier Delay



Shutdown Delay From PWM Comparator - Pin 9



Turn-Off Delay From Shutdown - Pin 10



PACKAGING INFORMATION

| Orderable Device | Status (1) | Package Type | Package Drawing | Pins | Package Qty | Eco Plan (2) | Lead/Ball Finish (6) | MSL Peak Temp (3) | Op Temp (°C) | Device Marking (4/5) | Samples |
|------------------|---------------|--------------|-----------------|------|-------------|-------------------------|-------------------------|----------------------|--------------|-------------------------|-------------------------|
| 5962-8764502EA | ACTIVE | CDIP | J | 16 | 1 | TBD | A42 | N / A for Pkg Type | -55 to 125 | 5962-8764502EA | Samples |
| UC1524AJ | ACTIVE | CDIP | J | 16 | 1 | TBD | A42 | N / A for Pkg Type | -55 to 125 | UC1524AJ | Samples |
| UC1524AJ883B | ACTIVE | CDIP | J | 16 | 1 | TBD | A42 | N / A for Pkg Type | -55 to 125 | UC1524AJ/883B | Samples |
| UC1524AL | ACTIVE | LCCC | FK | 20 | 1 | TBD | POST-PLATE | N / A for Pkg Type | -55 to 125 | UC1524AL | Samples |
| UC1524AL883B | ACTIVE | LCCC | FK | 20 | 1 | TBD | POST-PLATE | N / A for Pkg Type | -55 to 125 | UC1524AL/ 883B | Samples |
| UC2524ADW | ACTIVE | SOIC | DW | 16 | 40 | Green (RoHS & no Sb/Br) | CU NIPDAU | Level-2-260C-1 YEAR | -40 to 85 | UC2524ADW | Samples |
| UC2524ADWG4 | ACTIVE | SOIC | DW | 16 | 40 | Green (RoHS & no Sb/Br) | CU NIPDAU | Level-2-260C-1 YEAR | -40 to 85 | UC2524ADW | Samples |
| UC2524ADWTR | ACTIVE | SOIC | DW | 16 | 2000 | Green (RoHS & no Sb/Br) | CU NIPDAU | Level-2-260C-1 YEAR | -40 to 85 | UC2524ADW | Samples |
| UC2524AJ | ACTIVE | CDIP | J | 16 | 1 | TBD | A42 | N / A for Pkg Type | -40 to 85 | UC2524AJ | Samples |
| UC2524AN | ACTIVE | PDIP | N | 16 | 25 | Green (RoHS & no Sb/Br) | CU NIPDAU Call TI | N / A for Pkg Type | -40 to 85 | UC2524AN | Samples |
| UC3524ADW | ACTIVE | SOIC | DW | 16 | 40 | Green (RoHS & no Sb/Br) | CU NIPDAU | Level-2-260C-1 YEAR | 0 to 70 | UC3524ADW | Samples |
| UC3524ADWTR | ACTIVE | SOIC | DW | 16 | 2000 | Green (RoHS & no Sb/Br) | CU NIPDAU | Level-2-260C-1 YEAR | 0 to 70 | UC3524ADW | Samples |
| UC3524AJ | ACTIVE | CDIP | J | 16 | 1 | TBD | A42 | N / A for Pkg Type | 0 to 70 | UC3524AJ | Samples |
| UC3524AN | ACTIVE | PDIP | N | 16 | 25 | Green (RoHS & no Sb/Br) | CU NIPDAU Call TI | N / A for Pkg Type | 0 to 70 | UC3524AN | Samples |
| UC3524ANG4 | ACTIVE | PDIP | N | 16 | 25 | Green (RoHS & no Sb/Br) | Call TI | N / A for Pkg Type | 0 to 70 | UC3524AN | Samples |

(1) The marketing status values are defined as follows:

ACTIVE: Product device recommended for new designs.

LIFEBUY: TI has announced that the device will be discontinued, and a lifetime-buy period is in effect.

NRND: Not recommended for new designs. Device is in production to support existing customers, but TI does not recommend using this part in a new design.

PREVIEW: Device has been announced but is not in production. Samples may or may not be available.

OBSELETE: TI has discontinued the production of the device.

(2) **RoHS:** TI defines "RoHS" to mean semiconductor products that are compliant with the current EU RoHS requirements for all 10 RoHS substances, including the requirement that RoHS substance do not exceed 0.1% by weight in homogeneous materials. Where designed to be soldered at high temperatures, "RoHS" products are suitable for use in specified lead-free processes. TI may reference these types of products as "Pb-Free".

RoHS Exempt: TI defines "RoHS Exempt" to mean products that contain lead but are compliant with EU RoHS pursuant to a specific EU RoHS exemption.

Green: TI defines "Green" to mean the content of Chlorine (Cl) and Bromine (Br) based flame retardants meet JS709B low halogen requirements of ≤ 1000 ppm threshold. Antimony trioxide based flame retardants must also meet the ≤ 1000 ppm threshold requirement.

(3) **MSL, Peak Temp.** - The Moisture Sensitivity Level rating according to the JEDEC industry standard classifications, and peak solder temperature.

(4) There may be additional marking, which relates to the logo, the lot trace code information, or the environmental category on the device.

(5) Multiple Device Markings will be inside parentheses. Only one Device Marking contained in parentheses and separated by a "-" will appear on a device. If a line is indented then it is a continuation of the previous line and the two combined represent the entire Device Marking for that device.

(6) **Lead/Ball Finish** - Orderable Devices may have multiple material finish options. Finish options are separated by a vertical ruled line. Lead/Ball Finish values may wrap to two lines if the finish value exceeds the maximum column width.

Important Information and Disclaimer: The information provided on this page represents TI's knowledge and belief as of the date that it is provided. TI bases its knowledge and belief on information provided by third parties, and makes no representation or warranty as to the accuracy of such information. Efforts are underway to better integrate information from third parties. TI has taken and continues to take reasonable steps to provide representative and accurate information but may not have conducted destructive testing or chemical analysis on incoming materials and chemicals. TI and TI suppliers consider certain information to be proprietary, and thus CAS numbers and other limited information may not be available for release.

In no event shall TI's liability arising out of such information exceed the total purchase price of the TI part(s) at issue in this document sold by TI to Customer on an annual basis.

OTHER QUALIFIED VERSIONS OF UC1524A, UC2524A, UC2524AM, UC3524A, UC3524AM :

● Catalog: [UC3524A](#), [UC2524A](#), [UC3524AM](#), [UC3524A](#)

● Military: [UC2524AM](#), [UC1524A](#), [UC1524A](#)

NOTE: Qualified Version Definitions:

● Catalog - TI's standard catalog product

● Military - QML certified for Military and Defense Applications

TAPE AND REEL INFORMATION



QUADRANT ASSIGNMENTS FOR PIN 1 ORIENTATION IN TAPE



*All dimensions are nominal

| Device | Package Type | Package Drawing | Pins | SPQ | Reel Diameter (mm) | Reel Width W1 (mm) | A0 (mm) | B0 (mm) | K0 (mm) | P1 (mm) | W (mm) | Pin1 Quadrant |
|-------------|--------------|-----------------|------|------|--------------------|--------------------|---------|---------|---------|---------|--------|---------------|
| UC2524ADWTR | SOIC | DW | 16 | 2000 | 330.0 | 16.4 | 10.75 | 10.7 | 2.7 | 12.0 | 16.0 | Q1 |
| UC3524ADWTR | SOIC | DW | 16 | 2000 | 330.0 | 16.4 | 10.75 | 10.7 | 2.7 | 12.0 | 16.0 | Q1 |

TAPE AND REEL BOX DIMENSIONS


*All dimensions are nominal

| Device | Package Type | Package Drawing | Pins | SPQ | Length (mm) | Width (mm) | Height (mm) |
|-------------|--------------|-----------------|------|------|-------------|------------|-------------|
| UC2524ADWTR | SOIC | DW | 16 | 2000 | 367.0 | 367.0 | 38.0 |
| UC3524ADWTR | SOIC | DW | 16 | 2000 | 367.0 | 367.0 | 38.0 |

FK (S-CQCC-N**)

LEADLESS CERAMIC CHIP CARRIER

28 TERMINAL SHOWN



| NO. OF TERMINALS ** | A | | B | |
|---------------------|------------------|------------------|------------------|------------------|
| | MIN | MAX | MIN | MAX |
| 20 | 0.342 (8,69) | 0.358 (9,09) | 0.307 (7,80) | 0.358 (9,09) |
| 28 | 0.442 (11,23) | 0.458 (11,63) | 0.406 (10,31) | 0.458 (11,63) |
| 44 | 0.640 (16,26) | 0.660 (16,76) | 0.495 (12,58) | 0.560 (14,22) |
| 52 | 0.740 (18,78) | 0.761 (19,32) | 0.495 (12,58) | 0.560 (14,22) |
| 68 | 0.938 (23,83) | 0.962 (24,43) | 0.850 (21,6) | 0.858 (21,8) |
| 84 | 1.141 (28,99) | 1.165 (29,59) | 1.047 (26,6) | 1.063 (27,0) |



4040140/D 01/11

- NOTES:
- All linear dimensions are in inches (millimeters).
 - This drawing is subject to change without notice.
 - This package can be hermetically sealed with a metal lid.
 - Falls within JEDEC MS-004

J (R-GDIP-T**)

14 LEADS SHOWN

CERAMIC DUAL IN-LINE PACKAGE



| DIM \ PINS ** | 14 | 16 | 18 | 20 |
|---------------|------------------------|------------------------|------------------------|------------------------|
| A | 0.300 (7,62) BSC | 0.300 (7,62) BSC | 0.300 (7,62) BSC | 0.300 (7,62) BSC |
| B MAX | 0.785 (19,94) | .840 (21,34) | 0.960 (24,38) | 1.060 (26,92) |
| B MIN | — | — | — | — |
| C MAX | 0.300 (7,62) | 0.300 (7,62) | 0.310 (7,87) | 0.300 (7,62) |
| C MIN | 0.245 (6,22) | 0.245 (6,22) | 0.220 (5,59) | 0.245 (6,22) |



4040083/F 03/03

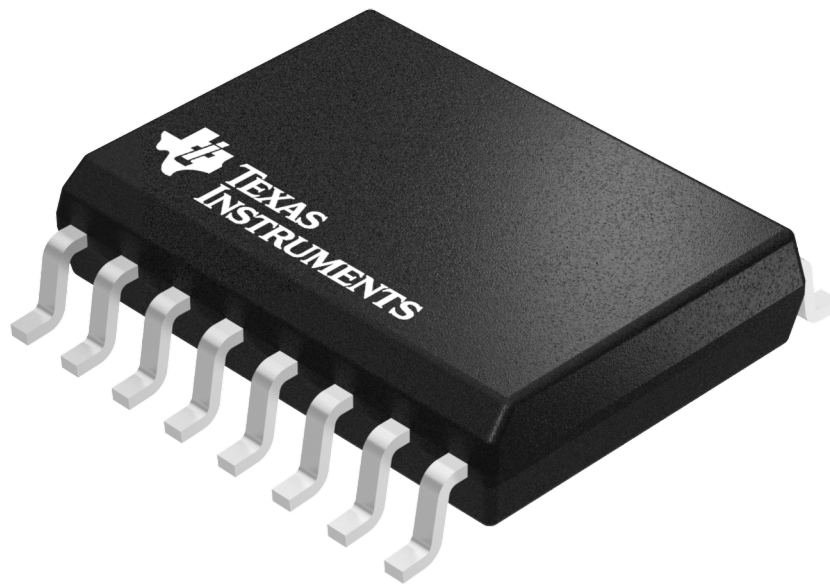
- NOTES:
- All linear dimensions are in inches (millimeters).
 - This drawing is subject to change without notice.
 - This package is hermetically sealed with a ceramic lid using glass frit.
 - Index point is provided on cap for terminal identification only on press ceramic glass frit seal only.
 - Falls within MIL STD 1835 GDIP1-T14, GDIP1-T16, GDIP1-T18 and GDIP1-T20.

GENERIC PACKAGE VIEW

DW 16

SOIC - 2.65 mm max height

SMALL OUTLINE INTEGRATED CIRCUIT



Images above are just a representation of the package family, actual package may vary.
Refer to the product data sheet for package details.

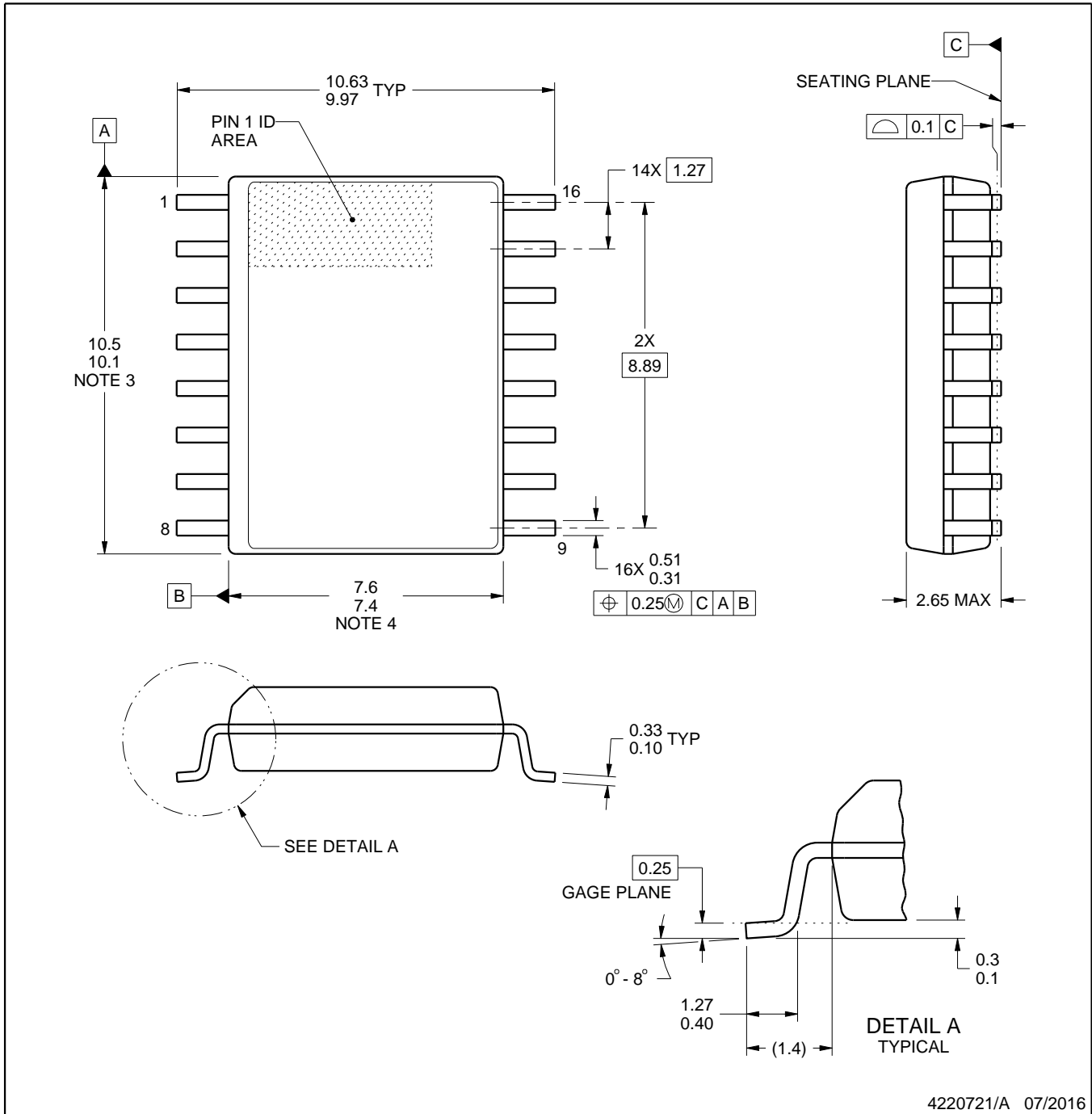
4040000-2/H



DW0016A

PACKAGE OUTLINE SOIC - 2.65 mm max height

SOIC



4220721/A 07/2016

NOTES:

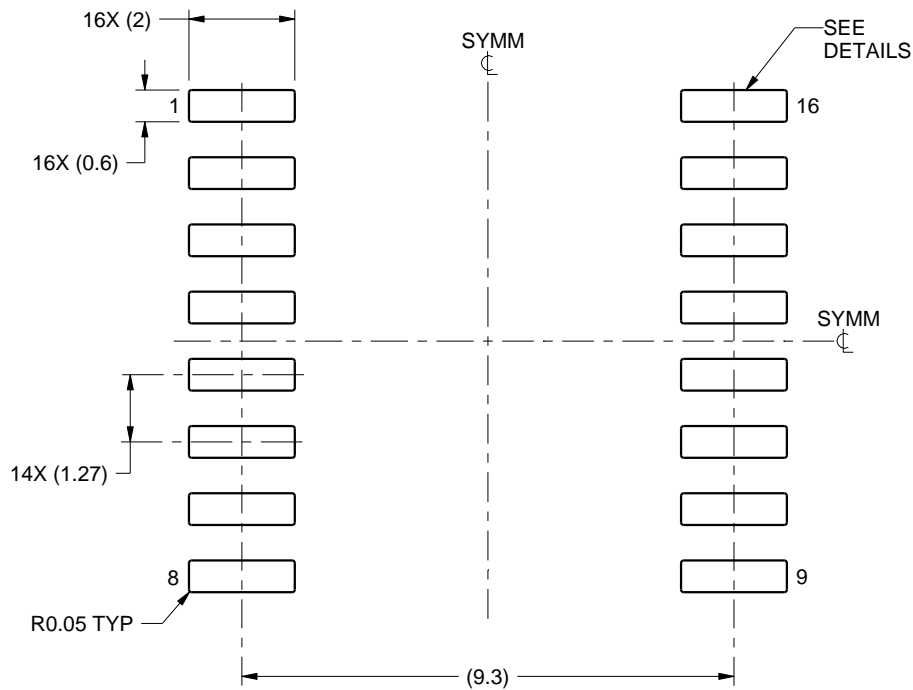
1. All linear dimensions are in millimeters. Dimensions in parenthesis are for reference only. Dimensioning and tolerancing per ASME Y14.5M.
2. This drawing is subject to change without notice.
3. This dimension does not include mold flash, protrusions, or gate burrs. Mold flash, protrusions, or gate burrs shall not exceed 0.15 mm, per side.
4. This dimension does not include interlead flash. Interlead flash shall not exceed 0.25 mm, per side.
5. Reference JEDEC registration MS-013.

EXAMPLE BOARD LAYOUT

DW0016A

SOIC - 2.65 mm max height

SOIC



LAND PATTERN EXAMPLE
SCALE:7X



SOLDER MASK DETAILS

4220721/A 07/2016

NOTES: (continued)

6. Publication IPC-7351 may have alternate designs.

7. Solder mask tolerances between and around signal pads can vary based on board fabrication site.

EXAMPLE STENCIL DESIGN

DW0016A

SOIC - 2.65 mm max height

SOIC



SOLDER PASTE EXAMPLE
BASED ON 0.125 mm THICK STENCIL
SCALE:7X

4220721/A 07/2016

NOTES: (continued)

8. Laser cutting apertures with trapezoidal walls and rounded corners may offer better paste release. IPC-7525 may have alternate design recommendations.
9. Board assembly site may have different recommendations for stencil design.

N (R-PDIP-T**)

PLASTIC DUAL-IN-LINE PACKAGE

16 PINS SHOWN



- NOTES:
- A. All linear dimensions are in inches (millimeters).
 - B. This drawing is subject to change without notice.
 - Falls within JEDEC MS-001, except 18 and 20 pin minimum body length (Dim A).
 - The 20 pin end lead shoulder width is a vendor option, either half or full width.

IMPORTANT NOTICE AND DISCLAIMER

TI PROVIDES TECHNICAL AND RELIABILITY DATA (INCLUDING DATASHEETS), DESIGN RESOURCES (INCLUDING REFERENCE DESIGNS), APPLICATION OR OTHER DESIGN ADVICE, WEB TOOLS, SAFETY INFORMATION, AND OTHER RESOURCES "AS IS" AND WITH ALL FAULTS, AND DISCLAIMS ALL WARRANTIES, EXPRESS AND IMPLIED, INCLUDING WITHOUT LIMITATION ANY IMPLIED WARRANTIES OF MERCHANTABILITY, FITNESS FOR A PARTICULAR PURPOSE OR NON-INFRINGEMENT OF THIRD PARTY INTELLECTUAL PROPERTY RIGHTS.

These resources are intended for skilled developers designing with TI products. You are solely responsible for (1) selecting the appropriate TI products for your application, (2) designing, validating and testing your application, and (3) ensuring your application meets applicable standards, and any other safety, security, or other requirements. These resources are subject to change without notice. TI grants you permission to use these resources only for development of an application that uses the TI products described in the resource. Other reproduction and display of these resources is prohibited. No license is granted to any other TI intellectual property right or to any third party intellectual property right. TI disclaims responsibility for, and you will fully indemnify TI and its representatives against, any claims, damages, costs, losses, and liabilities arising out of your use of these resources.

TI's products are provided subject to TI's Terms of Sale (www.ti.com/legal/termsofsale.html) or other applicable terms available either on ti.com or provided in conjunction with such TI products. TI's provision of these resources does not expand or otherwise alter TI's applicable warranties or warranty disclaimers for TI products.

Mailing Address: Texas Instruments, Post Office Box 655303, Dallas, Texas 75265
Copyright © 2018, Texas Instruments Incorporated