

## Features

- 80C51 Core Architecture
- 256 Bytes of On-chip RAM
- 1 KB of On-chip XRAM
- 32 KB of On-chip Flash Memory
  - Data Retention: 10 Years at 85°C
  - Read/Write Cycle: 10K
- 2 KB of On-chip Flash for Bootloader
- 2 KB of On-chip EEPROM
  - Read/Write Cycle: 100K
- 14-sources 4-level Interrupts
- Three 16-bit Timers/Counters
- Full Duplex UART Compatible 80C51
- Maximum Crystal Frequency 40 MHz, in X2 Mode, 20 MHz (CPU Core, 20 MHz)
- Five Ports: 32 + 2 Digital I/O Lines
- Five-channel 16-bit PCA with:
  - PWM (8-bit)
  - High-speed Output
  - Timer and Edge Capture
- Double Data Pointer
- 21-bit Watchdog Timer (7 Programmable Bits)
- 10-bit Resolution Analog to Digital Converter (ADC) with 8 Multiplexed Inputs
- On-chip Emulation Logic (Enhanced Hook System)
- Power Saving Modes:
  - Idle Mode
  - Power-down Mode
- Power Supply: 3V to 5.5V
- Temperature Range: Industrial (-40° to +85°C)
- Packages: VQFP44, PLCC44

## Description

The A/T89C51AC2 is a high performance Flash version of the 80C51 single chip 8-bit microcontrollers. It contains a 32 KB Flash memory block for program and data.

The 32 KB Flash memory can be programmed either in parallel mode or in serial mode with the ISP capability or with software. The programming voltage is internally generated from the standard VCC pin.

The A/T89C51AC2 retains all features of the 80C51 with 256 bytes of internal RAM, a 7-source 4-level interrupt controller and three timer/counters. In addition, the A/T89C51AC2 has a 10-bit A/D converter, a 2 KB Boot Flash memory, 2 KB EEPROM for data, a Programmable Counter Array, an XRAM of 1024 bytes, a Hardware Watch-Dog Timer, and a more versatile serial channel that facilitates multiprocessor communication (EUART). The fully static design of the A/T89C51AC2 reduces system power consumption by bringing the clock frequency down to any value, even DC, without loss of data.

The A/T89C51AC2 has two software-selectable modes of reduced activity and an 8-bit clock prescaler for further reduction in power consumption. In the idle mode the CPU is frozen while the peripherals and the interrupt system are still operating. In the Power-down mode the RAM is saved and all other functions are inoperative.

The added features of the A/T89C51AC2 make it more powerful for applications that need A/D conversion, pulse width modulation, high speed I/O and counting capabilities such as industrial control, consumer goods, alarms, motor control, among others. While remaining fully compatible with the 80C52, the T8C51AC2 offers a superset of this standard microcontroller. In X2 mode, a maximum external clock rate of 20 MHz reaches a 300 ns cycle time.



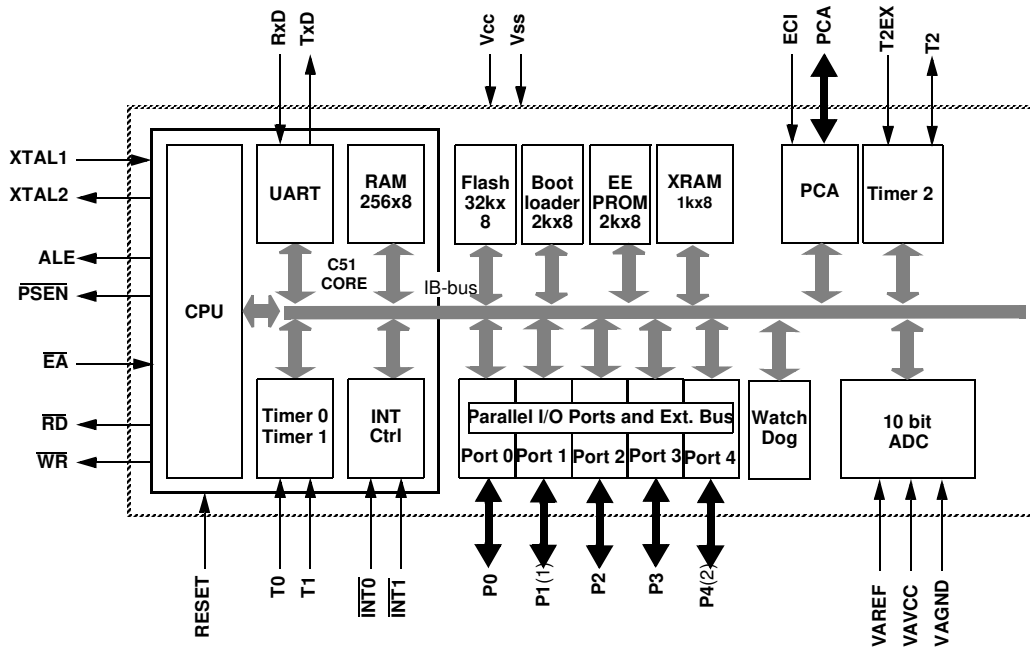
## Enhanced 8-bit Microcontroller with 32 KB Flash Memory

**AT89C51AC2**  
**T89C51AC2**

Rev. 4127H-8051-02/08

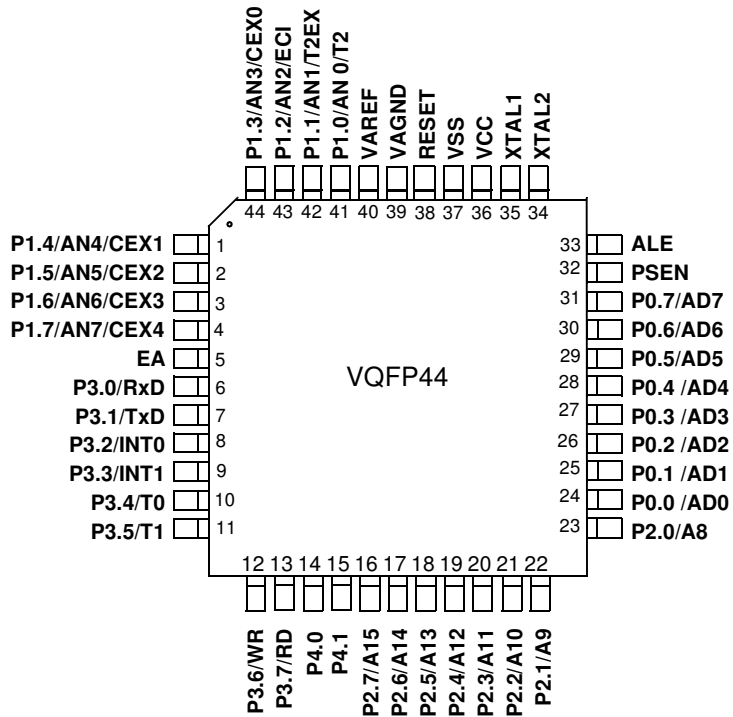
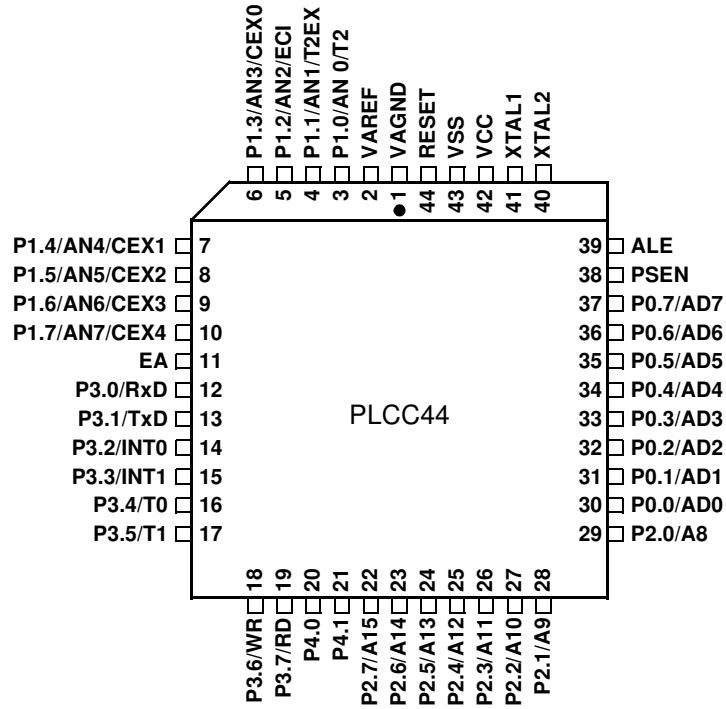


# Block Diagram



- Notes:
1. 8 analog Inputs/8 Digital I/O
  2. 2-Bit I/O Port

Pin Configuration



**Table 1. Pin Description**

| Pin Name | Type | Description  |
|----------|------|--|
| VSS      | GND  | <b>Circuit ground</b>  |
| VCC      |      | <b>Supply Voltage</b>  |
| VAREF    |      | Reference Voltage for ADC  |
| VAGND    |      | Reference Ground for ADC   |
| P0.0:7   | I/O  | <p><b>Port 0:</b><br/>Is an 8-bit open drain bi-directional I/O port. Port 0 pins that have 1's written to them float, and in this state can be used as high-impedance inputs. Port 0 is also the multiplexed low-order address and data bus during accesses to external Program and Data Memory. In this application it uses strong internal pull-ups when emitting 1's.<br/>Port 0 also outputs the code Bytes during program validation. External pull-ups are required during program verification.</p>  |
| P1.0:7   | I/O  | <p><b>Port 1:</b><br/>Is an 8-bit bi-directional I/O port with internal pull-ups. Port 1 pins can be used for digital input/output or as analog inputs for the Analog Digital Converter (ADC). Port 1 pins that have 1's written to them are pulled high by the internal pull-up transistors and can be used as inputs in this state. As inputs, Port 1 pins that are being pulled low externally will be the source of current (<math>I_{IL}</math>, see section "Electrical Characteristic") because of the internal pull-ups. Port 1 pins are assigned to be used as analog inputs via the ADCCF register (in this case the internal pull-ups are disconnected).<br/>As a secondary digital function, port 1 contains the Timer 2 external trigger and clock input; the PCA external clock input and the PCA module I/O.</p> <p>P1.0/AN0/T2<br/>Analog input channel 0,<br/>External clock input for Timer/counter2.</p> <p>P1.1/AN1/T2EX<br/>Analog input channel 1,<br/>Trigger input for Timer/counter2.</p> <p>P1.2/AN2/ECI<br/>Analog input channel 2,<br/>PCA external clock input.</p> <p>P1.3/AN3/CEX0<br/>Analog input channel 3,<br/>PCA module 0 Entry of input/PWM output.</p> <p>P1.4/AN4/CEX1<br/>Analog input channel 4,<br/>PCA module 1 Entry of input/PWM output.</p> <p>P1.5/AN5/CEX2<br/>Analog input channel 5,<br/>PCA module 2 Entry of input/PWM output.</p> <p>P1.6/AN6/CEX3<br/>Analog input channel 6,<br/>PCA module 3 Entry of input/PWM output.</p> <p>P1.7/AN7/CEX4<br/>Analog input channel 7,<br/>PCA module 4 Entry of input/PWM output.</p> <p>Port 1 receives the low-order address byte during EPROM programming and program verification.<br/>It can drive CMOS inputs without external pull-ups.</p> |
| P2.0:7   | I/O  | <p><b>Port 2:</b><br/>Is an 8-bit bi-directional I/O port with internal pull-ups. Port 2 pins that have 1's written to them are pulled high by the internal pull-ups and can be used as inputs in this state. As inputs, Port 2 pins that are being pulled low externally will be a source of current (<math>I_{IL}</math>, see section "Electrical Characteristic") because of the internal pull-ups. Port 2 emits the high-order address byte during accesses to the external Program Memory and during accesses to external Data Memory that uses 16-bit addresses (MOVX @DPTR). In this application, it uses strong internal pull-ups when emitting 1's. During accesses to external Data Memory that use 8 bit addresses (MOVX @Ri), Port 2 transmits the contents of the P2 special function register.<br/>It also receives high-order addresses and control signals during program validation.<br/>It can drive CMOS inputs without external pull-ups.</p>  |

Table 1. Pin Description (Continued)

| Pin Name | Type | Description   |
|----------|------|---|
| P3.0:7   | I/O  | <p><b>Port 3:</b><br/>Is an 8-bit bi-directional I/O port with internal pull-ups. Port 3 pins that have 1's written to them are pulled high by the internal pull-up transistors and can be used as inputs in this state. As inputs, Port 3 pins that are being pulled low externally will be a source of current (<math>I_{IL}</math>, see section "Electrical Characteristic") because of the internal pull-ups.<br/>The output latch corresponding to a secondary function must be programmed to one for that function to operate (except for TxD and WR). The secondary functions are assigned to the pins of port 3 as follows:</p> <p>P3.0/RxD:<br/>Receiver data input (asynchronous) or data input/output (synchronous) of the serial interface</p> <p>P3.1/TxD:<br/>Transmitter data output (asynchronous) or clock output (synchronous) of the serial interface</p> <p>P3.2/INT0:<br/>External interrupt 0 input/timer 0 gate control input</p> <p>P3.3/INT1:<br/>External interrupt 1 input/timer 1 gate control input</p> <p>P3.4/T0:<br/>Timer 0 counter input</p> <p>P3.5/T1:<br/>Timer 1 counter input</p> <p>P3.6/WR:<br/>External Data Memory write strobe; latches the data byte from port 0 into the external data memory</p> <p>P3.7/RD:<br/>External Data Memory read strobe; Enables the external data memory.<br/>It can drive CMOS inputs without external pull-ups.</p> |
| P4.0:1   | I/O  | <p><b>Port 4:</b><br/>Is an 2-bit bi-directional I/O port with internal pull-ups. Port 4 pins that have 1's written to them are pulled high by the internal pull-ups and can be used as inputs in this state. As inputs, Port 4 pins that are being pulled low externally will be a source of current (<math>I_{IL}</math>, on the datasheet) because of the internal pull-up transistor.</p> <p>P4.0<br/>P4.1:<br/>It can drive CMOS inputs without external pull-ups.</p>   |
| RESET    | I/O  | <p><b>Reset:</b><br/>A high level on this pin during two machine cycles while the oscillator is running resets the device. An internal pull-down resistor to VSS permits power-on reset using only an external capacitor to VCC.</p>  |
| ALE      | O    | <p><b>ALE:</b><br/>An Address Latch Enable output for latching the low byte of the address during accesses to the external memory. The ALE is activated every 1/6 oscillator periods (1/3 in X2 mode) except during an external data memory access. When instructions are executed from an internal Flash (<math>\overline{EA} = 1</math>), ALE generation can be disabled by the software.</p>   |
| PSEN     | O    | <p><b>PSEN:</b><br/>The Program Store Enable output is a control signal that enables the external program memory of the bus during external fetch operations. It is activated twice each machine cycle during fetches from the external program memory. However, when executing from of the external program memory two activations of PSEN are skipped during each access to the external Data memory. The PSEN is not activated for internal fetches.</p>   |
| EA       | I    | <p><b><math>\overline{EA}</math>:</b><br/>When External Access is held at the high level, instructions are fetched from the internal Flash when the program counter is less then 8000H. When held at the low level, A/T89C51AC2 fetches all instructions from the external program memory.</p>  |
| XTAL1    | I    | <p><b>XTAL1:</b><br/>Input of the inverting oscillator amplifier and input of the internal clock generator circuits.<br/>To drive the device from an external clock source, XTAL1 should be driven, while XTAL2 is left unconnected. To operate above a frequency of 16 MHz, a duty cycle of 50% should be maintained.</p>  |
| XTAL2    | O    | <p><b>XTAL2:</b><br/>Output from the inverting oscillator amplifier.</p>  |

## I/O Configurations

Each Port SFR operates via type-D latches, as illustrated in Figure 1 for Ports 3 and 4. A CPU "write to latch" signal initiates transfer of internal bus data into the type-D latch. A CPU "read latch" signal transfers the latched Q output onto the internal bus. Similarly, a "read pin" signal transfers the logical level of the Port pin. Some Port data instructions activate the "read latch" signal while others activate the "read pin" signal. Latch instructions are referred to as Read-Modify-Write instructions. Each I/O line may be independently programmed as input or output.

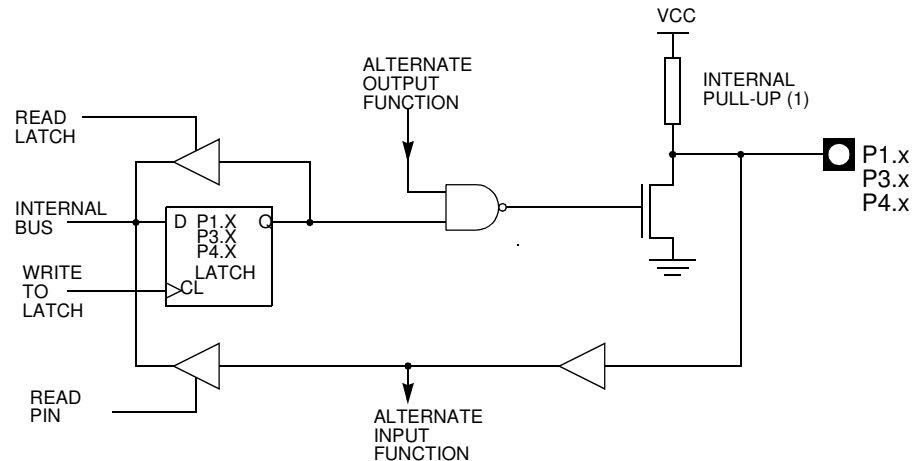
### Port 1, Port 3 and Port 4

Figure 1 shows the structure of Ports 1 and 3, which have internal pull-ups. An external source can pull the pin low. Each Port pin can be configured either for general-purpose I/O or for its alternate input output function.

To use a pin for general-purpose output, set or clear the corresponding bit in the Px register (x = 1,3 or 4). To use a pin for general-purpose input, set the bit in the Px register. This turns off the output FET drive.

To configure a pin for its alternate function, set the bit in the Px register. When the latch is set, the "alternate output function" signal controls the output level (see Figure 1). The operation of Ports 1, 3 and 4 is discussed further in the "quasi-Bidirectional Port Operation" section.

**Figure 1.** Port 1, Port 3 and Port 4 Structure



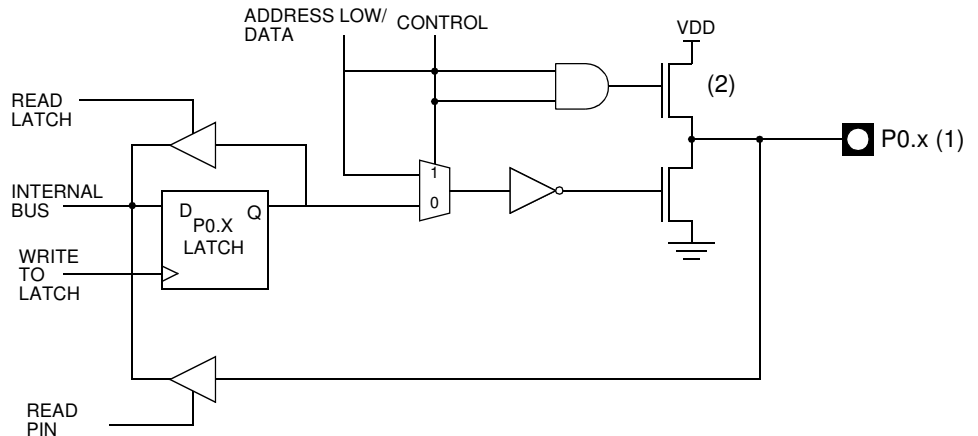
Note: The internal pull-up can be disabled on P1 when analog function is selected.

### Port 0 and Port 2

Ports 0 and 2 are used for general-purpose I/O or as the external address/data bus. Port 0, shown in Figure 3, differs from the other Ports in not having internal pull-ups. Figure 3 shows the structure of Port 2. An external source can pull a Port 2 pin low.

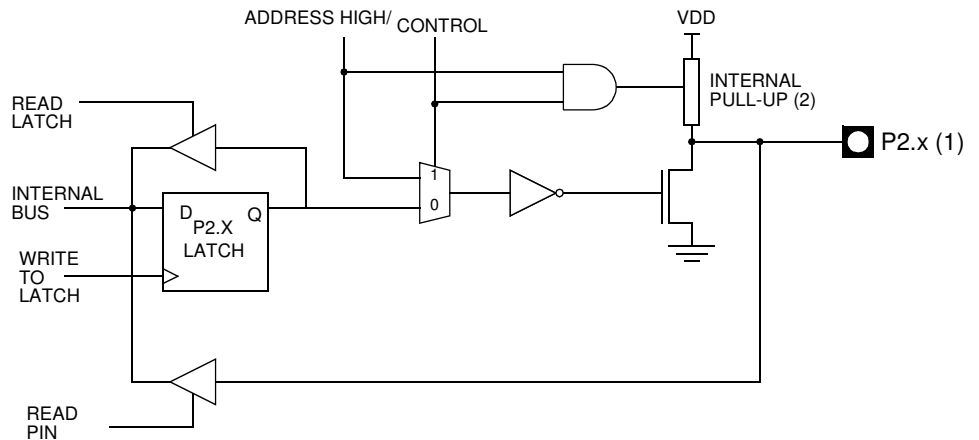
To use a pin for general-purpose output, set or clear the corresponding bit in the Px register (x = 0 or 2). To use a pin for general-purpose input, set the bit in the Px register to turn off the output driver FET.

**Figure 2. Port 0 Structure**



- Notes:
1. Port 0 is precluded from use as general-purpose I/O Ports when used as address/data bus drivers.
  2. Port 0 internal strong pull-ups assist the logic-one output for memory bus cycles only. Except for these bus cycles, the pull-up FET is off, Port 0 outputs are open-drain.

**Figure 3. Port 2 Structure**



- Notes:
1. Port 2 is precluded from use as general-purpose I/O Ports when as address/data bus drivers.
  2. Port 2 internal strong pull-ups FET (P1 in FIGURE) assist the logic-one output for memory bus cycle.

When Port 0 and Port 2 are used for an external memory cycle, an internal control signal switches the output-driver input from the latch output to the internal address/data line.

## Read-Modify-Write Instructions

Some instructions read the latch data rather than the pin data. The latch based instructions read the data, modify the data and then rewrite the latch. These are called "Read-Modify-Write" instructions. Below is a complete list of these special instructions (see Table ). When the destination operand is a Port or a Port bit, these instructions read the latch rather than the pin:

**Table 2.** Read-Modify-Write Instructions

| Instruction | Description                       | Example         |
|-------------|-----------------------------------|-----------------|
| ANL         | logical AND                       | ANL P1, A       |
| ORL         | logical OR                        | ORL P2, A       |
| XRL         | logical EX-OR                     | XRL P3, A       |
| JBC         | jump if bit = 1 and clear bit     | JBC P1.1, LABEL |
| CPL         | complement bit                    | CPL P3.0        |
| INC         | increment                         | INC P2          |
| DEC         | decrement                         | DEC P2          |
| DJNZ        | decrement and jump if not zero    | DJNZ P3, LABEL  |
| MOV Px.y, C | move carry bit to bit y of Port x | MOV P1.5, C     |
| CLR Px.y    | clear bit y of Port x             | CLR P2.4        |
| SET Px.y    | set bit y of Port x               | SET P3.3        |

It is not obvious the last three instructions in this list are Read-Modify-Write instructions. These instructions read the port (all 8 bits), modify the specifically addressed bit and write the new byte back to the latch. These Read-Modify-Write instructions are directed to the latch rather than the pin in order to avoid possible misinterpretation of voltage (and therefore, logic) levels at the pin. For example, a Port bit used to drive the base of an external bipolar transistor can not rise above the transistor's base-emitter junction voltage (a value lower than VIL). With a logic one written to the bit, attempts by the CPU to read the Port at the pin are misinterpreted as logic zero. A read of the latch rather than the pins returns the correct logic-one value.

## Quasi-Bidirectional Port Operation

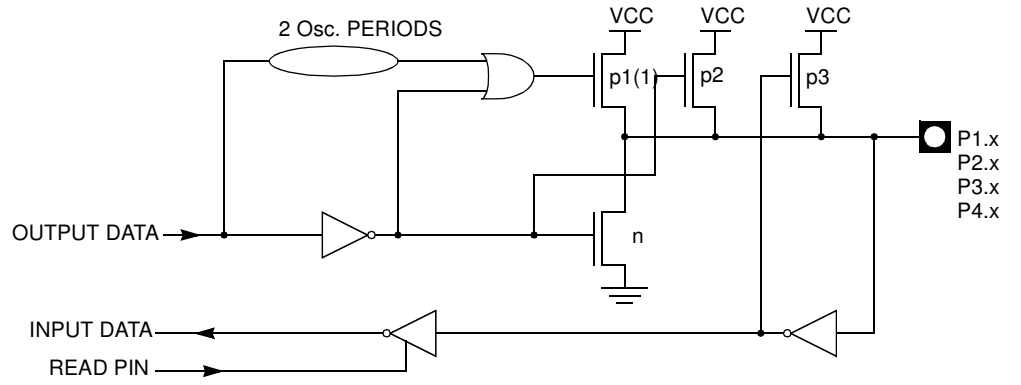
Port 1, Port 2, Port 3 and Port 4 have fixed internal pull-ups and are referred to as "quasi-bidirectional" Ports. When configured as an input, the pin impedance appears as logic one and sources current in response to an external logic zero condition. Port 0 is a "true bidirectional" pin. The pins float when configured as input. Resets write logic one to all Port latches. If logical zero is subsequently written to a Port latch, it can be returned to input conditions by a logical one written to the latch.

Note: Port latch values change near the end of Read-Modify-Write instruction cycles. Output buffers (and therefore the pin state) update early in the instruction after Read-Modify-Write instruction cycle.

Logical zero-to-one transitions in Port 1, Port 2, Port 3 and Port 4 use an additional pull-up (p1) to aid this logic transition (see Figure 4.). This increases switch speed. This extra pull-up sources 100 times normal internal circuit current during 2 oscillator clock periods. The internal pull-ups are field-effect transistors rather than linear resistors. Pull-ups consist of three p-channel FET (pFET) devices. A pFET is on when the gate senses logical zero and off when the gate senses logical one. pFET #1 is turned on for two oscillator periods immediately after a zero-to-one transition in the Port latch. A logical one at the Port pin turns on pFET #3 (a weak pull-up) through the inverter. This inverter and pFET pair form a latch to drive logical one. pFET #2 is a very weak pull-up switched on whenever the associated nFET is switched off. This is traditional CMOS switch convention. Current strengths are 1/10 that of pFET #3.



**Figure 4.** Internal Pull-Up Configurations



Note: Port 2 p1 assists the logic-one output for memory bus cycles.

## SFR Mapping

The Special Function Registers (SFRs) of the A/T89C51AC2 fall into the following categories:

**Table 3. C51 Core SFRs**

| Mnemonic | Add | Name                                  | 7  | 6  | 5  | 4   | 3   | 2  | 1  | 0 |
|----------|-----|---------------------------------------|----|----|----|-----|-----|----|----|---|
| ACC      | E0h | Accumulator                           | -  | -  | -  | -   | -   | -  | -  | - |
| B        | F0h | B Register                            | -  | -  | -  | -   | -   | -  | -  | - |
| PSW      | D0h | Program Status Word                   | CY | AC | F0 | RS1 | RS0 | OV | F1 | P |
| SP       | 81h | Stack Pointer                         | -  | -  | -  | -   | -   | -  | -  | - |
| DPL      | 82h | Data Pointer Low byte<br>LSB of DPTR  | -  | -  | -  | -   | -   | -  | -  | - |
| DPH      | 83h | Data Pointer High byte<br>MSB of DPTR | -  | -  | -  | -   | -   | -  | -  | - |

**Table 4. I/O Port SFRs**

| Mnemonic | Add | Name        | 7 | 6 | 5 | 4 | 3 | 2 | 1 | 0 |
|----------|-----|-------------|---|---|---|---|---|---|---|---|
| P0       | 80h | Port 0      | - | - | - | - | - | - | - | - |
| P1       | 90h | Port 1      | - | - | - | - | - | - | - | - |
| P2       | A0h | Port 2      | - | - | - | - | - | - | - | - |
| P3       | B0h | Port 3      | - | - | - | - | - | - | - | - |
| P4       | C0h | Port 4 (x2) | - | - | - | - | - | - | - | - |

**Table 5. Timers SFRs**

| Mnemonic | Add | Name                          | 7     | 6     | 5   | 4   | 3     | 2     | 1   | 0   |
|----------|-----|-------------------------------|-------|-------|-----|-----|-------|-------|-----|-----|
| TH0      | 8Ch | Timer/Counter 0 High byte     | -     | -     | -   | -   | -     | -     | -   | -   |
| TL0      | 8Ah | Timer/Counter 0 Low byte      | -     | -     | -   | -   | -     | -     | -   | -   |
| TH1      | 8Dh | Timer/Counter 1 High byte     | -     | -     | -   | -   | -     | -     | -   | -   |
| TL1      | 8Bh | Timer/Counter 1 Low byte      | -     | -     | -   | -   | -     | -     | -   | -   |
| TH2      | CDh | Timer/Counter 2 High byte     | -     | -     | -   | -   | -     | -     | -   | -   |
| TL2      | CCh | Timer/Counter 2 Low byte      | -     | -     | -   | -   | -     | -     | -   | -   |
| TCON     | 88h | Timer/Counter 0 and 1 control | TF1   | TR1   | TF0 | TR0 | IE1   | IT1   | IE0 | IT0 |
| TMOD     | 89h | Timer/Counter 0 and 1 Modes   | GATE1 | C/T1# | M11 | M01 | GATE0 | C/T0# | M10 | M00 |

**Table 5. Timers SFRs (Continued)**

| Mnemonic | Add | Name                                     | 7   | 6    | 5    | 4    | 3     | 2   | 1     | 0       |
|----------|-----|--|-----|------|------|------|-------|-----|-------|---------|
| T2CON    | C8h | Timer/Counter 2 control                  | TF2 | EXF2 | RCLK | TCLK | EXEN2 | TR2 | C/T2# | CP/RL2# |
| T2MOD    | C9h | Timer/Counter 2 Mode                     | -   | -    | -    | -    | -     | -   | T2OE  | DCEN    |
| RCAP2H   | CBh | Timer/Counter 2 Reload/Capture High byte | -   | -    | -    | -    | -     | -   | -     | -       |
| RCAP2L   | CAh | Timer/Counter 2 Reload/Capture Low byte  | -   | -    | -    | -    | -     | -   | -     | -       |
| WDTRST   | A6h | Watchdog Timer Reset                     | -   | -    | -    | -    | -     | -   | -     | -       |
| WDTPRG   | A7h | Watchdog Timer Program                   | -   | -    | -    | -    | -     | S2  | S1    | S0      |

**Table 6. Serial I/O Port SFRs**

| Mnemonic | Add | Name               | 7      | 6   | 5   | 4   | 3   | 2   | 1  | 0  |
|----------|-----|--------------------|--------|-----|-----|-----|-----|-----|----|----|
| SCON     | 98h | Serial Control     | FE/SM0 | SM1 | SM2 | REN | TB8 | RB8 | TI | RI |
| SBUF     | 99h | Serial Data Buffer | -      | -   | -   | -   | -   | -   | -  | -  |
| SADEN    | B9h | Slave Address Mask | -      | -   | -   | -   | -   | -   | -  | -  |
| SADDR    | A9h | Slave Address      | -      | -   | -   | -   | -   | -   | -  | -  |

**Table 7. PCA SFRs**

| Mnemonic | Add | Name                           | 7       | 6       | 5       | 4       | 3       | 2       | 1       | 0       |
|----------|-----|--------------------------------|---------|---------|---------|---------|---------|---------|---------|---------|
| CCON     | D8h | PCA Timer/Counter Control      | CF      | CR      | -       | CCF4    | CCF3    | CCF2    | CCF1    | CCF0    |
| CMOD     | D9h | PCA Timer/Counter Mode         | CIDL    | WDTE    | -       | -       | -       | CPS1    | CPS0    | ECF     |
| CL       | E9h | PCA Timer/Counter Low byte     | -       | -       | -       | -       | -       | -       | -       | -       |
| CH       | F9h | PCA Timer/Counter High byte    | -       | -       | -       | -       | -       | -       | -       | -       |
| CCAPM0   | DAh | PCA Timer/Counter Mode 0       | -       | ECOM0   | CAPP0   | CAPN0   | MAT0    | TOG0    | PWM0    | ECCF0   |
| CCAPM1   | DBh | PCA Timer/Counter Mode 1       |         | ECOM1   | CAPP1   | CAPN1   | MAT1    | TOG1    | PWM1    | ECCF1   |
| CCAPM2   | DCh | PCA Timer/Counter Mode 2       |         | ECOM2   | CAPP2   | CAPN2   | MAT2    | TOG2    | PWM2    | ECCF2   |
| CCAPM3   | DDh | PCA Timer/Counter Mode 3       |         | ECOM3   | CAPP3   | CAPN3   | MAT3    | TOG3    | PWM3    | ECCF3   |
| CCAPM4   | DEh | PCA Timer/Counter Mode 4       |         | ECOM4   | CAPP4   | CAPN4   | MAT4    | TOG4    | PWM4    | ECCF4   |
| CCAP0H   | FAh | PCA Compare Capture Module 0 H | CCAP0H7 | CCAP0H6 | CCAP0H5 | CCAP0H4 | CCAP0H3 | CCAP0H2 | CCAP0H1 | CCAP0H0 |
| CCAP1H   | FBh | PCA Compare Capture Module 1 H | CCAP1H7 | CCAP1H6 | CCAP1H5 | CCAP1H4 | CCAP1H3 | CCAP1H2 | CCAP1H1 | CCAP1H0 |
| CCAP2H   | FCh | PCA Compare Capture Module 2 H | CCAP2H7 | CCAP2H6 | CCAP2H5 | CCAP2H4 | CCAP2H3 | CCAP2H2 | CCAP2H1 | CCAP2H0 |
| CCAP3H   | FDh | PCA Compare Capture Module 3 H | CCAP3H7 | CCAP3H6 | CCAP3H5 | CCAP3H4 | CCAP3H3 | CCAP3H2 | CCAP3H1 | CCAP3H0 |
| CCAP4H   | FEh | PCA Compare Capture Module 4 H | CCAP4H7 | CCAP4H6 | CCAP4H5 | CCAP4H4 | CCAP4H3 | CCAP4H2 | CCAP4H1 | CCAP4H0 |

**Table 7. PCA SFRs (Continued)**

| Mnemonic | Add | Name                           | 7       | 6       | 5       | 4       | 3       | 2       | 1       | 0       |
|----------|-----|--------------------------------|---------|---------|---------|---------|---------|---------|---------|---------|
| CCAP0L   | EAh | PCA Compare Capture Module 0 L | CCAP0L7 | CCAP0L6 | CCAP0L5 | CCAP0L4 | CCAP0L3 | CCAP0L2 | CCAP0L1 | CCAP0L0 |
| CCAP1L   | EBh | PCA Compare Capture Module 1 L | CCAP1L7 | CCAP1L6 | CCAP1L5 | CCAP1L4 | CCAP1L3 | CCAP1L2 | CCAP1L1 | CCAP1L0 |
| CCAP2L   | ECh | PCA Compare Capture Module 2 L | CCAP2L7 | CCAP2L6 | CCAP2L5 | CCAP2L4 | CCAP2L3 | CCAP2L2 | CCAP2L1 | CCAP2L0 |
| CCAP3L   | EDh | PCA Compare Capture Module 3 L | CCAP3L7 | CCAP3L6 | CCAP3L5 | CCAP3L4 | CCAP3L3 | CCAP3L2 | CCAP3L1 | CCAP3L0 |
| CCAP4L   | EEh | PCA Compare Capture Module 4 L | CCAP4L7 | CCAP4L6 | CCAP4L5 | CCAP4L4 | CCAP4L3 | CCAP4L2 | CCAP4L1 | CCAP4L0 |

**Table 8. Interrupt SFRs**

| Mnemonic | Add | Name                              | 7  | 6    | 5    | 4   | 3    | 2    | 1     | 0    |
|----------|-----|-----------------------------------|----|------|------|-----|------|------|-------|------|
| IEN0     | A8h | Interrupt Enable Control 0        | EA | EC   | ET2  | ES  | ET1  | EX1  | ET0   | EX0  |
| IEN1     | E8h | Interrupt Enable Control 1        | –  | –    | –    | –   | –    | –    | EADC  | –    |
| IPL0     | B8h | Interrupt Priority Control Low 0  | –  | PPC  | PT2  | PS  | PT1  | PX1  | PT0   | PX0  |
| IPH0     | B7h | Interrupt Priority Control High 0 | –  | PPCH | PT2H | PSH | PT1H | PX1H | PT0H  | PX0H |
| IPL1     | F8h | Interrupt Priority Control Low 1  | –  | –    | –    | –   | –    | –    | PADCL | –    |
| IPH1     | F7h | Interrupt Priority Control High 1 | –  | –    | –    | –   | –    | –    | PADCH | –    |

**Table 9. ADC SFRs**


| Mnemonic | Add | Name               | 7     | 6      | 5     | 4     | 3     | 2     | 1     | 0     |
|----------|-----|--------------------|-------|--------|-------|-------|-------|-------|-------|-------|
| ADCON    | F3h | ADC Control        | –     | PSIDLE | ADEN  | ADEOC | ADSST | SCH2  | SCH1  | SCH0  |
| ADCF     | F6h | ADC Configuration  | CH7   | CH6    | CH5   | CH4   | CH3   | CH2   | CH1   | CH0   |
| ADCLK    | F2h | ADC Clock          | –     | –      | –     | PRS4  | PRS3  | PRS2  | PRS1  | PRS0  |
| ADDH     | F5h | ADC Data High byte | ADAT9 | ADAT8  | ADAT7 | ADAT6 | ADAT5 | ADAT4 | ADAT3 | ADAT2 |
| ADDL     | F4h | ADC Data Low byte  | –     | –      | –     | –     | –     | –     | ADAT1 | ADAT0 |

**Table 10. Other SFRs**

| Mnemonic | Add | Name                 | 7     | 6     | 5      | 4     | 3    | 2     | 1      | 0      |
|----------|-----|----------------------|-------|-------|--------|-------|------|-------|--------|--------|
| PCON     | 87h | Power Control        | SMOD1 | SMOD0 | –      | POF   | GF1  | GF0   | PD     | IDL    |
| AUXR     | 8Eh | Auxiliary Register 0 | –     | –     | M0     | –     | XRS1 | XRS2  | EXTRAM | A0     |
| AUXR1    | A2h | Auxiliary Register 1 | –     | –     | ENBOOT | –     | GF3  | 0     | –      | DPS    |
| CKCON    | 8Fh | Clock Control        | –     | WDX2  | PCAX2  | SIX2  | T2X2 | T1X2  | T0X2   | X2     |
| FCON     | D1h | Flash Control        | FPL3  | FPL2  | FPL1   | FPL0  | FPS  | FMOD1 | FMOD0  | FBUSY  |
| EECON    | D2h | EEPROM Control       | EEPL3 | EEPL2 | EEPL1  | EEPL0 | –    | –     | EEE    | EEBUSY |

**Table 11. SFR Mapping**

|     | 0/8 <sup>(1)</sup> | 1/9                | 2/A                 | 3/B                 | 4/C                 | 5/D                 | 6/E                 | 7/F                 |     |
|-----|--------------------|--------------------|---------------------|---------------------|---------------------|---------------------|---------------------|---------------------|-----|
| F8h | IPL1<br>xxxx xx0x  | CH<br>0000 0000    | CCAP0H<br>0000 0000 | CCAP1H<br>0000 0000 | CCAP2H<br>0000 0000 | CCAP3H<br>0000 0000 | CCAP4H<br>0000 0000 |                     | FFh |
| F0h | B<br>0000 0000     |                    | ADCLK<br>xxx0 0000  | ADCON<br>x000 0000  | ADDL<br>0000 0000   | ADDH<br>0000 0000   | ADCF<br>0000 0000   | IPH1<br>xxxx xx0x   | F7h |
| E8h | IEN1<br>xxxx xx0x  | CL<br>0000 0000    | CCAP0L<br>0000 0000 | CCAP1L<br>0000 0000 | CCAP2L<br>0000 0000 | CCAP3L<br>0000 0000 | CCAP4L<br>0000 0000 |                     | EFh |
| E0h | ACC<br>0000 0000   |                    |                     |                     |                     |                     |                     |                     | E7h |
| D8h | CCON<br>00x0 0000  | CMOD<br>00xx x000  | CCAPM0<br>x000 0000 | CCAPM1<br>x000 0000 | CCAPM2<br>x000 0000 | CCAPM3<br>x000 0000 | CCAPM4<br>x000 0000 |                     | DFh |
| D0h | PSW<br>0000 0000   | FCON<br>0000 0000  | EECON<br>xxxx xx00  |                     |                     |                     |                     |                     | D7h |
| C8h | T2CON<br>0000 0000 | T2MOD<br>xxxx xx00 | RCAP2L<br>0000 0000 | RCAP2H<br>0000 0000 | TL2<br>0000 0000    | TH2<br>0000 0000    |                     |                     | CFh |
| C0h | P4<br>xxxx xx11    |                    |                     |                     |                     |                     |                     |                     | C7h |
| B8h | IPL0<br>x000 0000  | SADEN<br>0000 0000 |                     |                     |                     |                     |                     |                     | BFh |
| B0h | P3<br>1111 1111    |                    |                     |                     |                     |                     |                     | IPH0<br>x000 0000   | B7h |
| A8h | IEN0<br>0000 0000  | SADDR<br>0000 0000 |                     |                     |                     |                     |                     |                     | AFh |
| A0h | P2<br>1111 1111    |                    | AUXR1<br>xxxx 00x0  |                     |                     |                     | WDTRST<br>1111 1111 | WDTPRG<br>xxxx x000 | A7h |
| 98h | SCON<br>0000 0000  | SBUF<br>0000 0000  |                     |                     |                     |                     |                     |                     | 9Fh |
| 90h | P1<br>1111 1111    |                    |                     |                     |                     |                     |                     |                     | 97h |
| 88h | TCON<br>0000 0000  | TMOD<br>0000 0000  | TL0<br>0000 0000    | TL1<br>0000 0000    | TH0<br>0000 0000    | TH1<br>0000 0000    | AUXR<br>x00x 1100   | CKCON<br>0000 0000  | 8Fh |
| 80h | P0<br>1111 1111    | SP<br>0000 0111    | DPL<br>0000 0000    | DPH<br>0000 0000    |                     |                     |                     | PCON<br>00x1 0000   | 87h |
|     | 0/8 <sup>(1)</sup> | 1/9                | 2/A                 | 3/B                 | 4/C                 | 5/D                 | 6/E                 | 7/F                 |     |

Reserved 

Note: 1. These registers are bit-addressable.  
 Sixteen addresses in the SFR space are both byte-addressable and bit-addressable. The bit-addressable SFR's are those whose address ends in 0 and 8. The bit addresses, in this area, are 0x80 through to 0xFF.

## Clock

The A/T89C51AC2 core needs only 6 clock periods per machine cycle. This feature, called "X2", provides the following advantages:

- Divides frequency crystals by 2 (cheaper crystals) while keeping the same CPU power.
- Saves power consumption while keeping the same CPU power (oscillator power saving).
- Saves power consumption by dividing dynamic operating frequency by 2 in operating and idle modes.
- Increases CPU power by 2 while keeping the same crystal frequency.

In order to keep the original C51 compatibility, a divider-by-2 is inserted between the XTAL1 signal and the main clock input of the core (phase generator). This divider may be disabled by the software.

An extra feature is available to start after Reset in the X2 mode. This feature can be enabled by a bit X2B in the Hardware Security Byte. This bit is described in the section "In-System-Programming".

## Description

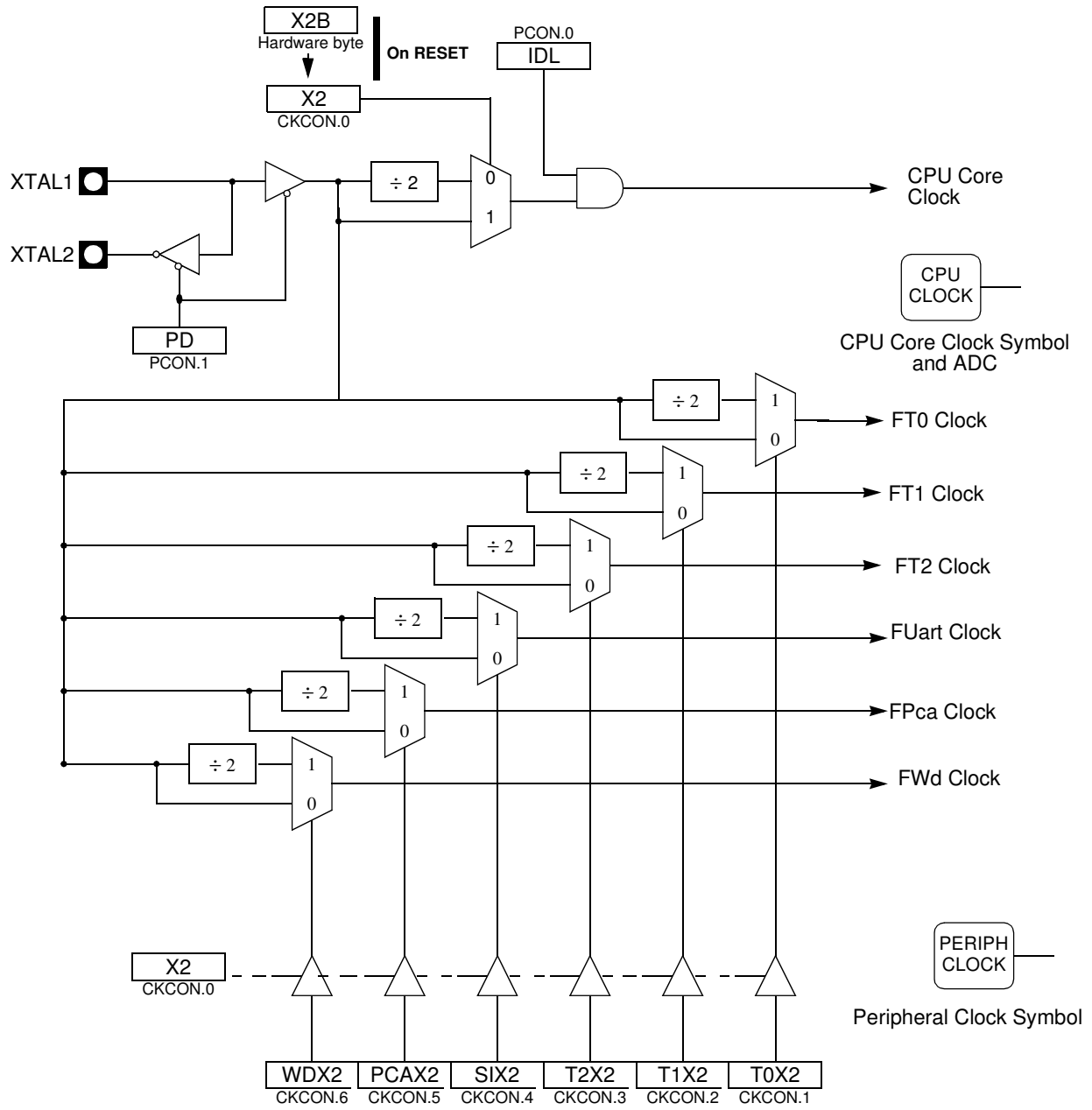
The X2 bit in the CKCON register (see Table 12) allows switching from 12 clock cycles per instruction to 6 clock cycles and vice versa. At reset, the standard speed is activated (STD mode).

Setting this bit activates the X2 feature (X2 mode) for the CPU Clock only (see Figure 5.).

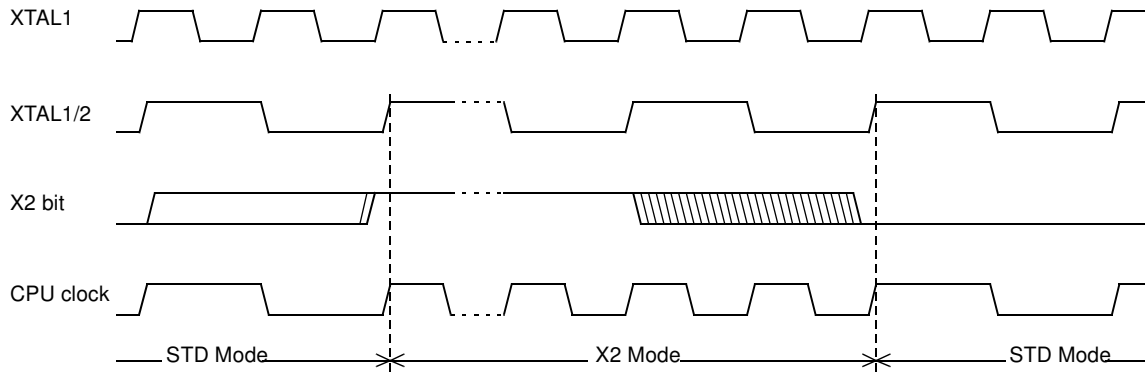
The Timers 0, 1 and 2, Uart, PCA, or Watchdog switch in X2 mode only if the corresponding bit is cleared in the CKCON register.

The clock for the whole circuit and peripheral is first divided by two before being used by the CPU core and peripherals. This allows any cyclic ratio to be accepted on the XTAL1 input. In X2 mode, as this divider is bypassed, the signals on XTAL1 must have a cyclic ratio between 40 to 60%. Figure 5. shows the clock generation block diagram. The X2 bit is validated on the  $XTAL1 \div 2$  rising edge to avoid glitches when switching from the X2 to the STD mode. Figure 6 shows the mode switching waveforms.

Figure 5. Clock CPU Generation Diagram



**Figure 6. Mode Switching Waveforms**



**Note:** In order to prevent any incorrect operation while operating in the X2 mode, users must be aware that all peripherals using the clock frequency as a time reference (UART, timers...) will have their time reference divided by two. For example a free running timer generating an interrupt every 20 ms will then generate an interrupt every 10 ms. A UART with a 4800 baud rate will have a 9600 baud rate.



Register

Table 12. CKCON Register

CKCON (S:8Fh)  
Clock Control Register

| 7          | 6            | 5  | 4    | 3    | 2    | 1    | 0  |
|------------|--------------|--|------|------|------|------|----|
| -          | WDX2         | PCAX2  | SIX2 | T2X2 | T1X2 | T0X2 | X2 |
| Bit Number | Bit Mnemonic | Description  |      |      |      |      |    |
| -          | -            | <b>Reserved</b><br>Do not set this bit.  |      |      |      |      |    |
| 6          | WDX2         | <b>Watchdog clock <sup>(1)</sup></b><br>Clear to select 6 clock periods per peripheral clock cycle.<br>Set to select 12 clock periods per peripheral clock cycle.  |      |      |      |      |    |
| 5          | PCAX2        | <b>Programmable Counter Array clock <sup>(1)</sup></b><br>Clear to select 6 clock periods per peripheral clock cycle.<br>Set to select 12 clock periods per peripheral clock cycle.  |      |      |      |      |    |
| 4          | SIX2         | <b>Enhanced UART clock (MODE 0 and 2) <sup>(1)</sup></b><br>Clear to select 6 clock periods per peripheral clock cycle.<br>Set to select 12 clock periods per peripheral clock cycle.  |      |      |      |      |    |
| 3          | T2X2         | <b>Timer 2 clock <sup>(1)</sup></b><br>Clear to select 6 clock periods per peripheral clock cycle.<br>Set to select 12 clock periods per peripheral clock cycle.   |      |      |      |      |    |
| 2          | T1X2         | <b>Timer 1 clock <sup>(1)</sup></b><br>Clear to select 6 clock periods per peripheral clock cycle.<br>Set to select 12 clock periods per peripheral clock cycle.   |      |      |      |      |    |
| 1          | T0X2         | <b>Timer 0 clock <sup>(1)</sup></b><br>Clear to select 6 clock periods per peripheral clock cycle.<br>Set to select 12 clock periods per peripheral clock cycle.   |      |      |      |      |    |
| 0          | X2           | <b>CPU clock</b><br>Clear to select 12 clock periods per machine cycle (STD mode) for CPU and all the peripherals.<br>Set to select 6 clock periods per machine cycle (X2 mode) and to enable the individual peripherals "X2"bits. |      |      |      |      |    |

Note: 1. This control bit is validated when the CPU clock bit X2 is set; when X2 is low, this bit has no effect.

Reset Value = x000 0000b

## Power Management

Two power reduction modes are implemented in the A/T89C51AC2: the Idle mode and the Power-down mode. These modes are detailed in the following sections. In addition to these power reduction modes, the clocks of the core and peripherals can be dynamically divided by 2 using the X2 Mode detailed in Section “Clock”.

## Reset Pin

In order to start-up (cold reset) or to restart (warm reset) properly the microcontroller, a high level has to be applied on the RST pin. A bad level leads to a wrong initialisation of the internal registers like SFRs, PC, etc. and to unpredictable behavior of the microcontroller. A warm reset can be applied either directly on the RST pin or indirectly by an internal reset source such as a watchdog, PCA, timer, etc.

## At Power-up (Cold Reset)

Two conditions are required before enabling a CPU start-up:

- VDD must reach the specified VDD range,
- The level on xtal1 input must be outside the specification (VIH, VIL).

If one of these two conditions are not met, the microcontroller does not start correctly and can execute an instruction fetch from anywhere in the program space. An active level applied on the RST pin must be maintained until both of the above conditions are met. A reset is active when the level VIH1 is reached and when the pulse width covers the period of time where VDD and the oscillator are not stabilized. Two parameters have to be taken into account to determine the reset pulse width:

- VDD rise time (vddrst),
- Oscillator startup time (oscrst).

To determine the capacitor the highest value of these two parameters has to be chosen. The reset circuitry is shown in Figure 7.

**Figure 7.** Reset Circuitry

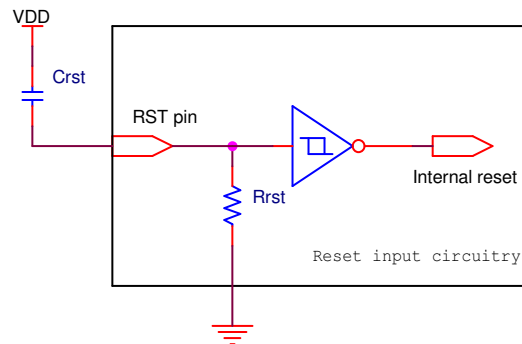


Table 13 and Table 15 give some typical examples for three values of VDD rise times, two values of oscillator start-up time and two pull-down resistor values.

**Table 13.** Minimum Reset Capacitor for a 15k Pull-down Resistor

| oscrst/vddrst | 1 ms        | 10ms        | 100ms      |
|---------------|-------------|-------------|------------|
| 5 ms          | 2.7 $\mu$ F | 4.7 $\mu$ F | 47 $\mu$ F |
| 20 ms         | 10 $\mu$ F  | 15 $\mu$ F  | 47 $\mu$ F |

Note: These values assume VDD starts from 0v to the nominal value. If the time between two on/off sequences is too fast, the power-supply decoupling capacitors may not be fully discharged, leading to a bad reset sequence.

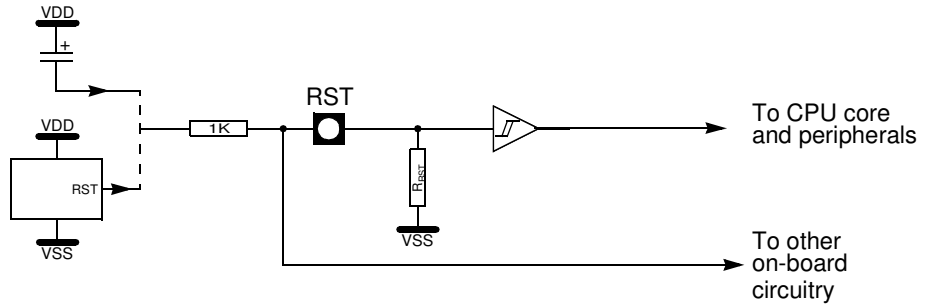
**Warm Reset**

To achieve a valid reset, the reset signal must be maintained for at least 2 machine cycles (24 oscillator clock periods) while the oscillator is running. The number of clock periods is mode independent (X2 or X1).

**Watchdog Reset**

As detailed in Section “PCA Watchdog Timer”, page 80, the WDT generates a 96-clock period pulse on the RST pin. In order to properly propagate this pulse to the rest of the application in case of external capacitor or power-supply supervisor circuit, a 1KΩ resistor must be added as shown Figure 8.

**Figure 8.** Reset Circuitry for WDT reset out usage



**Reset Recommendation to Prevent Flash Corruption**

An example of bad initialization situation may occur in an instance where the bit ENBOOT in AUXR1 register is initialized from the hardware bit BLJB upon reset. Since this bit allows mapping of the bootloader in the code area, a reset failure can be critical.

If one wants the ENBOOT cleared in order to unmap the boot from the code area (yet due to a bad reset) the bit ENBOOT in SFRs may be set. If the value of Program Counter is accidentally in the range of the boot memory addresses then a flash access (write or erase) may corrupt the Flash on-chip memory.

It is recommended to use an external reset circuitry featuring power supply monitoring to prevent system malfunction during periods of insufficient power supply voltage (power supply failure, power supply switched off).

**Idle Mode**

Idle mode is a power reduction mode that reduces the power consumption. In this mode, program execution halts. Idle mode freezes the clock to the CPU at known states while the peripherals continue to be clocked. The CPU status before entering Idle mode is preserved, i.e., the program counter and program status word register retain their data for the duration of Idle mode. The contents of the SFRs and RAM are also retained. The status of the Port pins during Idle mode is detailed in Table 14.

**Entering Idle Mode**

To enter Idle mode, you must set the IDL bit in PCON register (see Table 15). The T89C51CC02 enters Idle mode upon execution of the instruction that sets IDL bit. The instruction that sets IDL bit is the last instruction executed.

Note: If IDL bit and PD bit are set simultaneously, the T89C51CC02 enters Power-down mode. Then it does not go in Idle mode when exiting Power-down mode.

**Exiting Idle Mode**

There are two ways to exit Idle mode:

1. Generate an enabled interrupt.
  - Hardware clears IDL bit in PCON register which restores the clock to the CPU. Execution resumes with the interrupt service routine. Upon completion of the interrupt service routine, program execution resumes with the instruction immediately following the instruction that activated Idle mode.

The general-purpose flags (GF1 and GF0 in PCON register) may be used to indicate whether an interrupt occurred during normal operation or during Idle mode. When Idle mode is exited by an interrupt, the interrupt service routine may examine GF1 and GF0.

2. Generate a reset.
  - A logic high on the RST pin clears IDL bit in PCON register directly and asynchronously. This restores the clock to the CPU. Program execution momentarily resumes with the instruction immediately following the instruction that activated the Idle mode and may continue for a number of clock cycles before the internal reset algorithm takes control. Reset initializes the T89C51CC02 and vectors the CPU to address C:0000h.

- Notes:
1. During the time that execution resumes, the internal RAM cannot be accessed; however, it is possible for the Port pins to be accessed. To avoid unexpected outputs at the Port pins, the instruction immediately following the instruction that activated Idle mode should not write to a Port pin or to the external RAM.
  2. If Idle mode is invoked by ADC Idle, the ADC conversion completion will exit Idle.

## Power-down Mode

The Power-down mode places the T89C51CC02 in a very low power state. Power-down mode stops the oscillator and freezes all clocks at known states. The CPU status prior to entering Power-down mode is preserved, i.e., the program counter, program status word register retain their data for the duration of Power-down mode. In addition, the SFRs and RAM contents are preserved. The status of the Port pins during Power-down mode is detailed in Table 14.

## Entering Power-down Mode

To enter Power-down mode, set PD bit in PCON register. The T89C51CC02 enters the Power-down mode upon execution of the instruction that sets PD bit. The instruction that sets PD bit is the last instruction executed.

## Exiting Power-down Mode

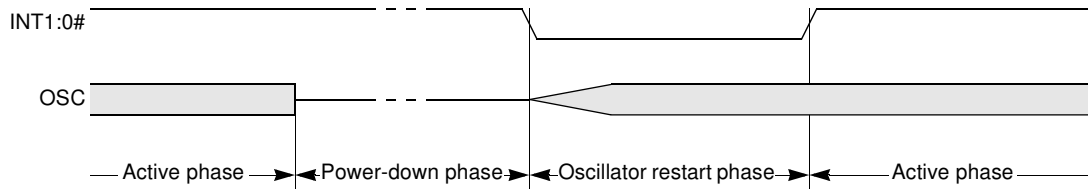
If VDD was reduced during the Power-down mode, do not exit Power-down mode until VDD is restored to the normal operating level.

There are two ways to exit the Power-down mode:

1. Generate an enabled external interrupt.
  - The T89C51CC02 provides capability to exit from Power-down using INT0#, INT1#.  
Hardware clears PD bit in PCON register which starts the oscillator and restores the clocks to the CPU and peripherals. Using INTx# input, execution resumes when the input is released (see Figure 9) while using KINx input, execution resumes after counting 1024 clock ensuring the oscillator is restarted properly (see Figure 8). Execution resumes with the interrupt service routine. Upon completion of the interrupt service routine, program execution resumes with the instruction immediately following the instruction that activated Power-down mode.

- Note:
1. The external interrupt used to exit Power-down mode must be configured as level sensitive (INT0# and INT1#) and must be assigned the highest priority. In addition, the duration of the interrupt must be long enough to allow the oscillator to stabilize. The execution will only resume when the interrupt is deasserted.
  2. Exit from power-down by external interrupt does not affect the SFRs nor the internal RAM content.

Figure 9. Power-down Exit Waveform Using INT1:0#



2. Generate a reset.

- A logic high on the RST pin clears PD bit in PCON register directly and asynchronously. This starts the oscillator and restores the clock to the CPU and peripherals. Program execution momentarily resumes with the instruction immediately following the instruction that activated Power-down mode and may continue for a number of clock cycles before the internal reset algorithm takes control. Reset initializes the T89C51CC02 and vectors the CPU to address 0000h.

- Notes:
1. During the time that execution resumes, the internal RAM cannot be accessed; however, it is possible for the Port pins to be accessed. To avoid unexpected outputs at the Port pins, the instruction immediately following the instruction that activated the Power-down mode should not write to a Port pin or to the external RAM.
  2. Exit from power-down by reset redefines all the SFRs, but does not affect the internal RAM content.

Table 14. Pin Conditions in Special Operating Modes

| Mode                       | Port 0   | Port 1 | Port 2 | Port 3 | Port 4 | ALE  | PSEN# |
|----------------------------|----------|--------|--------|--------|--------|------|-------|
| Reset                      | Floating | High   | High   | High   | High   | High | High  |
| Idle (internal code)       | Data     | Data   | Data   | Data   | Data   | High | High  |
| Idle (external code)       | Floating | Data   | Data   | Data   | Data   | High | High  |
| Power-Down (internal code) | Data     | Data   | Data   | Data   | Data   | Low  | Low   |
| Power-Down (external code) | Floating | Data   | Data   | Data   | Data   | Low  | Low   |

## Registers

**Table 15.** PCON Register

PCON (S:87h) – Power configuration Register

| 7          | 6            | 5  | 4   | 3   | 2   | 1  | 0   |
|------------|--------------|--|-----|-----|-----|----|-----|
| SMOD1      | SMOD0        | -  | POF | GF1 | GF0 | PD | IDL |
| Bit Number | Bit Mnemonic | Description  |     |     |     |    |     |
| 7          | SMOD1        | <b>Serial port Mode bit 1</b><br>Set to select double baud rate in mode 1, 2 or 3  |     |     |     |    |     |
| 6          | SMOD0        | <b>Serial port Mode bit 0</b><br>Clear to select SM0 bit in SCON register.<br>Set to select FE bit in SCON register.   |     |     |     |    |     |
| 5          | -            | <b>Reserved</b><br>The value read from this bit is indeterminate. Do not set this bit.   |     |     |     |    |     |
| 4          | POF          | <b>Power-Off Flag</b><br>Clear to recognize next reset type.<br>Set by hardware when $V_{cc}$ rises from 0 to its nominal voltage. Can also be set by software.                  |     |     |     |    |     |
| 3          | GF1          | <b>General-purpose flag 1</b><br>One use is to indicate whether an interrupt occurred during normal operation or during Idle mode.   |     |     |     |    |     |
| 2          | GF0          | <b>General-purpose flag 0</b><br>One use is to indicate whether an interrupt occurred during normal operation or during Idle mode.   |     |     |     |    |     |
| 1          | PD           | <b>Power-down Mode bit</b><br>Cleared by hardware when an interrupt or reset occurs.<br>Set to activate the Power-down mode.<br>If IDL and PD are both set, PD takes precedence. |     |     |     |    |     |
| 0          | IDL          | <b>Idle Mode bit</b><br>Cleared by hardware when an interrupt or reset occurs.<br>Set to activate the Idle mode.<br>If IDL and PD are both set, PD takes precedence.             |     |     |     |    |     |

Reset Value = 00X1 0000b

## Data Memory

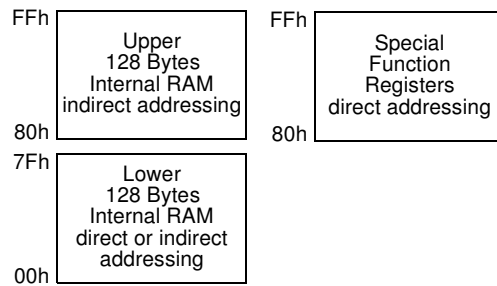
The A/T89C51AC2 provides data memory access in two different spaces:

1. The internal space mapped in three separate segments:
  - the lower 128 Bytes RAM segment.
  - the upper 128 Bytes RAM segment.
  - the expanded 1024 Bytes RAM segment (XRAM).
2. The external space.

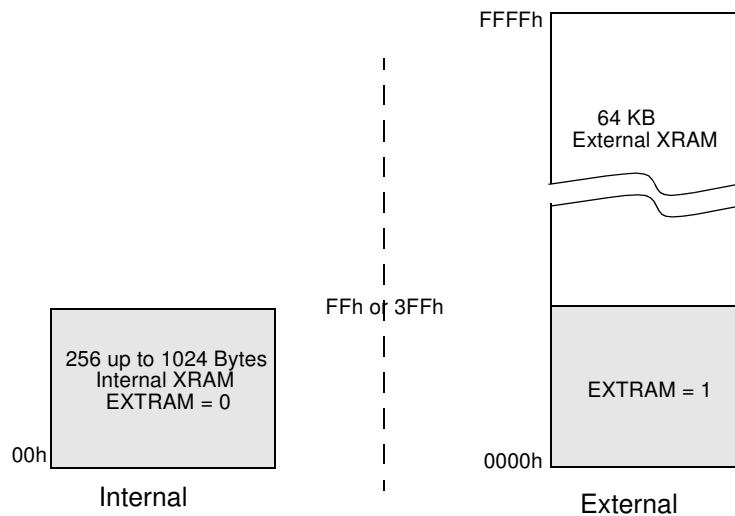
A fourth internal segment is available but dedicated to Special Function Registers, SFRs, (addresses 80h to FFh) accessible by direct addressing mode.

Figure 11 shows the internal and external data memory spaces organization.

**Figure 10.** Internal Memory - RAM



**Figure 11.** Internal and External Data Memory Organization XRAM-XRAM



## Internal Space

### Lower 128 Bytes RAM

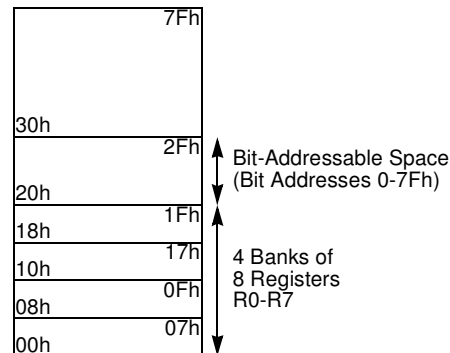
The lower 128 Bytes of RAM (see Figure 11) are accessible from address 00h to 7Fh using direct or indirect addressing modes. The lowest 32 Bytes are grouped into 4 banks of 8 registers (R0 to R7). Two bits RS0 and RS1 in PSW register (see Figure 18) select which bank is in use according to Table 16. This allows more efficient use of code space, since register instructions are shorter than instructions that use direct addressing, and can be used for context switching in interrupt service routines.

**Table 16.** Register Bank Selection

| RS1 | RS0 | Description                     |
|-----|-----|---------------------------------|
| 0   | 0   | Register bank 0 from 00h to 07h |
| 0   | 1   | Register bank 0 from 08h to 0Fh |
| 1   | 0   | Register bank 0 from 10h to 17h |
| 1   | 1   | Register bank 0 from 18h to 1Fh |

The next 16 Bytes above the register banks form a block of bit-addressable memory space. The C51 instruction set includes a wide selection of single-bit instructions, and the 128 bits in this area can be directly addressed by these instructions. The bit addresses in this area are 00h to 7Fh.

**Figure 12.** Lower 128 Bytes Internal RAM Organization



### Upper 128 Bytes RAM

The upper 128 Bytes of RAM are accessible from address 80h to FFh using only indirect addressing mode.

### Expanded RAM

The on-chip 1024 Bytes of expanded RAM (XRAM) are accessible from address 0000h to 03FFh using indirect addressing mode through MOVX instructions. In this address range, the bit EXTRAM in AUXR register is used to select the XRAM (default) or the XRAM. As shown in Figure 11 when EXTRAM = 0, the XRAM is selected and when EXTRAM = 1, the XRAM is selected.

The size of XRAM can be configured by XRS1-0 bit in AUXR register (default size is 1024 Bytes).

Note: Lower 128 Bytes RAM, Upper 128 Bytes RAM, and expanded RAM are made of volatile memory cells. This means that the RAM content is indeterminate after power-up and must then be initialized properly.



External Space

Memory Interface

The external memory interface comprises the external bus (port 0 and port 2) as well as the bus control signals (RD, WR, and ALE).

Figure 13 shows the structure of the external address bus. P0 carries address A7:0 while P2 carries address A15:8. Data D7:0 is multiplexed with A7:0 on P0. Table 17 describes the external memory interface signals.

Figure 13. External Data Memory Interface Structure

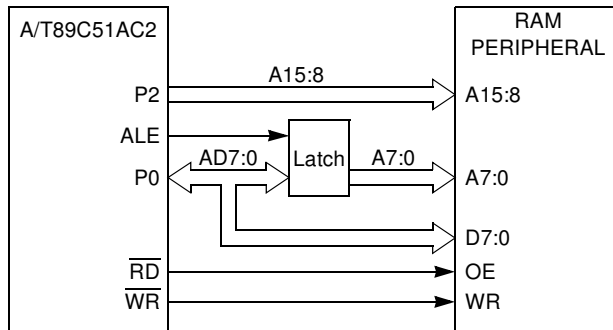


Table 17. External Data Memory Interface Signals

| Signal Name     | Type | Description   | Alternative Function |
|-----------------|------|---|----------------------|
| A15:8           | O    | <b>Address Lines</b><br>Upper address lines for the external bus.   | P2.7:0               |
| AD7:0           | I/O  | <b>Address/Data Lines</b><br>Multiplexed lower address lines and data for the external memory.                    | P0.7:0               |
| ALE             | O    | <b>Address Latch Enable</b><br>ALE signals indicates that valid address information are available on lines AD7:0. | -                    |
| $\overline{RD}$ | O    | <b>Read</b><br>Read signal output to external data memory.  | P3.7                 |
| $\overline{WR}$ | O    | <b>Write</b><br>Write signal output to external memory.   | P3.6                 |

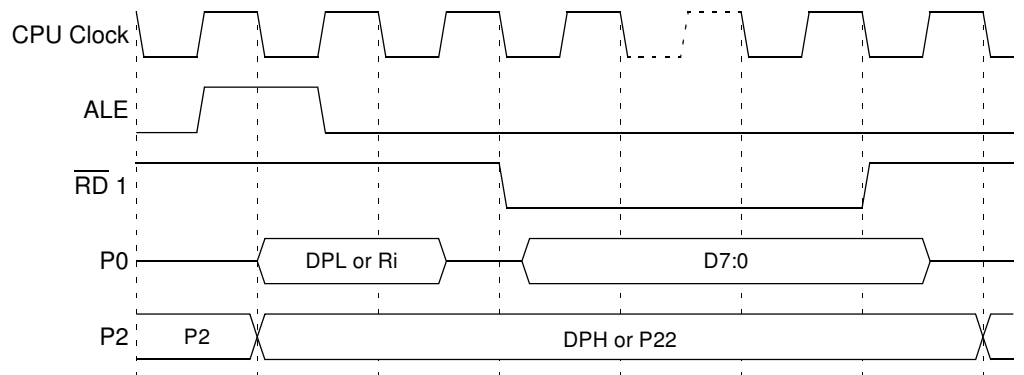
External Bus Cycles

This section describes the bus cycles the A/T89C51AC2 executes to read (see Figure 14), and write data (see Figure 15) in the external data memory. External memory cycle takes 6 CPU clock periods. This is equivalent to 12 oscillator clock period in standard mode or 6 oscillator clock periods in X2 mode. For further information on X2 mode.

Slow peripherals can be accessed by stretching the read and write cycles. This is done using the M0 bit in AUXR register. Setting this bit changes the width of the  $\overline{RD}$  and  $\overline{WR}$  signals from 3 to 15 CPU clock periods.

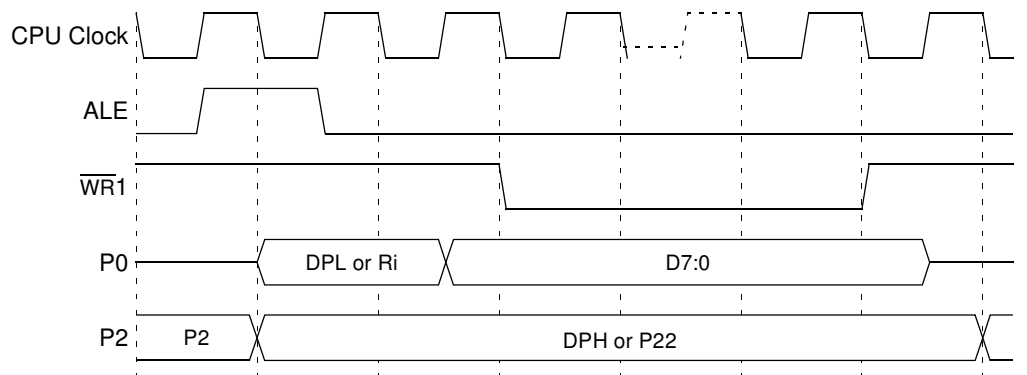
For simplicity, the accompanying figures depict the bus cycle waveforms in idealized form and do not provide precise timing information. For bus cycle timing parameters refer to the Section “AC Characteristics”.

**Figure 14.** External Data Read Waveforms



- Notes: 1.  $\overline{RD}$  signal may be stretched using M0 bit in AUXR register.  
 2. When executing MOVX @Ri instruction, P2 outputs SFR content.

**Figure 15.** External Data Write Waveforms



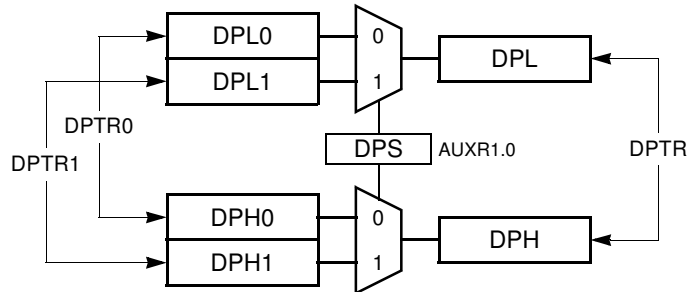
- Notes: 1.  $\overline{WR}$  signal may be stretched using M0 bit in AUXR register.  
 2. When executing MOVX @Ri instruction, P2 outputs SFR content.

## Dual Data Pointer

### Description

The A/T89C51AC2 implements a second data pointer for speeding up code execution and reducing code size in case of intensive usage of external memory accesses. DPTR 0 and DPTR 1 are seen by the CPU as DPTR and are accessed using the SFR addresses 83h and 84h that are the DPH and DPL addresses. The DPS bit in AUXR1 register (see Figure 20) is used to select whether DPTR is the data pointer 0 or the data pointer 1 (see Figure 16).

**Figure 16.** Dual Data Pointer Implementation



### Application

Software can take advantage of the additional data pointers to both increase speed and reduce code size, for example, block operations (copy, compare...) are well served by using one data pointer as a "source" pointer and the other one as a "destination" pointer. Hereafter is an example of block move implementation using the two pointers and coded in assembler. The latest C compiler takes also advantage of this feature by providing enhanced algorithm libraries.

The INC instruction is a short (2 Bytes) and fast (6 machine cycle) way to manipulate the DPS bit in the AUXR1 register. However, note that the INC instruction does not directly force the DPS bit to a particular state, but simply toggles it. In simple routines, such as the block move example, only the fact that DPS is toggled in the proper sequence matters, not its actual value. In other words, the block move routine works the same whether DPS is '0' or '1' on entry.

```
; ASCII block move using dual data pointers
; Modifies DPTR0, DPTR1, A and PSW
; Ends when encountering NULL character
; Note: DPS exits opposite to the entry state unless an extra INC AUXR1 is
added
```

```
AUXR1 EQU 0A2h
```

```
move:movDPTR,#SOURCE ; address of SOURCE
      incAUXR1 ; switch data pointers
      movDPTR,#DEST ; address of DEST
mv_loop:incAUXR1; switch data pointers
      movxA,@DPTR; get a byte from SOURCE
      incDPTR; increment SOURCE address
      incAUXR1; switch data pointers
      movx@DPTR,A; write the byte to DEST
      incDPTR; increment DEST address
      jnzmv_loop; check for NULL terminator
end_move:
```

## Registers

**Table 18.** PSW Register

PSW (S:D0h)  
Program Status Word Register

| 7          | 6            | 5  | 4   | 3   | 2  | 1  | 0 |
|------------|--------------|--|-----|-----|----|----|---|
| CY         | AC           | F0   | RS1 | RS0 | OV | F1 | P |
| Bit Number | Bit Mnemonic | Description  |     |     |    |    |   |
| 7          | CY           | <b>Carry Flag</b><br>Carry out from bit 1 of ALU operands.   |     |     |    |    |   |
| 6          | AC           | <b>Auxiliary Carry Flag</b><br>Carry out from bit 1 of addition operands.  |     |     |    |    |   |
| 5          | F0           | <b>User Definable Flag 0.</b>  |     |     |    |    |   |
| 4-3        | RS1:0        | <b>Register Bank Select Bits</b><br>Refer to Table 16 for bits description.  |     |     |    |    |   |
| 2          | OV           | <b>Overflow Flag</b><br>Overflow set by arithmetic operations.   |     |     |    |    |   |
| 1          | F1           | <b>User Definable Flag 1</b>   |     |     |    |    |   |
| 0          | P            | <b>Parity Bit</b><br>Set when ACC contains an odd number of 1's.<br>Cleared when ACC contains an even number of 1's. |     |     |    |    |   |

Reset Value = 0000 0000b

**Table 19.** AUXR Register

AUXR (S:8Eh)  
Auxiliary Register

| 7          | 6            | 5   | 4 | 3    | 2    | 1      | 0  |
|------------|--------------|---|---|------|------|--------|----|
| -          | -            | M0  | - | XRS1 | XRS0 | EXTRAM | A0 |
| Bit Number | Bit Mnemonic | Description   |   |      |      |        |    |
| 7-6        | -            | <b>Reserved</b><br>The value read from these bits are indeterminate. Do not set this bit.   |   |      |      |        |    |
| 5          | M0           | <b>Stretch MOVX control:</b><br>the RD/ and the WR/ pulse length is increased according to the value of M0.<br><b>M0 Pulse length in clock period</b><br>0     6<br>1     30                    |   |      |      |        |    |
| 4          | -            | <b>Reserved</b><br>The value read from this bit is indeterminate. Do not set this bit.  |   |      |      |        |    |
| 3-2        | XRS1:0       | <b>XRAM size:</b><br>Accessible size of the XRAM<br><b>XRS 1:0     XRAM size</b><br>0     0     256 Bytes<br>0     1     512 Bytes<br>1     0     768 Bytes<br>1     1     1024 Bytes (default) |   |      |      |        |    |

| Bit Number | Bit Mnemonic | Description  |
|------------|--------------|--|
| 1          | EXTRAM       | <b>Internal/External RAM (00h - FFh)</b><br>access using MOVX @ Ri/@ DPTR<br>0 - Internal XRAM access using MOVX @ Ri/@ DPTR.<br>1 - External data memory access.                            |
| 0          | A0           | <b>Disable/Enable ALE)</b><br>0 - ALE is emitted at a constant rate of 1/6 the oscillator frequency (or 1/3 if X2 mode is used)<br>1 - ALE is active only during a MOVX or MOVC instruction. |

Reset Value = X00X 1100b  
Not bit addressable

**Table 20.** AUXR1 Register

AUXR1 (S:A2h)  
Auxiliary Control Register 1

|   |   |        |   |     |   |   |     |
|---|---|--------|---|-----|---|---|-----|
| 7 | 6 | 5      | 4 | 3   | 2 | 1 | 0   |
| - | - | ENBOOT | - | GF3 | 0 | - | DPS |

| Bit Number | Bit Mnemonic          | Description   |
|------------|-----------------------|---|
| 7-6        | -                     | <b>Reserved</b><br>The value read from these bits is indeterminate. Do not set these bits.  |
| 5          | ENBOOT <sup>(1)</sup> | <b>Enable Boot Flash</b><br>Set this bit for map the boot Flash between F800h -FFFFh<br>Clear this bit for disable boot Flash.      |
| 4          | -                     | <b>Reserved</b><br>The value read from this bit is indeterminate. Do not set this bit.  |
| 3          | GF3                   | <b>General-purpose Flag 3</b>   |
| 2          | 0                     | <b>Always Zero</b><br>This bit is stuck to logic 0 to allow INC AUXR1 instruction without affecting GF3 flag.                       |
| 1          | -                     | <b>Reserved for Data Pointer Extension.</b>   |
| 0          | DPS                   | <b>Data Pointer Select Bit</b><br>Set to select second dual data pointer: DPTR1.<br>Clear to select first dual data pointer: DPTR0. |

Reset Value = XXXX 00X0b

Note: 1. ENBOOT is initialized with the invert BLJB at reset. See In-System Programming section.

## EEPROM Data Memory

The 2 KB on-chip EEPROM memory block is located at addresses 0000h to 07FFh of the XRAM/XRAM memory space and is selected by setting control bits in the EECON register. A read in the EEPROM memory is done with a MOVX instruction.

A physical write in the EEPROM memory is done in two steps: write data in the column latches and transfer of all data latches into an EEPROM memory row (programming).

The number of data written on the page may vary from 1 up to 128 Bytes (the page size). When programming, only the data written in the column latch is programmed and a ninth bit is used to obtain this feature. This provides the capability to program the whole memory by Bytes, by page or by a number of Bytes in a page. Indeed, each ninth bit is set when the writing the corresponding byte in a row and all these ninth bits are reset after the writing of the complete EEPROM row.

## Write Data in the Column Latches

Data is written by byte to the column latches as for an external RAM memory. Out of the 11 address bits of the data pointer, the 4 MSBs are used for page selection (row) and 7 are used for byte selection. Between two EEPROM programming sessions, all the addresses in the column latches must stay on the same page, meaning that the 4 MSB must no be changed.

The following procedure is used to write to the column latches:

- Save and disable interrupt.
- Set bit EEE of EECON register
- Load DPTR with the address to write
- Store A register with the data to be written
- Execute a MOVX @DPTR, A
- If needed loop the three last instructions until the end of a 128 Bytes page
- Restore interrupt.

Note: The last page address used when loading the column latch is the one used to select the page programming address.

## Programming

The EEPROM programming consists of the following actions:

- writing one or more Bytes of one page in the column latches. Normally, all Bytes must belong to the same page; if not, the last page address will be latched and the others discarded.
- launching programming by writing the control sequence (50h followed by A0h) to the EECON register.
- EEBUSY flag in EECON is then set by hardware to indicate that programming is in progress and that the EEPROM segment is not available for reading.
- The end of programming is indicated by a hardware clear of the EEBUSY flag.

Note: The sequence 5xh and Axh must be executed without instructions between then otherwise the programming is aborted.

## Read Data

The following procedure is used to read the data stored in the EEPROM memory:

- Save and disable interrupt
- Set bit EEE of EECON register
- Load DPTR with the address to read
- Execute a MOVX A, @DPTR
- Restore interrupt

## Examples

```

;F*****
;* NAME: api_rd_eeprom_byte
;* DPTR contain address to read.
;* Acc contain the reading value
;* NOTE: before execute this function, be sure the EEPROM is not BUSY
;*****
api_rd_eeprom_byte:
; Save and clear EA
MOV  EECON, #02h; map EEPROM in XRAM space
MOVX A, @DPTR
MOV  EECON, #00h; unmap EEPROM
; Restore EA
ret

;F*****
;* NAME: api_ld_eeprom_cl
;* DPTR contain address to load
;* Acc contain value to load
;* NOTE: in this example we load only 1 byte, but it is possible upto
;* 128 Bytes.
;* before execute this function, be sure the EEPROM is not BUSY
;*****
api_ld_eeprom_cl:
; Save and clear EA
MOV  EECON, #02h ; map EEPROM in XRAM space
MOVX @DPTR, A
MOVEECON, #00h; unmap EEPROM
; Restore EA
ret

;F*****
;* NAME: api_wr_eeprom
;* NOTE: before execute this function, be sure the EEPROM is not BUSY
;*****
api_wr_eeprom:
; Save and clear EA
MOV  EECON, #050h
MOV  EECON, #0A0h
; Restore EA
ret

```

## Registers

**Table 21.** EECON Register

EECON (S:0D2h)  
EEPROM Control Register

| 7          | 6            | 5   | 4     | 3 | 2 | 1   | 0      |
|------------|--------------|---|-------|---|---|-----|--------|
| EEPL3      | EEPL2        | EEPL1   | EEPL0 | - | - | EEE | EEBUSY |
| Bit Number | Bit Mnemonic | Description   |       |   |   |     |        |
| 7-4        | EEPL3-0      | <b>Programming Launch command bits</b><br>Write 5Xh followed by AXh to EEPL to launch the programming.  |       |   |   |     |        |
| 3          | -            | <b>Reserved</b><br>The value read from this bit is indeterminate. Do not set this bit.  |       |   |   |     |        |
| 2          | -            | <b>Reserved</b><br>The value read from this bit is indeterminate. Do not set this bit.  |       |   |   |     |        |
| 1          | EEE          | <b>Enable EEPROM Space bit</b><br>Set to map the EEPROM space during MOVX instructions (Write in the column latches)<br>Clear to map the XRAM space during MOVX.            |       |   |   |     |        |
| 0          | EEBUSY       | <b>Programming Busy flag</b><br>Set by hardware when programming is in progress.<br>Cleared by hardware when programming is done.<br>Can not be set or cleared by software. |       |   |   |     |        |

Reset Value = XXXX XX00b

Not bit addressable

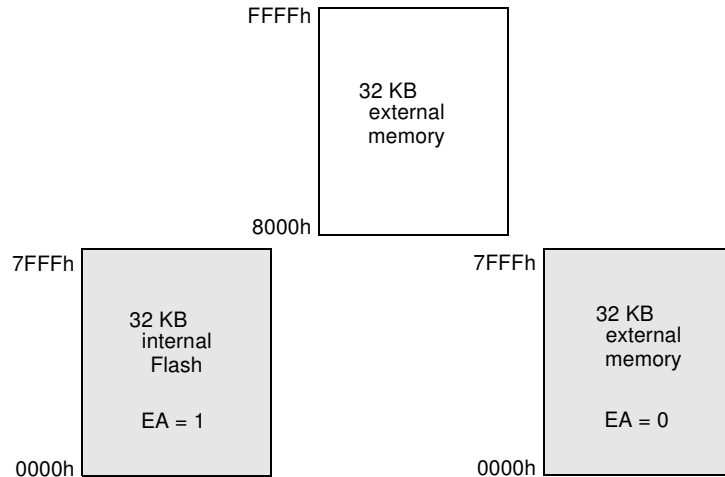


## Program/Code Memory

The A/T89C51AC2 implement 32 KB of on-chip program/code memory. Figure 17 shows the partitioning of internal and external program/code memory spaces depending on the product.

The Flash memory increases EPROM and ROM functionality by in-circuit electrical erasure and programming. Thanks to the internal charge pump, the high voltage needed for programming or erasing Flash cells is generated on-chip using the standard VDD voltage. Thus, the Flash Memory can be programmed using only one voltage and allows In-System-Programming commonly known as ISP. Hardware programming mode is also available using specific programming tool.

**Figure 17.** Program/Code Memory Organization



- Notes:
1. If the program executes exclusively from on-chip code memory (not from external memory), beware of executing code from the upper byte of on-chip memory (7FFFh) and thereby disrupt I/O Ports 0 and 2 due to external prefetch. Fetching code constant from this location does not affect Ports 0 and 2.
  2. Default factory programmed parts come with maximum hardware protection. Execution from external memory is not possible unless the Hardware Security Byte is reprogrammed. See Table 26.

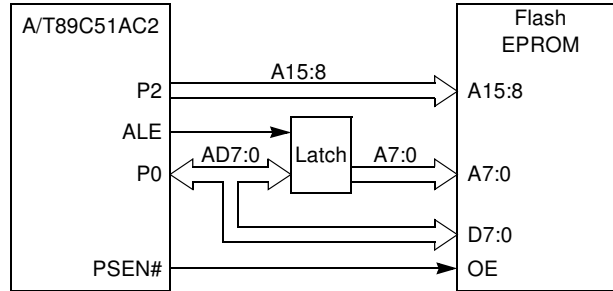
## External Code Memory Access

### Memory Interface

The external memory interface comprises the external bus (port 0 and port 2) as well as the bus control signals (PSEN#, and ALE).

Figure 18 shows the structure of the external address bus. P0 carries address A7:0 while P2 carries address A15:8. Data D7:0 is multiplexed with A7:0 on P0. Table 18 describes the external memory interface signals.

**Figure 18.** External Code Memory Interface Structure



**Table 22.** External Code Memory Interface Signals

| Signal Name | Type | Description  | Alternate Function |
|-------------|------|--|--------------------|
| A15:8       | O    | <b>Address Lines</b><br>Upper address lines for the external bus.  | P2.7:0             |
| AD7:0       | I/O  | <b>Address/Data Lines</b><br>Multiplexed lower address lines and data for the external memory.                                       | P0.7:0             |
| ALE         | O    | <b>Address Latch Enable</b><br>ALE signals indicates that valid address information are available on lines AD7:0.                    | -                  |
| PSEN#       | O    | <b>Program Store Enable Output</b><br>This signal is active low during external code fetch or external code read (MOVC instruction). | -                  |

### External Bus Cycles

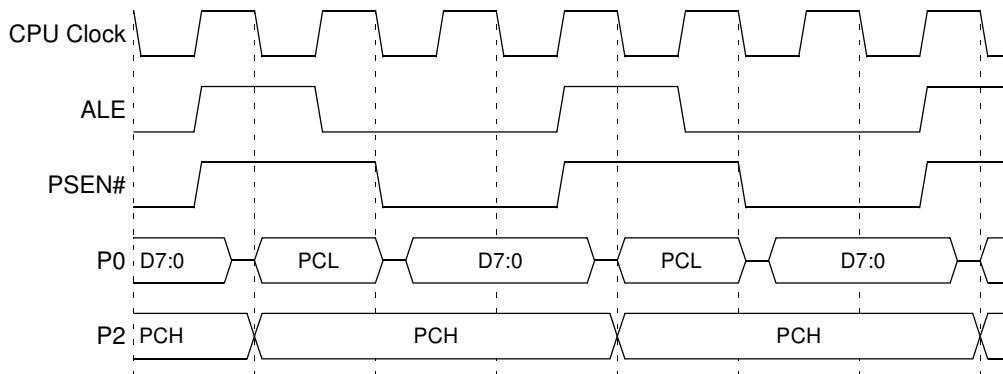
This section describes the bus cycles the A/T89C51AC2 executes to fetch code (see Figure 19) in the external program/code memory.

External memory cycle takes 6 CPU clock periods. This is equivalent to 12 oscillator clock period in standard mode or 6 oscillator clock periods in X2 mode. For further information on X2 mode see section "Clock".

For simplicity, the accompanying figure depicts the bus cycle waveforms in idealized form and do not provide precise timing information.

For bus cycling parameters refer to the 'AC-DC parameters' section.

Figure 19. External Code Fetch Waveforms



**Flash Memory Architecture**

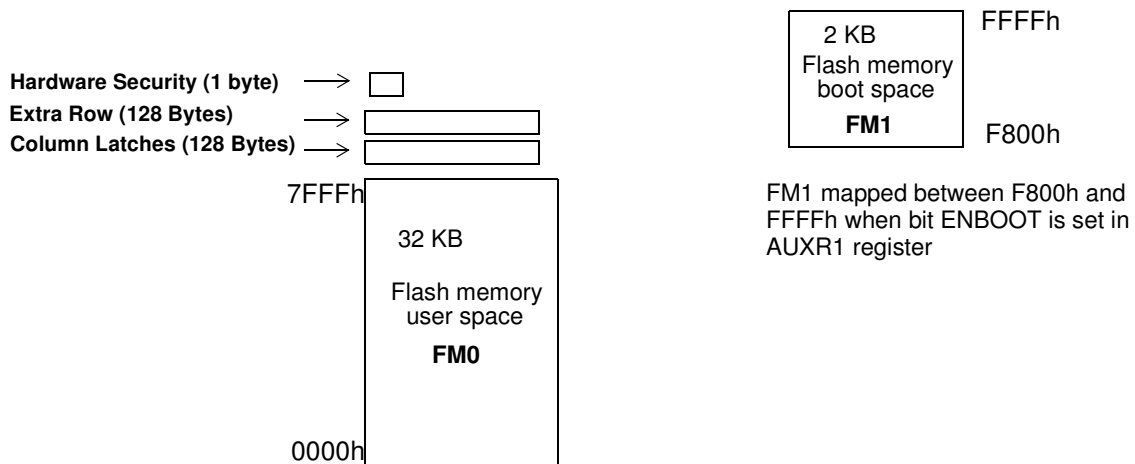
A/T89C51AC2 features two on-chip Flash memories:

- Flash memory FM0: containing 32 KB of program memory (user space) organized into 128 byte pages,
- Flash memory FM1: 2 KB for boot loader and Application Programming Interfaces (API).

The FM0 can be program by both parallel programming and Serial In-System-Programming (ISP) whereas FM1 supports only parallel programming by programmers. The ISP mode is detailed in the "In-System-Programming" section.

All Read/Write access operations on Flash Memory by user application are managed by a set of API described in the "In-System-Programming" section.

Figure 20. Flash Memory Architecture



## FM0 Memory Architecture

The Flash memory is made up of 4 blocks (see Figure 20):

- The memory array (user space) 32 KB
- The Extra Row
- The Hardware security bits
- The column latch registers

### User Space

This space is composed of a 32 KB Flash memory organized in 256 pages of 128 Bytes. It contains the user's application code.

### Extra Row (XRow)

This row is a part of FM0 and has a size of 128 Bytes. The extra row may contain information for boot loader usage.

### Hardware Security Byte

The Hardware security Byte space is a part of FM0 and has a size of 1 byte. The 4 MSB can be read/written by software, the 4 LSB can only be read by software and written by hardware in parallel mode.

### Column Latches

The column latches, also part of FM0, have a size of full page (128 Bytes). The column latches are the entrance buffers of the three previous memory locations (user array, XROW and Hardware security byte).

## Cross Flash Memory Access Description

The FM0 memory can be program only from FM1. Programming FM0 from FM0 or from external memory is impossible.

The FM1 memory can be program only by parallel programming.

The Table 23 show all software Flash access allowed.

**Table 23.** Cross Flash Memory Access

|                     |                              | Action            | FM0          | FM1          |
|---------------------|------------------------------|-------------------|--------------|--------------|
|                     |                              |                   | (user Flash) | (boot Flash) |
| Code executing from | FM0<br>(user Flash)          | Read              | ok           | -            |
|                     |                              | Load column latch | ok           | -            |
|                     |                              | Write             | -            | -            |
|                     | FM1<br>(boot Flash)          | Read              | ok           | ok           |
|                     |                              | Load column latch | ok           | -            |
|                     |                              | Write             | ok           | -            |
|                     | External<br>memory<br>EA = 0 | Read              | -            | -            |
|                     |                              | Load column latch | -            | -            |
|                     |                              | Write             | -            | -            |

## Overview of FM0 Operations

The CPU interfaces to the Flash memory through the FCON register and AUXR1 register.

These registers are used to:

- Map the memory spaces in the addressable space
- Launch the programming of the memory spaces
- Get the status of the Flash memory (busy/not busy)

## Mapping of the Memory Space

By default, the user space is accessed by MOVC instruction for read only. The column latches space is made accessible by setting the FPS bit in FCON register. Writing is possible from 0000h to 7FFFh, address bits 6 to 0 are used to select an address within a page while bits 14 to 7 are used to select the programming address of the page. Setting FPS bit takes precedence on the EXTRAM bit in AUXR register.

The other memory spaces (user, extra row, hardware security) are made accessible in the code segment by programming bits FMOD0 and FMOD1 in FCON register in accordance with Table 24. A MOVC instruction is then used for reading these spaces.

**Table 24.** FM0 Blocks Select Bits

| FMOD1 | FMOD0 | FM0 Adressable space           |
|-------|-------|--------------------------------|
| 0     | 0     | User (0000h-7FFFh)             |
| 0     | 1     | Extra Row(FF80h-FFFFh)         |
| 1     | 0     | Hardware Security Byte (0000h) |
| 1     | 1     | Reserved                       |

## Launching Programming

FPL3:0 bits in FCON register are used to secure the launch of programming. A specific sequence must be written in these bits to unlock the write protection and to launch the programming. This sequence is 5xh followed by Axh. Table 25 summarizes the memory spaces to program according to FMOD1:0 bits.

**Table 25.** Programming Spaces

|                               | Write to FCON |     |       |       | Operation                                   |
|-------------------------------|---------------|-----|-------|-------|---|
|                               | FPL3:0        | FPS | FMOD1 | FMOD0 |   |
| <b>User</b>                   | 5             | X   | 0     | 0     | No action                                   |
|                               | A             | X   | 0     | 0     | Write the column latches in user space      |
| <b>Extra Row</b>              | 5             | X   | 0     | 1     | No action                                   |
|                               | A             | X   | 0     | 1     | Write the column latches in extra row space |
| <b>Hardware Security Byte</b> | 5             | X   | 1     | 0     | No action                                   |
|                               | A             | X   | 1     | 0     | Write the fuse bits space                   |
| <b>Reserved</b>               | 5             | X   | 1     | 1     | No action                                   |
|                               | A             | X   | 1     | 1     | No action                                   |

- Notes:
1. The sequence 5xh and Axh must be executing without instructions between them otherwise the programming is aborted.
  2. Interrupts that may occur during programming time must be disabled to avoid any spurious exit of the programming mode.

**Status of the Flash Memory**

The bit FBUSY in FCON register is used to indicate the status of programming. FBUSY is set when programming is in progress.

**Selecting FM1**

The bit ENBOOT in AUXR1 register is used to map FM1 from F800h to FFFFh.

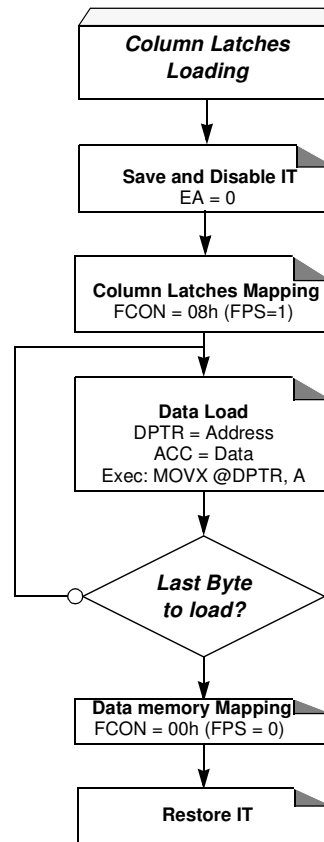
**Loading the Column Latches**

Any number of data from 1 Byte to 128 Bytes can be loaded in the column latches. This provides the capability to program the whole memory by byte, by page or by any number of Bytes in a page.

When programming is launched, an automatic erase of the locations loaded in the column latches is first performed, then programming is effectively done. Thus no page or block erase is needed and only the loaded data are programmed in the corresponding page.

The following procedure is used to load the column latches and is summarized in Figure 21:

- Save then disable interrupt and map the column latch space by setting FPS bit.
- Load the DPTR with the address to load.
- Load Accumulator register with the data to load.
- Execute the MOVX @DPTR, A instruction.
- If needed loop the three last instructions until the page is completely loaded.
- Unmap the column latch and Restore Interrupt

**Figure 21.** Column Latches Loading Procedure

Note: The last page address used when loading the column latch is the one used to select the page programming address.

## Programming the Flash Spaces

### User

The following procedure is used to program the User space and is summarized in Figure 22:

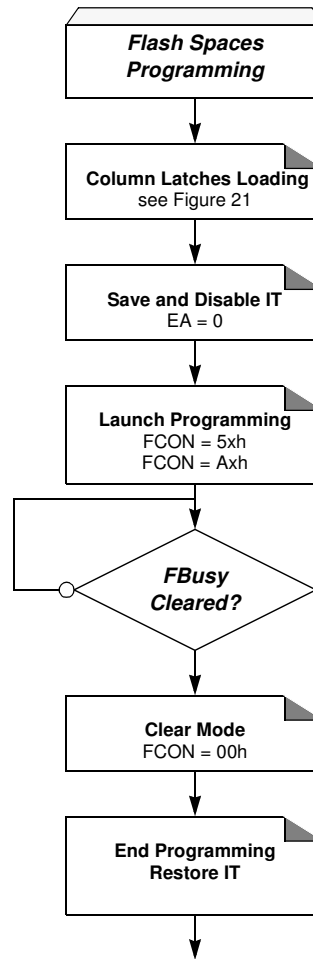
- Load up to one page of data in the column latches from address 0000h to 7FFFh.
- Save then disable the interrupts.
- Launch the programming by writing the data sequence 50h followed by A0h in FCON register (only from FM1).  
The end of the programming indicated by the FBUSY flag cleared.
- Restore the interrupts.

### Extra Row

The following procedure is used to program the Extra Row space and is summarized in Figure 22:

- Load data in the column latches from address FF80h to FFFFh.
- Save then disable the interrupts.
- Launch the programming by writing the data sequence 52h followed by A2h in FCON register. This step of the procedure must be executed from FM1. The end of the programming indicated by the FBUSY flag cleared.  
The end of the programming indicated by the FBUSY flag cleared.
- Restore the interrupts.

**Figure 22.** Flash and Extra Row Programming Procedure



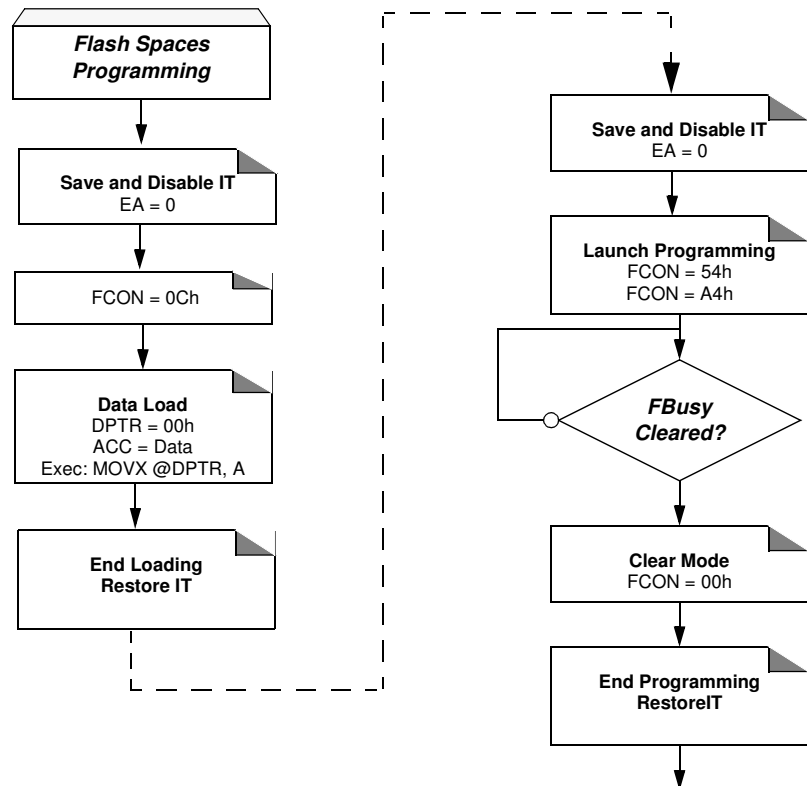
#### Hardware Security Byte

The following procedure is used to program the Hardware Security Byte space and is summarized in Figure 23:

- Set FPS and map Hardware byte (FCON = 0x0C)
- Save and disable the interrupts.
- Load DPTR at address 0000h.
- Load Accumulator register with the data to load.
- Execute the MOVX @DPTR, A instruction.
- Launch the programming by writing the data sequence 54h followed by A4h in FCON register. This step of the procedure must be executed from FM1. The end of the programming indicated by the FBUSY flag cleared. The end of the programming indicated by the FBusy flag cleared.
- Restore the interrupts.



Figure 23. Hardware Programming Procedure



**Reading the Flash Spaces**

*User*

The following procedure is used to read the User space:

- Read one byte in Accumulator by executing `MOVC A,@A+DPTR` where `A+DPTR` is the address of the code byte to read.

Note: FCON is supposed to be reset when not needed.

*Extra Row*

The following procedure is used to read the Extra Row space and is summarized in Figure 24:

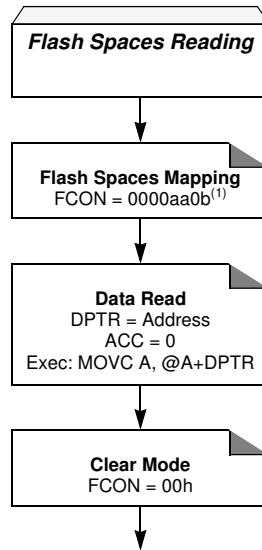
- Map the Extra Row space by writing 02h in FCON register.
- Read one byte in Accumulator by executing `MOVC A,@A+DPTR` with `A = 0` and `DPTR = FF80h to FFFFh`.
- Clear FCON to unmap the Extra Row.

*Hardware Security Byte*

The following procedure is used to read the Hardware Security space and is summarized in Figure 24:

- Map the Hardware Security space by writing 04h in FCON register.
- Read the byte in Accumulator by executing `MOVC A,@A+DPTR` with `A = 0` and `DPTR = 0000h`.
- Clear FCON to unmap the Hardware Security Byte.

**Figure 24.** Reading Procedure



Note: 1. aa = 10 for the Hardware Security Byte.

**Flash Protection from Parallel Programming**

The three lock bits in Hardware Security Byte (see "In-System-Programming" section) are programmed according to Table 26 provide different level of protection for the on-chip code and data located in FM0 and FM1.

The only way to write these bits are the parallel mode. They are set by default to level 4

**Table 26.** Program Lock bit

| Program Lock Bits |     |     |     | Protection Description   |
|-------------------|-----|-----|-----|--|
| Security Level    | LB0 | LB1 | LB2 |  |
| 1                 | U   | U   | U   | No program lock features enabled. MOVC instruction executed from external program memory returns non coded data.   |
| 2                 | P   | U   | U   | MOVC instructions executed from external program memory are barred to return code bytes from internal memory, EA is sampled and latched on reset, and further parallel programming of the Flash is disabled. |
| 3                 | U   | P   | U   | Same as 2, also verify through parallel programming interface is disabled.   |
| 4                 | U   | U   | P   | Same as 3, also external execution is disabled if code roll over beyond 7FFFh  |

Program Lock bits

U: unprogrammed

P: programmed

WARNING: Security level 2 and 3 should only be programmed after Flash and Core verification.

**Preventing Flash Corruption**

See the "Power Management" section.

**Registers**

FCON Register FCON (S:D1h)

Flash Control Register

| 7          | 6            | 5   | 4    | 3   | 2     | 1     | 0     |
|------------|--------------|---|------|-----|-------|-------|-------|
| FPL3       | FPL2         | FPL1  | FPL0 | FPS | FMOD1 | FMOD0 | FBUSY |
| Bit Number | Bit Mnemonic | Description   |      |     |       |       |       |
| 7-4        | FPL3:0       | <b>Programming Launch Command Bits</b><br>Write 5Xh followed by AXh to launch the programming according to FMOD1:0 (see Table 25)                       |      |     |       |       |       |
| 3          | FPS          | <b>Flash Map Program Space</b><br>Set to map the column latch space in the data memory space.<br>Clear to re-map the data memory space.                 |      |     |       |       |       |
| 2-1        | FMOD1:0      | <b>Flash Mode</b><br>See Table 24 or Table 25.  |      |     |       |       |       |
| 0          | FBUSY        | <b>Flash Busy</b><br>Set by hardware when programming is in progress.<br>Clear by hardware when programming is done.<br>Can not be changed by software. |      |     |       |       |       |

Reset Value = 0000 0000b

## Operation Cross Memory Access

Space addressable in read and write are:

- RAM
- ERAM (Expanded RAM access by movx)
- XRAM (eXternal RAM)
- EEPROM DATA
- FM0 (user flash)
- Hardware byte
- XROW
- Boot Flash
- Flash Column latch

The table below provide the different kind of memory which can be accessed from different code location.

**Table 27.** Cross Memory Access

|  | Action | RAM | XRAM<br>ERAM | Boot FLASH | FM0               | E <sup>2</sup> Data | Hardware<br>Byte  | XROW              |
|--|--------|-----|--------------|------------|-------------------|---------------------|-------------------|-------------------|
| boot FLASH   | Read   |     |              | OK         | OK                | OK                  | OK                | -                 |
|  | Write  |     |              | -          | OK <sup>(1)</sup> | OK <sup>(1)</sup>   | OK <sup>(1)</sup> | OK <sup>(1)</sup> |
| FM0  | Read   |     |              | OK         | OK                | OK                  | OK                | -                 |
|  | Write  |     |              | -          | OK (idle)         | OK <sup>(1)</sup>   | -                 | OK                |
| External<br>memory<br>EA = 0<br>or Code Roll<br>Over | Read   |     |              | -          | -                 | OK                  | -                 | -                 |
|  | Write  |     |              | -          | -                 | OK <sup>(1)</sup>   | -                 | -                 |

Note: 1. RWW: Read While Write

Sharing Instructions

Table 28. Instructions shared

| Action | RAM | XRAM<br>ERAM | EEPROM<br>DATA | Boot<br>FLASH | FM0   | Hardware<br>Byte | XROW  |
|--------|-----|--------------|----------------|---------------|-------|------------------|-------|
| Read   | MOV | MOVX         | MOVX           | MOVC          | MOVC  | MOVC             | MOVC  |
| Write  | MOV | MOVX         | MOVX           | -             | by cl | by cl            | by cl |

Note: by cl: using Column Latch

Table 29. Read MOVX A, @DPTR

| EEE bit in<br>EECON<br>Register | FPS in<br>FCON Register | ENBOOT | EA | XRAM<br>ERAM | EEPROM<br>DATA | Flash<br>Column<br>Latch |
|---------------------------------|-------------------------|--------|----|--------------|----------------|--------------------------|
| 0                               | 0                       | X      | X  | OK           |                |                          |
| 0                               | 1                       | X      | X  | OK           |                |                          |
| 1                               | 0                       | X      | X  |              | OK             |                          |
| 1                               | 1                       | X      | X  | OK           |                |                          |

Table 30. Write MOVX @DPTR,A

| EEE bit in<br>EECON<br>Register | FPS bit in<br>FCON Register | ENBOOT | EA | XRAM<br>ERAM | EEPROM<br>Data | Flash<br>Column<br>Latch |
|---------------------------------|-----------------------------|--------|----|--------------|----------------|--------------------------|
| 0                               | 0                           | X      | X  | OK           |                |                          |
| 0                               | 1                           | X      | 1  |              |                | OK                       |
|                                 |                             |        | 0  | OK           |                |                          |
| 1                               | 0                           | X      | X  |              | OK             |                          |
| 1                               | 1                           | X      | 1  |              |                | OK                       |
|                                 |                             |        | 0  | OK           |                |                          |

**Table 31.** Read MOVC A, @DPTR

| Code Execution                               | FCON Register           |       |     | ENBOOT | DPTR                                | FM1                                 | FM0 | XROW | Hardware Byte | External Code |    |  |
|--|-------------------------|-------|-----|--------|-------------------------------------|-------------------------------------|-----|------|---------------|---------------|----|--|
|  | FMOD1                   | FMOD0 | FPS |        |                                     |                                     |     |      |               |               |    |  |
| From FM0                                     | 0                       | 0     | X   | 0      | 0000h to 7FFFh                      |                                     | OK  |      |               |               |    |  |
|  |                         |       |     | 1      | 0000h to 7FFFh                      |                                     | OK  |      |               |               |    |  |
|  |                         |       |     |        | F800h to FFFFh                      | Do not use this configuration       |     |      |               |               |    |  |
|  | 0                       | 1     | X   | X      | 0000 to 007Fh<br>See <sup>(1)</sup> |                                     |     | OK   |               |               |    |  |
|  | 1                       | 0     | X   | X      | X                                   |                                     |     |      | OK            |               |    |  |
|  | 1                       | 1     | X   | 0      | 000h to 7FFFh                       |                                     | OK  |      |               |               |    |  |
|  |                         |       |     | 1      | 0000h to 7FFFh                      |                                     | OK  |      |               |               |    |  |
|  |                         |       |     |        | F800h to FFFFh                      | Do not use this configuration       |     |      |               |               |    |  |
|  | From FM1<br>(ENBOOT =1) | 0     | 0   | 0      | 1                                   | 0000h to 7FFF                       |     | OK   |               |               |    |  |
|  |                         |       |     |        | 0                                   | F800h to FFFFh                      | OK  |      |               |               |    |  |
| 1  |                         |       |     | 0      | X                                   | NA                                  |     |      |               |               |    |  |
|  |                         |       |     | 1      | X                                   |                                     | OK  |      |               |               |    |  |
| 0  |                         | 1     | X   | 1      | 0                                   | 0000h to 007h<br>See <sup>(2)</sup> |     |      | OK            |               |    |  |
|  |                         |       |     |        | 0                                   | NA                                  |     |      |               |               |    |  |
|  |                         |       |     | 1      | 1                                   | X                                   |     |      |               | OK            |    |  |
|  |                         |       |     |        | 0                                   | X                                   | NA  |      |               |               |    |  |
| 1  |                         | 1     | X   | 1      | 000h to 7FFFh                       |                                     | OK  |      |               |               |    |  |
|  |                         |       |     | 0      |                                     | NA                                  |     |      |               |               |    |  |
| External code :<br>EA=0 or Code<br>Roll Over |                         | X     | 0   | X      | X                                   | X                                   |     |      |               |               | OK |  |

1. For DPTR higher than 007Fh only lowest 7 bits are decoded, thus the behavior is the same as for addresses from 0000h to 007Fh
2. For DPTR higher than 007Fh only lowest 7 bits are decoded, thus the behavior is the same as for addresses from 0000h to 007Fh

## In-System Programming (ISP)

With the implementation of the User Space (FM0) and the Boot Space (FM1) in Flash technology the A/T89C51AC2 allows the system engineer the development of applications with a very high level of flexibility. This flexibility is based on the possibility to alter the customer program at any stages of a product's life:

- Before mounting the chip on the PCB, FM0 Flash can be programmed with the application code. FM1 is always preprogrammed by Atmel with a bootloader (UART bootloader).<sup>(1)</sup>
- Once the chip is mounted on the PCB, it can be programmed by serial mode via the UART.

Note: 1. The user can also program his own bootloader in FM1.

This In-System-Programming (ISP) allows code modification over the total lifetime of the product.

Besides the default Boot loader Atmel provide to the customer also all the needed Application-Programming-Interfaces (API) which are needed for the ISP. The API are located also in the Boot memory.

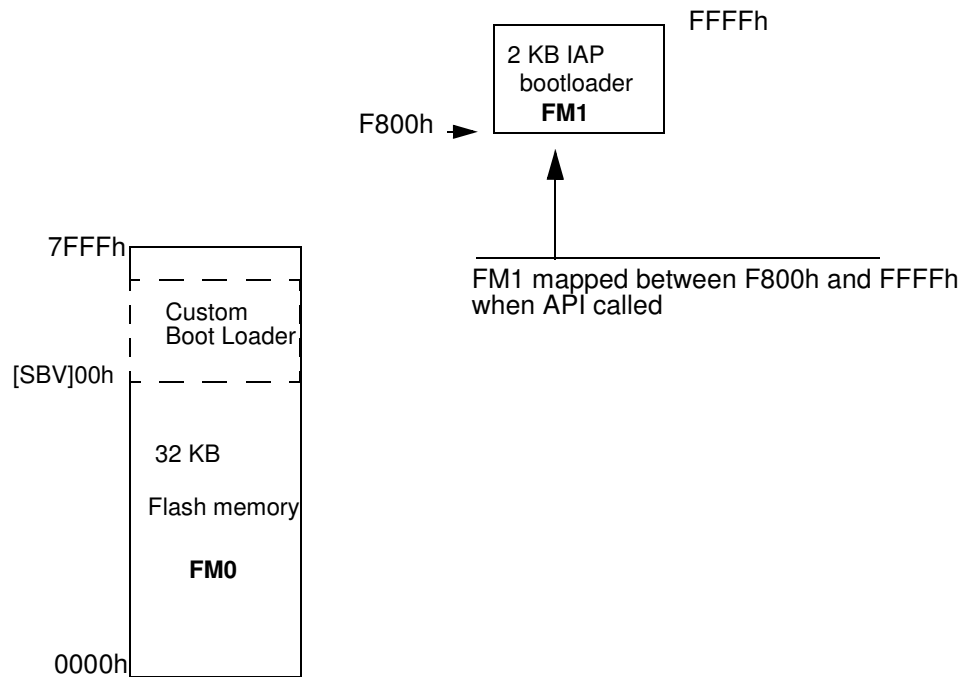
This allow the customer to have a full use of the 32 KB user memory.

## Flash Programming and Erasure

There are three methods of programming the Flash memory:

- The Atmel bootloader located in FM1 is activated by the application. Low level API routines (located in FM1) will be used to program FM0. The interface used for serial downloading to FM0 is the UART. API can be called also by the user's bootloader located in FM0 at [SBV]00h.
- A further method exists in activating the Atmel boot loader by hardware activation. See Section "Hardware Security Byte".
- The FM0 can be programmed also by the parallel mode using a programmer.

Figure 25. Flash Memory Mapping



## Boot Process

### Software Boot Process Example

Many algorithms can be used for the software boot process. Below are descriptions of the different flags and Bytes.

Boot Loader Jump Bit (BLJB):

- This bit indicates if on RESET the user wants to jump to this application at address @0000h on FM0 or execute the boot loader at address @F800h on FM1.
- BLJB = 0 (i.e. bootloader FM1 executed after a reset) is the default Atmel factory programming.
- To read or modify this bit, the APIs are used.

Boot Vector Address (SBV):

- This byte contains the MSB of the user boot loader address in FM0.
- The default value of SBV is FCh (no user boot loader in FM0).
- To read or modify this byte, the APIs are used.

Extra Byte (EB) and Boot Status Byte (BSB):

- These Bytes are reserved for customer use.
- To read or modify these Bytes, the APIs are used.

### Hardware Boot Process

At the falling edge of RESET, the bit ENBOOT in AUXR1 register is initialized with the value of Boot Loader Jump Bit (BLJB).

Further at the falling edge of RESET if the following conditions (called Hardware condition) are detected. The FCON register is initialized with the value 00h and the PC is initialized with F800h (FM1 lower byte = Bootloader entry point).

Hardware Conditions:

- PSEN low<sup>(1)</sup>
- EA high,
- ALE high (or not connected).

The Hardware condition forces the bootloader to be executed, whatever BLJB value is. Then BLJB will be checked.

If no hardware condition is detected, the FCON register is initialized with the value F0h. Then BLJB value will be checked.

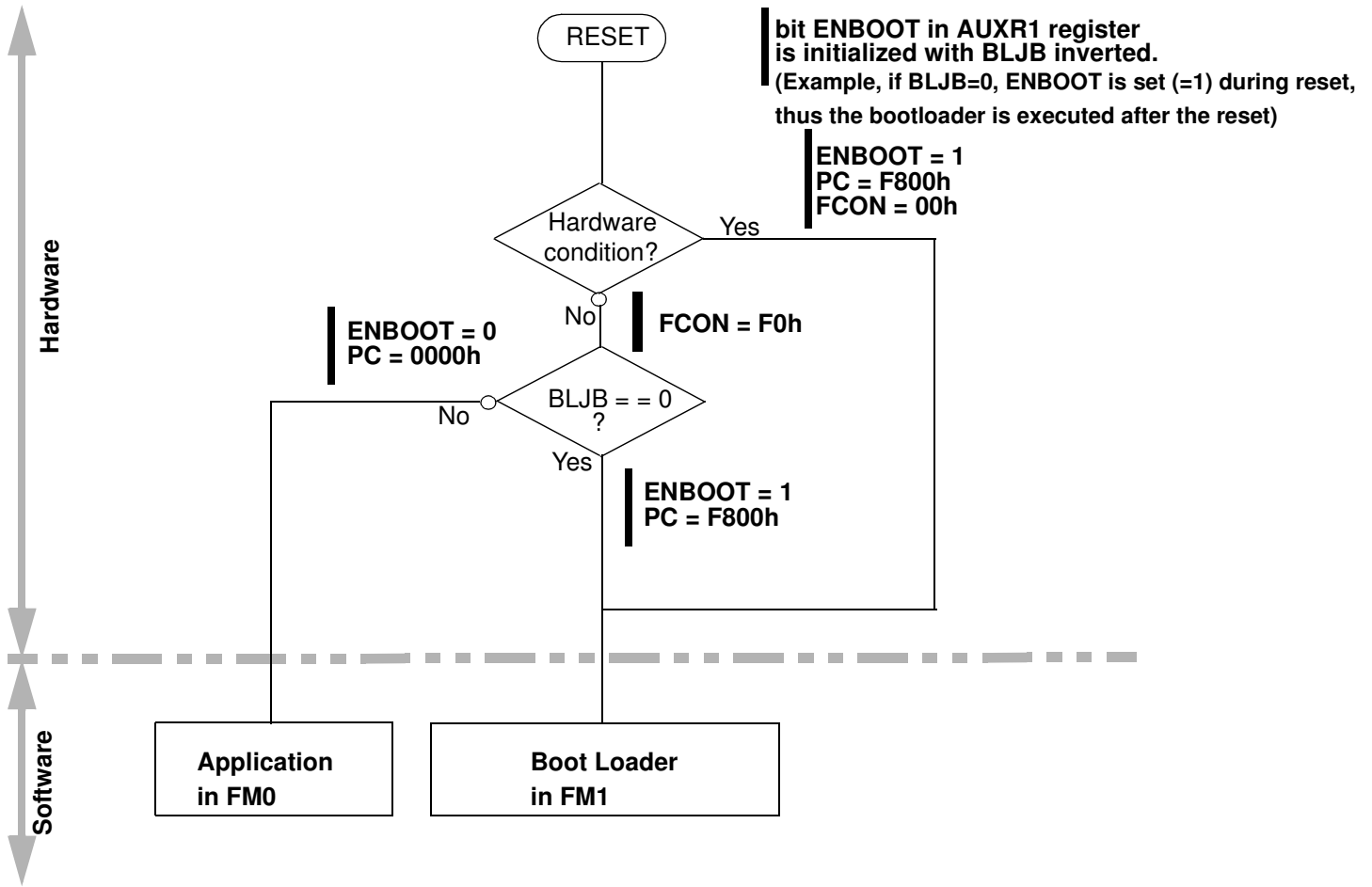
Conditions are:

- If bit BLJB = 1:  
User application in FM0 will be started at @0000h (standard reset).
- If bit BLJB = 0:  
Boot loader will be started at @F800h in FM1.

- Note:
1. As PSEN is an output port in normal operating mode (running user applications or bootloader applications) after reset it is recommended to release PSEN after the falling edge of Reset is signaled.  
The hardware conditions are sampled at reset signal Falling Edge, thus they can be released at any time when reset input is low.
  2. To ensure correct microcontroller startup, the PSEN pin should not be tied to ground during power-on.



Figure 26. Hardware Boot Process Algorithm



**Application Programming Interface**

Several Application Program Interface (API) calls are available for use by an application program to permit selective erasing and programming of Flash pages. All calls are made by functions.

All of these APIs are described in detail in the following documents on the Atmel web site.

- Datasheet Bootloader UART A/T89C51AC2

**XROW Bytes**

Table 32. XROW Mapping

| Description                                     | Default Value | Address |
|---|---------------|---------|
| Copy of the Manufacturer Code                   | 58h           | 30h     |
| Copy of the Device ID#1: Family code            | D7h           | 31h     |
| Copy of the Device ID#2: Memories size and type | F7h           | 60h     |
| Copy of the Device ID#3: Name and Revision      | FFh           | 61h     |

## Hardware Security Byte

**Table 33.** Hardware Security Byte

| 7          | 6            | 5  | 4 | 3 | 2   | 1   | 0   |
|------------|--------------|--|---|---|-----|-----|-----|
| X2B        | BLJB         | -  | - | - | LB2 | LB1 | LB0 |
| Bit Number | Bit Mnemonic | Description  |   |   |     |     |     |
| 7          | X2B          | <b>X2 Bit</b><br>Set this bit to start in standard mode.<br>Clear this bit to start in X2 mode.  |   |   |     |     |     |
| 6          | BLJB         | <b>Boot Loader JumpBit</b><br>- 1: To start the user's application on next RESET (@0000h) located in FM0,<br>- 0: To start the boot loader(@F800h) located in FM1. |   |   |     |     |     |
| 5-3        | -            | <b>Reserved</b><br>The value read from these bits are indeterminate.   |   |   |     |     |     |
| 2-0        | LB2:0        | <b>Lock Bits</b>   |   |   |     |     |     |

After erasing the chip in parallel mode, the default value is : FFh

The erasing in ISP mode (from bootloader) does not modify this byte.

Notes: 1. Only the 4 MSB bits can be accessed by software.

2. The 4 LSB bits can only be accessed by parallel mode.

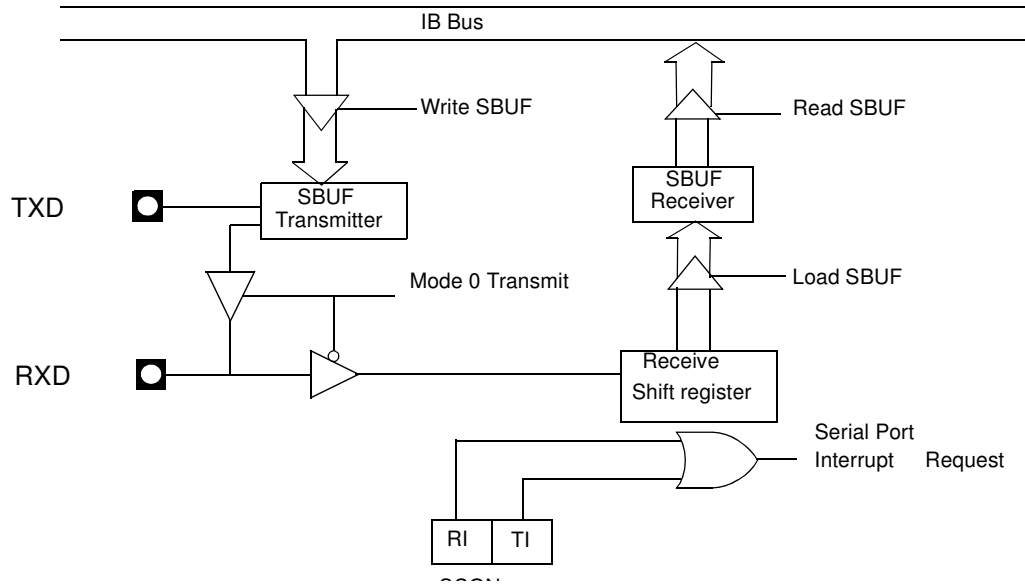
## Serial I/O Port

The A/T89C51AC2 I/O serial port is compatible with the I/O serial port in the 80C52. It provides both synchronous and asynchronous communication modes. It operates as a Universal Asynchronous Receiver and Transmitter (UART) in three full-duplex modes (Modes 1, 2 and 3). Asynchronous transmission and reception can occur simultaneously and at different baud rates

Serial I/O port includes the following enhancements:

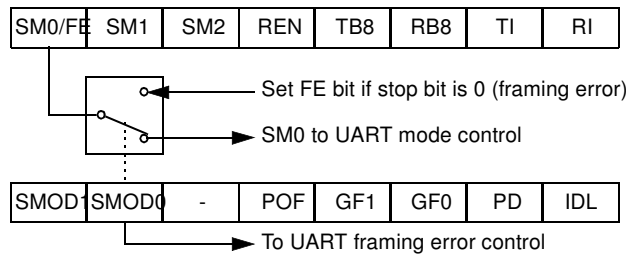
- Framing error detection
- Automatic address recognition

Figure 27. Serial I/O Port Block Diagram



**Framing Error Detection** Framing bit error detection is provided for the three asynchronous modes. To enable the framing bit error detection feature, set SMOD0 bit in PCON register.

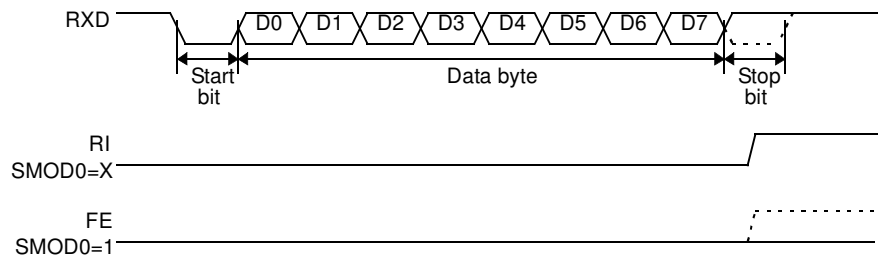
Figure 28. Framing Error Block Diagram



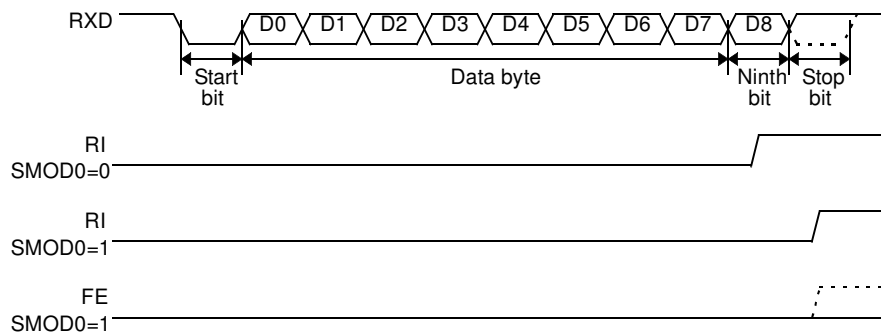
When this feature is enabled, the receiver checks each incoming data frame for a valid stop bit. An invalid stop bit may result from noise on the serial lines or from simultaneous transmission by two CPUs. If a valid stop bit is not found, the Framing Error bit (FE) in SCON register bit is set.

The software may examine the FE bit after each reception to check for data errors. Once set, only software or a reset clears the FE bit. Subsequently received frames with valid stop bits cannot clear the FE bit. When the FE feature is enabled, RI rises on the stop bit instead of the last data bit (See Figure 29. and Figure 30.).

**Figure 29.** UART Timing in Mode 1



**Figure 30.** UART Timing in Modes 2 and 3



## Automatic Address Recognition

The automatic address recognition feature is enabled when the multiprocessor communication feature is enabled (SM2 bit in SCON register is set).

Implemented in the hardware, automatic address recognition enhances the multiprocessor communication feature by allowing the serial port to examine the address of each incoming command frame. Only when the serial port recognizes its own address will the receiver set the RI bit in the SCON register to generate an interrupt. This ensures that the CPU is not interrupted by command frames addressed to other devices.

If necessary, you can enable the automatic address recognition feature in mode 1. In this configuration, the stop bit takes the place of the ninth data bit. Bit RI is set only when the received command frame address matches the device's address and is terminated by a valid stop bit.

To support automatic address recognition, a device is identified by a given address and a broadcast address.

Note: The multiprocessor communication and automatic address recognition features cannot be enabled in mode 0 (i.e. setting SM2 bit in SCON register in mode 0 has no effect).

## Given Address

Each device has an individual address that is specified in the SADDR register; the SADEN register is a mask byte that contains don't-care bits (defined by zeros) to form the device's given address. The don't-care bits provide the flexibility to address one or more slaves at a time. The following example illustrates how a given address is formed. To address a device by its individual address, the SADEN mask byte must be 1111 1111b.

For example:

```
SADDR0101 0110b
SADEN1111 1100b
Given0101 01XXb
```

Here is an example of how to use given addresses to address different slaves:

```
Slave A:SADDR1111 0001b
SADEN1111 1010b
Given1111 0X0Xb
```

```
Slave B:SADDR1111 0011b
SADEN1111 1001b
Given1111 0XX1b
```

```
Slave C:SADDR1111 0011b
SADEN1111 1101b
Given1111 00X1b
```

The SADEN byte is selected so that each slave may be addressed separately.

For slave A, bit 0 (the LSB) is a don't-care bit; for slaves B and C, bit 0 is a 1. To communicate with slave A only, the master must send an address where bit 0 is clear (e.g. 1111 0000b).

For slave A, bit 1 is a 0; for slaves B and C, bit 1 is a don't care bit. To communicate with slaves A and B, but not slave C, the master must send an address with bits 0 and 1 both set (e.g. 1111 0011b).

To communicate with slaves A, B and C, the master must send an address with bit 0 set, bit 1 clear, and bit 2 clear (e.g. 1111 0001b).

## Broadcast Address

A broadcast address is formed from the logical OR of the SADDR and SADEN registers with zeros defined as don't-care bits, e.g.:

```
SADDR 0101 0110b
SADEN 1111 1100b
SADDR OR SADEN1111 111Xb
```

The use of don't-care bits provides flexibility in defining the broadcast address, however in most applications, a broadcast address is FFh. The following is an example of using broadcast addresses:

```
Slave A:SADDR1111 0001b
SADEN1111 1010b
Given1111 1X11b,
```

```
Slave B:SADDR1111 0011b
SADEN1111 1001b
Given1111 1X11B,
```

```
Slave C:SADDR=1111 0010b
SADEN1111 1101b
Given1111 1111b
```

For slaves A and B, bit 2 is a don't care bit; for slave C, bit 2 is set. To communicate with all of the slaves, the master must send an address FFh. To communicate with slaves A and B, but not slave C, the master can send an address FBh.

## Registers

**Table 34.** SCON Register

SCON (S:98h)  
Serial Control Register

| 7          | 6            | 5  | 4  | 3   | 2   | 1  | 0  |     |     |      |           |   |   |                |  |   |   |            |          |   |   |            |                                |   |   |            |          |
|------------|--------------|--|--|-----|-----|----|----|-----|-----|------|-----------|---|---|----------------|--|---|---|------------|----------|---|---|------------|--------------------------------|---|---|------------|----------|
| FE/SM0     | SM1          | SM2  | REN  | TB8 | RB8 | TI | RI |     |     |      |           |   |   |                |  |   |   |            |          |   |   |            |                                |   |   |            |          |
| Bit Number | Bit Mnemonic | Description  |  |     |     |    |    |     |     |      |           |   |   |                |  |   |   |            |          |   |   |            |                                |   |   |            |          |
| 7          | FE           | <b>Framing Error bit (SMOD0=1)</b><br>Clear to reset the error state, not cleared by a valid stop bit.<br>Set by hardware when an invalid stop bit is detected.  |  |     |     |    |    |     |     |      |           |   |   |                |  |   |   |            |          |   |   |            |                                |   |   |            |          |
|            | SM0          | <b>Serial port Mode bit 0 (SMOD0=0)</b><br>Refer to SM1 for serial port mode selection.  |  |     |     |    |    |     |     |      |           |   |   |                |  |   |   |            |          |   |   |            |                                |   |   |            |          |
| 6          | SM1          | <b>Serial port Mode bit 1</b><br><table border="1"> <thead> <tr> <th>SM0</th> <th>SM1</th> <th>Mode</th> <th>Baud Rate</th> </tr> </thead> <tbody> <tr> <td>0</td> <td>0</td> <td>Shift Register</td> <td><math>F_{XTAL}/12</math> (or <math>F_{XTAL}/6</math> in mode X2)</td> </tr> <tr> <td>0</td> <td>1</td> <td>8-bit UART</td> <td>Variable</td> </tr> <tr> <td>1</td> <td>0</td> <td>9-bit UART</td> <td><math>F_{XTAL}/64</math> or <math>F_{XTAL}/32</math></td> </tr> <tr> <td>1</td> <td>1</td> <td>9-bit UART</td> <td>Variable</td> </tr> </tbody> </table> |  |     |     |    |    | SM0 | SM1 | Mode | Baud Rate | 0 | 0 | Shift Register | $F_{XTAL}/12$ (or $F_{XTAL}/6$ in mode X2) | 0 | 1 | 8-bit UART | Variable | 1 | 0 | 9-bit UART | $F_{XTAL}/64$ or $F_{XTAL}/32$ | 1 | 1 | 9-bit UART | Variable |
| SM0        | SM1          | Mode   | Baud Rate                                  |     |     |    |    |     |     |      |           |   |   |                |  |   |   |            |          |   |   |            |                                |   |   |            |          |
| 0          | 0            | Shift Register   | $F_{XTAL}/12$ (or $F_{XTAL}/6$ in mode X2) |     |     |    |    |     |     |      |           |   |   |                |  |   |   |            |          |   |   |            |                                |   |   |            |          |
| 0          | 1            | 8-bit UART   | Variable                                   |     |     |    |    |     |     |      |           |   |   |                |  |   |   |            |          |   |   |            |                                |   |   |            |          |
| 1          | 0            | 9-bit UART   | $F_{XTAL}/64$ or $F_{XTAL}/32$             |     |     |    |    |     |     |      |           |   |   |                |  |   |   |            |          |   |   |            |                                |   |   |            |          |
| 1          | 1            | 9-bit UART   | Variable                                   |     |     |    |    |     |     |      |           |   |   |                |  |   |   |            |          |   |   |            |                                |   |   |            |          |
| 5          | SM2          | <b>Serial port Mode 2 bit/Multiprocessor Communication Enable bit</b><br>Clear to disable multiprocessor communication feature.<br>Set to enable multiprocessor communication feature in mode 2 and 3.   |  |     |     |    |    |     |     |      |           |   |   |                |  |   |   |            |          |   |   |            |                                |   |   |            |          |
| 4          | REN          | <b>Reception Enable bit</b><br>Clear to disable serial reception.<br>Set to enable serial reception.   |  |     |     |    |    |     |     |      |           |   |   |                |  |   |   |            |          |   |   |            |                                |   |   |            |          |
| 3          | TB8          | <b>Transmitter Bit 8/Ninth bit to transmit in modes 2 and 3</b><br>Clear to transmit a logic 0 in the 9th bit.<br>Set to transmit a logic 1 in the 9th bit.  |  |     |     |    |    |     |     |      |           |   |   |                |  |   |   |            |          |   |   |            |                                |   |   |            |          |
| 2          | RB8          | <b>Receiver Bit 8/Ninth bit received in modes 2 and 3</b><br>Cleared by hardware if 9th bit received is a logic 0.<br>Set by hardware if 9th bit received is a logic 1.  |  |     |     |    |    |     |     |      |           |   |   |                |  |   |   |            |          |   |   |            |                                |   |   |            |          |
| 1          | TI           | <b>Transmit Interrupt flag</b><br>Clear to acknowledge interrupt.<br>Set by hardware at the end of the 8th bit time in mode 0 or at the beginning of the stop bit in the other modes.  |  |     |     |    |    |     |     |      |           |   |   |                |  |   |   |            |          |   |   |            |                                |   |   |            |          |
| 0          | RI           | <b>Receive Interrupt flag</b><br>Clear to acknowledge interrupt.<br>Set by hardware at the end of the 8th bit time in mode 0, see Figure 29. and Figure 30. in the other modes.  |  |     |     |    |    |     |     |      |           |   |   |                |  |   |   |            |          |   |   |            |                                |   |   |            |          |

Reset Value = 0000 0000b  
Bit addressable

**Table 35.** SADEN Register

SADEN (S:B9h)  
Slave Address Mask Register

| 7          | 6            | 5                                      | 4 | 3 | 2 | 1 | 0 |
|------------|--------------|--|---|---|---|---|---|
| -          | -            | -                                      | - | - | - | - | - |
| Bit Number | Bit Mnemonic | Description                            |   |   |   |   |   |
| 7-0        |              | Mask Data for Slave Individual Address |   |   |   |   |   |

Reset Value = 0000 0000b  
Not bit addressable

**Table 36.** SADDR Register

SADDR (S:A9h)  
Slave Address Register

| 7          | 6            | 5                        | 4 | 3 | 2 | 1 | 0 |
|------------|--------------|--------------------------|---|---|---|---|---|
| -          | -            | -                        | - | - | - | - | - |
| Bit Number | Bit Mnemonic | Description              |   |   |   |   |   |
| 7-0        |              | Slave Individual Address |   |   |   |   |   |

Reset Value = 0000 0000b  
Not bit addressable

**Table 37.** SBUF Register

SBUF (S:99h)  
Serial Data Buffer

| 7          | 6            | 5                                     | 4 | 3 | 2 | 1 | 0 |
|------------|--------------|---------------------------------------|---|---|---|---|---|
| -          | -            | -                                     | - | - | - | - | - |
| Bit Number | Bit Mnemonic | Description                           |   |   |   |   |   |
| 7-0        |              | Data sent/received by Serial I/O Port |   |   |   |   |   |

Reset Value = 0000 0000b  
Not bit addressable

**Table 38.** PCON Register

PCON (S:87h)  
Power Control Register

| 7          | 6            | 5  | 4   | 3   | 2   | 1  | 0   |
|------------|--------------|--|-----|-----|-----|----|-----|
| SMOD1      | SMOD0        | –  | POF | GF1 | GF0 | PD | IDL |
| Bit Number | Bit Mnemonic | Description  |     |     |     |    |     |
| 7          | SMOD1        | <b>Serial port Mode bit 1</b><br>Set to select double baud rate in mode 1, 2 or 3.   |     |     |     |    |     |
| 6          | SMOD0        | <b>Serial port Mode bit 0</b><br>Clear to select SM0 bit in SCON register.<br>Set to select FE bit in SCON register.                                       |     |     |     |    |     |
| 5          | –            | <b>Reserved</b><br>The value read from this bit is indeterminate. Do not set this bit.   |     |     |     |    |     |
| 4          | POF          | <b>Power-Off Flag</b><br>Clear to recognize next reset type.<br>Set by hardware when VCC rises from 0 to its nominal voltage. Can also be set by software. |     |     |     |    |     |
| 3          | GF1          | <b>General-purpose Flag</b><br>Cleared by user for general-purpose usage.<br>Set by user for general-purpose usage.  |     |     |     |    |     |
| 2          | GF0          | <b>General-purpose Flag</b><br>Cleared by user for general-purpose usage.<br>Set by user for general-purpose usage.  |     |     |     |    |     |
| 1          | PD           | <b>Power-Down mode bit</b><br>Cleared by hardware when reset occurs.<br>Set to enter power-down mode.  |     |     |     |    |     |
| 0          | IDL          | <b>Idle mode bit</b><br>Clear by hardware when interrupt or reset occurs.<br>Set to enter idle mode.   |     |     |     |    |     |

Reset Value = 00X1 0000b

Not bit addressable



## Timers/Counters

The A/T89C51AC2 implements two general-purpose, 16-bit Timers/Counters. Such are identified as Timer 0 and Timer 1, and can be independently configured to operate in a variety of modes as a Timer or an event Counter. When operating as a Timer, the Timer/Counter runs for a programmed length of time, then issues an interrupt request. When operating as a Counter, the Timer/Counter counts negative transitions on an external pin. After a preset number of counts, the Counter issues an interrupt request. The various operating modes of each Timer/Counter are described in the following sections.

### Timer/Counter Operations

A basic operation is Timer registers THx and TLx ( $x = 0, 1$ ) connected in cascade to form a 16-bit Timer. Setting the run control bit (TRx) in TCON register (see Figure 39) turns the Timer on by allowing the selected input to increment TLx. When TLx overflows it increments THx; when THx overflows it sets the Timer overflow flag (TFx) in TCON register. Setting the TRx does not clear the THx and TLx Timer registers. Timer registers can be accessed to obtain the current count or to enter preset values. They can be read at any time but TRx bit must be cleared to preset their values, otherwise the behavior of the Timer/Counter is unpredictable.

The C/Tx# control bit selects Timer operation or Counter operation by selecting the divided-down peripheral clock or external pin Tx as the source for the counted signal. TRx bit must be cleared when changing the mode of operation, otherwise the behavior of the Timer/Counter is unpredictable.

For Timer operation ( $C/Tx\# = 0$ ), the Timer register counts the divided-down peripheral clock. The Timer register is incremented once every peripheral cycle (6 peripheral clock periods). The Timer clock rate is  $F_{PER}/6$ , i.e.  $F_{OSC}/12$  in standard mode or  $F_{OSC}/6$  in X2 mode.

For Counter operation ( $C/Tx\# = 1$ ), the Timer register counts the negative transitions on the Tx external input pin. The external input is sampled every peripheral cycles. When the sample is high in one cycle and low in the next one, the Counter is incremented. Since it takes 2 cycles (12 peripheral clock periods) to recognize a negative transition, the maximum count rate is  $F_{PER}/12$ , i.e.  $F_{OSC}/24$  in standard mode or  $F_{OSC}/12$  in X2 mode. There are no restrictions on the duty cycle of the external input signal, but to ensure that a given level is sampled at least once before it changes, it should be held for at least one full peripheral cycle.

### Timer 0

Timer 0 functions as either a Timer or event Counter in four modes of operation. Figure 31 to Figure 34 show the logical configuration of each mode.

Timer 0 is controlled by the four lower bits of TMOD register (see Figure 40) and bits 0, 1, 4 and 5 of TCON register (see Figure 39). TMOD register selects the method of Timer gating (GATE0), Timer or Counter operation (T/C0#) and mode of operation (M10 and M00). TCON register provides Timer 0 control functions: overflow flag (TF0), run control bit (TR0), interrupt flag (IE0) and interrupt type control bit (IT0).

For normal Timer operation ( $GATE0 = 0$ ), setting TR0 allows TL0 to be incremented by the selected input. Setting GATE0 and TR0 allows external pin INT0# to control Timer operation.

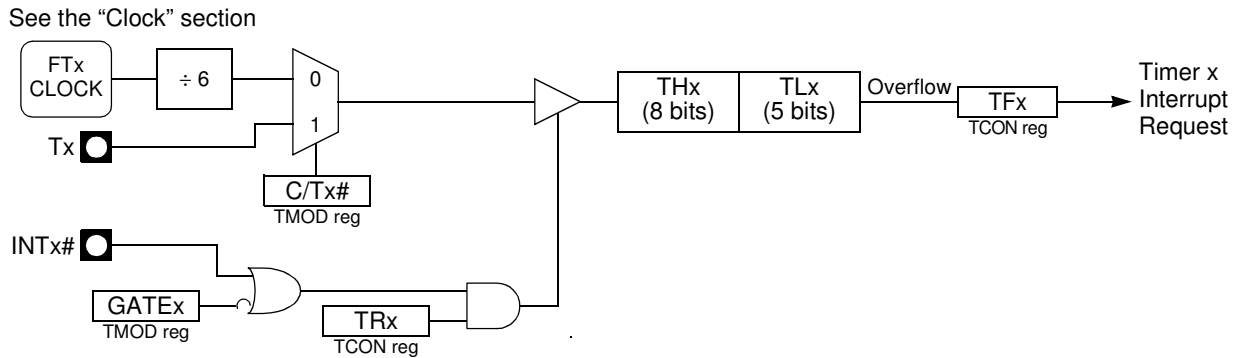
Timer 0 overflow (count rolls over from all 1s to all 0s) sets TF0 flag generating an interrupt request.

It is important to stop Timer/Counter before changing mode.

### Mode 0 (13-bit Timer)

Mode 0 configures Timer 0 as a 13-bit Timer which is set up as an 8-bit Timer (TH0 register) with a modulo 32 prescaler implemented with the lower five bits of TL0 register (see Figure 31). The upper three bits of TL0 register are indeterminate and should be ignored. Prescaler overflow increments TH0 register.

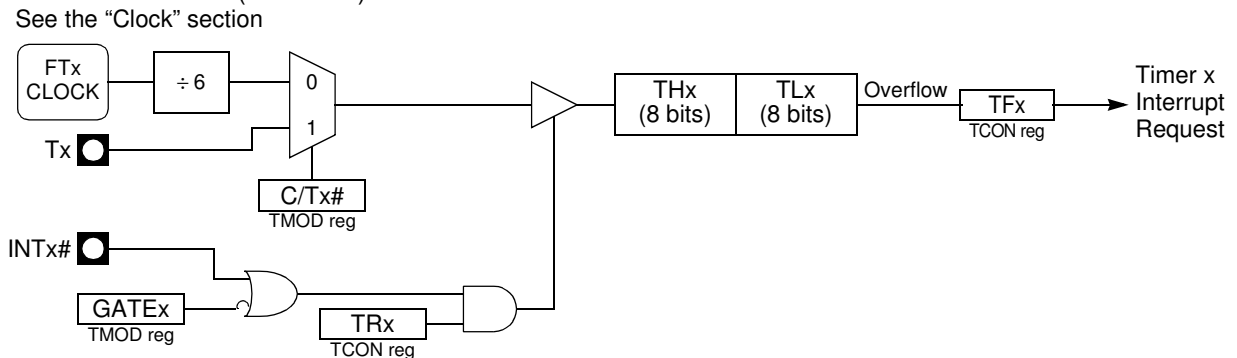
**Figure 31.** Timer/Counter x (x = 0 or 1) in Mode 0



### Mode 1 (16-bit Timer)

Mode 1 configures Timer 0 as a 16-bit Timer with TH0 and TL0 registers connected in cascade (see Figure 32). The selected input increments TL0 register.

**Figure 32.** Timer/Counter x (x = 0 or 1) in Mode 1

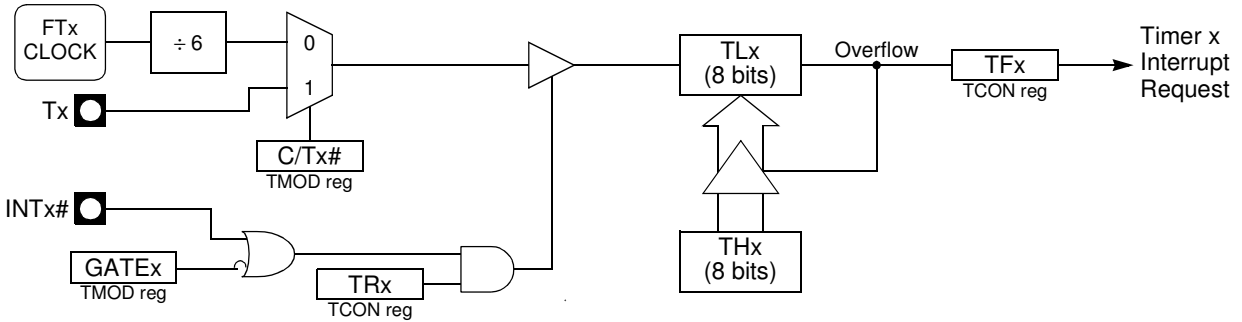


**Mode 2 (8-bit Timer with Auto-Reload)**

Mode 2 configures Timer 0 as an 8-bit Timer (TL0 register) that automatically reloads from TH0 register (see Figure 33). TL0 overflow sets TF0 flag in TCON register and reloads TL0 with the contents of TH0, which is preset by software. When the interrupt request is serviced, hardware clears TF0. The reload leaves TH0 unchanged. The next reload value may be changed at any time by writing it to TH0 register.

**Figure 33.** Timer/Counter x (x = 0 or 1) in Mode 2

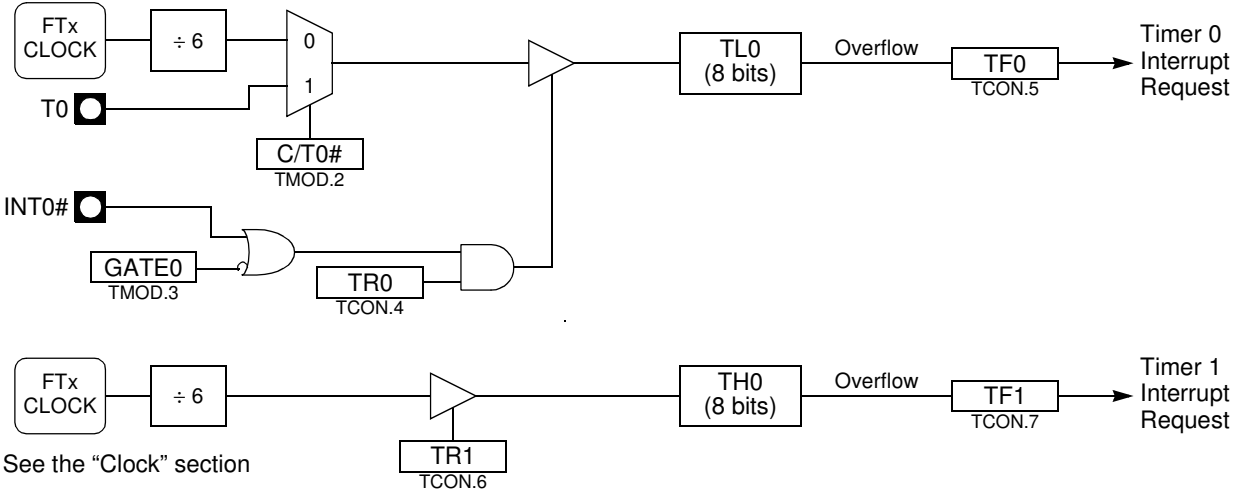
See the "Clock" section



**Mode 3 (Two 8-bit Timers)**

Mode 3 configures Timer 0 such that registers TL0 and TH0 operate as separate 8-bit Timers (see Figure 34). This mode is provided for applications requiring an additional 8-bit Timer or Counter. TL0 uses the Timer 0 control bits C/T0# and GATE0 in TMOD register, and TR0 and TF0 in TCON register in the normal manner. TH0 is locked into a Timer function (counting  $F_{PER}/6$ ) and takes over use of the Timer 1 interrupt (TF1) and run control (TR1) bits. Thus, operation of Timer 1 is restricted when Timer 0 is in mode 3.

**Figure 34.** Timer/Counter 0 in Mode 3: Two 8-bit Counters



See the "Clock" section

## Timer 1

Timer 1 is identical to Timer 0 excepted for Mode 3 which is a hold-count mode. The following comments help to understand the differences:

- Timer 1 functions as either a Timer or event Counter in three modes of operation. Figure 31 to Figure 33 show the logical configuration for modes 0, 1, and 2. Timer 1's mode 3 is a hold-count mode.
- Timer 1 is controlled by the four high-order bits of TMOD register (see Figure 40) and bits 2, 3, 6 and 7 of TCON register (see Figure 39). TMOD register selects the method of Timer gating (GATE1), Timer or Counter operation (C/T1#) and mode of operation (M11 and M01). TCON register provides Timer 1 control functions: overflow flag (TF1), run control bit (TR1), interrupt flag (IE1) and interrupt type control bit (IT1).
- Timer 1 can serve as the Baud Rate Generator for the Serial Port. Mode 2 is best suited for this purpose.
- For normal Timer operation (GATE1 = 0), setting TR1 allows TL1 to be incremented by the selected input. Setting GATE1 and TR1 allows external pin INT1# to control Timer operation.
- Timer 1 overflow (count rolls over from all 1s to all 0s) sets the TF1 flag generating an interrupt request.
- When Timer 0 is in mode 3, it uses Timer 1's overflow flag (TF1) and run control bit (TR1). For this situation, use Timer 1 only for applications that do not require an interrupt (such as a Baud Rate Generator for the Serial Port) and switch Timer 1 in and out of mode 3 to turn it off and on.
- It is important to stop Timer/Counter before changing mode.

### Mode 0 (13-bit Timer)

Mode 0 configures Timer 1 as a 13-bit Timer, which is set up as an 8-bit Timer (TH1 register) with a modulo-32 prescaler implemented with the lower 5 bits of the TL1 register (see Figure 31). The upper 3 bits of TL1 register are ignored. Prescaler overflow increments TH1 register.

### Mode 1 (16-bit Timer)

Mode 1 configures Timer 1 as a 16-bit Timer with TH1 and TL1 registers connected in cascade (see Figure 32). The selected input increments TL1 register.

### Mode 2 (8-bit Timer with Auto-Reload)

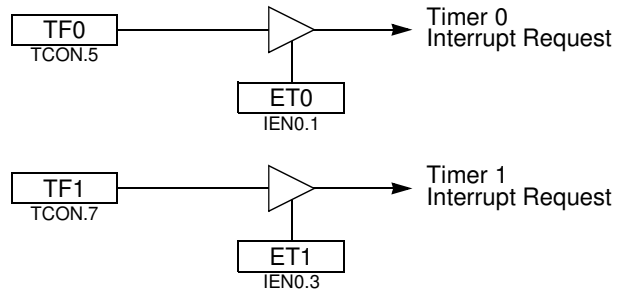
Mode 2 configures Timer 1 as an 8-bit Timer (TL1 register) with automatic reload from TH1 register on overflow (see Figure 33). TL1 overflow sets TF1 flag in TCON register and reloads TL1 with the contents of TH1, which is preset by software. The reload leaves TH1 unchanged.

### Mode 3 (Halt)

Placing Timer 1 in mode 3 causes it to halt and hold its count. This can be used to halt Timer 1 when TR1 run control bit is not available i.e. when Timer 0 is in mode 3.

## Interrupt

Each Timer handles one interrupt source that is the timer overflow flag TF0 or TF1. This flag is set every time an overflow occurs. Flags are cleared when vectoring to the Timer interrupt routine. Interrupts are enabled by setting ET<sub>x</sub> bit in IEN0 register. This assumes interrupts are globally enabled by setting EA bit in IEN0 register.

**Figure 35.** Timer Interrupt System

## Registers

**Table 39.** TCON Register

TCON (S:88h)  
Timer/Counter Control Register

|            | 7            | 6   | 5   | 4   | 3   | 2   | 1   | 0   |
|------------|--------------|---|-----|-----|-----|-----|-----|-----|
|            | TF1          | TR1   | TF0 | TR0 | IE1 | IT1 | IE0 | IT0 |
| Bit Number | Bit Mnemonic | Description   |     |     |     |     |     |     |
| 7          | TF1          | <b>Timer 1 Overflow Flag</b><br>Cleared by hardware when processor vectors to interrupt routine.<br>Set by hardware on Timer/Counter overflow, when Timer 1 register overflows.                             |     |     |     |     |     |     |
| 6          | TR1          | <b>Timer 1 Run Control Bit</b><br>Clear to turn off Timer/Counter 1.<br>Set to turn on Timer/Counter 1.   |     |     |     |     |     |     |
| 5          | TF0          | <b>Timer 0 Overflow Flag</b><br>Cleared by hardware when processor vectors to interrupt routine.<br>Set by hardware on Timer/Counter overflow, when Timer 0 register overflows.                             |     |     |     |     |     |     |
| 4          | TR0          | <b>Timer 0 Run Control Bit</b><br>Clear to turn off Timer/Counter 0.<br>Set to turn on Timer/Counter 0.   |     |     |     |     |     |     |
| 3          | IE1          | <b>Interrupt 1 Edge Flag</b><br>Cleared by hardware when interrupt is processed if edge-triggered (see IT1).<br>Set by hardware when external interrupt is detected on INT1# pin.                           |     |     |     |     |     |     |
| 2          | IT1          | <b>Interrupt 1 Type Control Bit</b><br>Clear to select low level active (level triggered) for external interrupt 1 (INT1#).<br>Set to select falling edge active (edge triggered) for external interrupt 1. |     |     |     |     |     |     |
| 1          | IE0          | <b>Interrupt 0 Edge Flag</b><br>Cleared by hardware when interrupt is processed if edge-triggered (see IT0).<br>Set by hardware when external interrupt is detected on INT0# pin.                           |     |     |     |     |     |     |
| 0          | IT0          | <b>Interrupt 0 Type Control Bit</b><br>Clear to select low level active (level triggered) for external interrupt 0 (INT0#).<br>Set to select falling edge active (edge triggered) for external interrupt 0. |     |     |     |     |     |     |

Reset Value = 0000 0000b

**Table 40.** TMOD Register

TMOD (S:89h)  
Timer/Counter Mode Control Register

| 7          | 6            | 5   | 4          | 3   | 2     | 1   | 0   |
|------------|--------------|---|------------|---|-------|-----|-----|
| GATE1      | C/T1#        | M11   | M01        | GATE0   | C/T0# | M10 | M00 |
| Bit Number | Bit Mnemonic | Description   |            |   |       |     |     |
| 7          | GATE1        | <b>Timer 1 Gating Control Bit</b><br>Clear to enable Timer 1 whenever TR1 bit is set.<br>Set to enable Timer 1 only while INT1# pin is high and TR1 bit is set.   |            |   |       |     |     |
| 6          | C/T1#        | <b>Timer 1 Counter/Timer Select Bit</b><br>Clear for Timer operation: Timer 1 counts the divided-down system clock.<br>Set for Counter operation: Timer 1 counts negative transitions on external pin T1. |            |   |       |     |     |
| 5          | M11          | <b>Timer 1 Mode Select Bits</b>   |            |   |       |     |     |
| 4          | M01          | <u>M11</u>  | <u>M01</u> | <u>Operating mode</u>   |       |     |     |
|            |              | 0   | 0          | Mode 0: 8-bit Timer/Counter (TH1) with 5-bit prescaler (TL1). |       |     |     |
|            |              | 0   | 1          | Mode 1: 16-bit Timer/Counter.                                 |       |     |     |
|            |              | 1   | 0          | Mode 2: 8-bit auto-reload Timer/Counter (TL1) <sup>(1)</sup>  |       |     |     |
| 1          | 1            | Mode 3: Timer 1 halted. Retains count   |            |   |       |     |     |
| 3          | GATE0        | <b>Timer 0 Gating Control Bit</b><br>Clear to enable Timer 0 whenever TR0 bit is set.<br>Set to enable Timer/Counter 0 only while INTO# pin is high and TR0 bit is set.                                   |            |   |       |     |     |
| 2          | C/T0#        | <b>Timer 0 Counter/Timer Select Bit</b><br>Clear for Timer operation: Timer 0 counts the divided-down system clock.<br>Set for Counter operation: Timer 0 counts negative transitions on external pin T0. |            |   |       |     |     |
| 1          | M10          | <b>Timer 0 Mode Select Bit</b>  |            |   |       |     |     |
| 0          | M00          | <u>M10</u>  | <u>M00</u> | <u>Operating mode</u>   |       |     |     |
|            |              | 0   | 0          | Mode 0: 8-bit Timer/Counter (TH0) with 5-bit prescaler (TL0). |       |     |     |
|            |              | 0   | 1          | Mode 1: 16-bit Timer/Counter.                                 |       |     |     |
|            |              | 1   | 0          | Mode 2: 8-bit auto-reload Timer/Counter (TL0) <sup>(2)</sup>  |       |     |     |
| 1          | 1            | Mode 3: TL0 is an 8-bit Timer/Counter<br>TH0 is an 8-bit Timer using Timer 1's TR0 and TF0 bits.  |            |   |       |     |     |

Notes: 1. Reloaded from TH1 at overflow.  
2. Reloaded from TH0 at overflow.

Reset Value = 0000 0000b

**Table 41.** TH0 Register

TH0 (S:8Ch)  
Timer 0 High Byte Register

| 7          | 6            | 5                     | 4 | 3 | 2 | 1 | 0 |
|------------|--------------|-----------------------|---|---|---|---|---|
| -          | -            | -                     | - | - | - | - | - |
| Bit Number | Bit Mnemonic | Description           |   |   |   |   |   |
| 7:0        |              | High Byte of Timer 0. |   |   |   |   |   |

Reset Value = 0000 0000b

**Table 42.** TL0 Register

TL0 (S:8Ah)  
Timer 0 Low Byte Register

| 7          | 6            | 5                    | 4 | 3 | 2 | 1 | 0 |
|------------|--------------|----------------------|---|---|---|---|---|
| -          | -            | -                    | - | - | - | - | - |
| Bit Number | Bit Mnemonic | Description          |   |   |   |   |   |
| 7:0        |              | Low Byte of Timer 0. |   |   |   |   |   |

Reset Value = 0000 0000b

**Table 43.** TH1 Register

TH1 (S:8Dh)  
Timer 1 High Byte Register

| 7          | 6            | 5                     | 4 | 3 | 2 | 1 | 0 |
|------------|--------------|-----------------------|---|---|---|---|---|
| -          | -            | -                     | - | - | - | - | - |
| Bit Number | Bit Mnemonic | Description           |   |   |   |   |   |
| 7:0        |              | High Byte of Timer 1. |   |   |   |   |   |

Reset Value = 0000 0000b



**Table 44.** TL1 Register

TL1 (S:8Bh)  
 Timer 1 Low Byte Register

| 7             | 6               | 5                    | 4 | 3 | 2 | 1 | 0 |
|---------------|-----------------|----------------------|---|---|---|---|---|
| -             | -               | -                    | - | - | - | - | - |
| Bit<br>Number | Bit<br>Mnemonic | Description          |   |   |   |   |   |
| 7:0           |                 | Low Byte of Timer 1. |   |   |   |   |   |

Reset Value = 0000 0000b

## Timer 2

The A/T89C51AC2 timer 2 is compatible with timer 2 in the 80C52.

It is a 16-bit timer/counter: the count is maintained by two eight-bit timer registers, TH2 and TL2 that are cascade-connected. It is controlled by T2CON register (See Table ) and T2MOD register (See Table 47). Timer 2 operation is similar to Timer 0 and Timer 1.  $\overline{CT2}$  selects  $F_{T2\text{ clock}}/6$  (timer operation) or external pin T2 (counter operation) as timer clock. Setting TR2 allows TL2 to be incremented by the selected input.

Timer 2 includes the following enhancements:

- Auto-reload mode (up or down counter)
- Programmable clock-output

### Auto-Reload Mode

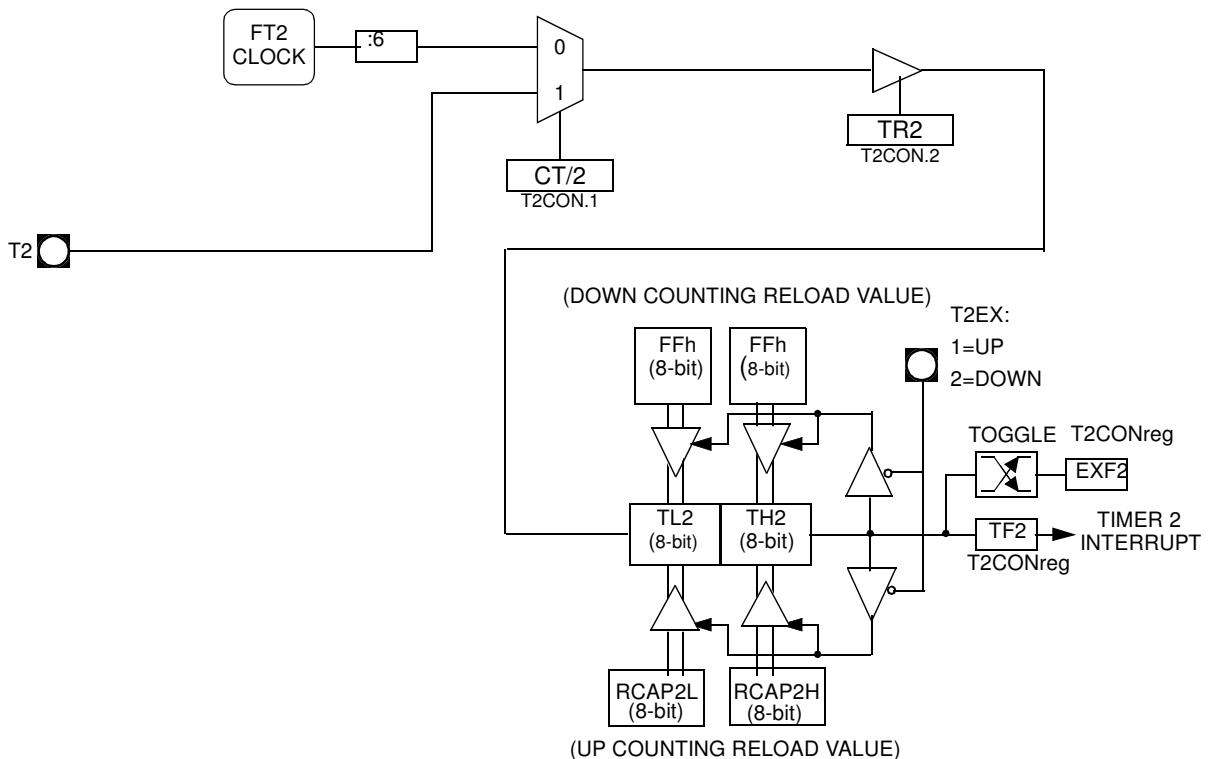
The auto-reload mode configures timer 2 as a 16-bit timer or event counter with automatic reload. This feature is controlled by the DCEN bit in T2MOD register (See Table 47). Setting the DCEN bit enables timer 2 to count up or down as shown in Figure 36. In this mode the T2EX pin controls the counting direction.

When T2EX is high, timer 2 counts up. Timer overflow occurs at FFFFh which sets the TF2 flag and generates an interrupt request. The overflow also causes the 16-bit value in RCAP2H and RCAP2L registers to be loaded into the timer registers TH2 and TL2.

When T2EX is low, timer 2 counts down. Timer underflow occurs when the count in the timer registers TH2 and TL2 equals the value stored in RCAP2H and RCAP2L registers. The underflow sets TF2 flag and reloads FFFFh into the timer registers.

The EXF2 bit toggles when timer 2 overflow or underflow, depending on the direction of the count. EXF2 does not generate an interrupt. This bit can be used to provide 17-bit resolution.

**Figure 36.** Auto-Reload Mode Up/Down Counter  
see section "Clock"



**Programmable Clock-Output**

In clock-out mode, timer 2 operates as a 50%-duty-cycle, programmable clock generator (See Figure 37). The input clock increments TL2 at frequency  $F_{OSC}/2$ . The timer repeatedly counts to overflow from a loaded value. At overflow, the contents of RCAP2H and RCAP2L registers are loaded into TH2 and TL2. In this mode, timer 2 overflows do not generate interrupts. The formula gives the clock-out frequency depending on the system oscillator frequency and the value in the RCAP2H and RCAP2L registers:

$$Clock - OutFrequency = \frac{FT2clock}{4 \times (65536 - RCAP2H/RCAP2L)}$$

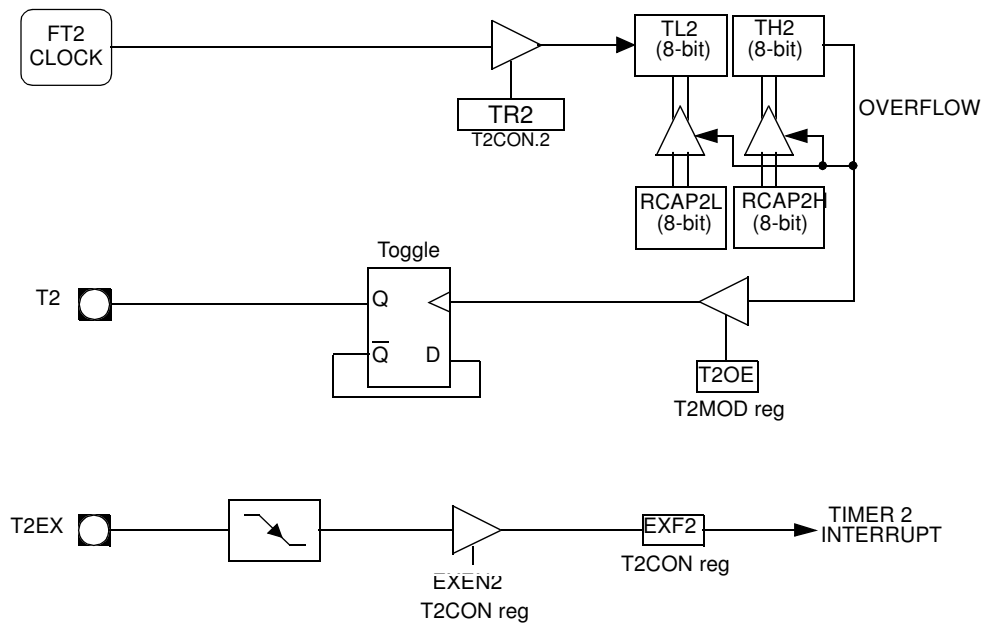
For a 16 MHz system clock in x1 mode, timer 2 has a programmable frequency range of 61 Hz ( $F_{OSC}/2^{16}$ ) to 4 MHz ( $F_{OSC}/4$ ). The generated clock signal is brought out to T2 pin (P1.0).

Timer 2 is programmed for the clock-out mode as follows:

- Set T2OE bit in T2MOD register.
- Clear C/T2 bit in T2CON register.
- Determine the 16-bit reload value from the formula and enter it in RCAP2H/RCAP2L registers.
- Enter a 16-bit initial value in timer registers TH2/TL2. It can be the same as the reload value or different depending on the application.
- To start the timer, set TR2 run control bit in T2CON register.

It is possible to use timer 2 as a baud rate generator and a clock generator simultaneously. For this configuration, the baud rates and clock frequencies are not independent since both functions use the values in the RCAP2H and RCAP2L registers.

**Figure 37.** Clock-Out Mode



## Registers

**Table 45.** T2CON Register

T2CON (S:C8h)  
Timer 2 Control Register

| 7          | 6            | 5   | 4    | 3     | 2   | 1     | 0       |
|------------|--------------|---|------|-------|-----|-------|---------|
| TF2        | EXF2         | RCLK  | TCLK | EXEN2 | TR2 | C/T2# | CP/RL2# |
| Bit Number | Bit Mnemonic | Description   |      |       |     |       |         |
| 7          | TF2          | <b>Timer 2 Overflow Flag</b><br>TF2 is not set if RCLK=1 or TCLK = 1.<br>Must be cleared by software.<br>Set by hardware on timer 2 overflow.   |      |       |     |       |         |
| 6          | EXF2         | <b>Timer 2 External Flag</b><br>Set when a capture or a reload is caused by a negative transition on T2EX pin if EXEN2=1.<br>Set to cause the CPU to vector to timer 2 interrupt routine when timer 2 interrupt is enabled.<br>Must be cleared by software.   |      |       |     |       |         |
| 5          | RCLK         | <b>Receive Clock bit</b><br>Clear to use timer 1 overflow as receive clock for serial port in mode 1 or 3.<br>Set to use timer 2 overflow as receive clock for serial port in mode 1 or 3.  |      |       |     |       |         |
| 4          | TCLK         | <b>Transmit Clock bit</b><br>Clear to use timer 1 overflow as transmit clock for serial port in mode 1 or 3.<br>Set to use timer 2 overflow as transmit clock for serial port in mode 1 or 3.   |      |       |     |       |         |
| 3          | EXEN2        | <b>Timer 2 External Enable bit</b><br>Clear to ignore events on T2EX pin for timer 2 operation.<br>Set to cause a capture or reload when a negative transition on T2EX pin is detected, if timer 2 is not used to clock the serial port.  |      |       |     |       |         |
| 2          | TR2          | <b>Timer 2 Run Control bit</b><br>Clear to turn off timer 2.<br>Set to turn on timer 2.   |      |       |     |       |         |
| 1          | C/T2#        | <b>Timer/Counter 2 Select bit</b><br>Clear for timer operation (input from internal clock system: F <sub>OSC</sub> ).<br>Set for counter operation (input from T2 input pin).   |      |       |     |       |         |
| 0          | CP/RL2#      | <b>Timer 2 Capture/Reload bit</b><br>If RCLK=1 or TCLK=1, CP/RL2# is ignored and timer is forced to auto-reload on timer 2 overflow.<br>Clear to auto-reload on timer 2 overflows or negative transitions on T2EX pin if EXEN2=1.<br>Set to capture on negative transitions on T2EX pin if EXEN2=1. |      |       |     |       |         |

Reset Value = 0000 0000b

Bit addressable

**Table 46.** T2MOD Register

T2MOD (S:C9h)  
Timer 2 Mode Control Register

|   |   |   |   |   |   |      |      |
|---|---|---|---|---|---|------|------|
| 7 | 6 | 5 | 4 | 3 | 2 | 1    | 0    |
| - | - | - | - | - | - | T2OE | DCEN |

| Bit Number | Bit Mnemonic | Description   |
|------------|--------------|---|
| 7          | -            | <b>Reserved</b><br>The value read from this bit is indeterminate. Do not set this bit.  |
| 6          | -            | <b>Reserved</b><br>The value read from this bit is indeterminate. Do not set this bit.  |
| 5          | -            | <b>Reserved</b><br>The value read from this bit is indeterminate. Do not set this bit.  |
| 4          | -            | <b>Reserved</b><br>The value read from this bit is indeterminate. Do not set this bit.  |
| 3          | -            | <b>Reserved</b><br>The value read from this bit is indeterminate. Do not set this bit.  |
| 2          | -            | <b>Reserved</b><br>The value read from this bit is indeterminate. Do not set this bit.  |
| 1          | T2OE         | <b>Timer 2 Output Enable bit</b><br>Clear to program P1.0/T2 as clock input or I/O port.<br>Set to program P1.0/T2 as clock output. |
| 0          | DCEN         | <b>Down Counter Enable bit</b><br>Clear to disable timer 2 as up/down counter.<br>Set to enable timer 2 as up/down counter.         |

Reset Value = XXXX XX00b  
Not bit addressable

**Table 47.** TH2 Register

TH2 (S:CDh)  
Timer 2 High Byte Register

|   |   |   |   |   |   |   |   |
|---|---|---|---|---|---|---|---|
| 7 | 6 | 5 | 4 | 3 | 2 | 1 | 0 |
| - | - | - | - | - | - | - | - |

| Bit Number | Bit Mnemonic | Description           |
|------------|--------------|-----------------------|
| 7-0        |              | High Byte of Timer 2. |

Reset Value = 0000 0000b  
Not bit addressable

**Table 48.** TL2 Register

TL2 (S:CCh)  
Timer 2 Low Byte Register

| 7          | 6            | 5                    | 4 | 3 | 2 | 1 | 0 |
|------------|--------------|----------------------|---|---|---|---|---|
| -          | -            | -                    | - | - | - | - | - |
| Bit Number | Bit Mnemonic | Description          |   |   |   |   |   |
| 7-0        |              | Low Byte of Timer 2. |   |   |   |   |   |

Reset Value = 0000 0000b  
Not bit addressable

**Table 49.** RCAP2H Register

RCAP2H (S:CBh)  
Timer 2 Reload/Capture High Byte Register

| 7          | 6            | 5                                    | 4 | 3 | 2 | 1 | 0 |
|------------|--------------|--------------------------------------|---|---|---|---|---|
| -          | -            | -                                    | - | - | - | - | - |
| Bit Number | Bit Mnemonic | Description                          |   |   |   |   |   |
| 7-0        |              | High Byte of Timer 2 Reload/Capture. |   |   |   |   |   |

Reset Value = 0000 0000b  
Not bit addressable

**Table 50.** RCAP2L Register

RCAP2L (S:CAh)  
TIMER 2 Reload/Capture Low Byte Register

| 7          | 6            | 5                                   | 4 | 3 | 2 | 1 | 0 |
|------------|--------------|-------------------------------------|---|---|---|---|---|
| -          | -            | -                                   | - | - | - | - | - |
| Bit Number | Bit Mnemonic | Description                         |   |   |   |   |   |
| 7-0        |              | Low Byte of Timer 2 Reload/Capture. |   |   |   |   |   |

Reset Value = 0000 0000b  
Not bit addressable

## Watchdog Timer

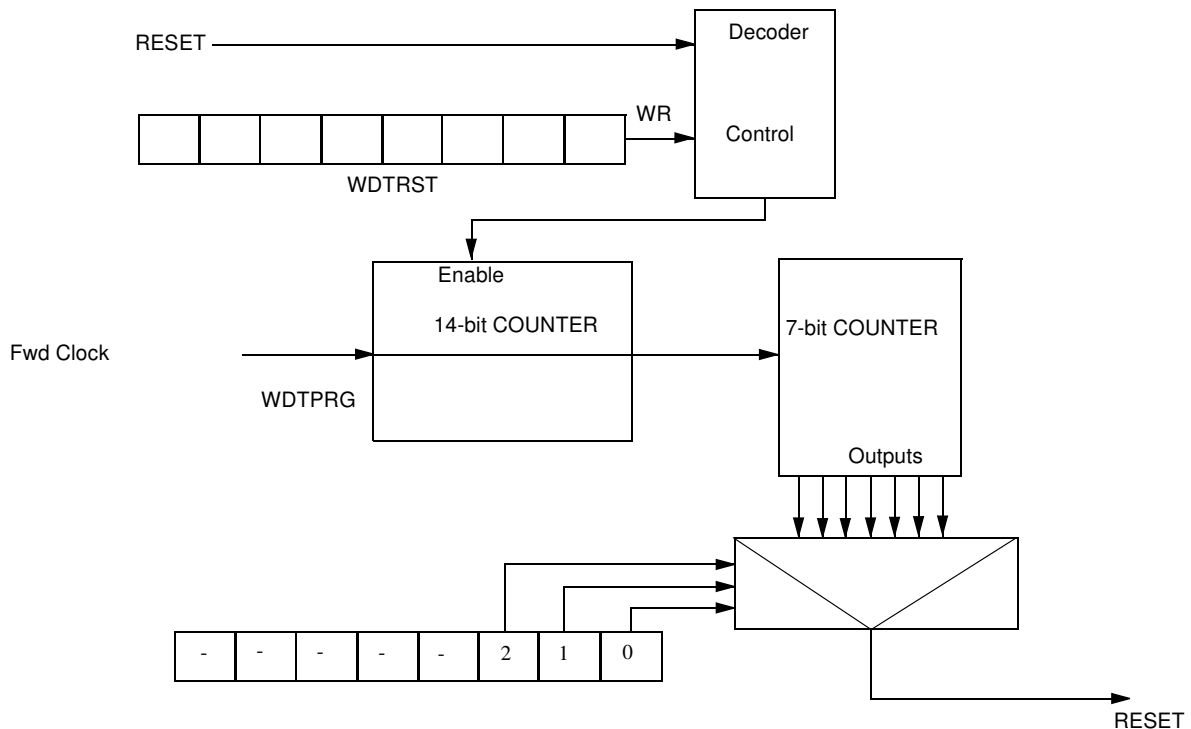
A/T89C51AC2 contains a powerful programmable hardware Watchdog Timer (WDT) that automatically resets the chip if its software fails to reset the WDT before the selected time interval has elapsed. It permits large Time-Out ranking from 16ms to 2s @Fosc = 12MHz in X1 mode.

This WDT consists of a 14-bit counter plus a 7-bit programmable counter, a Watchdog Timer reset register (WDTRST) and a Watchdog Timer programming (WDTPRG) register. When exiting reset, the WDT is -by default- disable.

To enable the WDT, the user has to write the sequence 1EH and E1H into WDTRST register no instruction in between. When the Watchdog Timer is enabled, it will increment every machine cycle while the oscillator is running and there is no way to disable the WDT except through reset (either hardware reset or WDT overflow reset). When WDT overflows, it will generate an output RESET pulse at the RST pin. The RESET pulse duration is  $96 \times T_{OSC}$ , where  $T_{OSC} = 1/F_{OSC}$ . To make the best use of the WDT, it should be serviced in those sections of code that will periodically be executed within the time required to prevent a WDT reset

Note: When the Watchdog is enable it is impossible to change its period.

Figure 38. Watchdog Timer



## Watchdog Programming

The three lower bits (S0, S1, S2) located into WDTPRG register permit to program the WDT duration.

**Table 51.** Machine Cycle Count

| S2 | S1 | S0 | Machine Cycle Count |
|----|----|----|---------------------|
| 0  | 0  | 0  | $2^{14} - 1$        |
| 0  | 0  | 1  | $2^{15} - 1$        |
| 0  | 1  | 0  | $2^{16} - 1$        |
| 0  | 1  | 1  | $2^{17} - 1$        |
| 1  | 0  | 0  | $2^{18} - 1$        |
| 1  | 0  | 1  | $2^{19} - 1$        |
| 1  | 1  | 0  | $2^{20} - 1$        |
| 1  | 1  | 1  | $2^{21} - 1$        |

To compute WD Time-Out, the following formula is applied:

$$FTime - Out = \frac{F_{osc}}{6 \times 2^{WDX2 \wedge X2} (2^{14} \times 2^{Svalue})}$$

Note: Svalue represents the decimal value of (S2 S1 S0)

The following table outlines the time-out value for  $F_{osc_{XTAL}} = 12$  MHz in X1 mode

**Table 52.** Time-Out Computation

| S2 | S1 | S0 | Fosc = 12 MHz | Fosc = 16 MHz | Fosc = 20 MHz |
|----|----|----|---------------|---------------|---------------|
| 0  | 0  | 0  | 16.38 ms      | 12.28 ms      | 9.82 ms       |
| 0  | 0  | 1  | 32.77 ms      | 24.57 ms      | 19.66 ms      |
| 0  | 1  | 0  | 65.54 ms      | 49.14 ms      | 39.32 ms      |
| 0  | 1  | 1  | 131.07 ms     | 98.28 ms      | 78.64 ms      |
| 1  | 0  | 0  | 262.14 ms     | 196.56 ms     | 157.28 ms     |
| 1  | 0  | 1  | 524.29 ms     | 393.12 ms     | 314.56 ms     |
| 1  | 1  | 0  | 1.05 s        | 786.24 ms     | 629.12 ms     |
| 1  | 1  | 1  | 2.10 s        | 1.57 s        | 1.25 s        |



**Watchdog Timer During Power-down Mode and Idle**

In Power-down mode the oscillator stops, which means the WDT also stops. While in Power-down mode, the user does not need to service the WDT. There are 2 methods of exiting Power-down mode: by a hardware reset or via a level activated external interrupt which is enabled prior to entering Power-down mode. When Power-down is exited with hardware reset, the Watchdog is disabled. Exiting Power-down with an interrupt is significantly different. The interrupt shall be held low long enough for the oscillator to stabilize. When the interrupt is brought high, the interrupt is serviced. To prevent the WDT from resetting the device while the interrupt pin is held low, the WDT is not started until the interrupt is pulled high. It is suggested that the WDT be reset during the interrupt service for the interrupt used to exit Power-down.

To ensure that the WDT does not overflow within a few states of exiting powerdown, it is best to reset the WDT just before entering powerdown.

In the Idle mode, the oscillator continues to run. To prevent the WDT from resetting A/T89C51AC2 while in Idle mode, the user should always set up a timer that will periodically exit Idle, service the WDT, and re-enter Idle mode.

**Register**

**Table 53.** WDTPRG Register

WDTPRG (S:A7h)  
Watchdog Timer Duration Programming Register

| 7          | 6            | 5   | 4 | 3 | 2  | 1  | 0  |
|------------|--------------|---|---|---|----|----|----|
| -          | -            | -   | - | - | S2 | S1 | S0 |
| Bit Number | Bit Mnemonic | Description   |   |   |    |    |    |
| 7          | -            | <b>Reserved</b><br>The value read from this bit is indeterminate. Do not set this bit.      |   |   |    |    |    |
| 6          | -            | <b>Reserved</b><br>The value read from this bit is indeterminate. Do not set this bit.      |   |   |    |    |    |
| 5          | -            | <b>Reserved</b><br>The value read from this bit is indeterminate. Do not set this bit.      |   |   |    |    |    |
| 4          | -            | <b>Reserved</b><br>The value read from this bit is indeterminate. Do not set this bit.      |   |   |    |    |    |
| 3          | -            | <b>Reserved</b><br>The value read from this bit is indeterminate. Do not set this bit.      |   |   |    |    |    |
| 2          | S2           | <b>Watchdog Timer Duration selection bit 2</b><br>Work in conjunction with bit 1 and bit 0. |   |   |    |    |    |
| 1          | S1           | <b>Watchdog Timer Duration selection bit 1</b><br>Work in conjunction with bit 2 and bit 0. |   |   |    |    |    |
| 0          | S0           | <b>Watchdog Timer Duration selection bit 0</b><br>Work in conjunction with bit 1 and bit 2. |   |   |    |    |    |

Reset Value = XXXX X000b



**Table 54.** WDTRST Register

WDTRST (S:A6h Write only)  
 Watchdog Timer Enable Register

|   |   |   |   |   |   |   |   |
|---|---|---|---|---|---|---|---|
| 7 | 6 | 5 | 4 | 3 | 2 | 1 | 0 |
| - | - | - | - | - | - | - | - |

| Bit Number | Bit Mnemonic | Description            |
|------------|--------------|------------------------|
| 7          | -            | Watchdog Control Value |

Reset Value = 1111 1111b

Note: The WDRST register is used to reset/enable the WDT by writing 1EH then E1H in sequence without instruction between these two sequences.

## Programmable Counter Array (PCA)

The PCA provides more timing capabilities with less CPU intervention than the standard timer/counters. Its advantages include reduced software overhead and improved accuracy. The PCA consists of a dedicated timer/counter which serves as the time base for an array of five compare/capture modules. Its clock input can be programmed to count any of the following signals:

- PCA clock frequency/6 (see "clock" section)
- PCA clock frequency/2
- Timer 0 overflow
- External input on ECI (P1.2)

Each compare/capture modules can be programmed in any one of the following modes:

- rising and/or falling edge capture,
- software timer,
- high-speed output,
- pulse width modulator.

Module 4 can also be programmed as a Watchdog timer. see the "PCA Watchdog Timer" section.

When the compare/capture modules are programmed in capture mode, software timer, or high speed output mode, an interrupt can be generated when the module executes its function. All five modules plus the PCA timer overflow share one interrupt vector.

The PCA timer/counter and compare/capture modules share Port 1 for external I/Os. These pins are listed below. If the port is not used for the PCA, it can still be used for standard I/O.

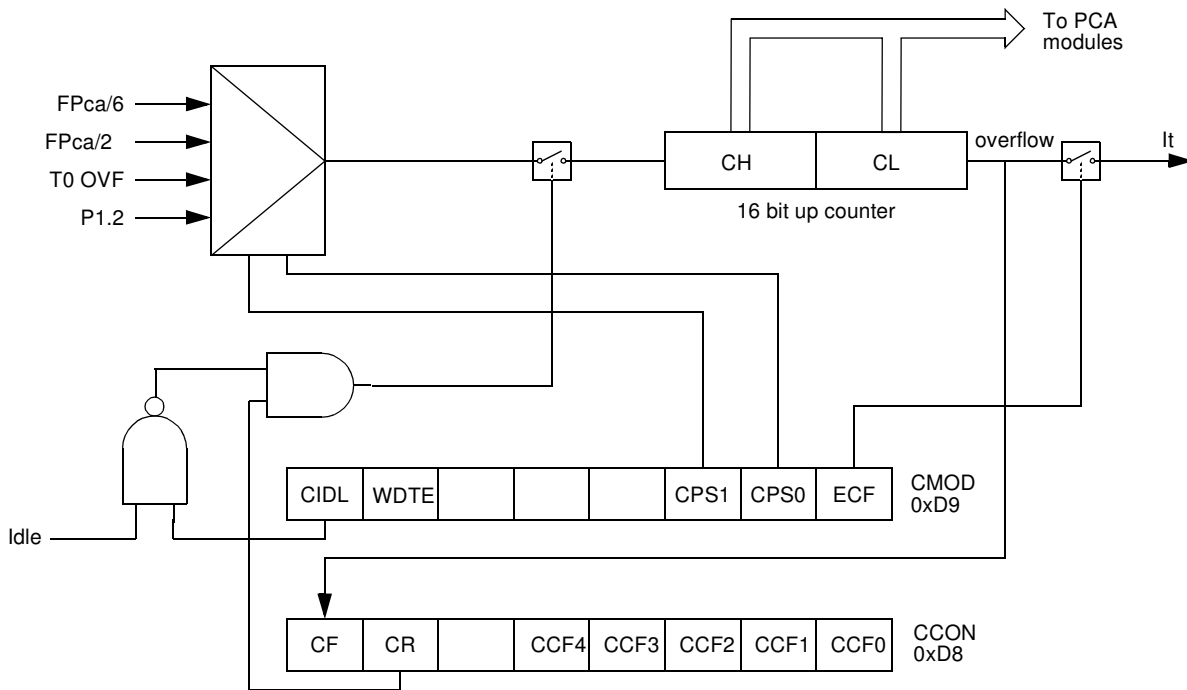
| PCA Component   | External I/O Pin |
|-----------------|------------------|
| 16-bit Counter  | P1.2/ECI         |
| 16-bit Module 0 | P1.3/CEX0        |
| 16-bit Module 1 | P1.4/CEX1        |
| 16-bit Module 2 | P1.5/CEX2        |
| 16-bit Module 3 | P1.6/CEX3        |
| 16-bit Module 4 | P1.7/CEX4        |

## PCA Timer

The PCA timer is a common time base for all five modules (see Figure 39). The timer count source is determined from the CPS1 and CPS0 bits in the CMOD SFR (see Table 8) and can be programmed to run at:

- 1/6 the PCA clock frequency.
- 1/2 the PCA clock frequency.
- the Timer 0 overflow.
- the input on the ECI pin (P1.2).

**Figure 39. PCA Timer/Counter**



The CMOD register includes three additional bits associated with the PCA.

- The CIDL bit which allows the PCA to stop during idle mode.
- The WDTE bit which enables or disables the Watchdog function on module 4.
- The ECF bit which when set causes an interrupt and the PCA overflow flag CF in CCON register to be set when the PCA timer overflows.

The CCON register contains the run control bit for the PCA and the flags for the PCA timer and each module.

- The CR bit must be set to run the PCA. The PCA is shut off by clearing this bit.
- The CF bit is set when the PCA counter overflows and an interrupt will be generated if the ECF bit in CMOD register is set. The CF bit can only be cleared by software.
- The CCF0:4 bits are the flags for the modules (CCF0 for module0...) and are set by hardware when either a match or a capture occurs. These flags also can be cleared by software.

## PCA Modules

Each one of the five compare/capture modules has six possible functions. It can perform:

- 16-bit Capture, positive-edge triggered
- 16-bit Capture, negative-edge triggered
- 16-bit Capture, both positive and negative-edge triggered
- 16-bit Software Timer
- 16-bit High Speed Output
- 8-bit Pulse Width Modulator.

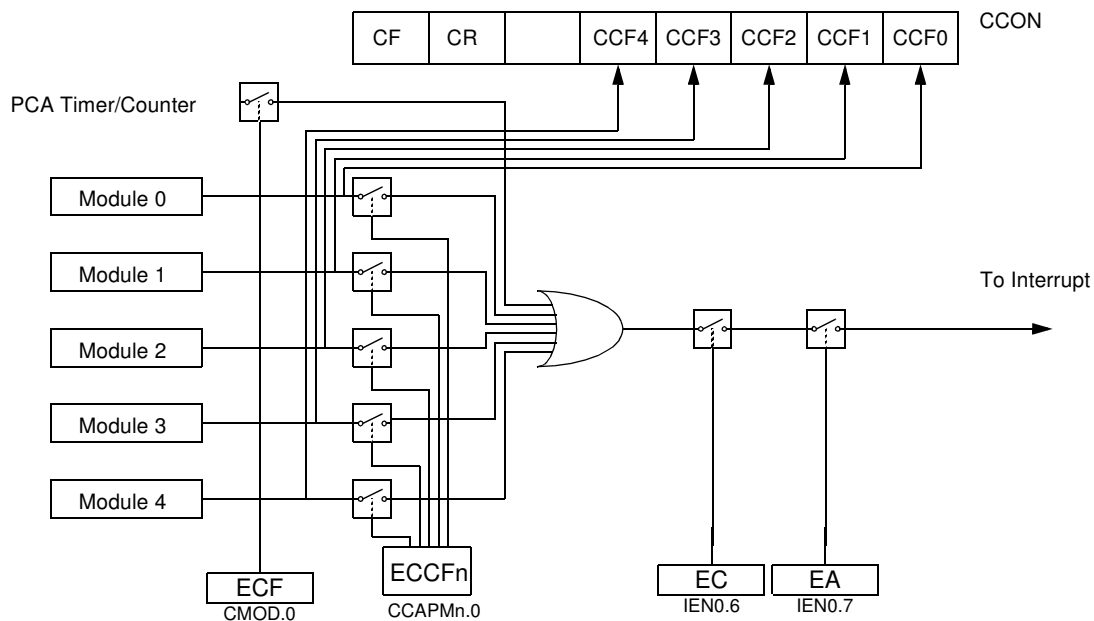
In addition module 4 can be used as a Watchdog Timer.

Each module in the PCA has a special function register associated with it (CCAPM0 for module 0...). The CCAPM0:4 registers contain the bits that control the mode that each module will operate in.

- The ECCF bit enables the CCF flag in the CCON register to generate an interrupt when a match or compare occurs in the associated module.
- The PWM bit enables the pulse width modulation mode.
- The TOG bit when set causes the CEX output associated with the module to toggle when there is a match between the PCA counter and the module's capture/compare register.
- The match bit MAT when set will cause the CCFn bit in the CCON register to be set when there is a match between the PCA counter and the module's capture/compare register.
- The two bits CAPN and CAPP in CCAPMn register determine the edge that a capture input will be active on. The CAPN bit enables the negative edge, and the CAPP bit enables the positive edge. If both bits are set both edges will be enabled.
- The bit ECOM in CCAPM register when set enables the comparator function.

## PCA Interrupt

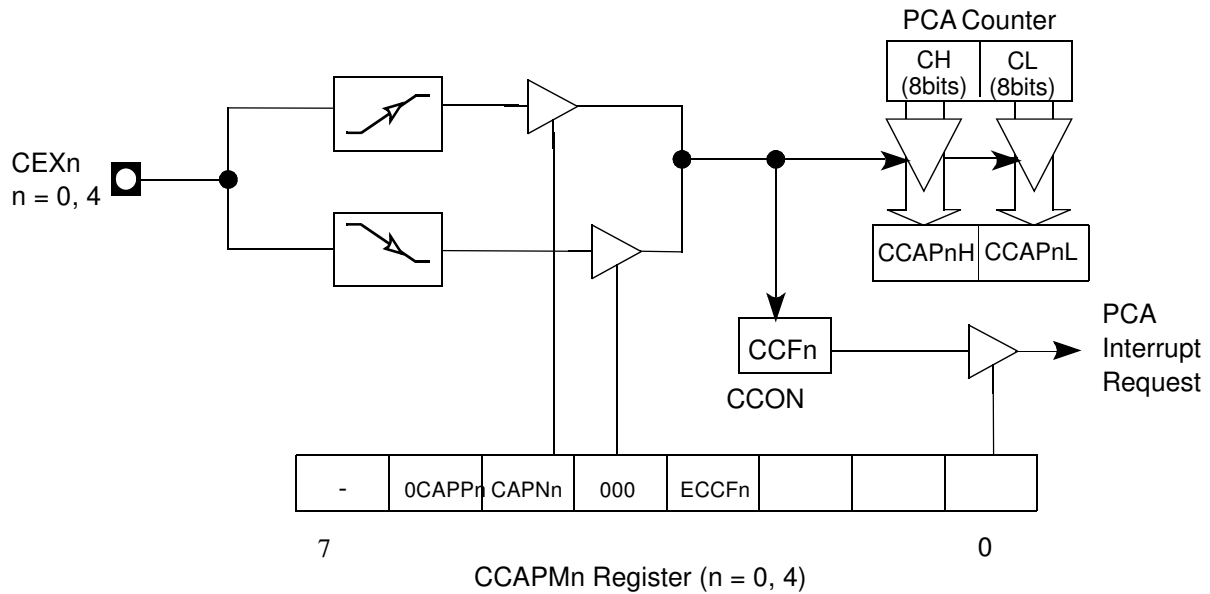
Figure 40. PCA Interrupt System



## PCA Capture Mode

To use one of the PCA modules in capture mode either one or both of the CCAPM bits CAPN and CAPP for that module must be set. The external CEX input for the module (on port 1) is sampled for a transition. When a valid transition occurs the PCA hardware loads the value of the PCA counter registers (CH and CL) into the module's capture registers (CCAPnL and CCAPnH). If the CCFn bit for the module in the CCON SFR and the ECCFn bit in the CCAPMn SFR are set then an interrupt will be generated.

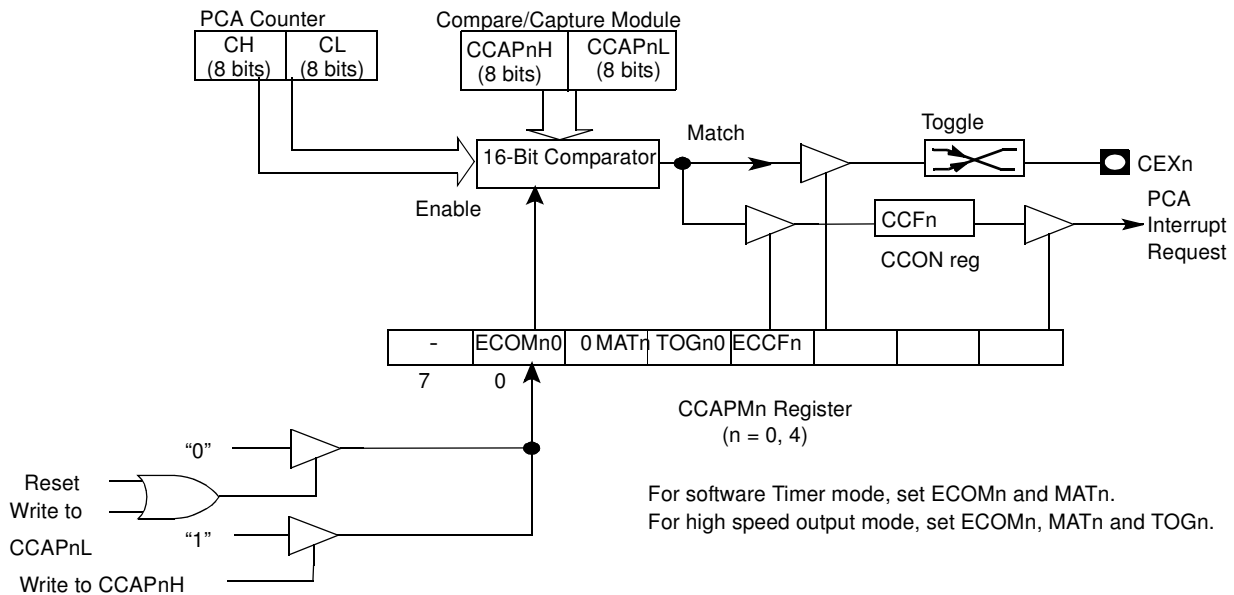
**Figure 41. PCA Capture Mode**



**16-bit Software Timer Mode**

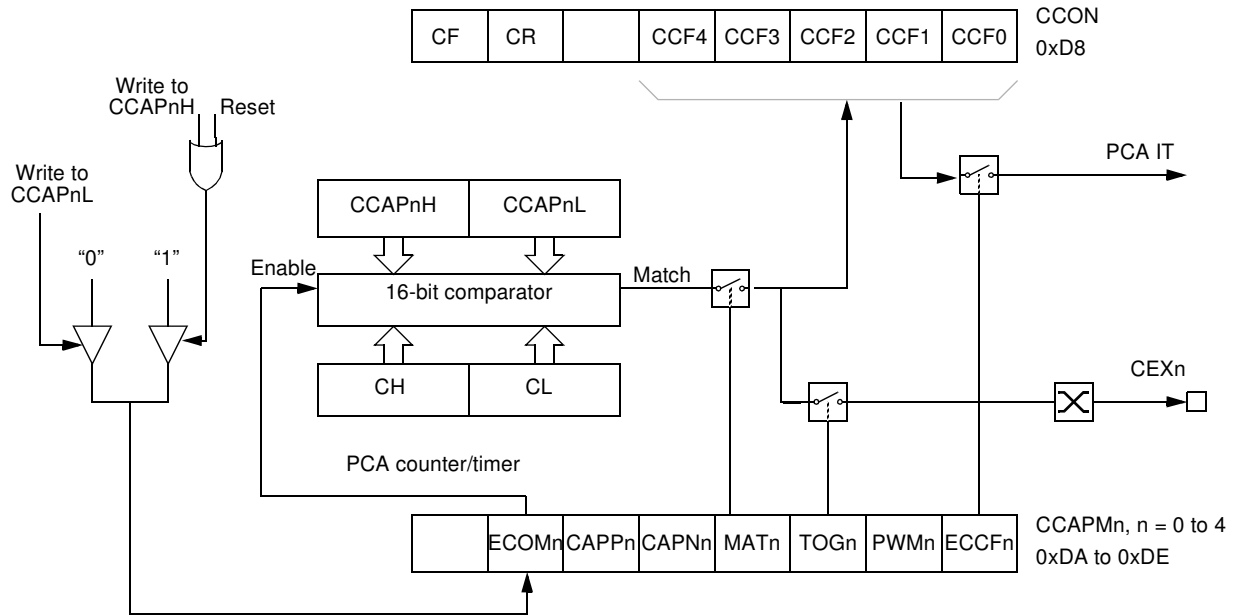
The PCA modules can be used as software timers by setting both the ECOM and MAT bits in the modules CCAPMn register. The PCA timer will be compared to the module's capture registers and when a match occurs an interrupt will occur if the CCFn (CCON SFR) and the ECCFn (CCAPMn SFR) bits for the module are both set.

**Figure 42. PCA 16-bit Software Timer and High Speed Output Mode**



**High Speed Output Mode** In this mode the CEX output (on port 1) associated with the PCA module will toggle each time a match occurs between the PCA counter and the module's capture registers. To activate this mode the TOG, MAT, and ECOM bits in the module's CCAPMn SFR must be set.

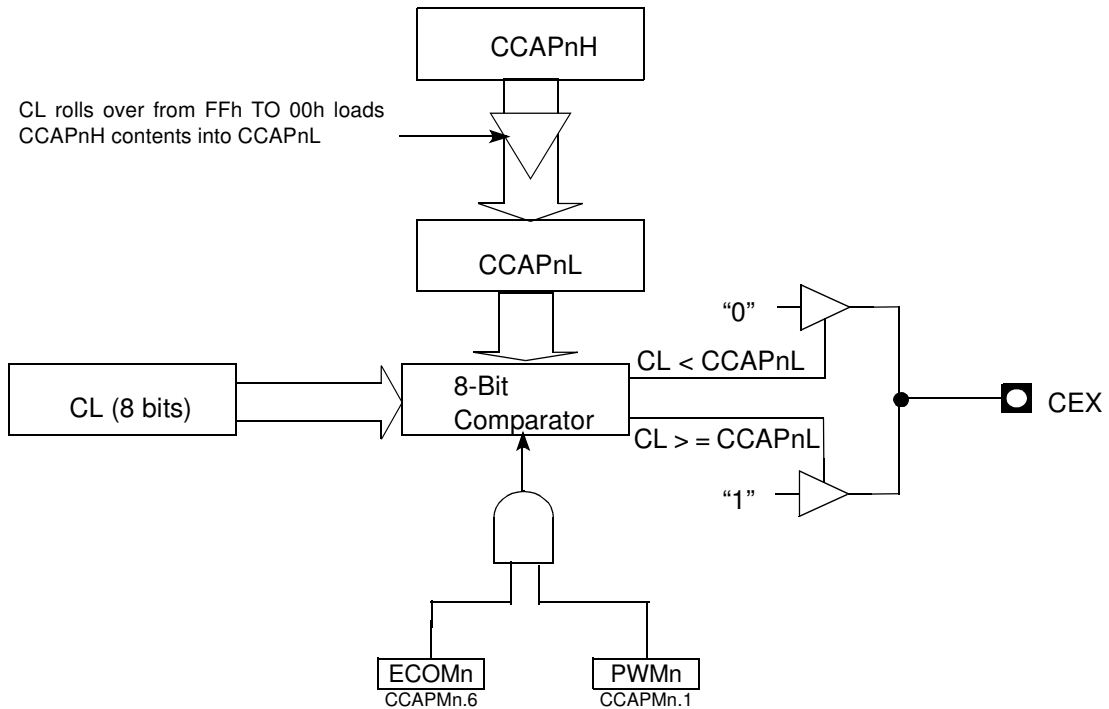
**Figure 43.** PCA High Speed Output Mode



**Pulse Width Modulator Mode**

All the PCA modules can be used as PWM outputs. The output frequency depends on the source for the PCA timer. All the modules will have the same output frequency because they all share the PCA timer. The duty cycle of each module is independently variable using the module's capture register CCAPLn. When the value of the PCA CL SFR is less than the value in the module's CCAPLn SFR the output will be low, when it is equal to or greater than it, the output will be high. When CL overflows from FF to 00, CCAPLn is reloaded with the value in CCAPHn. the allows the PWM to be updated without glitches. The PWM and ECOM bits in the module's CCAPMn register must be set to enable the PWM mode.

Figure 44. PCA PWM Mode



## PCA Watchdog Timer

An on-board Watchdog timer is available with the PCA to improve system reliability without increasing chip count. Watchdog timers are useful for systems that are sensitive to noise, power glitches, or electrostatic discharge. Module 4 is the only PCA module that can be programmed as a Watchdog. However, this module can still be used for other modes if the Watchdog is not needed. The user pre-loads a 16-bit value in the compare registers. Just like the other compare modes, this 16-bit value is compared to the PCA timer value. If a match is allowed to occur, an internal reset will be generated. This will not cause the RST pin to be driven high.

To hold off the reset, the user has three options:

- periodically change the compare value so it will never match the PCA timer,
- periodically change the PCA timer value so it will never match the compare values, or
- disable the Watchdog by clearing the WDTE bit before a match occurs and then re-enable it.

The first two options are more reliable because the Watchdog timer is never disabled as in the third option. If the program counter ever goes astray, a match will eventually occur and cause an internal reset. If other PCA modules are being used the second option not recommended either. Remember, the PCA timer is the time base for all modules; changing the time base for other modules would not be a good idea. Thus, in most applications the first solution is the best option.



PCA Registers

Table 55. CMOD Register

CMOD (S:D9h)  
PCA Counter Mode Register

|      |      |   |   |   |      |      |     |
|------|------|---|---|---|------|------|-----|
| 7    | 6    | 5 | 4 | 3 | 2    | 1    | 0   |
| CIDL | WDTE | - | - | - | CPS1 | CPS0 | ECF |

| Bit Number | Bit Mnemonic | Description   |      |      |              |   |   |                        |   |   |                        |   |   |                  |   |   |   |
|------------|--------------|---|------|------|--------------|---|---|------------------------|---|---|------------------------|---|---|------------------|---|---|---|
| 7          | CIDL         | <b>PCA Counter Idle Control bit</b><br>Clear to let the PCA run during Idle mode.<br>Set to stop the PCA when Idle mode is invoked.   |      |      |              |   |   |                        |   |   |                        |   |   |                  |   |   |   |
| 6          | WDTE         | <b>Watchdog Timer Enable</b><br>Clear to disable Watchdog Timer function on PCA Module 4,<br>Set to enable it.  |      |      |              |   |   |                        |   |   |                        |   |   |                  |   |   |   |
| 5          | -            | <b>Reserved</b><br>The value read from this bit is indeterminate. Do not set this bit.  |      |      |              |   |   |                        |   |   |                        |   |   |                  |   |   |   |
| 4          | -            | <b>Reserved</b><br>The value read from this bit is indeterminate. Do not set this bit.  |      |      |              |   |   |                        |   |   |                        |   |   |                  |   |   |   |
| 3          | -            | <b>Reserved</b><br>The value read from this bit is indeterminate. Do not set this bit.  |      |      |              |   |   |                        |   |   |                        |   |   |                  |   |   |   |
| 2-1        | CPS1:0       | <b>EWC Count Pulse Select bits</b><br><table border="1" style="font-size: small;"> <thead> <tr> <th>CPS1</th> <th>CPS0</th> <th>Clock source</th> </tr> </thead> <tbody> <tr> <td>0</td> <td>0</td> <td>Internal Clock, FPca/6</td> </tr> <tr> <td>0</td> <td>1</td> <td>Internal Clock, FPca/2</td> </tr> <tr> <td>1</td> <td>0</td> <td>Timer 0 overflow</td> </tr> <tr> <td>1</td> <td>1</td> <td>External clock at ECI/P1.2 pin (Max. Rate = FPca/4)</td> </tr> </tbody> </table> | CPS1 | CPS0 | Clock source | 0 | 0 | Internal Clock, FPca/6 | 0 | 1 | Internal Clock, FPca/2 | 1 | 0 | Timer 0 overflow | 1 | 1 | External clock at ECI/P1.2 pin (Max. Rate = FPca/4) |
| CPS1       | CPS0         | Clock source  |      |      |              |   |   |                        |   |   |                        |   |   |                  |   |   |   |
| 0          | 0            | Internal Clock, FPca/6  |      |      |              |   |   |                        |   |   |                        |   |   |                  |   |   |   |
| 0          | 1            | Internal Clock, FPca/2  |      |      |              |   |   |                        |   |   |                        |   |   |                  |   |   |   |
| 1          | 0            | Timer 0 overflow  |      |      |              |   |   |                        |   |   |                        |   |   |                  |   |   |   |
| 1          | 1            | External clock at ECI/P1.2 pin (Max. Rate = FPca/4)   |      |      |              |   |   |                        |   |   |                        |   |   |                  |   |   |   |
| 0          | ECF          | <b>Enable PCA Counter Overflow Interrupt bit</b><br>Clear to disable CF bit in CCON register to generate an interrupt.<br>Set to enable CF bit in CCON register to generate an interrupt.   |      |      |              |   |   |                        |   |   |                        |   |   |                  |   |   |   |

Reset Value = 00XX X000b

**Table 56.** CCON Register

CCON (S:D8h)  
PCA Counter Control Register

| 7          | 6            | 5   | 4    | 3    | 2    | 1    | 0    |
|------------|--------------|---|------|------|------|------|------|
| CF         | CR           | -   | CCF4 | CCF3 | CCF2 | CCF1 | CCF0 |
| Bit Number | Bit Mnemonic | Description   |      |      |      |      |      |
| 7          | CF           | <b>PCA Timer/Counter Overflow flag</b><br>Set by hardware when the PCA Timer/Counter rolls over. This generates a PCA interrupt request if the ECF bit in CMOD register is set. Must be cleared by software.  |      |      |      |      |      |
| 6          | CR           | <b>PCA Timer/Counter Run Control bit</b><br>Clear to turn the PCA Timer/Counter off.<br>Set to turn the PCA Timer/Counter on.   |      |      |      |      |      |
| 5          | -            | <b>Reserved</b><br>The value read from this bit is indeterminate. Do not set this bit.  |      |      |      |      |      |
| 4          | CCF4         | <b>PCA Module 4 Compare/Capture flag</b><br>Set by hardware when a match or capture occurs. This generates a PCA interrupt request if the ECCF 4 bit in CCAPM 4 register is set. Must be cleared by software. |      |      |      |      |      |
| 3          | CCF3         | <b>PCA Module 3 Compare/Capture flag</b><br>Set by hardware when a match or capture occurs. This generates a PCA interrupt request if the ECCF 3 bit in CCAPM 3 register is set. Must be cleared by software. |      |      |      |      |      |
| 2          | CCF2         | <b>PCA Module 2 Compare/Capture flag</b><br>Set by hardware when a match or capture occurs. This generates a PCA interrupt request if the ECCF 2 bit in CCAPM 2 register is set. Must be cleared by software. |      |      |      |      |      |
| 1          | CCF1         | <b>PCA Module 1 Compare/Capture flag</b><br>Set by hardware when a match or capture occurs. This generates a PCA interrupt request if the ECCF 1 bit in CCAPM 1 register is set. Must be cleared by software. |      |      |      |      |      |
| 0          | CCF0         | <b>PCA Module 0 Compare/Capture flag</b><br>Set by hardware when a match or capture occurs. This generates a PCA interrupt request if the ECCF 0 bit in CCAPM 0 register is set. Must be cleared by software. |      |      |      |      |      |

Reset Value = 00X0 0000b

**Table 57.** CCAPnH Registers

CCAP0H (S:FAh)  
 CCAP1H (S:FBh)  
 CCAP2H (S:FCh)  
 CCAP3H (S:FDh)  
 CCAP4H (S:FEh)  
 PCA High Byte Compare/Capture Module n Register (n=0..4)

|  |          |          |          |          |          |          |          |          |
|--|----------|----------|----------|----------|----------|----------|----------|----------|
|  | 7        | 6        | 5        | 4        | 3        | 2        | 1        | 0        |
|  | CCAPnH 7 | CCAPnH 6 | CCAPnH 5 | CCAPnH 4 | CCAPnH 3 | CCAPnH 2 | CCAPnH 1 | CCAPnH 0 |

| Bit Number | Bit Mnemonic  | Description                                       |
|------------|---------------|---|
| 7:0        | CCAPnH<br>7:0 | High byte of EWC-PCA comparison or capture values |

Reset Value = 0000 0000b

**Table 58.** CCAPnL Registers

CCAP0L (S:EAh)  
 CCAP1L (S:EBh)  
 CCAP2L (S:ECh)  
 CCAP3L (S:EDh)  
 CCAP4L (S:EEh)  
 PCA Low Byte Compare/Capture Module n Register (n=0..4)

|  |          |          |          |          |          |          |          |          |
|--|----------|----------|----------|----------|----------|----------|----------|----------|
|  | 7        | 6        | 5        | 4        | 3        | 2        | 1        | 0        |
|  | CCAPnL 7 | CCAPnL 6 | CCAPnL 5 | CCAPnL 4 | CCAPnL 3 | CCAPnL 2 | CCAPnL 1 | CCAPnL 0 |

| Bit Number | Bit Mnemonic  | Description                                      |
|------------|---------------|--|
| 7:0        | CCAPnL<br>7:0 | Low byte of EWC-PCA comparison or capture values |

Reset Value = 0000 0000b

**Table 59.** CCAPMn Registers

CCAPM0 (S:DAh)  
 CCAPM1 (S:DBh)  
 CCAPM2 (S:DCh)  
 CCAPM3 (S:DDh)  
 CCAPM4 (S:DEh)  
 PCA Compare/Capture Module n Mode registers (n=0..4)

| 7          | 6            | 5  | 4     | 3    | 2    | 1    | 0     |
|------------|--------------|--|-------|------|------|------|-------|
| -          | ECOMn        | CAPPn  | CAPNn | MATn | TOGn | PWMn | ECCFn |
| Bit Number | Bit Mnemonic | Description  |       |      |      |      |       |
| 7          | -            | <b>Reserved</b><br>The Value read from this bit is indeterminate. Do not set this bit.   |       |      |      |      |       |
| 6          | ECOMn        | <b>Enable Compare Mode Module x bit</b><br>Clear to disable the Compare function.<br>Set to enable the Compare function.<br>The Compare function is used to implement the software Timer, the high-speed output, the Pulse Width Modulator (PWM) and the Watchdog Timer (WDT). |       |      |      |      |       |
| 5          | CAPPn        | <b>Capture Mode (Positive) Module x bit</b><br>Clear to disable the Capture function triggered by a positive edge on CEXx pin.<br>Set to enable the Capture function triggered by a positive edge on CEXx pin  |       |      |      |      |       |
| 4          | CAPNn        | <b>Capture Mode (Negative) Module x bit</b><br>Clear to disable the Capture function triggered by a negative edge on CEXx pin.<br>Set to enable the Capture function triggered by a negative edge on CEXx pin.   |       |      |      |      |       |
| 3          | MATn         | <b>Match Module x bit</b><br>Set when a match of the PCA Counter with the Compare/Capture register sets CCFx bit in CCON register, flagging an interrupt.  |       |      |      |      |       |
| 2          | TOGn         | <b>Toggle Module x bit</b><br>The toggle mode is configured by setting ECOMx, MATx and TOGx bits.<br>Set when a match of the PCA Counter with the Compare/Capture register toggles the CEXx pin.   |       |      |      |      |       |
| 1          | PWMn         | <b>Pulse Width Modulation Module x Mode bit</b><br>Set to configure the module x as an 8-bit Pulse Width Modulator with output waveform on CEXx pin.   |       |      |      |      |       |
| 0          | ECCFn        | <b>Enable CCFx Interrupt bit</b><br>Clear to disable CCFx bit in CCON register to generate an interrupt request.<br>Set to enable CCFx bit in CCON register to generate an interrupt request.  |       |      |      |      |       |

Reset Value = X000 0000b

**Table 60.** CH Register

CH (S:F9h)  
PCA Counter Register High Value

|  |      |      |      |      |      |      |      |      |
|--|------|------|------|------|------|------|------|------|
|  | 7    | 6    | 5    | 4    | 3    | 2    | 1    | 0    |
|  | CH 7 | CH 6 | CH 5 | CH 4 | CH 3 | CH 2 | CH 1 | CH 0 |

| Bit Number | Bit Mnemonic | Description                |
|------------|--------------|----------------------------|
| 7:0        | CH 7:0       | High byte of Timer/Counter |

Reset Value = 0000 00000b

**Table 61.** CL Register

CL (S:E9h)  
PCA counter Register Low Value

|  |      |      |      |      |      |      |      |      |
|--|------|------|------|------|------|------|------|------|
|  | 7    | 6    | 5    | 4    | 3    | 2    | 1    | 0    |
|  | CL 7 | CL 6 | CL 5 | CL 4 | CL 3 | CL 2 | CL 1 | CL 0 |

| Bit Number | Bit Mnemonic | Description               |
|------------|--------------|---------------------------|
| 7:0        | CL0 7:0      | Low byte of Timer/Counter |

Reset Value = 0000 00000b

## Analog-to-Digital Converter (ADC)

This section describes the on-chip 10 bit analog-to-digital converter of the A/T89C51AC2. Eight ADC channels are available for sampling of the external sources AN0 to AN7. An analog multiplexer allows the single ADC converter to select one from the 8 ADC channels as ADC input voltage (ADCIN). ADCIN is converted by the 10-bit cascaded potentiometric ADC.

Two modes of conversion are available:

- Standard conversion (8 bits).
- Precision conversion (10 bits).

For the precision conversion, set bit PSIDLE in ADCON register and start conversion. The device is in a pseudo-idle mode, the CPU does not run but the peripherals are always running. This mode allows digital noise to be as low as possible, to ensure high precision conversion.

For this mode it is necessary to work with end of conversion interrupt, which is the only way to wake the device up.

If another interrupt occurs during the precision conversion, it will be served only after this conversion is completed.

## Features

- 8 channels with multiplexed inputs
- 10-bit cascaded potentiometric ADC
- Conversion time 16 micro-seconds (typ.)
- Zero Error (offset)  $\pm 2$  LSB max
- Positive External Reference Voltage Range (VAREF) 2.4 to 3.0 Volt (typ.)
- ADCIN Range 0 to 3Volt
- Integral non-linearity typical 1 LSB, max. 2 LSB
- Differential non-linearity typical 0.5 LSB, max. 1 LSB
- Conversion Complete Flag or Conversion Complete Interrupt
- Selectable ADC Clock

## ADC Port 1 I/O Functions

Port 1 pins are general I/O that are shared with the ADC channels. The channel select bit in ADCF register define which ADC channel/port1 pin will be used as ADCIN. The remaining ADC channels/port1 pins can be used as general-purpose I/O or as the alternate function that is available.

A conversion launched on a channel which are not selected on ADCF register will not have any effect.

## VAREF

VAREF should be connected to a low impedance point and must remain in the range specified in Table 77. If the ADC is not used, it is recommended to connect VAREF to VAGND.

Figure 45. ADC Description

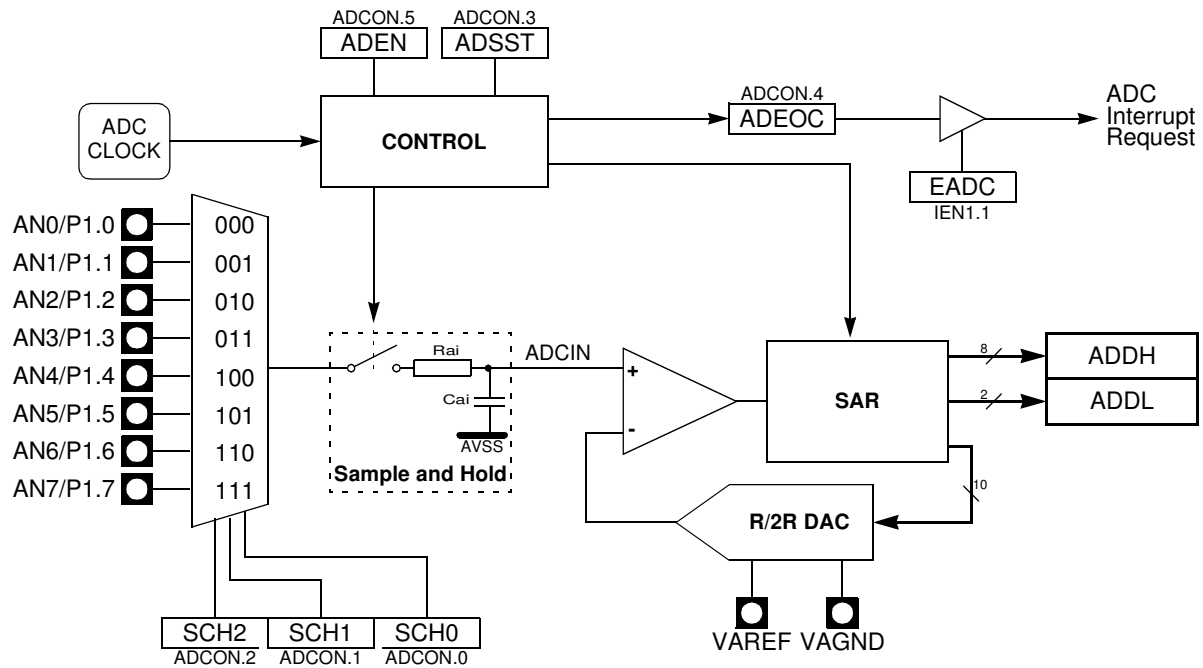
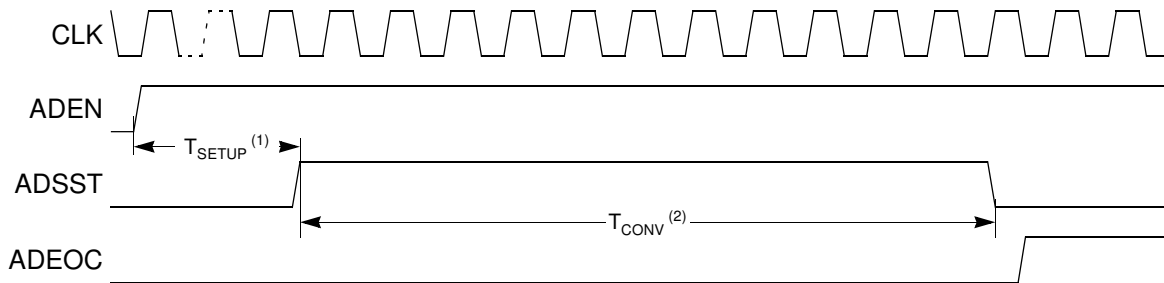


Figure 46 shows the timing diagram of a complete conversion. For simplicity, the figure depicts the waveforms in idealized form and do not provide precise timing information. For ADC characteristics and timing parameters refer to the Section “AC Characteristics” of the A/T89C51AC2 datasheet.

Figure 46. Timing Diagram



- Notes:
1. Tsetup min, see the AC Parameter for A/D conversion.
  2. Tconv = 11 clock ADC = 1sample and hold + 10 bit conversion  
The user must ensure that Tsetup time between setting ADEN and the start of the first conversion.

## ADC Converter Operation

A start of single A/D conversion is triggered by setting bit ADSST (ADCON.3).

After completion of the A/D conversion, the ADSST bit is cleared by hardware.

The end-of-conversion flag ADEOC (ADCON.4) is set when the value of conversion is available in ADDH and ADDL, it must be cleared by software. If the bit EADC (IEN1.1) is set, an interrupt occur when flag ADEOC is set (see Figure 48). Clear this flag for re-arming the interrupt.

The bits SCH0 to SCH2 in ADCON register are used for the analog input channel selection.<sup>(1)</sup>

Note: 1. Always leave Tsetup time before starting a conversion unless ADEN is permanently high. In this case one should wait Tsetup only before the first conversion.

**Table 62.** Selected Analog input

| SCH2 | SCH1 | SCH0 | Selected Analog input |
|------|------|------|-----------------------|
| 0    | 0    | 0    | AN0                   |
| 0    | 0    | 1    | AN1                   |
| 0    | 1    | 0    | AN2                   |
| 0    | 1    | 1    | AN3                   |
| 1    | 0    | 0    | AN4                   |
| 1    | 0    | 1    | AN5                   |
| 1    | 1    | 0    | AN6                   |
| 1    | 1    | 1    | AN7                   |

## Voltage Conversion

When the ADCIN is equals to VAREF the ADC converts the signal to 3FFh (full scale). If the input voltage equals VAGND, the ADC converts it to 000h. Input voltage between VAREF and VAGND are a straight-line linear conversion. All other voltages will result in 3FFh if greater than VAREF and 000h if less than VAGND.

Note: ADCIN should not exceed VAREF absolute maximum range (see “Absolute Maximum Ratings” on page 141)

## Clock Selection

The ADC clock is the same as CPU.

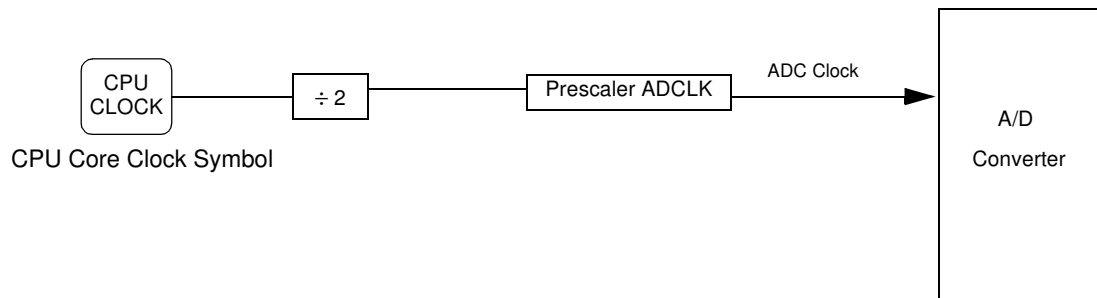
The maximum clock frequency is defined in the DC parameter for A/D converter. A prescaler is featured (ADCCLK) to generate the ADC clock from the oscillator frequency.

if PRS > 0 then  $f_{ADC} = F_{periph} / 2 \times PRS$

if PRS = 0 then  $f_{ADC} = F_{periph} / 64$



**Figure 47.** A/D Converter clock



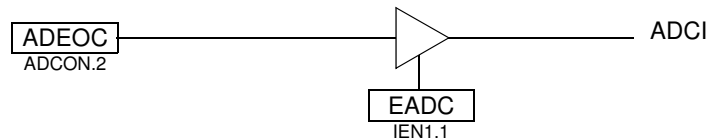
## ADC Standby Mode

When the ADC is not used, it is possible to set it in standby mode by clearing bit ADEN in ADCON register. In this mode its power dissipation is reduced.

## IT ADC Management

An interrupt end-of-conversion will occurs when the bit ADEOC is activated and the bit EADC is set. For re-arming the interrupt the bit ADEOC must be cleared by software.

**Figure 48.** ADC Interrupt Structure



## Routines examples

### 1. Configure P1.2 and P1.3 in ADC channels

```
// configure channel P1.2 and P1.3 for ADC
ADCF = 0Ch
```

```
// Enable the ADC
ADCON = 20h
```

### 2. Start a standard conversion

```
// The variable "channel" contains the channel to convert
// The variable "value_converted" is an unsigned int
// Clear the field SCH[2:0]
ADCON and = F8h
// Select channel
ADCON | = channel
// Start conversion in standard mode
ADCON | = 08h
// Wait flag End of conversion
while((ADCON and 01h) != 01h)
// Clear the End of conversion flag
ADCON and = EFh
// read the value
value_converted = (ADDH << 2)+(ADDL)
```

### 3. Start a precision conversion (need interrupt ADC)

```
// The variable "channel" contains the channel to convert
// Enable ADC
EADC = 1
```

```
// clear the field SCH[2:0]
ADCON and = F8h
// Select the channel
ADCON | = channel
// Start conversion in precision mode
ADCON | = 48h
```

Note: to enable the ADC interrupt:  
EA = 1

Registers

**Table 63.** ADCF Register

ADCF (S:F6h)  
ADC Configuration

| 7          | 6            | 5  | 4    | 3    | 2    | 1    | 0    |
|------------|--------------|--|------|------|------|------|------|
| CH 7       | CH 6         | CH 5   | CH 4 | CH 3 | CH 2 | CH 1 | CH 0 |
| Bit Number | Bit Mnemonic | Description  |      |      |      |      |      |
| 7-0        | CH 0:7       | <b>Channel Configuration</b><br>Set to use P1.x as ADC input.<br>Clear to use P1.x as standart I/O port. |      |      |      |      |      |

Reset Value = 0000 0000b

**Table 64.** ADCON Register

ADCON (S:F3h)  
ADC Control Register

| 7          | 6            | 5   | 4     | 3     | 2    | 1    | 0    |
|------------|--------------|---|-------|-------|------|------|------|
| -          | PSIDLE       | ADEN  | ADEOC | ADSST | SCH2 | SCH1 | SCH0 |
| Bit Number | Bit Mnemonic | Description   |       |       |      |      |      |
| 7          | -            |   |       |       |      |      |      |
| 6          | PSIDLE       | <b>Pseudo Idle Mode (Best Precision)</b><br>Set to put in idle mode during conversion<br>Clear to convert without idle mode.                          |       |       |      |      |      |
| 5          | ADEN         | <b>Enable/Standby Mode</b><br>Set to enable ADC<br>Clear for Standby mode (power dissipation 1 uW).   |       |       |      |      |      |
| 4          | ADEOC        | <b>End Of Conversion</b><br>Set by hardware when ADC result is ready to be read. This flag can generate an interrupt.<br>Must be cleared by software. |       |       |      |      |      |
| 3          | ADSST        | <b>Start and Status</b><br>Set to start an A/D conversion.<br>Cleared by hardware after completion of the conversion                                  |       |       |      |      |      |
| 2-0        | SCH2:0       | <b>Selection of Channel to Convert</b><br>see Table 62  |       |       |      |      |      |

Reset Value = X000 0000b

**Table 65.** ADCLK Register

ADCLK (S:F2h)  
ADC Clock Prescaler

|   |   |   |       |       |       |       |       |
|---|---|---|-------|-------|-------|-------|-------|
| 7 | 6 | 5 | 4     | 3     | 2     | 1     | 0     |
| - | - | - | PRS 4 | PRS 3 | PRS 2 | PRS 1 | PRS 0 |

| Bit Number | Bit Mnemonic | Description   |
|------------|--------------|---|
| 7-5        | -            | <b>Reserved</b><br>The value read from these bits are indeterminate. Do not set these bits.         |
| 4-0        | PRS4:0       | <b>Clock Prescaler</b><br>$f_{ADC} = f_{cpu\ clock} / (4 \text{ (or } 2 \text{ in X2 mode)} * PRS)$ |

Reset Value = XXX0 0000b

**Table 66.** ADDH Register

ADDH (S:F5h Read Only)  
ADC Data High Byte Register

|        |        |        |        |        |        |        |        |
|--------|--------|--------|--------|--------|--------|--------|--------|
| 7      | 6      | 5      | 4      | 3      | 2      | 1      | 0      |
| ADAT 9 | ADAT 8 | ADAT 7 | ADAT 6 | ADAT 5 | ADAT 4 | ADAT 3 | ADAT 2 |

| Bit Number | Bit Mnemonic | Description                   |
|------------|--------------|-------------------------------|
| 7-0        | ADAT9:2      | <b>ADC result</b><br>bits 9-2 |

Reset Value = 00h

**Table 67.** ADDL Register

ADDL (S:F4h Read Only)  
ADC Data Low Byte Register

|   |   |   |   |   |   |        |        |
|---|---|---|---|---|---|--------|--------|
| 7 | 6 | 5 | 4 | 3 | 2 | 1      | 0      |
| - | - | - | - | - | - | ADAT 1 | ADAT 0 |

| Bit Number | Bit Mnemonic | Description   |
|------------|--------------|---|
| 7-2        | -            | <b>Reserved</b><br>The value read from these bits are indeterminate. Do not set these bits. |
| 1-0        | ADAT1:0      | <b>ADC result</b><br>bits 1-0   |

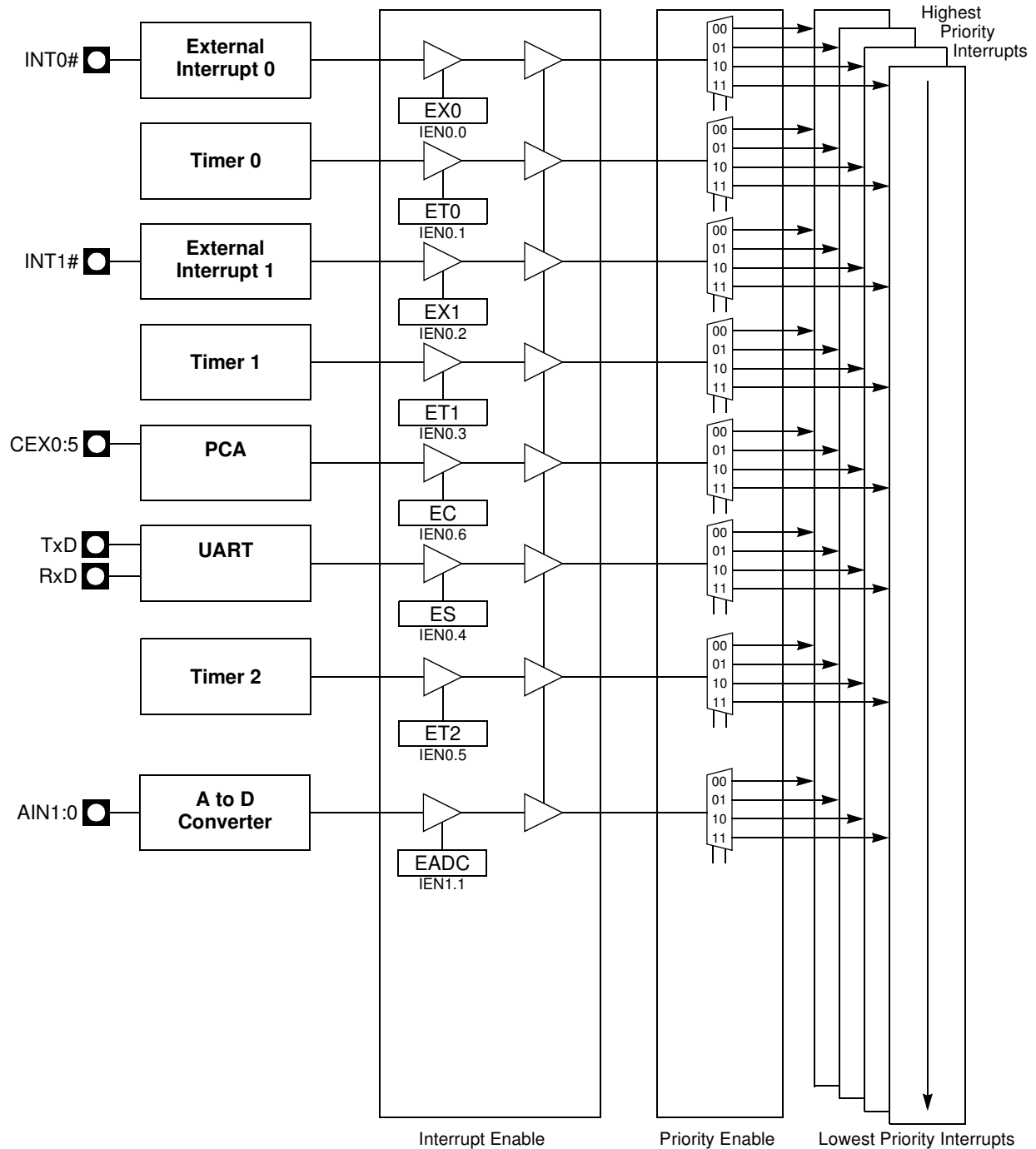
Reset Value = 00h

# Interrupt System

## Introduction

The controller has a total of 8 interrupt vectors: two external interrupts ( $\overline{INT0}$  and  $\overline{INT1}$ ), three timer interrupts (Timers 0, 1 and 2), a serial port interrupt, a PCA, a timer overrun interrupt and an ADC. These interrupts are shown below.

Figure 49. Interrupt Control System



Each of the interrupt sources can be individually enabled or disabled by setting or clearing a bit in the Interrupt Enable register. This register also contains a global disable bit which must be cleared to disable all the interrupts at the same time.

Each interrupt source can also be individually programmed to one of four priority levels by setting or clearing a bit in the Interrupt Priority registers. The Table below shows the bit values and priority levels associated with each combination.

**Table 68.** Priority Level Bit Values

| IPH.x | IPL.x | Interrupt Level Priority |
|-------|-------|--------------------------|
| 0     | 0     | 0 (Lowest)               |
| 0     | 1     | 1                        |
| 1     | 0     | 2                        |
| 1     | 1     | 3 (Highest)              |

A low-priority interrupt can be interrupted by a high priority interrupt but not by another low-priority interrupt. A high-priority interrupt cannot be interrupted by any other interrupt source.

If two interrupt requests of different priority levels are received simultaneously, the request of the higher priority level is serviced. If interrupt requests of the same priority level are received simultaneously, an internal polling sequence determines which request is serviced. Thus within each priority level there is a second priority structure determined by the polling sequence, see Table 69.

**Table 69.** Interrupt Priority Within level

| Interrupt Name            | Interrupt Address Vector | Priority Number |
|---------------------------|--------------------------|-----------------|
| external interrupt (INT0) | 0003h                    | 1               |
| Timer 0 (TF0)             | 000Bh                    | 2               |
| external interrupt (INT1) | 0013h                    | 3               |
| Timer 1 (TF1)             | 001Bh                    | 4               |
| PCA (CF or CCFn)          | 0033h                    | 5               |
| UART (RI or TI)           | 0023h                    | 6               |
| Timer 2 (TF2)             | 002Bh                    | 7               |
| ADC (ADCI)                | 0043h                    | 9               |

## Registers

Table 70. IEN0 Register

IEN0 (S:A8h)  
Interrupt Enable Register

| 7          | 6            | 5   | 4  | 3   | 2   | 1   | 0   |
|------------|--------------|---|----|-----|-----|-----|-----|
| EA         | EC           | ET2   | ES | ET1 | EX1 | ET0 | EX0 |
| Bit Number | Bit Mnemonic | Description   |    |     |     |     |     |
| 7          | EA           | <b>Enable All Interrupt bit</b><br>Clear to disable all interrupts.<br>Set to enable all interrupts.<br>If EA=1, each interrupt source is individually enabled or disabled by setting or clearing its interrupt enable bit. |    |     |     |     |     |
| 6          | EC           | <b>PCA Interrupt Enable</b><br>Clear to disable the PCA interrupt.<br>Set to enable the PCA interrupt.  |    |     |     |     |     |
| 5          | ET2          | <b>Timer 2 Overflow Interrupt Enable bit</b><br>Clear to disable Timer 2 overflow interrupt.<br>Set to enable Timer 2 overflow interrupt.   |    |     |     |     |     |
| 4          | ES           | <b>Serial Port Enable bit</b><br>Clear to disable serial port interrupt.<br>Set to enable serial port interrupt.  |    |     |     |     |     |
| 3          | ET1          | <b>Timer 1 Overflow Interrupt Enable bit</b><br>Clear to disable timer 1 overflow interrupt.<br>Set to enable timer 1 overflow interrupt.   |    |     |     |     |     |
| 2          | EX1          | <b>External Interrupt 1 Enable bit</b><br>Clear to disable external interrupt 1.<br>Set to enable external interrupt 1.   |    |     |     |     |     |
| 1          | ET0          | <b>Timer 0 Overflow Interrupt Enable bit</b><br>Clear to disable timer 0 overflow interrupt.<br>Set to enable timer 0 overflow interrupt.   |    |     |     |     |     |
| 0          | EX0          | <b>External Interrupt 0 Enable bit</b><br>Clear to disable external interrupt 0.<br>Set to enable external interrupt 0.   |    |     |     |     |     |

Reset Value = 0000 0000b  
bit addressable

**Table 71.** IEN1 Register

IEN1 (S:E8h)  
Interrupt Enable Register

|          |          |          |          |          |          |             |          |
|----------|----------|----------|----------|----------|----------|-------------|----------|
| <b>7</b> | <b>6</b> | <b>5</b> | <b>4</b> | <b>3</b> | <b>2</b> | <b>1</b>    | <b>0</b> |
| -        | -        | -        | -        | -        | -        | <b>EADC</b> | -        |

| Bit Number | Bit Mnemonic | Description  |
|------------|--------------|--|
| 7          | -            | <b>Reserved</b><br>The value read from this bit is indeterminate. Do not set this bit.                     |
| 6          | -            | <b>Reserved</b><br>The value read from this bit is indeterminate. Do not set this bit.                     |
| 5          | -            | <b>Reserved</b><br>The value read from this bit is indeterminate. Do not set this bit.                     |
| 4          | -            | <b>Reserved</b><br>The value read from this bit is indeterminate. Do not set this bit.                     |
| 3          | -            | <b>Reserved</b><br>The value read from this bit is indeterminate. Do not set this bit.                     |
| 2          | -            | <b>Reserved</b><br>The value read from this bit is indeterminate. Do not set this bit.                     |
| 1          | EADC         | <b>ADC Interrupt Enable bit</b><br>Clear to disable the ADC interrupt.<br>Set to enable the ADC interrupt. |
| 0          | -            | <b>Reserved</b><br>The value read from this bit is indeterminate. Do not set this bit.                     |

Reset Value = xxxx xx00b  
bit addressable



**Table 72.** IPL0 Register

IPL0 (S:B8h)  
Interrupt Enable Register

| 7          | 6            | 5  | 4  | 3   | 2   | 1   | 0   |
|------------|--------------|--|----|-----|-----|-----|-----|
| -          | PPC          | PT2  | PS | PT1 | PX1 | PT0 | PX0 |
| Bit Number | Bit Mnemonic | Description  |    |     |     |     |     |
| 7          | -            | <b>Reserved</b><br>The value read from this bit is indeterminate. Do not set this bit. |    |     |     |     |     |
| 6          | PPC          | <b>PCA Interrupt Priority bit</b><br>Refer to PPCH for priority level.                 |    |     |     |     |     |
| 5          | PT2          | <b>Timer 2 Overflow Interrupt Priority bit</b><br>Refer to PT2H for priority level.    |    |     |     |     |     |
| 4          | PS           | <b>Serial Port Priority bit</b><br>Refer to PSH for priority level.                    |    |     |     |     |     |
| 3          | PT1          | <b>Timer 1 Overflow Interrupt Priority bit</b><br>Refer to PT1H for priority level.    |    |     |     |     |     |
| 2          | PX1          | <b>External Interrupt 1 Priority bit</b><br>Refer to PX1H for priority level.          |    |     |     |     |     |
| 1          | PT0          | <b>Timer 0 Overflow Interrupt Priority bit</b><br>Refer to PT0H for priority level.    |    |     |     |     |     |
| 0          | PX0          | <b>External Interrupt 0 Priority bit</b><br>Refer to PX0H for priority level.          |    |     |     |     |     |

Reset Value = X000 0000b  
bit addressable

**Table 73.** IPL1 Register

IPL1 (S:F8h)  
Interrupt Priority Low Register 1

|  |          |          |          |          |          |          |          |          |
|--|----------|----------|----------|----------|----------|----------|----------|----------|
|  | <b>7</b> | <b>6</b> | <b>5</b> | <b>4</b> | <b>3</b> | <b>2</b> | <b>1</b> | <b>0</b> |
|  | -        | -        | -        | -        | -        | -        | PADCL    | -        |

| Bit Number | Bit Mnemonic | Description  |
|------------|--------------|--|
| 7          | -            | <b>Reserved</b><br>The value read from this bit is indeterminate. Do not set this bit.         |
| 6          | -            | <b>Reserved</b><br>The value read from this bit is indeterminate. Do not set this bit.         |
| 5          | -            | <b>Reserved</b><br>The value read from this bit is indeterminate. Do not set this bit.         |
| 4          | -            | <b>Reserved</b><br>The value read from this bit is indeterminate. Do not set this bit.         |
| 3          | -            | <b>Reserved</b><br>The value read from this bit is indeterminate. Do not set this bit.         |
| 2          | -            | <b>Reserved</b><br>The value read from this bit is indeterminate. Do not set this bit.         |
| 1          | PADCL        | <b>ADC Interrupt Priority Level Less Significant Bit</b><br>Refer to PSPIH for priority level. |
| 0          | -            | <b>Reserved</b><br>The value read from this bit is indeterminate. Do not set this bit.         |

Reset Value = XXXX XX0Xb  
bit addressable

**Table 74.** IPH0 Register

IPH0 (B7h)  
Interrupt High Priority Register

| 7          | 6            | 5   | 4   | 3    | 2    | 1    | 0    |      |     |                |   |   |        |   |   |  |   |   |  |   |   |                  |
|------------|--------------|---|-----|------|------|------|------|------|-----|----------------|---|---|--------|---|---|--|---|---|--|---|---|------------------|
| -          | PPCH         | PT2H  | PSH | PT1H | PX1H | PT0H | PX0H |      |     |                |   |   |        |   |   |  |   |   |  |   |   |                  |
| Bit Number | Bit Mnemonic | Description   |     |      |      |      |      |      |     |                |   |   |        |   |   |  |   |   |  |   |   |                  |
| 7          | -            | <b>Reserved</b><br>The value read from this bit is indeterminate. Do not set this bit.  |     |      |      |      |      |      |     |                |   |   |        |   |   |  |   |   |  |   |   |                  |
| 6          | PPCH         | <b>PCA Interrupt Priority Level Most Significant bit</b><br><table border="1"> <thead> <tr> <th>PPCH</th> <th>PPC</th> <th>Priority Level</th> </tr> </thead> <tbody> <tr> <td>0</td> <td>0</td> <td>Lowest</td> </tr> <tr> <td>0</td> <td>1</td> <td></td> </tr> <tr> <td>1</td> <td>0</td> <td></td> </tr> <tr> <td>1</td> <td>1</td> <td>Highest priority</td> </tr> </tbody> </table> |     |      |      |      |      | PPCH | PPC | Priority Level | 0 | 0 | Lowest | 0 | 1 |  | 1 | 0 |  | 1 | 1 | Highest priority |
| PPCH       | PPC          | Priority Level  |     |      |      |      |      |      |     |                |   |   |        |   |   |  |   |   |  |   |   |                  |
| 0          | 0            | Lowest  |     |      |      |      |      |      |     |                |   |   |        |   |   |  |   |   |  |   |   |                  |
| 0          | 1            |   |     |      |      |      |      |      |     |                |   |   |        |   |   |  |   |   |  |   |   |                  |
| 1          | 0            |   |     |      |      |      |      |      |     |                |   |   |        |   |   |  |   |   |  |   |   |                  |
| 1          | 1            | Highest priority  |     |      |      |      |      |      |     |                |   |   |        |   |   |  |   |   |  |   |   |                  |
| 5          | PT2H         | <b>Timer 2 Overflow Interrupt High Priority bit</b><br><table border="1"> <thead> <tr> <th>PT2H</th> <th>PT2</th> <th>Priority Level</th> </tr> </thead> <tbody> <tr> <td>0</td> <td>0</td> <td>Lowest</td> </tr> <tr> <td>0</td> <td>1</td> <td></td> </tr> <tr> <td>1</td> <td>0</td> <td></td> </tr> <tr> <td>1</td> <td>1</td> <td>Highest</td> </tr> </tbody> </table>               |     |      |      |      |      | PT2H | PT2 | Priority Level | 0 | 0 | Lowest | 0 | 1 |  | 1 | 0 |  | 1 | 1 | Highest          |
| PT2H       | PT2          | Priority Level  |     |      |      |      |      |      |     |                |   |   |        |   |   |  |   |   |  |   |   |                  |
| 0          | 0            | Lowest  |     |      |      |      |      |      |     |                |   |   |        |   |   |  |   |   |  |   |   |                  |
| 0          | 1            |   |     |      |      |      |      |      |     |                |   |   |        |   |   |  |   |   |  |   |   |                  |
| 1          | 0            |   |     |      |      |      |      |      |     |                |   |   |        |   |   |  |   |   |  |   |   |                  |
| 1          | 1            | Highest   |     |      |      |      |      |      |     |                |   |   |        |   |   |  |   |   |  |   |   |                  |
| 4          | PSH          | <b>Serial Port High Priority bit</b><br><table border="1"> <thead> <tr> <th>PSH</th> <th>PS</th> <th>Priority Level</th> </tr> </thead> <tbody> <tr> <td>0</td> <td>0</td> <td>Lowest</td> </tr> <tr> <td>0</td> <td>1</td> <td></td> </tr> <tr> <td>1</td> <td>0</td> <td></td> </tr> <tr> <td>1</td> <td>1</td> <td>Highest</td> </tr> </tbody> </table>                                |     |      |      |      |      | PSH  | PS  | Priority Level | 0 | 0 | Lowest | 0 | 1 |  | 1 | 0 |  | 1 | 1 | Highest          |
| PSH        | PS           | Priority Level  |     |      |      |      |      |      |     |                |   |   |        |   |   |  |   |   |  |   |   |                  |
| 0          | 0            | Lowest  |     |      |      |      |      |      |     |                |   |   |        |   |   |  |   |   |  |   |   |                  |
| 0          | 1            |   |     |      |      |      |      |      |     |                |   |   |        |   |   |  |   |   |  |   |   |                  |
| 1          | 0            |   |     |      |      |      |      |      |     |                |   |   |        |   |   |  |   |   |  |   |   |                  |
| 1          | 1            | Highest   |     |      |      |      |      |      |     |                |   |   |        |   |   |  |   |   |  |   |   |                  |
| 3          | PT1H         | <b>Timer 1 Overflow Interrupt High Priority bit</b><br><table border="1"> <thead> <tr> <th>PT1H</th> <th>PT1</th> <th>Priority Level</th> </tr> </thead> <tbody> <tr> <td>0</td> <td>0</td> <td>Lowest</td> </tr> <tr> <td>0</td> <td>1</td> <td></td> </tr> <tr> <td>1</td> <td>0</td> <td></td> </tr> <tr> <td>1</td> <td>1</td> <td>Highest</td> </tr> </tbody> </table>               |     |      |      |      |      | PT1H | PT1 | Priority Level | 0 | 0 | Lowest | 0 | 1 |  | 1 | 0 |  | 1 | 1 | Highest          |
| PT1H       | PT1          | Priority Level  |     |      |      |      |      |      |     |                |   |   |        |   |   |  |   |   |  |   |   |                  |
| 0          | 0            | Lowest  |     |      |      |      |      |      |     |                |   |   |        |   |   |  |   |   |  |   |   |                  |
| 0          | 1            |   |     |      |      |      |      |      |     |                |   |   |        |   |   |  |   |   |  |   |   |                  |
| 1          | 0            |   |     |      |      |      |      |      |     |                |   |   |        |   |   |  |   |   |  |   |   |                  |
| 1          | 1            | Highest   |     |      |      |      |      |      |     |                |   |   |        |   |   |  |   |   |  |   |   |                  |
| 2          | PX1H         | <b>External Interrupt 1 High Priority bit</b><br><table border="1"> <thead> <tr> <th>PX1H</th> <th>PX1</th> <th>Priority Level</th> </tr> </thead> <tbody> <tr> <td>0</td> <td>0</td> <td>Lowest</td> </tr> <tr> <td>0</td> <td>1</td> <td></td> </tr> <tr> <td>1</td> <td>0</td> <td></td> </tr> <tr> <td>1</td> <td>1</td> <td>Highest</td> </tr> </tbody> </table>                     |     |      |      |      |      | PX1H | PX1 | Priority Level | 0 | 0 | Lowest | 0 | 1 |  | 1 | 0 |  | 1 | 1 | Highest          |
| PX1H       | PX1          | Priority Level  |     |      |      |      |      |      |     |                |   |   |        |   |   |  |   |   |  |   |   |                  |
| 0          | 0            | Lowest  |     |      |      |      |      |      |     |                |   |   |        |   |   |  |   |   |  |   |   |                  |
| 0          | 1            |   |     |      |      |      |      |      |     |                |   |   |        |   |   |  |   |   |  |   |   |                  |
| 1          | 0            |   |     |      |      |      |      |      |     |                |   |   |        |   |   |  |   |   |  |   |   |                  |
| 1          | 1            | Highest   |     |      |      |      |      |      |     |                |   |   |        |   |   |  |   |   |  |   |   |                  |
| 1          | PT0H         | <b>Timer 0 Overflow Interrupt High Priority bit</b><br><table border="1"> <thead> <tr> <th>PT0H</th> <th>PT0</th> <th>Priority Level</th> </tr> </thead> <tbody> <tr> <td>0</td> <td>0</td> <td>Lowest</td> </tr> <tr> <td>0</td> <td>1</td> <td></td> </tr> <tr> <td>1</td> <td>0</td> <td></td> </tr> <tr> <td>1</td> <td>1</td> <td>Highest</td> </tr> </tbody> </table>               |     |      |      |      |      | PT0H | PT0 | Priority Level | 0 | 0 | Lowest | 0 | 1 |  | 1 | 0 |  | 1 | 1 | Highest          |
| PT0H       | PT0          | Priority Level  |     |      |      |      |      |      |     |                |   |   |        |   |   |  |   |   |  |   |   |                  |
| 0          | 0            | Lowest  |     |      |      |      |      |      |     |                |   |   |        |   |   |  |   |   |  |   |   |                  |
| 0          | 1            |   |     |      |      |      |      |      |     |                |   |   |        |   |   |  |   |   |  |   |   |                  |
| 1          | 0            |   |     |      |      |      |      |      |     |                |   |   |        |   |   |  |   |   |  |   |   |                  |
| 1          | 1            | Highest   |     |      |      |      |      |      |     |                |   |   |        |   |   |  |   |   |  |   |   |                  |
| 0          | PX0H         | <b>External Interrupt 0 high priority bit</b><br><table border="1"> <thead> <tr> <th>PX0H</th> <th>PX0</th> <th>Priority Level</th> </tr> </thead> <tbody> <tr> <td>0</td> <td>0</td> <td>Lowest</td> </tr> <tr> <td>0</td> <td>1</td> <td></td> </tr> <tr> <td>1</td> <td>0</td> <td></td> </tr> <tr> <td>1</td> <td>1</td> <td>Highest</td> </tr> </tbody> </table>                     |     |      |      |      |      | PX0H | PX0 | Priority Level | 0 | 0 | Lowest | 0 | 1 |  | 1 | 0 |  | 1 | 1 | Highest          |
| PX0H       | PX0          | Priority Level  |     |      |      |      |      |      |     |                |   |   |        |   |   |  |   |   |  |   |   |                  |
| 0          | 0            | Lowest  |     |      |      |      |      |      |     |                |   |   |        |   |   |  |   |   |  |   |   |                  |
| 0          | 1            |   |     |      |      |      |      |      |     |                |   |   |        |   |   |  |   |   |  |   |   |                  |
| 1          | 0            |   |     |      |      |      |      |      |     |                |   |   |        |   |   |  |   |   |  |   |   |                  |
| 1          | 1            | Highest   |     |      |      |      |      |      |     |                |   |   |        |   |   |  |   |   |  |   |   |                  |

Reset Value = X000 0000b

**Table 75.** IPH1 Register

IPH1 (S:F7h)  
Interrupt High Priority Register 1

|  |          |          |          |          |          |          |              |          |
|--|----------|----------|----------|----------|----------|----------|--------------|----------|
|  | <b>7</b> | <b>6</b> | <b>5</b> | <b>4</b> | <b>3</b> | <b>2</b> | <b>1</b>     | <b>0</b> |
|  | -        | -        | -        | -        | -        | -        | <b>PADCH</b> | -        |

| Bit Number | Bit Mnemonic | Description  |
|------------|--------------|--|
| 7          | -            | <b>Reserved</b><br>The value read from this bit is indeterminate. Do not set this bit.   |
| 6          | -            | <b>Reserved</b><br>The value read from this bit is indeterminate. Do not set this bit.   |
| 5          | -            | <b>Reserved</b><br>The value read from this bit is indeterminate. Do not set this bit.   |
| 4          | -            | <b>Reserved</b><br>The value read from this bit is indeterminate. Do not set this bit.   |
| 3          | -            | <b>Reserved</b><br>The value read from this bit is indeterminate. Do not set this bit.   |
| 2          | -            | <b>Reserved</b><br>The value read from this bit is indeterminate. Do not set this bit.   |
| 1          | PADCH        | <b>ADC Interrupt Priority Level Most Significant bit</b><br><u>PADCH PADCL Priority level</u><br>0      0      Lowest<br>0      1<br>1      0<br>1      1      Highest |
| 0          | -            | <b>Reserved</b><br>The value read from this bit is indeterminate. Do not set this bit.   |

Reset Value = XXXX X000b

## Electrical Characteristics

### Absolute Maximum Ratings\*

|   |                                 |
|---|---------------------------------|
| Ambiant Temperature Under Bias:                       |                                 |
| I = industrial .....                                  | -40°C to 85°C                   |
| Storage Temperature .....                             | -65°C to + 150°C                |
| Voltage on V <sub>CC</sub> from V <sub>SS</sub> ..... | -0.5V to + 6V                   |
| Voltage on Any Pin from V <sub>SS</sub> .....         | -0.5V to V <sub>CC</sub> + 0.2V |
| Power Dissipation .....                               | 1W                              |

\*NOTICE: Stresses at or above those listed under “Absolute Maximum Ratings” may cause permanent damage to the device. This is a stress rating only and functional operation of the device at these or any other conditions above those indicated in the operational sections of this specification is not implied. Exposure to absolute maximum rating conditions may affect device reliability. The power dissipation is based on the maximum allowable die temperature and the thermal resistance of the package.

### DC Parameters for Standard Voltage

T<sub>A</sub> = -40°C to +85°C; V<sub>SS</sub> = 0V; V<sub>CC</sub> = 3V to 5.5V; F = 0 to 40 MHz

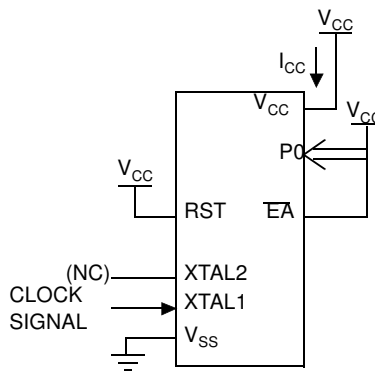
Table 76. DC Parameters in Standard Voltage

| Symbol           | Parameter  | Min   | Typ <sup>(5)</sup> | Max                      | Unit | Test Conditions                                 |
|------------------|--|---|--------------------|--------------------------|------|---|
| V <sub>IL</sub>  | Input Low Voltage  | -0.5  |                    | 0.2V <sub>CC</sub> - 0.1 | V    |   |
| V <sub>IH</sub>  | Input High Voltage except XTAL1, RST                                     | 0.2 V <sub>CC</sub> + 0.9   |                    | V <sub>CC</sub> + 0.5    | V    |   |
| V <sub>IH1</sub> | Input High Voltage, XTAL1, RST   | 0.7 V <sub>CC</sub>   |                    | V <sub>CC</sub> + 0.5    | V    |   |
| V <sub>OL</sub>  | Output Low Voltage, ports 1, 2, 3 and 4 <sup>(6)</sup>                   |   |                    | 0.3                      | V    | I <sub>OL</sub> = 100 μA <sup>(4)</sup>         |
|                  |  |   |                    | 0.45                     | V    | I <sub>OL</sub> = 1.6 mA <sup>(4)</sup>         |
|                  |  |   |                    | 1.0                      | V    | I <sub>OL</sub> = 3.5 mA <sup>(4)</sup>         |
| V <sub>OL1</sub> | Output Low Voltage, port 0, ALE, $\overline{\text{PSEN}}$ <sup>(6)</sup> |   |                    | 0.3                      | V    | I <sub>OL</sub> = 200 μA <sup>(4)</sup>         |
|                  |  |   |                    | 0.45                     | V    | I <sub>OL</sub> = 3.2 mA <sup>(4)</sup>         |
|                  |  |   |                    | 1.0                      | V    | I <sub>OL</sub> = 7.0 mA <sup>(4)</sup>         |
| V <sub>OH</sub>  | Output High Voltage, ports 1, 2, 3, 4 and 5                              | V <sub>CC</sub> - 0.3   |                    |                          | V    | I <sub>OH</sub> = -10 μA                        |
|                  |  | V <sub>CC</sub> - 0.7   |                    |                          | V    | I <sub>OH</sub> = -30 μA                        |
|                  |  | V <sub>CC</sub> - 1.5   |                    |                          | V    | I <sub>OH</sub> = -60 μA                        |
| V <sub>OH1</sub> | Output High Voltage, port 0, ALE, $\overline{\text{PSEN}}$               | V <sub>CC</sub> - 0.3   |                    |                          | V    | I <sub>OH</sub> = -200 μA                       |
|                  |  | V <sub>CC</sub> - 0.7   |                    |                          | V    | I <sub>OH</sub> = -3.2 mA                       |
|                  |  | V <sub>CC</sub> - 1.5   |                    |                          | V    | I <sub>OH</sub> = -7.0 mA                       |
| R <sub>RST</sub> | RST Pulldown Resistor  | 20  | 40                 | 200                      | kΩ   |   |
| I <sub>IL</sub>  | Logical 0 Input Current ports 1, 2, 3 and 4                              |   |                    | -50                      | μA   | V <sub>in</sub> = 0.45V                         |
| I <sub>LI</sub>  | Input Leakage Current  |   |                    | ±10                      | μA   | 0.45V < V <sub>in</sub> < V <sub>CC</sub>       |
| I <sub>TL</sub>  | Logical 1 to 0 Transition Current, ports 1, 2, 3 and 4                   |   |                    | -650                     | μA   | V <sub>in</sub> = 2.0V                          |
| C <sub>IO</sub>  | Capacitance of I/O Buffer  |   |                    | 10                       | pF   | F <sub>c</sub> = 1 MHz<br>T <sub>A</sub> = 25°C |
| I <sub>PD</sub>  | Power-down Current   |   | 160                | 350                      | μA   | 3V < V <sub>CC</sub> < 5.5V <sup>(3)</sup>      |
| I <sub>CC</sub>  | Power Supply Current   | I <sub>CCOP</sub> = 0.7 Freq (MHz) + 3 mA<br>ICC_FLASH_WRITE <sup>(7)</sup> = 0.4 Freq (MHz) + 20 mA<br>I <sub>CCIDLE</sub> = 0.6 Freq (MHz) + 2 mA |                    |                          |      | 3V < V <sub>CC</sub> < 5.5V <sup>(1)(2)</sup>   |



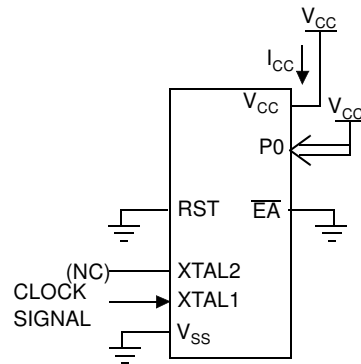
- Notes:
1. Operating  $I_{CC}$  is measured with all output pins disconnected; XTAL1 driven with  $T_{CLCH}$ ;  $T_{CHCL} = 5$  ns (see Figure 53.),  $V_{IL} = V_{SS} + 0.5V$ ,  $V_{IH} = V_{CC} - 0.5V$ ; XTAL2 N.C.;  $\overline{EA} = RST = Port\ 0 = V_{CC}$ .  $I_{CC}$  would be slightly higher if a crystal oscillator used (see Figure 50.).
  2. Idle  $I_{CC}$  is measured with all output pins disconnected; XTAL1 driven with  $T_{CLCH}$ ;  $T_{CHCL} = 5$  ns,  $V_{IL} = V_{SS} + 0.5V$ ,  $V_{IH} = V_{CC} - 0.5V$ ; XTAL2 N.C.; Port 0 =  $V_{CC}$ ;  $\overline{EA} = RST = V_{SS}$  (see Figure 51.).
  3. Power-down  $I_{CC}$  is measured with all output pins disconnected;  $\overline{EA} = V_{CC}$ ; PORT 0 =  $V_{CC}$ ; XTAL2 NC.; RST =  $V_{SS}$  (see Figure 52.). In addition, the WDT must be inactive and the POF flag must be set.
  4. Capacitance loading on Ports 0 and 2 may cause spurious noise pulses to be superimposed on the  $V_{OL}$ s of ALE and Ports 1 and 3. The noise is due to external bus capacitance discharging into the Port 0 and Port 2 pins when these pins make 1 to 0 transitions during bus operation. In the worst cases (capacitive loading 100pF), the noise pulse on the ALE line may exceed 0.45V with maxi  $V_{OL}$  peak 0.6V. A Schmitt Trigger use is not necessary.
  5. Typicals are based on a limited number of samples and are not guaranteed. The values listed are at room temperature.
  6. Under steady state (non-transient) conditions,  $I_{OL}$  must be externally limited as follows:
    - Maximum  $I_{OL}$  per port pin: 10 mA
    - Maximum  $I_{OL}$  per 8-bit port:
      - Port 0: 26 mA
      - Ports 1, 2 and 3: 15 mA
    - Maximum total  $I_{OL}$  for all output pins: 71 mA
 If  $I_{OL}$  exceeds the test condition,  $V_{OL}$  may exceed the related specification. Pins are not guaranteed to sink current greater than the listed test conditions.
  7.  $I_{CC\_FLASH\_WRITE}$  operating current while a Flash block write is on going.

**Figure 50.**  $I_{CC}$  Test Condition, Active Mode



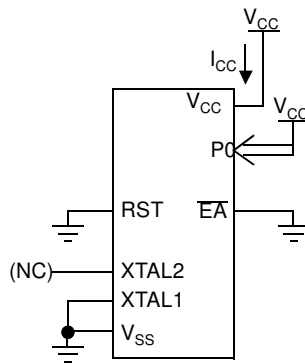
All other pins are disconnected.

**Figure 51.**  $I_{CC}$  Test Condition, Idle Mode



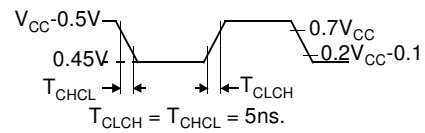
All other pins are disconnected.

**Figure 52.**  $I_{CC}$  Test Condition, Power-Down Mode



All other pins are disconnected.

**Figure 53.** Clock Signal Waveform for  $I_{CC}$  Tests in Active and Idle Modes



## DC Parameters for A/D Converter

**Table 77.** DC Parameters for AD Converter in Precision Conversion

| Symbol                          | Parameter   | Min                   | Typ <sup>(1)</sup> | Max                    | Unit | Test Conditions |
|---------------------------------|---|-----------------------|--------------------|------------------------|------|-----------------|
| AVin                            | Analog input voltage                                    | V <sub>SS</sub> - 0.2 |                    | V <sub>ref</sub> + 0.2 | V    |                 |
| R <sub>ref</sub> <sup>(2)</sup> | Resistance between V <sub>ref</sub> and V <sub>SS</sub> | 12                    | 16                 | 24                     | kΩ   |                 |
| V <sub>ref</sub>                | Reference voltage                                       | 2.40                  |                    | 3.00                   | V    |                 |
| C <sub>ai</sub>                 | Analog input Capacitance                                |                       | 60                 |                        | pF   | During sampling |
| R <sub>ai</sub>                 | Analog input Resistor                                   |                       |                    | 400                    | Ω    | During sampling |
| INL                             | Integral non linearity                                  |                       | 1                  | 2                      | lsb  |                 |
| DNL                             | Differential non linearity                              |                       | 0.5                | 1                      | lsb  |                 |
| OE                              | Offset error  | -2                    |                    | 2                      | lsb  |                 |

Notes: 1. Typical values are based on a limited number of samples and are not guaranteed.  
2. With ADC enabled.

## AC Parameters

### Explanation of the AC Symbols

Each timing symbol has 5 characters. The first character is always a “T” (stands for time). The other characters, depending on their positions, stand for the name of a signal or the logical status of that signal. The following is a list of all the characters and what they stand for.

Example: T<sub>AVLL</sub> = Time for Address Valid to ALE Low.

T<sub>LLPL</sub> = Time for ALE Low to PSEN Low.

T<sub>A</sub> = -40°C to +85°C; V<sub>SS</sub> = 0V; V<sub>CC</sub> = 5V ± 10%; F = 0 to 40 MHz.

T<sub>A</sub> = -40°C to +85°C; V<sub>SS</sub> = 0V; V<sub>CC</sub> = 5V ± 10%.

(Load Capacitance for port 0, ALE and PSEN = 60 pF; Load Capacitance for all other outputs = 60 pF.)

Table 78, Table 81 and Table 84 give the description of each AC symbols.

Table 79, Table 83 and Table 85 give for each range the AC parameter.

Table 80, Table 83 and Table 86 give the frequency derating formula of the AC parameter for each speed range description. To calculate each AC symbols: Take the x value and use this value in the formula.

Example: T<sub>LLIV</sub> and 20 MHz, Standard clock.

x = 30 ns

T = 50 ns

T<sub>CCIV</sub> = 4T - x = 170 ns



**External Program Memory Characteristics**

**Table 78. Symbol Description**

| Symbol            | Parameter  |
|-------------------|--|
| T                 | Oscillator clock period                                |
| T <sub>LHLL</sub> | ALE pulse width  |
| T <sub>AVLL</sub> | Address Valid to ALE                                   |
| T <sub>LLAX</sub> | Address Hold After ALE                                 |
| T <sub>LLIV</sub> | ALE to Valid Instruction In                            |
| T <sub>LLPL</sub> | ALE to $\overline{\text{PSEN}}$                        |
| T <sub>PLPH</sub> | $\overline{\text{PSEN}}$ Pulse Width                   |
| T <sub>PLIV</sub> | $\overline{\text{PSEN}}$ to Valid Instruction In       |
| T <sub>PXIX</sub> | Input Instruction Hold After $\overline{\text{PSEN}}$  |
| T <sub>PXIZ</sub> | Input Instruction Float After $\overline{\text{PSEN}}$ |
| T <sub>AVIV</sub> | Address to Valid Instruction In                        |
| T <sub>PLAZ</sub> | $\overline{\text{PSEN}}$ Low to Address Float          |

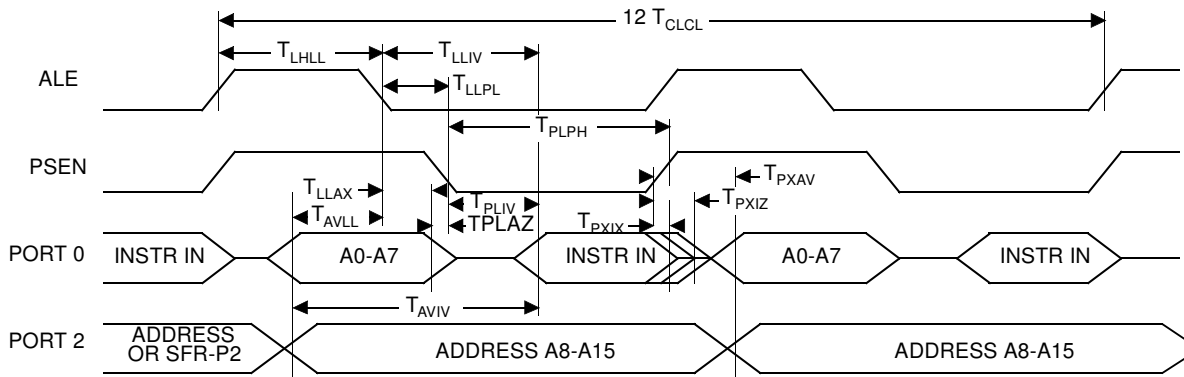
**Table 79. AC Parameters for a Fix Clock (F = 40 MHz)**

| Symbol            | Min | Max | Units |
|-------------------|-----|-----|-------|
| T                 | 25  |     | ns    |
| T <sub>LHLL</sub> | 40  |     | ns    |
| T <sub>AVLL</sub> | 10  |     | ns    |
| T <sub>LLAX</sub> | 10  |     | ns    |
| T <sub>LLIV</sub> |     | 70  | ns    |
| T <sub>LLPL</sub> | 15  |     | ns    |
| T <sub>PLPH</sub> | 55  |     | ns    |
| T <sub>PLIV</sub> |     | 35  | ns    |
| T <sub>PXIX</sub> | 0   |     | ns    |
| T <sub>PXIZ</sub> |     | 18  | ns    |
| T <sub>AVIV</sub> |     | 85  | ns    |
| T <sub>PLAZ</sub> |     | 10  | ns    |

**Table 80. AC Parameters for a Variable Clock**

| Symbol     | Type | Standard Clock | X2 Clock    | X parameter | Units |
|------------|------|----------------|-------------|-------------|-------|
| $T_{LHLL}$ | Min  | $2 T - x$      | $T - x$     | 10          | ns    |
| $T_{AVLL}$ | Min  | $T - x$        | $0.5 T - x$ | 15          | ns    |
| $T_{LLAX}$ | Min  | $T - x$        | $0.5 T - x$ | 15          | ns    |
| $T_{LLIV}$ | Max  | $4 T - x$      | $2 T - x$   | 30          | ns    |
| $T_{LLPL}$ | Min  | $T - x$        | $0.5 T - x$ | 10          | ns    |
| $T_{PLPH}$ | Min  | $3 T - x$      | $1.5 T - x$ | 20          | ns    |
| $T_{PLIV}$ | Max  | $3 T - x$      | $1.5 T - x$ | 40          | ns    |
| $T_{PXIX}$ | Min  | $x$            | $x$         | 0           | ns    |
| $T_{PXIZ}$ | Max  | $T - x$        | $0.5 T - x$ | 7           | ns    |
| $T_{AVIV}$ | Max  | $5 T - x$      | $2.5 T - x$ | 40          | ns    |
| $T_{PLAZ}$ | Max  | $x$            | $x$         | 10          | ns    |

**External Program Memory Read Cycle**



## External Data Memory Characteristics

**Table 81.** Symbol Description

| Symbol     | Parameter   |
|------------|---|
| $T_{RLRH}$ | $\overline{RD}$ Pulse Width                         |
| $T_{WLWH}$ | $\overline{WR}$ Pulse Width                         |
| $T_{RLDV}$ | $\overline{RD}$ to Valid Data In                    |
| $T_{RHDX}$ | Data Hold After $\overline{RD}$                     |
| $T_{RHDZ}$ | Data Float After $\overline{RD}$                    |
| $T_{LLDV}$ | ALE to Valid Data In                                |
| $T_{AVDV}$ | Address to Valid Data In                            |
| $T_{LLWL}$ | ALE to $\overline{WR}$ or $\overline{RD}$           |
| $T_{AVWL}$ | Address to $\overline{WR}$ or $\overline{RD}$       |
| $T_{QVWX}$ | Data Valid to $\overline{WR}$ Transition            |
| $T_{QVWH}$ | Data set-up to $\overline{WR}$ High                 |
| $T_{WHQX}$ | Data Hold After $\overline{WR}$                     |
| $T_{RLAZ}$ | $\overline{RD}$ Low to Address Float                |
| $T_{WHLH}$ | $\overline{RD}$ or $\overline{WR}$ High to ALE high |

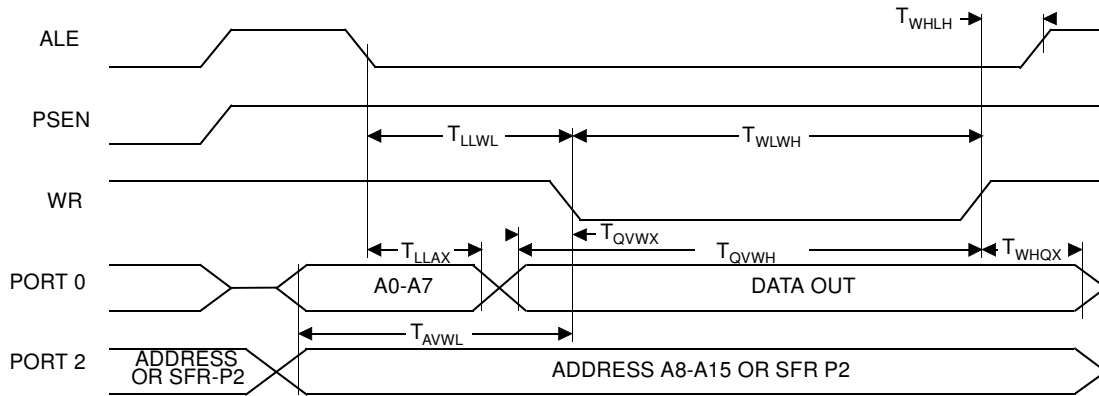
**Table 82.** AC Parameters for a Variable Clock (F = 40 MHz)

| Symbol     | Min | Max | Units |
|------------|-----|-----|-------|
| $T_{RLRH}$ | 130 |     | ns    |
| $T_{WLWH}$ | 130 |     | ns    |
| $T_{RLDV}$ |     | 100 | ns    |
| $T_{RHDX}$ | 0   |     | ns    |
| $T_{RHDZ}$ |     | 30  | ns    |
| $T_{LLDV}$ |     | 160 | ns    |
| $T_{AVDV}$ |     | 165 | ns    |
| $T_{LLWL}$ | 50  | 100 | ns    |
| $T_{AVWL}$ | 75  |     | ns    |
| $T_{QVWX}$ | 10  |     | ns    |
| $T_{QVWH}$ | 160 |     | ns    |
| $T_{WHQX}$ | 15  |     | ns    |
| $T_{RLAZ}$ |     | 0   | ns    |
| $T_{WHLH}$ | 10  | 40  | ns    |

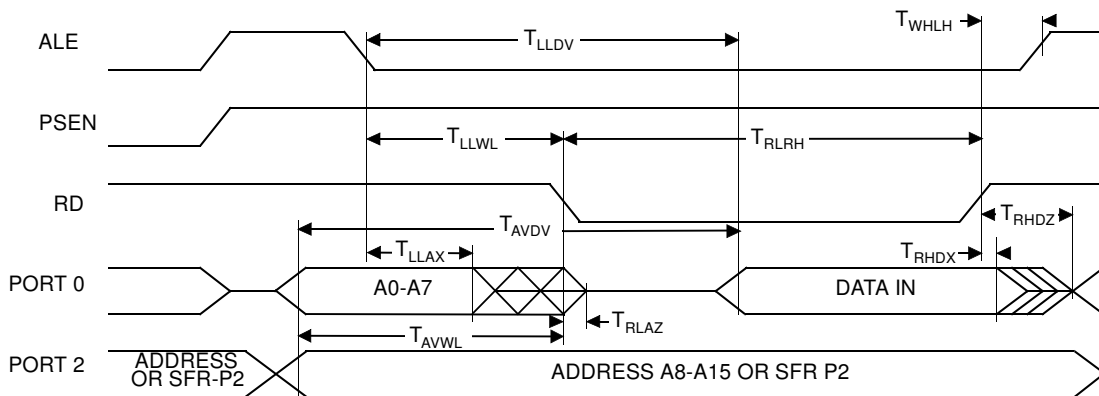
**Table 83.** AC Parameters for a Variable Clock

| Symbol     | Type | Standard Clock | X2 Clock  | X parameter | Units |
|------------|------|----------------|-----------|-------------|-------|
| $T_{RLRH}$ | Min  | 6 T - x        | 3 T - x   | 20          | ns    |
| $T_{WLWH}$ | Min  | 6 T - x        | 3 T - x   | 20          | ns    |
| $T_{RLDV}$ | Max  | 5 T - x        | 2.5 T - x | 25          | ns    |
| $T_{RHDX}$ | Min  | x              | x         | 0           | ns    |
| $T_{RHDZ}$ | Max  | 2 T - x        | T - x     | 20          | ns    |
| $T_{LLDV}$ | Max  | 8 T - x        | 4T - x    | 40          | ns    |
| $T_{AVDV}$ | Max  | 9 T - x        | 4.5 T - x | 60          | ns    |
| $T_{LLWL}$ | Min  | 3 T - x        | 1.5 T - x | 25          | ns    |
| $T_{LLWL}$ | Max  | 3 T + x        | 1.5 T + x | 25          | ns    |
| $T_{AVWL}$ | Min  | 4 T - x        | 2 T - x   | 25          | ns    |
| $T_{QVWX}$ | Min  | T - x          | 0.5 T - x | 15          | ns    |
| $T_{QVWH}$ | Min  | 7 T - x        | 3.5 T - x | 25          | ns    |
| $T_{WHQX}$ | Min  | T - x          | 0.5 T - x | 10          | ns    |
| $T_{RLAZ}$ | Max  | x              | x         | 0           | ns    |
| $T_{WHLH}$ | Min  | T - x          | 0.5 T - x | 15          | ns    |
| $T_{WHLH}$ | Max  | T + x          | 0.5 T + x | 15          | ns    |

**External Data Memory Write Cycle**



**External Data Memory Read Cycle**



**Serial Port Timing – Shift Register Mode**

**Table 84.** Symbol Description (F = 40 MHz)

| Symbol            | Parameter                                |
|-------------------|--|
| T <sub>XLXL</sub> | Serial port clock cycle time             |
| T <sub>QVHX</sub> | Output data set-up to clock rising edge  |
| T <sub>XHQX</sub> | Output data hold after clock rising edge |
| T <sub>XHDX</sub> | Input data hold after clock rising edge  |
| T <sub>XHDV</sub> | Clock rising edge to input data valid    |

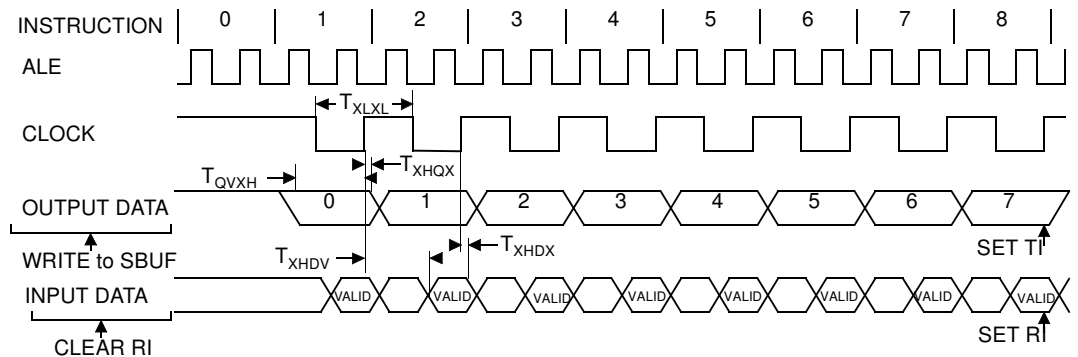
**Table 85.** AC Parameters for a Fix Clock (F = 40 MHz)

| Symbol     | Min | Max | Units |
|------------|-----|-----|-------|
| $T_{XLXL}$ | 300 |     | ns    |
| $T_{QVHX}$ | 200 |     | ns    |
| $T_{XHGX}$ | 30  |     | ns    |
| $T_{XHDX}$ | 0   |     | ns    |
| $T_{XHDV}$ |     | 117 | ns    |

**Table 86.** AC Parameters for a Variable Clock

| Symbol     | Type | Standard Clock | X2 Clock | X parameter for -M range | Units |
|------------|------|----------------|----------|--------------------------|-------|
| $T_{XLXL}$ | Min  | 12 T           | 6 T      |                          | ns    |
| $T_{QVHX}$ | Min  | 10 T - x       | 5 T - x  | 50                       | ns    |
| $T_{XHGX}$ | Min  | 2 T - x        | T - x    | 20                       | ns    |
| $T_{XHDX}$ | Min  | x              | x        | 0                        | ns    |
| $T_{XHDV}$ | Max  | 10 T - x       | 5 T - x  | 133                      | ns    |

**Shift Register Timing Waveforms**

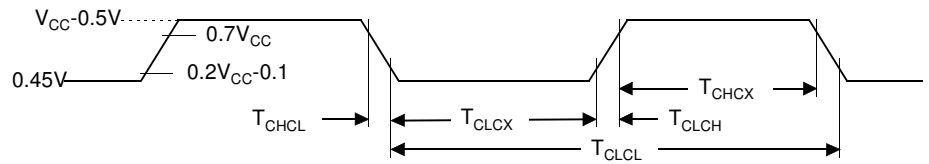


**External Clock Drive Characteristics (XTAL1)**

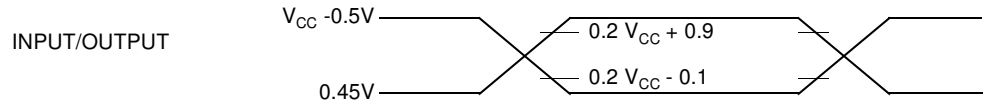
**Table 87.** AC Parameters

| Symbol              | Parameter               | Min | Max | Units |
|---------------------|-------------------------|-----|-----|-------|
| $T_{CLCL}$          | Oscillator Period       | 25  |     | ns    |
| $T_{CHCX}$          | High Time               | 5   |     | ns    |
| $T_{CLCX}$          | Low Time                | 5   |     | ns    |
| $T_{CLCH}$          | Rise Time               |     | 5   | ns    |
| $T_{CHCL}$          | Fall Time               |     | 5   | ns    |
| $T_{CHCX}/T_{CLCX}$ | Cyclic ratio in X2 mode | 40  | 60  | %     |

**External Clock Drive Waveforms**

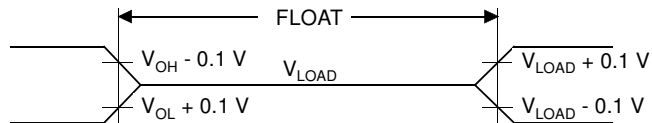


**AC Testing Input/Output Waveforms**



AC inputs during testing are driven at  $V_{CC} - 0.5$  for a logic "1" and  $0.45V$  for a logic "0". Timing measurement are made at  $V_{IH}$  min for a logic "1" and  $V_{IL}$  max for a logic "0".

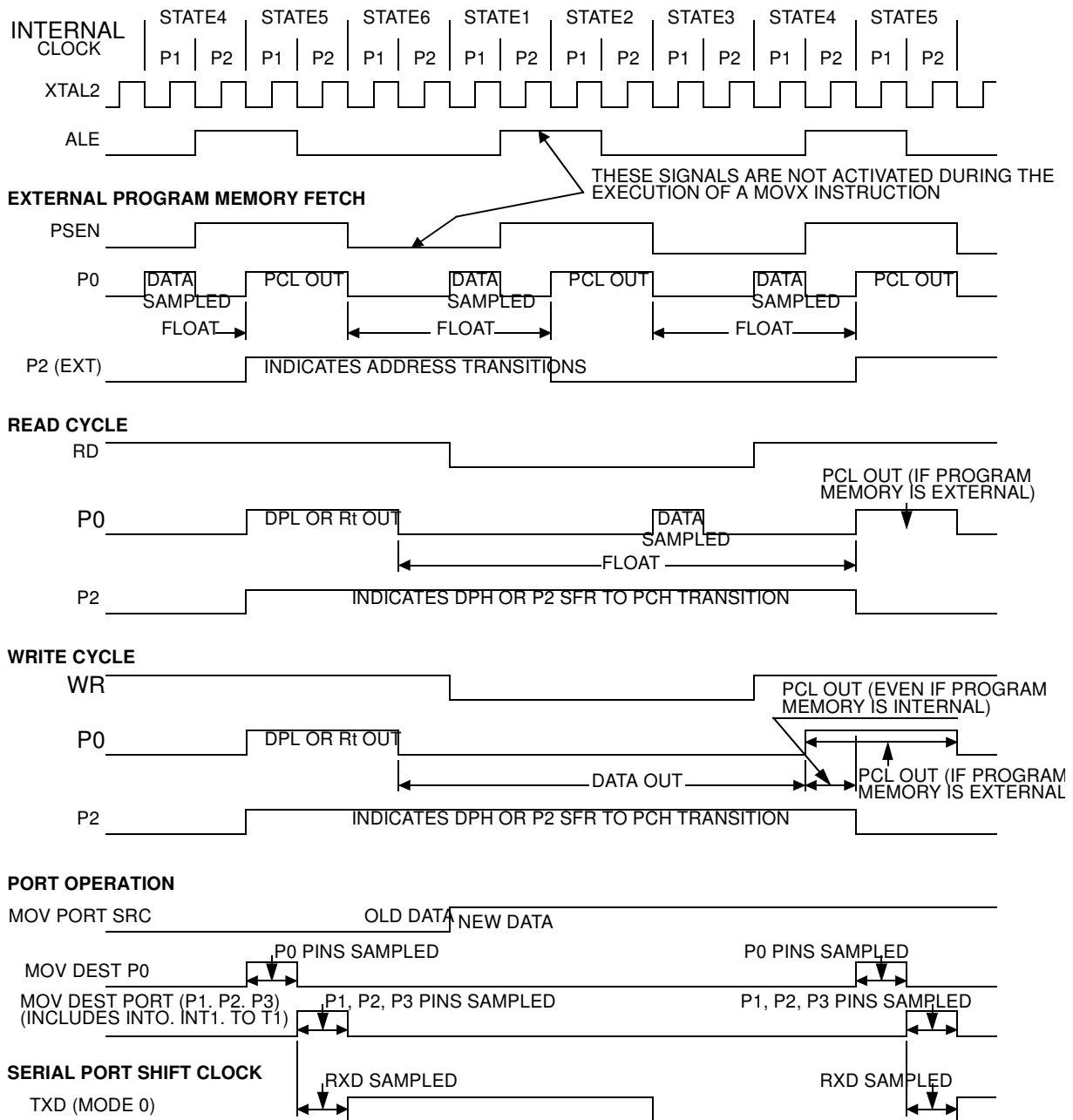
**Float Waveforms**



For timing purposes as port pin is no longer floating when a 100 mV change from load voltage occurs and begins to float when a 100 mV change from the loaded  $V_{OH}/V_{OL}$  level occurs.  $I_{OL}/I_{OH} \geq \pm 20$  mA.

## Clock Waveforms

Valid in normal clock mode. In X2 mode XTAL2 must be changed to XTAL2/2.



This diagram indicates when signals are clocked internally. The time it takes the signals to propagate to the pins, however, ranges from 25 to 125 ns. This propagation delay is dependent on variables such as temperature and pin loading. Propagation also varies from output to output and component. Typically though ( $T_A=25^\circ\text{C}$  fully loaded) RD and WR propagation delays are approximately 50ns. The other signals are typically 85 ns. Propagation delays are incorporated in the AC specifications.



Flash/EEPROM Memory

**Table 88.** Timing Symbol Definitions

| Signals                |            |
|------------------------|------------|
| S (Hardware condition) | PSEN#,EA   |
| R                      | RST        |
| B                      | FBUSY flag |

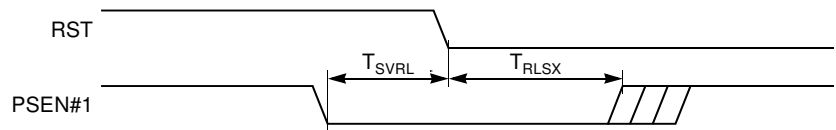
| Conditions |                 |
|------------|-----------------|
| L          | Low             |
| V          | Valid           |
| X          | No Longer Valid |

**Table 89.** Memory AC Timing

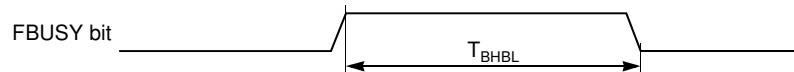
VDD = 5V ± 10%, TA = -40 to +85°C

| Symbol            | Parameter                                    | Min     | Typ | Max | Unit   |
|-------------------|--|---------|-----|-----|--------|
| T <sub>SVRL</sub> | Input PSEN# Valid to RST Edge                | 50      |     |     | ns     |
| T <sub>RLSX</sub> | Input PSEN# Hold after RST Edge              | 50      |     |     | ns     |
| T <sub>BHBL</sub> | Flash/EPROM Internal Busy (Programming) Time |         | 10  |     | ms     |
| N <sub>FCY</sub>  | Number of Flash/EEPROM Erase/Write Cycles    | 100 000 |     |     | cycles |
| T <sub>FDR</sub>  | Flash/EEPROM Data Retention Time             | 10      |     |     | years  |

**Figure 54.** Flash Memory – ISP Waveforms



**Figure 55.** Flash Memory – Internal Busy Waveforms



A/D Converter

**Table 90.** AC Parameters for A/D Conversion

| Symbol             | Parameter           | Min | Typ | Max | Unit |
|--------------------|---------------------|-----|-----|-----|------|
| T <sub>SETUP</sub> |                     | 4   |     |     | µs   |
|                    | ADC Clock Frequency |     | 700 |     | KHz  |



## Ordering Information

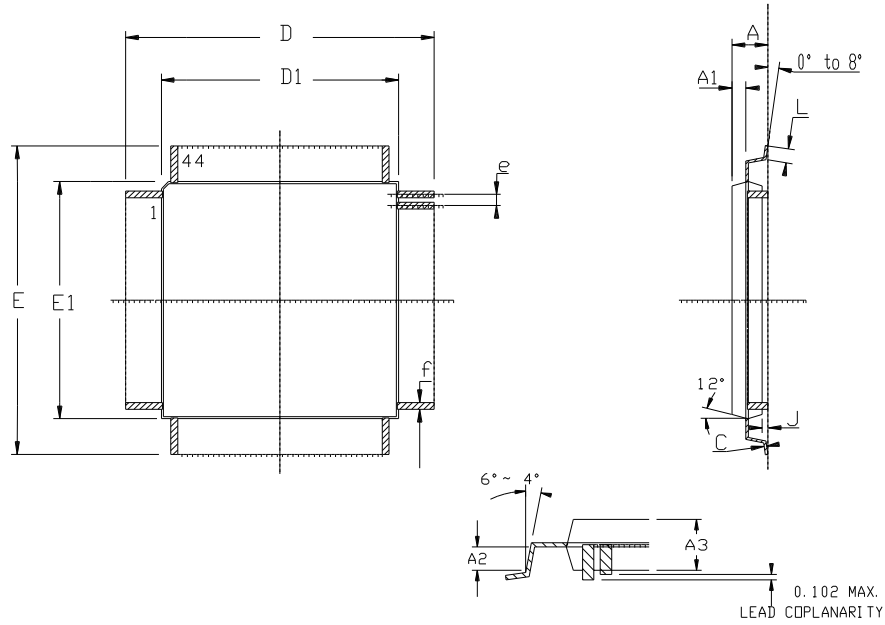
**Table 91.** Possible Order Entries

| Part Number      | Supply Voltage       | Temperature Range  | Max Frequency | Package | Packing |
|------------------|----------------------|--------------------|---------------|---------|---------|
| T89C51AC2-RLTIM  | OBSOLETE             |                    |               |         |         |
| T89C51AC2-SLSIM  |                      |                    |               |         |         |
| AT89C51AC2-RLTUM | 3V to 5.5V $\pm$ 10% | Industrial & Green | 40 MHz        | VQFP44  | Tray    |
| AT89C51AC2-SLSUM |                      |                    |               | PLCC44  | Stick   |



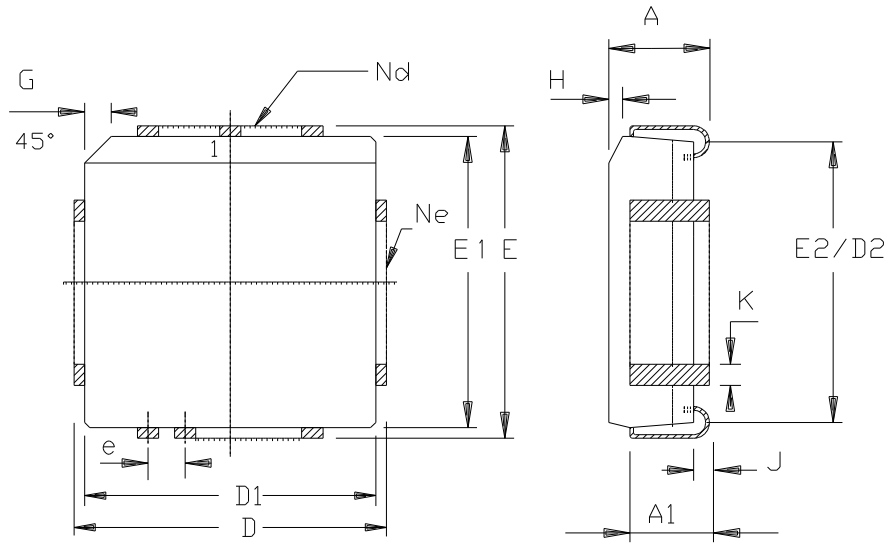
Package Drawings

VQFP44



|    | MM       |       | INCH      |      |
|----|----------|-------|-----------|------|
|    | Min      | Max   | Min       | Max  |
| A  | -        | 1.60  | -         | .063 |
| A1 | 0.64 REF |       | .025 REF  |      |
| A2 | 0.64 REF |       | .025 REF  |      |
| A3 | 1.35     | 1.45  | .053      | .057 |
| D  | 11.90    | 12.10 | .468      | .476 |
| D1 | 9.90     | 10.10 | .390      | .398 |
| E  | 11.90    | 12.10 | .468      | .476 |
| E1 | 9.90     | 10.10 | .390      | .398 |
| J  | 0.05     | -     | .002      | -    |
| L  | 0.45     | 0.75  | .018      | .030 |
| e  | 0.80 BSC |       | .0315 BSC |      |
| f  | 0.35 BSC |       | .014 BSC  |      |

PLCC44



|         | MM    |       | INCH |      |
|---------|-------|-------|------|------|
|         |       |       |      |      |
| A       | 4.20  | 4.57  | .165 | .180 |
| A1      | 2.29  | 3.04  | .090 | .120 |
| D       | 17.40 | 17.65 | .685 | .695 |
| D1      | 16.44 | 16.66 | .647 | .656 |
| D2      | 14.99 | 16.00 | .590 | .630 |
| E       | 17.40 | 17.65 | .685 | .695 |
| E1      | 16.44 | 16.66 | .647 | .656 |
| E2      | 14.99 | 16.00 | .590 | .630 |
| e       | 1.27  | BSC   | .050 | BSC  |
| G       | 1.07  | 1.22  | .042 | .048 |
| H       | 1.07  | 1.42  | .042 | .056 |
| J       | 0.51  | -     | .020 | -    |
| K       | 0.33  | 0.53  | .013 | .021 |
| Nd      | 11    |       | 11   |      |
| Ne      | 11    |       | 11   |      |
| PKG STD | 00    |       |      |      |

**Datasheet Change  
Log for A/T89C51AC2****Changes from 4127D -  
02/03 to 4127E - 01/05**

1. Changed value of IPDMAX to 400, Section "Electrical Characteristics", page 101.
2. PCA , CPS0, register correction, Section "PCA Registers", page 81.
3. Cross Memory section added. Section "Operation Cross Memory Access", page 44.

**Changes from 4127E -  
01/05 to 4127F - 03/05**

1. Changed product part number from "T89C51AC2" to "A/T89C51AC2".
2. Added "Green" product ordering information.
3. Clarification to Mode Switching Waveform diagrams. See page page 16.

**Changes from 4127F -  
03/05 to 4127G - 05/06**

1. Minor corrections throughout the document.

**Changes from 4127G -  
05/06 to 4127H - 02/08**

1. Removal of non-green part numbers from ordering information.

## Table of Contents

|  |           |
|--|-----------|
| <b>Features</b> .....                                  | <b>1</b>  |
| <b>Description</b> .....                               | <b>1</b>  |
| <b>Block Diagram</b> .....                             | <b>2</b>  |
| <b>Pin Configuration</b> .....                         | <b>3</b>  |
| I/O Configurations.....                                | 6         |
| Port 1, Port 3 and Port 4.....                         | 6         |
| Port 0 and Port 2.....                                 | 6         |
| Read-Modify-Write Instructions .....                   | 7         |
| Quasi-Bidirectional Port Operation .....               | 8         |
| <b>SFR Mapping</b> .....                               | <b>10</b> |
| <b>Clock</b> .....                                     | <b>14</b> |
| Description.....                                       | 14        |
| Register .....   | 17        |
| <b>Power Management</b> .....                          | <b>18</b> |
| Reset Pin .....  | 18        |
| At Power-up (Cold Reset).....                          | 18        |
| Reset Recommendation to Prevent Flash Corruption ..... | 19        |
| Idle Mode.....   | 19        |
| Power-down Mode.....                                   | 20        |
| Registers.....   | 22        |
| <b>Data Memory</b> .....                               | <b>23</b> |
| Internal Space.....                                    | 24        |
| External Space .....                                   | 25        |
| Dual Data Pointer .....                                | 27        |
| Registers.....   | 28        |
| <b>EEPROM Data Memory</b> .....                        | <b>30</b> |
| Write Data in the Column Latches.....                  | 30        |
| Programming .....                                      | 30        |
| Read Data.....   | 30        |
| Examples .....   | 31        |
| Registers.....   | 32        |
| <b>Program/Code Memory</b> .....                       | <b>33</b> |
| External Code Memory Access .....                      | 34        |
| Flash Memory Architecture.....                         | 35        |
| Overview of FM0 Operations .....                       | 37        |

Registers..... 43

**Operation Cross Memory Access ..... 44**

**Sharing Instructions..... 45**

**In-System Programming (ISP)..... 47**

    Flash Programming and Erasure..... 47

    Boot Process ..... 48

    Application Programming Interface..... 49

    XROW Bytes..... 49

    Hardware Security Byte ..... 50

**Serial I/O Port..... 51**

    Framing Error Detection ..... 51

    Automatic Address Recognition..... 52

    Given Address ..... 53

    Broadcast Address ..... 53

    Registers..... 54

**Timers/Counters ..... 57**

    Timer/Counter Operations ..... 57

    Timer 0..... 57

    Timer 1..... 60

    Interrupt ..... 60

    Registers..... 62

**Timer 2..... 66**

    Auto-Reload Mode..... 66

    Programmable Clock-Output ..... 67

    Registers..... 68

**Watchdog Timer ..... 71**

    Watchdog Programming..... 72

    Watchdog Timer During Power-down Mode and Idle ..... 73

**Programmable Counter Array (PCA) ..... 75**

    PCA Timer ..... 75

    PCA Modules..... 76

    PCA Interrupt..... 77

    PCA Capture Mode..... 77

    16-bit Software Timer Mode ..... 78

    High Speed Output Mode ..... 79

    Pulse Width Modulator Mode..... 79

    PCA Watchdog Timer ..... 80

    PCA Registers ..... 81



|   |            |
|---|------------|
| <b>Analog-to-Digital Converter (ADC)</b> .....    | <b>86</b>  |
| Features.....                                     | 86         |
| ADC Port 1 I/O Functions .....                    | 86         |
| VAREF .....                                       | 86         |
| ADC Converter Operation.....                      | 88         |
| Voltage Conversion .....                          | 88         |
| Clock Selection .....                             | 88         |
| ADC Standby Mode .....                            | 89         |
| IT ADC Management .....                           | 89         |
| Routines examples .....                           | 89         |
| Registers.....                                    | 91         |
| <b>Interrupt System</b> .....                     | <b>93</b>  |
| Introduction .....                                | 93         |
| Registers.....                                    | 95         |
| <b>Electrical Characteristics</b> .....           | <b>101</b> |
| Absolute Maximum Ratings* .....                   | 101        |
| DC Parameters for Standard Voltage .....          | 101        |
| DC Parameters for A/D Converter .....             | 104        |
| AC Parameters .....                               | 104        |
| <b>Ordering Information</b> .....                 | <b>114</b> |
| <b>Package Drawings</b> .....                     | <b>115</b> |
| VQFP44 .....                                      | 115        |
| PLCC44 .....                                      | 116        |
| <b>Datasheet Change Log for A/T89C51AC2</b> ..... | <b>117</b> |
| Changes from 4127D - 02/03 to 4127E - 01/05.....  | 117        |
| Changes from 4127E - 01/05 to 4127F - 03/05 ..... | 117        |
| Changes from 4127F - 03/05 to 4127G - 05/06.....  | 117        |
| Changes from 4127G - 05/06 to 4127H - 02/08 ..... | 117        |
| <b>Table of Contents</b> .....                    | <b>i</b>   |





## Atmel Corporation

2325 Orchard Parkway  
San Jose, CA 95131, USA  
Tel: 1(408) 441-0311  
Fax: 1(408) 487-2600

## Regional Headquarters

### Europe

Atmel Sarl  
Route des Arsenalux 41  
Case Postale 80  
CH-1705 Fribourg  
Switzerland  
Tel: (41) 26-426-5555  
Fax: (41) 26-426-5500

### Asia

Room 1219  
Chinachem Golden Plaza  
77 Mody Road Tsimshatsui  
East Kowloon  
Hong Kong  
Tel: (852) 2721-9778  
Fax: (852) 2722-1369

### Japan

9F, Tonetsu Shinkawa Bldg.  
1-24-8 Shinkawa  
Chuo-ku, Tokyo 104-0033  
Japan  
Tel: (81) 3-3523-3551  
Fax: (81) 3-3523-7581

## Atmel Operations

### Memory

2325 Orchard Parkway  
San Jose, CA 95131, USA  
Tel: 1(408) 441-0311  
Fax: 1(408) 436-4314

### Microcontrollers

2325 Orchard Parkway  
San Jose, CA 95131, USA  
Tel: 1(408) 441-0311  
Fax: 1(408) 436-4314

La Chantrerie  
BP 70602  
44306 Nantes Cedex 3, France  
Tel: (33) 2-40-18-18-18  
Fax: (33) 2-40-18-19-60

### ASIC/ASSP/Smart Cards

Zone Industrielle  
13106 Rousset Cedex, France  
Tel: (33) 4-42-53-60-00  
Fax: (33) 4-42-53-60-01

1150 East Cheyenne Mtn. Blvd.  
Colorado Springs, CO 80906, USA  
Tel: 1(719) 576-3300  
Fax: 1(719) 540-1759

Scottish Enterprise Technology Park  
Maxwell Building  
East Kilbride G75 0QR, Scotland  
Tel: (44) 1355-803-000  
Fax: (44) 1355-242-743

### RF/Automotive

Theresienstrasse 2  
Postfach 3535  
74025 Heilbronn, Germany  
Tel: (49) 71-31-67-0  
Fax: (49) 71-31-67-2340

1150 East Cheyenne Mtn. Blvd.  
Colorado Springs, CO 80906, USA  
Tel: 1(719) 576-3300  
Fax: 1(719) 540-1759

### Biometrics/Imaging/Hi-Rel MPU/ High Speed Converters/RF Datacom

Avenue de Rochepleine  
BP 123  
38521 Saint-Egreve Cedex, France  
Tel: (33) 4-76-58-30-00  
Fax: (33) 4-76-58-34-80

---

### Literature Requests

[www.atmel.com/literature](http://www.atmel.com/literature)

**Disclaimer:** The information in this document is provided in connection with Atmel products. No license, express or implied, by estoppel or otherwise, to any intellectual property right is granted by this document or in connection with the sale of Atmel products. **EXCEPT AS SET FORTH IN ATMEL'S TERMS AND CONDITIONS OF SALE LOCATED ON ATMEL'S WEB SITE, ATMEL ASSUMES NO LIABILITY WHATSOEVER AND DISCLAIMS ANY EXPRESS, IMPLIED OR STATUTORY WARRANTY RELATING TO ITS PRODUCTS INCLUDING, BUT NOT LIMITED TO, THE IMPLIED WARRANTY OF MERCHANTABILITY, FITNESS FOR A PARTICULAR PURPOSE, OR NON-INFRINGEMENT. IN NO EVENT SHALL ATMEL BE LIABLE FOR ANY DIRECT, INDIRECT, CONSEQUENTIAL, PUNITIVE, SPECIAL OR INCIDENTAL DAMAGES (INCLUDING, WITHOUT LIMITATION, DAMAGES FOR LOSS OF PROFITS, BUSINESS INTERRUPTION, OR LOSS OF INFORMATION) ARISING OUT OF THE USE OR INABILITY TO USE THIS DOCUMENT, EVEN IF ATMEL HAS BEEN ADVISED OF THE POSSIBILITY OF SUCH DAMAGES.** Atmel makes no representations or warranties with respect to the accuracy or completeness of the contents of this document and reserves the right to make changes to specifications and product descriptions at any time without notice. Atmel does not make any commitment to update the information contained herein. Unless specifically provided otherwise, Atmel products are not suitable for, and shall not be used in, automotive applications. Atmel's products are not intended, authorized, or warranted for use as components in applications intended to support or sustain life.

© Atmel Corporation 2008. All rights reserved. Atmel®, logo and combinations thereof, and Everywhere You Are® are the trademarks or registered trademarks, of Atmel Corporation or its subsidiaries. Other terms and product names may be trademarks of others.



Printed on recycled paper.

4127H-8051-02/08

# Mouser Electronics

Authorized Distributor

Click to View Pricing, Inventory, Delivery & Lifecycle Information:

[Microchip:](#)

[AT89C51AC2-RLTUM](#) [AT89C51AC2-SLSUM](#)