

66099-4 ✓ ACTIVE

AMP | AMP Type III+

TE Internal #: 66099-4

TE Internal Description: III+ PIN,1-16,30AU/FL,LP

TYPE III CONTACTS LP

[View on TE.com >](#)



Connectors > Power Connectors > Power Contacts > TYPE III CONTACTS LP



Product Type: **Contact**

Wire Size: **.8 – 1.4 mm²**

Connector & Contact Terminates To: **Wire & Cable**

Contact Current Rating (Max): **13 A**

[All TYPE III CONTACTS LP \(53\)](#)

Features

Product Type Features

Product Type	Contact
Connector & Contact Terminates To	Wire & Cable

Electrical Characteristics

Test Current	13 A
--------------	------

Contact Features

Contact Termination Area Plating Finish	Matte
Contact Shape & Form	Round
Contact Current Rating (Max)	13 A
Contact Type	Pin
Contact Base Material	Brass
Contact Mating Area Plating Material	Precious Metal
Contact Mating Area Plating Thickness	.76 µm[30 µin]
Contact Termination Area Plating Material	Tin
Contact Termination Area Plating Thickness	1.27 µm[50 µin]
Contact Underplating Material	Nickel
Underplate Material Thickness	1.27 µm[50 µin]
Contact Size	16

Termination Features

Termination Type	Crimp
------------------	-------

Mechanical Attachment

Wire Insulation Support	With
-------------------------	------

Dimensions

Wire Size	.8 – 1.4 mm ²
Mating Pin Diameter	1.57 mm[.062 in]
Accepts Wire Insulation Diameter Range	2.03 – 2.54 mm[.08 – .1 in]

Usage Conditions

Operating Temperature Range	-55 – 90 °C[-67 – 194 °F]
-----------------------------	---------------------------

Operation/Application

Circuit Application	Power & Signal
---------------------	----------------

Packaging Features

Packaging Method	Carton, Loose Piece
Packaging Quantity	1000

Other

Wire/Cable Type	Discrete Wire
For Use With	CPC Connectors, G Series Connectors, M Series Connectors

Product Compliance

[For compliance documentation, visit the product page on TE.com>](#)

EU RoHS Directive 2011/65/EU	Compliant
EU ELV Directive 2000/53/EC	Compliant
China RoHS 2 Directive MIIT Order No 32, 2016	No Restricted Materials Above Threshold
EU REACH Regulation (EC) No. 1907/2006	Current ECHA Candidate List: JUL 2019 (201) Candidate List Declared Against: JUL 2019 (201) Does not contain REACH SVHC
EU REACH Regulation (EC) No. 1907/2006	Current ECHA Candidate List: JUL 2019 (201) Candidate List Declared Against: JUL 2019 (201)
Halogen Content	Low Halogen - Br, Cl, F, I < 900 ppm per homogenous material. Also BFR/CFR/PVC Free

Solder Process Capability

Not applicable for solder process capability

Product Compliance Disclaimer

This information is provided based on reasonable inquiry of our suppliers and represents our current actual knowledge based on the information they provided. This information is subject to change. The part numbers that TE has identified as EU RoHS compliant have a maximum concentration of 0.1% by weight in homogenous materials for lead, hexavalent chromium, mercury, PBB, PBDE, DBP, BBP, DEHP, DIBP, and 0.01% for cadmium, or qualify for an exemption to these limits as defined in the Annexes of Directive 2011/65/EU (RoHS2). Finished electrical and electronic equipment products will be CE marked as required by Directive 2011/65/EU. Components may not be CE marked. Additionally, the part numbers that TE has identified as EU ELV compliant have a maximum concentration of 0.1% by weight in homogenous materials for lead, hexavalent chromium, and mercury, and 0.01% for cadmium, or qualify for an exemption to these limits as defined in the Annexes of Directive 2000/53/EC (ELV). Regarding the REACH Regulations, TE's information on SVHC in articles for this part number is still based on the European Chemical Agency (ECHA) 'Guidance on requirements for substances in articles' (Version: 2, April 2011), applying the 0.1% weight on weight concentration threshold at the finished product level. TE is aware of the European Court of Justice ruling of September 10th, 2015 also known as O5A (Once An Article Always An Article) stating that, in case of 'complex object', the threshold for a SVHC must be applied to both the product as a whole and simultaneously to each of the articles forming part of its composition. TE has evaluated this ruling based on the new ECHA "Guidance on requirements for substances in articles" (June 2017, version 4.0) and will be updating its statements accordingly.

Compatible Parts



TE Model / Part # CAT-AM71-C83998C
CMC SERIES 1



TE Model / Part # CAT-AM71-C83998Y
CPC SERIES 1 SEALED ONE-PIECE



TE Model / Part # CAT-AM71-C83998J
CPC SERIES 1



TE Model / Part # CAT-AM71-C83998K
CPC SERIES 6



TE Model / Part # 58495-2
PROCRIMPER DIE ASSY MULTIMATE



TE Model / Part # 91505-1
CERTICRIMP 2,SAHT TYPE III+



TE Model / Part # 58495-1
PRO CRIMPER ASSY MULTIMATE



TE Model / Part # 91523-1
CERTICRIMP 2,SAHT III+



TE Model / Part # 539972-1
EXTRACTION TOOL

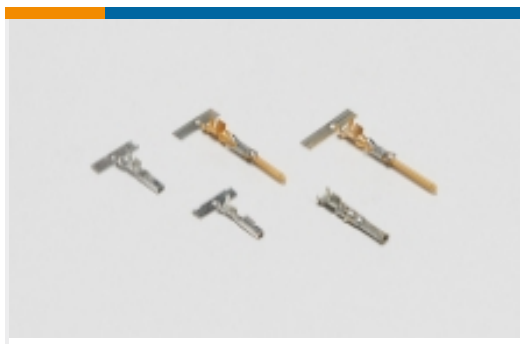


TE Model / Part # 305183
EXTRACT TOOL TYPE 2 20-16



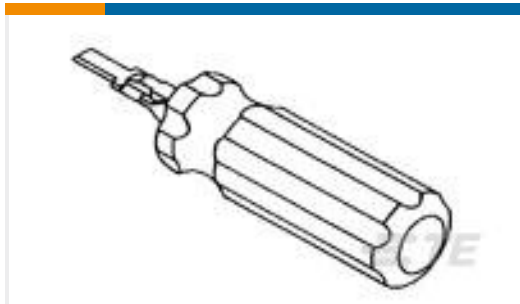
TE Model / Part # 91523-3
CERTICRIMP 2,SAHT TYPE III+

Also in the Series | **AMP Type III+**



Power Contacts(409)

Customers Also Bought



TE Model / Part #305183
EXTRACT TOOL TYPE 2
20-16

Documents

Product Drawings

III+ PIN,1-16,30AU/FL,LP

English

CAD Files

3D PDF

3D

Customer View Model

[ENG_CVM_CVM_66099-4_AE.3d_igs.zip](#)

English

Customer View Model

[ENG_CVM_CVM_66099-4_AE.2d_dxf.zip](#)

English

Customer View Model

[ENG_CVM_CVM_66099-4_AE.3d_stp.zip](#)

English

Datasheets & Catalog Pages

Signal Contacts

English

[AMP Circular Connectors for Commercial Signal & Power Applications](#)

English

[M_SERIES_PIN_AND_SOCKET_CONNECTORS](#)

English



Product Specifications

[Application Specification](#)

English

Product Environmental Compliance

[MD_66099-4_03302018823_dmtec](#)

English

[MD_66099-4_03302018823_dmtec](#)

English

Instruction Sheets

[Instruction Sheet \(U.S.\)](#)

English

[Instruction Sheet \(U.S.\)](#)

Japanese

Agency Approvals

[Agency Approval Document](#)

English