



TAI-SAW TECHNOLOGY CO., LTD.

No. 3, Industrial 2nd Rd., Ping-Chen Industrial District,
Taoyuan, 324, Taiwan, R.O.C.

TEL: 886-3-4690038 FAX: 886-3-4697532

E-mail: tstsales@mail.taisaw.com Web: www.taisaw.com

Product Specifications Approval Sheet

Product Description: SAW Filter 1209.5 MHz SMD 3.0x3.0 mm

TST Part No.: TA1106A

Customer Part No.: _____

Customer signature required
Company: _____
Division: _____
Approved by : _____
Date: _____

Checked by: _____ David Chang 張閱智

Approved by: _____ Francis Chen 陳

Date: _____ 2010/08/23

1. Customer signed back is required before TST can proceed with sample build and receive orders.
2. Orders received without customer signed back will be regarded as agreement on the specifications.
3. Any specifications changes must be approved upon by both parties and a new revision of specifications shall be released to reflect the changes.



TAI-SAW TECHNOLOGY CO., LTD.

No. 3, Industrial 2nd Rd., Ping-Chen Industrial District,
Taoyuan, 324, Taiwan, R.O.C.

TEL: 886-3-4690038 FAX: 886-3-4697532

E-mail: tstsales@mail.taisaw.com Web: www.taisaw.com

SAW Filter 1209.5 MHz

MODEL NO.: TA1106A

REV. NO.:1

A. MAXIMUM RATING:

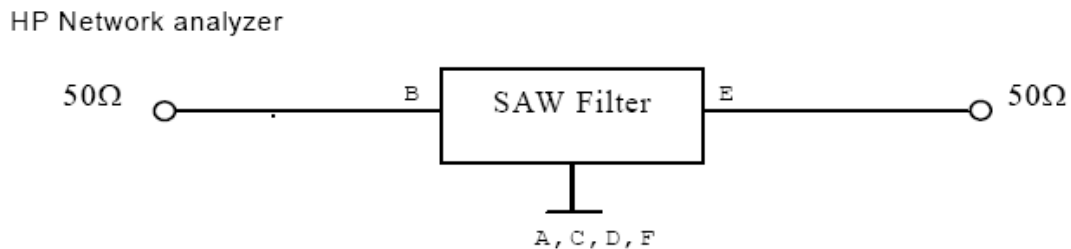
1. Input Power Level: 10 dB_m
2. DC voltage: 3 V
3. Operating Temperature: -40°C to 85°C
4. Storage Temperature: -40°C to +85°C

RoHS Compliant
Lead free
Lead-free soldering

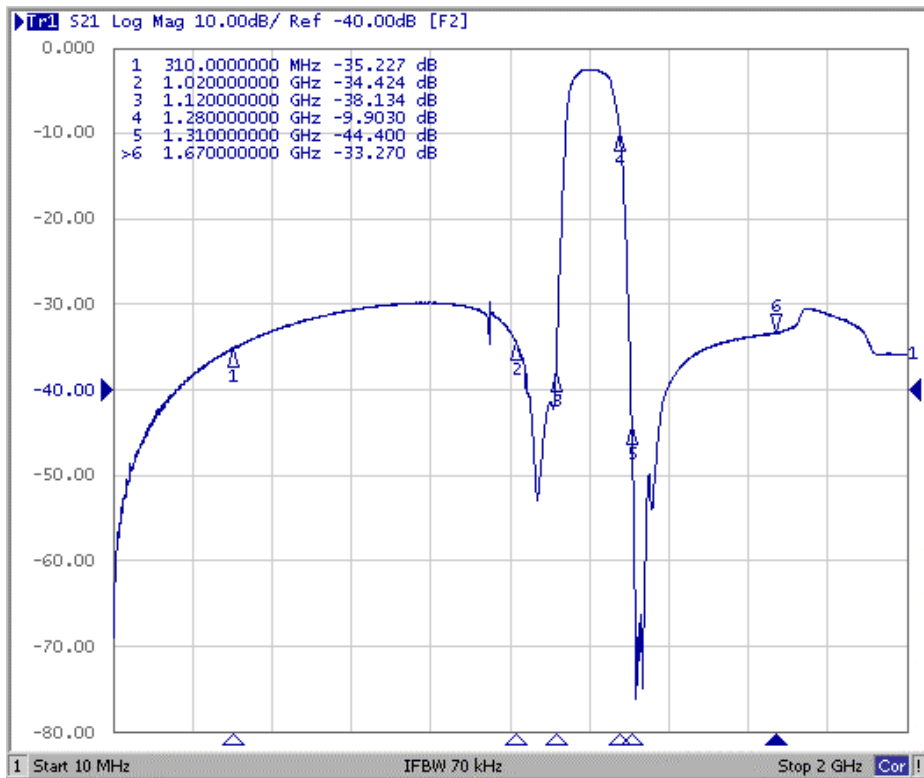
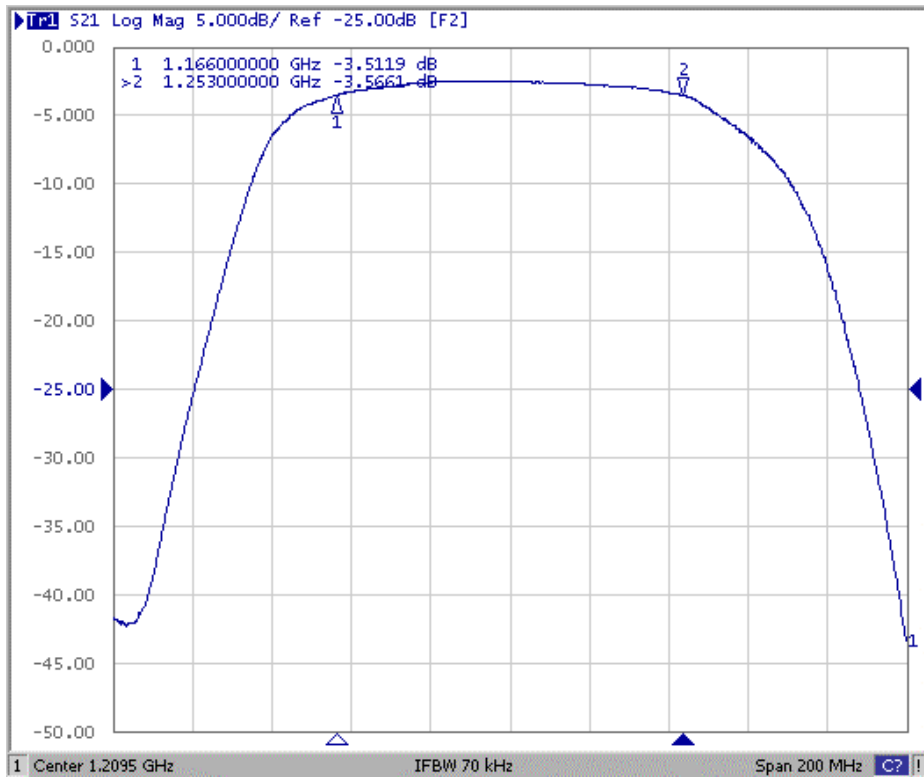
B. CHARACTERISTICS:

Item		Unit	Min.	Typ.	Max.
Center frequency	Fc	MHz	-	1209.5	-
Insertion loss 1166~1253 MHz	IL	dB	-	3.6	4.5
Pass Band Ripple 1166~1253 MHz		dB	-	1.1	2.0
Group Delay Variation 1166~1253 MHz		ns	-	8	15
Return loss 1166~1253 MHz		dB	6	8.5	-
Attenuation (Reference level from 0dB)					
10 ~ 310	MHz	dB	30	35	-
310 ~ 1020	MHz	dB	24	29	-
1020 ~ 1120	MHz	dB	28	34	-
1280 ~ 1310	MHz	dB	4	9	-
1310 ~ 1670	MHz	dB	28	33	-
1670 ~ 2000	MHz	dB	25	30	-
Source impedance	Zs	Ω	-	50	-
Load impedance	ZL	Ω	-	50	-

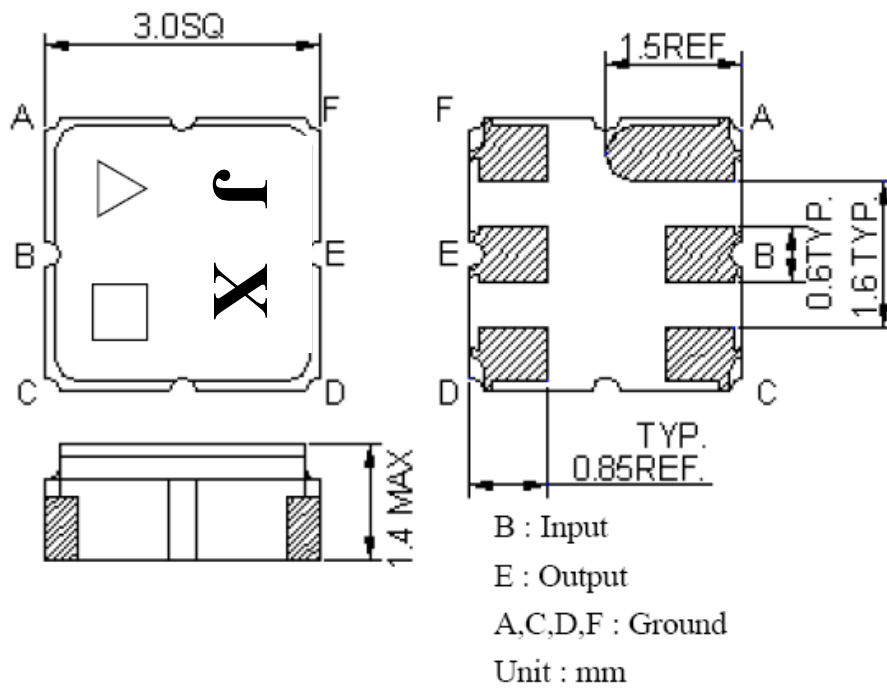
C. MEASUREMENT CIRCUIT:



D. TRANSFER FUNCTION :



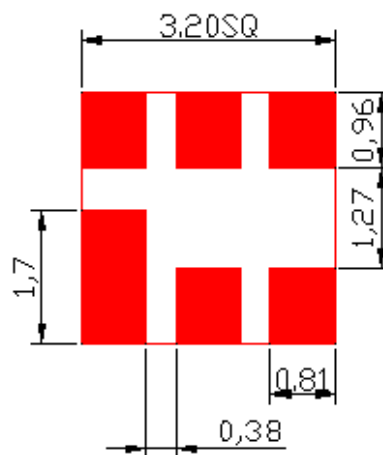
E.OUTLINE DRAWING:



△ : Year Code (2006->6, ..., 2009->9)

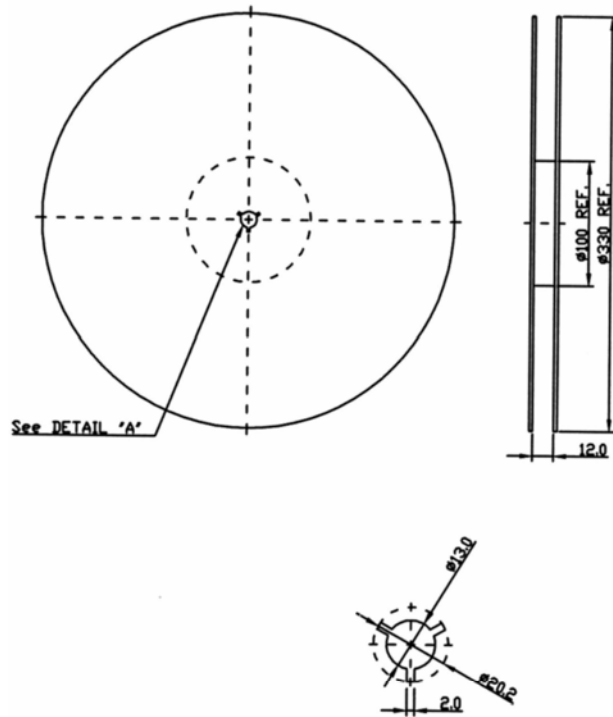
□ : Date Code (W01->A,W02->B,...W27->a,...,W52->z)

F.PCB FOOTPRINT:



G. PACKING:

1. REEL DIMENSION



2. TAPE DIMENSION

