



PACIFIC DISPLAY DEVICES

LCD Component Data Sheet

Model Number: 128128-06

**128 x 128 Dot
COG STN/FSTN Graphic LCD Assembly
With UC1610 Graphic Controller
Supporting 4 level Grayscale / I²C Interface
No internal backlight assembly, must be external**

CONTENTS

1.	GENERAL INFORMATION	
1.1	Product Overview	2
1.2	Part Options and Numbering System	2
1.3	Absolute Maximum Ratings	3
1.4	Circuit Block Diagram	3
1.5	Mechanical Characteristics	3
1.6	Input Signal Function	4
1.7	LCM Power, Contrast Control and Bias	4
1.8	LCD Dimensions	5
1.9	Common and Segment Map	6
1.11	Controller Chip External Interconnection	7
2.	ELECTRICAL / OPTICAL CHARACTERISTICS	
2.1	DC Electrical Characteristics	8
2.2	AC Electrical Characteristics	8
2.3	Optical Characteristics	9
3.	LCD CONTROLLER CHARACTERISTICS	
3.1	LCD Controller Operating Principals and Methods (UC 1610)	10
4.	RELIABILITY	11
5.	PRECAUTIONS FOR USING LCD MODULES	12

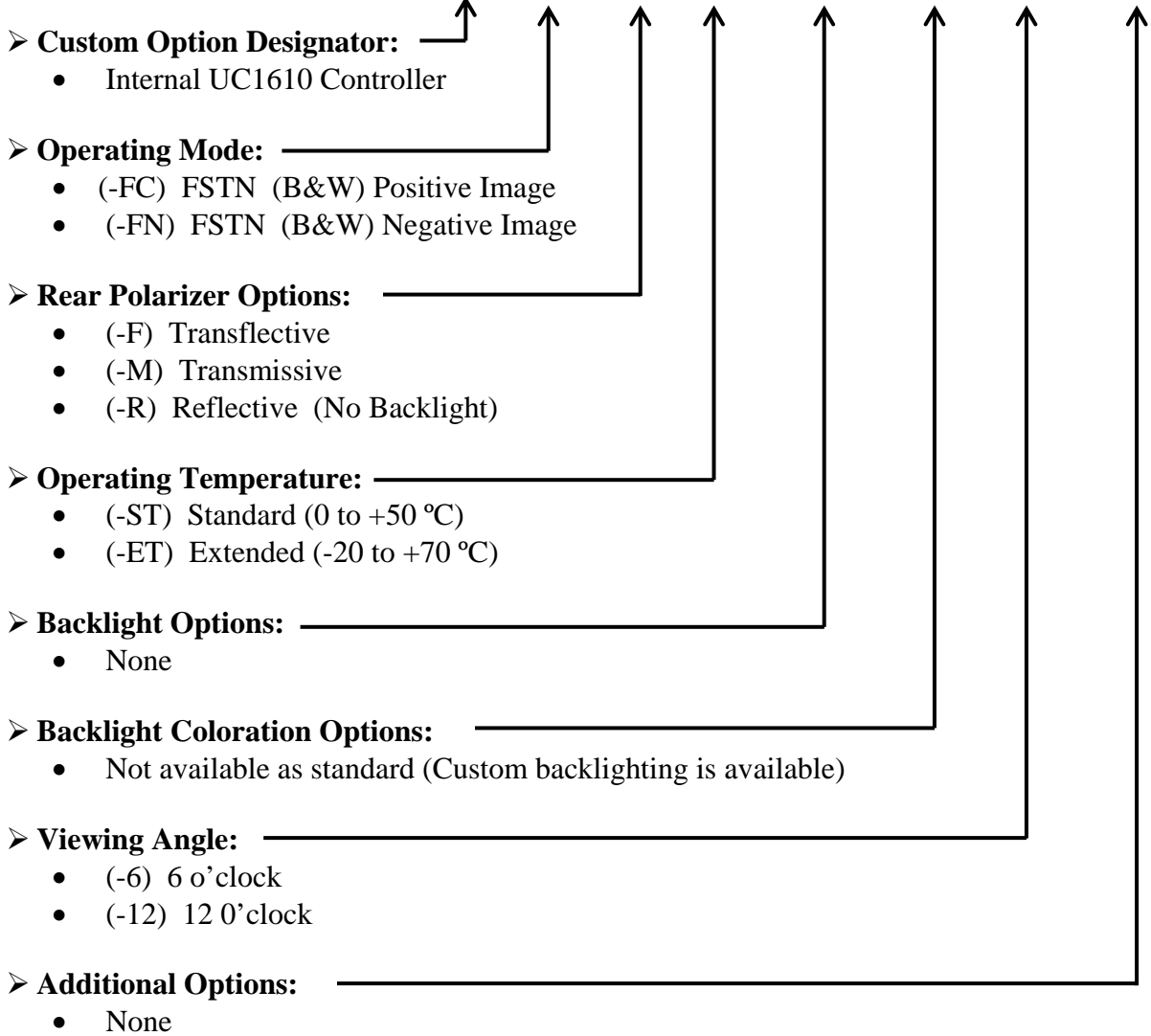
1. GENERAL INFORMATION

1.1 Product Overview

- 128 x 128 dot matrix LCD
- Chip On Glass (COG) Construction Technology
- FSTN (Film compensated Super Twisted Nematic) Technology
- Ultra Chip UC1610 Graphic Controller IC.
- I²C, 4 Wire SPI (S8), or 8/4 bit parallel interface (user selectable)
- 4 Level Grayscale Capability
- Multiplex drive : 1/128 duty, 1/12 bias
- LCD Module Service Life: 100,000 hours minimum

1.2 Part Options and Numbering System

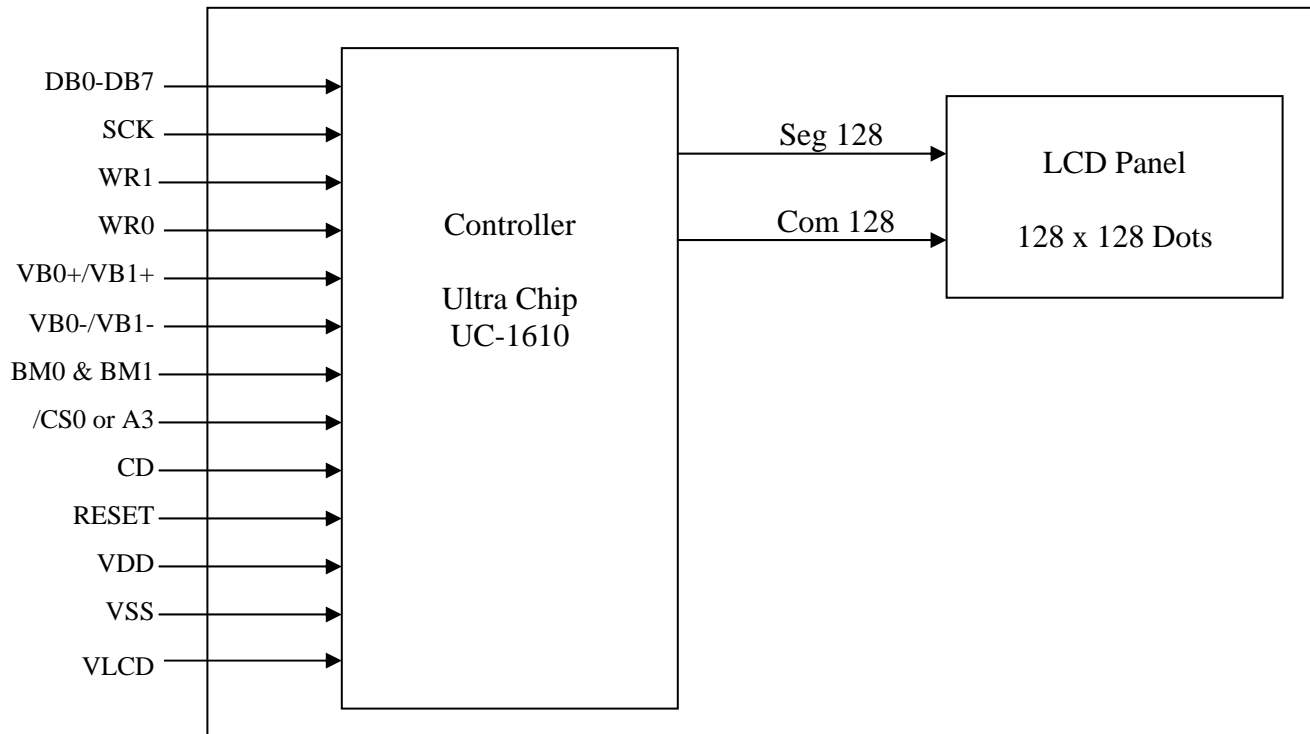
128128	-06	-FC	-R	-ET			-6	
--------	-----	-----	----	-----	--	--	----	--



1.3 Absolute Maximum Ratings

Parameter	Symbol	Min	Max	Unit
Supply voltage for logic	V _{DD}	-0.3	4	V
Supply voltage for LCD	V _{DD} - V ₀	0.3	18	V
Input voltage	V _I	-0.3	V _{DD} +0.3	V
Standard Operating temperature	TOP (-ST)	0	50	°C
Standard Storage temperature	TST (-ST)	-10	60	°C
Extended Operating temperature	TOP (-ET)	-20	70	°C
Extended Storage temperature	TST (-ET)	-30	80	°C
Soldering Temp	T _{solder}	260		°C

1.4 Circuit Block Diagram



1.5 Mechanical Characteristics

Item	Contents	Unit
Module size (W×H×T)	36.30 × 43.20 × 2.1 Max	mm
Viewing area (W×H)	30.50 × 32.00	mm
Active area (W×H)	27.25 × 29.81	mm
Number of dots	128 × 128	dots
Dot size (W×H)	0.199 × 0.219	mm
Dot pitch (W×H)	0.213 × 0.233	mm
Interface Cable (W×L)	13.0 × 25.4	mm

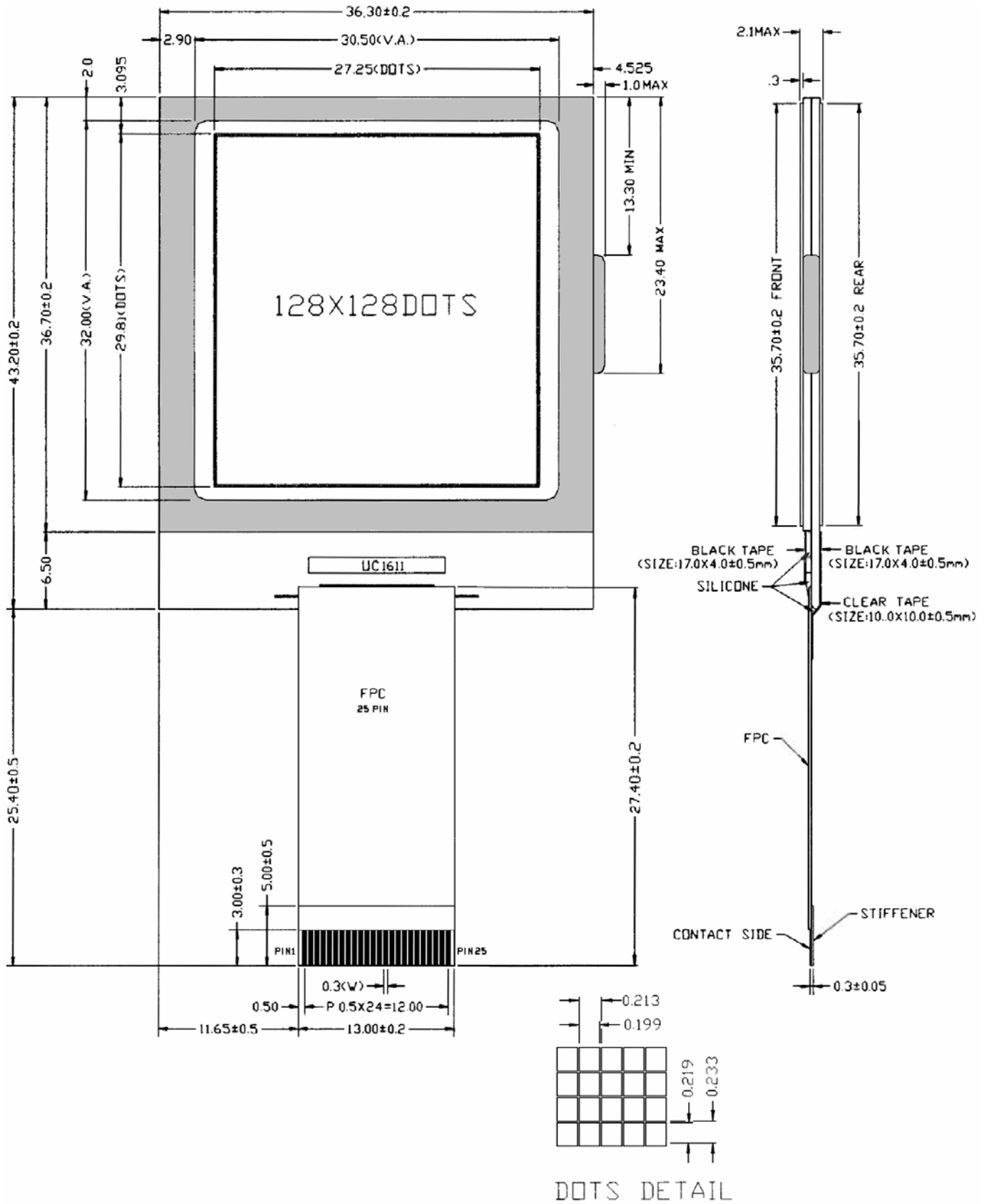
1.6 Input Signal Function

Pin No.	Symbol	Description																																													
1	NC	No Connection																																													
2	VBIAS	Optional external reference / leave open																																													
3	VLCDIN	Main LCD Power Supply / Use external filter cap CL																																													
4	VB0+	LCD Bias Voltage (external capacitor CB0; 2uf @ 16V may be required)																																													
5	VB1+	LCD Bias Voltage (external capacitor CB1; 2uf @ 16V may be required)																																													
6	VB1-	LCD Bias Voltage (external capacitor CB1; 2uf @ 16V may be required)																																													
7	VB0-	LCD Bias Voltage (external capacitor CB0; 2uf @ 16V may be required)																																													
8	VDD	Positive Power Supply																																													
9	VSS	Ground																																													
10	BM1	Bus Mode: The interface bus mode is determined by BM[1:0] and D[7:6] by the following relationships:																																													
		<table border="1"> <thead> <tr> <th>BM[1:0]</th> <th>D[7:6]</th> <th>Mode</th> </tr> </thead> <tbody> <tr> <td>11</td> <td>Data</td> <td>6800/8-bit</td> </tr> <tr> <td>10</td> <td>Data</td> <td>8080/8-bit</td> </tr> <tr> <td>01</td> <td>00</td> <td>6800/4-bit</td> </tr> <tr> <td>00</td> <td>00</td> <td>8080/4-bit</td> </tr> </tbody> </table>	BM[1:0]	D[7:6]	Mode	11	Data	6800/8-bit	10	Data	8080/8-bit	01	00	6800/4-bit	00	00	8080/4-bit																														
BM[1:0]	D[7:6]	Mode																																													
11	Data	6800/8-bit																																													
10	Data	8080/8-bit																																													
01	00	6800/4-bit																																													
00	00	8080/4-bit																																													
11	BM0	01 10 3-wire SPI w/ 9-bit token (S9: conventional)																																													
		01 11 2-wire I ² C																																													
		00 10 4-wire SPI w/ 8-bit token (S8: conventional)																																													
		00 11 3-wire SPI w/ 8-bit token (S8uc: Ultra-Compact)																																													
12	WR1	8080 Mode: "/RD" Read Data Enable Line 6800 Mode: "E" Data Transfer Enable Line																																													
13	WR0	8080 Mode: "/WR" Read Data Enable Line 6800 Mode: "R/W" Data Read / Write Select Line																																													
14	CD	Select Control data or Display data for read/write operation. In S9 and I2C modes, CD pin is not used. Connect CD to VSS when not used. "L": Control data "H": Display data																																													
15	/CS0 or A3	Chip Select: "L" = Select or Chip Address A3 in I2C Modes																																													
16	/RST	Reset Pin. "L" = Reset																																													
17	D7	<table border="1"> <thead> <tr> <th></th> <th>BM=1x (Parallel)</th> <th>BM=0x (Parallel)</th> <th>BM=01 (S9/I²C)</th> <th>BM=00 (S8/S8uc)</th> </tr> </thead> <tbody> <tr> <td>D0</td> <td>D0</td> <td>D0/D4</td> <td>SCK</td> <td>SCK</td> </tr> <tr> <td>D1</td> <td>D1</td> <td>D1/D5</td> <td>-</td> <td>-</td> </tr> <tr> <td>D2</td> <td>D2</td> <td>D2/D6</td> <td>-</td> <td>-</td> </tr> <tr> <td>D3</td> <td>D3</td> <td>D3/D7</td> <td>SDA</td> <td>SDA</td> </tr> <tr> <td>D4</td> <td>D4</td> <td>-</td> <td>-</td> <td>-</td> </tr> <tr> <td>D5</td> <td>D5</td> <td>-</td> <td>-</td> <td>-</td> </tr> <tr> <td>D6</td> <td>D6</td> <td>-</td> <td>S9/I²C</td> <td>S8/S8uc</td> </tr> <tr> <td>D7</td> <td>D7</td> <td>0</td> <td>1</td> <td>1</td> </tr> </tbody> </table>		BM=1x (Parallel)	BM=0x (Parallel)	BM=01 (S9/I ² C)	BM=00 (S8/S8uc)	D0	D0	D0/D4	SCK	SCK	D1	D1	D1/D5	-	-	D2	D2	D2/D6	-	-	D3	D3	D3/D7	SDA	SDA	D4	D4	-	-	-	D5	D5	-	-	-	D6	D6	-	S9/I ² C	S8/S8uc	D7	D7	0	1	1
	BM=1x (Parallel)		BM=0x (Parallel)	BM=01 (S9/I ² C)	BM=00 (S8/S8uc)																																										
D0	D0		D0/D4	SCK	SCK																																										
D1	D1		D1/D5	-	-																																										
D2	D2		D2/D6	-	-																																										
D3	D3		D3/D7	SDA	SDA																																										
D4	D4		-	-	-																																										
D5	D5		-	-	-																																										
D6	D6	-	S9/I ² C	S8/S8uc																																											
D7	D7	0	1	1																																											
18	D6	Connect unused pins to Vss																																													
19	D5		No Connection																																												
20	D4																																														
21	D3																																														
22	D2																																														
23	D1																																														
24	D0																																														
25	NC																																														

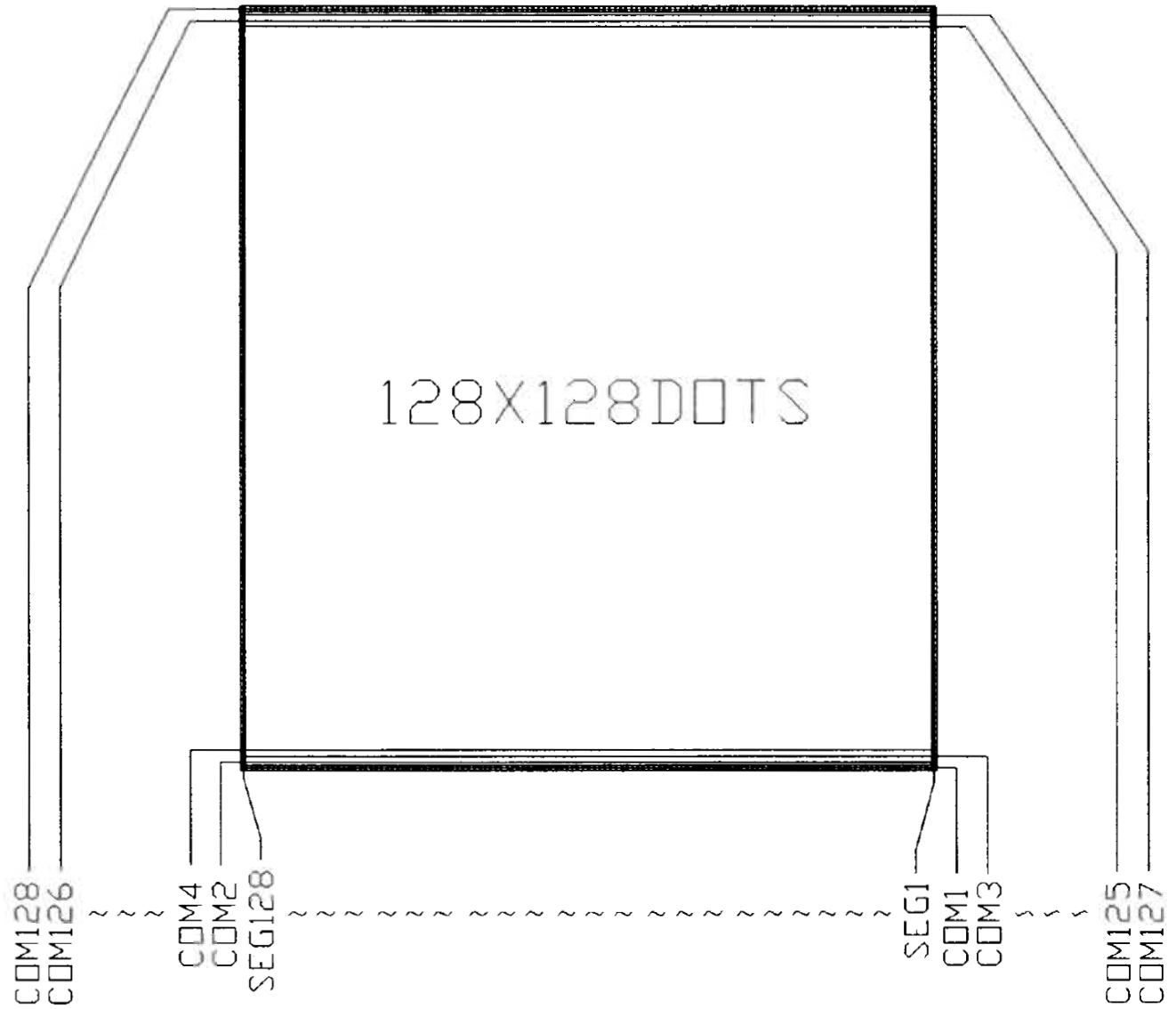
1.7 LCM Power, Contrast Control and Bias

Consult UC 1610 Data Sheet

1.8 LCM Dimensions



1.9 Common and Segment Map



1.11 Controller Chip External Interconnection and Application Circuit

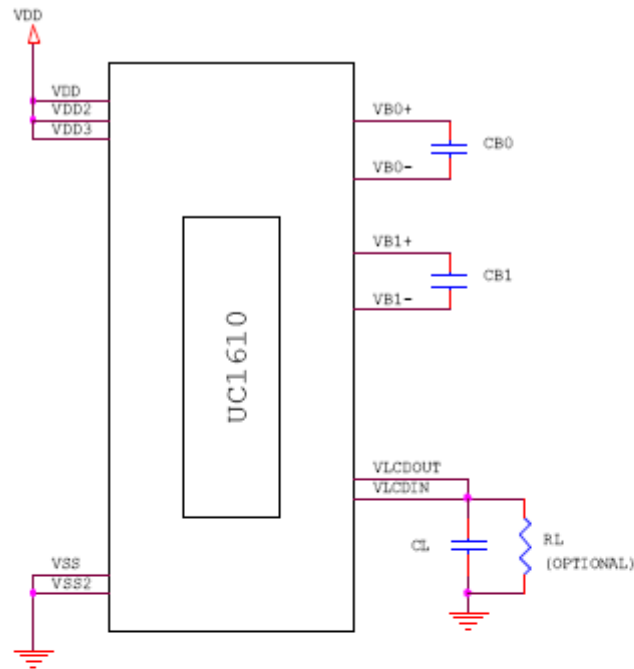


FIGURE 1: Reference circuit using internal Hi-V generator circuit

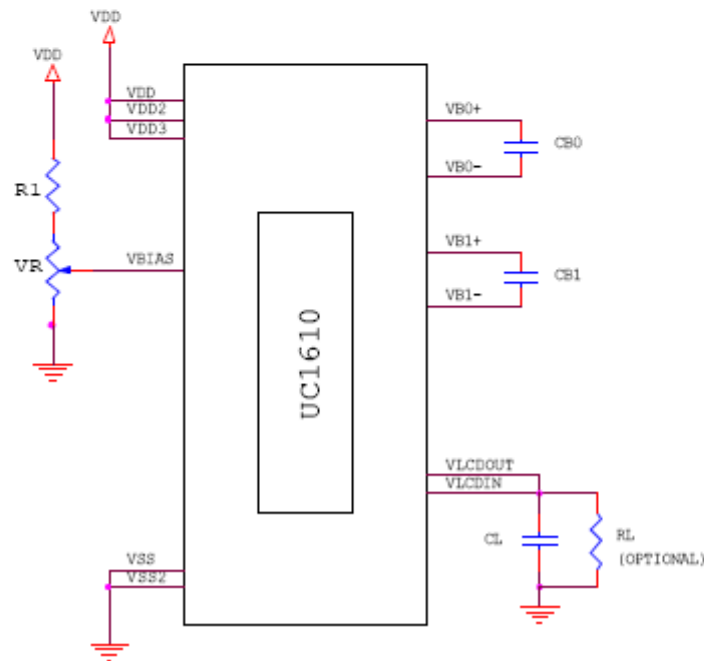


FIGURE 2: Reference circuit using external Bias source

2. ELECTRICAL / OPTICAL CHARACTERISTICS

2.1 DC Electrical Characteristics ($V_{DD} = +3.0V \pm 5\%$, $V_{SS} = 0V$, $T_a = 25^\circ C$)

Parameter	Symbol	Condition	Min	Typ	Max	Unit
Supply voltage for logic	V_{DD}	---	2.4	---	3.3	V
Supply current for logic	I_{DD}	---	---	1	---	mA
Operating voltage for LCD*	V_{LCD}	25°C	9.0	9.6	10.2	V
Input voltage 'H' level	V_{IH}	---	0.7 V_{DD}	---	V_{DD}	V
Input voltage 'L' level	V_{IL}	---	0	---	0.3 V_{DD}	V

*VLCD is internally generated – see UC1610 data sheet

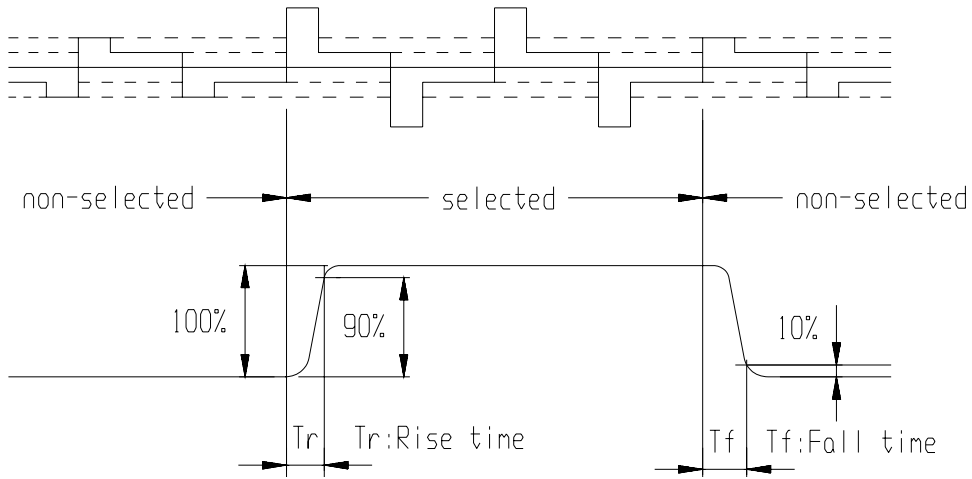
2.2 AC Electrical Characteristics

Consult UC 1610 Data Sheet

2.3 Optical Characteristics ($V_{OP} = 4.7V, T_a = 25^\circ C$)

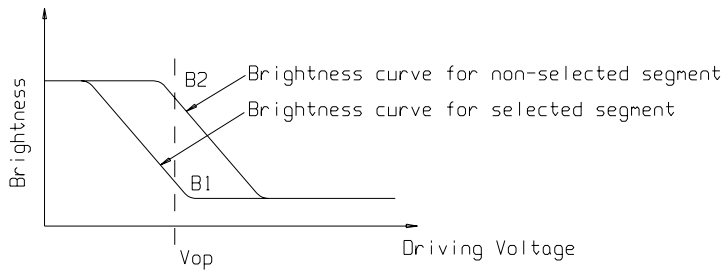
Item	Symbol	Condition	Min	Typ	Max	Unit	Remarks	Note
LCD Operating voltage	V_{LCD}	$25^\circ C$	9.0	9.6	10.2	V	---	---
Response time	T_r	---	---	350	---	ms	---	1
	T_f	---	---	126	---	ms	---	1
Contrast ratio	Cr	---	---	4.88	---	---	---	2
Viewing angle range	θ	$Cr \geq 2$	29	---	---	deg	$\varnothing = 90^\circ$	3
			35	---	---	deg	$\varnothing = 270^\circ$	3
			37	---	---	deg	$\varnothing = 0^\circ$	3
			36	---	---	deg	$\varnothing = 180^\circ$	3

Note1: Definition of response time.

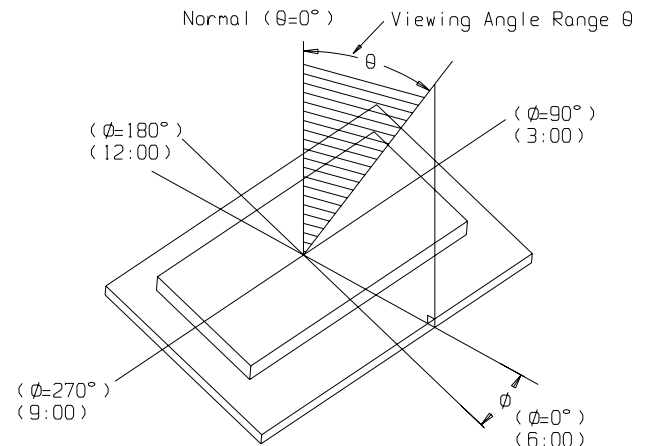


Note2: Definition of contrast ratio 'Cr'

$$Cr = \frac{\text{Brightness of non-selected segment}(B2)}{\text{Brightness of selected segment}(B1)}$$



Note3: Definition of viewing angle range 'θ'.



3. LCD CONTROLLER CHARACTERISTICS

3.1 Operating Principals and Methods (UC 1610)

Consult UC 1610 Data Sheet

4. RELIABILITY

Environmental Test				
No	Test Item	Content of Test	Test Condition	Applicable Standard
1	High temperature storage	Endurance test applying the high storage temperature for a long time.	60 °C 200 hrs	-----
2	Low temperature storage	Endurance test applying the low storage temperature for a long time.	-10 °C 200 hrs	-----
3	High temperature operation	Endurance test applying the electric stress (Voltage & Current) and the thermal stress to the element for a long time.	50 °C 200 hrs	-----
4	Low temperature operation	Endurance test applying the electric stress under low temperature for a long time.	0 °C 200 hrs	-----
5	High temperature / Humidity storage	Endurance test applying the high temperature and high humidity storage for a long time.	60 °C , 90 %RH 96 hrs	MIL-202E-103B JIS-C5023
6	High temperature / Humidity operation	Endurance test applying the electric stress (Voltage & Current) and temperature / humidity stress to the element for a long time.	40 °C , 90 %RH 96 hrs	MIL-202E-103B JIS-C5023
7	Temperature cycle	Endurance test applying the low and high temperature cycle. $\begin{matrix} -20^{\circ}\text{C} & \rightleftharpoons & 25^{\circ}\text{C} & \rightleftharpoons & 70^{\circ}\text{C} \\ 30\text{min} & & 5\text{min.} & & 30\text{min} \\ \longleftarrow & & & & \longrightarrow \\ & & & & \text{1 cycle} \end{matrix}$	-10°C / 60°C 10 cycles -----	
Mechanical Test				
8	Vibration test	Endurance test applying the vibration during transportation and using.	10~22Hz → 1.5mmp-p 22~500Hz → 1.5G Total 0.5hrs	MIL-202E-201A JIS-C5025 JIS-C7022-A-10
9	Shock test	Constructional and mechanical endurance test applying the shock during transportation.	50G Half sign wave 11 msdc 3 times of each direction	MIL-202E-213B
10	Atmospheric pressure test	Endurance test applying the atmospheric pressure during transportation by air.	115 mbar 40 hrs	MIL-202E-105C
Others				
11	Static electricity test	Endurance test applying the electric stress to the terminal.	VS=800V , RS=1.5 kΩ CS=100 pF 1 time	MIL-883B- 3015.1

*** Supply voltage for logic system = VDD. Supply voltage for LCD system = Operating voltage at 25°C

■ LCD Panel Service Life**Definition of panel service life**

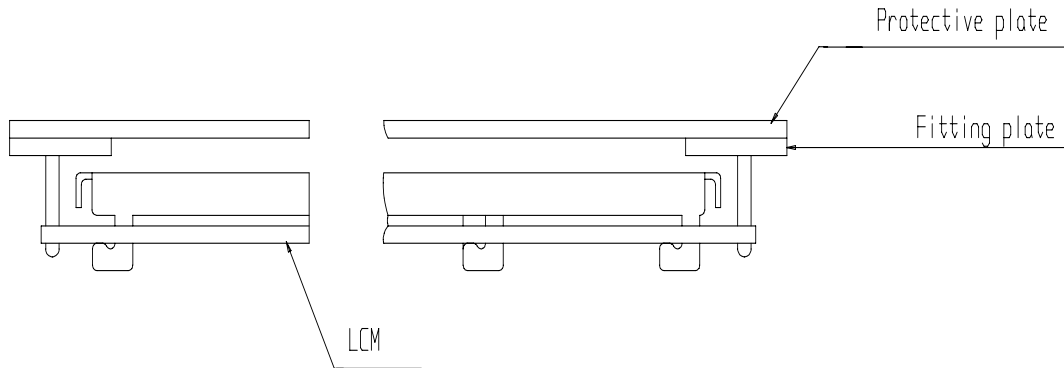
- 100,000 hours minimum at 25° C ±10%
- Contrast becomes 30% of initial value
- Current consumption becomes three times higher than initial value
- Remarkable alignment deterioration occurs in LCD cell layer
- Unusual operation occurs in display functions

5. PRECAUTIONS FOR USING LCD MODULES

Installing LCD Modules

The hole in the printed circuit board is used to fix LCM as shown in the picture below. Attend to the following items when installing the LCM.

- 1) Cover the surface with a transparent protective plate to protect the polarizer and LC cell.



- 2) When assembling the LCM into other equipment, the spacer to the bit between the LCM and the fitting plate should have enough height to avoid causing stress to the module surface, refer to the individual specifications for measurements. The measurement tolerance should be ± 0.1 mm.

Precaution for Handling LCD Modules

Since LCM has been assembled and adjusted with a high degree of precision, avoid applying excessive shocks to the module or making any alterations or modifications to it.

- 1) Cover the surface with a transparent protective plate to protect the polarizer and LC cell.
- 2) Do not alter, modify or change the shape of the tab on the metal frame.
- 3) Do not make extra holes on the printed circuit board, modify its shape or change the positions of components to be attached.
- 4) Do not damage or modify the pattern writing on the printed circuit board.
- 5) Absolutely do not modify the zebra rubber strip (conductive rubber) or heat seal connector.
- 6) Except for soldering the interface, do not make any alterations or modifications with a soldering iron.
- 7) Do not drop, bend or twist LCM.

Electro-Static Discharge Control

Since this module uses a CMOS LSI, the same careful attention should be paid to electrostatic discharge as for an ordinary CMOS IC.

- 1) Make certain that you are grounded when handling LCM.
- 2) Before remove LCM from its packing case or incorporating it into a set, be sure the module and your body have the same electric potential.
- 3) When soldering the terminal of LCM, make certain the AC power source for the soldering iron does not leak.
- 4) When using an electric screwdriver to attach LCM, the screwdriver should be of ground potentiality to minimize as much as possible any transmission of electromagnetic waves produced sparks coming from the commutator of the motor.
- 5) As far as possible make the electric potential of your work clothes and that of the work bench the ground potential.
- 6) To reduce the generation of static electricity be careful that the air in the work is not too dried. A relative humidity of 50%-60% is recommended.

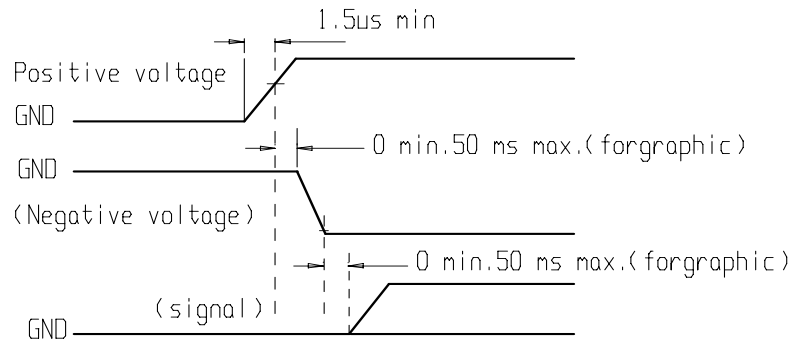
Precaution for soldering to the LCM

- 1) Observe the following when soldering lead wire, connector cable and etc. to the LCM.
 - a) Soldering iron temperature : $280^{\circ}\text{C} \pm 10^{\circ}\text{C}$.
 - b) Soldering time : 3-4 sec.
- 2) Solder : eutectic solder.

- 3) If soldering flux is used, be sure to remove any remaining flux after finishing to soldering operation. (This does not apply in the case of a non-halogen type of flux.) It is recommended that you protect the LCD surface with a cover during soldering to prevent any damage due to flux spatters.
- 4) When soldering the electroluminescent panel and PC board, the panel and board should not be detached more than three times. This maximum number is determined by the temperature and time conditions mentioned above, though there may be some variance depending on the temperature of the soldering iron.
- 5) When remove the electroluminescent panel from the PC board, be sure the solder has completely melted, the soldered pad on the PC board could be damaged.

Precautions for Operation

- 1) Viewing angle varies with the change of liquid crystal driving voltage (VO). Adjust VO to show the best contrast.
- 2) Driving the LCD in the voltage above the limit shortens its life.
- 3) Response time is greatly delayed at temperature below the operating temperature range. However, this does not mean the LCD will be out of the order. It will recover when it returns to the specified temperature range.
- 4) If the display area is pushed hard during operation, the display will become abnormal. However, it will return to normal if it is turned off and then back on.
- 5) Condensation on terminals can cause an electrochemical reaction disrupting the terminal circuit. Therefore, it must be used under the relative condition of 40°C , 50% RH.
- 6) When turning the power on, input each signal after the positive/negative voltage becomes stable.



Safety

- If the LCD panel breaks, be careful not to get the liquid crystal in your mouth. If the liquid crystal touches your skin or clothes, wash it off immediately using soap and plenty of water.

Handling

- The display panel is made of glass. Do not subject it to a mechanical shock by dropping it or impact.
- If the display panel is damaged and the liquid crystal substance leaks out, be sure not to get any in your mouth. If the substance contacts your skin or clothes, wash it off using soap and water.
- Do not apply excessive force to the display surface or the adjoining areas since this may cause the color tone to vary.
- The polarizer covering the display surface of the LCD module is soft and easily scratched. Handle this polarizer carefully.
- If the display surface becomes contaminated, breathe on the surface and gently wipe it with a soft dry cloth. If it is heavily contaminated, moisten cloth with one of the following solvents :
 - Isopropyl alcohol
 - Ethyl alcohol
- Solvents other than those above-mentioned may damage the polarizer. Especially, do not use the following.
 - Water
 - Ketone
 - Aromatic solvents
- Exercise care to minimize corrosion of the electrode. Corrosion of the electrodes is accelerated by water droplets, moisture condensation or a current flow in a high-humidity environment.
- Install the LCD Module by using the mounting holes. When mounting the LCD module make sure it is free of twisting, warping and distortion. In particular, do not forcibly pull or bend the I/O cable or the backlight cable.
- Do not attempt to disassemble or process the LCD module.
- NC terminal should be open. Do not connect anything.
- If the logic circuit power is off, do not apply the input signals.

- To prevent destruction of the elements by static electricity, be careful to maintain an optimum work environment.
 - Be sure to ground the body when handling the LCD modules.
 - Tools required for assembling, such as soldering irons, must be properly grounded.
 - To reduce the amount of static electricity generated, do not conduct assembling and other work under dry conditions.
 - The LCD module is coated with a film to protect the display surface. Exercise care when peeling off this protective film since static electricity may be generated.

Storage

- When storing the LCD modules, avoid exposure to direct sunlight or to the light of fluorescent lamps
- Store the module in a dark place where the temperature is $25^{\circ}\text{C} \pm 10^{\circ}\text{C}$ and the humidity below 65% RH.
- Do not store the module near organic solvents or corrosive gases.
- Do not crush, shake, or jolt the module (including accessories).

Cleaning

- Do not wipe the polarizing plate with a dry cloth, as it may scratch the surface.
- Wipe the module gently with soft cloth soaked with a petroleum benzene.
- Do not use ketonic solvents (ketone and acetone) or aromatic solvents (toluene and xylene), as they may damage the polarizing plate.

Others:

- Liquid crystals solidify under low temperature (below the storage temperature range) leading to defective orientation or the generation of air bubbles (black or white). Air bubbles may also be generated if the module is subject to a low temperature.
- If the LCD modules have been operating for a long time showing the same display patterns, the display patterns may remain on the screen as ghost images and a slight contrast irregularity may also appear. A normal operating status can be regained by suspending use for some time. It should be noted that this phenomenon does not adversely affect performance reliability.
- To minimize the performance degradation of the LCD modules resulting from destruction caused by static electricity etc., exercise care to avoid holding the following sections when handling the modules.
 - Exposed area of the printed circuit board.
 - Terminal electrode sections.