

DS-213-R push button with red color



Product description

Model number and parameters

Model number	Head shape	Action method	Contact form	Contact rating	Color code
DS-211	Round	Self-lock	ON-OFF	1A@250VAC	R, G, Y, A, W, B
DS-213	Round	Reset	(ON)-OFF	1A@250VAC	R, G, Y, A, W, B
DS-314	Round	Reset	(ON)-OFF	0.5A@125VAC	R, G, Y, A, W, B
DS-315	Round	Reset	ON-(OFF)	0.5A@125VAC	R, G
DS-316	Round	Reset	(ON)-OFF	0.5A@125VAC	R, G, Y, A, W, B
DS-450	Round	Self-lock	ON-OFF	1A@250VAC	R, G
DS-451	Round	Reset	(ON)-OFF	1A@250VAC	R, G
DS-461	Round	Reset	(ON)-OFF	2A@125VAC	R, G

DS-213 push button model number legend

DS-213	-R
└ Parent Model Number	└ Color
	└ -R: Red
	└ -G: Green
	└ -Y: Yellow
	└ -A: Blue
	└ -W: White
	└ -B: Black

General

Model number	10mm DS series
Mounting dimensions	φ10
Contact resistance	50mΩ max
Insulation resistance	100MΩ min
Dielectric strength	1500Vac, 50Hz for 1min
Mechanical Life	2x10 ⁵ cycles
Electrical life	5x10 ⁴ cycles
IP degree	IP40
Terminals	2 pin
Operation temperature	-25 to 55°C
Operation humidity	45 to 85% RH, no-condensation
Alias name	10mm DS series push button switch, pushbutton

DS-213 push button child models

No	Model Number	Color	MOQ	Unit Price	Related Product
1	DS-213-R	Red	10	US \$0.14	Visiting...
2	DS-213-G	Green	10	US \$0.14	Order
3	DS-213-Y	Yellow	10	US \$0.14	Order
4	DS-213-A	Blue	10	US \$0.14	Order
5	DS-213-W	White	10	US \$0.14	Order Unfold

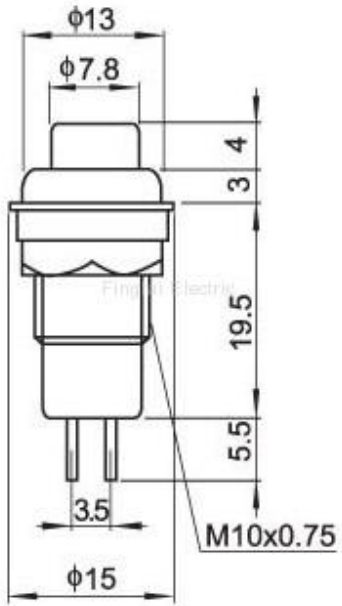
Packaging Details

Package weight: 0.05kg

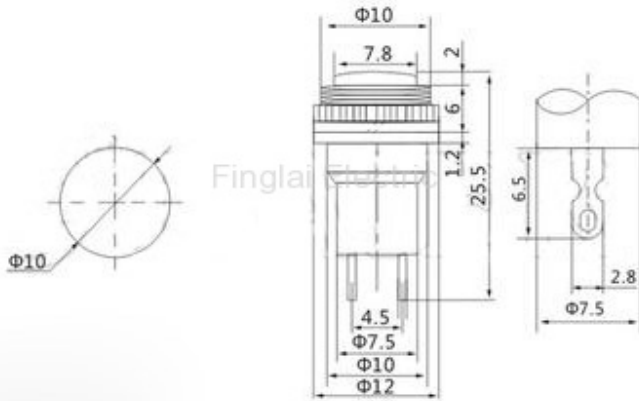
Package size: 10 x 10 x 2 cm

Product quantity: 10pcs

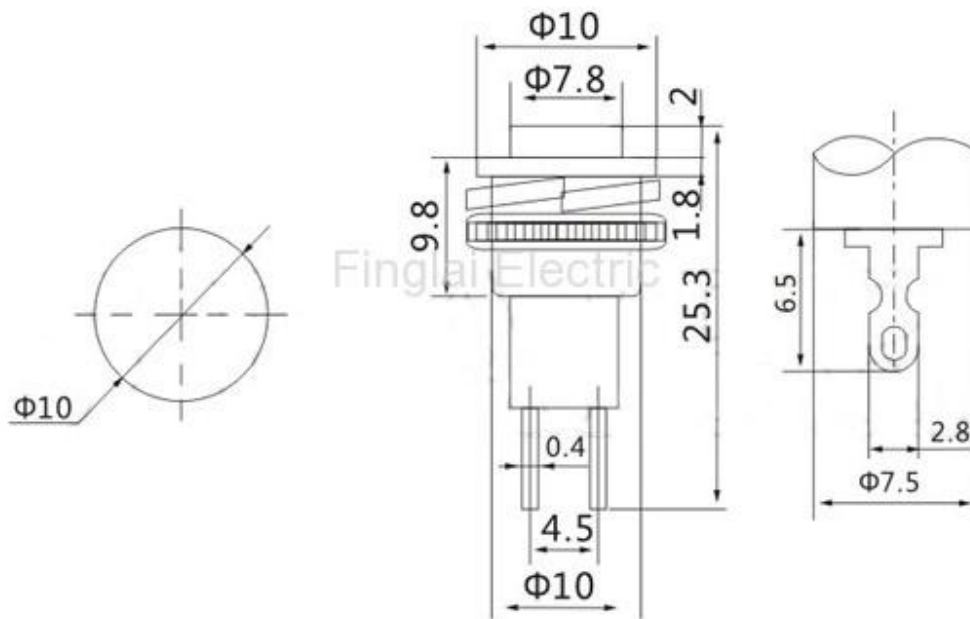
DS-211 push button drawing



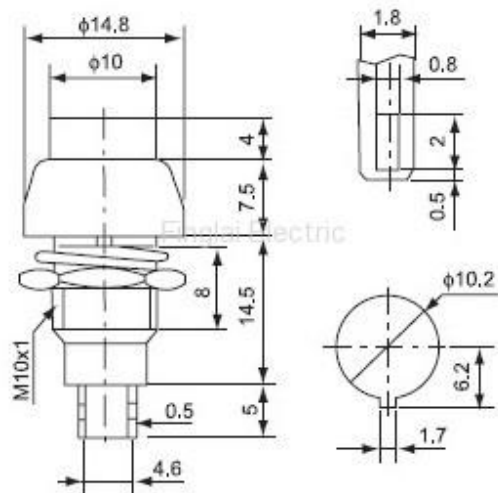
DS-314 push button drawing



DS-316 push button drawing



DS-450 push button drawing



DS-461 push button drawing

