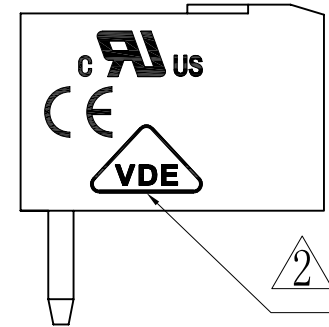
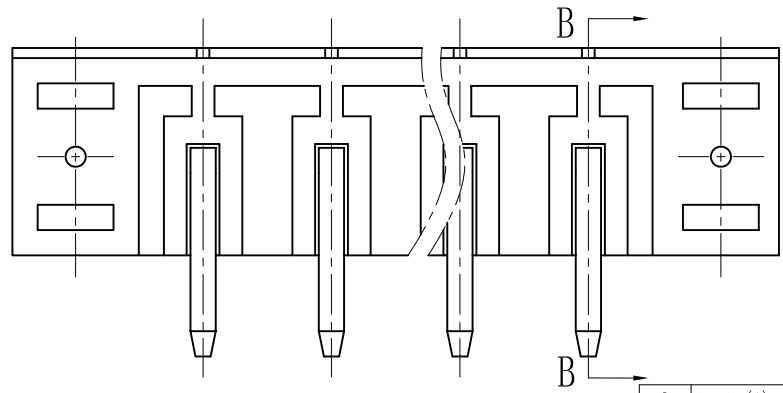
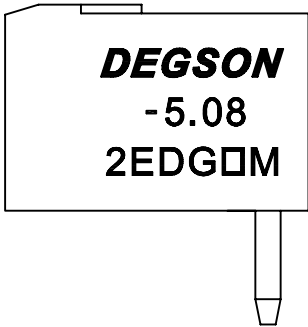
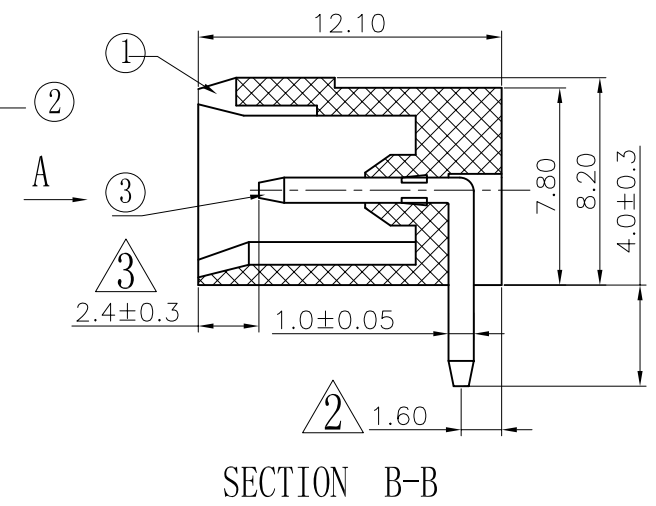
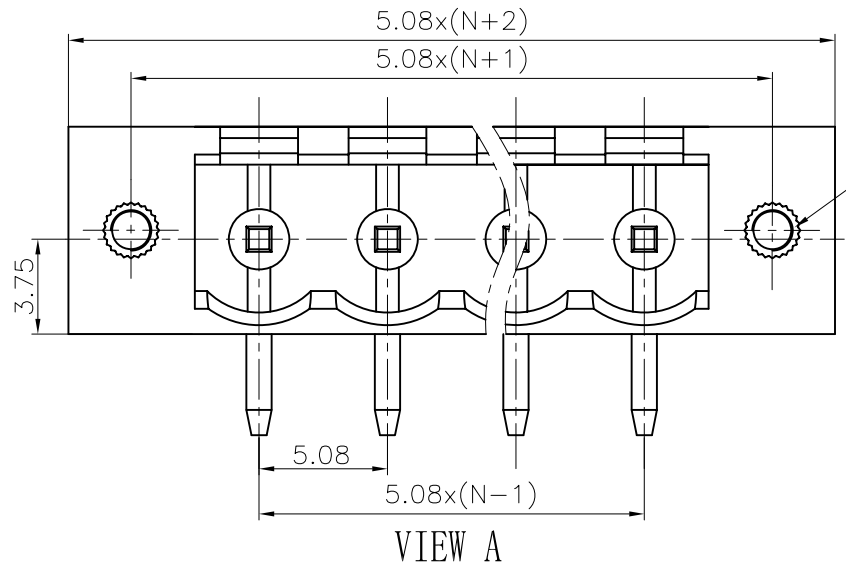


REVISION RECORD				
REV	ECO	DESCRIPTION	DRFT	DATE
△		Drawing emend	csx	04/04/06*
△		更新图面	LJH	04/16/08*
△	10-0329	增加标注尺寸	COCO	10/07/10*



- Notes:
- Pitch: 5.08mm, Poles: 2-22P
 - Rated voltage/current: UL 300V/15A
VDE 320V/20A
 - Operation temperatures: -40°C ~ +105°C
 - Withstanding Voltage: AC2000V/1min
 - Insulation Resistance: 5000MΩ/DC1000V
 - Undimensioned Tolerances:

Pitch range in mm		Nominal dimension range in mm						
to	over	to	over	to	over	to	over	
6	6 to 10	10 to 24	24 to 30	30 to 60	60 to 100	100 to 150	150	□
±0.10	±0.15	±0.25	±0.2	±0.3	±0.5	±0.7	±1.0	0.05/10

ITEM	NAME OF PART	NO. OF PART	Q'TY	MATERIAL	NOTES
3	2EDGR (A) Pin header (1*8.25*8.7)	1008B00040 (H)	XX	Brass	SnCe
2	2EDGK Screw Cap	S000000040 (H)	2	Brass	
1	2EDGRM-5.08-Housing	1012A0YXXA (H)	1	PA66	UL94V-0 B

DETACHED LISTS	MM (INCH)	DFTO HW	DATE 10/17/05*	宁波高正电子有限公司 DEGSON ELECTRONICS CO., LTD	
	TOLERANCES EXCEPT AS NOTED	CHKD	DATE		
		MFO	DATE		
		APPVL	DATE		
	NAME	2EDGRM-5.08-XXP-1Y-00A(H)			
	MATERIAL :	G.E. :		DRAWING NO. 2EDGRM-5.08-E03	
	ANGLES ± 1°	FINISH :		SIZE A3	
	THIRD ANGLE PROJECTION	SCALE :		REV T3 10/07/10*	
DO NOT SCALE DRAWING 1:1				SHEET 1	OF 1