

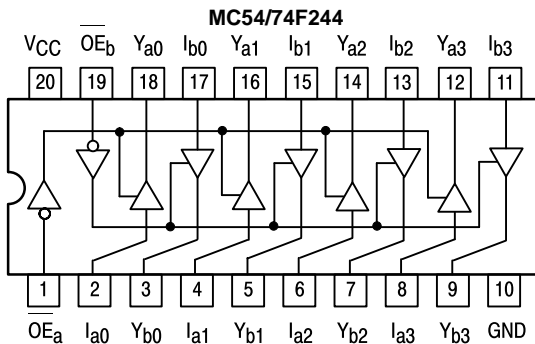
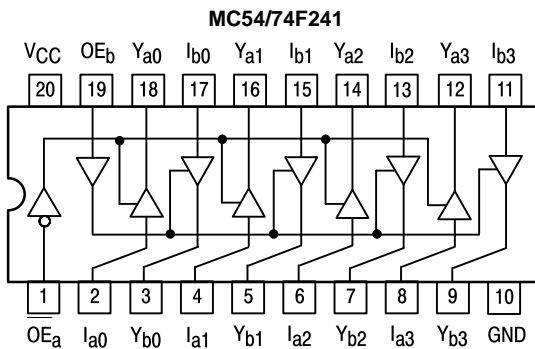
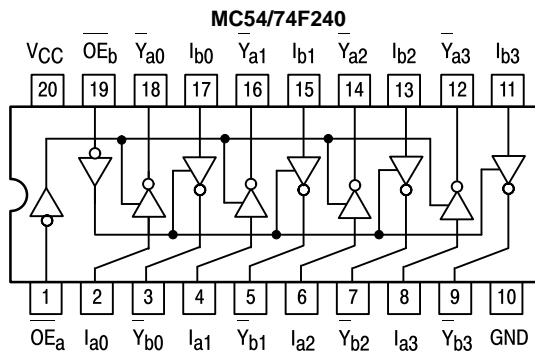


OCTAL BUFFER/LINE DRIVER WITH 3-STATE OUTPUTS

The F240, F241 and F244 are octal buffers and line drivers designed to be employed as memory address drivers, clock drivers, and bus-oriented transmitters/receivers which provide improved PC board density.

- 3-State Outputs Drive Bus Lines or Buffer Memory Address Registers
- Outputs Sink 64 mA
- 15 mA Source Current
- Input Clamp Diodes Limit High-Speed Termination Effects
- ESD > 4000 Volts

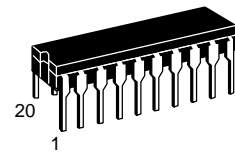
CONNECTION DIAGRAMS



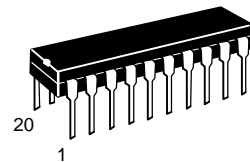
**MC54/74F240
MC54/74F241
MC54/74F244**

**OCTAL BUFFER/LINE DRIVER
WITH 3-STATE OUTPUTS**

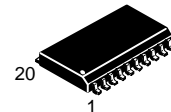
FAST™ SCHOTTKY TTL



**J SUFFIX
CERAMIC
CASE 732-03**



**N SUFFIX
PLASTIC
CASE 738-03**



**DW SUFFIX
SOIC
CASE 751D-03**

ORDERING INFORMATION

MC54FXXXJ	Ceramic
MC74FXXXN	Plastic
MC74FXXXDW	SOIC

MC54/74F240 • MC54/74F241 • MC54/74F244

FUNCTION TABLE
MC54/74F240

Inputs				Outputs	
OE _a	I _a	OE _b	I _b	Y _a	Y _b
L	L	L	L	H	H
L	H	L	H	L	L
H	X	H	X	Z	Z

FUNCTION TABLE
MC54/74F241

Inputs				Outputs	
OE _a	I _a	OE _b	I _b	Y _a	Y _b
L	L	H	L	L	L
L	H	H	H	H	H
H	X	L	X	Z	Z

FUNCTION TABLE
MC54/74F244

Inputs				Outputs	
OE _a	I _a	OE _b	I _b	Y _a	Y _b
L	L	L	L	L	L
L	H	L	H	H	H
H	X	H	X	Z	Z

H = HIGH Voltage Level; L = LOW Voltage Level; X = Don't Care; Z = High Impedance

GUARANTEED OPERATING RANGES

Symbol	Parameter		Min	Typ	Max	Unit
V _{CC}	Supply Voltage	54, 74	4.5	5.0	5.5	V
T _A	Operating Ambient Temperature Range	54	-55	25	125	°C
		74	0	25	70	
I _{OH}	Output Current — High	54			-12	mA
		74			-15	
I _{OL}	Output Current — Low	54			48	mA
		74			64	

MC54/74F240 • MC54/74F241 • MC54/74F244

DC CHARACTERISTICS OVER OPERATING TEMPERATURE RANGE (unless otherwise specified)

Symbol	Parameter		Limits			Unit	Test Conditions	
			Min	Typ	Max			
V _{IH}	Input HIGH Voltage		2.0			V	Guaranteed Input HIGH Voltage	
V _{IL}	Input LOW Voltage				0.8	V	Guaranteed Input LOW Voltage	
V _{IK}	Input Clamp Diode Voltage				-1.2	V	I _{IN} = -18 mA	V _{CC} = MIN
V _{OH}	Output HIGH Voltage	54, 74	2.4	3.4		V	I _{OH} = -3.0 mA	V _{CC} = 4.50 V
		74	2.7	3.4		V	I _{OH} = -3.0 mA	V _{CC} = 4.75 V
		54	2.0			V	I _{OH} = -12 mA	V _{CC} = 4.50 V
		74	2.0			V	I _{OH} = -15 mA	V _{CC} = 4.50 V
V _{OL}	Output LOW Voltage	54			0.55	V	I _{OL} = 48 mA	V _{CC} = MIN
		74			0.55	V	I _{OL} = 64 mA	
I _{OZH}	Output Off Current HIGH				50	μA	V _{OUT} = 2.7 V	V _{CC} = MAX
I _{OZL}	Output Off Current LOW				-50	μA	V _{OUT} = 0.5 V	V _{CC} = MAX
I _{IH}	Input HIGH Current				20	μA	V _{IN} = 2.7 V	V _{CC} = MAX
					100		V _{IN} = 7.0 V	
I _{IL}	Input LOW Current	Data Inputs F241, F244			-1.6	mA	V _{IN} = 0.5 V	V _{CC} = MAX
		Other			-1.0			
I _{OS}	Output Short Circuit Current (Note 2)	74	-100		-225	mA	V _{OUT} = GND	V _{CC} = MAX
		54	-100		-275			
I _{CCH}	Power Supply Current HIGH	F240			35	mA	V _{CC} = MAX	
		F241, F244			60			
I _{CCL}	Power Supply Current LOW	F240			75			
		F241, F244			90			
I _{CCZ}	Power Supply Current OFF	F240			75			
		F241, F244			90			

NOTES:

1. For conditions shown as MIN or MAX, use the appropriate value specified under recommended operating conditions for the applicable device type.
2. Not more than one output should be shorted at a time, nor for more than 1 second.

MC54/74F240 • MC54/74F241 • MC54/74F244

AC CHARACTERISTICS – MC54/74F240

Symbol	Parameter	54/74F			54F		74F		Unit
		T _A = +25°C V _{CC} = +5.0 V C _L = 50 pF			T _A = -55°C to +125°C V _{CC} = 5.0 V ± 10% C _L = 50 pF		T _A = 0°C to +70°C V _{CC} = 5.0 V ± 10% C _L = 50 pF		
		Min	Typ	Max	Min	Max	Min	Max	
t _{PLH}	Propagation Delay, Data to Output	2.5	5.1	7.0	2.5	9.0	2.5	8.0	ns
t _{PHL}		1.5	3.5	4.7	1.5	6.0	1.5	5.7	
t _{PZH}	Output Enable Time	2.0	3.5	5.2	2.0	6.5	2.0	5.7	ns
t _{PZL}		4.0	6.9	9.0	4.0	13.5	4.0	10	
t _{PHZ}	Output Disable Time	2.0	4.0	5.3	2.0	6.5	2.0	6.3	ns
t _{PLZ}		1.5	6.0	8.0	2.0	12.5	1.5	9.5	

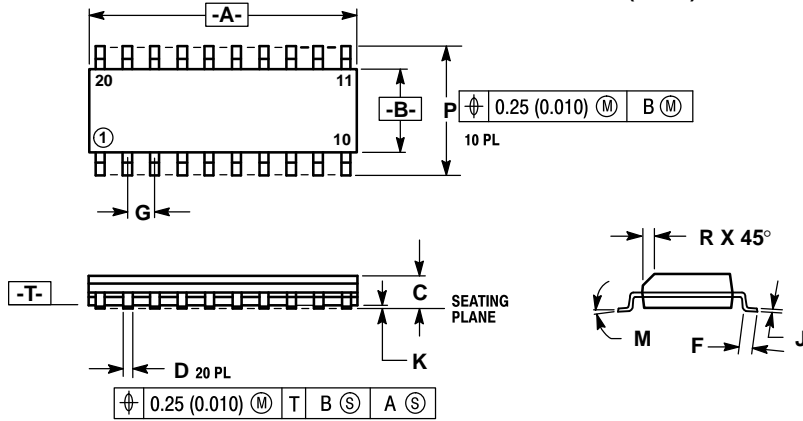
AC CHARACTERISTICS – MC54/74F241

Symbol	Parameter	54/74F			54F		74F		Unit
		T _A = +25°C V _{CC} = +5.0 V C _L = 50 pF			T _A = -55°C to +125°C V _{CC} = 5.0 V ± 10% C _L = 50 pF		T _A = 0°C to +70°C V _{CC} = 5.0 V ± 10% C _L = 50 pF		
		Min	Typ	Max	Min	Max	Min	Max	
t _{PLH}	Propagation Delay, Data to Output	2.5	4.0	5.2	2.0	6.5	2.5	6.2	ns
t _{PHL}		2.5	4.0	5.2	2.0	7.0	2.5	6.5	
t _{PZH}	Output Enable Time	2.0	4.3	5.7	2.0	7.0	2.0	6.7	ns
t _{PZL}		2.0	5.4	7.0	2.0	8.5	2.0	8.0	
t _{PHZ}	Output Disable Time	2.0	4.5	6.0	2.0	7.0	2.0	7.0	ns
t _{PLZ}		2.0	4.5	6.5	2.0	12.5	2.0	7.5	

AC CHARACTERISTICS – MC54/74F244

Symbol	Parameter	54/74F			54F		74F		Unit
		T _A = +25°C V _{CC} = +5.0 V C _L = 50 pF			T _A = -55°C to +125°C V _{CC} = 5.0 V ± 10% C _L = 50 pF		T _A = 0°C to +70°C V _{CC} = 5.0 V ± 10% C _L = 50 pF		
		Min	Typ	Max	Min	Max	Min	Max	
t _{PLH}	Propagation Delay, Data to Output	2.5	4.0	5.2	2.5	6.5	2.5	6.2	ns
t _{PHL}		2.5	4.0	5.2	2.5	7.0	2.5	6.5	
t _{PZH}	Output Enable Time	2.0	4.3	5.7	2.0	7.0	2.0	6.7	ns
t _{PZL}		2.0	5.4	7.0	2.0	8.5	2.0	8.0	
t _{PHZ}	Output Disable Time	2.0	4.5	6.0	2.0	7.0	2.0	7.0	ns
t _{PLZ}		2.0	4.5	6.0	2.0	10.0	2.0	7.0	

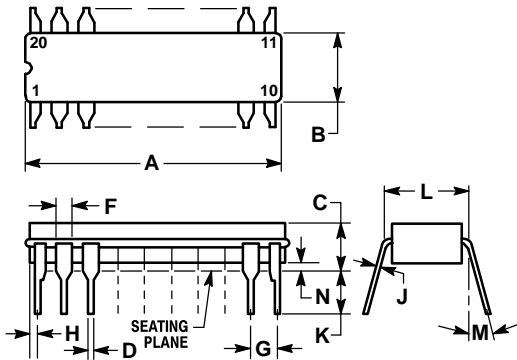
**Case 751D-03 DW Suffix
20-Pin Plastic
SO-20 (WIDE)**



- NOTES:
1. DIMENSIONING AND TOLERANCING PER ANSI Y14.5M, 1982.
 2. CONTROLLING DIMENSION: MILLIMETER.
 3. DIMENSION A AND B DO NOT INCLUDE MOLD PROTRUSION.
 4. MAXIMUM MOLD PROTRUSION 0.15 (0.006) PER SIDE.
 5. 751D-01, AND -02 OBSOLETE, NEW STANDARD 751D-03.

DIM	MILLIMETERS		INCHES	
	MIN	MAX	MIN	MAX
A	12.65	12.95	0.499	0.510
B	7.40	7.60	0.292	0.299
C	2.35	2.65	0.093	0.104
D	0.35	0.49	0.014	0.019
F	0.50	0.90	0.020	0.035
G	1.27 BSC	0.050 BSC		
J	0.25	0.32	0.010	0.012
K	0.10	0.25	0.004	0.009
M	0°	7°	0°	7°
P	10.05	10.55	0.395	0.415
R	0.25	0.75	0.010	0.029

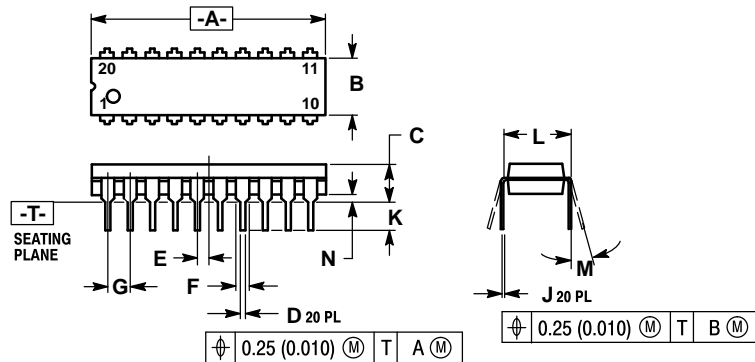
**Case 732-03 J Suffix
20-Pin Ceramic Dual In-Line**



- NOTES:
1. LEADS WITHIN 0.25 mm (0.010) DIA., TRUE POSITION AT SEATING PLANE, AT MAXIMUM MATERIAL CONDITION.
 2. DIM L TO CENTER OF LEADS WHEN FORMED PARALLEL.
 3. DIM A AND B INCLUDES MENISCUS.

DIM	MILLIMETERS		INCHES	
	MIN	MAX	MIN	MAX
A	23.88	25.15	0.940	0.990
B	6.60	7.49	0.260	0.295
C	3.81	5.08	0.150	0.200
D	0.38	0.56	0.015	0.022
F	1.40	1.65	0.055	0.065
G	2.54 BSC	0.100 BSC		
H	0.51	1.27	0.020	0.050
J	0.20	0.30	0.008	0.012
K	3.18	4.06	0.125	0.160
L	7.62 BSC	0.300 BSC		
M	0°	15°	0°	15°
N	0.25	1.02	0.010	0.040

**Case 738-03 N Suffix
20-Pin Plastic**



- NOTES:
1. DIMENSIONING AND TOLERANCING PER ANSI Y14.5M, 1982.
 2. CONTROLLING DIMENSION: INCH.
 3. DIMENSION "L" TO CENTER OF LEAD WHEN FORMED PARALLEL.
 4. DIMENSION "B" DOES NOT INCLUDE MOLD FLASH.
 5. 738-02 OBSOLETE, NEW STANDARD 738-03.

DIM	MILLIMETERS		INCHES	
	MIN	MAX	MIN	MAX
A	25.66	27.17	1.010	1.070
B	6.10	6.60	0.240	0.260
C	3.81	4.57	0.150	0.180
D	0.39	0.55	0.015	0.022
E	1.27 BSC	0.050 BSC		
F	1.27	1.77	0.050	0.070
G	2.54 BSC	0.100 BSC		
J	0.21	0.38	0.008	0.015
K	2.80	3.55	0.110	0.140
L	7.62 BSC	0.300 BSC		
M	0°	15°	0°	15°
N	0.51	1.01	0.020	0.040

Motorola reserves the right to make changes without further notice to any products herein. Motorola makes no warranty, representation or guarantee regarding the suitability of its products for any particular purpose, nor does Motorola assume any liability arising out of the application or use of any product or circuit, and specifically disclaims any and all liability, including without limitation consequential or incidental damages. "Typical" parameters can and do vary in different applications. All operating parameters, including "Typicals" must be validated for each customer application by customer's technical experts. Motorola does not convey any license under its patent rights nor the rights of others. Motorola products are not designed, intended, or authorized for use as components in systems intended for surgical implant into the body, or other applications intended to support or sustain life, or for any other application in which the failure of the Motorola product could create a situation where personal injury or death may occur. Should Buyer purchase or use Motorola products for any such unintended or unauthorized application, Buyer shall indemnify and hold Motorola and its officers, employees, subsidiaries, affiliates, and distributors harmless against all claims, costs, damages, and expenses, and reasonable attorney fees arising out of, directly or indirectly, any claim of personal injury or death associated with such unintended or unauthorized use, even if such claim alleges that Motorola was negligent regarding the design or manufacture of the part. Motorola and SM are registered trademarks of Motorola, Inc. Motorola, Inc. is an Equal Opportunity/Affirmative Action Employer.

Literature Distribution Centers:

USA: Motorola Literature Distribution; P.O. Box 20912; Phoenix, Arizona 85036.

EUROPE: Motorola Ltd.; European Literature Centre; 88 Tanners Drive, Blakelands, Milton Keynes, MK14 5BP, England.

JAPAN: Nippon Motorola Ltd.; 4-32-1, Nishi-Gotanda, Shinagawa-ku, Tokyo 141, Japan.

ASIA PACIFIC: Motorola Semiconductors H.K. Ltd.; Silicon Harbour Center, No. 2 Dai King Street, Tai Po Industrial Estate, Tai Po, N.T., Hong Kong.

