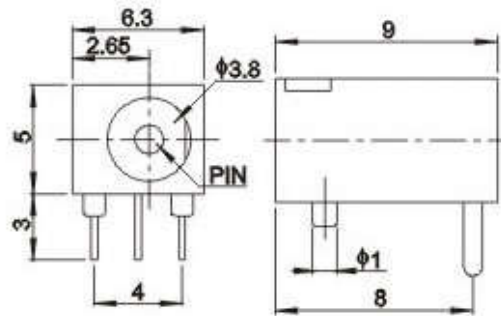
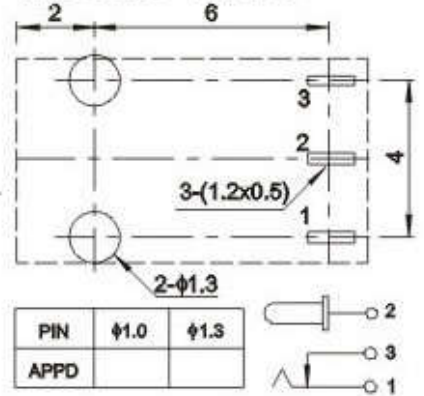


DC00030

Model: DC00030 DC0003E

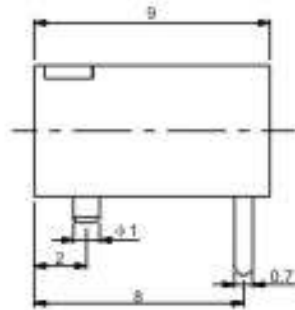
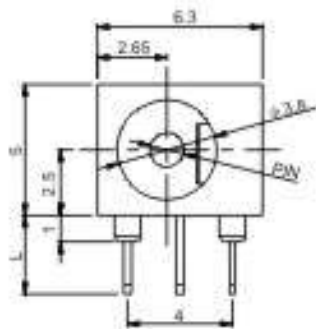


P.C.B LAYOUT TOP VIEW

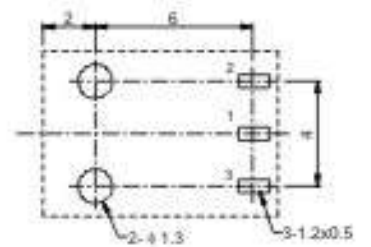


DC00030 DC0003E

DC PHONE JACKS



P.C.B Layout(copper-sided view)



DC MATE PLUG

L=3	DC00030- C	DC00030- E	DC0003E- F
L=1.4	DC0003B- C	DC0003B- E	
PIN	±1.0	±1.3	±1.45

