

## AR9344 Highly-Integrated and Feature-Rich IEEE 802.11n 2x2 2.4/5 GHz Premium SoC for Advanced WLAN Platforms

### General Description

The Atheros AR9344 is a highly integrated and feature-rich IEEE 802.11n 2x2 2.4/5 GHz System-on-a-Chip (SoC) for advanced WLAN platforms.

It includes a MIPS 74Kc processor, PCI Express 1.1 Root Complex and Endpoint interfaces, five port IEEE 802.3 Fast Ethernet Switch with MAC/PHY, one MII/RMII/RGMII interface, one USB 2.0 MAC/PHY, and external memory interface for serial Flash, SDRAM, DDR1 or DDR2, I<sup>2</sup>S/SPDIF-Out audio interface, SLIC VOIP/PCM interface, two UARTs, and GPIOs that can be used for LED controls or other general purpose interface configurations.

The AR9344 supports 802.11n operations up to 144 Mbps for 20 MHz and 300 Mbps for 40 MHz respectively, and 802.11a/b/g data rates. Additional features include Maximal Likelihood (ML) decoding, Low-Density Parity Check (LDPC), Maximal Ratio Combining (MRC), Tx Beamforming (TxBF), and On-Chip One-Time Programmable (OTP) memory.

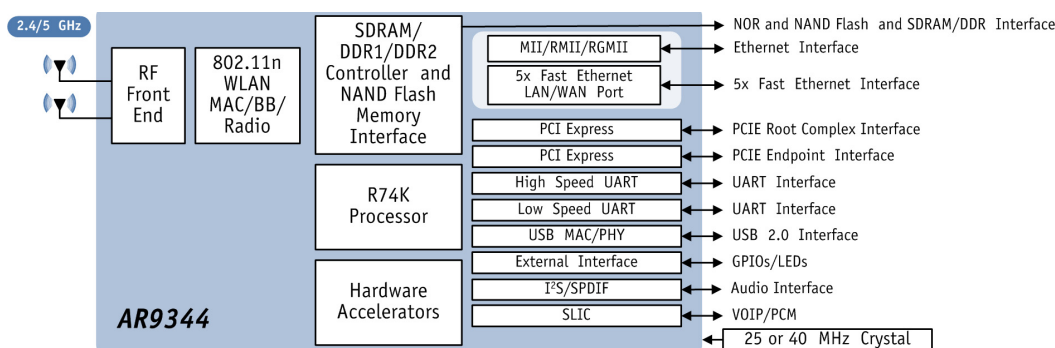
The AR9344 PCIE Root Complex interface can be used to connect to another Atheros single-chip MAC/BB/radio for dual concurrent WLAN applications. The AR9344 supports booting from either NOR or NAND flash. If NOR flash is used as boot codestore, an additional NAND flash device can still be connected, for end-user multimedia storage and other applications.

When connecting the AR9344 to an external host through the PCIE Endpoint interface, or the USB Device interface, the AR9344 can off load the host CPU from computation-intensive functions, allowing it to focus on its dedicated tasks.

### Features

- 74Kc MIPS processor with 64 KB I-Cache and 32 KB D-Cache, operating at up to 533 MHz
- External 16- or 32-bit DDR1, DDR2 operating at up to 200 MHz (400 M transfers/sec), or 16-bit SDRAM memory interface operating at up to 200 MHz
- NAND and SPI NOR Flash memory support
- 10/100 Ethernet Switch with five IEEE 802.3 Ethernet LAN ports
- MII/RMII/RGMII interface
- 802.3az Energy Efficient Ethernet compliant
- Hardware-based NAT & ACL accelerators for Ethernet interface
- Both PCI Express 1.1 Root Complex and Endpoint interfaces supported simultaneously
- One USB 2.0 controller with built-in MAC/PHY supports Host or Device mode
- Boot from external CPU via PCIE, USB, xMII, eliminating need for external flash
- I<sup>2</sup>S/SPDIF-out audio interface
- SLIC for VOIP/PCM
- One low-speed UART (115 Kbps), one high-speed UART (3 Mbps), and multiple GPIO pins for general purpose I/O
- Fully integrated RF Front-End including PAs and LNAs
- Optional external LNA/PA
- 25 MHz or 40 MHz reference clock input
- 1.2 V switching regulator
- Advanced power management with dynamic clock switching for ultra-low power modes
- 409-pin BGA package

### AR9344 System Block Diagram





## Table of Contents

<b>1 Pin Descriptions .....</b>	<b>23</b>		
<b>2 Functional Description .....</b>	<b>35</b>		
2.1 Functional Block Diagram .....	35		
2.2 Bootstrap Options .....	37		
2.3 RESET .....	38		
2.4 PLL and Clock Control .....	39		
2.4.1 Full Chip CLocking Structure ..	39		
2.4.1 CPU PLL .....	40		
2.4.2 DDR PLL .....	40		
2.4.3 Audio PLL .....	41		
2.5 MIPS Processor .....	41		
2.5.1 Configuration .....	41		
2.6 Address MAP .....	41		
2.7 DDR Memory Controller .....	42		
2.7.1 DDR Configurations .....	42		
2.7.2 Address Mapping .....	43		
2.7.3 Refresh .....	43		
2.8 PCIE EP .....	44		
2.8.1 PCIE EP DMA Interface .....	44		
2.8.2 PCIE EP Descriptor Format .....	44		
2.8.3 Reset and Initialization .....	46		
2.8.4 Interrupts .....	46		
2.8.5 Power Management .....	46		
2.9 PCIE RC .....	46		
2.9.6 Power Management .....	46		
2.9.7 Interrupts .....	46		
2.9.8 Error Reporting Capability and Status Checking .....	47		
2.9.9 Byte-Swap Option .....	47		
2.9.10 Request Sizes and Payloads .....	47		
2.10 SLIC .....	47		
2.10.1 Overview .....	47		
2.10.2 SLIC Interface .....	48		
2.10.3 Transmit .....	48		
2.10.4 Receive .....	48		
2.10.5 SLIC Interface Signals .....	48		
2.10.6 SLIC Master and Slave Modes ..	49		
2.11 Segmentation/Desegmentation/ Checksum Accelerator .....	50		
2.12 GPIO .....	52		
2.12.1 GPIO Output .....	53		
2.12.2 GPIO Input .....	55		
2.13 Serial Flash SPI/ROM .....	56		
2.13.1 SPI Operations .....	56		
2.13.2 Write Enable .....	56		
2.13.3 Page Program .....	56		
2.13.4 Page Read .....	56		
2.14 MDIO Slave Interface .....	57		
2.15 NAND Flash Controller .....	57		
2.15.1 Devices Supported .....	58		
2.15.2 Programmable NAND Interface Timing .....	58		
2.16 High-Speed UART Interface .....	59		
2.16.1 Transmit (Tx) .....	59		
2.16.2 Receive (Rx) .....	60		
2.17 Low-Speed UART Interface .....	60		
2.18 USB 2.0 Interface .....	60		
<b>3 Ethernet Subsystem .....</b>	<b>61</b>		
3.1 GMAC0 and GMAC1 .....	61		
3.1.1 External RGMII/RMII/MII Interface .....	62		
3.1.2 Ingress and Egress Flow of Data and Control Information .....	63		
3.2 GMAC Descriptor Structure: Rx .....	64		
3.2.1 Start Address for Packet Data (PKT_START_ADDR) .....	64		
3.2.2 Packet Size and Flags (PKT_SIZE) 64			
3.2.3 Start Address Packet Data (PKT_START_ADDR) .....	65		
3.3 GMAC Descriptor Structure: Tx .....	65		
3.3.1 Start Address for Packet Data (PKT_START_ADDR) .....	65		
3.3.2 Packet Size and Flags (PKT_SIZE) 66			
3.3.3 Start Address Packet Data (PKT_START_ADDR) .....	66		
3.4 NAT LUT Structure: Ingress and Egress 67			
3.5 Hardware Ager: Ingress and Egress ...	68		
3.6 Setup and Data/Packet Flow .....	68		
3.6.1 Ingress .....	68		
3.6.2 Egress .....	69		

3.7	ACL .....	70	5.1	Overview .....	87
3.7.1	ACL Data Structure .....	70	5.2	Descriptor .....	87
3.7.2	Global Rules .....	72	5.3	Descriptor Format .....	88
3.7.3	Entry Programming .....	73	5.4	Queue Control Unit (QCU) .....	106
3.7.4	ACL Programming and Software Flow .....	73	5.5	DCF Control Unit (DCU) .....	106
			5.5.1	DCU State Information .....	107
3.8	Ethernet Switch .....	75	5.6	Protocol Control Unit (PCU) .....	107
3.9	Five-Port Ethernet Switch .....	75	<b>6</b>	<b>Digital PHY Block .....</b>	<b>109</b>
3.9.1	Overview .....	75	6.1	Overview .....	109
3.9.2	Basic Switch Operation .....	76	6.2	802.11n (MIMO) Mode .....	109
3.9.3	Media Access Controllers (MAC) 76		6.2.1	Transmitter (Tx) .....	109
3.9.4	ACL .....	76	6.2.2	Receiver (Rx) .....	110
3.9.5	Register Access .....	77	6.3	802.11a/b/g Legacy Mode .....	110
3.9.6	LED Control .....	77	6.3.1	Transmitter .....	110
3.9.7	VLANs .....	78	6.3.2	Receiver .....	110
3.9.8	IEEE Port Security .....	78	<b>7</b>	<b>Radio Block .....</b>	<b>111</b>
3.9.9	Mirroring .....	78	7.1	Receiver (Rx) Block .....	112
3.9.10	Broadcast/Multicast/Unknown Unicast .....	78	7.2	Transmitter (Tx) Block .....	113
3.9.11	IGMP/MLD Snooping .....	78	7.3	Synthesizer (SYNTH) Block .....	114
3.9.12	Spanning Tree .....	79	7.4	Bias/Control (BIAS) Block .....	114
3.9.13	MIB/Statistics Counters .....	79	<b>8</b>	<b>Register Descriptions .....</b>	<b>115</b>
3.9.14	Atheros Header Configuration .	81	8.1	DDR Registers .....	116
3.9.15	IEEE 802.3 Reserved Group Addresses Filtering Control .....	81	8.1.1	DDR DRAM Configuration (DDR_CONFIG) .....	117
3.9.16	PPPoE Header Removal .....	82	8.1.2	DDR DRAM Configuration 2 (DDR_CONFIG2) .....	117
<b>4</b>	<b>Audio Interface .....</b>	<b>83</b>	8.1.3	DDR Mode Value (DDR_MODE_REGISTER) .....	117
4.1	Overview .....	83	8.1.4	DDR Extended Mode (DDR_EXTENDED_MODE_REGIS TER) .....	118
4.2	Audio PLL .....	83	8.1.5	DDR Control (DDR_CONTROL) .	118
4.3	I <sup>2</sup> S Interface .....	84	8.1.6	DDR Refresh Control and Configuration (DDR_REFRESH) .	118
4.3.1	External DAC .....	84	8.1.7	DDR Read Data Capture Bit Mask (DDR_RD_DATA_THIS_CYCLE)	118
4.3.2	Sample Sizes and Rates .....	84	8.1.8	DQS Delay Tap Control for Byte 0 (TAP_CONTROL_0) .....	119
4.3.3	Stereo Software Interface .....	84	8.1.9	DQS Delay Tap Control for Byte 1 (TAP_CONTROL_1) .....	119
4.4	SPDIF INTERFACE .....	84			
4.5	Mailbox (DMA Controller) .....	85			
4.5.1	Mailboxes .....	85			
4.5.2	MBOX DMA Operation .....	85			
4.5.3	Software Flow Control .....	86			
4.5.4	Mailbox Error Conditions .....	86			
4.5.5	MBOX-Specific Interrupts .....	86			
<b>5</b>	<b>WLAN Medium Access Control (MAC) 87</b>				

8.1.10	DQS Delay Tap Control for Byte 2 (TAP_CONTROL_2) .....	119	8.2.7	FIFO Control (FCR) .....	127
8.1.11	DQS Delay Tap Control for Byte 3 (TAP_CONTROL_3) .....	120	8.2.8	Line Control (LCR) .....	128
8.1.12	GMAC0 Interface Write Buffer Flush (DDR_WB_FLUSH_GMAC0) .	120	8.2.9	Modem Control (MCR) .....	128
8.1.13	GMAC1 Interface Write Buffer Flush (DDR_WB_FLUSH_GMAC1) .	120	8.2.10	Line Status (LSR) .....	129
8.1.14	USB Interface Write Buffer Flush (DDR_WB_FLUSH_USB) .....	120	8.2.11	Modem Status (MSR) .....	129
8.1.15	PCIE Interface Write Buffer Flush (DDR_WB_FLUSH_PCIE) .....	121	8.3	GPIO Registers .....	130
8.1.16	WMAC Interface Write Buffer Flush (DDR_WB_FLUSH_WMAC) ..	121	8.3.1	GPIO Output Enable (GPIO_OE) .	131
8.1.17	SRC1 Interface Write Buffer Flush (DDR_WB_FLUSH_SRC1) .....	121	8.3.2	GPIO Input Value (GPIO_IN) .	131
8.1.18	SRC2 Interface Write Buffer Flush (DDR_WB_FLUSH_SRC2) .....	121	8.3.3	GPIO Output Value (GPIO_OUT)	131
8.1.19	DDR2 Configuration (DDR_DDR2_CONFIG) .....	122	8.3.4	GPIO Per Bit Set (GPIO_SET) .	131
8.1.20	DDR EMR2 (DDR_EMR2) .....	122	8.3.5	GPIO Per Bit Clear (GPIO_CLEAR)	132
8.1.21	DDR EMR3 (DDR_EMR3) .....	122	8.3.6	GPIO Interrupt Enable (GPIO_INT)	132
8.1.22	AHB Master Timeout Control (AHB_MASTER_TIMEOUT_MAX) .....	122	8.3.7	GPIO Interrupt Type (GPIO_INT_TYPE) .....	132
8.1.23	AHB Timeout Current Count (AHB_MASTER_TIMEOUT_CURRENT) .....	123	8.3.8	GPIO Interrupt Polarity (GPIO_INT_POLARITY) .....	132
8.1.24	Timeout Slave Address (AHB_MASTER_TIMEOUT_SLAVE_ADDRESS) .....	123	8.3.9	GPIO Interrupt Pending (GPIO_INT_PENDING) .....	133
8.1.25	DDR Controller Configuration (DDR_CTL_CONFIG) .....	123	8.3.10	GPIO Interrupt Mask (GPIO_INT_MASK) .....	133
8.1.26	DDR Self Refresh Control (DDR_SF_CTL) .....	124	8.3.11	GPIO Ethernet LED Routing Select (GPIO_IN_ETH_SWITCH_LED) .	133
8.1.27	Self Refresh Timer (SF_TIMER) .	124	8.3.12	GPIO Function 0 (GPIO_OUT_FUNCTION0) ....	134
8.1.28	WMAC Flush (WMAC_FLUSH) ..	124	8.3.13	GPIO Function 1 (GPIO_OUT_FUNCTION1) ....	134
8.2	UART0 (Low-Speed) Registers .....	125	8.3.14	GPIO Function 2 (GPIO_OUT_FUNCTION2) ....	135
8.2.1	Receive Buffer (RBR) .....	125	8.3.15	GPIO Function 3 (GPIO_OUT_FUNCTION3) ....	135
8.2.2	Transmit Holding (THR) .....	125	8.3.16	GPIO Function 4 (GPIO_OUT_FUNCTION4) ....	135
8.2.3	Divisor Latch Low (DLL) .....	126	8.3.17	GPIO In Signals 0 (GPIO_IN_ENABLE0) .....	136
8.2.4	Divisor Latch High (DLH) .....	126	8.3.18	GPIO In Signals 1 (GPIO_IN_ENABLE1) .....	136
8.2.5	Interrupt Enable (IER) .....	126	8.3.19	GPIO In Signals 2 (GPIO_IN_ENABLE2) .....	136
8.2.6	Interrupt Identity (IIR) .....	127	8.3.20	GPIO In Signals 3 (GPIO_IN_ENABLE3) .....	136
			8.3.21	GPIO In Signals 4 (GPIO_IN_ENABLE4) .....	137

8.3.22 GPIO In Signals 9 (GPIO_IN_ENABLE9) .....	137	(RST_GENERAL_TIMERx) .....	146
8.3.23 GPIO Function (GPIO_FUNCTION) .....	137	8.5.2 General Purpose Timers Reload (RST_GENERAL_TIMER_RELOA Dx) .....	146
8.4 PLL Control Registers .....	138	8.5.3 Watchdog Timer Control (RST_WATCHDOG_TIMER_CON TROL) .....	147
8.4.1 CPU Phase Lock Loop Configuration (CPU_PLL_CONFIG) .....	139	8.5.4 Watchdog Timer (RST_WATCHDOG_TIMER) .	147
8.4.2 DDR PLL Configuration (DDR_PLL_CONFIG) .....	139	8.5.5 Miscellaneous Interrupt Status (RST_MISC_INTERRUPT_STATU S) .....	148
8.4.3 CPU DDR Clock Control (CPU_DDR_CLOCK_CONTROL) 140		8.5.6 Miscellaneous Interrupt Mask (RST_MISC_INTERRUPT_MASK) 149	
8.4.4 PCIE RC PLL Configuration (PCIE_PLL_CONFIG) .....	141	8.5.7 Global Interrupt Status (RST_GLOBAL_INTERRUPT_STA TUS) .....	149
8.4.5 PCIE Clock Jitter Max Value Control (PCIE_PLL_DITHER_DIV_MAX) 141		8.5.8 Reset (RST_RESET) .....	150
8.4.6 PCIE Clock Jitter Min Value Control (PCIE_PLL_DITHER_DIV_MIN) . 141		8.5.9 Chip Revision ID (RST_REVISION_ID) .....	151
8.4.7 PCIE Clock Jitter Step Control (PCIE_PLL_DITHER_STEP) ...	142	8.5.10 PCIE RC and WMAC Interrupt Status (RST_PCIE_WMAC_INTERRUPT_ STATUS) .....	151
8.4.8 Switch Clock Source Control (SWITCH_CLOCK_CONTROL) .. 142		8.5.11 Miscellaneous CPU Control Bits (RST_MISC2) .....	152
8.4.9 Current Dither Logic Output (CURRENT_PCIE_PLL_DITHER) 142		8.6 GMAC Interface Registers .....	153
8.4.10 Ethernet XMII Control (ETH_XMII_CONTROL) .....	143	8.6.1 Ethernet Configuration (ETH_CFG) .....	153
8.4.11 Audio PLL Configuration (AUDIO_PLL_CONFIG) .....	143	8.6.2 LUTs Ager Interrupt Status (LUTs_AGER_INT) .....	154
8.4.12 Audio PLL Modulation Control (AUDIO_PLL_MODULATION) .. 144		8.6.3 LUTs Ager Interrupt Mask (LUTS_AGER_INTR_MASK) .	154
8.4.13 Audio PLL Jitter Control (AUDIO_PLL_MOD_STEP) ....	144	8.6.4 GMAC0 Rx Data CRC Calculation Control (GMAC0_RXDATA_CRC_CONTR OL) .....	154
8.4.14 Current Audio Modulation Output (CURRENT_AUDIO_PLL_MODU LATION) .....	144	8.6.5 GMAC0 Valid RX Data CRC Value (GMAC0_RXDATA_CRC) .....	154
8.4.15 DRR PLL Dither Parameter (DRR_PLL_DITHER) .....	145	8.7 GMAC0 Ingress NAT /Egress NAT Registers 155	
8.4.16 CPU PLL Dither Parameter (CPU_PLL_DITHER) .....	145	8.7.1 Egress CPU Requested LUT Entry Lookup (EG_CPU_REQ) .....	158
8.5 Reset Registers .....	146	8.7.2 Egress CPU Request Status (EG_CPU_REQ_STATUS) .....	158
8.5.1 General Purpose Timers		8.7.3 Egress DW0 Information (EG_INFO_DW0) .....	159

8.7.4 Egress CPU Related DW0 Information (EG_CPU_REQUESTED_INFO_DW0) .....	159	1) .....	164
8.7.5 Egress DW0 Key (EG_KEY_DW0) .....	159	8.7.26 Ingress CPU Related DW2 Information (IG_CPU_REQUESTED_INFO_DW2) .....	164
8.7.6 Egress DW1 Key (EG_KEY_DW1) .....	159	8.7.27 Ingress CPU Related DW3 Information (IG_CPU_REQUESTED_INFO_DW3) .....	165
8.7.7 Egress Ageout DW0 Key (EG_AGER_KEY_DW0) .....	159	8.7.28 Ingress DW0 Key (IG_KEY_DW0) .....	165
8.7.8 Egress Ageout DW1 Key (EG_AGER_KEY_DW1) .....	160	8.7.29 Ingress Ageout DW0 Key (IG_AGER_KEY_DW0) .....	165
8.7.9 Egress Ager FIFO Signals (EG_AGER_INFO) .....	160	8.7.30 Ingress Ager FIFO Signals (IG_AGER_INFO) .....	165
8.7.10 Egress Memory (EG_MEM) ....	160	8.7.31 Ingress Memory (IG_MEM) ....	166
8.7.11 Egress Memory DW0 (EG_MEM_DW0) .....	160	8.7.32 Ingress Memory DW0 (IG_MEM_DW0) .....	166
8.7.12 Egress Memory DW1 (EG_MEM_DW1) .....	161	8.7.33 Ingress Memory DW1 (IG_MEM_DW1) .....	166
8.7.13 Egress Memory DW2 (EG_MEM_DW2) .....	161	8.7.34 Ingress Memory DW2 (IG_MEM_DW2) .....	166
8.7.14 Egress Link List (EG_LINKLIST) .	161	8.7.35 Ingress Memory DW3 (IG_MEM_DW3) .....	166
8.7.15 Egress Sub-Table Data (EG_SUBTABLE) .....	161	8.7.36 Ingress Link List (IG_LINKLIST) .	167
8.7.16 Egress Timer Ager Values (EG_AGER_TICK) .....	162	8.7.37 Ingress Sub-Table Data (IG_SUBTABLE) .....	167
8.7.17 Egress Ager Timeout (EG_AGER_TIMEOUT) .....	162	8.7.38 Ingress Timer Ager Values (IG_AGER_TICK) .....	167
8.7.18 Ingress CPU Requested LUT Entry Lookup (IG_CPU_REQ) .....	162	8.7.39 Ingress Ager Timeout (IG_AGER_TIMEOUT) .....	167
8.7.19 Ingress CPU Request Status (IG_CPU_REQ_STATUS) .....	163	8.7.40 Tx QoS Arbiter Configuration (TxQOS_ARB_CFG) .....	168
8.7.20 Ingress DW0 Information (IG_INFO_DW0) .....	163	8.7.41 Tx Status and Packet Count (DMATXSTATUS) .....	168
8.7.21 Ingress DW1 Information (IG_INFO_DW1) .....	163	8.7.42 Local MAC Address Dword0 (LCL_MAC_ADDR_DW0) .....	168
8.7.22 Ingress DW2 Information (IG_INFO_DW2) .....	164	8.7.43 Local MAC Address Dword1 (LCL_MAC_ADDR_DW1) .....	169
8.7.23 Ingress DW3 Information (IG_INFO_DW3) .....	164	8.7.44 Next Hop Router's MAC Address Dword0 (NXT_HOP_DST_ADDR_DW0) ..	169
8.7.24 Ingress CPU Related DW0 Information (IG_CPU_REQUESTED_INFO_DW0) .....	164	8.7.45 Next Hop Router's MAC Address Dword1 (NXT_HOP_DST_ADDR_DW1) ..	169
8.7.25 Ingress CPU Related DW1 Information (IG_CPU_REQUESTED_INFO_DW1) .....	164		

8.7.46 Local Global IP Address 0 (GLOBAL_IP_ADDR0) .....	169	8.7.69 Ingress ACL Counter Group 3 (IG_ACL_COUNTER_GRP3) .	177
8.7.47 Local Global IP Address 1 (GLOBAL_IP_ADDR1) .....	169	8.7.70 Ingress ACL Counter Group 4 (IG_ACL_COUNTER_GRP4) .	178
8.7.48 Local Global IP Address 2 (GLOBAL_IP_ADDR2) .....	170	8.7.71 Ingress ACL Counter Group 5 (IG_ACL_COUNTER_GRP5) .	178
8.7.49 Local Global IP Address 3 (GLOBAL_IP_ADDR3) .....	170	8.7.72 Ingress ACL Counter Group 6 (IG_ACL_COUNTER_GRP6) .	178
8.7.50 Egress NAT Control and Status (EG_NAT_CSR) .....	170	8.7.73 Ingress ACL Counter Group 7 (IG_ACL_COUNTER_GRP7) .	178
8.7.51 Egress NAT Counter (EG_NAT_CNTR) .....	171	8.7.74 Ingress ACL Counter Group 8 (IG_ACL_COUNTER_GRP8) .	179
8.7.52 Ingress NAT Control and Status (IG_NAT_CSR) .....	171	8.7.75 Ingress ACL Counter Group 9 (IG_ACL_COUNTER_GRP9) .	179
8.7.53 Ingress NAT Counter (IG_NAT_CNTR) .....	171	8.7.76 Ingress ACL Counter Group 10 (IG_ACL_COUNTER_GRP10) .	179
8.7.54 Egress ACL Control and Status (EG_ACL_CSR) .....	172	8.7.77 Ingress ACL Counter Group 11 (IG_ACL_COUNTER_GRP11) .	179
8.7.55 Ingress ACL Control and Status (IG_ACL_CSR) .....	172	8.7.78 Ingress ACL Counter Group 12 (IG_ACL_COUNTER_GRP12) .	180
8.7.56 Egress ACL CMD0 and Action (EG_ACL_CMD0_AND_ACTION) 173		8.7.79 Ingress ACL Counter Group 13 (IG_ACL_COUNTER_GRP13) .	180
8.7.57 Egress ACL CMD1, CMD2, CMD3, CMD4 (EG_ACL_CMD1234) ..	173	8.7.80 Ingress ACL Counter Group 14 (IG_ACL_COUNTER_GRP14) .	180
8.7.58 Egress ACL OPERAND0 (EG_ACL_OPERAND0) .....	173	8.7.81 Ingress ACL Counter Group 15 (IG_ACL_COUNTER_GRP15) .	180
8.7.59 Egress ACL OPERAND1 (EG_ACL_OPERAND1) .....	174	8.7.82 Egress ACL Counter Group 0 (EG_ACL_COUNTER_GRP0) .	181
8.7.60 Egress ACL Memory Control (EG_ACL_MEM_CONTROL) .	174	8.7.83 Egress ACL Counter Group 1 (EG_ACL_COUNTER_GRP1) .	181
8.7.61 Ingress ACL CMD0 and Action (IG_ACL_CMD0_AND_ACTION) 175		8.7.84 Egress ACL Counter Group 2 (EG_ACL_COUNTER_GRP2) .	181
8.7.62 Ingress ACL CMD1, CMD2, CMD3, CMD4 (IG_ACL_CMD1234) ...	175	8.7.85 Egress ACL Counter Group 3 (EG_ACL_COUNTER_GRP3) .	181
8.7.63 Ingress ACL OPERAND0 (IG_ACL_OPERAND0) .....	175	8.7.86 Egress ACL Counter Group 4 (EG_ACL_COUNTER_GRP4) .	182
8.7.64 Egress ACL OPERAND1 (EG_ACL_OPERAND1) .....	176	8.7.87 Egress ACL Counter Group 5 (EG_ACL_COUNTER_GRP5) .	182
8.7.65 Ingress ACL Memory Control (IG_ACL_MEM_CONTROL) ..	176	8.7.88 Egress ACL Counter Group 6 (EG_ACL_COUNTER_GRP6) .	182
8.7.66 Ingress ACL Counter Group 0 (IG_ACL_COUNTER_GRP0) ..	177	8.7.89 Egress ACL Counter Group 7 (EG_ACL_COUNTER_GRP7) .	182
8.7.67 Ingress ACL Counter Group 1 (IG_ACL_COUNTER_GRP1) ..	177	8.7.90 Egress ACL Counter Group 8 (EG_ACL_COUNTER_GRP8) .	183
8.7.68 Ingress ACL Counter Group 2 (IG_ACL_COUNTER_GRP2) ..	177	8.7.91 Egress ACL Counter Group 9 (EG_ACL_COUNTER_GRP9) .	183
		8.7.92 Egress ACL Counter Group 10 (EG_ACL_COUNTER_GRP10) .	183



8.7.93 Egress ACL Counter Group 11 (EG_ACL_COUNTER_GRP11) 183	(EG_ACL_RULE_TABLE0_LOWE R) ..... 187
8.7.94 Egress ACL Counter Group 12 (EG_ACL_COUNTER_GRP12) 184	8.7.112 Egress ACL Rule Table0 Upper (EG_ACL_RULE_TABLE0_UPPER) ..... 187
8.7.95 Egress ACL Counter Group 13 (EG_ACL_COUNTER_GRP13) 184	8.7.113 Egress ACL Rule Table1 Lower (EG_ACL_RULE_TABLE1_LOWE R) ..... 188
8.7.96 Egress ACL Counter Group 14 (EG_ACL_COUNTER_GRP14) 184	8.7.114 Egress ACL Rule Table1 Upper (EG_ACL_RULE_TABLE1_UPPER) ..... 188
8.7.97 Egress ACL Counter Group 15 (EG_ACL_COUNTER_GRP15) 184	8.7.115 Egress ACL Rule Table2 Lower (EG_ACL_RULE_TABLE2_LOWE R) ..... 188
8.7.98 Clear ACL Counters (CLEAR_ACL_COUNTERS) .. 185	8.7.116 Egress ACL Rule Table2 Upper (EG_ACL_RULE_TABLE2_UPPER) ..... 188
8.7.99 Ingress ACL Rule Vector Lower (IG_ACL_RULE_VECTOR_LOWE R) ..... 185	8.7.117 Egress ACL Rule Table3 Lower (EG_ACL_RULE_TABLE3_LOWE R) ..... 188
8.7.100 Ingress ACL Rule Vector Upper (IG_ACL_RULE_VECTOR_UPPER ) ..... 185	8.7.118 Egress ACL Rule Table3 Upper (EG_ACL_RULE_TABLE3_UPPER) ..... 188
8.7.101 Egress ACL Rule Vector Lower (EG_ACL_RULE_VECTOR_LOWE R) ..... 185	8.8 MBOX Registers ..... 189
8.7.102 Egress ACL Rule Vector Upper (EG_ACL_RULE_VECTOR_UPPE R) ..... 185	8.8.1 Non-Destructive FIFO Status Query (MBOX_FIFO_STATUS) ..... 190
8.7.103 Ingress ACL Rule Table0 Lower (IG_ACL_RULE_TABLE0_LOWER ) ..... 186	8.8.2 Non-Destructive SLIC FIFO Status Query (SLIC_MBOX_FIFO_STATUS) 190
8.7.104 Ingress ACL Rule Table0 Upper (IG_ACL_RULE_TABLE0_UPPER) 186	8.8.3 Mailbox DMA Engine Policy Control (MBOX_DMA_POLICY) . 191
8.7.105 Ingress ACL Rule Table1 Lower (IG_ACL_RULE_TABLE1_LOWER ) ..... 186	8.8.4 SLIC Mailbox DMA Engine Policy Control (SLIC_MBOX_DMA_POLICY) 192
8.7.106 Ingress ACL Rule Table1 Upper (IG_ACL_RULE_TABLE1_UPPER) 186	8.8.5 Mailbox Rx DMA Descriptors Base Address (MBOX_DMA_RX_DESCRIPTOR_ BASE) ..... 192
8.7.107 Ingress ACL Rule Table2 Lower (IG_ACL_RULE_TABLE2_LOWER ) ..... 186	8.8.6 Mailbox Rx DMA Control (MBOX_DMA_RX_CONTROL) 193
8.7.108 Ingress ACL Rule Table2 Upper (IG_ACL_RULE_TABLE2_UPPER) 187	8.8.7 Mailbox Tx DMA Descriptors Base Address (MBOX_DMA_TX_DESCRIPTOR_ BASE) ..... 193
8.7.109 Ingress ACL Rule Table3 Lower (IG_ACL_RULE_TABLE3_LOWER ) ..... 187	8.8.8 Mailbox Tx DMA Control (MBOX_DMA_TX_CONTROL) 194
8.7.110 Ingress ACL Rule Table3 Upper (IG_ACL_RULE_TABLE3_UPPER) 187	8.8.9 SLIC Rx DMA Descriptors Base Address
8.7.111 Egress ACL Rule Table0 Lower	

(SLIC_DMA_RX_DESCRIPTOR_B ASE) .....	194	8.10.1 Configure Stereo Block (STEREO_CONFIG) .....	204
8.8.10 SLIC Rx DMA Control (SLIC_DMA_RX_CONTROL) .....	195	8.10.2 Set Stereo Volume (STEREO_VOLUME) .....	206
8.8.11 SLIC Tx DMA Descriptors Base Address (SLIC_DMA_TX_DESCRIPTOR_B ASE) .....	195	8.10.3 Stereo Master Clock (STEREO_MASTER_CLOCK) .....	207
8.8.12 SLIC Tx DMA Control (SLIC_DMA_TX_CONTROL) .....	196	8.10.4 Tx Sample Counter (STEREO_TX_SAMPLE_CNT_LSB) .....	207
8.8.13 Mailbox FIFO Status (MBOX_FRAME) .....	196	8.10.5 Tx Sample Counter (STEREO_TX_SAMPLE_CNT_MSB) .....	207
8.8.14 SLIC Mailbox FIFO Status (SLIC_MBOX_FRAME) .....	196	8.10.6 Rx Sample Counter (STEREO_RX_SAMPLE_CNT_LSB) .....	207
8.8.15 FIFO Timeout Period (FIFO_TIMEOUT) .....	197	8.10.7 Rx Sample Counter (STEREO_RX_SAMPLE_CNT_MSB) .....	207
8.8.16 MBOX Related Interrupt Status (MBOX_INT_STATUS) .....	197	8.11 MDIO Registers .....	208
8.8.17 SLIC MBOX Related Interrupt Status (SLIC_MBOX_INT_STATUS) .....	198	8.11.1 MDIO APB Registers (MDIO_REG) .....	208
8.8.18 MBOX Related Interrupt Enables (MBOX_INT_ENABLE) .....	198	8.11.2 MDIO Interrupt (MDIO_ISR) .....	208
8.8.19 SLIC MBOX Related Interrupt Enables (SLIC_MBOX_INT_ENABLE) .....	199	8.11.3 MDIO Slave PHY Addresses (MDIO_PHY_ADDR) .....	208
8.8.20 Reset and Clear MBOX FIFOs (MBOX_FIFO_RESET) .....	199	8.12 PCIE RC Control Registers .....	209
8.8.21 SLIC Reset and Clear MBOX FIFOs (SLIC_MBOX_FIFO_RESET) .....	199	8.12.1 PCIE Application Control (PCIE_APP) .....	210
8.9 SLIC Registers .....	200	8.12.2 PCIE Interrupt and Error (PCIE_AER) .....	210
8.9.1 SLIC Slots (SLIC_SLOT) .....	200	8.12.3 PCIE Power Management (PCIE_PWR_MGMT) .....	211
8.9.2 SLIC Clock Control (SLIC_CLOCK_CONTROL) .....	200	8.12.4 PCIE Electromechanical (PCIE_ELEC) .....	211
8.9.3 SLIC Control (SLIC_CTRL) .....	201	8.12.5 PCIE Configuration (PCIE_CFG) .....	212
8.9.4 SLIC Tx Slots 1 (SLIC_TX_SLOTS1) .....	201	8.12.6 PCIE Receive Completion (PCIE_RX_CNTL) .....	212
8.9.5 SLIC Tx Slots 2 (SLIC_TX_SLOTS2) .....	201	8.12.7 PCIE Reset (PCIE_RESET) .....	213
8.9.6 SLIC Rx Slots 1 (SLIC_RX_SLOTS1) .....	201	8.12.8 PCIE PHY Configuration Data (PCIE_PHY_CFG_DATA) .....	213
8.9.7 SLIC Rx Slots 2 (SLIC_RX_SLOTS2) .....	201	8.12.9 PCIE MAC-PHY Interface Signals (PCIE_MAC_PHY) .....	213
8.9.8 SLIC Timing Control (SLIC_TIMING_CTRL) .....	202	8.12.10 PCIE PHY-MAC Interface Signals (PCIE_PHY_MAC) .....	214
8.9.9 SLIC Interrupt (SLIC_INTR) .....	203	8.12.11 PCIE Sideband Bus1 (PCIE_SIDEHAND1) .....	214
8.9.10 SLIC Swap (SLIC_SWAP) .....	203	8.12.12 PCIE Sideband Bus2 (PCIE_SIDEHAND2) .....	214
8.10 Stereo Registers .....	204		

8.12.13 PCIE MSI Lower Address (PCIE_MSI_ADDR) .....	215	8.13.22 Secondary Interrupt Status 3 (ISR_S3) .....	228
8.12.14 PCIE MSI Data Value (PCIE_MSI_DATA) .....	215	8.13.23 Secondary Interrupt Status 4 (ISR_S4) .....	228
8.12.15 PCIE Interrupt Status (PCIE_INT_STATUS) .....	216	8.13.24 Secondary Interrupt Status 5 (ISR_S5) .....	228
8.12.16 PCIE Interrupt Mask (PCIE_INT_MASK) .....	217	8.13.25 Primary Interrupt Mask (IMR_P) 229	
8.13 WDMA Registers .....	218	8.13.26 Secondary Interrupt Mask 0 (IMR_S0) .....	230
8.13.1 Command (CR) .....	219	8.13.27 Secondary Interrupt Mask 1 (IMR_S1) .....	230
8.13.2 Configuration and Status (CFG) ... 219		8.13.28 Secondary Interrupt Mask 2 (IMR_S2) .....	231
8.13.3 Rx DMA Data Buffer Pointer Threshold (RXBUFPTR_THRESH) 220		8.13.29 Secondary Interrupt Mask 3 (IMR_S3) .....	231
8.13.4 Tx DMA Descriptor Pointer Threshold (TXDPPTR_THRESH) . 220		8.13.30 Secondary Interrupt Mask 4 (IMR_S4) .....	232
8.13.5 Maximum Interrupt Rate Threshold (MIRT) .....	220	8.13.31 Secondary Interrupt Mask 5 (IMR_S5) .....	232
8.13.6 Interrupt Global Enable (IER) .	221	8.13.32 Primary Interrupt Status Read and Clear (ISR_P_RAC) .....	232
8.13.7 Tx Interrupt Mitigation Thresholds (TIMT) .....	221	8.13.33 Secondary Interrupt Status 0 (ISR_S0_S) .....	233
8.13.8 Rx Interrupt Mitigation Thresholds (RIMT) .....	221	8.13.34 Secondary Interrupt Status 1 (ISR_S1_S) .....	233
8.13.9 Tx Configuration (TXCFG) .....	222	8.13.35 Secondary Interrupt Status 2 (ISR_S2_S) .....	233
8.13.10 Rx Configuration (RXCFG) ...	222	8.13.36 Secondary Interrupt Status 3 (ISR_S3_S) .....	233
8.13.11 MIB Control (MIBC) .....	223	8.13.37 Secondary Interrupt Status 4 (ISR_S4_S) .....	233
8.13.12 Global Tx Timeout (GTT) .....	223	8.13.38 Secondary Interrupt Status 5 (ISR_S5_S) .....	233
8.13.13 Global Tx Timeout Mode (GTTM) 223		8.14 WQCU Registers .....	234
8.13.14 Carrier Sense Timeout (CST) .	224	8.14.1 Tx Queue Descriptor (Q_TXDP) .. 234	
8.13.15 Size of High and Low Priority (RXDP_SIZE) .....	224	8.14.2 QCU_STATUS_RING_START_AD DRESS Lower 32 bits of Address (Q_STATUS_RING_START) ...	235
8.13.16 MAC Rx High Priority Queue RXDP Pointer (RX_QUEUE_HP_RXDP) .....	224	8.14.3 QCU_STATUS_RING_END_ADD R Lower 32 Bits of Address (Q_STATUS_RING_END) .....	235
8.13.17 MAC Rx Low Priority Queue RXDP Pointer (RX_QUEUE_LP_RXDP) .....	224	8.14.4 QCU_STATUS_RING_CURRENT Address (Q_STATUS_RING_CURRENT) ..	
8.13.18 Primary Interrupt Status (ISR_P) 225			
8.13.19 Secondary Interrupt Status 0 (ISR_S0) .....	226		
8.13.20 Secondary Interrupt Status 1 (ISR_S1) .....	226		
8.13.21 Secondary Interrupt Status 2 (ISR_S2) .....	227		

235	247
8.14.5 Tx Queue Enable (Q_TXE) ..... 235	8.16.4 Crystal Settling Time (XTAL_SETTLE) ..... 248
8.14.6 Tx Queue Disable (Q_TXD) .... 236	8.16.5 Pin Clock Speed Control (CLOCK_OUT) ..... 248
8.14.7 CBR Configuration (Q_CBRCFG) 236	8.16.6 Reset Cause (RESET_CAUSE) 249
8.14.8 ReadyTime Configuration (Q_RDYTIMECFG) ..... 236	8.16.7 System Sleep Status (SYSTEM_SLEEP) ..... 249
8.14.9 OneShotArm Set Control (Q_ONESHOTARM_SC) ..... 237	8.16.8 Keep Awake Timer (KEEP_AWAKE) ..... 249
8.14.10 OneShotArm Clear Control (Q_ONESHOTARM_CC) ..... 237	8.16.9 Derived RTC Clock (DERIVED_RTC_CLK) ..... 250
8.14.11 Misc. QCU Settings (Q_MISC) 238	8.16.10 RTC Sync (RTC_SYNC_REGISTER) ..... 250
8.14.12 Misc. QCU Status (Q_STS) .... 240	8.16.11 RTC Sync Status (RTC_SYNC_STATUS) ..... 250
8.14.13 ReadyTimeShutdown Status (Q_RDYTIMESHDN) ..... 240	8.16.12 RTC Interrupt Cause (RTC_SYNC_INTR_CAUSE) .. 251
8.14.14 Descriptor CRC Check (MAC_QCU_DESC_CRC_CHK) .. 240	8.16.13 RTC Interrupt Enable (RTC_SYNC_INTR_ENABLE) 251
8.15 WLAN DCU Registers ..... 241	8.16.14 RTC Interrupt Mask (RTC_SYNC_INTR_MASK) .... 251
8.15.1 QCU Mask (D_QCUMASK) .... 241	8.17 WPCU Registers ..... 252
8.15.2 DCU-Specific IFS Settings (D_LCL_IFS) ..... 242	8.17.1 STA Address Lower 32 Bits (WMAC_PCU_STA_ADDR_L32) 254
8.15.3 Retry Limits (D_RETRY_LIMIT) .. 242	8.17.2 STA Address Upper 16 Bits (WMAC_PCU_STA_ADDR_U16) 255
8.15.4 ChannelTime Settings (D_CHNTIME) ..... 242	8.17.3 BSSID Lower 32 Bits (WMAC_PCU_BSSID_L32) ..... 255
8.15.5 Misc. DCU-Specific Settings (D_MISC) ..... 243	8.17.4 BSSID Upper 16 Bits (WMAC_PCU_BSSID_U16) .... 255
8.15.6 DCU-Global IFS Settings: SIFS Duration (D_GBL_IFS_SIFS) ... 243	8.17.5 Beacon RSSI Average (WMAC_PCU_BCN_RSSI_AVE) . 256
8.15.7 DCU-Global IFS Settings: Slot Duration (D_GBL_IFS_SLOT) . 243	8.17.6 ACK and CTS Timeout (WMAC_PCU_ACK_CTS_TIMEO UT) ..... 256
8.15.8 DCU-Global IFS Settings: EIFS Duration (D_GBL_IFS{EIFS}) ... 244	8.17.7 Beacon RSSI Control (WMAC_PCU_BCN_RSSI_CTL) .. 256
8.15.9 DCU-Global IFS Settings: Misc. Parameters (D_GBL_IFS_MISC) ... 244	8.17.8 Ms Counter and Rx/Tx Latency (WMAC_PCU_USEC_LATENCY) 257
8.15.10 DCU Tx Pause Control/Status (D_TXPSE) ..... 245	8.17.9 Reset TSF (WMAC_PCU_RESET_TSF) ... 257
8.15.11 DCU Transmission Slot Mask (D_TXSLOTMASK) ..... 245	8.17.10 Maximum CFP Duration
8.16 RTC Registers ..... 246	
8.16.1 Reset Control (RESET_CONTROL) 246	
8.16.2 PLL Control Settings (PLL_CONTROL) ..... 247	
8.16.3 PLL Settling Time (PLL_SETTLE)	

(WMAC_PCU_MAX_CFP_DUR) 257	6) .....	263
8.17.11 Rx Filter (WMAC_PCU_RX_FILTER) ...	8.17.30 Tx Power Control (WMAC_PCU_TPC) .....	263
8.17.12 Multicast Filter Mask Lower 32 Bits (WMAC_PCU_MCAST_FILTER_L 32) .....	8.17.31 Tx Frame Counter (WMAC_PCU_TX_FRAME_CNT) 264	264
8.17.13 Multicast Filter Mask Upper 32 Bits (WMAC_PCU_MCAST_FILTER_U 32) .....	8.17.32 Rx Frame Counter (WMAC_PCU_RX_FRAME_CNT) 264	264
8.17.14 Diagnostic Switches (WMAC_PCU_DIAG_SW) .....	8.17.33 Rx Clear Counter (WMAC_PCU_RX_CLEAR_CNT) 264	264
8.17.15 TSF Lower 32 Bits (WMAC_PCU_TSF_L32) .....	8.17.34 Cycle Counter (WMAC_PCU_CYCLE_CNT) ..	264
8.17.16 TSF Upper 32 Bits (WMAC_PCU_TSF_U32) .....	8.17.35 Quiet Time 1 (WMAC_PCU_QUIET_TIME_1) ..	264
8.17.17 AES Mute Mask 0 (WMAC_PCU_AES_MUTE_MASK _0) .....	8.17.36 Quiet Time 2 (WMAC_PCU_QUIET_TIME_2) ..	265
8.17.18 AES Mute Mask 1.....	8.17.37 QoS NoACK (WMAC_PCU_QOS_NO_ACK) ..	265
(WMAC_PCU_AES_MUTE_MASK _1) .....	8.17.38 PHY Error Mask (WMAC_PCU_PHY_ERROR_MAS K) .....	266
8.17.19 Last Rx Beacon TSF (WMAC_PCU_LAST_BEACON_T SF) .....	8.17.39 Rx Buffer (WMAC_PCU_RXBUF) 266	261
8.17.20 Current NAV (WMAC_PCU_NAV) .....	8.17.40 QoS Control (WMAC_PCU_MIC_QOS_CONTR OL) .....	267
8.17.21 Successful RTS Count (WMAC_PCU_RTS_SUCCESS_CN T) .....	8.17.41 Michael QoS Select (WMAC_PCU_MIC_QOS_SELECT ) .....	267
8.17.22 Failed RTS Count (WMAC_PCU_RTS_FAIL_CNT) . 261	8.17.42 Miscellaneous Mode (WMAC_PCU_MISC_MODE) ..	268
8.17.23 FAIL ACK Count (WMAC_PCU_ACK_FAIL_CNT) 262	8.17.43 Filtered OFDM Counter (WMAC_PCU_FILTER_OFDM_C NT) .....	268
8.17.24 Failed FCS Count (WMAC_PCU_FCS_FAIL_CNT) . 262	8.17.44 Filtered CCK Counter (WMAC_PCU_FILTER_CCK_CNT ) .....	269
8.17.25 Beacon Count (WMAC_PCU_BEACON_CNT) .. 262	8.17.45 PHY Error Counter 1 (WMAC_PCU_PHY_ERR_CNT_1) 269	269
8.17.26 Sleep 1 (WMAC_PCU_SLP1)	8.17.46 PHY Error Counter 1 Mask (WMAC_PCU_PHY_ERR_CNT_1_ MASK) .....	269
8.17.27 Sleep 2 (WMAC_PCU_SLP2)	8.17.47 PHY Error Counter 2	
8.17.28 Address 1 Mask Lower 32 Bits (WMAC_PCU_ADDR1_MASK_L3 2) .....		
8.17.29 Address 1 Mask Upper 16 Bits (WMAC_PCU_ADDR1_MASK_U1		

(WMAC_PCU_PHY_ERR_CNT_2) 269	8.17.67 Sleep MIB Cycle Count (WMAC_PCU_SLP_MIB2) ..... 275
8.17.48 PHY Error Counter 2 Mask (WMAC_PCU_PHY_ERR_CNT_2_ MASK) ..... 270	8.17.68 Sleep MIB Control Status (WMAC_PCU_SLP_MIB3) ..... 275
8.17.49 TSF Threshold (WMAC_PCU_TSF_THRESHOLD) ..... 270	8.17.69 MAC PCU WoW 1 (WMAC_PCU_WOW1) ..... 276
8.17.50 PHY Error EIFS Mask (WMAC_PCU_PHY_ERROR{EIFS_ MASK) ..... 270	8.17.70 PCU WoW 2 (WMAC_PCU_WOW2) ..... 276
8.17.51 PHY Error Counter 3 (WMAC_PCU_PHY_ERR_CNT_3) 270	8.17.71 MAC PCU WoW Beacon Fail Enable (WMAC_PCU_WOW3_BEACON_ FAIL) ..... 276
8.17.52 PHY Error Counter 3 Mask (WMAC_PCU_PHY_ERR_CNT_3_ MASK) ..... 270	8.17.72 MAC PCU WoW Beacon Fail Timeout (WMAC_PCU_WOW3_BEACON) 277
8.17.53 MAC PCU Generic Timers 2 (WMAC_PCU_GENERIC_TIMERS 2) ..... 271	8.17.73 MAC PCU WoW Keep Alive Timeout (WMAC_PCU_WOW3_KEEP_ALI VE) ..... 277
8.17.54 MAC PCU Generic Timers Mode 2 (WMAC_PCU_GENERIC_TIMERS 2_MODE) ..... 271	8.17.74 MAC PCU WoW Automatic Keep Alive Disable (WMAC_PCU_WOW_KA) ..... 277
8.17.55 SIFS, Tx Latency and ACK Shift (WMAC_PCU_TXSIFS) ..... 271	8.17.75 WoW Offset 1 (PCU_WOW4) 277
8.17.56 TXOP for Non-QoS Frames (WMAC_PCU_TXOP_X) ..... 272	8.17.76 WoW Offset 2 (PCU_WOW5) 278
8.17.57 TXOP for TID 0 to 3 (WMAC_PCU_TXOP_0_3) ..... 272	8.17.77 Global Mode (WMAC_PCU_20_40_MODE) 278
8.17.58 TXOP for TID 4 to 7 (WMAC_PCU_TXOP_4_7) ..... 272	8.17.78 Difference RX_CLEAR Counter (WMAC_PCU_RX_CLEAR_DIFF_ CNT) ..... 278
8.17.59 TXOP for TID 8 to 11 (WMAC_PCU_TXOP_8_11) .... 272	8.17.79 Control Registers for Block BA Control Fields (WMAC_PCU_BA_BAR_CONTRO L) ..... 279
8.17.60 TXOP for TID 0 to 3 (WMAC_PCU_TXOP_12_15) .. 273	8.17.80 Legacy PLCP Spoof (WMAC_PCU_LEGACY_PLCP_SP OOF) ..... 279
8.17.61 Generic Timers (WMAC_PCU_GENERIC_TIMERS [0:15]) ..... 273	8.17.81 PHY Error Mask and EIFS Mask (WMAC_PCU_PHY_ERROR_MAS K_CONT) ..... 279
8.17.62 Generic Timers Mode (WMAC_PCU_GENERIC_TIMERS _MODE) ..... 273	8.17.82 Tx Timer (WMAC_PCU_TX_TIMER) .... 280
8.17.63 32 KHz Sleep Mode (WMAC_PCU_SLP32_MODE) 274	8.17.83 MAC PCU WoW 6 (WMAC_PCU_WOW6) ..... 280
8.17.64 32 KHz Sleep Wake (WMAC_PCU_SLP32_WAKE) 274	8.17.84 MAC PCU WoW 5 (WMAC_PCU_WOW5) ..... 280
8.17.65 32 KHz Sleep Increment (WMAC_PCU_SLP32_INC) .... 274	8.17.85 Length of Pattern Match for Pattern 0 (WMAC_PCU_WOW_LENGTH1)
8.17.66 Sleep MIB Sleep Count (WMAC_PCU_SLP_MIB1) ..... 275	

280	8.18.11 BAR0 Mask .....	289
8.17.86 Length of Pattern Match for Pattern 1 (WMAC_PCU_WOW_LENGTH2) 281	8.18.12 Bus Number .....	290
8.17.87 Enable Control for Pattern Match Feature of WOW (WOW_PATTERN_MATCH_LESS _THAN_256_BYTES) .....	8.18.13 Secondary Status .....	290
281	8.18.14 Memory Base .....	290
8.17.88 PCU WoW 4 (WMAC_PCU_WOW4) .....	8.18.15 Memory Limit .....	290
281	8.18.16 Prefetchable Memory Base ....	291
8.17.89 Exact Length and Offset Requirement Flag for WoW Patterns (WOW2_EXACT) .....	8.18.17 Prefetchable Memory Limit ..	291
281	8.18.18 Capability Pointer .....	291
8.17.90 WoW Offset 2 (PCU_WOW6)	8.18.19 Interrupt Line .....	291
282	8.18.20 Interrupt Pin .....	292
8.17.91 WoW Offset 3 (PCU_WOW7)	8.18.21 Bridge Control .....	292
282	8.19 Checksum Registers .....	293
8.17.92 Length of Pattern Match for Pattern 0 (WMAC_PCU_WOW_LENGTH3) 282	8.19.1 Checksum Transmit Control (DMATX_CONTROL) .....	293
8.17.93 Length of Pattern Match for Pattern 0 (WMAC_PCU_WOW_LENGTH4) 282	8.19.2 Checksum Transmit Control1 (DMATX_CONTROL1) .....	294
8.17.94 TID Value Access Category (WMAC_PCU_TID_TO_AC) ..	8.19.3 Checksum Transmit Control2 (DMATX_CONTROL2) .....	294
283	8.19.4 Checksum Transmit Control3 (DMATX_CONTROL3) .....	294
8.17.95 High Priority Queue Control (WMAC_PCU_HP_QUEUE) ..	8.19.5 First Tx Descriptor0 Address (DMATX_DESC0) .....	294
283	8.19.6 First Tx Descriptor1 Address (DMATX_DESC1) .....	295
8.17.96 Hardware Beacon Processing 1 (WMAC_PCU_HW_BCN_PROC1) 284	8.19.7 First Tx Descriptor2 Address (DMATX_DESC2) .....	295
8.17.97 Hardware Beacon Processing 2 (WMAC_PCU_HW_BCN_PROC2) 284	8.19.8 First Tx Descriptor3 Address (DMATX_DESC3) .....	295
8.17.98 Key Cache (WMAC_PCU_KEY_CACHE[0:102 3]) .....	8.19.9 DMA Tx Descriptor Status (DMATX_DESC_STATUS) .....	295
285	8.19.10 DMA Tx Arbitration Configuration (DMATX_ARB_CFG) .....	296
8.18 PCIE Configuration Space Registers	8.19.11 Channel 0 and 1 Round-robin Packet Count (RR_PKTCNT01)	296
8.18.1 Vendor ID .....	296	
8.18.2 Device ID .....	8.19.12 Channel 2 and 3 Round-robin Packet Count (RR_PKTCNT01)	296
8.18.3 Command .....	296	
8.18.4 Status .....	8.19.13 Tx Packet Count (TXST_PKTCNT) 296	
8.18.5 Revision ID .....	8.19.14 DMA Rx Transmit Control (DMARX_CONTROL) .....	297
8.18.6 Class Code .....	297	
8.18.7 Class Line Size .....	8.19.15 DMA Rx Descriptor (DMARX_DESC) .....	297
8.18.8 Master Latency Timer .....	297	
8.18.9 Header Type .....	8.19.16 DMA Rx Descriptor Status (DMARX_DESC_STATUS) .....	297
8.18.10 Base Address 0 (BAR0) .....	297	
	8.19.17 Checksum Interrupt (INTR) ..	297
	8.19.18 Checksum IMask (IMASK) ...	298

8.19.19 Checksum Burst Control (ARB_BURST) .....	298	Counter (TR511) .....	319
8.19.20 DMA Reset (RESET_DMA) ...	298	8.21.26 Tx/Rx 512-1023 Byte Frame Counter (TR1K) .....	320
8.19.21 Checksum Configuration (CONFIG) .....	298	8.21.27 Tx/Rx 1024-1518 Byte Frame Counter (TRMAX) .....	320
8.20 UART1 (High-Speed) Registers .....	299	8.21.28 Tx/Rx 1519-1522 Byte VLAN Frame Counter (TRMGV) .....	320
8.20.1 UART1 Transmit and Rx FIFO Interface (UART1_DATA) .....	299	8.21.29 Receive Byte Counter (RXBT)	320
8.20.2 UART1 Configuration and Status (UART1_CS) .....	300	8.21.30 Receive Packet Counter (RPKT) .	321
8.20.3 UART1 Clock (UART1_CLOCK) .	301	8.21.31 Receive FCS Error Counter (RFCS)	321
8.20.4 UART1 Interrupt/Control Status (UART1_INT) .....	301	8.21.32 Receive Multicast Packet Counter (RMCA) .....	321
8.20.5 UART1 Interrupt Enable (UART1_INT_EN) .....	302	8.21.33 Receive Broadcast Packet Counter (RBCA) .....	321
8.21 GMAC0/GMAC1 Registers .....	303	8.21.34 Receive Control Frame Packet Counter (RXCF) .....	322
8.21.1 MAC Configuration 1 .....	308	8.21.35 Receive Pause Frame Packet Counter (RXPF) .....	322
8.21.2 MAC Configuration 2 .....	309	8.21.36 Receive Unknown OPCode Packet Counter (RXUO) .....	322
8.21.3 IPG/IFG .....	309	8.21.37 Receive Alignment Error Counter (RALN) .....	322
8.21.4 Half-Duplex .....	310	8.21.38 Receive Frame Length Error Counter (RFLR) .....	323
8.21.5 Maximum Frame Length .....	310	8.21.39 Receive Code Error Counter (RCDE) .....	323
8.21.6 MII Configuration .....	311	8.21.40 Receive Carrier Sense Error Counter (RCSE) .....	323
8.21.7 MII Command .....	311	8.21.41 Receive Undersize Packet Counter (RUND) .....	323
8.21.8 MII Address .....	312	8.21.42 Receive Oversize Packet Counter (ROVR) .....	324
8.21.9 MII Control .....	312	8.21.43 Receive Fragments Counter (RFRG) .....	324
8.21.10 MII Status .....	312	8.21.44 Receive Jabber Counter (RJBR)	324
8.21.11 MII Indicators .....	312	8.21.45 Receive Dropped Packet Counter (RDRP) .....	324
8.21.12 Interface Control .....	313	8.21.46 Transmit Byte Counter (TXBT)	325
8.21.13 Interface Status .....	314	8.21.47 Transmit Packet Counter (TPKT)	325
8.21.14 STA Address 1 .....	315	8.21.48 Transmit Multicast Packet Counter (TMCA) .....	325
8.21.15 STA Address 2 .....	315	8.21.49 Transmit Broadcast Packet Counter (TBCA) .....	325
8.21.16 ETH_FIFO RAM Configuration 0 316		8.21.50 Transmit Pause Control Frame Counter (TXPF) .....	326
8.21.17 ETH Configuration 1 .....	317		
8.21.18 ETH Configuration 2 .....	317		
8.21.19 ETH Configuration 3 .....	317		
8.21.20 ETH Configuration 4 .....	318		
8.21.21 ETH Configuration 5 .....	318		
8.21.22 Tx/Rx 64 Byte Frame Counter (TR64) .....	319		
8.21.23 Tx/Rx 65-127 Byte Frame Counter (TR127) .....	319		
8.21.24 Tx/Rx 128-255 Byte Frame Counter (TR255) .....	319		
8.21.25 Tx/Rx 256-511 Byte Frame			



8.21.51 Transmit Deferral Packet Counter (TDFR) .....	326	8.21.76 Interrupt Mask (DMAINTRMASK) .....	336
8.21.52 Transmit Excessive Deferral Packet Counter (TEDF) .....	326	8.21.77 Interrupts (DMAINTERRUPT) .....	337
8.21.53 Transmit Single Collision Packet Counter (TSCL) .....	326	8.21.78 Ethernet TX Burst (ETH_ARB_TX_BURST) .....	337
8.21.54 Transmit Multiple Collision Packet Counter (TMCL) .....	327	8.21.79 Current Tx and Rx FIFO Depth (ETH_XFIFO_DEPTH) .....	338
8.21.55 Transmit Late Collision Packet Counter (TLCL) .....	327	8.21.80 Ethernet Transmit FIFO Throughput (ETH_TXFIFO_TH) ..	338
8.21.56 Transmit Excessive Collision Packet Counter (TXCL) .....	327	8.21.81 Ethernet Receive FIFO Threshold (ETH_RXFIFO_TH) .....	338
8.21.57 Transmit Total Collision Counter (TNCL) .....	327	8.21.82 Ethernet Free Timer (ETH_FREE_TIMER) .....	339
8.21.58 Transmit Pause Frames Honored Counter (TPFH) .....	328	8.21.83 DMA Transfer Control for Queue 1 (DMATXCNTRL_Q1) .....	339
8.21.59 Transmit Drop Frame Counter (TDRP) .....	328	8.21.84 Descriptor Address for Queue 1 Tx (DMATXDESCR_Q1) .....	339
8.21.60 Transmit Jabber Frame Counter (TJBR) .....	328	8.21.85 DMA Transfer Control for Queue 2 (DMATXCNTRL_Q2) .....	339
8.21.61 Transmit FCS Error Counter (TFCS) .....	328	8.21.86 Descriptor Address for Queue 2 Tx (DMATXDESCR_Q2) .....	340
8.21.62 Transmit Control Frame Counter (TXCF) .....	329	8.21.87 DMA Transfer Control for Queue 3 (DMATXCNTRL_Q3) .....	340
8.21.63 Transmit Oversize Frame Counter (TOVR) .....	329	8.21.88 Descriptor Address for Queue 3 Tx (DMATXDESCR_Q3) .....	340
8.21.64 Transmit Undersize Frame Counter (TUND) .....	329	8.21.89 DMA Transfer Arbitration Configuration (DMATXARBCFG) ..	340
8.21.65 Transmit Fragment Counter (TFRG) .....	329	8.21.90 Tx Status and Packet Count for Queues 1 to 3 (DMATXSTATUS_123) .....	341
8.21.66 Carry Register 1 (CAR1) .....	330	8.21.91 Local MAC Address Dword0 (LCL_MAC_ADDR_DW0) .....	341
8.21.67 Carry Register 2 (CAR2) .....	331	8.21.92 Local MAC Address Dword1 (LCL_MAC_ADDR_DW1) .....	341
8.21.68 Carry Mask Register 1 (CAM1) ...	332	8.21.93 Next Hop Router MAC Address Dword0 (NXT_HOP_DST_ADDR_DW0) ..	341
8.21.69 Carry Mask Register 2 (CAM2) ...	333	8.21.94 Next Hop Router MAC Destination Address Dword1 (NXT_HOP_DST_ADDR_DW1) ..	342
8.21.70 DMA Transfer Control for Queue 0 (DMATXCNTRL_Q0) .....	333	8.21.95 Local Global IP Address 0 (GLOBAL_IP_ADDR0) .....	342
8.21.71 Descriptor Address for Queue 0 Tx (DMATXDESCR_Q0) .....	334	8.21.96 Local Global IP Address 1 (GLOBAL_IP_ADDR1) .....	342
8.21.72 Transmit Status (DMATXSTATUS) .....	334		
8.21.73 Receive Control (DMARXCTRL) .....	334		
8.21.74 Pointer to Receive Descriptor (DMARXDESCR) .....	335		
8.21.75 Receive Status (DMARXSTATUS) .....	335		

8.21.97 Local Global IP Address 2 (GLOBAL_IP_ADDR2) .....	342	8.21.119 Ingress ACL Counter Group 4 (IG_ACL_COUNTER_GRP4) .	351
8.21.98 Local Global IP Address 3 (GLOBAL_IP_ADDR3) .....	342	8.21.120 Ingress ACL Counter Group 5 (IG_ACL_COUNTER_GRP5) .	351
8.21.99 Egress NAT Control and Status (EG_NAT_CSR) .....	343	8.21.121 Ingress ACL Counter Group 6 (IG_ACL_COUNTER_GRP6) .	351
8.21.100 Egress NAT Counter (EG_NAT_CNTR) .....	343	8.21.122 Ingress ACL Counter Group 7 (IG_ACL_COUNTER_GRP7) .	351
8.21.101 Ingress NAT Control and Status (IG_NAT_CSR) .....	344	8.21.123 Ingress ACL Counter Group 8 (IG_ACL_COUNTER_GRP8) .	352
8.21.102 Ingress NAT Counter (IG_NAT_CNTR) .....	344	8.21.124 Ingress ACL Counter Group 9 (IG_ACL_COUNTER_GRP9) .	352
8.21.103 Egress ACL Control and Status (EG_ACL_CSR) .....	345	8.21.125 Ingress ACL Counter Group 10 (IG_ACL_COUNTER_GRP10) .	352
8.21.104 Ingress ACL Control and Status (IG_ACL_CSR) .....	345	8.21.126 Ingress ACL Counter Group 11 (IG_ACL_COUNTER_GRP11) .	352
8.21.105 Egress ACL CMD0 and Action (EG_ACL_CMD0_AND_ACTION) 345		8.21.127 Ingress ACL Counter Group 12 (IG_ACL_COUNTER_GRP12) .	353
8.21.106 Egress ACL CMD1, CMD2, CMD3 and CMD4 (EG_ACL_CMD1234) .....	346	8.21.128 Ingress ACL Counter Group 13 (IG_ACL_COUNTER_GRP13) .	353
8.21.107 Egress ACL OPERAND 0 (EG_ACL_OPERAND0) .....	346	8.21.129 Ingress ACL Counter Group 14 (IG_ACL_COUNTER_GRP14) .	353
8.21.108 Egress ACL OPERAND 1 (EG_ACL_OPERAND1) .....	346	8.21.130 Ingress ACL Counter Group 15 (IG_ACL_COUNTER_GRP15) .	353
8.21.109 Egress ACL Memory Control (EG_ACL_MEM_CONTROL) .	347	8.21.131 Egress ACL Counter Group 0 (EG_ACL_COUNTER_GRP0) .	354
8.21.110 Ingress ACL CMD0 and Action (IG_ACL_CMD0_AND_ACTION) 348		8.21.132 Egress ACL Counter Group 1 (EG_ACL_COUNTER_GRP1) .	354
8.21.111 Ingress ACL CMD1, CMD2, CMD3 and CMD4 (IG_ACL_CMD1234) .....	348	8.21.133 Egress ACL Counter Group 2 (EG_ACL_COUNTER_GRP2) .	354
8.21.112 Ingress ACL OPERAND 0 (IG_ACL_OPERAND0) .....	348	8.21.134 Egress ACL Counter Group 3 (EG_ACL_COUNTER_GRP3) .	354
8.21.113 Ingress ACL OPERAND 1 (IG_ACL_OPERAND1) .....	349	8.21.135 Egress ACL Counter Group 4 (EG_ACL_COUNTER_GRP4) .	355
8.21.114 Ingress ACL Memory Control (IG_ACL_MEM_CONTROL) ..	349	8.21.136 Egress ACL Counter Group 5 (EG_ACL_COUNTER_GRP5) .	355
8.21.115 Ingress ACL Counter Group 0 (IG_ACL_COUNTER_GRP0) ..	350	8.21.137 Egress ACL Counter Group 6 (EG_ACL_COUNTER_GRP6) .	355
8.21.116 Ingress ACL Counter Group 1 (IG_ACL_COUNTER_GRP1) ..	350	8.21.138 Egress ACL Counter Group 7 (EG_ACL_COUNTER_GRP7) .	355
8.21.117 Ingress ACL Counter Group 2 (IG_ACL_COUNTER_GRP2) ..	350	8.21.139 Egress ACL Counter Group 8 (EG_ACL_COUNTER_GRP8) .	356
8.21.118 Ingress ACL Counter Group 3 (IG_ACL_COUNTER_GRP3) ..	350	8.21.140 Egress ACL Counter Group 9 (EG_ACL_COUNTER_GRP9) .	356
		8.21.141 Egress ACL Counter Group 10 (EG_ACL_COUNTER_GRP10) .	356
		8.21.142 Egress ACL Counter Group 11 (EG_ACL_COUNTER_GRP11) .	356

8.21.143 Egress ACL Counter Group 12 (EG_ACL_COUNTER_GRP12) 357	8.22.21 Frame List Base Address (PERIODICLISTBASE) ..... 373
8.21.144 Egress ACL Counter Group 13 (EG_ACL_COUNTER_GRP13) 357	8.22.22 USB Device Address (DEVICEADDR) ..... 373
8.21.145 Egress ACL Counter Group 14 (EG_ACL_COUNTER_GRP14) 357	8.22.23 Next Asynchronous List Address (ASYNCLISTADDR) ..... 373
8.21.146 Egress ACL Counter Group 15 (EG_ACL_COUNTER_GRP15) 357	8.22.24 Address at Endpointlist in Memory (ENEDPOINTLIST_ADDR) .... 374
8.21.147 Clear ACL Counters (CLEAR_ACL_COUNTERS) .. 358	8.22.25 TT Status and Control (TTCTRL) 374
8.22 USB Controller Registers ..... 358	8.22.26 Programmable Burst Size (BURSTSIZE) ..... 374
8.22.1 Identification (ID) ..... 360	8.22.27 Host Tx Pre-Buffer Packet Tuning (TXFILLTUNING) ..... 375
8.22.2 General Hardware Parameters (HWGENERAL) ..... 360	8.22.28 Endpoint NAK (ENDPTNAK) 376
8.22.3 Host Hardware Parameters (HWHOST) ..... 360	8.22.29 Endpoint NAK Enable (ENDPTNAKEN) ..... 376
8.22.4 Device Hardware Parameters (HWDEVICE) ..... 361	8.22.30 Port/Status Control (PORTSC0) 377
8.22.5 Tx Buffer Hardware Parameters (HWTXBUF) ..... 361	8.22.31 USB Mode (USBMODE) ..... 382
8.22.6 Rx Buffer Hardware Parameters (HWRXBUF) ..... 361	8.22.32 Endpoint Setup Status (ENDPTSETUPSTAT) ..... 383
8.22.7 General Purpose Timer 0 Load (GPTIMER0LD) ..... 361	8.22.33 Endpoint Initialization (ENDPTPRIME) ..... 383
8.22.8 General Purpose Timer 0 Control (GPTIMER0CTRL) ..... 362	8.22.34 Endpoint De-Initialization (ENDPTFLUSH) ..... 384
8.22.9 General Purpose Timer 1 Load (GPTIMER1LD) ..... 362	8.22.35 Endpoint Status (ENDPTSTATUS) ..... 384
8.22.10 General Purpose Timer 1 Control (GPTIMER1CTRL) ..... 363	8.22.36 Endpoint Complete (ENDPTCOMPLETE) ..... 385
8.22.11 Capability Register Length (CAPLENGTH) ..... 363	8.22.37 Endpoint Control 0 (ENDPTCTRL0) ..... 385
8.22.12 Host Interface Version Number (HCVERSION) ..... 364	8.22.38 Endpoint Control 1 (ENDPTCTRL1) ..... 386
8.22.13 Host Control Structural Parameters (HCSPARAMS) .... 364	8.23 NAND Flash Registers ..... 387
8.22.14 Host Control Capability Parameters (HCCPARAMS) ... 365	8.23.1 Controller Commands (COMMAND) ..... 388
8.22.15 Device Interface Version Number (DCVERSION) ..... 365	8.23.2 Main Configuration (CONTROL) 389
8.22.16 Device Control Capability Parameters (DCCPARAMS) ... 365	8.23.3 Controller Status (STATUS) .... 391
8.22.17 USB Command (USBCMD) ... 366	8.23.4 Interrupt Mask (INT_MASK) . 392
8.22.18 USB Status (USBSTS) ..... 368	8.23.5 Interrupt Status (INT_STATUS) 392
8.22.19 USB Interrupt Enable (USBINTR) 370	8.23.6 Configuration Parameters for the ECC Module (ECC_CTRL) ..... 393
8.22.20 USB Frame Index (FRINDEX) 372	8.23.7 ECC Offset Value (ECC_OFFSET) 393

8.23.8 Most Significant Part of the Address Register 0/1 (ADDR0_0, ADDR0_1, ADDR1_0, ADDR1_1) .....	394	(RX_BURST_SIZE) .....	403
8.23.9 NAND Flash Spare Area Size (SPARE_SIZE) .....	395	8.24.4 Packet Offset (PKT_OFFSET) .	404
8.23.10 Hardware Protect Against the Write/Erase Process Control (PROTECT) .....	395	8.24.5 Checksum (CHECKSUM) .....	404
8.23.11 Enables Look-Up Register During NAND Flash Memory Address (LOOKUP_EN) .....	396	8.24.6 Rx Data Swap (RX_DATA_SWAP) 404	
8.23.12 Lookup Table [7:0] (LOOKUP[7:0]) .....	396	8.24.7 Tx Descriptor Start Address (TX_DESC_START_ADDRESS) 405	
8.23.13 DMA Module Base Address (DMA_ADDR) .....	397	8.24.8 Tx DMA Start (TX_DMA_START) 405	
8.23.14 DMA Module Counters Initial Value (DMA_CNT) .....	397	8.24.9 Interrupt Limit (INTERRUPT_LIMIT) .....	405
8.23.15 DMA Module Control (DMA_CTRL) .....	397	8.24.10 Tx AHB Burst Size (TX_BURST_SIZE) .....	406
8.23.16 Memory Device Control (MEM_CTRL) .....	398	8.24.11 Tx Data Swap (TX_DATA_SWAP) 406	
8.23.17 Custom Page Size Value (DATA_SIZE) .....	398	8.24.12 Interrupt Status (HOST_DMA_INTERRUPT) ..	407
8.23.18 Read Status Command Output Value (READ_STATUS) .....	398	8.24.13 Interrupt Mask (HOST_DMA_INTERRUPT_MASK) .....	408
8.23.19 Command Sequence Timings Configuration (TIME_SEQ) .....	399	8.24.14 Arbitration Priority (PRIORITY) 408	
8.23.20 Timing Configuration 0 (TIMING_ASYN) .....	399	8.25 Serial Flash SPI Controller Registers 409	
8.23.21 Timing Configuration 1 (TIMING_SYN) .....	399	8.25.1 SPI Controller GPIO Mode Select (FUNCTION_SELECT_ADDR) 409	
8.23.22 FIFO Module Interface (FIFO_DATA) .....	400	8.25.2 SPI Address Control (SPI_CONTROL_ADDR) .....	409
8.23.23 DQS Signal Delay Effect (TIME_MODE) .....	400	8.25.3 SPI I/O Address Control (SPI_IO_CONTROL_ADDR) ..	410
8.23.24 DMA Module Address Offset (DMA_ADDR_OFFSET) .....	400	8.25.4 SPI Read Data Address (SPI_READ_DATA_ADDR) ...	410
8.23.25 Control for the FIFO Module (FIFO_INIT) .....	401	8.25.5 SPI Data to Shift Out (SPI_SHIFT_DATAOUT_ADDR) 410	
8.23.26 Configuration for the Two Generic Sequences (GENERIC_SEQ_CTRL) 401		8.25.6 SPI Content to Shift Out or In (SPI_SHIFT_CNT_ADDR) .....	411
8.24 PCIE EP DMA Registers .....	402	8.25.7 SPI Data to Shift In (SPI_SHIFT_DATAIN_ADDR) 411	
8.24.1 Rx Descriptor Start Address (RX_DESC_START_ADDRESS) 403		8.26 Global Control Registers .....	412
8.24.2 Rx DMA Start (RX_DMA_START) 403		8.26.1 Mask Control .....	413
8.24.3 Rx AHB Burst Size		8.26.2 Operational Mode 0 .....	413
		8.26.3 Operational Mode 1 .....	413
		8.26.4 Global Interrupt .....	414
		8.26.5 Global Interrupt Mask .....	415
		8.26.6 Global MAC Address .....	415
		8.26.7 Loop Check Result .....	416
		8.26.8 Flood Mask .....	416

8.26.9 Global Control .....	417	8.28.13 Virtual Cable Tester Control .	449
8.26.10 Flow Control 0 .....	418	8.28.14 Virtual Cable Tester Status ....	449
8.26.11 Flow Control 1 .....	418	8.28.15 Debug Port (Address Offset)	450
8.26.12 QM Control .....	419	8.28.16 Debug Port 2 (RW Port) .....	450
8.26.13 VLAN Table Function 0 .....	420	8.28.17 Debug Register: Analog Test Control .....	450
8.26.14 VLAN Table Function 1 .....	420	8.28.18 Debug Register: System Mode Control .....	451
8.26.15 Address Table Function 0 .....	421	8.28.19 Debug Register: RGMII Mode Selection .....	451
8.26.16 Address Table Function 1 .....	421	<b>9 Electrical Characteristics .....</b>	<b>453</b>
8.26.17 Address Table Function 2 .....	422	9.1 Absolute Maximum Ratings .....	453
8.26.18 Address Table Control .....	423	9.2 Recommended Operating Conditions	453
8.26.19 IP Priority Mapping 2 .....	424	9.3 General DC Electrical Characteristics	454
8.26.20 Tag Priority Mapping .....	426	9.4 25 MHz/40 MHz Clock Characteristics .	456
8.26.21 Service Tag .....	426	9.5 Internal Voltage Regulators .....	457
8.26.22 CPU Port .....	426	<b>10 AC Specifications .....</b>	<b>459</b>
8.26.23 MIB Function 0 .....	427	10.1 DDR Interface Timing .....	459
8.26.24 MDIO Control .....	427	10.2 DDR Input Timing .....	459
8.26.25 LED Control .....	428	10.3 RGMII Output Timing .....	460
8.27 Port Control Registers 0x0100–0x0124	429	10.4 RGMII Input Timing .....	460
8.27.1 Port Status .....	430	10.5 MII Mode Timing .....	461
8.27.2 Port Control .....	431	10.6 SPI Timing .....	461
8.27.3 Port-Based VLAN .....	433	10.7 Reset Timing .....	462
8.27.4 Port-Based VLAN 2 .....	434	<b>11 Package Dimensions .....</b>	<b>463</b>
8.27.5 Rate Limit .....	435	<b>12 Ordering Information .....</b>	<b>465</b>
8.27.6 Priority Control .....	436		
8.27.7 Storm Control .....	436		
8.27.8 Queue Control .....	437		
8.27.9 Rate Limit 1 .....	438		
8.27.10 Rate Limit 2 .....	438		
8.27.11 Rate Limit 3 .....	439		
8.27.12 Robin .....	439		
8.28 PHY Control Registers .....	440		
8.28.1 Control .....	441		
8.28.2 Status .....	442		
8.28.3 PHY Identifier .....	442		
8.28.4 PHY Identifier 2 .....	442		
8.28.5 Auto-Negotiation Advertisement	443		
8.28.6 Link Partner Ability .....	444		
8.28.7 Auto-negotiation Expansion ...	445		
8.28.8 Function Control .....	445		
8.28.9 PHY Specific Status .....	446		
8.28.10 Interrupt Enable .....	447		
8.28.11 Interrupt Status .....	448		
8.28.12 Receive Error Counter .....	449		



## 1. Pin Descriptions

This section contains both a package pinout and tabular listings of the signal descriptions.

The following nomenclature is used for signal names:

NC	No connection should be made to this pin
_L	At the end of the signal name, indicates active low signals
P	At the end of the signal name, indicates the positive side of a differential signal
N	At the end of the signal name indicates the negative side of a differential signal

The following nomenclature is used for signal types:

IA	Analog input signal
I	Digital input signal
IH	Input signals with weak internal pull-up, to prevent signals from floating when left open
IL	Input signals with weak internal pull-down, to prevent signals from floating when left open
I/O	A digital bidirectional signal
OA	An analog output signal
OD	An open drain digital output signal
O	A digital output signal
P	A power or ground signal

Table 1-1 shows the top left of the AR9344 pinout.

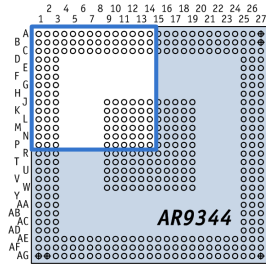


Table 1-1. AR9344 Pinout (Top Left)

	1	2	3	4	5	6	7	8	9	10	11	12	13	14
<b>A</b>	DDR_DATA_13	DDR_DATA_8	DDR_DQM_0	DDR_DATA_6	DDR_DATA_5	DDR_DATA_2	DDR_DATA_1	DDR_DATA_0	NAND_WE_L	NAND_CLE	NAND_D_ATA_IO_6	NAND_D_ATA_IO_3	NAND_D_ATA_IO_2	NAND_D_ATA_IO_0
<b>B</b>	DDR_DATA_15	DDR_DATA_12	DDR_DATA_14	DDR_DQS_0	DDR_DATA_7	DDR_DATA_4	DDR_DATA_3	VDD25	NAND_CS_0	NAND_RE_L	NAND_WP_L	NAND_D_ATA_IO_5	NAND_D_ATA_IO_1	GND
<b>C</b>	DDR_DATA_11	GND	DDR_DATA_23	VDD_DDR	GND	VDD_DDR	GND	VDD12	GND	NAND_RB_L_0	NAND_ALE	NAND_D_ATA_IO_7	NAND_D_ATA_IO_4	VDD25
<b>D</b>	DDR_DATA_9	DDR_DATA_10	DDR_DATA_22											
<b>E</b>	DDR_DQS_1	DDR_DATA_17	DDR_DATA_21											
<b>F</b>	DDR_VREF	VDD_DDR	DDR_DATA_20											
<b>G</b>	DDR_DQM_1	GND	GND											
<b>H</b>	DDR_CK_N	VDD12	DDR_DATA_19											
<b>J</b>	DDR_CK_P	DDR_CKE_L	GND						GND	GND	GND	GND	GND	GND
<b>K</b>	DDR_A_3	VDD_DDR	DDR_DATA_18						GND	GND	GND	GND	GND	GND
<b>L</b>	DDR_A_11	DDR_A_12	GND						GND	GND	GND	GND	GND	GND
<b>M</b>	DDR_A_8	DDR_A_9	DDR_DATA_16						GND	GND	GND	GND	GND	GND
<b>N</b>	GND	DDR_A_7	DDR_DQS_2						GND	GND	GND	GND	GND	GND
<b>P</b>	DDR_A_6	DDR_DQM_2	VDD_DDR						GND	GND	GND	GND	GND	GND



Table 1-2 shows the bottom left of the AR9344 pinout.

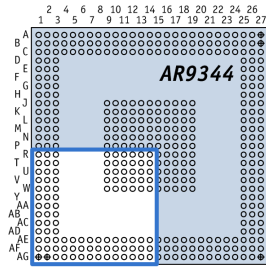


Table 1-2. AR9344 Pinout (Bottom Left)

	1	2	3	4	5	6	7	8	9	10	11	12	13	14
<b>R</b>	DDR_A_4	DDR_A_5	DDR_DATA_31						GND	GND	GND	GND	GND	GND
<b>T</b>	DDR_WE_L	VDD12	DDR_DATA_30						GND	GND	GND	GND	GND	GND
<b>U</b>	DDR_CAS_L	GND	DDR_DATA_29						GND	GND	GND	GND	GND	GND
<b>V</b>	DDR_RAS_L	VDD_DDR	DDR_DATA_28						GND	GND	GND	GND	GND	GND
<b>W</b>	DDR_CS_L	GND	DDR_DATA_27						GND	GND	GND	GND	GND	GND
<b>Y</b>	DDR_BA_0	DDR_DATA_24	DDR_DATA_26											
<b>AA</b>	DDR_BA_1	DDR_A_10	DDR_DATA_25											
<b>AB</b>	DDR_A_0	VDD_DDR	DDR_DQS_3											
<b>AC</b>	DDR_A_1	DDR_DQM_3	GND											
<b>AD</b>	DDR_A_2	CTRL_DDR_XPNP	VDD33											
<b>AE</b>	RESET_L	GND	GND	GPIO_0	GPIO_2	VDD25	GND	VDD12	GND	EMDC	EMDIO	VDD12	GND	GND
<b>AF</b>	GND	AVDD12_SWREG_OUT	AVDD12_SWREG_OUT	GPIO_1	GPIO_3	ETXD3	ETXD1	ETX_CLK	ERXD3	ERXD1	ERX_CLK	PCIE_RST_IN_L	PCIE_EP_REFCLK_P	PCIE_EP_RX_N
<b>AG</b>	AVDD33_SWREG	AVDD33_SWREG	AVDD12_SWREG_FB	GND	GPIO_4	ETXD2	ETXD0	ETX_EN	ERXD2	ERXD0	ERX_EN	PCIE_EP_REFCLK_N	PCIE_EP_TX_N	PCIE_EP_TX_P

Table 1-3 shows the top right of the AR9344 pinout.

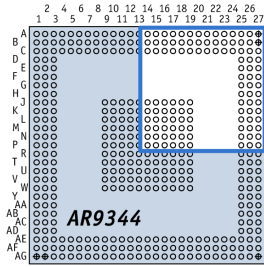


Table 1-3. AR9344 Pinout (Top Right)

	15	16	17	18	19	20	21	22	23	24	25	26	27
<b>A</b>	GPIO_22	GPIO_20	GND	BIASREF	RFIN2GP_0	RFIN2GN_0	RFIN5GN_0	RFIN5GP_0	RFOUT_2GN_0	RFOUT_2GP_0	RFOUT_5GN_0	RFOUT5GP_0	RFIN_2GP_1
<b>B</b>	GPIO_21	GPIO_18	GND	AVDD12	GND	GND	AVDD12	XPABIAS2_0	XPABIAS2_1	ANTC	AVDD33	GND	RFIN_2GN_1
<b>C</b>	GPIO_19	GND	GND	AVDD12	AVDD12	AVDD33	XPABIAS5_0	XPABIAS5_1	ANTD	ANTB	GND	AVDD12	RFIN_5GN_1
<b>D</b>											ANTA	GND	RFIN_5GP_1
<b>E</b>											GND	GND	RFOUT_2GN_1
<b>F</b>											AVDD12	GND	RFOUT_2GP_1
<b>G</b>											AVDD12	AVDD33	RFOUT_5GN_1
<b>H</b>											AVDD33	GND	RFOUT_5GP_1
<b>J</b>	GND	GND	GND	GND	GND						GND	GND	GND
<b>K</b>	GND	GND	GND	GND	GND						AVDD33	XTALI	XTALO
<b>L</b>	GND	GND	GND	GND	GND						VDD25	SYS_RST_OUT_L	GND
<b>M</b>	GND	GND	GND	GND	GND						GPIO_17	GPIO_16	GPIO_15
<b>N</b>	GND	GND	GND	GND	GND						GPIO_14	GPIO_13	GPIO_12
<b>P</b>	GND	GND	GND	GND	GND						GND	VDD12	GND

Table 1-4 shows the bottom right of the AR9344 pinout.

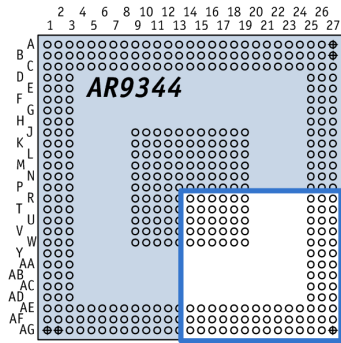


Table 1-4. AR9344 Pinout (Bottom Right)

	15	16	17	18	19	20	21	22	23	24	25	26	27
<b>R</b>	GND	GND	GND	GND	GND						VDD12	GPIO_11	GPIO_10
<b>T</b>	GND	GND	GND	GND	GND						GPIO_9	GPIO_8	GPIO_7
<b>U</b>	GND	GND	GND	GND	GND						VDD25	GPIO_5	GPIO_6
<b>V</b>	GND	GND	GND	GND	GND						GND	AVDD12	GND
<b>W</b>	GND	GND	GND	GND	GND						CTRL0	AVDD33	USB_DM
<b>Y</b>											AVDD33	VDD25_OUT	USB_DP
<b>AA</b>											AVDD20_OUT	AVDD12_ETH	GND
<b>AB</b>											AVDD12_ETH	GND	RBIAS
<b>AC</b>											VDD25	GND	GND
<b>AD</b>											VDD25	AVDD12_ETH	TXN0
<b>AE</b>	AVDD12_PCIE	GND	AVDD12_PCIE	GND	AVDD12_ETH	GND	AVDD12_ETH	VDD25	GND	VDD25	GND	GND	TXP0
<b>AF</b>	PCIE_RST_OUT_L	PCIE_TX_N	PCIE_RX_N	PCIE_CLK_OUT_N	RXP4	TXP4	TXP3	RXP3	RXP2	TXN2	TXN1	RXP1	RXN0
<b>AG</b>	PCIE_EP_RX_P	PCIE_TX_P	PCIE_RX_P	PCIE_CLK_OUT_P	RXN4	TXN4	TXN3	RXN3	RXN2	TXP2	TXP1	RXN1	RXP0

Table 1-5 provides the signal-to-pin relationship information for the AR9344.

Table 1-5. Signal to Pin Relationships and Descriptions

Signal Name	Pin	Type	Description
<b>General</b>			
RESET_L	AE1	IH	External power on reset with weak pull up
SYS_RST_OUT_L	L26	OD	System reset out, open drain, pull up is required
XTALI	K26	I	40 MHz or 25 MHz crystal
XTALO	K27	I/O	When using an external clock, the XTALI pin is grounded and the XTALO pin should be driven with a square wave clock. AC coupling is recommended for the clock signal to the XTALO pin. The internal circuit provides the DC bias of approximately 0.6 V. The peak to peak swing of the external clock can be between 0.6 V to 1.2 V. Larger swing and sharper edge will reduce jitter.
<b>Radio</b>			
RFIN2GN_0	A20	IA	Differential RF inputs for 2.4 GHz chain 0; Use one side for single-ended input
RFIN2GP_0	A19	IA	
RFIN5GN_0	A21	IA	Differential RF inputs for 5 GHz chain 0; Use one side for single-ended input
RFIN5GP_0	A22	IA	
RFOUT2GN_0	A23	OA	Differential RF outputs for 2.4 GHz chain 0
RFOUT2GP_0	A24	OA	
RFOUT5GN_0	A25	OA	Differential RF outputs for 5 GHz chain 0
RFOUT5GP_0	A26	OA	
RFIN2GN_1	B27	IA	Differential RF inputs for 2.4 GHz chain 1; Use one side for single-ended input
RFIN2GP_1	A27	IA	
RFIN5GN_1	C27	IA	Differential RF inputs for 5 GHz chain 1; Use one side for single-ended input
RFIN5GP_1	D27	IA	
RFOUT2GN_1	E27	OA	Differential RF outputs for 2.4 GHz chain 1
RFOUT2GP_1	F27	OA	
RFOUT5GN_1	G27	OA	Differential RF outputs for 5 GHz chain 1
RFOUT5GP_1	H27	OA	
<b>PCI Express Root Complex</b>			
PCIE_CLKOUT_N	AF18	OA	Differential reference clock (100 MHz), can be left open if not used
PCIE_CLKOUT_P	AG18	OA	
PCIE_RST_OUT_L	AF15	OD	PCI Express reset, open drain, can be left open if not used
PCIE_RX_N	AF17	IA	Differential receive, can be left open if not used
PCIE_RX_P	AG17	IA	
PCIE_TX_N	AF16	OA	Differential transmit, can be left open if not used
PCIE_TX_P	AG16	OA	

Table 1-5. Signal to Pin Relationships and Descriptions (continued)

Signal Name	Pin	Type	Description
<b>PCI Express End Point</b>			
PCIE_EP_RX_N	AF14	IA	Differential receive, can be left open if not used
PCIE_EP_RX_P	AG15	IA	
PCIE_EP_TX_N	AG13	OA	Differential transmit, can be left open if not used
PCIE_EP_TX_P	AG14	OA	
PCIE_EP_REFCLK_N	AG12	IA	Differential reference clock, can be left open if not used
PCIE_EP_REFCLK_P	AF13	IA	
PCIE_RST_IN_L	AF12	I	PCI Express reset, can be grounded if not used
<b>Analog Interface</b>			
BIASREF	A18	IA	BIASREF voltage is 310 mV; must connect a 6.19 K $\Omega$ $\pm$ 1% resistor to ground
RBIAS	AB27	IA	BIAS for Ethernet
XPABIAS2_0	B22	OA	Bias for optional external power amplifier
XPABIAS2_1	B23	OA	
XPABIAS5_0	C21	OA	
XPABIAS5_1	C22	OA	
<b>External Switch Control</b>			
ANTA	D25	O	External RF switch control
ANTB	C24	O	
ANTC	B24	O	
ANTD	C23	O	
<b>Ethernet Switch</b>			
RXN0	AF27	IA	Ethernet port 0 receive pair, can be grounded if not used
RXP0	AG27	IA	
RXN1	AG26	IA	Ethernet port 1 receive pair, can be grounded if not used
RXP1	AF26	IA	
RXN2	AG23	IA	Ethernet port 2 receive pair, can be grounded if not used
RXP2	AF23	IA	
RXN3	AG22	IA	Ethernet port 3 receive pair, can be grounded if not used
RXP3	AF22	IA	
RXN4	AG19	IA	Ethernet port 4 receive pair, can be grounded if not used
RXP4	AF19	IA	
TXN0	AD27	OA	Ethernet port 0 transmit pair, can be left open if not used
TXP0	AE27	OA	
TXN1	AF25	OA	Ethernet port 1 transmit pair, can be left open if not used
TXP1	AG25	OA	
TXN2	AF24	OA	Ethernet port 2 transmit pair, can be left open if not used
TXP2	AG24	OA	
TXN3	AG21	OA	Ethernet port 3 transmit pair, can be left open if not used
TXP3	AF21	OA	
TXN4	AG20	OA	Ethernet port 4 transmit pair, can be left open if not used
TXP4	AF20	OA	

Table 1-5. Signal to Pin Relationships and Descriptions (continued)

Signal Name	Pin	Type	Description
<b>External Memory Interface</b>			
DDR_A_0	AB1	O	13-bit external memory address bus
DDR_A_1	AC1	O	
DDR_A_2	AD1	O	
DDR_A_3	K1	O	
DDR_A_4	R1	O	
DDR_A_5	R2	O	
DDR_A_6	P1	O	
DDR_A_7	N2	O	
DDR_A_8	M1	O	
DDR_A_9	M2	O	
DDR_A_10	AA2	O	
DDR_A_11	L1	O	
DDR_A_12	L2	O	
DDR_BA_0	Y1	O	2-bit bank address to indicate which bank the chip is accessing
DDR_BA_1	AA1	O	
DDR_CKE_L	J2	O	Deactivates the external memory clock when the signal is high
DDR_CK_N	H1	O	DDR_CK_P and DDR_CK_N are differential clock outputs from the AR9344. All address and control signals timing are related to the crossing of the positive edge of DDR_CK_P and the negative edge of DDR_CK_N.
DDR_CK_P	J1	O	
DDR_CS_L	W1	O	External memory chip select signal, active low
DDR_CAS_L	U1	O	When this signal is asserted, it indicates the address is a column address. Active when the signal is low.
DDR_RAS_L	V1	O	When this signal is asserted, it indicates the address is a row address. Active when the signal is low.
DDR_DQM_0	A3	O	DDR data mask for data byte 0, 1, 2 and 3
DDR_DQM_1	G1	O	
DDR_DQM_2	P2	O	
DDR_DQM_3	AC2	O	
DDR_DQS_0	B4	I/O	DDR data strobe for data byte 0, 1, 2 and 3
DDR_DQS_1	E1	I/O	
DDR_DQS_2	N3	I/O	
DDR_DQS_3	AB3	I/O	
DDR_VREF	F1	I	DDR reference level for SSTL signals
DDR_WE_L	T1	O	When this signal is asserted, it indicates that the following transaction is write. Active when the signal is low.

**Table 1-5. Signal to Pin Relationships and Descriptions (continued)**

Signal Name	Pin	Type	Description
DDR_DATA_0	A8	I/O	32-bit external memory data bus
DDR_DATA_1	A7	I/O	
DDR_DATA_2	A6	I/O	
DDR_DATA_3	B7	I/O	
DDR_DATA_4	B6	I/O	
DDR_DATA_5	A5	I/O	
DDR_DATA_6	A4	I/O	
DDR_DATA_7	B5	I/O	
DDR_DATA_8	A2	I/O	
DDR_DATA_9	D1	I/O	
DDR_DATA_10	D2	I/O	
DDR_DATA_11	C1	I/O	
DDR_DATA_12	B2	I/O	
DDR_DATA_13	A1	I/O	
DDR_DATA_14	B3	I/O	
DDR_DATA_15	B1	I/O	
DDR_DATA_16	M3	I/O	
DDR_DATA_17	E2	I/O	
DDR_DATA_18	K3	I/O	
DDR_DATA_19	H3	I/O	
DDR_DATA_20	F3	I/O	
DDR_DATA_21	E3	I/O	
DDR_DATA_22	D3	I/O	
DDR_DATA_23	C3	I/O	
DDR_DATA_24	Y2	I/O	
DDR_DATA_25	AA3	I/O	
DDR_DATA_26	Y3	I/O	
DDR_DATA_27	W3	I/O	
DDR_DATA_28	V3	I/O	
DDR_DATA_29	U3	I/O	
DDR_DATA_30	T3	I/O	
DDR_DATA_31	R3	I/O	

Table 1-5. Signal to Pin Relationships and Descriptions (continued)

Signal Name	Pin	Type	Description
<b>GPIO</b>			
GPIO0	AE4	I/O	General purpose I/O, programmable, can to be used as JTAG, SPI, I <sup>2</sup> S, SLIC, UARTs, LED control. See section “GPIO” on page 52 for more information. See Table 2-11, “Default GPIO Signals,” on page 52 for the default configuration of the GPIO pins. Default input pins can be grounded, and default output pins can be left open if not used.
GPIO1	AF4	I/O	
GPIO2	AE5	I/O	
GPIO3	AF5	I/O	
GPIO4	AG5	I/O	
GPIO5	U26	I/O	
GPIO6	U27	I/O	
GPIO7	T27	I/O	
GPIO8	T26	I/O	
GPIO9	T25	I/O	
GPIO10	R27	I/O	
GPIO11	R26	I/OD	
GPIO12	N27	I/O	
GPIO13	N26	I/O	
GPIO14	N25	I/O	
GPIO15	M27	I/O	
GPIO16	M26	I/OD	
GPIO17	M25	I/OD	
GPIO18	B16	I/O	
GPIO19	C15	I/O	
GPIO20	A16	I/O	
GPIO21	B15	I/O	
GPIO22	A15	I/O	
<b>NAND Flash</b>			
NAND_ALE	C11	O	Address latch enable, indicates the type of bus cycle. Unused NAND Flash pins can be left open.
NAND_CLE	A10	O	Command latch enable
NAND_CS_0	B9	O	Chip select
NAND_DATA_IO_0	A14	I/O	I/O port for transferring address, command, and data to and from the device
NAND_DATA_IO_1	B13	I/O	
NAND_DATA_IO_2	A13	I/O	
NAND_DATA_IO_3	A12	I/O	
NAND_DATA_IO_4	C13	I/O	
NAND_DATA_IO_5	B12	I/O	
NAND_DATA_IO_6	A11	I/O	
NAND_DATA_IO_7	C12	I/O	
NAND_RB_L	C10	I	Ready/busy, indicates the target status
NAND_RE_L	B10	O	Read enable
NAND_WE_L	A9	O	Write enable
NAND_WP_L	B11	O	Write protect



Table 1-5. Signal to Pin Relationships and Descriptions (continued)

Signal Name	Pin	Type	Description
<b>USB</b>			
USB_DM	W27	IA/OA	USB D- signal; carries USB data to and from the USB 2.0 PHY
USB_DP	Y27	IA/OA	USB D+ signal; carries USB data to and from the USB 2.0 PHY
<b>RGMI Interface</b>			
EMDC	AE10	OD	Management control interface clock
EMDIO	AE11	I/OD	Management control interface data
ERX_CLK	AF11	I	Receive clock, can be grounded if not used
ERXD0	AG10	I	Receive data, can be grounded if not used
ERXD1	AF10	I	
ERXD2	AG9	I	
ERXD3	AF9	I	
ERX_EN	AG11	I	Receive enable, can be grounded if not used
ETX_CLK	AF8	O	Transmit clock, can be left open if not used
ETXD0	AG7	O	Transmit data, can be left open if not used
ETXD1	AF7	O	
ETXD2	AG6	O	
ETXD3	AF6	O	
ETX_EN	AG8	O	Transmit enable, can be left open if not used
<b>Regulator Control</b>			
CTRL_DDR_XPNP	AD2	OA	External PNP Control. Connect to the base of an external PNP: collector to VDD_DDR and emitter to VDD33.
CTRL0	W25	OA	External PNP control. Connect to the base of an external PNP: collector to AVDD20_OUT and emitter to VDD33.
<b>Internal Switching Regulator</b>			
AVDD12_SWREG_OUT	AF2, AF3	P	1.2 V switching regulator output; see <a href="#">Figure 9-1, "Output Voltages Regulated by the AR9344,"</a> on page 471
AVDD33_SWREG	AG1, AG2	P	3.3 V input to the internal switching regulator
AVDD12_SWREG_FB	AG3	I	Feedback to the internal switching regulator

Symbol	Pin	Description
<b>Power</b>		
AVDD12	B18, B21, C18, C19, C26, F25, G25, V26	Analog 1.2 V supply
VDD12	C8, H2, P26, R25, T2, AE8, AE12	Digital 1.2 V supply
AVDD12_ETH	AA26, AB25, AD26, AE19, AE21	Analog 1.2 V supply Ethernet
AVDD12_PCIE	AE15, AE17	Analog 1.2 V supply PCIE
AVDD20_OUT	AA25	Analog 2.0 V supply output from the AR9344
AVDD33	B25, C20, G26, H25, K25, W26, Y25	Analog 3.3 V supply
VDD_DDR	C4, C6, F2, K2, P3, V2, AB2	Digital DDR1/DDR2 supply, 1.8 V or 2.6 V
VDD25	B8, C14, L25, U25, AC25, AD25, AE6, AE22, AE24	Digital 2.5 V supply
VDD25_OUT	Y26	Digital 2.5 V supply output from the AR9344
VDD33	AD3	Digital 3.3 V supply
GND	A17, B14, B17, B19, B20, B26, C2, C5, C7, C9, C16, C17, C25, D26, E25, E26, F26, G2, G3, H26, J3, J9, J10, J11, J12, J13, J14, J15, J16, J17, J18, J19, J25, J26, J27, K9, K10, K11, K12, K13, K14, K15, K16, K17, K18, K19, L3, L9, L10, L11, L12, L13, L14, L15, L16, L17, L18, L19, L27, M9, M10, M11, M12, M13, M14, M15, M16, M17, M18, M19, N1, N9, N10, N11, N12, N13, N14, N15, N16, N17, N18, N19, P9, P10, P11, P12, P13, P14, P15, P16, P17, P18, P19, P25, P27, R9, R10, R11, R12, R13, R14, R15, R16, R17, R18, R19, T9, T10, T11, T12, T13, T14, T15, T16, T17, T18, T19, U2, U9, U10, U11, U12, U13, U14, U15, U16, U17, U18, U19, V9, V10, V11, V12, V13, V14, V15, V16, V17, V18, V19, V25, V27, W2, W9, W10, W11, W12, W13, W14, W15, W16, W17, W18, W19, AA27, AB26, AC3, AC26, AC27, AE2, AE3, AE7, AE9, AE13, AE14, AE16, AE18, AE20, AE23, AE25, AE26, AF1, AG4	Ground

## 2. Functional Description

### 2.1 Functional Block Diagram

Figure 2-1 illustrates the AR9344 functional block diagram.

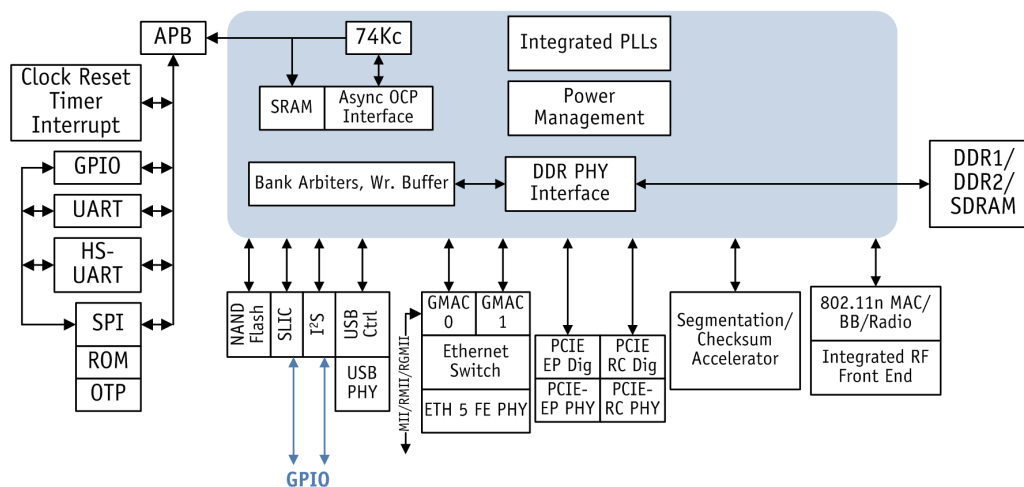


Figure 2-1. AR9344 Functional Block Diagram

The AR9344 is comprised of several internal functional blocks, as summarized in Table 2-1.

Table 2-1. Functional Blocks

Block	Description
CPU	The 74Kc MIPS processor with 64 KByte I-Cache and 32 KByte D-Cache can run up to 533 MHz. It can boot either from internal ROM or an external SPI-based Flash device.
Clocking	The AR9344 can support 25 MHz or 40 MHz reference clock input. The dynamic clock switching module is capable of quickly changing the clock (to any of its even divide values) to memory/CPU separately. The AR9344 contains five internal PLLs: CPU, DDR, audio, BB, and Ethernet. The PLLs generate various internal clocks. Accuracy of the audio PLL can support up to a 200-ppb frequency change. Dithering is supported for CPU_CLK and DDR_CLK separately to reduce EMI interference.
DDR Memory Controller	The AR9344 allows an external memory interface that can support 16-bit SDRAM, 16- or 32-bit DDR1, or DDR2. The memory controller can enter DDR/SDRAM self refresh for low power modes.
PCI Express Endpoint Interface	The PCI Express endpoint interface is compatible with the PCI Express 1.1 standard. It functions as the client interface for the AR9344, providing data and command transfer between the host and software and the MAC. Supports L1/L2 low power states.
PCI Express Root Complex Interface	The PCI Express root complex interface is compatible with the PCI Express 1.1 standard. The root complex interface can be used for connecting another Atheros single-chip MAC/BB/radio for dual concurrent wireless access point, router, or gateway applications. Supports L1/L2 low power states.

Table 2-1. Functional Blocks

Block	Description	
USB	Supports USB 2.0 Host/Device interface, configured using a bootstrap option. In USB host mode, the AR9344 can support the full number of devices/endpoints allowed in the USB 2.0 specification. It can also interface to the USB hub. In USB device mode, the AR9344 is fully compliant to USB 2.0 specification and supports USB suspend mode.	
MDIO Interface	A separate MDIO slave interface used to download the boot code from a host processor.	
Ethernet Switch/ GMAC	Internal 10/100 Ethernet switch with 4 LAN ports and one WAN port. The AR9344 integrates two GB Ethernet MACs that are connected to the Ethernet WAN port and switch. The WAN port can be configured as MII/RMII/RGMII Interface. See “Ethernet Subsystem” on page 61. GMAC0 can be connected to one FE port, or as a MAC interface that supports RGMII/MII/RMII.	
	GMAC0	Contains the Ethernet WAN port-specific accelerators.
	GMAC1	Connects to the internal Ethernet switch Can be configured to run at 1000 Mbps speed or in 100 Mbps speed. This interface supports flow control between the CPU port and the switch.
UART	Supports a low-speed UART (up to 115.2 Kbps) and high-speed UART (up to 3 Mbps)	
GPIO	Contains 22 GPIO pins; 17 of them are highly configurable, can be any input/output to any pin (CPU configurable):	
I <sup>2</sup> S/SPDIF Audio Interface	Support for I <sup>2</sup> S/ SPDIF audio interface with sampling rate up to 96 KSps, with a sample size of up to 32 bits. Both I <sup>2</sup> S master and slave modes are supported. The master clock can be internal or external. Incorporates audio PLL, which supports accuracy of up to 200 ppb frequency change and has a separate audio clock adaptation module that can slowly change the clock assisted by the CPU. See “Audio Interface” on page 83.	
SLIC	A 8-bit, 64-slot SLIC interface with support for: <ul style="list-style-type: none"> <li>■ Both master and slave modes</li> <li>■ Configurable number of active slots</li> <li>■ Internal or external frame sync modes</li> <li>■ Supports various frame sync widths: half-bit clock width, one-bit clock width, etc.</li> <li>■ Delayed/non-delayed data modes</li> <li>■ Both internal and external bit clock; the internal clock frequency is programmable</li> <li>■ VOIP applications</li> <li>■ Both Rx and Tx on different (configurable) slots</li> </ul>	
Segmentation/ Checksum Accelerator	A dedicated hardware-based accelerator for segmentation/desegmentation of packets with auto Checksum computation. The hardware can read from the DDR and write back into a different location, simultaneously computing the checksum for the data chunk. Computed checksum is updated as part of the descriptor status update.	
NAND Flash Controller	The NAND Flash controller is ONFI2.0 compliant, and supports: <ul style="list-style-type: none"> <li>■ 16-ECC capability</li> <li>■ SLC/MLC devices</li> <li>■ Two chip select signals</li> <li>■ A DMA controller to read/write data into the DDR directly</li> <li>■ Booting from NAND/Flash</li> </ul>	
Wireless MAC/BB/ Radio	Integrated 2.4/5 GHz 802.11n 2x2 two spatial stream MIMO MAC/baseband/radio. Additional features include the optional 802.11n features of Maximal Likelihood (ML) decoding, Low-Density Parity Check (LDPC), Maximal Ratio Combining (MRC), and Tx Beamforming (TxBF). See “WLAN Medium Access Control (MAC)” on page 87.	

## 2.2 Bootstrap Options

Table 2-2 details the AR9344 bootstrap options.

Table 2-2. Bootstrap Options

Bit	Name	Pin	Description
23	SOFTWARE_OPTION_8	GPIO9	Not used
22	SOFTWARE_OPTION_7	GPIO8	Not used
21	DDR_WIDTH	NAND_CLE	0   Selects DDR WIDTH 16 (Default)
			1   Selects DDR WIDTH 32
20	SOFTWARE_OPTION_5	GPIO4	Can be used by software for any purpose
19	SOFTWARE_OPTION_4	DDR_A_12	Can be used by software for any purpose
18	SOFTWARE_OPTION_3	DDR_CKE_L	Can be used by software for any purpose
17:16	SOFTWARE_OPTION_2 SOFTWARE_OPTION_1	DDR_A_9   DDR_A_8   Interface	Selects the boot mode option. Valid only if EXT_BOOT (bit [2]) is 0.
		0   0   USB	
		0   1   PCIE EP	
		1   0   MII	
15:11	RES	GPIO19, DDR_A_6, DDR_A_5	Reserved; Should be set to 0
7	USB_MODE	GPIO20	0   Host mode (Default)
			1   Device mode
			To enable USB device mode, GPIO20 should be tied to 1. Otherwise by default, it is in host mode.
6	RES	—	Reserved; should be set to 0
5	EJTAG_MODE	GPIO18	Should be set to 0. To enable EJTAG, GPIO18 should be tied to 1. Otherwise by default, it is in JTAG mode.
4	REF_CLK	GPIO22	0   Selects REF_CLK 25 MHz (Default)
			1   Selects REF_CLK 40 MHz
			To enable REF_CLK 40 MHz, GPIO22 should be tied to 1. Otherwise by default, it is in REF_CLK 25 MHz.
3	RES	—	Reserved
2	BOOT_SELECT	GPIO6	0   Selects boot from ROM (Default)
			1   Selects boot from SPI
			To enable boot from SPI, GPIO6 should be tied to 1. Otherwise by default, boot from ROM is selected.
1	SDRAM_DISABLE	GPIO7	0   SDRAM enabled (Default)
			1   SDRAM disabled
			To disable SDRAM, GPIO7 should be tied to 1. Otherwise by default, SDRAM is enabled.
0	DDR_SELECT	GPIO10	0   Selects DDR 2
			1   Selects DDR 1 (Default)
			To select DDR2, GPIO10 is tied to 1. Otherwise by default, DDR1 is selected.

All GPIOs used as bootstrap should have stable value at the pins until SYS\_RST\_L\_OUT is deasserted.

## 2.3 RESET

Figure 2-2 shows the AR9344 reset.

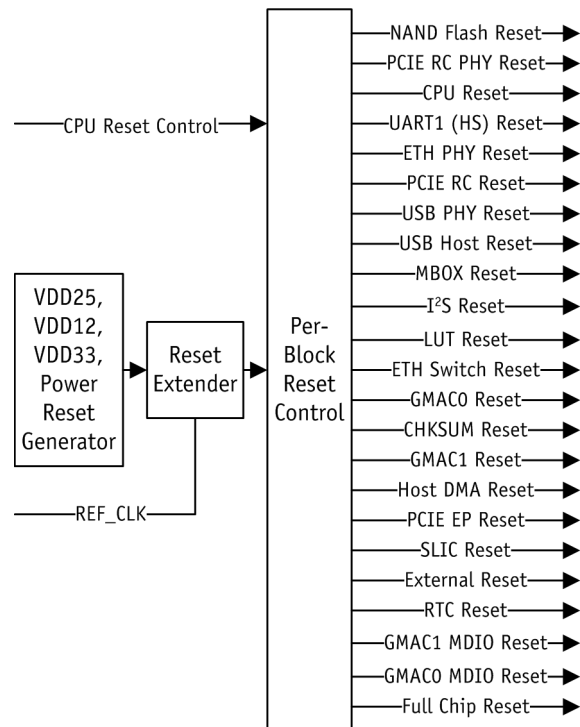


Figure 2-2. AR9344 Reset

Each of the pe- block resets can be issued by software by writing to the RST\_RESET register. See “Reset (RST\_RESET)” on page 150 for the bit definitions for each per block reset.

## 2.4 PLL and Clock Control

### 2.4.1 Full Chip Clocking Structure

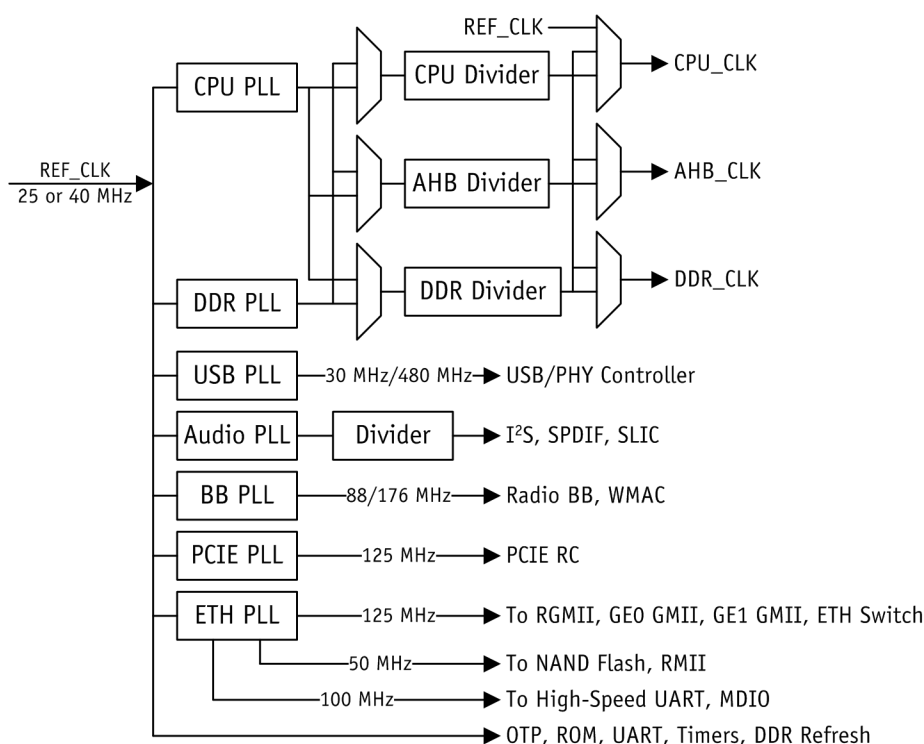


Figure 2-3. Full Chip Clocking Structure

The AR9344 includes these PLLs:

PLL	Description
“CPU PLL”	By default the source clock for the CPU_CLK, although it can also be derived from the DDR PLL.
“DDR PLL”	By default the source clock for DDR_CLK and AHB_CLK, though both can also be derived from the CPU PLL.
“Audio PLL”	By default, the I <sup>2</sup> S, SPDIF, and SLIC interfaces use this PLL.
BB PLL	By default, this PLL generates clocks for the radio, baseband and WMAC.
PCIE PLL	Generates the PCIE RC 100 MHz clock.
ETH PLL	Generates the clock for all Ethernet interfaces, MAC, etc., as well as to the NAND flash controller.

### 2.4.1 CPU PLL

The CPU PLL is configured by the bit CPU\_PLL\_CONFIG in “CPU DDR Clock Control (CPU\_DDR\_CLOCK\_CONTROL)”. The clock can vary slightly by changing the divider’s FRAC. The dithering is controlled through the CPU\_PLL\_DITHER register. Note that if DDR\_CLK is derived from the CPU PLL, it is better to turn off dithering.

The clock switcher and dynamic clock divider guarantee any change in inputs to this module is glitch-free; thus input to this block can change. Make sure that, when modifying the select to the clock switcher module, both clock inputs are present as switching from one clock to another depends on both clocks. Figure 2-4 details the derivation of the CPU\_CLK that clocks the MIPS processor.

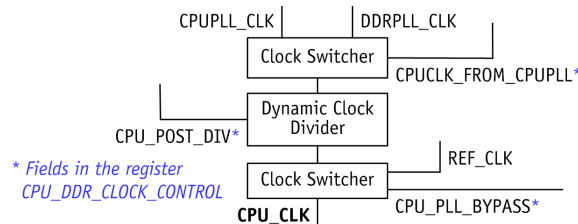


Figure 2-4. 74Kc Processor CPU Clock

### 2.4.2 DDR PLL

The DDR PLL is configured with “DDR PLL Configuration (DDR\_PLL\_CONFIG)” and “CPU DDR Clock Control (CPU\_DDR\_CLOCK\_CONTROL)”. The DDR PLL clock is dithered by “Current Dither Logic Output (CURRENT\_PCIE\_PLL\_DITHER)”; it is done immediately after issuing an auto refresh command to the DDR. Figure 2-5 shows the DDR\_CLK and AHB\_CLK select signal change to clock switching logic, which should be made only if both clock inputs are preset.

- Thus, changing the PLL clocks dynamically would be possible only by:
1. Asserting the PLL\_BYPASS mode bit.
  2. Asserting the PWD for that PLL.
  3. Reconfiguring divider INT/FRAC values.
  4. Waiting for the clock to become stable by polling the UPDATE bit.
  5. Removing the PLL\_BYPASS bit for this PLL.

The FRAC part of the PLL is dynamic, but the INT part of the divider requires the PWD to go high and then low.

The CPU can do this procedure any time for CPU\_CLK/AHB\_CLK, which is useful to enter low power states leading to minimal chip power consumption. Another way to change the CPU/AHB/DDR\_POST\_DIV to shift down to lower clock for these clocks. An optimal DDR and CPU frequency can be dynamically chosen, and the PLL reprogrammed for optimal power. However, make sure that no DDR transaction is pending or in progress before changing the DDR\_CLK frequency.

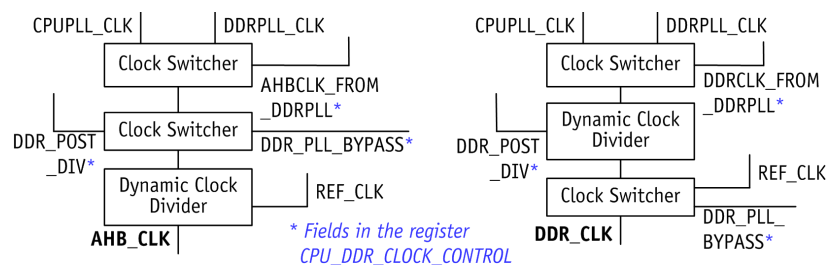


Figure 2-5. DDR\_CLK and AHB\_CLK



### 2.4.3 Audio PLL

The audio PLL is configured with “Audio PLL Configuration (AUDIO\_PLL\_CONFIG)”. Hardware supports small variations in the PLL clock by dynamically changing the FRAC value using the “Audio PLL Modulation Control (AUDIO\_PLL\_MODULATION)” and “Audio PLL Jitter Control (AUDIO\_PLL\_MOD\_STEP)” registers.

### 2.5 MIPS Processor

The AR9344 integrates an embedded MIPS 74Kc processor. For more information, visit: <http://www.mips.com/products/cores/32-64-bit-cores/mips32-74k/>

Under Processor Cores-74K Family, refer to:

- MIPS32® 74Kc™ Processor Core Datasheet
- MIPS32® 74K® Processor Core Family Software User’s Manual

#### 2.5.1 Configuration

Table 2-3 summarizes the configuration settings used by the AR9344. Upon reset, the CPU puts out an address of 0xBFC00000 which is mapped to the flash address space. The AR9344 processor supports a clock frequency of up to 533 MHz.

Table 2-3. Core Processor Configuration Settings

Setting	Description
Cache Size	The AR9344 implements 64 KB 4-way set associative instruction cache and 32 KB four-way set associative data cache. It supports single cycle multiply-accumulate, MIPS32 and MIPS16 instruction sets and non-blocking cached reads.
Endian	The AR9344 implements big Endian addressing.
Block Addressing	The AR9344 implements sequential ordering.

### 2.6 Address MAP

Figure 2-6 shows the address space allocation.

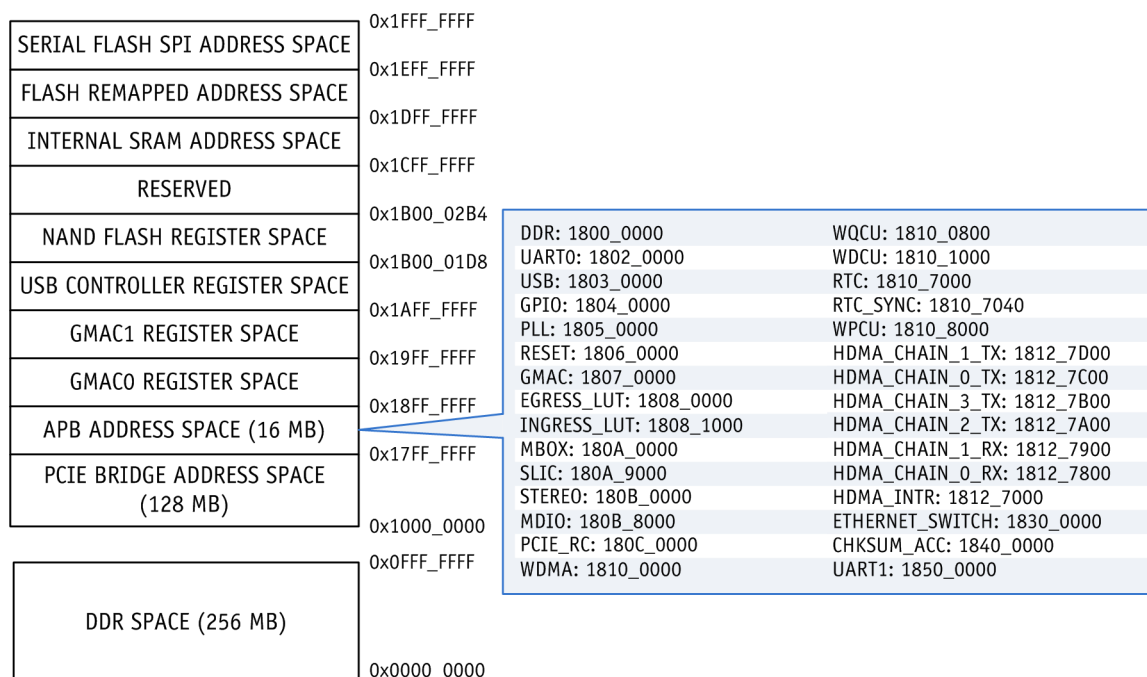


Figure 2-6. Address Space Allocation

## 2.7 DDR Memory Controller

The AR9344 allows an external memory interface supporting 16-bit SDRAM, 16- or 32-bit DDR1, or DDR2. The memory controller can enter DDR/SDRAM self refresh for low power modes.

The SDRAM, DDR1, and DDR2 modes have small differences in read/write transactions. For a write transaction, DDR2 memory expects write data after a latency depending on CAS latency. DDR1 memory expects the first data immediately after the clock in which the write command is issued. SDRAM expects the write data to start with the write command itself.

The controller uses the configurable parameter `DDR2_TWL` in the “[DDR2 Configuration \(DDR\\_DDR2\\_CONFIG\)](#)” register. The parameter is applicable for DDR1 and DDR2 modes: it should be set to one for DDR1 mode, and to  $(CAS - 1) * 2 - 1$  for DDR2 mode.

The controller handles SDRAM mode as needed depending on the “[DDR Controller Configuration \(DDR\\_CTL\\_CONFIG\)](#)” register `SDRAM_MODE_EN` bit.

### On-Chip SRAM

The DDR controller provides 32 KBytes of on-chip SRAM for access to critical information. This SRAM is mapped at the base address 0x1D000000 and is accessible by CPU and all other memory clients. The SRAM can be used for critical control and data information exchange between the CPU and memory clients, when DDR memory is not accessible during low power modes and during initial boot from external hosts or NAND flash.

### Enabling DDR1 Mode

Set the bit `SDRAM_MODE_EN` in “[DDR2 Configuration \(DDR\\_DDR2\\_CONFIG\)](#)” to zero, and `ENABLE_DDR2` to one.

- If `HALF_WIDTH` is set, x16 mode is selected and requires the `VEC` field in the register “[DDR Read Data Capture Bit Mask \(DDR\\_RD\\_DATA\\_THIS\\_CYCLE\)](#)” to be set to 0xFFFF.
- If `HALF_WIDTH` bit is not set, x32 mode is selected and requires `VEC` to be set to 0xFF.

### Enabling SDRAM Mode

Set `SDRAM_MODE_EN` in “[DDR Controller Configuration \(DDR\\_CTL\\_CONFIG\)](#)”. Because the 16-bit interface is only supported in this mode, if this bit is set, `HALF_WIDTH` should also be set, and the `VEC` bit in “[DDR Read Data Capture Bit Mask \(DDR\\_RD\\_DATA\\_THIS\\_CYCLE\)](#)” should be set to 0xFFFF\_FFFF.

#### 2.7.1 DDR Configurations

Table 2-4 shows the DDR configurations.

Table 2-4. DDR Configurations

Device on Board	Total Memory	Mode	DDR1	DDR2	Notes
512 Mbits x 16	64 MBytes	16 Bit	Yes	Yes	CPU address A26/A27 unused
512 Mbits x 16 512 Mbits x 16	128 MBytes	32 Bit	Yes	Yes	CPU address A27 unused
512 Mbits x 8 512 Mbits x 8	128 MBytes	16 Bit	Yes	No	CPU address A27 unused
512 Mbits x 8 512 Mbits x 8 512 Mbits x 8 512 Mbits x 8	256 MBytes	32 Bit	Yes	No	CPU address A26/A27 are A9/A11 of column bits, respectively

## 2.7.2 Address Mapping

Table 2-5 shows the correspondence of the internal CPU address, the DDR interface address, and the physical memory address.

Supported devices include:

- DDR1/DDR2 512 Mbits x 16
- DDR1 512 Mbits x 8

Table 2-5. CPU Address: DDR Interface Address Mapping

DDR Interface Address	Column Address <sup>[1]</sup> : 32-Bit Mode	Column Address: 16-Bit Mode	Bank Address: 16- or 32-Bit Mode	Row Address <sup>[2]</sup> : 16- or 32-Bit Mode
DDR_A_0	CPU_ADDR[2]	0	—	CPU_ADDR[11]
DDR_A_1	CPU_ADDR[3]	CPU_ADDR[2]	—	CPU_ADDR[12]
DDR_A_2	CPU_ADDR[4]	CPU_ADDR[3]	—	CPU_ADDR[13]
DDR_A_3	CPU_ADDR[5]	CPU_ADDR[4]	—	CPU_ADDR[14]
DDR_A_4	CPU_ADDR[6]	CPU_ADDR[5]	—	CPU_ADDR[15]
DDR_A_5	CPU_ADDR[7]	CPU_ADDR[6]	—	CPU_ADDR[16]
DDR_A_6	CPU_ADDR[8]	CPU_ADDR[7]	—	CPU_ADDR[17]
DDR_A_7	CPU_ADDR[23]	CPU_ADDR[8]	—	CPU_ADDR[18]
DDR_A_8	CPU_ADDR[25]	CPU_ADDR[23]	—	CPU_ADDR[19]
DDR_A_9	CPU_ADDR[26]	CPU_ADDR[25]	—	CPU_ADDR[20]
DDR_A_10	0	0	—	CPU_ADDR[21]
DDR_A_11	CPU_ADDR[27]	CPU_ADDR[26]	—	CPU_ADDR[22]
DDR_A_12	0	CPU_ADDR[27]	—	CPU_ADDR[24]
DDR_BA_0 <sup>[3]</sup>	—	—	CPU_ADDR[9]	—
DDR_BA_1	—	—	CPU_ADDR[10]	—

[1]Column address: DDR\_A\_0 through DDR\_A\_12, when the column is accessed.

[2]Row address: DDR\_A\_0 through DDR\_A\_12, when the row is accessed.

[3]The AR9344 does not support BA\_2, which thus must be connected to GND at the memory if present.

## 2.7.3 Refresh

DDR memory must refresh periodically. The DDR controller has an automatic 25- or 40-MHz refresh command generation module that clocks with REF\_CLK. Because DDR\_CLK is dynamic, the auto REFRESH\_PERIOD works on the fixed REF\_CLK.

### 2.7.3.1 Self Refresh

The AR9344 DDR controller supports a self refresh (SF) sequence; that is, it has hardware support to issue commands to place DDR memory into and to exit SF mode. The register “[DDR Self Refresh Control \(DDR\\_SF\\_CTL\)](#)” controls basic SF behavior.

If EN\_SELF\_REFRESH is set and no valid DDR transactions are in progress, the DDR controller initiates an SF enter sequence. If DDR clients have transactions in progress, the controller waits until no DDR activity is occurring.

If EN\_AUTO\_SF\_EXIT is set, the controller initiates an exit SF sequence upon detecting a DDR request from any DDR client. If this bit is not set, DDR is in SF, a DDR new request is seen, the controller generates a miscellaneous

DDR\_ACTIVITY\_IN\_SF interrupt (see the register “[Miscellaneous Interrupt Status \(RST\\_MISC\\_INTERRUPT\\_STATUS\)](#)”).

Software can alternatively force the controller to exit SF by setting EN\_SELF\_REFRESH to 0.

The “[Self Refresh Timer \(SF\\_TIMER\)](#)” register bits SF\_TIMER\_RF\_OUT\_DPR\_COUNT and SF\_TIMER\_IN\_RF\_DPR\_COUNT indicate the REFRESH\_PERIOD number that the controller was in SF and the duration for which it was out of SF. Using these variables, software can decide when to enable hardware to reenter SF.

The controller can also generate an interrupt to the CPU while entering SF, exiting SF, and while in SF if DDR activity is detected.

Immediately after exiting SF, read commands should not be issued until TXSR is met and non-read commands should not be issued until TXSNR is met. These timing parameters can be programmed via the TXSNR and TXSR fields of the DDR\_SF\_CTL registers. Note that these are in terms of DDR\_CLK and not REF\_CLK.

While in SF, DDR\_CK\_P and DDR\_CK\_N clocks can be gated, optionally using the EN\_SF\_CLK\_GATING bit .

## 2.8 PCIE EP

The AR9344 acts like a client device to an external host via the PCIE EP interface. A descriptor-based DMA engine enables seamless transfer of packet between the external host and on-chip memory. The DMA engine consists of two parts: one to handle DMA data transfer between external memory and the DMA buffer (as controlled by the external host through registers), and another to handle data transfer between the DMA buffer and on-chip memory (as controlled by the on-chip processor through the local AHB/APB interface). The external host cannot access the internal registers directly, and the on-chip processor cannot access the external hosts resources directly. All information must be transferred as a stream of packets through the DMA engine. See [Figure 2-7](#).

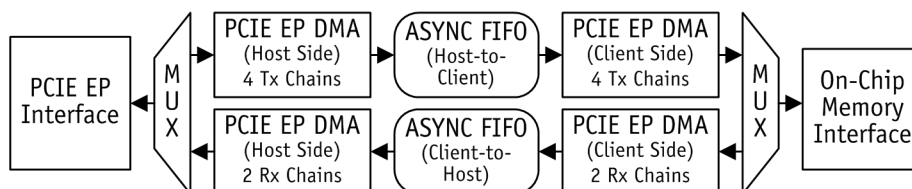


Figure 2-7. PCIE EP

### 2.8.1 PCIE EP DMA Interface

The PCIE EP DMA is packet-based transfer from the external host to and from on-chip memory. The external host allocates descriptors and buffers and programs the DMA engine with the descriptor start address and a start command. For data transfers from the external host (host) to on-chip memory (client), the DMA engine performs a memory read transaction through the PCIE EP interface. The received data is stored in the DMA buffer (host FIFO). When the data in the host FIFO exceeds a threshold, it triggers a signal to the client DMA to pick up the data and forward it to the on-chip memory. The on-chip processor sets up the required client-side descriptors and buffers.

Similarly for data transfers from the client to the external host, the local processor sets up the client side DMA with required data transfer information. The DMA engine loads data into the DMA buffer (client FIFO). Based on a threshold, a memory write transaction is performed via the PCIE EP interface to external memory.

The required descriptors and host-side buffers are set up by the external host. Host and client transactions are simultaneous; they have priority logic to and from the channels. The DMA host side has 4 Tx channels (0, 1, 2, 3) and 2 Rx channels (0, 1). The client side of the DMA thus has 4 Rx channels (0, 1, 2, 3) and 2 Tx channels (0, 1). The capability to specify priority for any of these Tx and Rx DMA channels exists on the DMA host side.

### 2.8.2 PCIE EP Descriptor Format

[Table 2-2](#) shows the AHB downstream DMA (host data to device memory).

Table 2-2. AHB Downstream DMA

	Byte 3	Byte 2	Byte 1	Byte 0
"DES0"	CONTROL		STATUS	
"DES1"	TOTALLEN		DATASIZE	
"DES2"	RES	LASTADDR		
"DES3"	RES	DATAADDR		
"DES4"	RES	NEXTADDR		

Table 2-3. DES0

Bit	Bit Name	Description
31:26	RES	Reserved
25	FS	First segment of a packet; Set by software to indicate this is the first descriptor for the packet
24	LS	Last segment of a packet; <ul style="list-style-type: none"> <li>■ For memory-to-DMA controller transfers (host and client-side Tx): Set by software to indicate this is the last descriptor in the current packet.</li> <li>■ For DMA controller-to-memory transfers(host and client-side Rx) Updated by the DMA controller to indicate this is the last descriptor for the current packet received.</li> </ul>
23:2	RES	Reserved; Write zeroes to this field
1:0	OWN	Software set the OWN bits to tell the DMA controller that the descriptors belong to it. After the data transfer, the DMA controller changes the OWN bits to another DMA controller.
	00	Descriptor is owned by the software
	01	Descriptor is owned by the DMA controller
	11:10	Reserved

Table 2-4. DES1

Bit	Bit Name	Description
31:16	TOTALLEN	Total length of buffer chains (in Bytes) of this packet.
15:0	DATASIZE	Data buffer size (in Bytes). <ul style="list-style-type: none"> <li>■ Set by Software to indicate the buffer size of the current descriptor.</li> <li>■ For DMA controller-to-memory transfers(host and client-side Rx) The last descriptor is updated by DMA controller at the end of packet reception with the actual length of that last buffer</li> </ul>

Table 2-5. DES2

Bit	Bit Name	Description
31:24	RES	Reserved
23:0	LASTADDR	The address of the last descriptor in the current packet. For DMA controller-to-memory transfers(host and client-side Rx): Updated in the first descriptor of the packet after the data transfer is complete.

Table 2-6. DES3

Bit	Bit Name	Description
31:24	RES	Reserved
23:0	DATAADDR	The address of the data buffer. Set by software to indicate the start of the data buffer (source or destination) for packet data.

Table 2-7. DES4

Bit	Bit Name	Description
31:24	RES	Reserved
23:0	NEXTADDR	The address of the next descriptor.

### 2.8.3 Reset and Initialization

The interfaces must be brought out of reset before transactions can be started, while able to completely disable any of these interfaces. A specific reset sequence must be adopted on power-on to allow for graceful bringup of the PCIE EP interface and PCI EP DMA engine.

1. The external host brings up the PCIE EP link with the AR9344 as the PCIE EP client (link-up). At this point the client side of the DMA engine is still in reset state while the host side is fully out of reset and active.
2. The external host polls the client DMA reset bit and waits for the client to be out of reset.
3. The local processor brings the client side DMA engine out of reset.
4. The external host sees that the client side of the DMA engine is out of reset .
5. The external host proceeds to program the host side DMA for data transfers.

The local processor can poll on the host DMA reset bit to check whether the host side DMA engine is in or out of reset. Based on the status, the local processor proceeds to program the client-side DMA transfers.

Either the external host or on-chip processor can use this mechanism at any time during normal operation to reset and resynchronize the DMA engines, in case they go out of sync. The status of each DMA engine is visible to the other through the DMA reset bits and a corresponding interrupt: one on the PCIE EP host side to inform the host and another on the client side to inform the local processor.

### 2.8.4 Interrupts

Each Tx and Rx DMA chain has complete and end interrupts used to track the status of each transfer. The DMA interrupt on the host side goes via the PCIE EP to the external host CPU. The DMA interrupt on the client side is wired to one of the interrupt lines of the AR9344 CPU.

### 2.8.5 Power Management

PCIE EP has the capability to support L1 and L0s low power modes in ASPM. To enable ASPM in the link, the link capability register and link control registers can be programmed to enable L1 and/or L0s ASPM .

## 2.9 PCIE RC

The AR9344 has a PCIE root complex (RC) supporting a single-lane PCIE link at 2.5 Gbps. The RC core implements the PCIE protocol layers: transaction, data link, and physical.

The PCIE PHY module resides outside of the RC core, interfacing through the PIPE, which is the standard interface between the PHY and the RC core. The PHY is split across the PIPE so MAC functionality is in the RC core and PHY functionality is implemented in the PIPE-compliant PHY external to the RC.

It has a sideband interface referred to as data bus interface (DBI) controlled by the CPU via APB, which programs the RC core configuration space. The DBI delivers a read/write request from application logic to the internal registers of the core. The RC core configuration space contains these register maps:

- PCI 3.0 compatible configuration space header
- PCI capabilities structures (starts at offset 0x40)
- PCIE extended configuration space (starts at offset 0x100)
- Port logic (vendor-specific registers) (starts at offset 0x700)

The CPU controls configuration and memory requests to the external EP through the AHB.

### 2.9.6 Power Management

The PCIE RC supports L0s and L1 active state power management space. L0s is the low power standby state with lower entry/exit latencies. L1 saves more power, but with increased entry and exit latencies.

The PCIE RC includes the capacity to shut off the reference clocks going to the endpoint and powering down the RC PCIE PLL in L1 mode.

### 2.9.7 Interrupts

PCIE RC supports legacy INTx interrupts generated through PCIE message transactions. The application monitors the assertion and de-assertion messages for inbound INTx legacy interrupts (from the downstream component). It also supports MSI-based interrupt signalling through posted memory write transfers (only one of INTx or MSI can be enabled at any time).

### 2.9.8 Error Reporting Capability and Status Checking

PCIE RC support advanced error reporting (AER) and has the ability to capture correctable and uncorrectable (fatal and non-fatal) errors in transmit and receive. The provision to capture these error messages as interrupts also exists.

### 2.9.9 Byte-Swap Option

The PCIE RC AHB interface is configured as big-Endian. Depending on whether data is to be sent to the endpoint in little- or big-Endian format, PCIE RC software can add a byte-swap in slave data going into the PCIE core.

### 2.9.10 Request Sizes and Payloads

The PCIE RC supports:

- The maximum number of outstanding incoming non-posted requests is 32
- The maximum payload size is 128
- The maximum read the request size (AHB Master) is 128 bytes
- The burst size for master requests is 64 bytes (INCR)

## 2.10 SLIC

### 2.10.1 Overview

The AR9344 provides a single, 4-wired, multi-channel PCM digital highway for connecting to a SLIC-based VOIP interface circuit. The SLIC interface is compatible with a standard PCM interface based on T1 (24 channels at 1.544 MHz) or E1 (32 channels at 2.048 MHz).

Trunk interfaces are suitable for VOIP applications. Other non-standard channel numbers up to 64 channels and a bit rate up to 8.092 MHz are supported via register configuration. In a VOIP application, the AR9344 SLIC controller can be configured as a bridge between the PCM voice interface and the LAN/WAN/WLAN IP packet interface.

The SLIC controller can transmit/receive on 1, 2, or multiple-time multiplexed 8-bit voice channels on the PCM trunk. Up to 64 channels are supported through the bit mask channel enable registers. All Tx/Rx operations are 8-bit PCM samples transferred using descriptor-based DMA controllers (mailboxes) between the system memory and the trunk interface. Each direction (Tx and Rx) has one mailbox DMA controller.

The major features include:

- Programmable number of SLIC\_SLOTS
- Enabling multiple slots
- Master or slave programming
- Short/long frame sync
- Delayed or non-delayed data operation mode
- SLIC enable/disable
- Programmable divider clock
- 8-bits/slot (maximum of 64 slots); having 16 bits/slot requires enabling two consecutive slots. In 16-bit mode, the total number of slots available becomes 32.
- Separate interrupts for Rx and Tx DMA completion
- SLIC interrupt for unexpected frame sync in slave mode
- Bit swap across byte boundary
- Configurable options to send data at various edges after frame sync
- Variations in frame sync duration
  - Frame sync can last for a half clock duration of BIT\_CLK
  - Frame sync can stay for more than one clock duration of BIT\_CLK (the number of clocks for which frame sync should be high is configurable)

Figure 2-8 shows the SLIC block diagram.

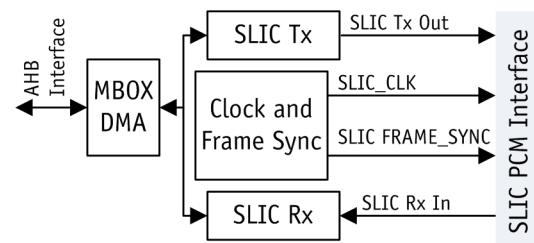


Figure 2-8. SLIC Block Diagram

### 2.10.2 SLIC Interface

The SLIC interface utilizes a versatile mailbox DMA controller for all data transfers to and from system Memory. See “[Mailbox \(DMA Controller\)](#)” on [page 85](#) for more information.

### 2.10.3 Transmit

In the Tx direction, software prepares suitable voice buffers from IP packets received from LAN/WAN/WLAN in system memory, and hands to the mailbox DMA using descriptors. The DMA controller reads the buffers from memory and puts them onto the Tx channels or time slots on the PCM interface. Only channels/time slots enabled by the Tx mask registers are used for sending Tx data. All Tx data synchronizes with respect to frame sync, which provides voice sample synchronization between the source and the voice data receiver. Channel numbering starts with respect to the frame sync being asserted and based on programmable number PCM clocks where frame sync remains asserted.

### 2.10.4 Receive

In the Rx direction, the SLIC controller receives voice samples from the channels/time slots reenabled by the Rx mask register. These 8-bit samples are then assembled and DMAed to system memory based on the buffer pointers provided in the Rx descriptors. Like Tx, all Rx sample operations synchronize with respect to frame sync. Channel numbering starts with frame sync being asserted and is based on the programmable number of PCM clocks where frame sync remains asserted.

### 2.10.5 SLIC Interface Signals

The SLIC interface uses the GPIO pins to implement the PCM highway. The GPIO must be programmed for the necessary SLIC signals (bit clock, frame sync, DI, DO) through the GPIO module. [Table 2-8](#) shows the SLIC interface signals.

**Table 2-8. SLIC Interface Signals**

Signal Name	Type	Description
SLIC_PCM_FS_IN	I	PCM frame sync input in slave mode
SLIC_PCM_DATA_IN	I	PCM serial data input
SLIC_PCM_CLK_IN	I	PCM bit CLK input in slave mode
SLIC_PCM_CLK_OUT	O	PCM bit CLK output in master mode
SLIC_PCM_DATA_OUT	O	PCM serial data output
SLIC_PCM_FS_OUT	O	PCM frame sync output in master mode
SLIC_FS_OUT_EN	O	PCM frame sync drive enable to GPO pad
SLIC_DATA_OUT_EN	O	PCM data out enable to GPO Pad



### 2.10.6 SLIC Master and Slave Modes

#### ■ Master Mode

The SLIC controller is the master of the PCM trunk interface and controls the interface clock (PCM CLK), frame sync, and the time slots. The SLIC controller requires a clock source (from the on-chip PLL block) and has an internal divider to generate the PCM clock and frame sync frequencies.

#### ■ Slave Mode

The SLIC controller is a slave device on the PCM trunk interface and receives the interface clock (PCM CLK) and frame sync from an external PCM master.

The major programmable features include:

Time Slot Count	The number of time slots the SLIC controller generates (master mode) or looks for (slave mode) is programmable (1–64). Each 8-bit time slot is referenced from the frame sync pulse and starts at a programmable number of CLK edges from the CLK edge where frame sync is asserted (master) or sampled high (slave mode).
Programmable Active Slots	The SLIC controller can send data (in Tx) or sample incoming data (Rx) on one or more time slots in a PCM frame as per a programmable mask. Each time slot (1–64) on the frame time is assigned a mask bit. Each direction (Tx/Rx) has a separate 64-bit mask register. The data from the internal buffer is sent only on time slots for which the corresponding mask bit is set. For the remaining time slots, the Tx out line is tristated. Similarly, data is sampled from the Rx in line only on those time slots for which the corresponding mask bit is set in the Rx mask register.
FrameSync Length and Delay	The frame sync (generated during master mode and sampled in slave mode) can have a programmable length (1/2 PCM CLK, or 1 to 8 PCM CLKs, i.e., one time slot in duration). It is programmable using the fields LONG_FS and LONG_FSCLKS of the register “ <a href="#">SLIC Timing Control (SLIC_TIMING_CTRL)</a> ”. The start of the first time slot in a PCM frame with reference to frame sync can be programmed to be 1–8 CLK edges from the first CLK edge where frame sync is asserted (master mode) or sampled high (slave mode).
Bit Endianness	The bit ordering within a byte (1 time slot data = 8 bits) can be programmed, with bit [0] (closest to frame sync) being the MSB OR bit [7] (farthest from frame sync) being MSB. The SLIC_SWAP register has one bit each for Tx and Rx direction to set the bit ordering.

## 2.11 Segmentation/Desegmentation/ Checksum Accelerator

Three different operation modes are available:

- Compute checksum of a data buffer.  
Set the OFFTY field to 0x0.

In this case, the CPU sets up one descriptor per data buffer in the Tx direction. Hardware computes the checksum for each data buffer individually, and updates the checksum in DWord1 of the descriptor.

After processing a data buffer, hardware sets the PktV bit in DWord1, indicating that hardware completed processing this data buffer.

- Read in a chunk of buffer and split it to many smaller chunks, computing the checksum for each smaller chunk.

In this case the Tx descriptor has one descriptor, and receive would be a chain of descriptors one for each smaller chunk. It is the responsibility of the software to set the

buffer sizes correctly for all the smaller chunks as well as the big source data chunk so that the sizes of all the smaller ones match the size of the big source chunk.

For each smaller buffer, hardware computes the checksum and updates the STATUS field. Because hardware does not update the SOF/EOF fields, it is recommended that software queue desegmentation one chunk at a time. The OFFTY field is set to 0x001.

- Read in many small chunks of data, combine them into one, and compute the checksum of this big chunk.

Each buffer chunk is associated with a descriptor. If many small pieces are present, the first has the SOF bit in its descriptor set and the last has the EOF bit set in its descriptor. Hardware reads all data from these data buffers and updates checksum in the Rx descriptor. It also writes back the data buffer size in the third word.

Table 2-9 shows the Tx descriptor structure.

Table 2-9. Tx Descriptor Structure

DWord	Bits	Name	Description	
0	31:0	BUFFER_ADDR	Buffer address; Indicates the data buffer start address. Non-word aligned addresses are supported. The DMA can perform byte-write transactions, which help in segmentation and desegmentation on buffers on any address and on any length.	
1 (CONTROL)	31	PKTV	Packet void; Software must set PktV to 0, and after the descriptor is processed and checksum is updated, hardware sets it back to 1.	
	30:28	OFFTY	0	Compute checksum only. Bytes are not pushed to receive side for segmentation or desegmentation
			1	Compute checksum and fill up Rx buffers and compute checksum on the Rx side with segmentation or desegmentation.
	27	EOF	The frame ends with this buffer. If the frame spans multiple descriptors, the first descriptor should have StartOfFrame set and last descriptor should have EndOfFrame set.	
	26	SOF	Should be set on the first descriptor, when more than one buffers are linked through descriptor link pointers.	
	25:19	RES	Reserved	
	18:0	PKTSIZE	Tx buffer size (initialized by the CPU) Supports up to 512 KByte buffers.	
1 (STATUS)	31	RES	Reserved; must be set to 1	
	27:25	RES	Reserved	
	15:0	CHKSUM	Checksum (written back by hardware); 16-bit checksum computed on bytes in the buffer associated with the descriptor.	
2	31:0	NEXTDESC	Next descriptor address; The descriptor chain is traversed until it reaches one with its PktV bit set to 1. If this descriptor is the last descriptor in the chain, point the next descriptor address to the first descriptor in the chain, which will already have PktVoid set by hardware.	
3 (STATUS ONLY)	31:19	RES	Reserved	
	18:0	HWPKTSIZE	Hardware Tx packet size; Remains the same as the one in control descriptor.	

Table 2-10 shows the Rx descriptor structure.

Table 2-10. Rx Descriptor Structure

DWord	Bits	Name	Description
0	31:0	BUFFER_ADDR	Buffer address; Indicates the data buffer start address. Non-word aligned addresses are supported. The DMA can perform byte-write transactions, which help in segmentation and desegmentation on buffers on any address and on any length.
1 (CONTROL)	31	PKTV	Packet void; Software must set PktV to 0, and after the descriptor is processed and checksum is updated, hardware sets it back to 1.
	30:19	RES	Reserved
	18:0	PKTSIZE	Tx buffer size (initialized by the CPU) Supports up to 512 KByte buffers.
1 (STATUS)	31	RES	Reserved; must be set to 1
	27:25	RES	Reserved
	15:0	CHKSUM	Checksum (written back by hardware); 16-bit checksum computed on bytes in the buffer associated with the descriptor.
2	31:0	NEXTDESC	Next descriptor address; The descriptor chain is traversed until it reaches one with its PktV bit set to 1. If this descriptor is the last descriptor in the chain, point the next descriptor address to the first descriptor in the chain, which will already have PktVoid set by hardware.
3 (STATUS ONLY)	31:19	RES	Reserved
	18:0	HWRXPKTSIZE	Hardware Rx packet size; the number of Bytes in the Rx buffer

## 2.12 GPIO

The GPIO module is structured in such a way that any signal listed in [Table 2-12, “GPIO Output Select Values,”](#) on page 53 and [Table 2-13, “GPIO Input Select Values,”](#) on page 55 can be available through any GPIO pin, except for the JTAG signals, which cannot be programmed on any other GPIO pins.

GPIO pins can be configured as input/output by programming the appropriate bits in the GPIO function registers. On reset, GPIO[17:0] are configured with certain default signals, as shown in [Table 2-11](#).

See [“GPIO Registers”](#) on page 130 for more information on GPIO control and multiplexing.

---

**NOTE:** JTAG pins must use GPIO[3:0]. Apart from JTAG, all signals can use any GPIO and can use GPIO[3:0] by setting the DISABLE\_JTAG bit to 1 in [“GPIO Function \(GPIO\\_FUNCTION\)”](#).

---

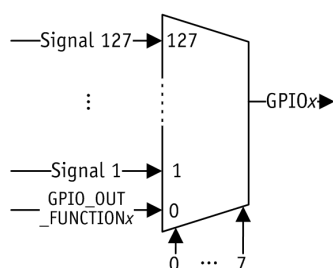
Table 2-11. Default GPIO Signals

GPIO	Signal	Direction	Description
GPIO0	TCK	Input	JTAG Clock
GPIO1	TDI	Input	JTAG data input
GPIO2	TDO	Output	JTAG data output
GPIO3	TMS	Input	JTAG test mode
GPIO4	CLK_OBS5 <sup>[1]</sup>	Output	Clock observation
GPIO5	SPI_CS	Output	SPI chip select (Default = 1)
GPIO6	SPI_CLK	Output	SPI clock (Default = 0)
GPIO7	SPI_MOSI	Output	SPI data output (Default = 0)
GPIO8	SPI_MISO	Input	SPI data input
GPIO9	UART0_SIN	Input	Low-speed UART0 serial input
GPIO10	UART0_SOUT	Output	Low-speed UART0 serial output
GPIO11	—	Output	Software configurable
GPIO12	—	Output	Software configurable
GPIO13	—	Input	Software configurable
GPIO14	—	Input	Software configurable
GPIO15	—	Input	Software configurable
GPIO16	—	Output	Software configurable
GPIO17	—	Input	Software configurable
GPIO18	—	Output	Software configurable
GPIO19	—	Output	Software configurable
GPIO20	—	Output	Software configurable
GPIO21	—	Output	Software configurable
GPIO22	—	Output	Software configurable

[1]See [Table 8.3.23, “GPIO Function \(GPIO\\_FUNCTION\),”](#) on page 137 for clock signals that can be observed through GPIO pins.

### 2.12.1 GPIO Output

GPIO is structured to output one of 128 signal through any GPIO pin. See [Figure 2-9](#).



**Figure 2-9. GPIO is Structured to Output 1 of 128 Signal Through Any GPIO**

Each GPIO output is structured as 128:1 MUX. The MUX select is an 8-bit register that can be programmed with the values 0–127 to allow that particular input signal through the GPIO pin, as shown in [Table 2-12](#). The signal gets the source from the “GPIO\_OUT\_FUNCTIONx” registers. Each 32-bit register has select values for four GPIO pins (8 bits each).

**Table 2-12. GPIO Output Select Values**

MUX Select Value	Signal Name	Description
1	NAND_CS	NAND Flash chip select
2	BOOT_RXT_MDI	Boot MDIO MDI signal (MDIO slave for boot up)
3	RES	Reserved
4	SLIC_DATA_OUT	SLIC data out
5	SLIC_PCM_FS	SLIC frame sync
6	SLIC_PCM_CLK	SLIC reference clock
7	SPI_CS_1	SPI chip select 1
8	SPI_CS_2	SPI chip select 2
9	SPI_CS_0	SPI chip select 0
10	SPI_CLK	SPI Clock
11	SPI_MOSI	SPI data output
12	I2S_CLK	I <sup>2</sup> S reference clock
13	I2S_WS	I <sup>2</sup> S word select for stereo
14	I2S_SD	I <sup>2</sup> S serial audio data
15	I2S_MCK	I <sup>2</sup> S master clock
16	CLK_OBS0	Clock observation, see “GPIO Function (GPIO_FUNCTION)” on <a href="#">page 137</a> for clock signals that can be observed through GPIO pins
17	CLK_OBS1	
18	CLK_OBS2	
19	CLK_OBS3	
20	CLK_OBS04	
21	CLK_OBS5	
22	CLK_OBS6	
23	CLK_OBS7	

**To output the signal through the GPIO pin, use this register programming:**

1. If using a non-JTAG signal on GPIO[3:0], write the bit DISABLE\_JTAG of the “GPIO Function (GPIO\_FUNCTION)” register to 1.
2. Set the corresponding GPIO bit in the “GPIO Output Enable (GPIO\_OE)” register to 0.
3. Write the particular GPIO field in the “GPIO\_OUT\_FUNCTIONx” register with the corresponding output signal value from [Table 2-12](#).

**For example, to drive the SPI\_CLK signal through the GPIO4 pin:**

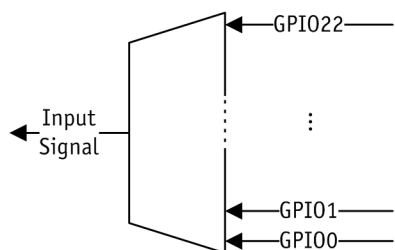
1. Set bit[4] of “GPIO Output Enable (GPIO\_OE)” register to 0.
2. Set the 8-bit field ENABLE\_GPIO4 (bits [7:0]) of the “GPIO Function 1 (GPIO\_OUT\_FUNCTION1)” register to 10.

Table 2-12. GPIO Output Select Values

24	UART0_SOUT	Low-speed UART0 serial data out
25	SPDIF_OUT	SPDIF data output
26	LED_ACTN[0]	5 port Ethernet switch activity LEDs
27	LED_ACTN[1]	
28	LED_ACTN[2]	
29	LED_ACTN[3]	
30	LED_ACTN[4]	
31	LED_COLN[0]	5 port Ethernet switch collision detect LEDs
32	LED_COLN[1]	
33	LED_COLN[2]	
34	LED_COLN[3]	
35	LED_COLN[4]	
36	LED_DUPLEXN[0]	5 port Ethernet switch full duplex/half duplex LEDs
37	LED_DUPLEXN[1]	
38	LED_DUPLEXN[2]	
39	LED_DUPLEXN[3]	
40	LED_DUPLEXN[4]	
41	LED_LINK[0]	5 port Ethernet switch link indicator LEDs
42	LED_LINK[1]	
43	LED_LINK[2]	
44	LED_LINK[3]	
45	LED_LINK[4]	
46	ATT_LED	External LNA control for chain 0
47	PWR_LED	External LNA control for chain 1
48	TX_FRAME	MAC Tx frame (indicates the MAC is transmitting)
49	RX_CLEAR_EXTERNAL	WLAN active
50	LED_NETWORK_EN	MAC network enable
51	LED_POWER_EN	MAC power LED
71:52	RES	Reserved
72	WMAC_GLUE_WOW	MAC detected a WOW packet
73	BT_ANT	Indicates the BT is active
74	RX_CLEAR_EXTENSION	Medium clear for Rx
77:75	RES	Reserved
78	ETH_TX_ERR	MII transmit error
79	UART1_TD	High-speed UART1 transmit data
80	UART1_RTS	High-speed UART1 request to send
83:81	RES	Reserved
84	DDR_DQ_OE	DDR data output enable
86:85	RES	Reserved
87	USB_SUSPEND	USB suspend
91:88	RES	Reserved

### 2.12.2 GPIO Input

GPIO inputs are structured so that any signal listed in [Table 2-13](#) can source from any GPIO pin. See [Figure 2-10](#).



**Figure 2-10. Any Signal Can Receive Input From Any GPIO**

Each signal can receive its input from GPIO[22:0]. Each signal has an 8-bit register that can be programmed with the GPIO values 0–22; the signal gets its input for the corresponding GPIO pin programmed in the “GPIO\_IN\_ENABLE<sub>x</sub>” registers. See [Table 2-13](#).

**To route the GPIO input to a particular signal, use this register programming:**

1. If using a non-JTAG signal on GPIO[3:0], write the bit DISABLE\_JTAG of the “GPIO Function (GPIO\_FUNCTION)” register to 1.
2. Set the corresponding GPIO bit in the “GPIO Output Enable (GPIO\_OE)” register to 1.
3. Write the particular 8-bit GPIO field in the “GPIO\_IN\_ENABLE<sub>x</sub>” register with the corresponding output signal value from [Table 2-13](#).

**For example, to route the UART0\_SIN signal through the GPIO9 signal:**

1. Set bit[9] of “GPIO Output Enable (GPIO\_OE)” register to 1.
2. Set the UART0\_SIN field (bits[15:8]) in the “GPIO In Signals 0 (GPIO\_IN\_ENABLE0)” register to 0x9.

[Table 2-13](#) shows the GPIO input select values.

**Table 2-13. GPIO Input Select Values**

Signal Name	Description
SPI_MISO	SPI data input
UART0_SIN	Low speed UART0 serial data in
I2S_MCLK	I <sup>2</sup> S master clock
I2S_CLK	I <sup>2</sup> S reference clock
I2S_MIC_SD	I <sup>2</sup> S serial MIC in data
I2S_WS	I <sup>2</sup> S word select for stereo
ETH_RX_ERR	MII receive error
ETH_RX_COL	MII receive collision
MII_EXT_MDO	External MDIO interface for boot up, management data clock
MII_EXT_MDC	External MDIO interface for boot up, management data I/O
SLIC_PCM_FS	SLIC frame sync
SLIC_DATA_IN	SLIC data in
UART1_CTS	High-speed UART1 clear to send
UART1_RD	High-speed UART1 receive data

### 2.13 Serial Flash SPI/ROM

The SPI controller supports two ways of programming the SPI device:

- The bit blasting method by which data, CLK, and the CS are programmed directly by CPU bit in the controller register SPI\_IO\_CNTRL\_ADDR, which is shifted on to the interface signals.
- Direct programming of the data and the number of bits to shift. The controller takes care of shifting the specified number of bits.

The SPI controller has a dedicated chip select available to an external flash for booting, as well as two more configurable chip selects.

#### 2.13.1 SPI Operations

Before performing any SPI operation, the FUNCTION\_SELECT and REMAP\_DISABLE bits of the register SPI\_FUNCTION\_SELECT are set to 1. Any page program or erase operations on the SPI device must enable the write enable latch (WEL).

#### 2.13.2 Write Enable

1. Program the register SPI\_SHIFT\_DATAOUT\_ADDR with the WREN CMD value.
2. Program SPI\_SHIFT\_CNT\_ADDR:

SHIFT_CNT	8	Number of WREN command bits
TERMINATE	1	After shifting 8-bit deassert chip select
SHIFT_CLKOUT	0	Initial value of clk
SHIFT_CHNL	001	Enable chip select 0
SHIFT_EN	1	Enable shifting

#### 2.13.3 Page Program

- Send a **write enable** command before any page program or erase operations.
- Use the **send** command:
  - a. Program SPI\_SHIFT\_DATAOUT\_ADDR with the PP CMD value.
  - b. Program SPI\_SHIFT\_CNT\_ADDR:

SHIFT_CNT	8	Number of command bits
TERMINATE	0	Do not deassert CS; CMD is followed by address/data
SHIFT_CLKOUT	0	Initial value of clk
SHIFT_CHNL	001	Enable chip select 0
SHIFT_EN	1	Enable shifting

- Send the address:
  - a. Program SPI\_SHIFT\_DATAOUT\_ADDR with the address to be programmed.
  - b. Program SPI\_SHIFT\_CNT\_ADDR:

SHIFT_CNT	24	Number of address command bits
TERMINATE	0	Do not deassert CS; CMD is followed by address/data
SHIFT_CLKOUT	0	Initial value of clk
SHIFT_CHNL	001	Enable chip select 0
SHIFT_EN	1	Enable shifting

- Send the data:
  - a. Program SPI\_SHIFT\_DATAOUT\_ADDR with the data to be programmed.
  - b. Program SPI\_SHIFT\_CNT\_ADDR:

SHIFT_CNT	32	Number of data bits
TERMINATE	1	Deassert chip select after programming the data
SHIFT_CLKOUT	0	Initial value of clk
SHIFT_CHNL	001	Enable chip select 0
SHIFT_EN	1	Enable shifting

The command and address can be programmed together in SPI\_SHIFT\_DATAOUT\_ADDR in the order: {8'CMD, 24'ADDR}. The SHIFT\_CNT field in SPI\_SHIFT\_CNT\_ADDR is set to 32.

#### 2.13.4 Page Read

- Send command and address:
  - a. Program SPI\_SHIFT\_DATAOUT\_ADDR with the **read** command and address.
  - b. Program SPI\_SHIFT\_CNT\_ADDR:

SHIFT_CNT	32	Number of command and address bits
TERMINATE	0	Keep chip select asserted until the data is read
SHIFT_CLKOUT	0	Initial value of clk
SHIFT_CHNL	001	Enable chip select 0
SHIFT_EN	1	Enable shifting

- Read the data by programming SPI\_SHIFT\_CNT\_ADDR:

SHIFT_CNT	32	Number of bits to be read
TERMINATE	1	Deassert the chip select after the data is read
SHIFT_CLKOUT	0	Initial value of clk
SHIFT_CHNL	001	Enable chip select 0
SHIFT_EN	1	Enable shifting



## 2.14 MDIO Slave Interface

The AR9344 supports a MDIO Slave interface to allow an external MAC or Host CPU to communicate with the AR9344 CPU. Typically, an external host processor can download code through this interface to boot the AR9344 CPU.

A set of eight external registers (“MDIO APB Registers (MDIO\_REG)”) can be accessed and updated by an external MDIO master. The CPU can poll the 8-bit MDIO\_ISR\_REGS register (1-bit/MDIO\_REG) to show which MDIO\_REG register is updated. Typically an external host processor can download code through this MDIO slave interface to boot the CPU.

MDIO\_PHY\_ADDR is the PHY address register for MDIO slave. The CPU must initialize this register with the intended PHY address before initiating any transfer. By default, this PHY address is 7.

## 2.15 NAND Flash Controller

Figure 2-11 shows the NAND flash controller

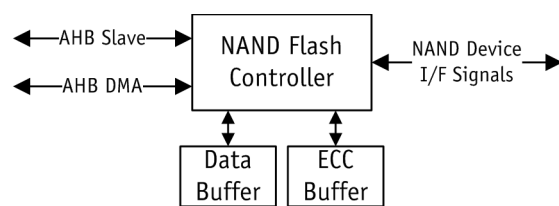


Figure 2-11. NAND Flash Controller

The NAND flash controller includes a configurable instruction mechanism to support a wide spectrum of flash devices with diverse programming requirements. It features:

- Page sizes of 256 Bytes to 16 KBytes
- Block sizes from 32 pages per block to 256 pages per block
- ECC support for error detection and correction; up to 16 bits of error per 512-byte page can be corrected
- Support for non-ONFI compliant devices through generic command sequences
- 8-bit parallel flash device interface
- Single external chip select supports device capacity up to 16 Gb (2 GBytes)
- Bus master DMA on the AHB interface
- 512-Byte data and ECC buffer
- Programmable CMD/address/data cycles
- Faulty-page-address-remappable; up to 8 page addresses can be remapped
- Interrupts for device ready, command completion, ECC error, and FIFO error

- Sequential page reads within a sector
- Page copy back support (if the device supports it)

Programming and accessing NAND flash data uses a these software-configurable parameters:

- Command codes sent to flash device during the command cycle
- Number and type of address cycles sent during the addressing cycle
- Programmable delays between the cycles
- Type of command sequence to issue; 17 fixed sequences and 2 generic command sequences can be sent to a NAND device

The instruction/command sequence can be encoded as a 32-bit instruction issued to the NAND controller:

Bits	Name	Description				
31:24	CMD2	Coding for the third command in the sequence				
23:16	CMD1	Coding for the second command				
15:8	CMD0	Coding for the first command				
7	ADDR_SEL	Selects the next address register <table border="1" style="margin-left: 20px;"> <tr> <td>0</td> <td>Select address register 0</td> </tr> <tr> <td>1</td> <td>Select address register 1</td> </tr> </table>	0	Select address register 0	1	Select address register 1
0	Select address register 0					
1	Select address register 1					
6	INPUT_SEL	Input mode <table border="1" style="margin-left: 20px;"> <tr> <td>0</td> <td>CPU PIO</td> </tr> <tr> <td>1</td> <td>DMA mode transfer</td> </tr> </table>	0	CPU PIO	1	DMA mode transfer
0	CPU PIO					
1	DMA mode transfer					
5:0	CMD_SEL	Sequence code: 17 fixed sequences are defined and 2 additional generic sequences can be defined to create a new generic command				

The 17 fixed sequences for CMD\_SEL are:

1. Command-only sequence
2. Read sequence with single command, single address, and a programmable number of data read cycles
3. Read sequence with single command, single address, and programmable data read cycles, with a programmable delay or poll device busy before read
4. Write sequence with single command, single address, and programmable data write cycles
5. Read status sequence
6. Read status sequence, with additional address cycles before status read
7. Basic read sequence with 1 command cycle, 3 address cycles, second command cycle followed by data read cycles

8. Basic read sequence with 1 command cycle, 3 address cycles, second command cycle followed by data read cycles, with 5 address cycles instead of 2 address cycles
9. Basic write sequence with command cycle, 3 address cycles, and data write cycles
10. Two command cycles, with five address cycles in between; can be used for page erase or copy back program
11. Basic read sequence with one command cycle, five address cycles, second command cycle followed by data read cycles
12. Command sequence followed by read data; can be used for read page cache
13. Write sequence used for program page
14. Alternate write sequence for program page
15. Erase block sequence with 3-address cycle for page/block address
16. Two-plane page read with two sets of address and command cycles
17. Basic read cycle with the second command cycle omitted

The generic sequences mimic almost every command supported by NAND flash devices. Each sequence (e.g., CMD3:0, DEL0, DEL1 delays and ADDR sequences) can be individually tailored to generate a wide possibility of commands for new flash devices or those with special instruction sequences:



Figure 2-12. Generic Sequence

### 2.15.1 Devices Supported

These NAND flash devices have been tested with the AR9344 NAND flash controller. Note that ONFI-compliant NAND flash devices up to 16-Gbit (2 GBytes) capacity will be supported.

Table 2-14. Supported NAND Devices

Manufacturer	Device Number	Size (Capacity)
Numonyx	NAND01GW3B2C	128 MB
	NAND02GW3B2D	256 MB
	NAND04GW3B2D	512 MB
	NAND08GW3C2B	1 GB
	NAND08GW3F2A	1 GB
Hynix	HY27UF082G2B	256 MB
	H27U1G8F2B	128 MB

### 2.15.2 Programmable NAND Interface Timing

In the available programming sequences, timing parameters can be controlled by the software for flexible programming of a variety of flash devices, as shown in Table 2-15. All parameters are in terms of the internal NAND clock period when set to 50 MHz.

Table 2-15. NAND Interface Timing

Parameter	Width	Description
TWHR	3	NAND_WE_L high to NAND_RE_L low delay
TRHW	3	NAND_RE_L high to NAND_WE_L low delay
TADL	3	NAND_ALE to data start time
TCCS	3	Change column setup time
TRWH	3	NAND_RE_L or NAND_WE_L high hold time
TRWP	3	NAND_RE_L or NAND_WE_L pulse width
TCAD	3	Command/address/data delay

Figure 2-13 shows a typical NAND flash page read cycle using sequence 17, with TADL = 0x2, TRWH = 0x1, TRWP = 0x2.

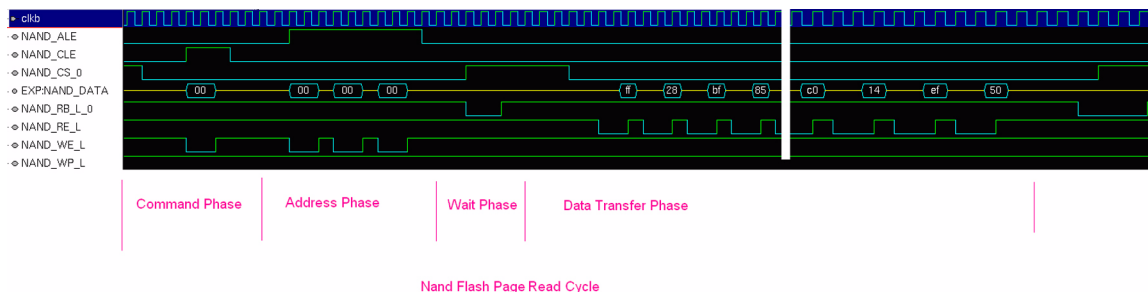


Figure 2-13. Basic Read Page Command

Figure 2-14 shows a typical NAND flash page write (program) cycle using sequence 9, with TADL = 0x2, TRWH = 0x1, TRWP = 0x2.

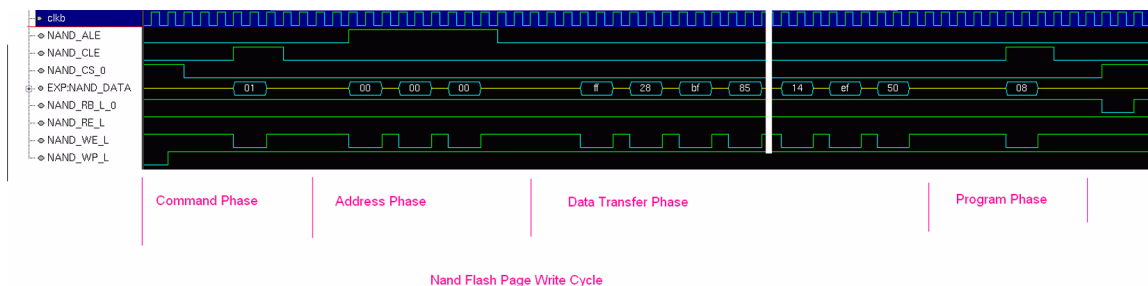


Figure 2-14. Basic Write Page Command

### 2.16 High-Speed UART Interface

The AR9344 supports a high speed Universal Asynchronous Receive and Transmit (UART) interface for connecting to high speed serial interface devices. This controller supports Tx and Rx speeds of upto 3 Mbps with RTS/CTS flow control. Data and control access is through a APB PIO interface. The UART supports a four-deep, byte-wide FIFO on both the Tx and Rx interfaces to improve throughput. The controller can be configured for either an RS232 DTE or for DCE equipment.

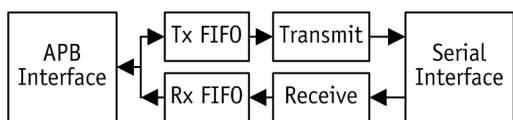


Figure 2-15. UART Block Diagram

The CPU can send and receive data through the UART using a set of control and data registers (see “UART1 (High-Speed) Registers” on page 299). A FIFO is provided on both the Tx

and Rx sides, to synchronize with the remote equipment without loss of data.

The operating mode of the UART is set using the “UART1 Configuration and Status (UART1\_CS)” register for DTE/DCE mode. Flow control using RTS/CTS can be enabled or disabled using the same register. The baud rate for transmission and reception can be set using the “UART1 Clock (UART1\_CLOCK)” register.

#### 2.16.1 Transmit (Tx)

To send data on the serial interface, the CPU checks for Tx busy in the UART1\_TX\_BUSY bit in the “UART1 Configuration and Status (UART1\_CS)” register. If Tx is idle, the CPU proceeds to write the bytes into the register “UART1 Transmit and Rx FIFO Interface (UART1\_DATA)”. The CPU can write data into the Tx FIFO (if enabled) as long as the bit TX\_BUSY is reset (idle). The written bytes are sent over the SLIC\_DATA\_OUT pin. The UART1\_TX\_CSR bit must be set to enable the Tx operation with FIFO.

### 2.16.2 Receive (Rx)

Received data is available for reading out from the UART1\_DATA register. Data availability is indicated by the UART1\_RX\_BUSY bit being set in the UART1\_CS register. Data can be read from the Rx FIFO (if enabled) as long as the bit RX\_BUSY is set. The UART1\_RX\_CSR bit must be set to enable the Rx operation with FIFO.

### 2.17 Low-Speed UART Interface

The AR9344 contains a 16550 equivalent UART controller/port for debug/console monitoring. The UART pins are multiplexed with GPIO pins. “GPIO Output” on page 53 describes the multiplexed GPIO options. The UART controller can be programmed through a set of control registers. “UART0 (Low-Speed) Registers” on page 125 defines the required registers and their descriptions for UART. The UART supports programmable baud rates and can support up to 115.2 Kbps. This UART does not support hardware flow control.

### 2.18 USB 2.0 Interface

The USB controller supports a standard USB 2.0 host or device interface, configurable using bootstraps on powerup. In USB host mode, the AR9344 can support the full number of devices/endpoints allowed in the USB 2.0 specification. It can also interface to a USB hub.

In USB device mode, the AR9344 is fully compliant to USB 2.0 specification and supports USB suspend mode. In device mode, AR9344 provides 6 end-points: 1 control endpoint and 5 endpoints configurable for bulk/isochronous/interrupt and in or out functions. See Figure 2-16.

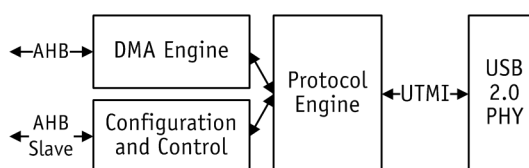


Figure 2-16. USB Interface

Table 2-16 describes the USB interface elements.

Table 2-16. USB Interface Elements

Name	Description
System Interface	The USB controller provides a AHB master interface for DMA transfer of descriptors and endpoint data between the System memory and the USB serial interface. AR9344 CPU can control the USB controller operation through an AHB Slave interface. In Host Mode, the controller registers and data structures are compliant to Intel EHCI specifications. In Device Mode of operation the controller registers and data structures are implemented as extensions to EHCI programmers interface. The AR9344 software needs to set the operation mode (Host Mode or Device mode) by writing into the CM bits of the USBMODE register. Also the bootstrap input signal GPIO20 needs to be set accordingly.
Device Data Structure	The device controller operates to transfer a request in the AR9344 system memory to and from the Universal Serial Bus. The device controller performs data transfers using a set of linked list transfer descriptors, pointed by a queue head one for each endpoint In and Out directions, The DMA engine performs master operations on the AHB system bus to transfer data to and fro.
Host Data Structure	The host data structures are used to communicate control, status, data and between software and the USB host controller. The data structure is compliant with EHCI specifications. A periodic frame list which is an array of pointers to a transfer list is used. There are Asynchronous transfer lists for bulk and control data transfers and Isochronous Transfer list for Isochronous data transfers.
XCVR Interface	The USB Controller interfaces with an on-chip USB 2.0 PHY through the UTMI standard interface.

Table 2-17 shows the USB interface signals

Table 2-17. USB Interface Elements

Name	Type	Description
USB_DP	IA/OA	USB D+ Signal
USB_DM	IA/OA	USB D- Signal

### 3. Ethernet Subsystem

#### 3.1 GMACO and GMAC1

The two AR9344 GB Ethernet MACs connect to the Ethernet WAN port and switch.

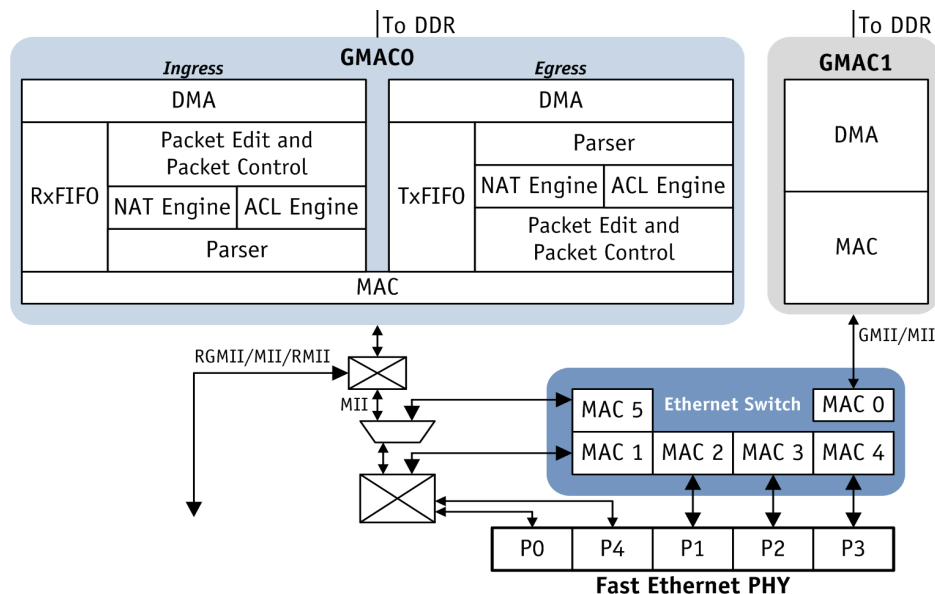


Figure 3-1. Ethernet Subsystem

GMAC1 connects to the internal Ethernet switch through a GMII or MII interface. GMAC0 connectivity can be configured multiple ways:

- GMAC0 could connect to P0 or P4 FE PHY port and GMAC1 connects to the Ethernet switch that controls rest of the 4 FE ports.
- GMAC0 connects to the MAC interface that comes out as RGMII/RMII/MII. Ethernet connects to all five FE ports of the Ethernet PHY or to only four of them.

- If none of the MAC interfaces are enabled and SW\_ONLY\_MODE is set, GMAC0 does not connect anywhere. All five PHY ports connect to the Ethernet switch.

GMAC0 is treated as a WAN port and has several Ethernet specific accelerators. Each accelerator could be separately enabled/disabled by software.

The major blocks in GMAC0 are:

Table 3-1. GMACO Blocks

Block	Description
MAC	Detects the SFD, takes care of IFG, and receives/transmits final data in MAC interface format (RGMII/MII/RMII, and so on)
Parser	Parses the incoming data (from MAC in the case of ingress, or from DMA in the case of egress), detects the packet type, and isolates all L2, L3, and L4 related fields for NAT and ACL engine.
NAT Engine	Creates the lookup table (LUT) and supports lookup, addition, and deletion of entries in the LUT for CPU and the parser.
ACL Engine	Builds the ACL rule table. From the fields generated by the parser, this block checks all of the rules and gets back with the packet drop or accept decision. If ACL is disabled, then all packets are accepted.
Packet Control/Edit Block	Maintains the packet integrity in the FIFO, takes in the result from both the NAT and ACL engines, edits the packet for NAT, and drops/queues the packet depending on ACL decisions. It also takes care of generating control signals to the MAC/DMA, enabling these blocks to transmit the packet from the FIFO.

### 3.1.1 External RGMII/RMII/MII Interface

The “Ethernet Configuration (ETH\_CFG)” register controls whether the GMAC0 Ethernet interface is RGMII, MII, or RMII:

- In RMII mode, Tx clock loops back to Rx clock in the board in Master mode.
- In RGMII mode, Tx clock comes from an internal PLL; the exact clock delay with respect to data can be modified using the ETH\_CFG ETH\_TXD\_DELAY and ETH\_RXD\_DELAY bits.
- In MII master mode, the AR9344 can source both Tx and Rx clocks. In slave mode, it expects both clocks from external sources.
- MDIO interface to external PHY registers, through dedicated EMDIO and EMDC pins. MDIO interface is controlled through the GMAC0 MII registers described in “MII Configuration” on page 311 through “MII Indicators” on page 312.

Table 3-2. GMAC Accelerator Types

Accelerator Type	Rx/Tx	Description
Ingress and Egress NAT Accelerator for IPv4	Rx/Tx	Type II/SNAP-tagged/untagged TCP/UDP/ICMP packets that can support up to 512 entries per direction. NAT is performed at wire-speed and is capable of handling GB Ethernet port maximum packet rate. See “GMAC Descriptor Structure: Rx” through “Setup and Data/Package Flow” on page 68.
Ingress and Egress ACL Accelerator	Rx/Tx	Can support up to 64 entries per direction, with each entry supporting up to 5 match commands per entry. Supports an ACL accelerator for WAN Rx and Tx traffic. Can be used in accept (default) or reject mode. See “ACL” on page 70.
QoS	Tx	Supports Tx QoS with different queues: fixed or weighted round-robin algorithms

### 3.1.2 Ingress and Egress Flow of Data and Control Information

The flow of data and control information in the GMAC ingress and egress are detailed in Figure 3-2 and Figure 3-3.

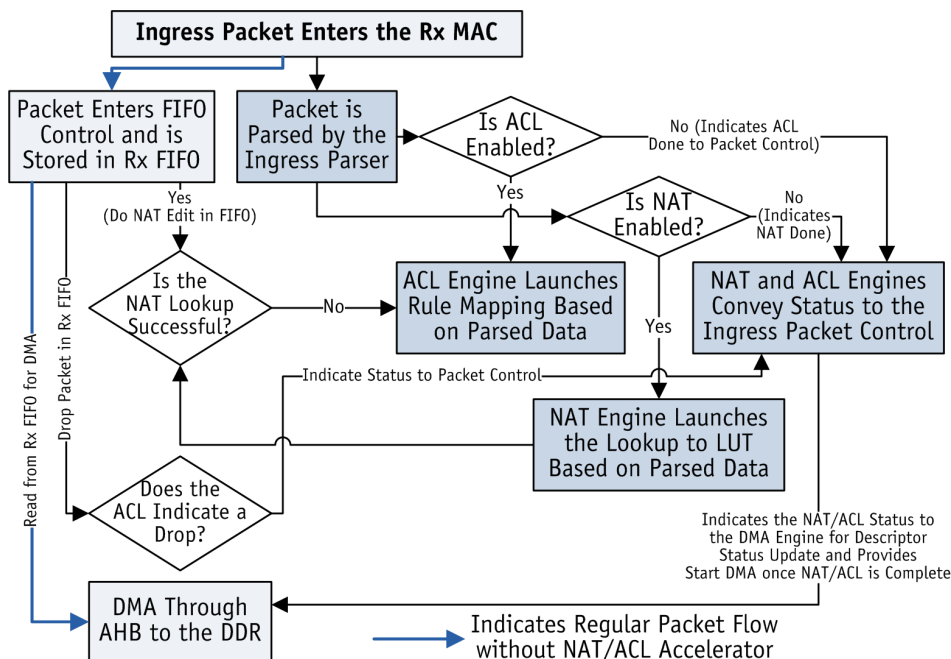


Figure 3-2. Ingress Data and Control in GMACO

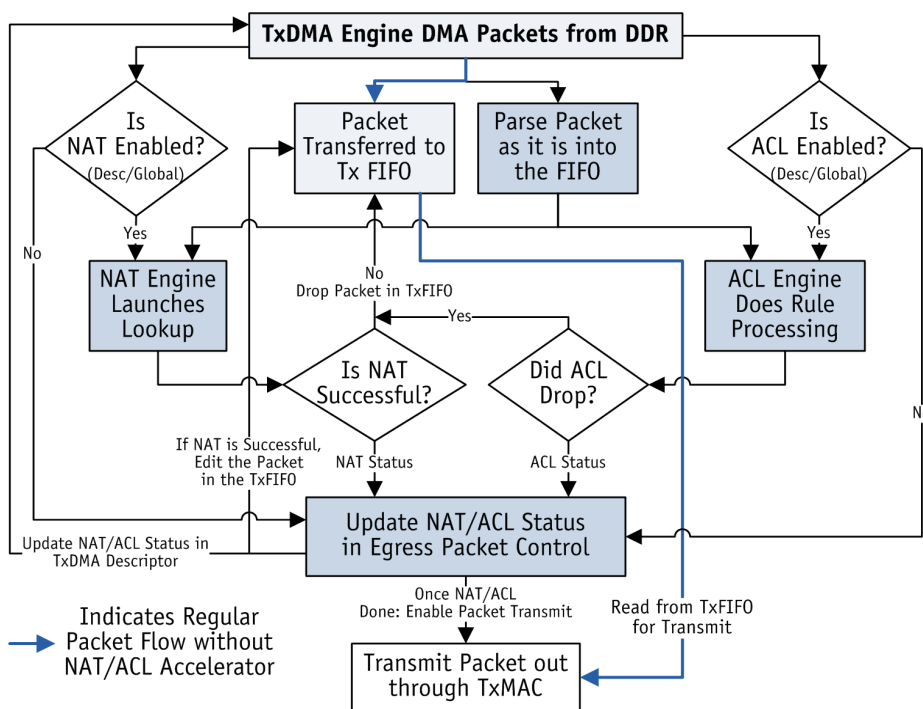


Figure 3-3. Egress Data and Control in GMACO

### 3.2 GMAC Descriptor Structure: Rx

In the Rx descriptor, each descriptor comprises a sequence of three 32-bit memory locations:

Table 3-3. Rx Descriptors

Address	Name	Description	Page
0x0	PKT_START_ADDR	Start Address for Packet Data	<a href="#">page 64</a>
0x4	PKT_SIZE	Packet Size and Flags	<a href="#">page 64</a>
0x8	NEXT_DESCRIPTOR	Next Descriptor	<a href="#">page 65</a>

#### 3.2.1 Start Address for Packet Data (PKT\_START\_ADDR)

Address Offset: 0x0

Access: Read/Write

Bit	Name	Description
31:2	PKT_START_ADDR	Top 30 bits of the packet start address. The built-in DMA controller reads this register to discover the location in host memory of the first byte of data. Note: The start addresses used in any sequence of descriptors must be spaced to add sufficient room in any location for a packet of the maximum size transferred.
1:0	RES	Ignored by the DMA controller, because it is a system requirement that all transfers are 32-bit aligned in host memory. Default is 0.

#### 3.2.2 Packet Size and Flags (PKT\_SIZE)

Address Offset: 0x4

Access: See fields descriptions

Bit	Name	Access	Description				
31	EMPTY_FLAG	R/W	This bit indicates the availability of the specified location to store the received packet. Setting this flag validates the descriptor. This bit is also called the OWN (ownership) bit. Note: On successful completion of an Rx operation, the DMA controller writes 0 to this location to indicate that this location has been used to store the received packet. This action ensures that received data is not accidentally overwritten by a subsequent packet.				
30	NAT_STATUS	RO	Set by the DMA controller indicating the NAT Status for the packet. <table border="1"> <tr> <td>0</td> <td>NAT operation is not done. Valid only if Ingress NAT functionality is enabled.</td> </tr> <tr> <td>1</td> <td>Successfully NAT edit.</td> </tr> </table>	0	NAT operation is not done. Valid only if Ingress NAT functionality is enabled.	1	Successfully NAT edit.
0	NAT operation is not done. Valid only if Ingress NAT functionality is enabled.						
1	Successfully NAT edit.						
29:28	RES	RO	Reserved				
27:26	SW_STATUS	RO	Provides the software status bits loaded into the LUT for the connection that the packet belongs to.				
25	NAT_UNSUPPORTED	RO	Indicates an ERROR status for NAT because the packet is unsupported <table border="1"> <tr> <td>0</td> <td>Supported packet type</td> </tr> <tr> <td>1</td> <td>Unsupported packet type; valid only if NAT_STATUS is set to 0 and ingress NAT functionality is enabled</td> </tr> </table>	0	Supported packet type	1	Unsupported packet type; valid only if NAT_STATUS is set to 0 and ingress NAT functionality is enabled
0	Supported packet type						
1	Unsupported packet type; valid only if NAT_STATUS is set to 0 and ingress NAT functionality is enabled						
24	PER_PKT_INTR_EN	R/W	When set to 1 by software, the DMA controller generates an interrupt to the CPU after successful completion of the packet DMA.				
23	FRG	RO	Indicates whether this packet is fragmented				
22:14	RES	RO	Reserved				
13:0	PKT_SIZE	R/W	The DMA controller writes the number of bytes received to this field; the value of this field prior to the transfer being made is ignored.				



### 3.2.3 Start Address Packet Data (PKT\_START\_ADDR)

Address Offset: 0x0

Access: Read/Write

Bit	Name	Description
31:2	DESCRIPTOR_ADDR	Top 30 bits of Packet the descriptor address. The built-in DMA controller reads this register to discover the location in host memory of the descriptor for the next packet in the sequence. The descriptors should form a closed linked list.
1:0	RES	Ignored by the DMA controller because it is a requirement of the system that all descriptors are 32-bit aligned in host memory. Default is 0.

### 3.3 GMAC Descriptor Structure: Tx

In the Tx descriptor, each descriptor comprises a sequence of three 32-bit memory locations:

Table 3-4. Tx Descriptors

Address Offset	Name	Description	Page
0x0	PKT_START_ADDR	Start Address for Packet Data	<a href="#">page 65</a>
0x4	PKT_SIZE	Packet Size and Flags	<a href="#">page 66</a>
0x8	NEXT_DESCRIPTOR	Next Descriptor	<a href="#">page 66</a>

#### 3.3.1 Start Address for Packet Data (PKT\_START\_ADDR)

Address Offset: 0x0

Access: Read/Write

Bit	Name	Description
31:2	PKT_START_ADDR	Top 30 bits of the packet start address. The built-in DMA controller reads this register to discover the location in host memory of the first byte of data. Note: The start addresses used in any sequence of descriptors must be spaced to add sufficient room in any location for a packet of the maximum size transferred.
1:0	RES	Ignored by the DMA controller, because it is a system requirement that all transfers are 32-bit aligned in host memory. Default is 0.

### 3.3.2 Packet Size and Flags (PKT\_SIZE)

Address Offset: 0x4

Access: See fields descriptions

Bit	Name	Access	Description
31	EMPTY_FLAG	R/W	This bit indicates the availability of the specified location to store the received packet. Setting this flag validates the descriptor. Note: On successful completion of an Rx operation, the DMA controller writes 0 to this location to indicate that this location has been used to store the received packet. This action ensures that received data is not accidentally overwritten by a subsequent packet.
30	PER_PACKET_NAT_ENABLE	R/W	Used to control NAT function for Tx Packets on per-packet basis.
			0   The Tx packet bypasses the egress NAT Engine. Valid only if egress NAT is enabled.
29	PER_PACKET_ACL_ENABLE	R/W	Used to control ACL function for Tx Packets on per-packet basis.
			0   The Tx packet bypasses the egress ACL Engine. Valid only if egress ACL is enabled.
28	NAT_STATUS	RO	Set by the DMA controller indicating the NAT Status for the packet.
			0   NAT unsuccessful. Valid only if the egress NAT functionality is enabled and PER_PACKET_ACL_ENABLE is set.
27	ACL_STATUS	RO	Set by the DMA controller indicating the ACL Status for the packet.
			0   ACL allow. Valid only if the egress ACL functionality is enabled and PER_PACKET_ACL_ENABLE is set.
26	FRG	R/W	Indicates whether the current packet is fragmented.
25	NAT_UNSUPPORTED	RO	Indicates an ERROR status for NAT because the packet is unsupported
			0   Supported packet type
24	PER_PKT_INTR_EN	R/W	When set to 1 by software, the DMA controller generates an interrupt to the CPU after successful completion of the packet DMA.
			1   Unsupported packet type; valid only if NAT_STATUS is set to 0 and egress NAT functionality is enabled
23:14	RES	WO	Reserved; must be set to 0.
13:0	PKT_SIZE	R/W	The DMA controller writes the number of bytes received to this field: the value of this field prior to the transfer being made is ignored.

### 3.3.3 Start Address Packet Data (PKT\_START\_ADDR)

Address Offset: 0x0

Access: Read/Write

Bit	Name	Description
31:2	DESCRIPTOR_ADDR	Top 30 bits of Packet the descriptor address. The built-in DMA controller reads this register to discover the location in host memory of the descriptor for the next packet in the sequence. The descriptors should form a closed linked list.
1:0	RES	Ignored by the DMA controller because it is a requirement of the system that all descriptors are 32-bit aligned in host memory. Default is 0.

### 3.4 NAT LUT Structure: Ingress and Egress

The ingress and egress NAT engines contain a lookup table (LUT) supporting up to 512 entries for ingress and 512 entries for egress and built by sets of KEY+INFO fields. Note:

- The CPU can lookup, insert, or delete an LUT entry, or it can initialize the LUT.
- The rising edge of the REQ is recognized as a new request. Setting the INIT bit initializes whole of the ingress LUT.
- The CPU can add or delete an LUT entry. If the INSERT\_STATUS bit is set to one, the insert was successful. If it is unsuccessful, the reason for failure is indicated in BUCKET\_FULL or BINS\_FULL. It is possible for a particular bin to fill, in which case it is unable to add an LUT entry.

If the entry's KEY that they CPU is trying to add is already present in the LUT, only the INFO field is updated and the bit DUPLICATE\_KEY is set in IG\_CPU\_REQ\_STATUS.

Table 3-5. NAT LUT Structure

Ingress		
TCP/UDP Key[19:0] + TCP/UDO Info[100:0]		
		KEY+INFO Constituent
KEY[19:0]	1:0	L3_DST_ADDR_ID
	1:0	PRTCL
	15:0	L4_SKTNO
INFO[100:0]	1:0	SW_BITS <sup>[1]</sup>
	3:0	L4_CONN_STATE <sup>[2]</sup>
	47:0	L2_MAC_ADDR
	15:0	L4_SEQ_ID
	31:0	LCL_IP_ADDR
ICMP Key[19:0] + ICMP Info[100:0]		
		Registers Used to Program KEY+INFO
KEY[19:0]	1:0	L3_DST_ADDR_ID
	1:0	PRTCL
	15:0	ICMP_SEQ_ID
INFO[100:0]	1:0	SW_BITS <sup>[1]</sup>
	3:0	L4_CONN_STATE <sup>[2]</sup>
	47:0	L2_MAC_ADDR
	15:0	L4_SEQ_ID
	31:0	LCL_IP_ADDR
IG Key[19:0] + IG Info[100:0]		
		Registers Used to Program KEY+INFO
KEY[19:0]	19:0	IG_KEY_DW0
INFO[100:0]	31:0	IG_INFO_DW0
	31:0	IG_INFO_DW1
	31:0	IG_INFO_DW2
	4:0	IG_INFO_DW3

Egress		
TCP/UDP Key[49:0] + TCP/UDO Info[23:0]		
KEY[49:0]	31:0	L3_SRC_ADDR
	1:0	PRTC
	15:0	ICMP_DEQ_ID
INFO[23:0]	0:0	SW_BITS <sup>[1]</sup>
	4:0	L4_CONN_STATE <sup>[2]</sup>
	1:0	GLOBAL_IP_INDEX
	15:0	L4_DST_SEQ_NUM
ICMP Key[49:0] + ICMP Info[23:0]		
KEY[49:0]	31:0	L3_SRC_ADDR
	1:0	PRTC
	15:0	ICMP_SEQ_ID
INFO[23:0]	0:0	SW_BITS <sup>[1]</sup>
	4:0	L4_CONN_STATE <sup>[2]</sup>
	1:0	GLOBAL_IP_INDEX
	15:0	L4_SEQ_ID
Registers Used to Program KEY+INFO		
IG Key[19:0] + IG Info[100:0]		
KEY[49:0]	17:0	EG_KEY_DW
	31:0	EG_KEY_DW0
INFO[23:0]	23:0	EG_INFO_DW0

[1]Software bits: descriptor fields update with these bits if the current packet hits this LUT entry.

[2]Used by the ACL engines to realize the rules based on the L4 connection state. Thus states are hot encoded and software can match it on a per-bit basis.

Each entry has an associated free running age timer's timestamp field. When an entry is hit, the timestamp for that entry is updated with the current timestamp. Timer resolution is software configurable; hardware periodically scans all entries timestamps, and ages out the ones that exceeded their limits.

The LUT is totally configured by the CPU. Entries are added by software as sessions are set up (TCP/UDP/ICMP).

- The CPU uses the register IG\_CPU\_REQ/EG\_CPU\_REQ for any LUT operation. The CPU operation results to insert/lookup/delete an entry return using the register IG\_CPU\_REQ\_STATUS/EG\_CPU\_REQ\_STATUS. Once REQ\_DONE is set, it implies the other register fields are valid for the request initiated:

COMMAND[2:0]	INIT	REQ	PKT_TYPE
0b2: Lookup	1: Init LUT	New Request	00: TCP
0b3: Insert			01: UDP
0b4: Delete			02: ICMP

### 3.5 Hardware Ager: Ingress and Egress

The hardware-based ager counter ticks generate periodically. For every tick, all LUT entries are scanned. If any entry's timestamp is off by more than the specified maximum timeout, it deletes the entry. The deleted entry is logged in a FIFO, which is visible to the CPU through IG\_AGER\_FIFO/EG\_AGER\_FIFO. If the FIFO is not empty, the CPU can issue a read to delete the entry KEY in IG\_AGER\_KEY\_DW0/EG\_AGER\_KEY\_DW0.

Once ager registers are initialized:

- IG\_AGER\_TICK/EG\_AGER\_TICK indicate the of REF\_CLK (25 or 40 MHz) pulses/ms.
- IG\_AGER\_TIME\_OUT/EG\_AGER\_TIME\_OUT defines the maximum timeout for TCP, UDP, and ICMP separately in terms of IG\_AGER\_TICK/EG\_AGER\_TICK.
- The hardware-based AGER can be disabled in bit [0] of IG\_AGER\_FIFO/EG\_AGER\_FIFO.
- If more than 4 entries are deleted, an interrupt is generated to the CPU.
- Once an entry is deleted from the LUT, all packets for its KEY send with a NAT\_STATUS of 0.

### 3.6 Setup and Data/Packet Flow

#### 3.6.1 Ingress

IG\_NAT\_CSR controls ingress NAT as it has ingress NAT enable, per-field edit enable, data swap, and other ACL global matching rules. Pass unedited fragmented packets to the CPU by setting IG\_NAT\_FRAG\_EDIT to 1 (setting to 0 is not recommended). Software creates the LUT when:

- New TCP connections are established
- An ingress UDP data connection is known
- An ICMP ping request is sent out and packets expected at ingress.

Software sets up the descriptors for Rx packets. Upon receiving a packet:

- Hardware parses and extracts packet fields, forms the KEY, and performs a LUT lookup
- If a lookup results in a hit, INFO is retrieved from the LUT. The packet is edited for the fields that are edit enabled.
- If a lookup results in a miss, hardware updates NAT\_STATUS to 0.
- If the packet is fragmented, the FRG bit in the descriptor status word is set.
- If NAT is unsuccessful because the packet is not recognized by hardware, the descriptor status word bit NAT\_UNSUPPORTED sets.

Software looks at the descriptor status field once it detects the ownership (OWN) bit cleared, it looks at the status fields to decide whether software-based NAT is needed or if hardware has already done NAT for this packet.

- If the NAT\_STATUS bit is set, the hardware NAT was successful.
- If the NAT\_STATUS bit is not set, software must do the NAT for this packet.
  - If FRG is set, the packet was fragmented.
  - If NAT\_UNSUPPORTED is set, hardware did not recognize the packet type. If it is 0, this packet had no NAT entry. The CPU processes the packet then builds the NAT table if necessary (e.g., for unprogrammed entries when too many sessions are in progress).
  - If PER\_PKT\_INTR\_EN is set, it causes an interrupt to the CPU once the packet is sent to the DDR.

### 3.6.2 Egress

EG\_NAT\_CSR controls egress NAT as it has ingress NAT enable, per-field edit enable, data swap, and other ACL global matching rules.

By default, ingress NAT edits the fields L2\_DST\_ADDR, L2\_SRC\_MAC\_ADDR, L3\_DST\_ADDR, and L4\_DST\_SOCKET. It also computes and updates incremental CHECKSUM.

Because L3\_SRC\_ADDR is the IP address of this WAN port, it is assumed to be only one of the four values set in the Local Global IP Address 0, 1, 2, 3 registers. These addresses index to 0, 1, 2, and 3 and are populated by the CPU while adding the entry.

Pass unedited fragmented packets to the CPU by setting EG\_NAT\_FRAG\_EDIT\_DISABLE to 1 (setting to 0 is not recommended). Software creates the LUT when:

- New TCP connections are established
- An ingress UDP data connection is known
- An ICMP ping request is sent out and packets expected at ingress.
- Software sets up the Tx packet descriptors. If, while deciding whether to forward to the WAN port, software already knows if the packet is unsupported (e.g. a fragmented or IPv6 packet), it can disable the hardware-based NAT for this packet by setting the bit PER\_PKT\_NAT\_ENABLE to 0. Otherwise software can blindly the packet to transmit.
- Upon receiving a packet from the DDR, if the PER\_PKT\_NAT\_ENABLE is set:
  - Hardware parses and extracts packet fields, forms the KEY, and performs a LUT lookup
  - If a lookup results in a hit, INFO is retrieved from the LUT. The packet is edited for the fields that are edit enabled.
  - If a lookup results in a miss, hardware updates NAT\_STATUS to 0.
  - If the packet is fragmented, the FRG bit in the descriptor status word is set.
  - If NAT is unsuccessful because the packet is not recognized by hardware, the descriptor status word bit NAT\_UNSUPPORTED sets.

Software could queue the packet to be transmitted out of the WAN port by default. When the ownership (OWN) bit of the descriptor is cleared by hardware, it can look at the descriptor status word to decide whether software-based NAT is required or hardware has already done NAT for this packet.

- If the NAT\_STATUS bit is set (and PER\_PKT\_NAT\_ENABLE was set by the CPU for this packet), the hardware NAT was successful and the packet is sent.
- If PER\_PKT\_NAT\_ENABLE is not set by the CPU, hardware unconditionally transmits the packet.
- If the NAT\_STATUS bit is not set (and PER\_PKT\_NAT\_ENABLE is set), the packet is not sent. Hardware just updates the status word of the descriptor and proceeds processing the next packet. In this case, software does the appropriate processing.
  - If either NAT\_UNSUPPORTED or FRG is set, software must do the NAT for this packet and requeue this packet with PER\_PKT\_NAT\_ENABLE set to 0.
  - If either NAT\_UNSUPPORTED or FRG is not set but NAT\_STATUS is 0, then hardware LUT lookup failed for this packet. CPU can check whether an entry must be added. After addition it can requeue this packet.
- The descriptor has a per-packet interrupt bit which, if set, causes an interrupt to the CPU once the packet is completely fetched from the DDR and processed by hardware. For example, this bit can be sent every 10 descriptors in a ring to indicate the CPU often enough, but not every packet.

## 3.7 ACL

### 3.7.1 ACL Data Structure

Ingress and egress ACLs have the same structures, but separate enables. ACL rules are a combination of the entries, each of which is a combination of the CMD\_DATA+OPCODE structure. Table 3-8 defines supported OPCODES, including their widths.

Table 3-6. CMD\_DATA, OPCODE Structure

Ingress		
<b>CMD_DATA[63:0]</b>	63:0	IG_ACL_OPERAND1, IG_ACL_OPERAND0
<b>OPCODE[33:0]</b>	33:0	IG_ACL_CMD1234
	4:0	OP4
	4:0	OP3
	4:0	OP2
	4:0	OP1
	4:0	OP0
		IG_ACL_CMD0_ACTION
	4:0	NEP
	0:0	A
	0:0	R
	0:0	L
	0:0	H
	Egress	
<b>CMD_DATA[63:0]</b>	63:0	EG_ACL_OPERAND1, EG_ACL_OPERAND0
<b>OPCODE[33:0]</b>	33:0	EG_ACL_CMD1234
	4:0	OP4
	4:0	OP3
	4:0	OP2
	4:0	OP1
	4:0	OP0
		EG_ACL_CMD0_ACTION
	4:0	NEP
	0:0	A
	0:0	R
	0:0	L
	0:0	H

Table 3-7. ACL Rule Structure Example

	Size	Entry 1	...	Entry 10
<b>H (Head Entry)</b>	1	1	...	0
<b>L</b> <sup>[1]</sup>	1	1	...	0
<b>R (Reject)</b> <sup>[2]</sup>	1	0	...	—
<b>A (Accept)</b> <sup>[2]</sup>	1	1	...	—
<b>NEP (Next Entry Pointer)</b>	5	10	...	—
	5	OP1	...	OP20
	5	OP2	...	OP21
	5	OP3	...	OP22
	5	OP4	...	—
<b>OPCODE</b> <sup>[3]</sup>	5	OP5	...	—
	32	CD1	...	CD20
	16	CD3	...	—
<b>CMD_DATA</b>	16	CD4	...	CD23
	8	CD5	...	—

[1]If L is set, this entry is linked to another entry as indicated by NEP. When more than one entry is linked, the result of each entry is ANDed.

[2]Only A or R can be set; if one is set to 0, the other must be set to 1. A/R is valid only for entries where H is set.

[3]The data definition is fixed for each OPCODE. The maximum number of OPCODEs per entry is 5. If any OPCODE is 0Red, then both sides of the OR cannot have a NULL command.

The total number of entries is 64 per direction.

The width of the OPCODEs are fixed at 5 bits; the width of all the OPCODEs in an entry is also fixed at 5 bits.

Depending on the OPCODE, the associated CMD\_DATA is interpreted as described in Table 3-8.

CMD\_DATA occurs in the same sequence as the OPCODE. It is interpreted based on the five OPCODES or commands.

Table 3-8. ACL OPCODE Definitions

OpCode	Quantized Data Width	ACL Field Definition	CmdData		Comments	
			OpD1 Width	OpD2 Width		
0	0	NOP	0	0	Used to fill up unused commands	
1	48	L2_DST_MAC_ADDR	48	0	Exact match of L2_DST_MAC_ADDR	
					OpD1	L2 MAC_ADDR
					OpD2	NULL
2	48	L2_SRC_MAC_ADDR	48	0	Exact match of L2_SRC_MAC_ADDR	
					OpD1	L2 MAC_ADDR
					OpD2	NULL
3	16	L2_ETHERTYPE	16	0	Exact match of L2_ETHERTYPE	
					OpD1	EtherType to be matched
4	16	L2_VLAN	12	0	Exact match of L2 VLAN tag	
					OpD1	EtherType to be matched
5	48	L3_IP_DST_ADDR	32	6	Prefix-based range	
					OpD1	IP address
					OpD2	Number of MSB bits to match
6	48	L3_IP_SRC_ADDR	32	6	Prefix-based range	
					OpD1	IP address
					OpD2	Number of MSB bits to match
7	48	L3_IP_DST_ADDR + L3_PRTCTL TCP/UDP/ICMP	32	9	Prefix-based range	
					OpD1	IP address
					OpD2	[5:0]
[8:6]	TCP, UDP, ICMP					
8	48	L3_IP_SRC_ADDR + L3_PRTCTL TCP/UDP/ICMP	32	9	Prefix-based range	
					OpD1	IP address
					OpD2	[5:0]
[8:6]	TCP, UDP, ICMP					
9	16	L3_IP_TOS	8	8	Bit-wise masking	
					OpD1	ToS to be matched with
					OpD2	ToS bits to be enabled for match
10	8	L3_PROTOCOL TCP/UDP/ICMP	3	0	One bit each for TCP/UDP/ICMP	
11	8	L3_PROTOCOL Other	8	0	Exact match of only one protocol value	
					OpD1	Protocol Number to be matched with
12	32	L4_DST_PORT	16	16	Specifies L4_DST_PORT range Start2End port numbers	
					OpD1	End port number
					OpD2	Start port number
13	32	L4_SRC_PORT	16	16	Specifies L4_SRC_PORT range Start2End Port numbers	
					OpD1	End port number
					OpD2	Start port number

Table 3-8. ACL OPCODE Definitions (continued)

OpCode	Quantized Data Width	ACL Field Definition	CmdData		Comments	
			OpD1 Width	OpD2 Width		
14	32	L4_DST_PORT2	16	16	Specifies L4_DST_PORT2 match (two port numbers)	
					OpD1	L4 port number 1
					OpD2	L4 port number 2
15	32	L4_SRC_PORT2	16	16	Specifies L4_SRC_PORT2 match (two port numbers)	
					OpD1	L4 port number 1
					OpD2	L4 port number 2
16	16	L4_TCP_FLAGS	8	8	Indicates masked match of flag field	
					OpD1	Per-bit enable
					OpD2	TCP flag field to be matched
17	8	L3_ICMP_TYPE	8	0	Exact match	
					OpD1	ICMP type field
18	16	L3_ICMP_CODE	8	8	Mask based match	
					OpD1	ICMP code
					OpD2	ICMP code per bit enable
19	8	L4_CONNECTION_STATE	5		One bit for each state; the rule matches any state for which bits are set	
29:20	—	RES	Reserved			
30	8	OR	All conditions between two OR are understood as AND			

CDATA = {OpD2, OpD1:  
 CDATA forms the data part of the OPCODE

### 3.7.2 Global Rules

Apart from the ACL table rules, more generic global rules are also possible:

- In the ingress ACL, drop any packet not from the next hop router L2 MAC address. This rule is valid if a WAN port is connected to a upstream next hop router.
- If NAT lookup fails in ingress, then:
  - Allow/drop only TCP packets with the SYN bit set.
  - Allow/ drop TCP packets with the SYN+ACK bits set (new request/ACK).
  - Allow packets, but update the descriptor with NAT\_FAILED. This scenario occurs when the NAT table is full and software must support more connections.
- If ICMP packets are received, follow the setup from the IG\_NAT\_CSR register:
  - Allow or drop the message if it is not a reply (0x0).
  - Allow or drop the message if it is not a request (0x8).



### 3.7.3 Entry Programming

An entry is programmed as follows:

- Each simple rule can have a maximum of 5 commands or 64 OPERAND bits.
- Multiple simple rules can be chained to form a complex rule. A rule has a head entry containing a link with NEP set to the entry to which it is linked. Any number of entries can link together to form one rule.
- Each Rule is associated with an action. The accept/reject action in the entry with the head bit set is taken as the action associated with the rule. Actions in the non-head linked rules are ignored.
- For all simple rules, a head bit is always set. For complex rules, the first rule in the chain has the head bit set.
- For all simple rules, the link bit is always unset. For complex rules, as long as the chain has more rules, the link bit is set. The last rule in the chain has this bit unset.
- When the link bit is set, the NEP bits point to a valid rule in the list of programmed rules. The rule pointed to by NEP is the next rule in the chain forming the complex rule.
- The rules are programmed in the order of their priority. Lower rules in table are of lesser priority than the higher ones.
- The rule action should generally negate the global ACL rule. The global rule can be enabled to drop all packets or accept all packets.
- Ingress ACL is enabled through the register IG\_ACL\_CSR. Egress ACL is enabled through the register EG\_ACL\_CSR.
- The registers IG\_ACL\_MEM\_CONTROL and EG\_ACL\_MEM\_CONTROL:
  - Determine whether the packet be is accepted or dropped, if none of the rules in the ACL is hit
  - Initialize the ACL
  - Determine whether the generic global drop rules are enabled.
- If the ACL is being dynamically enabled or disabled, a particular sequence of steps must be performed.
- If more than one rule is hit and the actions are different, the rule with the higher rule number takes effect.
- Note that the NOP should not be part of the OR command.

### 3.7.4 ACL Programming and Software Flow

#### To Program an Entry into the ACL Table:

1. Populate the CMD0\_AND\_ACTION, CMD1234, OPERAND0, and OPERAND1 registers with the actual rules and actions.
2. Set the rule location and write bit of MEM\_CONTROL then wait for the ACK. Repeat until all but the last rule is added.
3. For the last rule, set the rule location, write bit, the last rule bit (bit [10]), and global rule preferences of MEM\_CONTROL. Wait for the write ACK and RULE\_MAP\_DONE (bit [11]) to set themselves. For example:
  - To write a non-last rule to location 10, set MEM\_CONTROL to 0x10A and wait for (MEM\_CONTROL+0x200) to be true.
  - To write the last rule in location 10 to enable the global drop rule, set MEM\_CONTROL to 0x350A and wait for a true (MEM\_CONTROL+0xA00).

#### To Set Up Software Flow:

1. Upon reset, enable ingress and egress ACL.
2. For ingress, if ACL is used without NAT, bit [3] of IG\_NAT\_STATUS must be set. For egress, if ACL is used without NAT, bit [31] of EG\_ACL\_STATUS must be set.
3. Update the IG\_ACL\_MEM\_CONTROL/EG\_ACL\_MEM\_CONTROL register.
  - Each modification causes internal logic to evaluate and act on the register.
  - This register sets the global rules and programs a rule to the table. Rules are written one at a time using these bits:

Bit	Description
5:0	Indicates the location to write a rule to.
8	If set, writes the register contents to the ACL table location indicated by bits [5:0]. If not set, reads the rule at that location into the register.
9	Acknowledges completion of the read/write action initiated by bit [8].
10	Constructs the ACL table; should be set when the current rule is the last rule to program to the entire ACL table (it does not need to be set for the last rule in a linked rule).
11	Acknowledges the construction of the internal rule map initiated by setting bit [10].
12	Enables a global packet drop. If set, drops all packets from Tx/Rx if no ACL rules are hit.
13	Enables the action in bit [12]. If not set, the decision is made based on programmed rules.
14	If set, initializes the ACL by setting all rules to NOPs. Once this bit reverts to 0, the ACL is fully initialized.

4. The higher the rule number, the greater its priority. Sequence the rules from general to higher priority. Program all ACL rules.
5. Enable packet flow.
6. For ingress, ACL dropped packets are silent drop (not seen by the CPU).  
For egress, check the egress ACL descriptor status word to check if the ACL engine dropped the egress packet.
7. If complex rules are used, even if only one rule is added, reinitialize all rules then write to the bit `IG_ACL_LAST_ENTRY` in `IG_ACL_MEM_CONTROL`, making hardware recompute the ACL table.
8. Software must enter the correct entry in bits [5:0] in the `IG_ACL_MEM_CONTROL`/`EG_ACL_MEM_CONTROL` register.
9. For ingress, packets are silently dropped. For egress, a packet is dropped and the descriptor status field updates with the ACL status.
10. If the ACL table must be changed, this sequence must be followed:
  - a. Pause the Rx/Tx.
  - b. Wait for the packets to flush from the system.
  - c. Reprogram the ACL table.
  - d. Reenable Rx/Tx for ingress/egress.

#### To Set Up Ingress:

1. Disable packets from reaching the ingress FIFO by setting `ETH_IG_NAT_STATUS` bit [31], `FRONTEND_DROP_ENABLE`. Do not unset `CHECKSUM_ENABLE` (bit [3]) when enabling the front-end packet drop.
2. Wait for the FIFO to clear the existing rules by watching bits [26:16] of `XFIFO_DEPTH`.
3. Disable ACL by setting bit [0] of the `IG_ACL_STATUS` register.
4. Program the rules. The steps to program a rule are the same for egress and ingress.
5. For a new rule added without affecting existing rules, only the new entry can be programmed. For a new complex rule with multiple entries, it is recommended to do a `IG_ACL_INT`/`EG_ACL_INT` and reprogram all entries.
6. Reenable ACL by unsetting bit [0] of `IG_ACL_STATUS`.
7. Unset the `FRONTEND_DROP_ENABLE` bit to allow packets to reach the RX FIFO.

#### To Set up Egress:

1. Pause packets from Tx by setting the `DMA_PAUSE` (bit [30]) in `FREE_TIMER` (0x1B8 offset from `GMAC_GE0_BASE`).
2. Wait for Tx FIFO to empty to ensure all packets in the FIFO flush properly with the existing rules. FIFO empty is determined by `XFIFO_DEPTH` (0x1A8 offset from `GMAC_GE0_BASE`) bits [11:0].
3. Disable the ACL by setting the bit [0] of `EG_ACL_STATUS`. Do not unset the bit [31] of this register when disabling ACL.
4. Program the rules. The steps to program a rule are the same for egress and ingress.
5. For a new rule added without affecting existing rules, only the new entry can be programmed. For a new complex rule with multiple entries, it is recommended to do a `IG_ACL_INT`/`EG_ACL_INT` and reprogram all entries.
6. Reenable ACL by unsetting bit [0] of `EG_ACL_STATUS`. Do not unset bit [31] of this register when enabling ACL.
7. Unset the `DMA_PAUSE` bit to resume Tx with the new rules.

### 3.8 Ethernet Switch

The AR9344 integrates a 5-port fast Ethernet switch with these features:

- 802.3az (energy efficient Ethernet) compliant
- QoS support with four traffic classes based on arrival port, IEEE802.1p, IPv4 TOS, IPv6 TC and Destination MAC Address
- Supports strict priority, WRR, and mixed mode (1 SP + 3 WRR or 2 SP + 2 WRR)
- Full IEEE 802.1Q VLAN ID processing per port and VLAN tagging for 4096 VLAN IDs; and port based VLANs supported
- Support VLAN tag insert or remove function on per-port basis
- Support QinQ double tag, and 16 entry of VLAN translation table
- IGMPv1/v2/v3 and MLDv1/v2 Snooping with hardware join and fast leave function
- Support 32 ACL rules/rule-based counters
- Support 16 PPPoE sessions header remove
- Port states and BPDU handling support IEEE802.1D spanning tree protocol
- High performance lookup engine with 1024 MAC address with automatic learning and aging and support for static addresses
- Support 40 MIB counters per port
- Autocast MIB counters to CPU port
- Support ingress and egress rate limit
- Broadcast storm suppression
- Supports port mirror
- Support MAC and PHY loopback function for diagnosis
- Fully compliant with IEEE 802.3/802.3u auto-negotiation function
- Flow control fully supported IEEE 802.3x flow control for full duplex and back pressure for half duplex
- Supports port lock function
- Supports hardware looping detection
- Power saving on no link and low traffic rate for 10Base-T
- Access to switch internal registers through dedicated internal MDIO interface. The internal MDIO interface is controlled through GMAC1 MII registers described in “MII Configuration” on page 311 through “MII Indicators” on page 312.

### 3.9 Five-Port Ethernet Switch

The Ethernet switch is a highly integrated two-Gb MAC plus 5-port fast Ethernet switch with non-blocking switch fabric, a high-performance lookup unit with 1024 MAC address, 4096 VLAN table, 32 ACL rule table, and a 4-traffic class QoS engine. It supports various networking applications as well as many offload functions to increase system performance. The fast Ethernet in the Ethernet switch complies with IEEE 802.3 standards. The Ethernet switch implements power saving to facilitate low power consumption and is designed to work in all environments. True Plug-n-Play is supported with auto-crossover, auto-polarity, and auto-negotiation in PHYs.

#### 3.9.1 Overview

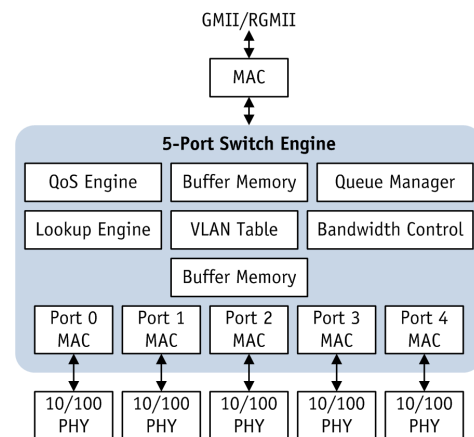


Figure 3-4. 5-Port Ethernet Switch

The 5-port Ethernet switch supports many operating modes configurable using the MDC/MDIO interface and controlled by GMAC1 management interface registers. It also supports a CPU header mode that appends two bytes to each frame. The CPU can use headers to configure the switch register, address lookup table, VLAN, and receive auto-cast MIB frames. The fifth port (PHY4) supports a PHY interface as a WAN port. The first port (port0) supports a MAC interface and can be configured in GMII-PHY or RGMII-PHY mode to connect to an external management CPU or an integrated CPU in a routing or xDSL/802.11n/PON engine. The Ethernet switch contains a 2-K entry address lookup table with two entries per bucket to avoid hash collision and maintain non-blocking forwarding performance. The address table provides read/write access from the serial and CPU interfaces; each entry can be configured as a static entry.

The Ethernet switch supports 4096 VLAN entries configurable as port-based VLANs or 802.1Q tag-based VLANs. It also supports a QinQ function and VLAN translation.

To provide non-blocking switching performance in all traffic environments, the Ethernet switch supports several QoS function types with four-level priority queues based on port, IEEE 802.1p, IPv4 DSCP, IPv6 TC, 802.1Q VID, MAC address, or ACL layer 1 to layer 4 rule result. Included back pressure and pause frame-based flow control schemes support zero packet loss in temporary traffic congestion. The QoS switch architecture supports ingress policing and egress rate limiting.

The Ethernet switch supports IPv4 IGMP snooping and IPv6 MLD snooping to significantly improve the performance of streaming media and other bandwidth-intensive IP multicast applications. The Ethernet switch also supports PPPoE header remove for multicast stream within 16 PPPoE session. That can offload the CPU loading and improve the system performance.

IEEE 802.3x full duplex flow control and back-pressure half duplex flow control schemes are supported to ensure zero packet loss during temporary traffic congestion. A broadcast storm control mechanism prevents the packets from flooding into other parts of the network. The Ethernet switch device has an intelligent switch engine to prevent head-of-line blocking problems on a per-CoS basis for each port.

### 3.9.2 Basic Switch Operation

The Ethernet switch automatically learns the port number of an attached end station by looking at the source MAC address of all incoming packets at wire speed. If the source address is not found in the address table, the Ethernet switch device adds it to the table. Once the MAC address/port number mapping is learned, all packets directed to that end station MAC address are forwarded to the learned port number only. When the Ethernet switch device receives incoming packets from one of its ports, it searches in its address table for the destination MAC address, then forwards the packet to the appropriate port within the VLAN group. If the destination MAC address is not found (a new, unlearned MAC address), the Ethernet switch handles the packet as a broadcast packet and transmits it to all ports within the VLAN group except to the port where it came in.

### 3.9.3 Media Access Controllers (MAC)

The Ethernet switch integrates six independent Fast Ethernet MACs that perform all functions in the IEEE 802.3 specifications, for example, frame formatting, frame stripping, CRC checking, CSMA/ CD, collision handling, and backpressure flow control. Each MAC supports 10 Mbps, or 100 Mbps operation in either full-duplex or half-duplex mode. 1000 Mbps is supported in full-duplex mode.

### 3.9.4 ACL

The Ethernet switch supports up to 32 ACL rule table entries. Each rule can support filtering of the incoming packets based on these fields in the packet:

- Source MAC address
- Destination MAC address
- VID
- Ethertype
- Source IP address
- Destination IP address
- Protocol
- Source TCP/UDP port number
- Destination TCP/UDP port number
- Physical port number

When the incoming packets match an entry in the rules table, these actions can be taken and defined in the result field:

- Change VID field
- Drop the packet

Figure 3-5 shows the ACL rule architecture. Each rule is defined by rule control and rule result. Rule control is 4 bytes wide, with four indexes in each control field. Each index points to one rule entry in the rule table. Each rule entry in the rule table can be one of these rules:

- MAC rule
- IPv4 rule
- IPv6 rule

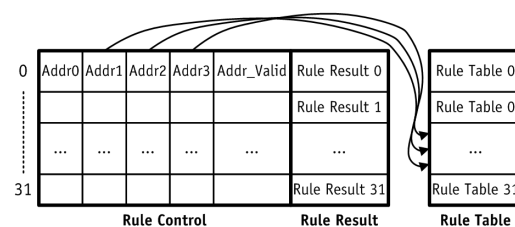


Figure 3-5. ACL Rule Architecture

Note that this ACL engine is available only when switch ports are being accessed through GMAC1, and is independent of the ACL engine available as part of the Ethernet subsystem accessed through GMAC0.

### 3.9.5 Register Access

The MDIO interface allows access to Ethernet switch and MII registers. The format to access MII registers in the embedded PHY is:

Start	OP	0x0	PHY_	REG_	TA	DATA
			ADDR[2:0]	ADDR[4:0]	[1:0]	[15:0]

Where the PHY address is 0x00–0x04. OP code 10 indicates the read command, 01 the write command. Ethernet switch internal registers are 32 bits wide, but MDIO access only 16 bits; thus it requires 2x access to complete internal register access. Also, the address spacing has more than 10 bits supported by MDIO, thus it must write the upper address bits to internal registers. For example:

1. Register address bits [18:9] are treated as page address and written out first as HIGH\_ADDR[9:0]:

Start	OP	0x3	8'b0	TA	6'b0	HIGH_
				[1:0]		ADDR[9:0]

Where HIGH\_ADDR[9:0] is ADDRESS[18:9] of the register.

2. Then LOW\_ADDR can be re-accessed:

Start	OP	2'b10	LOW_	TA	DATA
			ADDR[7:0]	[1:0]	[15:0]

Where LOW\_ADDR[7:1] is the address bit [8:2] of the register and LOW\_ADDR[0] is 0 for DATA[15:0] or 1 for DATA[31:16].

### 3.9.6 LED Control

LED control consists of five rules: two control PHY0–PHY3 LEDs, two control PHY4 LEDs, and one controls the MAC0, MAC5, and MAC6 LED. Each PHY port has two LEDs; default behavior is 100\_LINK\_ACTIVITY and 10\_LINK\_ACTIVITY. Each MAC0/5/6 has one LED; default LED behavior is LINK\_ACTIVITY. Thus two can be connected to indicate OR operation of the original LEDs. Another way to achieve this operation is to modify LED control. See [Table 3-9](#).

Table 3-9. LED Control Rules

Bit	Name	MAC_LED_RULE	LED_RULE_0/1	LED_RULE_2/3	Description	
15:14	PATTERN_EN	0xCF35	0xC935	0xCA35	00	LED always off
					01	LED blinking at 4 Hz
					10	LED always on
					11	LED controlled by the following bits
13	FULL_LIGHT_EN	0x3	0x3	0x3	The LED lights when linked up at full duplex	
12	HALF_LIGHT_EN	0x0	0x0	0x0	The LED lights when linked up at half duplex	
11	POWER_ON_LIGHT_EN	0x0	0x0	0x0	When set, the module should enter POWER_ON_RESET status after reset	
10	LINK_1000M_LIGHT_EN	0x1	0x1	0x1	When set, the LED will light when linked up at 1000 Mbps	
9	LINK_100M_LIGHT_EN	0x1	0x0	0x0	When set, the LED will light when linked up at 100 Mbps	
8	LINK_10M_LIGHT_EN	0x1	0x0	0x1	When set, the LED will light when linked up at 10 Mbps	
7	COL_BLINK_EN	0x1		0x0	When set, the LED will blink when a collision is detected	
6	RES		—		Reserved	
5	RX_BLINK_EN	0x1	0x1	0x0	When set, the LED will blink when a frame is being received	
4	TX_BLINK_EN	0x1	0x1	0x0	The LED blinks when receiving a frame	
3	RES		—		Reserved	
2	LINKUP_OVER_EN	0x1	0x1	0x1	0	Rx/Tx blinking ignored at LINKUP speed.
					1	If LINKUP LED is on, allow Tx/Rx blinking. Otherwise the LED is off.
1:0	LED_BLINK_FREQ	0x1: 4 Hz	0x1: 4 Hz	0x1: 4 Hz	LED blink frequency select. If linked up at 1000 Mbps, use 4 Hz; at 10 Mbps, use 2 Hz.	
					00	2 Hz
					01	4 Hz
					10	8 Hz

### 3.9.7 VLANs

The Ethernet switch supports many VLAN options including IEEE 802.1Q and port-based VLANs. The Ethernet switch supports 4096 IEEE 802.1Q VLAN groups and 4000 VLAN table entries, and it checks VLAN port membership from the VLAN ID extracted from the tag header of the frame. The port-based VLAN is enabled according to the user-defined PORT VID value. The Ethernet switch supports optional discards of tagged, untagged frames, and priority tagged frames; the AR9344 also supports untagging the VLAN ID for packets going on untagged ports on a per-port basis.

### 3.9.8 IEEE Port Security

The Ethernet switch supports 802.1Q security features. It discards ingress frames that do not meet security requirements and ensures those frames that do meet the requirements are sent to the designated ports only. Levels of security can be set differently on each port, and options are processed using the ingress frame VID:

Mode	Description
Secure	The frame is discarded and its VID is not in the VLAN table, or the ingress port is not a member of the VLAN. The frame can exit only the ports that are members of the frame VLAN.
Check	The frame is discarded if its VID is not in the VLAN table. It can exit only the ports that are members of the frame VLAN.
Fallback	If the frame VID is in the VLAN table, the frame can exit only ports that are members of the frame VLAN. Otherwise the switch decides forwarding policy based on the port-based VLAN. If a frame arrives untagged, the AR9344 forwards it based on the port-based VLAN, even if the ingress port's 802.1Q mode is enabled.
Egress	The AR9344 supports port-based egress, both unmodified and force untagged.

The Ethernet switch identifies packet priority based on QoS priority information: port-based, 802.1p CoS, IPv4 TOS/diffserv, and IPv6 TC. It supports up to four queues per egress port. For tagged packets, incoming packet priority maps to one of four CoS queues based on either the priority field in the tag header or the result of classification lookup. For untagged packets, CoS priority comes from a configurable field in the VLAN address tables or from classification lookup results. After packets map to an egress queue, they are forwarded using either strict priority or weighted fair queuing scheduler.

### 3.9.9 Mirroring

Mirroring monitors traffic to gather information or troubleshoot higher-layer protocol operations. Users can specify that a desired mirrored-to port (sniffer port) receive a copy of all traffic passing through a designated mirrored port. The Ethernet switch supports mirror frames that:

- Come from an ingress specified port (ingress mirroring)
- Are destined for egress-specified port (egress mirroring)
- Mirror all ingress and egress traffic to a designated port
- Mirror frames to a specific MAC address

### 3.9.10 Broadcast/Multicast/Unknown Unicast

The Ethernet switch supports port-based broadcast suppression including unregistered multicast, unregistered unicast and broadcast. If broadcast/multicast storm control is enabled, all broadcast/multicast/unknown unicast packets beyond the default threshold of 10 ms (for 100 Mbps operations) and 100 ms (for 10 Mbps operations) are discarded.

### 3.9.11 IGMP/MLD Snooping

The Ethernet switch supports IPv4 IGMP (v1/v2/v3) snooping and IPv6 MLD (v1/v2) snooping. By setting IGMP\_MLD\_EN in the port control registers, the Ethernet switch can look inside IPv4 and IPv6 packets and redirect IGMP/MLD frames to the CPU for processing. The Ethernet switch also supports hardware IGMP join and fast leave functions. By setting IGMP\_JOIN\_EN and IGMP\_LEAVE\_EN in the port control registers, the Ethernet switch updates the ARL table automatically when it receives an IGMP/MLD join or leave packet, then forwards it to the router port directly if the CPU is not acting as a router or when enabling multicast VLAN LEAKY to bypass multicast traffic directly from WAN to LAN.

The statistics counter block maintains 40 MIB counters per port; counters provide Ethernet statistics for frames received on ingress and transmitted on egress. The CPU can capture, read, or clear counter values via the registers. All MIB counters clear once read. Hardware join/fast leave supports these packet types:

- IGMPv1 join
- IGMPv2/MLDv1 join/leave
- IGMPv3/MLDv2 report (excluding NONE or including NONE)

### 3.9.12 Spanning Tree

IEEE 802.1D spanning tree allows bridges to automatically prevent and resolve Layer 2 forwarding loops. Switches exchange BPDUs and configuration messages and selectively enable and disable forwarding on specified ports. A tree of active forwarding links ensures an active path between any two nodes in the networks. Spanning tree can be enabled globally or on a per-port basis by configuring the port status registers.

### 3.9.13 MIB/Statistics Counters

The statistics counter block maintains a set of 40 MIB counters per port, which provide a set of Ethernet statistics for frames received on ingress and transmitted on egress. A register interface allows the CPU to capture, read, or clear the counter values. All MIB counters are cleared when read.

The counters support:

- RMON MIB
- Ethernet-like MIB
- MIB II
- Bridge MIB
- RFC2819

The CPU interface supports:

- Autocast MIB counters after half-full
- Autocast MIB counters after time out
- Autocast MIB counters when requested
- Clearing all MIB counters

Table 3-10. MIB Counters

Counter	Width (Bits)	Offset	Description
RxBroad	32	0x00	The number of good broadcast frames received
RxPause	32	0x04	The number of PAUSE frame received
RxMulti	32	0x08	The number of good multicast frames received
RxFCSErr	32	0x0C	The number of frames received with a valid length, but an invalid FCS and an integral number of octets
RxAlignErr	32	0x10	The total number of frame received with a valid length that do not have an integral number of octets and an invalid FCS
RxRunt	32	0x14	The number of frames received that are <64 bytes long and have a bad FCS
RxFragment	32	0x18	The number of frames received that are <64 bytes long and have a bad FCS
Rx64Byte	32	0x1C	The number of frames received that are exactly 64 bytes long including errors
Rx128Byte	32	0x20	The number of frames received whose length is between 65 and 127 bytes, including those with errors
Rx256Byte	32	0x24	The number of frames received whose length is between 128 and 255 bytes, including those with errors
Rx512Byte	32	0x28	The number of frames received whose length is between 256 and 511 bytes, including those with errors
Rx1024Byte	32	0x2C	The number of frames received whose length is between 512 and 1023 bytes, including those with errors
Rx1518Byte	32	0x30	The number of frames received whose length is between 1024 and 1518 bytes, including those with errors
RxMaxByte	32	0x34	The number of frames received whose length is between 1519 and maxlength, including those with errors (Jumbo)
RxTooLong	32	0x38	The number of frames received whose length exceeds maxlength, including those with FCS errors
RxGoodByte	64	0x3C, 0x40	Total octets received in frame with a valid FCS. All frame sizes are included

Table 3-10. MIB Counters (continued)

RxBadByte	64	0x44, 0x48	Total valid frames received that are discarded due to lack of buffer space
RxOverflow	32	0x4C	Total valid frames received that are discarded due to lack of buffer space
Filtered	32	0x50	Port disabled and unknown VID
TxBroad	32	0x54	The number of good broadcast frames transmitted
TxPause	32	0x58	The number of PAUSE frame transmitted
TxMulti	32	0x5C	The number of good multicast frames transmitted
TxUnderrun	32	0x60	Total valid frames discarded that were not transmitted due to transmit FIFO buffer underflow
Tx64Byte	32	0x64	The number of frames transmitted exactly 64 bytes long including errors
Tx128Byte	32	0x68	The number of frames transmitted whose length is between 65 and 127 bytes, including those with errors
Tx256Byte	32	0x6C	The number of frames transmitted whose length is between 128 and 255 bytes, including those with errors
Tx512Byte	32	0x70	The number of frames transmitted whose length is between 256 and 511 bytes, including those with errors
Tx1024Byte	32	0x74	The number of frames transmitted whose length is between 512 and 1023 bytes, including those with errors
Tx1518Byte	32	0x78	The number of frames transmitted whose length is between 1024 and 1518 bytes, including those with errors
TxMaxByte	32	0x7C	The number of frames transmitted whose length is between 1519 and maxlength, including those with errors (Jumbo)
TxOversize	32	0x80	Total frames over maxlength but transmitted truncated with bad FCS
TxByte	64	0x84, 0x88	Total data octets transmitted from counted, including those with a bad FCS
TxCollision	32	0x8C	Total collisions experienced by a port during packet transmission
TxAbortCol	32	0x90	Total number of frames not transmitted because the frame experienced 16 transmission attempts and was discarded
TxMultiCol	32	0x94	Total number of successfully transmitted frames that experienced more than one collision
TxSignalCol	32	0x98	Total number of successfully transmitted frames that experienced exactly one collision
TxExcDefer	32	0x9C	The number of frames that deferred for an excessive period of time
TxDefer	32	0xA0	Total frame whose transmission was delayed on its first attempt because the medium was busy
TxLateCol	32	0xA4	Total number of times a collision is detected later than 512 bit-times into the transmission of a frame



### 3.9.14 Atheros Header Configuration

Table 3-11 describes the Atheros header configuration. The Atheros header is a two-byte header that the CPU uses to configure the Ethernet switch. The Atheros header will be located after the packet SA.

Table 3-11. Atheros Header Configuration

Bit	Name	Description														
15:14	VERSION	2'b10														
13:12	PRIORITY	Packet priority														
11:8	TYPE	Packet Type:														
		0	Normal Packet	Normal packet from Ethernet including management. The destination port is determined by the ARL and VLAN table.												
		1	RES	Reserved												
		2	MIB	Auto-cast MIB frame												
		4:3	RES	Reserved												
		5	READ_WRITE_REG	Read or write the register frame:												
				<table border="1"> <thead> <tr> <th>8-Byte</th> <th>4-Byte</th> <th>2-Byte</th> <th>0-12-Byte</th> <th>34-46-Byte</th> <th>4-Byte</th> </tr> </thead> <tbody> <tr> <td>Command (low byte first)</td> <td>Data (low byte first)</td> <td>Header (high byte first)</td> <td>Data (low byte first)</td> <td>Padding</td> <td>CRC</td> </tr> </tbody> </table>	8-Byte	4-Byte	2-Byte	0-12-Byte	34-46-Byte	4-Byte	Command (low byte first)	Data (low byte first)	Header (high byte first)	Data (low byte first)	Padding	CRC
		8-Byte	4-Byte	2-Byte	0-12-Byte	34-46-Byte	4-Byte									
Command (low byte first)	Data (low byte first)	Header (high byte first)	Data (low byte first)	Padding	CRC											
6	READ_WRITE_REG_ACK	Read or write register ACK frame from the CPU														
15:7	RES	Reserved														
7	FROM_CPU	Indicates the forwarding method:														
		0	Forwarding based on the VLAN table result and PORT_NUM (bit [6:0])													
		1	Forwarding based on the PORT_NUM (bit [6])													
6:0	PORT_NUM	If bit [6] (FROM_CPU) is set to 1, these bites define the port number to send the packet to. If the packet is destined to the CPU, then PORT_NUM indicates the source port number.														

### 3.9.15 IEEE 802.3 Reserved Group Addresses Filtering Control

The Ethernet switch supports the ability to drop/redirect/copy 802.1D specified reserved group MAC addresses 01-80-C2-00-00-04 to 01-80-C2-00-00-0F by adding the address to the ARL table.

The Ethernet switch can be configured to prevent the forwarding of unicast frames and multicast frames with unregistered destination MAC address on per port base by setting UNI\_FLOOD\_DP and MULTI\_FLOOD\_DP, where a bit represents a port of the Ethernet switch.

### 3.9.16 PPPoE Header Removal

The Ethernet switch supports PPPoE header removal for multicast streaming to offload CPU loading and improve CPU performance. The PPPoE session supports is 16 sessions. See Figure 3-6:

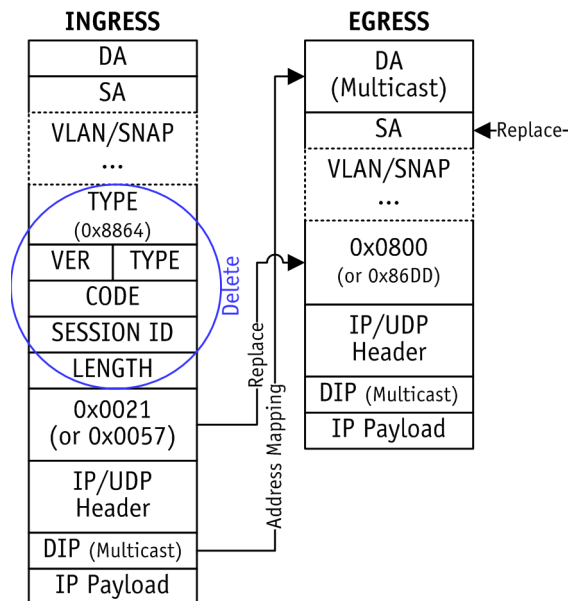


Figure 3-6. PPPoE Header Removal

Table 3-12 shows the possible results.

Table 3-12. PPPoE Session ID

Bit	Name	Description
19	Session ID Valid	0 No valid session ID to compare to
		1 Session ID is valid (drop PPPoE header)
18:16	RES	Reserved
15:0	Session ID	Session ID to be compared with PPPoE session frame

Table 3-13 shows the Ethernet switch memory map.

Table 3-13. Memory Map

Global Register	Offset
Global Register	0x0000–0x000FC
Port Register	0z0100–0x0012C
MIB Register	0x20*00–0x20*A4
ACL Table	0x58000–0z58FEC
Translation Table	0x59000–0x5907C
Session ID Table	0x59100–0x5913F

## 4. Audio Interface

### 4.1 Overview

Figure 4-1 shows a block diagram of the AR9344 audio interface.

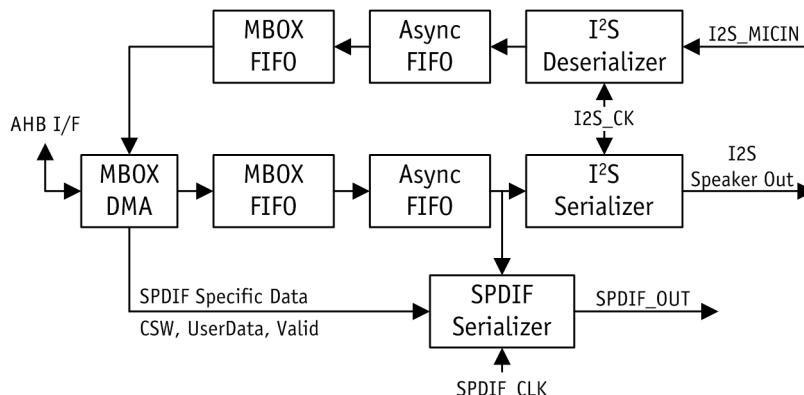


Figure 4-1. Audio Interface

The AR9344 includes an I<sup>2</sup>S speaker and microphone interface as well as an SPDIF speaker interface. The I<sup>2</sup>S and SPDIF clocks are generated by the audio PLL block.

### 4.2 Audio PLL

Figure 4-2 shows the AR9344 audio PLL block diagram.

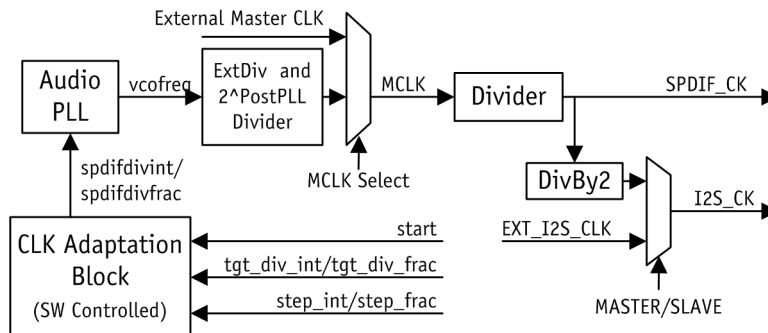


Figure 4-2. Audio PLL Block Diagram

The audio PLL can support generation of all the audio master clock frequencies. It accepts two inputs, SPDIFDIVINT and SPDIFDIVFRAC, which are generated by a clock adaptation module. The clock adaptation module enables slow changing of the audio clock by changing SPDIFDIVINT/SPDIFDIVFRAC in small steps from the current value to a target value. The target TGT\_DIV\_INT/TGT\_DIV\_FRAC and step size are software programmable. The clock adaptation module changes the value of the SPDIFDIVINT/SPDIFDIVFRAC values with respect to a slow SPDIFCLKSDM clocks. This small step size ensures that the audio PLL tracks the small variation. The resolution of

DIVFRAC ensures that the clock can be varied with steps less than 200 ppb. Following the audio PLL come three dividers: postPLL divider and ExtDiv controlled through the register AUDIO\_PLL\_CONFIG, PostPLLDivide field, and another posedge divider inside the I<sup>2</sup>S STEREO\_CONFIG register. The final clock relations is:

$$(25 \text{ or } 40 \text{ MHz}/3) * (\text{int.frac}) = \text{vcfreq}$$

$$\text{vcfreq}/(2^{\text{PostPLLDiv}} * \text{ExtDiv}) = \text{MCLK}$$

$$\text{MCLK}/\text{posedge} = \text{SPDIF\_CLK}$$

If the master must be modified from the current value to another value, it is software's responsibility to recompute and program the new TGT\_DIV\_INT/TGT\_DIV\_FRAC values.

### 4.3 I<sup>2</sup>S Interface

The AR9344 I<sup>2</sup>S supports a two-channel digital audio subsystem. This interface uses the I<sup>2</sup>S pins listed in Table 1-5, “Signal to Pin Relationships and Descriptions,” on page 28.

#### 4.3.1 External DAC

An external DAC receives I<sup>2</sup>S digital audio streams and converts them to analog output to drive speaker or headphones. This data stream is PCM data which is serialized and sent with a left channel/right channel select and synchronization signal. The I<sup>2</sup>S serializer can be programmed to support a few different variants of the I<sup>2</sup>S data format to be compatible with a larger number of external DAC components, including various PCM data word sizes, serialization boundaries, and clocking options.

I<sup>2</sup>S can also operate in a slave mode where the stereo clock and word select are driven by external master (DAC or external controller). External DAC parts are often controlled by a separate serial 2-wire or 3-wire interface. This interface often controls volume and configuration of the external DAC. This can be attached to the AR9344 serial interface controllers.

#### 4.3.2 Sample Sizes and Rates

The stereo audio path supports PCM sample sizes of 8, 16, 24, or 32 bits for speaker out and PCM sample sizes of 16 and 32 bits for MICIN. The serializer supports serialization sizes of 16 or 32 bits. The sample size and serialization size need not be the same, LSBs will be padded with 0's. If the AR9344 is programmed to be a slave, word select and stereo clock (the bit clock) are inputs from the external DAC/ADC.

Along with configuration information, a sample counter provides the number of samples transmitted per second through the I<sup>2</sup>S SpeakerOut interface. This sample counter can be used and cleared by software as required.

#### 4.3.3 Stereo Software Interface

To play music, software configures the stereo subsystem and sends interleaved (LRLR...) PCM data to the mailbox DMA. To record music, software configures the stereo subsystem and the PCM samples (interleaved) are written into the memory.

#### To send data PCM samples on the I<sup>2</sup>S interface:

1. Program GPIO\_FUNCTION register to enable I<sup>2</sup>S.
2. Program the STEREO\_CONFIG register to enable the stereo.
3. Configure other parameters.  
For example, sample size, word size, mono/stereo mode, master/slave mode, clk divider (if the AR9344 is master), and so on.
4. Issue a stereo reset.
5. Configure the DMA to send SpeakerOut from the AR9344.

#### To receive data PCM samples:

1. Program the GPIO\_FUNCTION register to enable I<sup>2</sup>S.
2. Program STEREO\_CONFIG register to enable the stereo.
3. Issue a MICIN reset to reset Micin buffers.
4. Configure other parameters.  
For example, sample size, word size, mono/stereo mode, master/slave mode, clk divider (if the AR9344 is master), and so on.
5. Configure the DMA to receive PCM samples.

### 4.4 SPDIF INTERFACE

The AR9344 also includes a SPDIF interface for audio. The SPDIF interface only includes SPDIF\_OUT to the speakers. SPDIF\_IN is not supported in the AR9344.

The SPDIF interface operates on the same sample as I<sup>2</sup>S, so it always in sync with audio played on the I<sup>2</sup>S interface. All configuration information to the SPDIF block, such as the sampling frequency, sample size, word size, and so on, are inherited from the programming of the I<sup>2</sup>S interface. If only the SPDIF interface is required to operate and the I<sup>2</sup>S audio interface is not required, the programming still only needs to be done using I<sup>2</sup>S configuration registers. The I<sup>2</sup>S interface can be disabled using the GPIO function register.

The SPDIF specific data that forms part of each SPDIF audio subframe such as the valid, CSW, and user data are provided through the DMA descriptor directly to the SPDIF Module. The DMA controller describes how the data is provided through the descriptor.

#### 4.5 Mailbox (DMA Controller)

The mailbox DMA controller is used in the AR9344 used for I2S, SPDIF, and the SLIC interfaces. The mailbox channel is a duplex channel that can operate simultaneously for Rx and Tx.

##### 4.5.1 Mailboxes

The AR9344 supports one duplex mailbox to move data between the DDR memory and audio interfaces I<sup>2</sup>S and SPDIF through the AHB interface. Flow control of the DMA must be managed by software.

#### 4.5.2 MBOX DMA Operation

The AR9344 MBOX DMA engine has one channel for Tx and one channel for Rx. Each mailbox DMA channel follows a list of linked descriptors.

Figure 4-3 and Table 4-1 show the descriptor format and description.

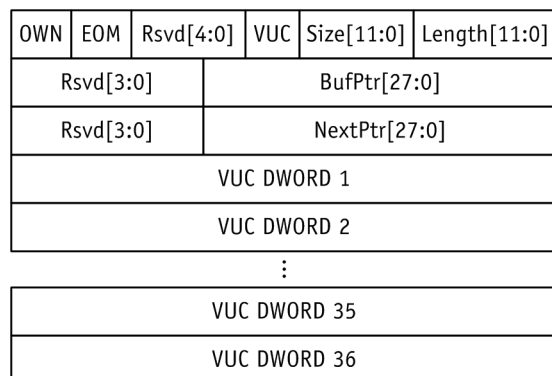


Figure 4-3. DMA Descriptor Structure

Table 4-1. Descriptor Fields

Name	Bits	Description
Length	12	Length of data in memory buffer. If EOM=0, the Length = Size.
Size	12	Size of memory buffer.
VUC	1	When this bit set, the SPDIF block uses the VUC data for the audio block fetched from the previous descriptor.
EOM	1	End of message indicator.
OWN	1	Descriptor is owned by the CPU or DMA engine. (If set, it is owned by the DMA engine).
BufPtr	28	Points to memory buffer pointer. Byte aligned address.
NextPtr	28	Points to next descriptor in the list. Must be word aligned.
VUC DWORD 1 to 36	36 * 32 bits	These are the VUC data for each audio block of the SPDIF. 192 Bits each of Valid, UserData and Channel Status Word for two channels of audio corresponds to 36 Dwords. These data are SPDIF specific and software does not need to provide this data if I <sup>2</sup> S is the only active interface and SPDIF is disabled.

Once the DMA engine is started, it will follow its descriptor chain until it arrives at a descriptor that has its owner bit set to CPU (bit [31] of the status word is not set). The DMA engine then stops until the CPU restarts it.

The DMA control registers include stop and start commands, a programmable descriptor chain base address, DMA policies to use, and so on. DMA status registers inform the CPU when the engine is running, done, or encountered an error.

### 4.5.3 Software Flow Control

#### To configure the MBOX channel to send data from the AR9344 (Rx as referred in MBOX):

1. Set up the MBOX Rx descriptors. The owner should be set to indicate it is owned by the DMA controller. Hardware resets this once DMA is complete.
2. Load the corresponding buffers with the data to transmit.
3. Program the register `MBOX_DMA_TX_DESCRIPTOR_BASE_A` DDRESS with the base descriptor address.
4. Reset the corresponding MBOX FIFO.
5. Enable the DMA by setting the START bit in the `MBOX_DMA_RX_CONTROL` register. This register has a provision to stop and resume at any time.
6. On DMA completion, the `RX_DMA_COMPLETE` interrupt is asserted.

#### To configure the MBOX channel for the AR9344 to receive data (Tx as referred in MBOX):

1. Set up the MBOX Tx descriptors. The owner should be set to indicate it is owned by the DMA controller. Hardware resets this once DMA is complete.
2. Program the register `MBOX_DMA_TX_DESCRIPTOR_BASE_A` DDRESS with the base descriptor address.
3. Reset the corresponding MBOX FIFO.
4. Enable the DMA by setting START bit in `MBOX_DMA_TX_CONTROL` register. This register has a provision to stop and resume at any time.
5. On DMA completion, the `TX_DMA_COMPLETE` interrupt is asserted.

### 4.5.4 Mailbox Error Conditions

If flow control synchronization is lost for any reason, these mailbox error conditions could arise:

Table 4-2.

Tx Mailbox Overflow	<p>If no DMA descriptors are available on the AR9344 Tx side, but an message is coming in from the corresponding interface, the Tx mailbox stalls the host physical interface.</p> <p>If the host interface remains stalled with the Tx FIFO full for a timeout period specified other than <code>FIFO_TIMEOUT</code>, a timeout error occurs. An interrupt is sent to CPU.</p> <p>As long as the host status overflow bit is set, any mailbox Tx bytes that arrive from the host when the mailbox is full are discarded. When the host clears the overflow interrupt, mailbox FIFOs return to normal operation. Software must then either resynchronize flow control state or reset the AR9344 to recover.</p>
Rx Mailbox Underflow	<p>If I<sup>2</sup>S reads a mailbox that does not contain any data and this condition persists for more than a timeout period, the CPU is sent an underflow error interrupt. As long as status underflow bit is set, any mailbox reads which arrive when the mailbox is empty return garbage data. Software must then either resynchronize flow control state or reset the AR9344 to recover.</p>

### 4.5.5 MBOX-Specific Interrupts

All MBOX specific interrupts can be masked by control registers (`MBOX_INT_ENABLE`).

MBOX sends an interrupt to MIPS in these cases (if they are enabled):

- Tx DMA complete, Rx DMA complete
- Tx overflow, Tx not empty (incoming traffic)
- Rx underflow, Rx not full (outgoing traffic)

The status of these interrupts can be read from the `MBOX_INT_STATUS` register.

## 5. WLAN Medium Access Control (MAC)

The WLAN MAC consists of the following major functional blocks: 10 queue control units (QCU), 10 distributed coordination function

(DCF) control units (DCUs), a single DMA Rx unit (DRU), and a single protocol control unit (PCU). See Figure 5-1.

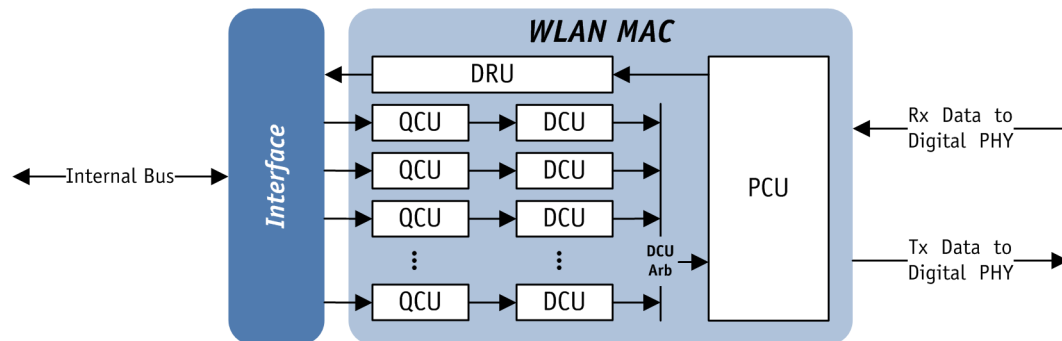


Figure 5-1. WLAN MAC Block Diagram

### 5.1 Overview

The WLAN MAC block supports full bus-mastering descriptor-based scatter/gather DMA. Frame transmission begins with the QCU. QCU manages the DMA of frame data from the host through the PCIE interface, and determines when a frame is available for transmission.

Each QCU targets exactly one DCU. Ready frames are passed from a QCU to its targeted DCU. The DCU manages the enhanced distributed coordination function (EDCF) channel access procedure on behalf of the QCU associated with it.

Functionality of the WLAN MAC block includes:

- Tx frame data transfer from the DDR
- Rx frame data transfer the DDR
- Interrupt generation and reporting
- Sleep-mode sequencing
- Miscellaneous error and status reporting functions

Once the DCU gains access to the channel, it passes the frame to the PCU, which encrypts the frame and sends it to the baseband logic. The PCU handles both processing responses to the transmitted frame, and reporting the transmission attempt results to the DCU.

Frame reception begins in the PCU, which receives the incoming frame bitstream from the digital PHY. The PCU decrypts the frame and passes it to the DRU, which manages Rx descriptors and writes the incoming frame data and status.

### 5.2 Descriptor

The WLAN MAC is responsible for transferring frames between the DDR and the digital PHY. For all normal frame transmit/receive activity, the CPU provides a series of descriptors to the WLAN MAC, and the WLAN MAC then parses the descriptors and performs the required set of data transfers.

### 5.3 Descriptor Format

The transmit (Tx) descriptor format contains twenty-three 32-bit words and the receive (Rx) descriptor contains nine 32-bit words.

A descriptor must be aligned on a 32-bit boundary in host memory, although best performance is achieved if the descriptor is aligned on a cache-line boundary. The MAC uses the final ten words of the Tx descriptor and nine words of the Rx descriptor to report status information back to the host.

See these tables for more information:

Table	Words	Description
<a href="#">Table 5-1</a>	0–14	Tx descriptor format
<a href="#">Table 5-4</a>	15–22	Tx descriptor format
<a href="#">Table 5-5</a>	0–8	Tx descriptor status format
<a href="#">Table 5-6</a>	0–11	Rx descriptor format

The Tx descriptor format is described in [Table 5-1](#). With certain exceptions as noted, all Tx descriptor fields must be valid in the first descriptor of a non-aggregate frame. The fields for all following descriptors are ignored. For aggregate frames only the first descriptor of the first frame of the aggregate is valid. The fields for all following descriptors are ignored.

**Table 5-1. Tx Descriptor Format: Words 0–14**

Word	Bits	Name	Description
0	31:16	atheros_id	The unique Atheros identifier of 0x168C is used to visually identify the start of the descriptor.
	15	desc_tx_rx	Indicates whether the descriptor is a transmit or receive descriptor. The value should be set to 1 indicating transmit.
	14	desc_ctrl_stat	Indicates whether the descriptor is a control or status descriptor. The value should be set to 1 indicating control descriptor.
	13:12	RES	Reserved
	11:8	tx_qcu_num	Tx QCU number Indicates which QCU this descriptor is part of.
	7:0	desc_length	Descriptor length Indicates the number of Dwords in this descriptor. The value should be set to 0x17 (23 Dwords).
1	31:0	link_ptr	Link pointer address Contains the 32-bit next descriptor pointer. Must be 32-bit aligned (bits [1:0] must be 0). A null value: (link_ptr= 0x0) is only allowed at the end of a non-aggregate or non-RIFS packet. If the packet is part of an aggregate or RIFS burst, a null is only allowed on the last descriptor of the last packet. A legal null value causes the QCU to stop. Must be valid for all descriptors.
2	31:0	buf_ptr0	Data buffer pointer 0 Contains the 32-bits address of the first data buffer associated with this descriptor. A transmit data buffer may begin at any byte address. Must not be null (buf_ptr0 = 0x0) for all descriptors.



Table 5-1. Tx Descriptor Format: Words 0–14

Word	Bits	Name	Description
3	31:28	RES	Reserved
	27:16	buf_len0	Data buffer length associated with data buffer pointer 0. Specifies the length, in bytes, of the data buffer associated with buf_ptr0. buf_len0 must not be 0. Note: This field must be valid for all descriptors. <pre> case (header_length, gos_packet) {   24, no : pad_length = 0;   24, yes: pad_length = 2;   30, no : pad_length = 2;   30, yes: pad_length = 0; } case (encrypt_type) {   wep : icv_length = 4;   tkip_nomic : icv_length = 4;   aes : icv_length = 8;   tkip : icv_length = 12;   wapi : icv_length = 16; } fcs_length = 4; frame_length = buf_len0 + buf_len1 + buf_len2 + buf_len3 +   icv_length + fcs_length - pad_length </pre>
	15:0	RES	Reserved
4	31:0	buf_ptr1	Data buffer pointer 1 Contains the 32-bits address of the second data buffer associated with this descriptor. A transmit data buffer may begin at any byte address. Only valid if buf_ptr0 is not null.
5	31:28	RES	Reserved
	27:16	buf_len1	Data buffer length associated with data buffer pointer 1. buf_len1 can only be 0 if and only if buf_ptr1 is null. See buf_len0 for details.
	15:0	RES	Reserved
6	31:0	buf_ptr2	Data buffer pointer 2 Contains the 32-bits address of the third data buffer associated with this descriptor. A transmit data buffer may begin at any byte address. Only valid if buf_ptr0 and buf_ptr1 are not null.
7	31:28	RES	Reserved
	27:16	buf_len2	Data buffer length associated with data buffer pointer 2. buf_len2 can only be 0 if and only if buf_ptr2 is null. See buf_len0 for details.
	15:0	RES	Reserved
8	31:0	buf_ptr3	Data buffer pointer 3 Contains the 32-bits address of the third data buffer associated with this descriptor. A Tx data buffer may begin at any byte address. Only valid if buf_ptr0, buf_ptr1, and buf_ptr2 are not null.
9	31:28	RES	Reserved
	27:16	buf_len3	Data buffer length associated with data buffer pointer 2. buf_len2 can only be 0 if and only if buf_ptr3 is null. See buf_len0 for details.
	15:0	RES	Reserved
10	31:16	tx_desc_id	Tx descriptor sequence number Software will select a unique sequence number associated with this descriptor. This value is copied to the tx_desc_id in the transmit status.
	15:0	ptr_checksum	Memory pointer checksum Verifies the integrity of the memory pointers/addresses in this descriptor. The equation looks like this: <pre> checksum[31:0] = TXC[0]+TXC[1]+TXC[2]+TXC[3]+TXC[4]+   TXC[5]+TXC[6]+TXC[7]+TXC[8]+TXC[9]; ptr_checksum[15:0] = checksum[31:16] + checksum[15:0]; </pre> The carry bits above the MSB of the checksum or ptr_checksum will disappear.

Table 5-1. Tx Descriptor Format: Words 0–14

Word	Bits	Name	Description
11	31	cts_enable	Self-CTS enable Precedes the frame with CTS flag. If set, the PCU first sends a CTS before sending the frame described by the descriptor; used mainly for 802.11g frames to quiet legacy stations before sending a frame the legacy stations cannot interpret, even at the PHY level. At most only one of the rts_enable and cts_enable bits may be set; it is illegal to set both.
	30	dest_index_valid	Destination index valid flag Specifies whether the contents of the DestIdx field are valid.
	29	int_req	Interrupt request flag Set to one by the driver to request that the DMA engine generate an interrupt upon completion of the frame to which this descriptor belongs. Note: This field must be valid and identical for all descriptors of the frame. That is, all descriptors for the frame must have this flag set, or all descriptors for the frame must have this flag clear.
	28:25	beam_form	Tx beamforming in series 0–3. If this value is set, the current packet carries an array V before MPDU in the current Tx series. Bit [28] For Tx series 3 Bit [27] For Tx series 2 Bit [26] For Tx series 1 Bit [25] For Tx series 0
24	clear_dest_mask	Clear destination mask bit flag If set, instructs the DCU to clear the destination mask bit at the index specified by the dest_index field.	
23	veol	Virtual end-of-list flag When set, indicates that the QCU should act (mostly) as if this descriptor had a null link_ptr, even though its link_ptr field may be non-null. Note: This field must be valid in the final descriptor of a frame and must be clear for all other descriptors of the frame.	
22	rts_enable	RTS enable If set, the PCU transmits the frame using the RTS/CTS protocol. If clear, the PCU transmits the frame without transmitting a RTS. At most only one of the rts_enable and cts_enable bits may be set; it is illegal to set both.	
21:16	tpc_0	TPC for Tx series 0. These bits pass unchanged to the baseband, where they control Tx power for the frame.	
15	clear_retry	Setting this bit disables the retry bit from being set in the Tx header on a frame retry; applies to both aggregate and non-aggregate frames.	
14	low_rx_chain	When set to 1, indicates that switches the Rx chain mask to low power mode after transmitted this frame.	
13	fast_ant_mode	Fast antenna mode If set to 0, this means that this Tx frame to use the omni antenna mechanism. if set to 1, then the opposite omni antenna should be used.	
12	vmf	Virtual more fragment If this bit is set, bursting is enabled for this frame. If there is no burst in progress, it will initiate a CTS protected burst if cts_enable is set. If there is a previous burst in progress, it ignores the cts_enable bit assuming that this burst is protected.	
11:0	frame_length	Frame length Specifies the length, in bytes, of the entire MAC frame, including the FCS, IC, and ICV fields.	

Table 5-1. Tx Descriptor Format: Words 0–14

Word	Bits	Name	Description															
12	31	more_rifs	More RIFS burst flag; When set, indicates that the current packet is not the last packet of an aggregate. All descriptors for all packets of a RIFS burst except the descriptors of the last packet must have this bit set. All descriptors of the last packet of a RIFS burst must have this bit clear.															
	30	is_agg	This packet is part of an aggregate flag. All descriptors of the all packets in an aggregate must have this bit set.															
	29	more_agg	More aggregate flag; When set, indicates that the current packet is not the last packet of an aggregate. All descriptors for all packets of an aggregate except the descriptors of the last packet must have this bit set. All descriptors of the last packet of an aggregate must have this bit clear.															
	28	ext_and_ctl	<p>Extension and control channel enable Only four combinations are allowed; otherwise desc_config_error asserts. When neither ext_only nor ext_and_ctl are set, the RTS/CTS and data frame is sent based on the bandwidth: HT20 when 20_40 is set to 0 and HT40 shared when 20_40 is set to 1 (RTS/CTS frames are sent at in HT40 duplicate mode if 20_40 is set to 1). When ext_and_ctl is set the RTS/CTS and data frame is sent at HT40 duplicate. When ext_only is set the RTS/CTS and data frame is sent out in HT20 extension channel mode.</p> <table border="1"> <thead> <tr> <th>ETX_AND_CTL</th> <th>20_40</th> <th>DATA</th> <th>RTS/CTS</th> </tr> </thead> <tbody> <tr> <td>0</td> <td>0</td> <td>HT20 Control</td> <td>HT20 Control</td> </tr> <tr> <td>0</td> <td>1</td> <td>HT40 Shared</td> <td>HT40 Duplicate</td> </tr> <tr> <td>1</td> <td>1</td> <td>HT40 Duplicate</td> <td>HT40 Duplicate</td> </tr> </tbody> </table>	ETX_AND_CTL	20_40	DATA	RTS/CTS	0	0	HT20 Control	HT20 Control	0	1	HT40 Shared	HT40 Duplicate	1	1	HT40 Duplicate
ETX_AND_CTL	20_40	DATA	RTS/CTS															
0	0	HT20 Control	HT20 Control															
0	1	HT40 Shared	HT40 Duplicate															
1	1	HT40 Duplicate	HT40 Duplicate															
27		RES	Reserved															
26		corrupt_fcs	Corrupt packet FCS; When set, the FCS of the packet will be inverted to guarantee the transmitted FCS is incorrect.															
25		RES	Reserved															
24		no_ack	No ACK flag; When set, indicates to the PCU that it should not expect to receive (and should not wait for) an ACK for the frame. Must be set for any frame that has the 802.11 NoACK bit set in the QoS field. Also must be set for all other frame types (such as beacons and other broadcast/multicast frames) that do not receive ACKs.															
23:20		frame_type	Frame type indication; indicates what type of frame is being sent:															
			15:5	Reserved														
			4	Probe response														
			3	Beacon														
			2	PS-Poll														
			1	ATIM														
0	Frame type, other than the types listed in [15:1]																	
19:13		dest_index	<p>Destination table index Specifies an index into an on-chip table of per-destination information. The PCU fetches the encryption key from the specified index in this table and uses this key to encrypt the frame. The DMA logic uses the index to maintain per-destination transmit filtering status and other related information.</p>															
12		more	<p>More descriptors in this frame flag Set to one by the driver to indicate that there are additional descriptors (that is, DMA fragments) in the current frame. The last descriptor of a packet must have this bit set to 0. Note: This field must be valid for all descriptors.</p>															
11:9		pa	Pre-distortion chain mask															
8:0		RES	Reserved															

**Table 5-1. Tx Descriptor Format: Words 0–14**

Word	Bits	Name	Description
13	31:28	tx_tries3	Number of frame data exchange attempts permitted for Tx series 3. A value of zero means skip this transmission series.
	27:24	tx_tries2	Number of frame data exchange attempts permitted for Tx series 2. A value of zero means skip this transmission series.
	23:20	tx_tries1	Number of frame data exchange attempts permitted for Tx series 1. A value of zero means skip this transmission series.
	19:16	tx_tries0	Number of frame data exchange attempts permitted for Tx series 0. A frame data exchange attempt means a transmission attempt in which the actual frame is sent on the air (in contrast to the case in which the frame has RTS enabled and the RTS fails to receive a CTS. In this case, the actual frame is not sent on the air, so this does not count as a frame data exchange attempt. Unlike TX_TRIES1...3, a value of zero is illegal for TX_TRIES0 field.
	15	dur_update_en	Frame duration update control. If set, the MAC updates (overwrites) the duration field in the frame based on the current transmit rate. If clear, the MAC does not alter the contents of the frame duration field.
	14:0	burst_duration	Burst duration value in usec. If this frame is not part of a burst or the last frame in a burst, this value should be zero. In a burst, this value is the amount of time to be reserved (via NAV) after the completion of the current transmit packet sequence (after the ACK if applicable).
14	31:24	tx_rate3	Tx rate for transmission series 3; see <a href="#">Table 5-2</a> and <a href="#">Table 5-3</a>
	23:16	tx_rate2	Tx rate for transmission series 2; see <a href="#">Table 5-2</a> and <a href="#">Table 5-3</a>
	15:8	tx_rate1	Tx rate for transmission series 1; see <a href="#">Table 5-2</a> and <a href="#">Table 5-3</a>
	7:0	tx_rate0	Tx rate for transmission series 0; see <a href="#">Table 5-2</a> and <a href="#">Table 5-3</a>

**Table 5-2. MAC Rate Encodings**

MAC Rate Encoding	Protocol
0x01	Reserved
0x02	
0x03	
0x06	
0x07	
0x08	
0x09	OFDM_24Mb
0xA	OFDM_12Mb
0xB	OFDM_6Mb
0xC	OFDM_54Mb
0xD	OFDM_36Mb
0xE	OFDM_18Mb

**Table 5-2. MAC Rate Encodings (continued)**

0xF	OFDM_9Mb
0x18	CCK_11Mb_L
0x19	CCK_5_5Mb_L
0x1A	CCK_2Mb_L
0x1B	CCK_1Mb_L
0x1C	CCK_11Mb_S
0x1D	CCK_5_5Mb_S
0x1E	CCK_2Mb_S

Table 5-3. Tx Rates<sup>[1]</sup>

Rate	Desc	Stream	HT20; GI= 0 Mbps	HT20; GI = 1 Mbps	HT40; GI= 0 Mbps	HT40; GI= 1 Mbps
0x80	MCS 0	1	6.5	7.2	13.5	15
0x81	MCS 1	1	13	14.4	27	30
0x82	MCS 2	1	19.5	21.7	40.5	45
0x83	MCS 3	1	26	28.9	54	60
0x84	MCS 4	1	39	43.3	81	90
0x85	MCS 5	1	52	57.8	108	120
0x86	MCS 6	1	58.5	65.0	121.5	135
0x87	MCS 7	1	65	72.2	135	150
0x88	MCS 8	2	13	14.4	27	30
0x89	MCS 9	2	26	28.9	54	60
0x8A	MCS 10	2	39	43.3	81	90
0x8B	MCS 11	2	52	57.8	108	120
0x8C	MCS 12	2	78	86.7	162	180
0x8D	MCS 13	2	104	115.6	216	240
0x8E	MCS 14	2	117	130.0	243	270
0x8F	MCS 15	2	130	144.4	270	300

[1]All rates not listed are reserved. Note that for short guard interval (GI=1), HT20 mode is allowed.

The Tx descriptor format for words 15 through 22 is described in [Table 5-4](#).

**Table 5-4. DMA Tx Descriptor Format for Words 15–22**

Word	Bits	Name	Description	
15	31	rts_cts_qual1	Qualifies rts_enable or cts_enable in the Tx descriptor for Tx series 1	
			1	Default behavior with respect to rts_enable and cts_enable
	30:16	packet_duration1	Packet duration 1 (in $\mu$ s); Duration of the actual Tx frame associated with TXRate1. This time does not include RTS, CTS, ACK, or any associated SIFS.	
	15	rts_cts_qual0	Qualifies rts_enable or cts_enable in the Tx descriptor for Tx series 0	
1			Default behavior with respect to rts_enable and cts_enable	
	14:0	packet_duration0	Packet duration 0 (in $\mu$ s); Duration of the actual Tx frame associated with TXRate0. This time does not include RTS, CTS, ACK, or any associated SIFS.	
16	31	rts_cts_qual3	Qualifies rts_enable or cts_enable in the Tx descriptor for Tx series 3	
			1	Default behavior with respect to rts_enable and cts_enable
	30:16	packet_duration3	Packet duration 3 (in $\mu$ s); Duration of the actual Tx frame associated with TXRate3. This time does not include RTS, CTS, ACK, or any associated SIFS.	
	15	rts_cts_qual2	Qualifies rts_enable or cts_enable in the Tx descriptor for Tx series 2	
1			Default behavior with respect to rts_enable and cts_enable	
	14:0	packet_duration2	Packet duration 2 (in $\mu$ s); Duration of the actual Tx frame associated with TXRate2. This time does not include RTS, CTS, ACK, or any associated SIFS.	
17	31	RES	Reserved	
	30	calibrating	Calibrating indication; causes the BB to apply the correct MCS D PDU, which is used for radio calibration.	
	29	dc_ap_sta_sel	Select for remaining the TBTT between TSF and TSF2, where 0 is from TSF and 1 is from TSF2. Should be used only when both ap_sta_enable and txop_tbt_limit_enable are enabled.	
	28:26	encrypt_type	Encryption type; DMA engine must add the number of necessary extra Dwords at the end of a packet to account for the encryption ICV generated by hardware. The encrypt_type fields must be valid for all descriptors.	
			0	None; 0 pad bytes
			1	WEP or TKIP (no MIC); 4 pad bytes
			2	AES; 8 pad bytes
			3	TKIP; 12 pad bytes
4			WAPI; 16 pad bytes	
7:5	Reserved			
25:18	pad_delim	Pad delimiters; Between each packet of an A-MPDU aggregate the hardware will insert a start delimiter which includes the length of the next frame. Sometimes hardware on the transmitter or receiver requires some extra time between packets which can be satisfied by inserting zero length delimiters. This field indicates the number of extra zero length delimiters to add.		
17:16	RES	Reserved		
15:0	agg_length	Aggregate (A-MPDU) length; the aggregate length is the number of bytes of the entire aggregate. This length should be computed as: $\text{delimiters} = \text{start\_delim} + \text{pad\_delim};$ $\text{frame\_pad} = (\text{frame\_length} \% 4) ? (4 - (\text{frame\_length} \% 4)) : 0$ $\text{agg\_length} = \text{sum\_of\_all} (\text{frame\_length} + \text{frame\_pad} + 4 * \text{delimiters})$ <p>For the last packet of an aggregate the FRAME_PAD = 0 and delimiter= 0, frame_pad aligns to the next delimiter to be Dword aligned. Each delimiter is 4 bytes long. PAD_DELIM is the number of zero-length delimiters used to introduce an extra time gap between packets. START_DELIM is always 1 and includes the length of the next packet in the aggregate.</p>		

Table 5-4. DMA Tx Descriptor Format for Words 15–22 (continued)

Word	Bits	Name	Description	
18	31:28	stbc	STBC settings for all four series. If bit [0] is set, STBC is enabled for Tx series 0...3. Only supported for single stream rates, so only the lower bit is set.	
	27:20	rts_cts_rate	RTS or self-CTS rate selection. Specifies the rate the RTS sends at if rts_enable is set, or self CTS sends at if cts_enable is set; see Table 5-3.	
	19:17	chain_sel_3	Chain select for Tx series 3. 1 and 3 are the only valid values.	
	16	gi_3	Guard interval control for Tx series 3	
			0	Normal guard interval
			1	Short guard interval
	15	20_40_3	20_40 control for Tx series 3	
			0	HT20 Tx packet
			1	HT40 Tx packet
	14:12	chain_sel_2	Chain select for Tx series 2. 1 and 3 are the only valid values.	
	11	gi_2	Guard interval control for Tx series 2	
	10	20_40_2	20_40 control for Tx series 2	
	9:7	chain_sel_1	Chain select for Tx series 1. 1 and 3 are the only valid values.	
	6	gi_1	Guard interval control for Tx series 1	
5	20_40_1	20_40 control for Tx series 1		
4:2	chain_sel_0	Chain select for Tx series 0. 1 and 3 are the only valid values.		
1	gi_0	Guard interval control for Tx series 0		
0	20_40_0	20_40 control for Tx series 0		
19	31:30	ness_0	Number of Extension Spatial Streams (NESS) field of HT-SIG for Tx series 0. This setting is valid when the Tx rate is HT rate.	
			0	No Extension HTLTF is transmitting PPDU
			1	One Extension HTLTF is transmitting PPDU
	29	not_sounding	Not sounding HT-SIG field; sends sounding PPDU in explicit feedback as BF. If rts_enable is set to 1, this field affects RTS only, not the next data frame.	
			0	The PPDU is a sounding PPDU
			1	The PPDU is not a sounding PPDU
	28	rts_hfc_trq	Sounding request of RTS frame; available when rts_enable is set to 1.	
			0	The responder is not requested to transmit a sounding PPDU
			1	Request the responder to transmit a sounding PPDU
	27	rts_hfc_mrq	MCS request of RTS frame; available when rts_enable is set to 1	
			0	No MCS feedback is requested
			1	MCS feedback is requested
	26:24	rts_hfc_msi	MCS Request Sequence Identifier (MSI) of RTS frame	
0			Reserved	
1			Contains a sequence number (0–6) to identify the specific request	
23:0	antenna_0	Antenna switch for Tx series 0		

Table 5-4. DMA Tx Descriptor Format for Words 15–22 (continued)

Word	Bits	Name	Description	
20	31:30	ness_1	NESS field of HT-SIG for Tx series 1. This setting is valid when the transmission rate is HT rate.	
			0	No Extension HTLTF is transmitting PPDU
			1	One Extension HTLTF is transmitting PPDU
	29:24	tpc_1	TPC for Tx series 1. These bits pass unchanged to the baseband, where they control Tx power for the frame.	
	23:0	antenna_1	Antenna switch for Tx series 1	
21	31:30	ness_2	NESS field of HT-SIG for Tx series 2. This setting is valid when the transmission rate is HT rate.	
			0	No Extension HTLTF is transmitting PPDU
			1	One Extension HTLTF is transmitting PPDU
	29:24	tpc_2	TPC for Tx series 2. These bits pass unchanged to the baseband, where they control Tx power for the frame.	
	23:0	antenna_2	Antenna switch for Tx series 2	
22	31:30	ness_3	NESS field of HT-SIG for Tx series 3. This setting is valid when the transmission rate is HT rate.	
			0	No Extension HTLTF is transmitting PPDU
			1	One Extension HTLTF is transmitting PPDU
	29:24	tpc_3	TPC for Tx series 3. These bits pass unchanged to the baseband, where they control Tx power for the frame.	
	23:0	antenna_3	Antenna switch for Tx series 3	



The Tx descriptor status format for words 0 through 8 is described in [Table 5-5](#).

The words status is only considered valid when the done bit is set.

**Table 5-5. Tx Descriptor Status Format: Words 0–8**

Word	Bits	Name	Description
0	31:16	atheros_id	The unique Atheros identifier of 0x168C is used to visually identify the start of the descriptor.
	15	desc_tx_rx	Indicates whether the descriptor is a transmit or receive descriptor. The value should be set to 1 indicating transmit.
	14	desc_ctrl_stat	Indicates whether the descriptor is a control or status descriptor. The value should be set to 0 indicating status descriptor.
	13:12	RES	Reserved
	11:8	tx_qcu_num	Tx QCU number Indicates which QCU this descriptor is part of.
	7:0	desc_length	Descriptor length Indicates the number of Dwords in this descriptor. The value should be set to 0x9 (9 Dwords).
1	31:16	tx_desc_id	Tx descriptor sequence number Software will select a unique sequence number associated with this descriptor. This value is copied to the tx_desc_id in the Tx status.
	15:0	RES	Reserved
2	31	RES	Reserved
	30	ba_status	Block ACK status If set, this bit indicates that the BA_BITMAP values are valid.
	29:24	RES	Reserved
	23:16	ack_rssi_ant02	Rx ACK signal strength indicator of control channel chain 2 A value of 0x80 (–128) indicates an invalid number.
	15:8	ack_rssi_ant01	Rx ACK signal strength indicator of control channel chain 1 A value of 0x80 (–128) indicates an invalid number.
	7:0	ack_rssi_ant00	Rx ACK signal strength indicator of control channel chain 0 A value of 0x80 (–128) indicates an invalid number.

Table 5-5. Tx Descriptor Status Format: Words 0–8

Word	Bits	Name	Description
3	31:20	RES	Reserved
	19	tx_timer_expired	Tx timer expired. This bit is set when the Tx frame is taking longer to send to the baseband than is allowed based on the TX_TIMER register. Some regulatory domains require that Tx packets may not exceed a certain amount of transmit time.
	18	RES	Reserved
	17	tx_data_underrun_err	Tx data underrun error These error conditions occur on aggregate frames when the underrun condition happens while the MAC is sending the data portion of the frame or delimiters.
	16	tx_delmtr_underrun_err	Tx delimiter underrun error These error conditions occur on aggregate frames when the underrun conditions happens while the MAC is sending delimiters.
	15:12	virtual_retry_cnt	Virtual collision count Reports the number of virtual collisions that occurred before transmission of the frame ended. The counter value saturates at 0xF. A virtual collision refers to the case, as described in the 802.11e QoS specification, in which two or more output queues are contending for a TXOP simultaneously. In such cases, all lower-priority output queues experience a virtual collision in which the frame is treated as if it had been sent on the air but failed to receive an ACK.
	11:8	data_fail_cnt	Data failure count Reports the number of times the actual frame (as opposed to the RTS) was sent but no ACK was received for the final transmission series (see the final_tx_index field).
	7:4	rts_fail_cnt	RTS failure count Reports the number of times an RTS was sent but no CTS was received for the final transmission series (see the final_tx_index field). For frames that have the rts_enable bit clear, this count always will be zero. Note that this count is incremented only when the RTS/CTS exchange fails. In particular, this count is not incremented if the RTS/CTS exchange succeeds but the frame itself fails because no ACK was received.
	3	filtered	Frame transmission filter indication If set, indicates that the frame was not transmitted because the corresponding destination mask bit was set when the frame reached the PCU or if the frame violated TXOP on the first packet of a burst. Valid only if frm_xmit_ok is clear.
	2	fifo_underrun	Tx FIFO underrun flag If set, transmission of the frame failed because the DMA engine was not able to supply the PCU with data as quickly as the baseband was requesting transmit data. Only valid for non-aggregate or non-RIFS underrun conditions unless the underrun occurred on the first packet of the aggregate or RIFS burst. See also the description for tx_delmtr_underrun_err and tx_data_underrun_err. Valid only if frm_xmit_ok is clear.
	1	excessive_retries	Excessive tries flag If set, transmission of the frame failed because the try limit was reached before the frame transmitted. Valid only if frm_xmit_ok is clear.
	0	frm_xmit_ok	Frame transmission success flag If set, the frame was transmitted successfully. If clear, no ACK or BA was received successfully.

Table 5-5. Tx Descriptor Status Format: Words 0–8

Word	Bits	Name	Description	
4	31:0	send_timestamp	Timestamp at start of transmit A snapshot of the lower 32 bits of the PCU timestamp (TSF value). This field can be used to aid the software driver in implementing requirements associated with the aMaxTransmitMSDULifetime MAC attribute. The transmit timestamp is sampled on the rising of tx_frame signal which goes from the MAC to the baseband. This value corresponds to the last attempt at packet transmission not the first attempt.	
5	31:0	ba_bitmap_0-31	Block ACK bitmap 0 to 31 These bits are the values from the block ACK received after the successful transmission of an aggregate frame. If set, bit [0] represents the successful reception of the packet with the sequence number matching the seq_num value.	
6	31:0	ba_bitmap_32-63	Block ACK bitmap 32 to 63 These bits are the values from the block ACK received after the successful transmission of an aggregate frame. If set, bit [32] represents the successful reception of the packet with the sequence number matching the seq_num value + 32.	
7	31:24	ack_rssi_combined	Rx ACK signal strength indicator of combination of all active chains on the control and extension channels. The value of 0x80 (–128) is used to indicate an invalid number.	
	23:16	RES	Reserved	
	15:8	ack_rssi_ant11	Rx ACK signal strength indicator of control channel chain 1 A value of 0x80 (–128) indicates an invalid number.	
	7:0	ack_rssi_ant10	Rx ACK signal strength indicator of control channel chain 0 A value of 0x80 (–128) indicates an invalid number.	
8	31:28	tid	Traffic Identifier (TID) of block ACK Indicates the TID of the response block ACK. This field is only valid on the last descriptor of the last packet of an aggregate.	
	27:26	RES	Reserved	
	25	pwr_mgmt	Power management state Indicates the value of the PwrMgt bit in the frame control field of the response ACK frame.	
	24	txbf_expired_miss	Time expired indication for TXBF When set, indicates two kinds of status:	
			1	The left-time of CV for this transmission destination is lower than the threshold set by software
		2	CV is expired	
	23	txbf_dest_miss	Destination miss indication for TXBF When set, indicates there is no CV for this destination. The PPDU is transmitted out Tx without beamforming.	
22:21	final_tx_index	Final transmission attempt series index Specifies the number of the Tx series that caused frame transmission to terminate.		
20	RES	Reserved		

Table 5-5. Tx Descriptor Status Format: Words 0–8

Word	Bits	Name	Description
8 (Cont.)	19	txbf_stream_miss	Stream miss indication for TxBF When set, indicates that the CV information in CV cache is not enough for transmitting steered PPDU with current Tx rate, but still transmitting this PPDU out without Tx beamforming.
	18	txbf_bw_mismatch	Bandwidth mismatch indication for TxBF If set, shows that the bandwidth of CV data is not same as the bandwidth of transmitting PPDU, then HW will send the PPDU but without Tx beamforming.
	17	txop_exceeded	TXOP has been exceeded Indicates that this transmit frame had to be filtered because the amount of time to transmit this packet sequence would exceeded the TXOP limit. This should only occur when software programs the TXOP limit improperly.
	16:13	RES	Reserved
	12:1	seq_num	The starting sequence number is the value of the Block ACK Starting Sequence Control field in the response Block ACK. Only consulted if the Tx frame was an aggregate.
	0	done	Descriptor completion flag Set to one by the DMA engine when it has finished processing the descriptor and has updated the status information. Valid only for the final descriptor of a non-aggregate frame, regardless of the state of the FrTxOK flag. For an aggregate frame it is valid for only the final descriptor of the final packet of an aggregate. The driver is responsible for tracking what descriptors are associated with a frame. When the DMA engine sets the done flag in the final descriptor of a frame, the driver must be able to determine what other descriptors belong to the same frame and thus also have been consumed.

The DMA Rx logic (the DRU block) manages Rx descriptors and transfers the incoming frame data and status to the host through the PCIE Interface.

Words 0, and 2 are valid for all descriptors. Words 0, 2, and 11 is valid for the last descriptor of each packets. Words 0–11 are valid for the last descriptor of an aggregate or last descriptor of a stand-alone packet. Additional validity qualifiers are described individually. See [Table 5-6](#).

**Table 5-6. DMA Rx Descriptor Format for Words 0–11**

Word	Bits	Name	Description	
0	31:16	atheros_id	The unique Atheros identifier of 0x168C is used to visually identify the start of the descriptor.	
	15	desc_tx_rx	Indicates whether the descriptor is a transmit or receive descriptor. The value should be set to 1 indicating transmit.	
	14	desc_ctrl_stat	Indicates whether the descriptor is a control or status descriptor. The value should be set to 1 indicating status descriptor.	
	13:9	RES	Reserved	
	8	rx_priority	0	Low priority queue
			1	High priority queue
7:0	desc_length	Descriptor length Indicates the number of Dwords in this descriptor. The value should be set to 0x9 (9 Dwords).		
1	31:24	rx_rate	Rx rate indication Indicates the rate at which this frame was transmitted from the source. Encodings match those used for the tx_rate* field in word 5 of the Tx descriptor. Valid only if the frame_rx_ok flag is set or if the frame_rx_ok flag is clear and the phy_error flag is clear.	
	23:16	RES	Reserved	
	15:8	rss_i_ant01	Received signal strength indicator of control channel chain 1 A value of 0x80 (–128) indicates an invalid number.	
	7:0	rss_i_ant00	Received signal strength indicator of control channel chain 0 A value of 0x80 (–128) indicates an invalid number.	
2	31:23	RES	Reserved	
	22	hw_upload_data	Indicates the data carried by current descriptor is that hardware upload for TXBF using (H, V, or CV data). The upload data is valid only when the field hw_upload_data_valid at RXS 4 bit [7] is set. See RXS 11 bit [26:25] hw_upload_data_type to know which data type is uploaded. Valid for all descriptors.	
	21:14	num_delim	Number of zero length pad delimiters after current packet This field does not include the start delimiter which is required between each packet in an aggregate. This field is only valid for aggregate packets except for the last packet of an aggregate.	
	13	RES	Reserved	
	12	more	More descriptors in this frame flag If set, then this is not the final descriptor of the frame. If clear, then this descriptor is the final one of the frame. Valid for all descriptors.	
	11:0	data_len	Received data length Specifies the length, in bytes, of the data actually received into the data buffer associated with this descriptor. The actual received data length will be between zero and the total size of the data buffer, as specified originally in this field (see the description for the buf_len field). Valid for all descriptors.	

Table 5-6. DMA Rx Descriptor Format for Words 0–11

Word	Bits	Name	Description			
3	31:0	rcv_timestamp	A snapshot of the PCU timestamp (TSF value), expressed in $\mu\text{s}$ (that is, bits [31:0] of the PCU 64-bit TSF). Intended for packet logging and packet sniffing. The timestamp is sampled on the rising edge of rx_clear, which goes from the baseband to the MAC.			
4	31:8	RES	Reserved			
	7	hw_upload_data_valid	Specifies whether the contents of the hardware upload data are valid			
	6:5	ness	Receive packet NESS field Shows the number of Rx extension spatial streams.			
	4	not_sounding	Rx packet not sounding flag If this value is clear, then the Rx frame is a sounding PPDU. If this value is set, the receive frame is not a sounding PPDU.			
	3	stbc	Rx packet STBC indicator If this value is set then the baseband has received an STBC frames as indicated in the HT_PLCP.			
	2	duplicate	Rx packet duplicate indicator If this value is set, the baseband has determined that this packet is a duplicate packet.			
	1	20_40	Rx packet 20 or 40 MHz bandwidth indicator If this value is clear, then the receive frame was a HT20 packet (20 MHz bandwidth). If this value is set, then the receive frame was a HT40 packet (40 MHz bandwidth).			
	0	gi	Rx packet guard interval If this value is clear, then the Rx frame used a long guard interval. If this value is set, the Rx frame used a short guard interval.			
5	31:24	rx_combined	Receive signal strength indicator of combination of all active chains on the control and extension channels. The value of 0x80 (–128) is used to indicate an invalid number.			
	23:16	RES	Reserved			
	15:8	rss_i_ant11	Received signal strength indicator of extension channel chain 1 A value of 0x80 (–128) indicates an invalid number.			
	7:0	rss_i_ant10	Received signal strength indicator of extension channel chain 0 A value of 0x80 (–128) indicates an invalid number.			
6	31:0	evm0	Rx packet error vector magnitude 0			
			<b>Bits Mode</b>	<b>HT20 Mode</b>	<b>HT40 Mode</b>	<b>Diagnostic</b>
			evm0[31:24]	pilot1_str0	pilot1_str0	legacy_plcp_byte_1
			evm0[23:16]	RES	RES	legacy_plcp_byte_2
			evm0[15:8]	pilot0_str1	pilot0_str1	legacy_plcp_byte_3
evm0[7:0]	pilot0_str0	pilot0_str0	service_byte_1			
7	31:0	evm1	Rx packet error vector magnitude 1			
			<b>Bits Mode</b>	<b>HT20 Mode</b>	<b>HT40 Mode</b>	<b>Diagnostic</b>
			evm1[31:24]	pilot2_str1	pilot2_str1	service_byte_2
			evm1[23:16]	pilot2_str0	pilot2_str0	ht_plcp_byte_1
			evm1[15:8]	RES	RES	ht_plcp_byte_2
evm1[7:0]	pilot1_str1	pilot1_str1	ht_plcp_byte_3			

Table 5-6. DMA Rx Descriptor Format for Words 0–11

Word	Bits	Name	Description			
8	31:0	evm2	Rx packet error vector magnitude 2			
			<b>Bits Mode</b>	<b>HT20 Mode</b>	<b>HT40 Mode</b>	<b>Diagnostic</b>
			evm2[31:24]	RES	RES	service_byte_4
			evm2[23:16]	pilot3_str1	pilot3_str1	ht_plcp_byte_5
			evm2[15:8]	pilot3_str0	pilot3_str0	ht_plcp_byte_6
		evm2[7:0]	RES	RES	0x0	
9	31:0	evm3	Rx packet error vector magnitude 3			
			<b>Bits Mode</b>	<b>HT20 Mode</b>	<b>HT40 Mode</b>	<b>Diagnostic</b>
			evm3[31:24]	0x80	pilot5_str0	0x0
			evm3[23:16]	0x80	RES	0x0
			evm3[15:8]	0x80	pilot4_str1	0x0
		evm3[7:0]	0x80	pilot4_str0	0x0	
10	31:22	noise_floor	For responding CSI report in explicit TXBF procedure; software needs this information to calculate SNR.			
	21:16	RES	Reserved			
	15:0	evm4	Rx packet error vector magnitude 4			
			<b>Bits Mode</b>	<b>HT20 Mode</b>	<b>HT40 Mode</b>	<b>Diagnostic</b>
		evm4[15:8]	0x80	RES	0x0	
		evm4[7:0]	0x80	pilot4_str1	0x0	
11	31	key_miss	Key cache miss indication When set, indicates that the PCU could not locate a valid decryption key for the frame. Valid only if the frame_rx_ok flag is clear.			
	30	RES	Reserved			
	29	first_agg	First packet of aggregate If set, indicates that this packet is the first packet of an aggregate.			
	28	hi_rx_chain	If set indicates that the Rx chain control in high power mode.			
	27	RES	Reserved			

Table 5-6. DMA Rx Descriptor Format for Words 0–11

Word	Bits	Name	Description		
11 (Cont.)	26:25	hw_upload_data_type	Indicates the hardware upload data (H, V, or CV). The upload data is valid only when the field hw_upload_data_valid at RXS 4 bit [7] is set:		
			01	Upload is H	
			10	Upload is V	
			11	Upload is CV	
			To support a delay response at explicit TXBF, the upload data (H, V, or CV) at different registers configuration:		
			regs_config = {MAC_PCU_H_XFER_TIMEOUT_EXTXBF_IMMEDIATE_RESP, MAC_PCU_H_XFER_TIMEOUT_DELAY_EXTXBF_ONLY_UPLOAD_H, MAC_PCU_H_XFER_TIMEOUT_EXTXBF_NOACK_NORPT}		
			Request report:		
			<b>regs_config</b>	<b>Request CSI</b>	<b>Request V/CV</b>
			{0,0,x}	HW upload H	HW upload V/CV
			{0,1,x}	HW upload H	HW upload H
If regs_config is {1,x,0}, it means hardware supports immediate response even if it does not need to respond to ACK. Hardware will upload H only when the request report is CSI.					
If regs_config is {1,0,1}, it means HW support immediate response but hardware will upload H/V/CV base on request report for delay response if hardware does not need to respond to ACK.					
Request Report:					
<b>regs_config</b>	<b>Request CSI</b>	<b>Request V/CV</b>			
{0,0,x}	HW upload H	HW upload V/CV			
{0,1,x}	HW upload H	HW upload H			
If regs_config is {1,1,1}, the hardware supports immediate response but hardware will only uploads H for a delay response if it does not need to respond to ACK.					
For RTS, hardware only supports a delay response and will upload H, V, or CV to software.					
24:19	RES	Reserved			
18	post_delim_crc_err	Delimiter CRC error is detected after this current frame Only occurs when the start delimiter of the last frame in an aggregate is bad.			
17	aggregate	Aggregate flag If set, indicates that this packet is part of an aggregate.			
16	more_agg	More aggregate flag Set to 1 in all packets of an aggregate that have another packet of the current aggregate to follow. If clear, indicates that this packet is the last one of an aggregate.			
15:9	key_idx	If the FrRxOK bit is set, then this field contains the decryption key table index. If KEY_IDX_VALID is set, then this field specifies the index at which the PCU located the frame's destination address in its on-chip decryption key table. If key_idx_VALID is clear, the value of this field is undefined. If the FrRxOK bit is clear and the PHYErr bit is set, then this field contains bits [7:1] of the PHY error code.			



Table 5-6. DMA Rx Descriptor Format for Words 0–11

Word	Bits	Name	Description
11 (Cont.)	8	key_idx_valid	If frame_rx_ok is set, this field contains the decryption key table index valid flag. If set, indicates that the PCU successfully located the frame's source address in its on-chip key table and that the key_idx field reflects the table index at which the destination address was found. If clear, indicates that PCU failed to locate the destination address in the key table and that the contents of key_idx field are undefined. If the frame_rx_ok bit is clear and the phy_error bit is set, then this field contains bit [0] of the PHY error code.
	7	aspd_trig	Received APSD trigger frame The received frame matched the profile of an APSD trigger frame.
	6	pre_delim_crc_err	Delimiter CRC error detected before this current frame. May indicate that an entire packet may have been lost.
	5	mic_error	Michael integrity check error flag If set, then the frame TKIP Michael integrity check value did not verify correctly. Valid only when all of the following are true: <ul style="list-style-type: none"> <li>■ frame_rx_ok bit is set</li> <li>■ The frame was decrypted using TKIP key type</li> <li>■ The frame is not a fragment</li> </ul>
	4	phy_error	PHY error flag If set, then reception of the frame failed because the PHY encountered an error. In this case, bits [15:8] of this word indicate the specific type of PHY error; see the baseband specification for details. Valid only if the frame_rx_ok flag is clear.
	3	decrypt_crc_err	Decryption CRC failure flag If set, reception of the frame failed because the frame was marked as encrypted but the PCU was unable to decrypt the frame properly because the CRC check failed after the decryption process completed. Valid only if the frame_rx_ok flag is clear.
	2	crc_error	CRC error flag If set, reception of the frame failed because the PCU detected an incorrect CRC value. Valid only if the frame_rx_ok flag is clear.
	1	frame_rx_ok	Frame reception success flag. If set, the frame was received successfully. If clear, an error occurred during frame reception.
	0	done	Descriptor completion flag Set to one by the DMA engine when it has finished processing the descriptor and has updated the status information. Valid for all descriptors.

#### 5.4 Queue Control Unit (QCU)

The queue control unit performs two tasks:

- Managing the Tx descriptor chain processing for frames pushed to the QCU from the CPU by traversing the linked list of Tx descriptors and transferring frame data from the host to the targeted DCU.
- Managing the queue transmission policy to determine when the frame at the head of the queue should be marked as available for transmission.

The MAC contains ten QCUs. Each QCU contains all the logic and state registers needed to manage a single queue (linked list) of Tx descriptors. A QCU is associated with exactly one DCU. When a QCU prepares a new frame, it signals ready to the DCU. When the DCU accepts the frame, the QCU responds by getting the frame data and passing it to the DCU for eventual transmission to the PCU and on to the air.

The host controls how the QCU performs these tasks by writing to various QCU configuration registers.

#### 5.5 DCF Control Unit (DCU)

Collectively, the ten DCUs implement the EDCF channel access arbitration mechanism defined in the Task Group E (TGe) QoS extension to the 802.11 specification. Each DCU is associated with one of the eight EDCF priority levels and arbitrates with the other DCUs on behalf of all QCUs associated with it. A central DCU arbiter monitors the state of all DCUs and grants one the next access to the PCU (that is, access to the channel).

Because the EDCF standard defines eight priority levels, the first eight DCUs (DCUs 0–7) map directly to the eight EDCF priority levels. The two additional DCUs handle beacons and beacon-gated frames for a total of ten DCUs.

The mapping of physical DCUs to absolute channel access priorities is fixed and cannot be altered by software:

The highest-priority DCU is DCU 9. Typically, this DCU is the one associated with beacons.

The next highest priority DCU is DCU 8. Typically, this DCU is the one associated with beacon-gated frames.

The remaining eight DCUs priority levels are filled with DCUs 7 through 0. Among these 8 DCUs, DCU 7 has highest priority, DCU 6 the next highest priority, and so on through DCU 0, which has the lowest priority. Typically, these DCUs are associated with EDCF priorities seven through zero, respectively.

### 5.5.1 DCU State Information

Each DCU maintains sufficient state information to implement EDCF channel arbitration. Table 5-7 lists basic DCU state registers. (See “DCF Control Unit (DCU)” on page 106).

Table 5-7. DCU Registers

Register	Size	Page
“QCU Mask (D_QCUMASK)”	32	page 241
“Retry Limits (D_RETRY_LIMIT)”	32	page 242
“ChannelTime Settings (D_CHNTIME)”	32	page 242
“Misc. DCU-Specific Settings (D_MISC)”	32	page 243
“DCU-Global IFS Settings: SIFS Duration (D_GBL_IFS_SIFS)”	32	page 243
“DCU-Global IFS Settings: Slot Duration (D_GBL_IFS_SLOT)”	32	page 243
“DCU-Global IFS Settings: EIFS Duration (D_GBL_IFS{EIFS)”	32	page 244
“DCU-Global IFS Settings: Misc. Parameters (D_GBL_IFS_MISC)”	32	page 244
“DCU Tx Pause Control/Status (D_TXPSE)”	32	page 245
“DCU Transmission Slot Mask (D_TXSLOTMASK)”	32	page 245

### 5.6 Protocol Control Unit (PCU)

The PCU is responsible for the details of sending a frame to the baseband logic for transmission, for receiving frames from the baseband logic and passing the frame data to the DRU, including:

- Buffering Tx and Rx frames
- Encrypting and decrypting
- Generating ACK, RTS, and CTS frames
- Maintaining the timing synchronization function (TSF)
- Forming aggregate
- Maintaining sequence state and generating Block ACK.
- Inserting and verifying FCS
- Generating virtual clear channel assessment (CCA)
- Updating and parsing beacons
- The PCU is primarily responsible for buffering outgoing and incoming frames and conducting medium access compatible with the IEEE 802.11 DCF protocol.

Figure 5-1 shows the PCU functional block diagram.

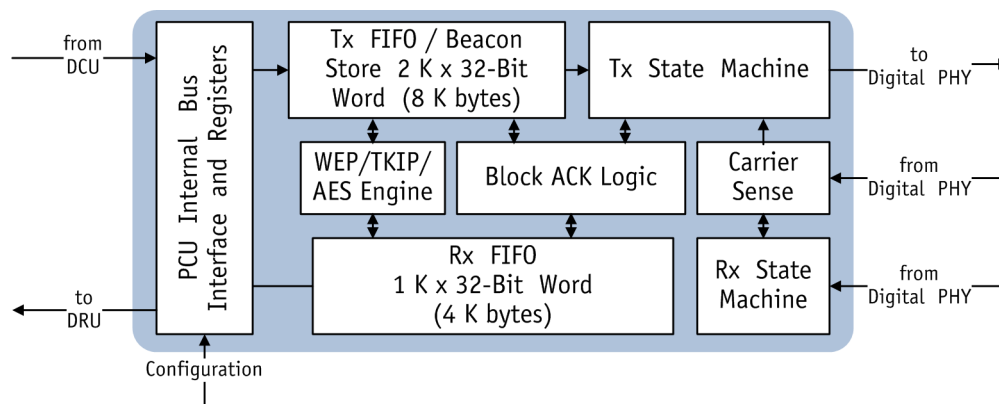


Figure 5-2. PCU Functional Block Diagram



## 6. Digital PHY Block

The digital physical layer (PHY) block is described in 802.11n mode and 802.11 a/b/g legacy mode. Transmit and receive paths are provided and shown as block diagrams for 802.11n mode.

### 6.1 Overview

The digital PHY block is a half-duplex, OFDM, CCK, DSSS baseband processor compatible with IEEE 802.11n and 802.11a/b/g. The AR9382 supports both 20- and 40-MHz channel modes and data rates up to 300 Mbps defined by the IEEE 802.11a/b/g/n standards. Modulation schemes include BPSK, QPSK, 16-QAM, 64-QAM and forward error correction coding with rates of 1/2, 2/3, 3/4, 5/6.

All three 802.11n advanced features, Space Time Block Code (STBC), Low-Density Parity Check (LDPC) and Tx beamforming, are supported in the AR9382 chip. In addition, many new performance enhancing features are included, such as maximum likelihood (ML) MIMO receiver, and maximum ratio combining (MRC) for OFDM and 802.11b packet detection.

### 6.2 802.11n (MIMO) Mode

Frames beginning with training symbols are used for signal detection, automatic gain control, frequency offset estimation, symbol timing, and channel estimation. This process uses 56 sub-carriers for 20-MHz HT mode: 52 for data transmission and 4 for pilots. It uses 114 sub-carriers for 40-MHz HT mode: 108 for data transmission and 6 for pilots.

#### 6.2.1 Transmitter (Tx)

Figure 6-1 shows the Tx path digital PHY 802.11n (MIMO mode) block diagram.

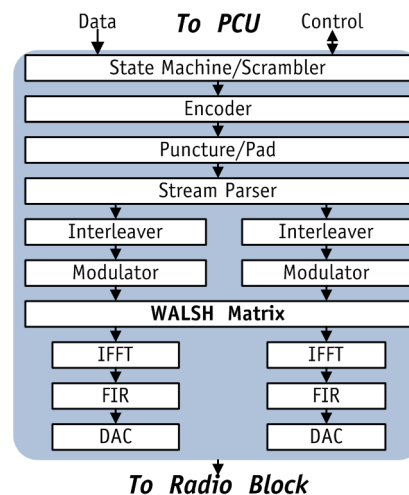


Figure 6-1. Digital PHY 802.11n Tx

The PCU block initiates transmission. The digital PHY powers on the digital to analog converter (DAC) and transmit the training symbol. The training symbols are a fixed waveform and are generated within the digital PHY in parallel with the PCU sending the Tx header (frame length, data rate, etc.). The PCU must send transmitted data quickly enough to prevent buffers in the digital PHY from becoming empty. The PCU is prevented from sending data too quickly by pauses generated within the digital PHY.

Figure 6-1 shows a 2x2 MIMO system with three spatial data streams. The spatial parser splits the coded data into multiple data streams by allocating the proper number of bits to each data stream so that the number of data symbols resulted in each stream is the same. Then it interleaves coded bits across different data subcarriers followed by the modulation. To achieve the maximum spatial diversity for one-stream and two-stream transmission, the Walsh matrix orthogonally spreads the modulated stream(s) into three Tx antennas before undergoing IFFT processing to produce time domain signals.

### 6.2.2 Receiver (Rx)

Figure 6-2 shows the Rx path digital PHY 802.11n (MIMO mode) block diagram.

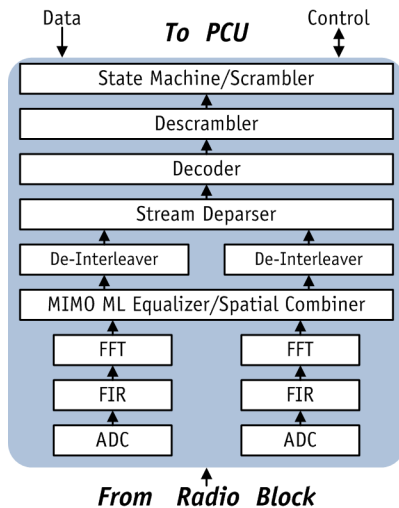


Figure 6-2. Digital PHY 802.11n Rx

The receiver inverts the transmitter's steps, performing a fast Fourier transform (FFT), extracting bits from received constellations, de-interleaving, accounting for puncturing, decoding, and descrambling. The Rx block shows 2x2 MIMO configuration. Figure 6-2 shows a frequency-domain Maximum Likelihood (ML) equalizer handling degradation due to multi-path.

### 6.3 802.11a/b/g Legacy Mode

#### 6.3.1 Transmitter

The AR9382 digital PHY incorporates an OFDM and DSSS transceiver that supports all data rates defined by IEEE 802.11a/b/g. Legacy mode is detected on per-frame basis. PLCP frames are detected for legacy network information. The transmitter switches dynamically to generate legacy signals (802.11b/g in 2.4 GHz and 802.11a in 5 GHz).

#### 6.3.2 Receiver

The receiver is capable of dynamically detecting legacy, HT 20 MHz or 40 MHz frames and will demodulate the frame according to the detected frame type. Maximum ratio combining (MRC) is used for OFDM and 802.11b packet detection.

## 7. Radio Block

The transceiver of the AR9344 solution consists of these major functional blocks:

- 2 x Receive chain  
Each chain = Radio + BB programmable gain filter
- 2 x Transmit chain  
Each chain = Radio + BB programmable gain filter
- Frequency synthesizer (SYNTH)
- Associated bias/control (BIAS)

See [Figure 7-1](#).

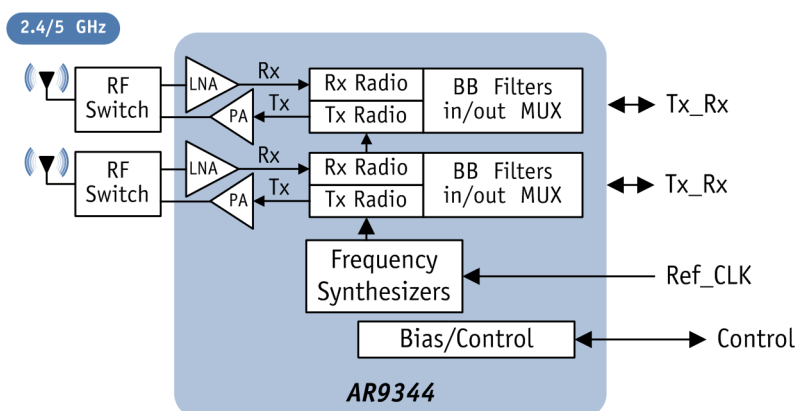


Figure 7-1. Radio Functional Block Diagram

## 7.1 Receiver (Rx) Block

The receiver converts an RF signal (with 20 MHz or 40 MHz bandwidth) to baseband I and Q outputs. The dual band receiver operates in the 2.4 GHz and 5 GHz bands to support CCK and OFDM signals for 802.11a, 802.11b, 802.11g, and 802.11n.

The 2.4 GHz receiver implements a direct-conversion architecture. The 5 GHz receiver implements a dual-conversion architecture that eliminates the need for an external intermediate frequency filter while providing the advantages of traditional heterodyne approaches.

The 2.4 GHz receiver consists of a low noise amplifier (LNA), a pair of quadrature radio frequency (RF) mixers, and in-phase (I) and quadrature (Q) baseband programmable gain filter/amplifiers (PGA). The mixers convert the output of the on-chip LNA to baseband I and Q signals. The I and Q signals are low-pass filtered and amplified by a baseband programmable gain filter controlled by digital logic. The baseband signals are sent to the ADC within the MAC/Baseband processor.

The 5 GHz receiver consists of an LNA, a RF variable gain amplifier (VGA), quadrature RF and intermediate frequency (IF) mixers, and I and Q baseband PGA. The mixer(s) convert the output of the RF VGA to baseband I and Q signals. The I and Q signals are low-pass filtered and amplified by a baseband programmable gain filter controlled by digital logic. The baseband signals are sent to the ADC within the MAC/Baseband processor.

The DC offset of the receive chain is reduced using multiple DACs controlled by the MAC/Baseband processor. Additionally, the receive chain can be digitally powered down to conserve power.

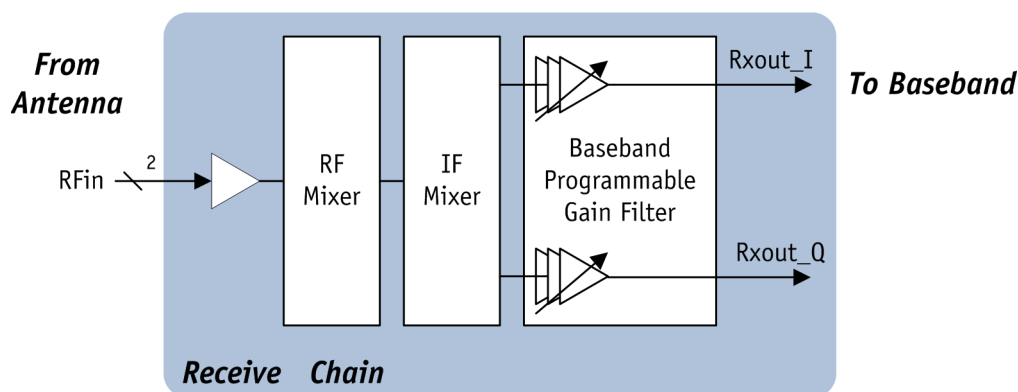


Figure 7-2. Radio Receive Chain Block Diagram



## 7.2 Transmitter (Tx) Block

The transmitter converts baseband I and Q inputs to 2.4/5 GHz RF outputs as shown in Figure 7-3. The inputs to the transmitter are current outputs of the I and Q DAC within the MAC/Baseband processor. These currents are low-pass filtered through an on-chip reconstruction filter to remove spectral images and out-of-band quantization noise.

The I and Q signals are converted to RF signals using an integrated up-conversion architecture.

For 2.4 GHz transmitter, the baseband I and Q signals are up-converted directly to RF using a pair of quadrature mixers. For 5 GHz transmitter, the baseband I and Q signals are up-converted to RF using a pair of IF quadrature mixers and a pair of RF quadrature mixers. The up-converted RF signals are driven off-chip through a power amplifier.

The transmit chain can be digitally powered down to conserve power. To ensure that the FCC limits are observed and the output power stays close to the maximum allowed, the transmit output power is adjusted by a digitally programmed control loop at the start of each packet. The AR9344 provides an open loop power control based on an on-chip temperature sensor.

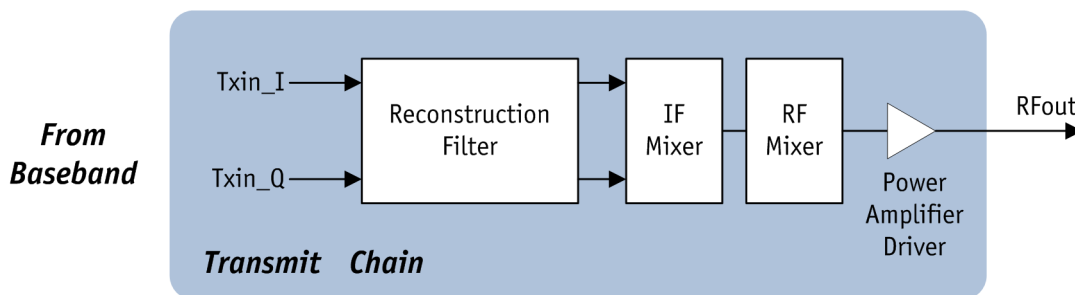


Figure 7-3. Radio Transmit Chain Block Diagram

### 7.3 Synthesizer (SYNTH) Block

The radio supports an on-chip synthesizer to generate local oscillator (LO) frequencies for the receiver and transmitter mixers. The synthesizer has the topology shown in Figure 7-4. The AR9344 generates the reference input from a 40 MHz crystal for the synthesizer. An on-chip voltage controlled oscillator (VCO) provides the desired LO signal based on a phase locked loop.

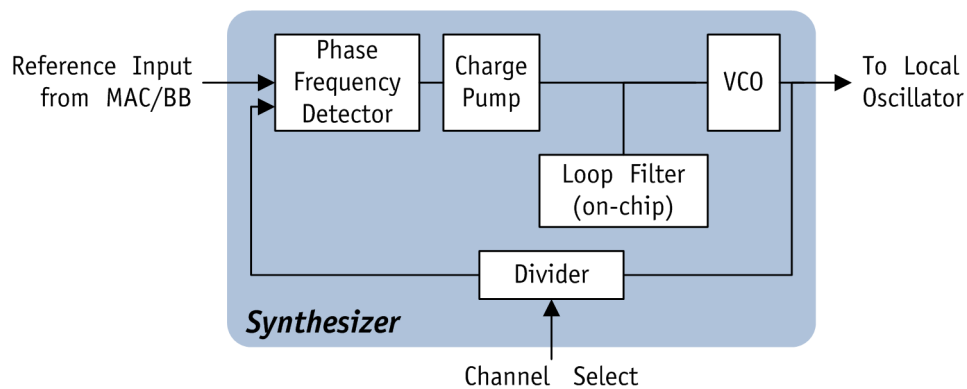


Figure 7-4. Radio Synthesizer Block Diagram

### 7.4 Bias/Control (BIAS) Block

The bias/control block provides the reference voltages and currents for all other circuit blocks (see Figure 7-5). An on-chip bandgap reference circuit provides the needed voltage and current references based on an external 6.19 K $\Omega$   $\pm$ 1% resistor.

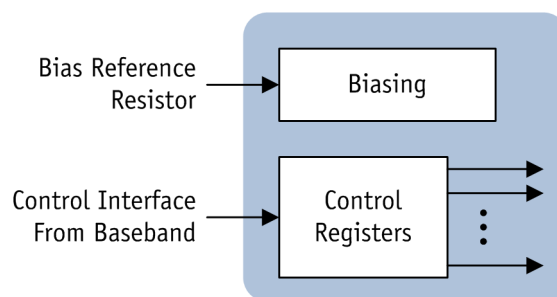


Figure 7-5. Bias/Control Block Diagram

## 8. Register Descriptions

These sections describe the internal registers for the various AR9344 blocks.

Table 8-1 summarizes the CPU mapped registers for the AR9344.

Table 8-1. CPU Mapped Registers Summary

Address	Description	Page
0x18000000–0x18000128	DDR Registers	page 116
0x18020000–0x18020018	UART0 (Low-Speed) Registers	page 125
0x18040000–0x1804006C	GPIO Registers	page 130
0x18050000–0x18050048	PLL Control Registers	page 138
0x18060000–0x1806405C	Reset Control Registers	page 146
0x18070000–0x18070010	GMAC Interface Registers	page 153
0x18080000–0x1808305C	GMAC0 Ingress NAT/Egress NAT Registers	page 155
0x180A0000–0x180A006C	MBOX Registers	page 189
0x180A9000–0x180A9024	SLIC Registers	page 200
0x180B0000–0x180B0018	Stereo Registers	page 204
0x180B8000–0x180B8024	MDIO Registers	page 208
0x180C0000–0x180F005C	PCIE RC Registers	page 209
0x18100008–0x18100104	WDMA Registers	page 218
0x18100800–0x18100A44	WQCU Registers	page 234
0x18101000–0x18101F04	WDCU Registers	page 241
0x18107000–0x18107058	RTC Registers	page 246
0x18108000–0x1810E000	WPCU Registers	page 252
0x180C0000–0x180C003E	PCIE Configuration Space Registers	page 286
0x18400000–0x18400054	Checksum Registers	page 293
0x18500000–0x18500010	UART1 (High-Speed) Registers	page 299
0x19000000–0x190001D8 0x1A000000–0x1A0001D8	GMAC0/GMAC1 Registers	page 303
0x1B000100–0x1B00017C	USB Controller Registers	page 358
0x1B000200–0x1B0002B4	NAND Flash Registers	page 387
0x18127800–0x18127D18, 0x00000000–0x00000F18	PCIE EP DMA Registers	page 402
0x1FFF0000–0x1FFF0018	Serial Flash SPI Registers	page 409
0x0000–0x00FC 0x0100–0x0124	Ethernet Switch Registers	page 412

## 8.1 DDR Registers

Table 8-1 summarizes the DDR registers for the AR9344.

Table 8-2. **DDR Registers Summary**

Address	Name	Description	Page
0x18000000	DDR_CONFIG	DDR DRAM Configuration	<a href="#">page 117</a>
0x18000004	DDR_CONFIG2	DDR DRAM Configuration 2	<a href="#">page 117</a>
0x18000008	DDR_MODE_REGISTER	DDR Mode Value	<a href="#">page 117</a>
0x1800000C	DDR_EXTENDED_MODE_REGISTER	DDR Extended Mode Value	<a href="#">page 118</a>
0x18000010	DDR_CONTROL	DDR Control	<a href="#">page 118</a>
0x18000014	DDR_REFRESH	DDR Refresh Control and Configuration	<a href="#">page 118</a>
0x18000018	DDR_RD_DATA_THIS_CYCLE	DDR Read Data Capture Bit Mask	<a href="#">page 118</a>
0x1800001C	TAP_CONTROL_0	DQS Delay Tap Control for Byte 0	<a href="#">page 119</a>
0x18000020	TAP_CONTROL_1	DQS Delay Tap Control for Byte 1	<a href="#">page 119</a>
0x18000024	TAP_CONTROL_2	DQS Delay Tap Control for Byte 2	<a href="#">page 119</a>
0x18000028	TAP_CONTROL_3	DQS Delay Tap Control for Byte 3	<a href="#">page 120</a>
0x1800009C	DDR_WB_FLUSH_GMAC0	GMAC0 Interface Write Buffer Flush	<a href="#">page 120</a>
0x180000A0	DDR_WB_FLUSH_GMAC1	GMAC1 Interface Write Buffer Flush	<a href="#">page 120</a>
0x180000A4	DDR_WB_FLUSH_USB	USB Interface Write Buffer Flush	<a href="#">page 121</a>
0x180000A8	DDR_WB_FLUSH_PCIE	PCIE Interface Write Buffer Flush	<a href="#">page 121</a>
0x180000AC	DDR_WB_FLUSH_WMAC	WMAC Interface Write Buffer Flush	<a href="#">page 121</a>
0x180000B0	DDR_WB_FLUSH_SRC1	SRC1 Interface Write Buffer Flush	<a href="#">page 121</a>
0x180000B4	DDR_WB_FLUSH_SRC2	SRC2 Interface Write Buffer Flush	<a href="#">page 121</a>
0x180000B8	DDR_DDR2_CONFIG	DDR2 Configuration	<a href="#">page 122</a>
0x180000BC	DDR_EMR2	DDR Extended Mode 2 Value	<a href="#">page 122</a>
0x180000C0	DDR_EMR3	DDR Extended Mode 3 Value	<a href="#">page 122</a>
0x180000CC	AHB_MASTER_TIMEOUT_MAX	AHB Master Timeout Control	<a href="#">page 122</a>
0x180000D0	AHB_MASTER_TIMEOUT_CURNT	AHB Timeout Current Count	<a href="#">page 123</a>
0x180000D4	AHB_MASTER_TIMEOUT_SLAVE_ADDR	Timeout Slave Address	<a href="#">page 123</a>
0x18000108	DDR_CTL_CONFIG	DDR Control Configuration	<a href="#">page 123</a>
0x18000110	DDR_SF_CTL	DDR Self Refresh	<a href="#">page 124</a>
0x18000114	SF_TIMER	DDR Self Refresh Timer	<a href="#">page 124</a>
0x18000128	WMAC_FLUSH	WMAC Flush	<a href="#">page 124</a>

### 8.1.1 DRR DRAM Configuration (DDR\_CONFIG)

Address: 0x18000000  
 Access: Read/Write  
 Reset: See field description

This register is used to configure the DDR DRAM parameters.

Bit	Bit Name	Reset	Description
31	CAS_LATENCY_MSB	0x0	DRAM CAS latency parameter MSB rounded up in memory core clock cycles
30	RES	0x1	Reserved
29:27	CAS_LATENCY	0x6	DRAM CAS latency parameter (first 3 bits) rounded up in memory core clock cycles. CAS_LATENCY is used by the hardware to estimate the internal DDR clock latency of a read. It should be greater than or equal to GATE_OPEN_LATENCY as specified in the DDR_CONFIG2 register. The value of this register should be $\text{memory cas\_latency} * 2$ or $\text{cas\_latency} * 2 + 1/2/3$ .
26:23	TMRD	0xF	DRAM tMRD parameter rounded up in memory core clock cycles
22:17	TRFC	0x1F	DRAM tRFC parameter rounded up in memory core clock cycles
16:13	TRRD	0x4	DRAM tRRD parameter rounded up in memory core clock cycles
12:9	TRP	0x6	DRAM tRP parameter rounded up in memory core clock cycles
8:5	TRCD	0x6	DRAM tRCD parameter rounded up in memory core clock cycles
4:0	TRAS	0x10	DRAM tRAS parameter rounded up in memory core clock cycles

### 8.1.2 DDR DRAM Configuration 2 (DDR\_CONFIG2)

Address: 0x18000004  
 Access: Read/Write  
 Reset: See field description

Bit	Bit Name	Reset	Description
31:30	RES	—	Reserved
29:26	GATE_OPEN_LATENCY	0x6	DRAM gate open latency parameter rounded up in memory core clock cycles
25:21	TWTR	0xE	DRAM tWTR parameter rounded up in memory core clock cycles
20:17	TRTP	0x8	DRAM read to precharge parameter rounded up in memory core clock cycles. The normal value is two clock cycles.
16:12	TRTW	0x10	DRAM tRTW parameter rounded up in memory core clock cycles. The value should be calculated as $\text{CAS LATENCY} + \text{BURST LENGTH} + \text{BUS TURN AROUND TIME}$ .
11:8	TWR	0x6	DRAM tWR parameter rounded up in memory core clock cycles
7	CKE	0x1	DRAM CKE bit
6:0	RES	0x28	Reserved

### 8.1.3 DDR Mode Value (DDR\_MODE\_REGISTER)

Address: 0x18000008  
 Access: Read/Write  
 Reset: See field description

This register is used to set the DDR mode register value.

Bit	Bit Name	Reset	Description
31:13	RES	0x0	Reserved. Must be written with zero. Contains zeros when read.
12:0	VALUE	0x133	Mode register value. Reset to CAS 3, BL=8, sequential, DLL reset off.

**8.1.4 DDR Extended Mode (DDR\_EXTENDED\_MODE\_REGISTER)**

Address: 0x1800000C

Access: Read/Write

Reset: See field description

This register is used to set the extended DDR mode register value.

Bit	Bit Name	Reset	Description
31:13	RES	0x0	Reserved. Must be written with zero. Contains zeros when read.
12:0	VALUE	0x2	Extended mode register value. Reset to weak driver, DLL on.

**8.1.5 DDR Control (DDR\_CONTROL)**

Address: 0x18000010

Access: Read/Write

Reset: 0x0

This register is used to force update cycles in the DDR control.

Bit	Bit Name	Description
31:6	RES	Reserved
5	EMR3S	Forces an EMR3 update cycle
4	EMR2S	Forces an EMR2 update cycle
3	PREA	Forces a PRECHARGE ALL cycle
2	REF	Forces an AUTO REFRESH cycle
1	EMRS	Forces an EMRS update cycle
0	MRS	Forces an MRS update cycle

**8.1.6 DDR Refresh Control and Configuration (DDR\_REFRESH)**

Address: 0x18000014

Access: Read/Write

Reset: See field description

This register is used to configure the settings to refresh the DDR,

Bit	Bit Name	Reset	Description
31:15	RES	0x0	Reserved
14	ENABLE	0x0	Setting this bit to one will enable a DDR refresh
13:0	PERIOD	0x12C	Sets the refresh period intervals with respect to the ref clock (25 MHz/40 MHz)

**8.1.7 DDR Read Data Capture Bit Mask (DDR\_RD\_DATA\_THIS\_CYCLE)**

Address: 0x18000018

Access: Read/Write

Reset: See field description

This register is used to set the parameters to read the DDR and capture bit masks.

Bit	Bit Name	Reset	Description
31:0	VEC	0xFF	DDR read and capture bit mask. Each bit represents a cycle of valid data. Set to 0xFF for 32 bit wide memory systems and 0xFFFF for 16 bit wide memory systems. Set to 0xFFFF_FFFF for SDRAM x16 mode.

### 8.1.8 DQS Delay Tap Control for Byte 0 (TAP\_CONTROL\_0)

Address: 0x1800001C

Access: Read/Write

Reset: See field description

This register is used along with DQ Lane 0, DQ[7:0], DQS\_0.

Bit	Bit Name	Reset	Description
31:17	RES	0x0	Reserved
16	TAP_H_BYPASS	0x0	Set to 1 to bypass the higher 4-level coarse delay line
15:10	RES	0x0	Reserved
9:8	TAP_H	0x0	Tap setting for higher 4-level coarse delay line
7:5	RES	0x0	Reserved
4:0	TAP_L	0x5	Tap setting for lower 4-level coarse delay line

### 8.1.9 DQS Delay Tap Control for Byte 1 (TAP\_CONTROL\_1)

Address: 0x18000020

Access: Read/Write

Reset: See field description

This register is used along with DQ Lane 1, DQ[15:8], DQS\_1.

Bit	Bit Name	Reset	Description
31:17	RES	0x0	Reserved
16	TAP_H_BYPASS	0x0	Set to 1 to bypass the higher 32-level delay chain
15:10	RES	0x0	Reserved
9:8	TAP_H	0x5	Tap setting for higher 4-level coarse delay line
7:5	RES	0x0	Reserved
4:0	TAP_L	0x5	Tap setting for lower 32-level delay chain

### 8.1.10 DQS Delay Tap Control for Byte 2 (TAP\_CONTROL\_2)

Address: 0x18000024

Access: Read/Write

Reset: See field description

This register is used along with DQ Lane 2, DQ[23:16], DQS\_2.

Bit	Bit Name	Reset	Description
31:17	RES	0x0	Reserved
16	TAP_H_BYPASS	0x0	Set to 1 to bypass the higher 4-level coarse delay line
15:10	RES	0x0	Reserved
9:8	TAP_H	0x5	Tap setting for higher 4-level coarse delay line
7:5	RES	0x0	Reserved
4:0	TAP_L	0x5	Tap setting for lower 4-level coarse delay line

**8.1.11 DQS Delay Tap Control for Byte 3 (TAP\_CONTROL\_3)**

Address: 0x18000028

Access: Read/Write

Reset: See field description

This register is used along with DQ Lane 3, DQ[31:24], DQS\_3.

Bit	Bit Name	Reset	Description
31:17	RES	0x0	Reserved
16	TAP_H_BYPASS	0x0	Set to 1 to bypass the higher 4-level coarse delay line
15:10	RES	0x0	Reserved
9:8	TAP_H	0x5	Tap setting for higher 4-level coarse delay line
7:5	RES	0x0	Reserved
4:0	TAP_L	0x5	Tap setting for lower 4-level coarse delay line

**8.1.12 GMAC0 Interface Write Buffer Flush (DDR\_WB\_FLUSH\_GMAC0)**

Address: 0x1800009C

Access: Read/Write

Reset: 0x0

This register is used to flush the write buffer for the GMAC0 interface.

Bit	Bit Name	Description
31:1	RES	Reserved. Must be written with zero. Contains zeros when read.
0	FLUSH	Set this bit to 1 to flush the write buffer for the GMAC0 interface. This bit will reset to 0 when the flush is complete.

**8.1.13 GMAC1 Interface Write Buffer Flush (DDR\_WB\_FLUSH\_GMAC1)**

Address: 0x180000A0

Access: Read/Write

Reset: 0x0

This register is used to flush the write buffer for the GMAC1 interface.

Bit	Bit Name	Type	Reset	Description
31:1	RES	RO	0x0	Reserved. Must be written with zero. Contains zeros when read.
0	FLUSH	RW	0x0	Set this bit to 1 to flush the write buffer for the GMAC1 interface. This bit will reset to 0 when the flush is complete.

**8.1.14 USB Interface Write Buffer Flush (DDR\_WB\_FLUSH\_USB)**

Address: 0x180000A4

Access: Read/Write

Reset: 0x0

This register is used to flush the write buffer for the USB interface.

Bit	Bit Name	Type	Reset	Description
31:1	RES	RO	0x0	Reserved. Must be written with zero. Contains zeros when read.
0	FLUSH	RW	0x0	Set this bit to 1 to flush the write buffer for the USB interface. This bit will reset to 0 when the flush is complete.



**8.1.15 PCIE Interface Write Buffer Flush (DDR\_WB\_FLUSH\_PCIE)**

Address: 0x180000A8  
 Access: Read/Write  
 Reset: 0x0

This register is used to flush the write buffer for the PCIE interface.

Bit	Bit Name	Type	Reset	Description
31:1	RES	RO	0x0	Reserved. Must be written with zero. Contains zeros when read.
0	FLUSH	RW	0x0	Set this bit to 1 to flush the write buffer for the PCIE interface. This bit will reset to 0 when the flush is complete.

**8.1.16 WMAC Interface Write Buffer Flush (DDR\_WB\_FLUSH\_WMAC)**

Address: 0x180000AC  
 Access: Read/Write  
 Reset: 0x0

This register is used to flush the write buffer for the WMAC interface.

Bit	Bit Name	Type	Reset	Description
31:1	RES	RO	0x0	Reserved. Must be written with zero. Contains zeros when read.
0	FLUSH	RW	0x0	Set this bit to 1 to flush the write buffer for the WMAC interface. This bit will reset to 0 when the flush is complete.

**8.1.17 SRC1 Interface Write Buffer Flush (DDR\_WB\_FLUSH\_SRC1)**

Address: 0x180000B0  
 Access: Read/Write  
 Reset: 0x0

This register is used to flush the write buffer for the SRC1 (PCIE EP) interface.

Bit	Bit Name	Type	Reset	Description
31:1	RES	RO	0x0	Reserved. Must be written with zero. Contains zeros when read.
0	FLUSH	RW	0x0	Set this bit to 1 to flush the write buffer for the SRC1 interface. This bit will reset to 0 when the flush is complete.

**8.1.18 SRC2 Interface Write Buffer Flush (DDR\_WB\_FLUSH\_SRC2)**

Address: 0x180000B4  
 Access: Read/Write  
 Reset: 0x0

This register is used to flush the write buffer for the SRC2 (checksum engine) interface.

Bit	Bit Name	Type	Reset	Description
31:1	RES	RO	0x0	Reserved. Must be written with zero. Contains zeros when read.
0	FLUSH	RW	0x0	Set this bit to 1 to flush the write buffer for the SRC2 interface. This bit will reset to 0 when the flush is complete.

**8.1.19 DDR2 Configuration (DDR\_DDR2\_CONFIG)**

Address: 0x180000B8

Access: Read/Write

Reset: 0x0858

Bit	Bit Name	Type	RW	Description	
31:14	RES	RO	0x0	Reserved	
13:10	DDR2_TWL	RW	0x1	Delays driving the data signals for writing commands with respect to command issue by TWL DDR clocks	
9:8	RES	RO	0x0	Reserved	
7:2	DDR2_TFAW	RW	0x16	tFAW parameter in core DDR_CLK cycles	
1	RES	RW	0x0	Reserved	
0	ENABLE_DDR	RW	0x0	0	DDR1
				1	DDR2

**8.1.20 DDR EMR2 (DDR\_EMR2)**

Address: 0x180000BC

Access: Read/Write

Reset: 0x0

This register is used set the extended mode register 2 value.

Bit	Bit Name	Type	Reset	Description
31:13	RES	RO	0x0	Reserved. Must be written with zero. Contains zeros when read.
12:0	VALUE	RW	0x0	Extended mode register 2 value, reset to weak driver, DLL on

**8.1.21 DDR EMR3 (DDR\_EMR3)**

Address: 0x180000C0

Access: Read/Write

Reset: 0x0

This register is used set the extended mode register 3 value.

Bit	Bit Name	Type	Reset	Description
31:13	RES	RO	0x0	Reserved. Must be written with zero. Contains zeros when read.
12:0	VALUE	RW	0x0	Extended mode register 3 value, reset to weak driver, DLL on

**8.1.22 AHB Master Timeout Control (AHB\_MASTER\_TIMEOUT\_MAX)**

Address: 0x180000CC

Access: Read/Write

Reset: 0x0

This register specifies the maximum timeout value of the AHB master control.

Bit	Bit Name	Type	Reset	Description
31:20	RES	RO	0x0	Reserved. Must be written with zero. Contains zeros when read.
19:0	VALUE	RW	0x8000	Maximum time out value

**8.1.23 AHB Timeout Current Count (AHB\_MASTER\_TIMEOUT\_CURNT)**

Address: 0x180000D0  
 Access: Read/Write  
 Reset: 0x0

This register specifies the current AHB timeout value.

Bit	Bit Name	Type	Reset	Description
31:20	RES	RO	0x0	Reserved. Must be written with zero. Contains zeros when read.
19:0	VALUE	RO	0x0	Current time out value

**8.1.24 Timeout Slave Address (AHB\_MASTER\_TIMEOUT\_SLV\_ADDR)**

Address: 0x180000D4  
 Access: Read/Write  
 Reset: 0x0

This register specifies the maximum timeout value to access the slave address space.

Bit	Bit Name	Type	Reset	Description
31:0	ADDR	RO	0x0	Maximum time out value

**8.1.25 DDR Controller Configuration (DDR\_CTL\_CONFIG)**

Address: 0x18000108  
 Access: Read/Write  
 Reset: 0x0

This register specifies the control bits for the DDR.

Bit	Bit Name	Type	Reset	Description
31:30	SDRAM_TSEL	RW	0x1	Should not be modified.
29:21	CLIENT_ACTIVITY	RO	0x0	Indicates if there is currently any activity in each of the AHB/AXI/OCP clients connected to the DDR
20:2	RES	RW	0x43	Reserved
1	HALF_WIDTH	RW	0x1	Set to one for x16 DDR configurations
0	SDRAM_MODE_EN	RW	0x0	SDRAM interface enable

**8.1.26 DDR Self Refresh Control (DDR\_SF\_CTL)**

Address: 0x18000110

Access: Read/Write

Reset: 0x0

This register specifies the settings for the DDR self refresh mode.

Bit	Bit Name	Type	Reset	Description
31	EN_SELF_REFRESH	RW	0x0	Setting this bit will initiate entering self refresh mode. This bit can be cleared by S/W or H/W if the auto exit is enabled
30	EN_AUTO_SF_EXIT	RW	0x0	Setting this bit will initiate exiting self refresh mode upon request from any AHB/AXI master
29	CUR_SR_STATE	RO	0x0	Indicates if the DDR is currently in self refresh mode
28	CUR_CKE_STATE	RO	0x0	Indicates if the DDR CKE is high or low
27	EN_SF_CLK_GATING	RW	0x0	Setting this bit gates CK_P and CK_N during self refresh mode
26:25	CKE_GATE_DLY_SEL	RW	0x0	Determines the delay of the CKE assertion from CK_P and stops gating when exiting self refresh mode
24:21	RES	RO	0x0	Reserved. Must be written with zero. Contains zeros when read.
20:18	NO_ACTIVITY_CNTR	RO	0x0	Indicates the duration on no activity in the AHB/AXI clients of the DDR in terms of the DDR refresh period
17:8	TXSRD	RW	0x1C2	Indicates XSND parameter of the memory in the number of DDR_CLKs
7:0	TXSNR	RW	0x3C	Indicates XSNR parameter of the memory in the number of DDR_CLKs

**8.1.27 Self Refresh Timer (SF\_TIMER)**

Address: 0x18000114

Access: Read/Write

Reset: 0x0

This register specifies the DDR refresh periods for self refresh mode.

Bit	Bit Name	Type	Reset	Description
31:16	RF_OUT_DPR_COUNT	RO	0x0	Indicates the number of DDR_REFRESH_PERIODs for which HW remained out of the self refresh mode
15:0	IN_RF_DPR_COUNT	RO	0x0	Indicates the number of DDR_REFRESH_PERIODs for which HW remained in self refresh mode

**8.1.28 WMAC Flush (WMAC\_FLUSH)**

Address: 0x18000128

Access: Read/Write

Reset: 0x0

This register specifies the settings for the WMAC Flush.

Bit	Bit Name	Type	Reset	Description
31:10	RES	RO	0x0	Reserved. Must be written with zero. Contains zeros when read.
9	DONE	RW	0x0	Set to 1 by HW after the flush is completed and the adapter is ready. SW clears it back to 0.
8:1	DDR_CLK_CNTR	RW	0x28	Number of DDR clocks to count down after the last grant, ensuring all I/O reads are completed. The worst case value is for the SDRAM
0	FORCE	RW	0x0	Set to 1 by SW to start AXI flush. HW clears it back to 0

## 8.2 UART0 (Low-Speed) Registers

Table 8-3 summarizes the UART0 registers for the AR9344.

Table 8-3. UART0 (Low-Speed) Registers Summary

Address	Name	Description	Page
0x18020000	RBR	Receive Buffer	page 125
0x18020000	THR	Transmit Holding	page 125
0x18020000	DLL	Divisor Latch Low	page 126
0x18020004	DLH	Divisor Latch High	page 126
0x18020004	IER	Interrupt Enable	page 126
0x18020008	IIR	Interrupt Identity	page 127
0x18020008	FCR	FIFO Control	page 127
0x1802000C	LCR	Line Control	page 128
0x18020010	MCR	Modem Control	page 128
0x18020014	LSR	Line Status	page 129
0x18020018	MSR	Modem Status	page 129

### 8.2.1 Receive Buffer (RBR)

Address: 0x18020000

Access: Read-Only

Reset: 0x0

This read-only register contains the data byte received on the serial input port (SIN). The data in this register is only valid if the Data Ready (DR) bit in the Line Status Register (LSR) is set. In the non-FIFO mode (FIFO\_MODE = 0), the data in the RBR must be read before the next data arrives, otherwise it

will be overwritten, resulting in an overrun error. In FIFO mode (FIFO\_MODE = 1), this register accesses the head of the receive FIFO. If the receive FIFO is full and this register is not read before the next data character arrives, then the data already residing in the FIFO is full and this register will be preserved but any incoming data will be lost. An overrun error will also occur.

Bit	Bit Name	Description
31:8	RES	Reserved. Must be written with zero. Contains zeros when read.
7:0	RBR	The receive buffer register value

### 8.2.2 Transmit Holding (THR)

Address: 0x18020000

Access: Write-Only

Reset: 0x0

This write-only register contains data to be transmitted on the serial port (SOUT). Data can be written to the THR any time the THR Empty (THRE) bit of the Line Status Register is set. If FIFOs are not enabled and the THRE is set,

writing a single character to the THR clears the THRE. Any additional writes to the THR before the THRE is set again causes the THR data to be overwritten. If FIFOs are enabled and the THRE is set, up to sixteen characters of data may be written to the THR before the FIFO is full. Attempting to write data when the FIFO is full results in the write data being lost.

Bit	Bit Name	Description
31:8	RES	Reserved. Must be written with zero. Contains zeros when read.
7:0	THR	The transmit buffer value

### 8.2.3 Divisor Latch Low (DLL)

Address: 0x18020000

Access: Read/Write

Reset: 0x0

This register, in conjunction with the “[Divisor Latch High \(DLH\)](#)” register forms a 16-bit, read/write, Divisor Latch register that contains the baud rate divisor for the UART0. It is

accessed by first setting the DLAB bit (bit [7]) in the “[Line Control \(LCR\)](#)” register. The output baud rate is equal to the input clock frequency divided by sixteen times (\*16) the value of the baud rate divisor:

$$\text{baud} = (\text{clock freq}) / (16 * \text{divisor})$$

Bit	Bit Name	Type	Reset	Description
31:8	RES	RO	0x0	Reserved. Must be written with zero. Contains zeros when read.
7:0	DLL	RW	0x0	Divisor latch low

### 8.2.4 Divisor Latch High (DLH)

Address: 0x18020004

Access: Read/Write

Reset: 0x0

This register, in conjunction with the “[Divisor Latch Low \(DLL\)](#)” register forms a 16-bit, read/write, Divisor Latch register that contains the baud rate divisor for the UART0. It is

accessed by first setting the DLAB bit (bit [7]) in the “[Line Control \(LCR\)](#)” register. The output baud rate is equal to the input clock frequency divided by sixteen times (\*16) the value of the baud rate divisor:

$$\text{baud} = (\text{clock freq}) / (16 * \text{divisor})$$

Bit	Bit Name	Description
31:8	RES	Reserved. Must be written with zero. Contains zeros when read.
7:0	DLH	Divisor latch high

### 8.2.5 Interrupt Enable (IER)

Address: 0x18020004

Access: Read/Write

Reset: 0x0

This register contains four bits that enable the generation of interrupts.

Bit	Bit Name	Description
31:4	RES	Reserved. Must be written with zero. Contains zeros when read.
3	EDDSI	Enable modem status interrupt
2	ELSI	Enable receiver line status interrupt
1	ETBEI	Enable register empty interrupt
0	ERBFI	Enable received data available interrupt

### 8.2.6 Interrupt Identity (IIR)

Address: 0x18020008

Access: Read-Only

Reset: 0x0

This register identifies the source of an interrupt. The two upper bits of the register are FIFO-enabled bits.

Bit	Bit Name	Description	
31:8	RES	Reserved	
7:6	FIFO_STATUS	FIFO enable status bits	
		00	FIFO disabled
		11	FIFO enabled
5:4	RES	Reserved. Must be written with zero. Contains zeros when read.	
3:0	IID	Used to identify the source of the interrupt	
		0000	Modem status changed
		0001	No interrupt pending
		0010	THR empty
		0100	Received data available
		0110	Receiver status
		1100	Character time out

### 8.2.7 FIFO Control (FCR)

Address: 0x18020008

Access: Write-Only

Reset: 0x0

This register sets the parameters for FIFO control. This register will also return current time values.

If FIFO mode is 0, this register has no effect. If FIFO mode is 1, this register will control the read and write data FIFO operation and the mode of operation for the DMA signals TXRDY\_N and RXRDY\_N.

If FIFO mode is enabled (FIFO mode = 1 and bit [0] is set to 1), bit [3], bit [6], and bit [7] are active.

Bit	Bit Name	Description	
31:8	RES	Reserved	
7:6	RCVR_TRIG	Sets the trigger level in the receiver FIFO for both the RXRDY_N signal and the Enable received data available interrupt (ERBFI)	
		00	1 byte in FIFO
		01	4 bytes in FIFO
		10	8 bytes in FIFO
		11	14 bytes in FIFO
5:4	RES	Reserved	
3	DMA_MODE	This bit determines the DMA signalling mode for TXRDY_N and RXRDY_N output signals	
2	XMIT_FIFO_RST	Writing this bit resets and flushes data in the transmit FIFO	
1	RCVR_FIFO_RST	Writing this bit resets and flushes data in the receive FIFO	
0	FIFO_EN	Setting this bit enables the transmit and receive FIFOs. The FIFOs are also reset any time this bit changes its value.	

### 8.2.8 Line Control (LCR)

Address: 0x1802000C

Access: Read/Write

Reset: 0x0

This register controls the format of the data that is transmitted and received by the UART0 controller.

Bit	Bit Name	Description								
31:8	RES	Reserved								
7	DLAB	The divisor latch address bit. Setting this bit enables reading and writing of the “Divisor Latch Low (DLL)” and “Divisor Latch High (DLH)” registers to set the baud rate of the UART0. This bit must be cleared after the initial baud rate setup in order to access the other registers.								
6	BREAK	Setting this bit sends a break signal by holding the SOUT line low (when not in loopback mode, as determined by “Modem Control (MCR)” register bit [4]), until the BREAK bit is cleared. When in loopback mode, the break condition is internally looped back to the receiver.								
5	RES	Reserved								
4	EPS	Used to set the even/odd parity. If parity is enabled, this bit selects between even and odd parity. If this bit is a logic 1, an even number of logic 1s are transmitted or checked. If this bit is a logic 0, an odd number of logic 1s are transmitted or checked.								
3	PEN	Used to enable parity when set								
2	STOP	Used to control the number of stop bits transmitted. If this bit is a logic 0, one-stop bit is transmitted in the serial data. If this bit is a logic 1 and the data bits are set to 5, one and a half stop bits are generated. Otherwise, two stop bits are generated and transmitted in the serial data out.								
1:0	CLS	Used to control the number of bits per character <table border="1" data-bbox="483 1024 1383 1180"> <tbody> <tr> <td>00</td> <td>5 bits</td> </tr> <tr> <td>01</td> <td>6 bits</td> </tr> <tr> <td>10</td> <td>7 bits</td> </tr> <tr> <td>11</td> <td>8 bits</td> </tr> </tbody> </table>	00	5 bits	01	6 bits	10	7 bits	11	8 bits
00	5 bits									
01	6 bits									
10	7 bits									
11	8 bits									

### 8.2.9 Modem Control (MCR)

Address: 0x18020010

Access: Read/Write

Reset: See field description

This register controls the interface with the modem.

Bit	Bit Name	Reset	Description
31:6	RES	0x0	Reserved
5	LOOPBACK	0x1	When set, the data on the SOUT line is held HIGH, while the serial data output is looped back to the SIN line, internally. In this mode, all the interrupts are fully functional. This feature is also used for diagnostic purposes. The modem control inputs (DSR_L, CTS_L, RI_L, DCD_L) are disconnected and the four modem control outputs (DTR_L, RTS_L, OUT1_L, OUT1_L) are looped back to the inputs, internally.
4	RES	0x0	Reserved
3	OUT2	0x1	Used to drive the UART0 output UART0_OUT2_L
2	OUT1	0x1	Used to drive the UART0 output UART0_OUT1_L
1	RTS	0x1	Used to drive the UART0 output RTS_L
0	DTR	0x1	Used to drive the UART0 output DTR_L. Not supported.



### 8.2.10 Line Status (LSR)

Address: 0x18020014

Access: Read/Write

Reset: 0x0

This register contains the status of the receiver and transmitter data transfers. This status may be read by the user at any time.

Bit	Bit Name	Description
31:8	RES	Reserved
7	FERR	The error in receiver FIFO bit. This bit is only active when the FIFOs are enabled. This bit is set when there is at least one parity error, framing error or break in the FIFO. This bit is cleared when the LSR is read AND the character with the error is at the top of the receiver FIFO AND there are no subsequent errors in the FIFO.
6	TEMT	The transmitter empty bit. This bit is set in FIFO mode whenever the Transmitter Shift Register and the FIFO are both empty. In non-FIFO mode, this bit is set whenever the Transmitter Holding Register and the Transmitter Shift Register are both empty.
5	THRE	The transmitter holding register empty bit. When set, indicates the UART0 controller can accept a new character for transmission. This bit is set whenever data is transferred from the THR to the transmit shift register and no new data has been written to the THR. This also causes a THRE Interrupt to occur, if enabled.
4	BI	The break interrupt bit. This bit is set whenever the serial input (SIN) is held in a logic zero state for longer than the sum of (start time + data bits + parity + stop bits). A break condition on SIN causes one, and only one character, consisting of all zeros which will be received by the UART0. In FIFO mode, the character associated with the break condition is carried through FIFO and revealed when the character reaches the top of FIFO. Reading the LSR clears the BI bit. In non-FIFO mode, the BI direction occurs immediately and continues until the LSR has been read.
3	FE	The framing error bit. This bit is set whenever there is a framing error in the receiver. A framing error occurs when the receiver does not detect a valid STOP bit in the received data. In FIFO mode, the framing error associated with the character received will come to the top of FIFO so it can be noticed. The OE, PE and FE bits are reset when a read of the LSR is performed.
2	PE	The parity error bit. This bit is set whenever there is a parity bit error in the receiver if the Parity Enable (PEN) bit in the LCR is set. In FIFO mode, the parity error associated with the character received will come to the top of FIFO so it can be noticed.
1	OE	The overrun error bit. When set, indicates an overrun error occurred because a new data character was received before the previous data was read. In non-FIFO mode, it is set when a new character arrives in the receiver before the previous character has been read from the RBR. In FIFO mode, an overrun error occurs when the FIFO is full and a new character arrives in the receiver. The data in FIFO is retained and the data in the receive shift register is lost.
0	DR	The data ready bit. When set, indicates that the receiver contains at least one character in the RBR or the receiver FIFO. This bit is cleared when the RBR is read in the non-FIFO mode, or when the receiver FIFO is empty when in FIFO mode.

### 8.2.11 Modem Status (MSR)

Address: 0x18020018

Access: Read/Write

Reset: 0x0

This register contains the current status of the modem control input lines and notes whether they have changed.

Bit	Bit Name	Description
31:8	RES	Reserved
7	DCD	Contains information on the current state of the modem control lines; complement of DCD_L
6	RI	Contains information on the current state of the modem control lines; complement of RI_L
5	DSR	Contains information on the current state of the modem control lines; complement of DSR_L
4	CTS	Contains information on the current state of the modem control lines; complement of CTS_L
3	DDCD	Notes whether modem control line DCD_L changed since the last time the CPU read the MSR
2	TERI	Indicates whether RI_L changed from an active low to inactive high since the last time MSR was read
1	DDSR	Notes whether DSR_L has changed since the last time the CPU read the MSR
0	DCTS	Notes whether CTS_L has changed since the last time the CPU read the MSR

### 8.3 GPIO Registers

Table 8-4 summarizes the GPIO registers for the AR9344.

**Table 8-4. General Purpose I/O (GPIO) Registers Summary**

Address	Name	Description	Page
0x18040000	GPIO_OE	GPIO Output Enable	page 131
0x18040004	GPIO_IN	GPIO Input Value	page 131
0x18040008	GPIO_OUT	GPIO Output Value	page 131
0x1804000C	GPIO_SET	GPIO Per Bit Set	page 131
0x18040010	GPIO_CLEAR	GPIO Per Bit Clear	page 132
0x18040014	GPIO_INT	GPIO Interrupt Enable	page 132
0x18040018	GPIO_INT_TYPE	GPIO Interrupt Type	page 132
0x1804001C	GPIO_INT_POLARITY	GPIO Interrupt Polarity	page 132
0x18040020	GPIO_INT_PENDING	GPIO Interrupt Pending	page 133
0x18040024	GPIO_INT_MASK	GPIO Interrupt Mask	page 133
0x18040028	GPIO_IN_ETH_SWITCH_LED	GPIO Ethernet LED Routing Select	page 133
0x1804002C	GPIO_OUT_FUNCTION0	GPIO pins 0, 1, 2, 3 Output Multiplexing	page 134
0x18040030	GPIO_OUT_FUNCTION1	GPIO pins 4, 5, 6, 7 Output Multiplexing	page 134
0x18040034	GPIO_OUT_FUNCTION2	GPIO pins 8, 9, 10, 11 Output Multiplexing	page 135
0x18040038	GPIO_OUT_FUNCTION3	GPIO pins 12, 13, 14, 15 Output Multiplexing	page 135
0x1804003C	GPIO_OUT_FUNCTION4	GPIO pins 16, 17, 18, 19 Output Multiplexing	page 135
0x18040044	GPIO_IN_ENABLE0	UART0_SIN and SPI_DATA_IN Multiplexing	page 136
0x18040048	GPIO_IN_ENABLE1	I <sup>2</sup> S Interface Multiplexing	page 136
0x1804004C	GPIO_IN_ENABLE2	ETH_RX related Multiplexing	page 136
0x18040050	GPIO_IN_ENABLE3	External MDIO Multiplexing	page 136
0x18040054	GPIO_IN_ENABLE4	SLIC Interface Multiplexing	page 137
0x18040068	GPIO_IN_ENABLE9	UART1 Multiplexing	page 137
0x1804006C	GPIO_FUNCTION	Controls JTAG, External MDIO in GPIO	page 137

### 8.3.1 GPIO Output Enable (GPIO\_OE)

Address: 0x18040000

Access: Read/Write

Reset: 0x2F30B

Bit	Bit Name	Description	
31:23	RES	Reserved	
22:0	OE	Per bit output enable, where bit [22] sets GPIO22, bit [21] sets GPIO21, bit [20] sets GPIO20, and so on.	
		0	The bit is used as output
		1	Enables the bit as input

### 8.3.2 GPIO Input Value (GPIO\_IN)

Address: 0x18040004

Access: Read-Only

Reset: 0x0

Bit	Bit Name	Description
31:23	RES	Reserved
22:0	IN	Current values of each of the GPIO pins, where bit[22] sets GPIO22, bit [21] sets GPIO21, bit [20] sets GPIO20, and so on.

### 8.3.3 GPIO Output Value (GPIO\_OUT)

Address: 0x18040008

Access: Read-Only

Reset: 0x0

Bit	Bit Name	Description
31:23	RES	Reserved
22:0	OUT	Driver output value. If the corresponding bit in the GPIO_OE register is set to 0, the GPIO pin will drive the value in the corresponding bit of this register.

### 8.3.4 GPIO Per Bit Set (GPIO\_SET)

Address: 0x1804000C

Access: Write-Only

Reset: 0x0

Bit	Bit Name	Description
31:23	RES	Reserved
22:0	SET	On a write, any bit that is set causes the corresponding GPIO bit to be set; any bit that is not set will have no effect.

### 8.3.5 GPIO Per Bit Clear (GPIO\_CLEAR)

Address: 0x18040010

Access: Write-Only

Reset: 0x0

Bit	Bit Name	Description
31:23	RES	Reserved
22:0	CLEAR	On a write, any bit that is set causes the corresponding GPIO bit to be cleared; any bit that is not set will have no effect.

### 8.3.6 GPIO Interrupt Enable (GPIO\_INT)

Address: 0x18040014

Access: Read/Write

Reset: 0x0

Bit	Bit Name	Description
31:23	RES	Reserved
22:0	INT	Each bit that is set is considered an interrupt ORd into the GPIO interrupt line.

### 8.3.7 GPIO Interrupt Type (GPIO\_INT\_TYPE)

Address: 0x18040018

Access: Read/Write

Reset: 0x0

Bit	Bit Name	Description	
31:23	RES	Reserved	
22:0	TYPE	Interrupt type	
		0	Indicates the bit is a edge-sensitive interrupt
		1	Indicates the bit is an level-sensitive interrupt

### 8.3.8 GPIO Interrupt Polarity (GPIO\_INT\_POLARITY)

Address: 0x1804001C

Access: Read/Write

Reset: 0x0

Bit	Bit Name	Description	
31:23	RES	Reserved	
22:0	POLARITY	Interrupt polarity	
		0	Indicates that the interrupt is active low (level) or falling edge (edge)
		1	Indicates that the interrupt is active high (level) or rising edge (edge)

### 8.3.9 GPIO Interrupt Pending (GPIO\_INT\_PENDING)

Address: 0x18040020

Access: Read/Write (See field description)

Reset: 0x0

Bit	Bit Name	Description
31:23	RES	Reserved
22:0	PENDING	For each bit, indicates that an interrupt is currently pending for the particular GPIO; for edge-sensitive interrupts, this register is read-with-clear.

### 8.3.10 GPIO Interrupt Mask (GPIO\_INT\_MASK)

Address: 0x18040024

Access: Read/Write

Reset: 0x0

Bit	Bit Name	Description
31:23	RES	Reserved
22:0	MASK	For each bit that is set, the corresponding interrupt in the register “ <a href="#">GPIO Interrupt Pending (GPIO_INT_PENDING)</a> ” is passed on to the central interrupt controller.

### 8.3.11 GPIO Ethernet LED Routing Select (GPIO\_IN\_ETH\_SWITCH\_LED)

Address: 0x18040028

Access: Read-Only

Reset: 0x0

Selects routing of the signal indication groups to the LED signals: activity, collision, link, or duplex.

Bit	Bit Name	Description
31:20	RES	Reserved
19:15	LINK	The current value of LED_LINK100n_O and LED_LINK10n_O
14:10	DUPL	The current value of LED_DUPLEXn_O
9:5	COLL	The current value of LED_COLNn_O
4:0	ACTV	The current value of LED_ACTn_O

**NOTE:** The GPIO\_OUT\_FUNCTION[5:0] registers, along with the “GPIO Output Enable (GPIO\_OE)” register, determine which internal signal is driven to the GPIO pins. Each 32-bit GPIO\_OUT\_FUNCTIONx register has select values for four GPIO pins (8 bits each). Each signal to output through the GPIO pin has a select value programmed in the particular GPIO field through which it is output (see Table 2-11, “Default GPIO Signals,” on page 52).

These defaults are the default signal settings on the GPIO pin. On reset, GPIO[17:0] are configured with these default settings.

Apart from JTAG, all signals can use any GPIO and can use GPIO[3:0] by setting the DISABLE\_JTAG bit to 1 in the “GPIO Function (GPIO\_FUNCTION)” register. A value of zero in these fields selects the signal from the “GPIO Output Value (GPIO\_OUT)” register.

### 8.3.12 GPIO Function 0 (GPIO\_OUT\_FUNCTION0)

Address: 0x1804002C

Access: Read/Write

Reset: 0x0

MUX values for GPIO[3:0].

Note that JTAG pins are available only in GPIO[3:0].

Bit	Bit Name	GPIO	Default Function	Description
31:24	ENABLE_GPIO_3	GPIO3	TMS	Selected programmed value is available in GPIO3
23:16	ENABLE_GPIO_2	GPIO2	TDO	Selected programmed value is available in GPIO2
15:8	ENABLE_GPIO_1	GPIO1	TDI	Selected programmed value is available in GPIO1
7:0	ENABLE_GPIO_0	GPIO0	TCK	Selected programmed value is available in GPIO0

### 8.3.13 GPIO Function 1 (GPIO\_OUT\_FUNCTION1)

Address: 0x18040030

Access: Read/Write

Reset: 0x0

MUX values for GPIO[7:4].

Bit	Bit Name	GPIO	Default Function	Description
31:24	ENABLE_GPIO_7	GPIO7	SPI_MOSI	Selected programmed value is available in GPIO7
23:16	ENABLE_GPIO_6	GPIO6	SPI_CLK	Selected programmed value is available in GPIO6
15:8	ENABLE_GPIO_5	GPIO5	SPI_CS0	Selected programmed value is available in GPIO5
7:0	ENABLE_GPIO_4	GPIO4	CLK_OBS4 <sup>[1]</sup>	Selected programmed value is available in GPIO4

[1]See Table 8.3.23, “GPIO Function (GPIO\_FUNCTION),” on page 137 for clock signals that can be observed through GPIO pins.

**8.3.14 GPIO Function 2 (GPIO\_OUT\_FUNCTION2)**

Address: 0x18040034

MUX values for GPIO[11:8].

Access: Read/Write

Reset: 0x0

Bit	Bit Name	GPIO	Default Function	Description
31:24	ENABLE_GPIO_11	GPIO11	Reserved	Selected programmed value is available in GPIO11
23:16	ENABLE_GPIO_10	GPIO10	UART0_SOUT	Selected programmed value is available in GPIO10
15:8	ENABLE_GPIO_9	GPIO9	UART0_SIN	Selected programmed value is available in GPIO9
7:0	ENABLE_GPIO_8	GPIO8	SPI_MISO	Selected programmed value is available in GPIO8

**8.3.15 GPIO Function 3 (GPIO\_OUT\_FUNCTION3)**

Address: 0x18040038

MUX values for GPIO[15:12].

Access: Read/Write

Reset: 0x0

Bit	Bit Name	GPIO	Default Function	Description
31:24	ENABLE_GPIO_15	GPIO15	Reserved	Selected programmed value is available in GPIO15
23:16	ENABLE_GPIO_14	GPIO14	Reserved	Selected programmed value is available in GPIO14
15:8	ENABLE_GPIO_13	GPIO13	Reserved	Selected programmed value is available in GPIO13
7:0	ENABLE_GPIO_12	GPIO12	Reserved	Selected programmed value is available in GPIO12

**8.3.16 GPIO Function 4 (GPIO\_OUT\_FUNCTION4)**

Address: 0x1804003C

MUX values for GPIO[19:16].

Access: Read/Write

Reset: 0x0

Bit	Bit Name	GPIO	Default Function	Description
31:24	ENABLE_GPIO_19	GPIO19	—	Selected programmed value is available in GPIO19
23:16	ENABLE_GPIO_18	GPIO18	—	Selected programmed value is available in GPIO18
15:8	ENABLE_GPIO_17	GPIO17	Reserved	Selected programmed value is available in GPIO17
7:0	ENABLE_GPIO_16	GPIO16	Reserved	Selected programmed value is available in GPIO16

**NOTE:** The GPIO\_IN\_ENABLE[9:0] registers, along with the “GPIO Output Enable (GPIO\_OE)” register, drive internal logic. The registers indicate through which GPIO pins the particular input signal is available. Program the GPIO pin number through which these signals are input.

See Table 2-13, “GPIO Input Select Values,” on page 55.

**NOTE:** Apart from JTAG, all signals listed in Table 2-13 can use any GPIO. GPIO[3:0] can be used by setting the DISABLE\_JTAG bit to 1 in the “GPIO Function (GPIO\_FUNCTION)” register.

### 8.3.17 GPIO In Signals 0 (GPIO\_IN\_ENABLE0)

Address: 0x18040044

Access: Read/Write

Reset: See field description

Program the GPIO pin number through which these signals are input. Legal values for this register are 0–17 for GPIO0 to GPIO17.

Bit	Bit Name	Reset	Default GPIO	Description
31:16	RES	0x0	—	Reserved
15:8	UART0_SIN	0x9	GPIO9	Programmed value indicates the GPIO that inputs UART0_SIN
7:0	SPI_DATA_IN	0x8	GPIO8	Programmed value indicates the GPIO pin that inputs SPI_MISO

### 8.3.18 GPIO In Signals 1 (GPIO\_IN\_ENABLE1)

Address: 0x18040048

Access: Read/Write

Reset: 0x0

Program the GPIO pin number through which these signals are input.

Bit	Bit Name	Signal	Description
31:24	I2SEXT_MCLK	I2S_MCLK	Programmed value indicates the GPIO pin that inputs I2S_MCLK
23:16	I2SEXTCLK	I2S_CLK	Programmed value indicates the GPIO pin that inputs I2S_CLK
15:8	I2S0_MIC_SD	I2S_SD	Programmed value indicates the GPIO pin that inputs I2S_MIC_SD
7:0	I2S0_WS	I2S_WS	Programmed value indicates the GPIO pin that inputs I2S_WS

### 8.3.19 GPIO In Signals 2 (GPIO\_IN\_ENABLE2)

Address: 0x1804004C

Access: Read/Write

Reset: 0x0

Program the GPIO pin number through which these signals are input.

Bit	Bit Name	Signal	Description
31:24	RES	—	Reserved
23:16	ETH_RX_CRCS	ETH_RX_CRCS	Programmed value indicates the GPIO pin that inputs ETH_RX_CRCS
15:8	ETH_RX_COL	ETH_RX_COL	Programmed value indicates the GPIO pin that inputs ETH_RX_COL
7:0	ETH_RX_ERR	ETH_RX_ERR	Programmed value indicates the GPIO pin that inputs ETH_RX_ERR

### 8.3.20 GPIO In Signals 3 (GPIO\_IN\_ENABLE3)

Address: 0x18040050

Access: Read/Write

Reset: 0x0

Program the GPIO pin number through which these signals are input.

Bit	Bit Name	Signal	Description
31:24	BOOT_EXT_MDC	BOOT_EXT_MDC	Programmed value indicates the GPIO pin through which the boot MDIO MDC signal is input (MDIO slave for boot up)
23:16	BOOT_EXT_MDO	BOOT_EXT_MDO	Programmed value indicates the GPIO pin through which the boot MDIO MDO signal is input (MDIO slave for boot up)
15:0	RES	—	Reserved



### 8.3.21 GPIO In Signals 4 (GPIO\_IN\_ENABLE4)

Address: 0x18040054

Access: Read/Write

Reset: 0x0

Program the GPIO pin number through which these signals are input.

Bit	Bit Name	Signal	Description
31:16	RES	—	Reserved
15:8	SLIC_PCM_FS_IN	SLIC_PCM_FS	Programmed value indicates the GPIO pin through which SLIC_PCM_FS is input. Note that the frame sync signal can be used as input or output
7:0	SLIC_DATA_IN	SLIC_DATA_IN	Programmed value indicates the GPIO pin through which SLIC_DATA_IN is input

### 8.3.22 GPIO In Signals 9 (GPIO\_IN\_ENABLE9)

Address: 0x18040068

Access: Read/Write

Reset: 0x0

Program the GPIO pin number through which these signals are input. UART1 is the high-speed UART.

Bit	Bit Name	Signal	Description
31:24	UART1_CTS	UART1_CTS	Programmed value indicates the GPIO pin that inputs UART1_CTS
23:16	UART1_RD	UART1_RD	Programmed value indicates the GPIO pin that inputs UART1_RD
15:8	RES	RES	Reserved
7:0	RES	RES	Reserved

### 8.3.23 GPIO Function (GPIO\_FUNCTION)

Address: 0x1804006C

Access: Read/Write

Reset: See field description

Bit	Bit Name	Reset	Description
31:10	RES	0x0	Reserved
9	CLK_OBS7_ENABLE	0x0	Enables observation of audio PLL_CLK
8	CLK_OBS6_ENABLE	0x0	Enables observation of USB_CLK
7	CLK_OBS5_ENABLE	0x0	Enables observation of AHB_CLK/4
6	CLK_OBS4_ENABLE	0x1	Enables observation of AHB_CLK/2
5	CLK_OBS3_ENABLE	0x0	Enables observation of GMAC1_TX_CLK
4	CLK_OBS2_ENABLE	0x0	Enables observation of PCIE_EP_CLK
3	CLK_OBS1_ENABLE	0x0	Enables observation of PCIE_RC_CLK
2	CLK_OBS0_ENABLE	0x0	Enables observation of 25 MHz GMAC0 MII clock
1	DISABLE_JTAG	0x0	Disable JTAG port functionality to enable GPIO functionality
0	RES	0x0	Reserved

#### 8.4 PLL Control Registers

Table 8-5 summarizes the AR9344 PLL control registers.

Table 8-5. PLL Control Registers Summary

Address	Name	Description	Page
0x18050000	CPU_PLL_CONFIG	CPU PLL Configuration	<a href="#">page 139</a>
0x18050004	DDR_PLL_CONFIG	DDR PLL Configuration	<a href="#">page 139</a>
0x18050008	CPU_DDR_CLOCK_CONTROL	CPU DDR Clock Control	<a href="#">page 140</a>
0x18050010	PCIE_PLL_CONFIG	PCIE RC PLL Configuration	<a href="#">page 141</a>
0x18050014	PCIE_PLL_DITHER_DIV_MAX	PCIE Clock Jitter Max Value Control	<a href="#">page 141</a>
0x18050018	PCIE_PLL_DITHER_DIV_MIN	PCIE Clock Jitter Min Value Control	<a href="#">page 141</a>
0x1805001C	PCIE_PLL_DITHER_STEP	PCIE Clock Jitter Step Control	<a href="#">page 142</a>
0x18050024	SWITCH_CLOCK_CONTROL	Switch Clock Source Control	<a href="#">page 142</a>
0x18050028	CURRENT_PCIE_PLL_DITHER	Current Dither Logic Output	<a href="#">page 142</a>
0x1805002C	ETH_XMII_CONTROL	Ethernet XMII Control	<a href="#">page 143</a>
0x18050030	AUDIO_PLL_CONFIG	Audio PLL Configuration	<a href="#">page 143</a>
0x18050034	AUDIO_PLL_MODULATION	Audio PLL Modulation Control	<a href="#">page 144</a>
0x18050038	AUDIO_PLL_MOD_STEP	Audio PLL Jitter Control	<a href="#">page 144</a>
0x1805003C	CURRENT_AUDIO_PLL_MODULATION	Current Audio Modulation Output	<a href="#">page 144</a>
0x18050044	DDR_PLL_DITHER	DDR PLL Dither Parameter	<a href="#">page 145</a>
0x18050048	CPU_DLL_DITHER	CPU PLL Dither Parameter register	<a href="#">page 145</a>

### 8.4.1 CPU Phase Lock Loop Configuration (CPU\_PLL\_CONFIG)

Address: 0x18050000

This register configures the CPU PLL.

Access: Read/Write

Reset: See field description

Bit	Bit Name	Type	Reset	Description	
31	UPDATING	RO	0x1	This bit is set during the PLL update process. After the software configures CPU PLL, it takes about 32 $\mu$ sec for the update to be finished. Software may poll this bit to see if the update has completed.	
				0	PLL update is complete
				1	PLL update is pending
30	PLLPWD	RW	0x1	Power down control for CPU PLL, write zero to this bit to power up the PLL	
29:22	RES	RW	0x0	Reserved	
21:19	OUTDIV	RW	0x0	Define the ratio between VCO output and PLL output. $VCOOUT * (1/2^{(OUTDIV)}) = PLLOUT$ , $(REF\_CLK/REF\_DIV) * (Nint\_Nfrac) = VCOOUT$	
18:17	RANGE	RW	0x3	Determines the VCO frequency range of the CPU PLL:	
				0/2	Reflects a frequency range of 530–830 MHz/ $2^{(OUTDIV)}$
				1/3	Reflects a frequency range of 350–750 MHz/ $2^{(OUTDIV)}$
16:12	REFDIV	RW	0x20	Reference clock divider	
11:6	NINT	RW	0x0	The integer part of the DIV to CPU PLL	
5:0	NFRAC	RO	0x0	Reflects the current NFRAC. Use “ <a href="#">CPU PLL Dither Parameter (CPU_PLL_DITHER)</a> ” on <a href="#">page 145</a> to set.	

### 8.4.2 DDR PLL Configuration (DDR\_PLL\_CONFIG)

Address: 0x18050004

This register is used to configure the DDR PLL.

Access: Read / Write

&lt;PLL frequency&gt; =

Reset: See field description

&lt;F\_REFCLK frequency / REFDIV \*

 $(NINT + NFRAC * 2^8 / 2^{18-1} / 2^{OUTDIV})$ .

Bit	Bit Name	Type	Reset	Description	
31	UPDATING	RO	0x1	This bit is set during the PLL update process. After the software configures CPU PLL, it takes about 32 $\mu$ sec for the update to be finished. Software may poll this bit to see if the update has completed.	
30	PLLPWD	RW	0x1	Power up control for the PLL, write zero to this bit to power up the PLL.	
29:26	RES	RW	0x0	Reserved	
25:23	OUTDIV	RW	0x0	Define the ratio between VCO output and PLL output. $VCOOUT * (1/2^{(OUTDIV)}) = PLLOUT$	
22:21	RANGE	RW	0x3	Determines the VCO frequency range of the DDR PLL:	
				0/2	Reflects a frequency range of 530–830 MHz/ $2^{(OUTDIV)}$
				1/3	Reflects a frequency range of 350–750 MHz/ $2^{(OUTDIV)}$
20:16	REFDIV	RW	0x2	Reference clock divider	
15:10	NINT	RW	0x0	The integer part of the DIV to DDR PLL	
9:0	NFRAC	RO	0x0	Reflects the current NFRAC. Use “ <a href="#">DRR PLL Dither Parameter (DRR_PLL_DITHER)</a> ” on <a href="#">page 145</a> to set.	

### 8.4.3 CPU DDR Clock Control (CPU\_DDR\_CLOCK\_CONTROL)

Address: 0x18050008

Access: Read / Write

Reset: See field description

This register is used to set the CPU and DDR clocks. Any field in this register can be dynamically modified.

Bit	Bit Name	Type	Reset	Description	
31:25	RES	RW	0x0	Reserved	
24	AHBCLK_FROM_DDRPLL	RW	0x1	AHB_CLK setting	
				0	AHB_CLK is derived from the CPU_PLL
				1	AHB_CLK is derived from the DDR_PLL
23	CPU_RESET_EN_BP_DEASRT	RW	0x0	Enables reset to the CPU when the CPU_PLL bypass bit is reset	
22	CPU_RESET_EN_BP_ASRT	RW	0x0	Enables reset to the CPU when the CPU_PLL bypass bit is set	
21	DDRCLK_FROM_DDRPLL	RW	0x1	DDR_CLK setting. The DDR clock should be a 50% duty cycle clock	
				0	DDR_CLK is derived from the CPU_PLL
				1	DDR_CLK is derived from the DDR_PLL
20	CPUCLK_FROM_CPUPLL	RW	0x1	CPU_CLK setting. Division of the AHB clock is:	
				0	CPU_CLK is derived from the DDR_PLL
				1	CPU_CLK is derived from the CPU_PLL
19:15	AHB_POST_DIV	RW	0x0	Division of the AHB clock: ■ 0: Bypass ■ 1: Divide by 2 ■ 2: Divide by 3 And so on. Dividing by odd numbered values result in non-50% duty cycle clocks. $\langle \text{AHB frequency} \rangle = \langle \text{PLL or REFCLK frequency} \rangle / (\text{AHB\_POST\_DIV} + 1)$	
14:10	DDR_POST_DIV	RW	0x0	Division of the DDR PLL clock, as follows. ■ 0: Bypass ■ 1: Divide by 2 ■ 2: Divide by 3 And so on. Dividing by odd numbered values result in non-50% duty cycle clocks. $\langle \text{DDR frequency} \rangle = \langle \text{PLL frequency} \rangle / (\text{DDR\_POST\_DIV} + 1)$ or $\langle \text{REFCLK frequency} \rangle$	
9:5	CPU_POST_DIV	RW	0x0	Division of the CPU PLL clock, as follows. ■ 0: Bypass ■ 1: Divide by 2 ■ 2: Divide by 3 And so on. Dividing by odd numbered values result in non-50% duty cycle clocks. $\langle \text{CPU frequency} \rangle = \langle \text{PLL frequency} \rangle / (\text{CPU\_POST\_DIV} + 1)$ or $\langle \text{REFCLK frequency} \rangle$	
4	AHB_PLL_BYPASS	RW	0x1	Enables bypassing of the AHB PLL path	
3	DDR_PLL_BYPASS	RW	0x1	Enables bypassing of the DDR PLL	
2	CPU_PLL_BYPASS	RW	0x1	Enables bypassing of the CPU PLL	
1	RESET_SWITCH	RW	0x0	Reset during clock switch trigger	
0	RES	RO	0x0	Reserved. Must be written with zero. Contains zeros when read.	

#### 8.4.4 PCIE RC PLL Configuration (PCIE\_PLL\_CONFIG)

Address: 0x18050010  
 Access: Read / Write  
 Reset: See field description

Configure the PCIE RC PLL.

$$\begin{aligned} \langle \text{PLL frequency} \rangle = \\ \langle \text{REFCLK frequency} \rangle / \text{REFDIV} * \\ (\text{DIV\_INT} + \text{DIV\_FRAC} * 2^4 / (2^{18-1})) / 8 \end{aligned}$$

The frequency range is (530–830 MHz)/8. Use the PCIE\_PLL\_DITHER\_DIV\_MAX/MIN to set the DIV\_INT and DIV\_FRAC.

Bit	Bit Name	Type	Reset	Description
31	UPDATING	RO	0x0	This bit is set during the PLL update process. After the software configures CPU PLL, it takes about 32 $\mu$ sec for the update to be finished. Software may poll this bit to see if the update has completed.
30	PLLPWD	RW	0x1	Power up control for the PLL, write zero to this bit to power up the PLL
29:17	RES	RO	0x0	Reserved. Must be written with zero. Contains zeros when read.
16	BYPASS	RW	0x1	Enables bypassing of the PCIE PLL
15	RES	RO	0x0	Reserved. Must be written with zero. Contains zeros when read.
14:10	REFDIV	RW	0x1	Reference clock divider
9:0	RES	RO	0x0	Reserved. Must be written with zero. Contains zeros when read.

#### 8.4.5 PCIE Clock Jitter Max Value Control (PCIE\_PLL\_DITHER\_DIV\_MAX)

Address: 0x18050014  
 Access: Read / Write  
 Reset: See field description

This register is for the PCIE clock jitter control. The maximum value controls the jitter behavior of the PCIE PLL.

Bit	Bit Name	Type	Reset	Description
31	EN_DITHER	RW	0x1	Enables dither logic
30	USE_MAX	RW	0x1	When the Dither logic is disabled, this maximum value is used
29:21	RES	RO	0x0	Reserved. Must be written with zero. Contains zeros when read.
20:15	DIV_MAX_INT	RW	0x0	The maximum limit of the integer part of the divider
14:1	DIV_MAX_FRAC	RW	0x3FFF	The maximum limit of the fractional part of the divider
0	RES	RO	0x0	Reserved. Must be written with zero. Contains zeros when read.

#### 8.4.6 PCIE Clock Jitter Min Value Control (PCIE\_PLL\_DITHER\_DIV\_MIN)

Address: 0x18050018  
 Access: Read / Write  
 Reset: See field description

This register is for the PCIE clock jitter control. The minimum value controls the jitter behavior of the PCIE PLL.

Bit	Bit Name	Type	Reset	Description
31:21	RES	RO	0x0	Reserved. Must be written with zero. Contains zeros when read.
20:15	DIV_MIN_INT	RW	0x0	The minimum limit of the integer part of the divider
14:1	DIV_MIN_FRAC	RW	0x3FFF	The minimum limit of the fractional part of the divider
0	RES	RO	0x0	Reserved. Must be written with zero. Contains zeros when read.

#### 8.4.7 PCIE Clock Jitter Step Control (PCIE\_PLL\_DITHER\_STEP)

Address: 0x1805001C

This register controls the jitter behavior of the PCIE PLL.

Access: Read / Write

Reset: See field description

Bit	Bit Name	Type	Reset	Description
31:28	UPDATE_CNT	RW	0x0	Sets the frequency of updates. 0 = every clock.
27:25	RES	RO	0x0	Reserved. Must be written with zero. Contains zeros when read.
24:15	STEP_INT	RW	0x0	The integer part of the step value of the divider, which should be 0. The integer part cannot be changed during configuration.
14:1	STEP_FRAC	RW	0x0	Fractional Part of the step divider
0	RES	RO	0x0	Reserved. Must be written with zero. Contains zeros when read.

#### 8.4.8 Switch Clock Source Control (SWITCH\_CLOCK\_CONTROL)

Address: 0x18050024

This register controls the clock sources to the various blocks.

Access: Read / Write

Reset: See field description

Bit	Bit Name	Type	Reset	Description	
31:12	RES	RW	0x0	Reserved	
11:8	USB_REFCLK_FREQ_SEL	RW	0x5	Used to select the REFCLK input of 40- or 25-MHz to the USB PLL	
				2	25 MHz REFCLK
				5	40 MHz REFCLK
7	UART1_CLK_SEL	RW	0x0	Select the clock for UART1 operation	
				0	REFCLK
				1	100 MHz clock
6	MDIO_CLK_SEL	RW	0x0	Selects the clock for the MDIO master operational clock	
				0	REFCLK
				1	100 MHz clock
5	OEN_CLK125M_PLL	RW	0x1	Enable for the PLL CLK 125M from the Ethernet PHY. Active low.	
4	EN_PLL_TOP	RW	0x1	Enable the Ethernet PHY PLL	
3	EW_ENABLE	RW	0x0	Enable for the switch	
2	SWITCHCLK_OFF	RW	0x0	Shuts off the 25 MHz clock feed into the switch	
1	RES	RW	0x0	Reserved	
0	SWITCHCLK_SEL	RW	0x1	Used to select between the 40 MHz or 25 MHz REFCLK input to the Ethernet PHY	
				0	40 MHz REFCLK
				1	25 MHz REFCLK

#### 8.4.9 Current Dither Logic Output (CURRENT\_PCIE\_PLL\_DITHER)

Address: 0x18050028

This register sets the integer and fractional parts of the dither logic.

Access: Read / Write

Reset: See field description

Bit	Bit Name	Type	Reset	Description
31:21	RES	RO	0x0	Reserved. Must be written with zero. Contains zeros when read.
20:15	INT	RW	0x0	The integer part of the divider
14	RES	RO	0x0	Reserved. Must be written with zero. Contains zeros when read.
13:0	FRAC	RW	0x3FFF	The fractional part of the divider

#### 8.4.10 Ethernet XMII Control (ETH\_XMII\_CONTROL)

Address: 0x1805002C

Access: Read/Write

Reset: See field description

Controls the Tx and Rx clocks for the (MII/GMII/RGMII) master mode of the GMAC. This register should only be changed when GMAC0 is in reset.

Bit	Bit Name	Type	Reset	Description	
31	TX_INVERT	RW	0x0	Decides whether to select the inversion of the GTX clock after the delay line	
30	GIGE_QUAD	RW	0x0	Decides whether to allow a 2 ns shift (clock in the middle of a data transfer) to the GTX clock. This bit is only effective when bit 25 is set.	
29:28	RX_DELAY	RW	0x0	The delay buffers in the Rx clock path to adjust against the edge/middle-aligned RGMII inputs	
27:26	TX_DELAY	RW	0x0	Delay line for the GTX clock that goes along with the data	
				00	Minimum delay
				11	Maximum delay
25	GIGE	RW	0x0	Set only after a 1000 Mbps connection has been negotiated	
24	OFFSET_PHASE	RW	0x0	Used to select if the start is from the positive or negative phase (or whether to have a 180 degree change in addition to the phase-delay in [11:8]).	
23:16	OFFSET_CNT	RW	0x0	Beginning counter value to phase-delay the GTX clock	
15:8	PHASE1_CNT	RW	0x1	Number of 100 clock cycles in the negative cycle of the XMII Tx/Rx clock	
7:0	PHASE0_CNT	RW	0x1	Number of 100 clock cycles in the positive cycle of the XMII Tx/Rx clock	

#### 8.4.11 Audio PLL Configuration (AUDIO\_PLL\_CONFIG)

Address: 0x18050030

Access: Read / Write

Reset: See field description

This register configures the Audio Phase Lock Loop.

$$\begin{aligned} \langle \text{PLL frequency} \rangle &= \\ \langle \text{REFCLK frequency} \rangle / \text{REFDIV} * \\ (\text{DIV\_INT} = \text{DIV\_FRAC} / (2^{18-1})) / 2^{\text{POSTPLLDIV}} \\ \langle \text{MCLK Frequency} \rangle &= \\ \langle \text{PLL Frequency} \rangle / \text{EXT\_DIV} \\ F_{\text{mclk}} &= (F_{\text{REFCLK}} / \text{REFDIV}) * \\ &(\text{NINT.NFRAC}) / ((2^{\text{POSTPLLPWD}}) * (\text{EXT\_DIV})) \end{aligned}$$

Use the “Audio PLL Modulation Control (AUDIO\_PLL\_MODULATION)” on page 144 to set the DIV\_INT and DIV\_FRAC.

Bit	Bit Name	Type	Reset	Description
31:15	RES	RO	0x0	Reserved. Contains zeros when read.
14:12	EXT_DIV	RW	0x1	Digital divider to derive the MCLK from the PLL output. Use only even values for 50% of the duty cycle
11:10	RES	RO	0x0	Reserved. Contains zeros when read.
9:7	POSTPLLPWD	RW	0x1	Post power up control for the PLL
6	RES	RO	0x0	Reserved. Contains zeros when read.
5	PLLPWD	RW	0x1	Write 0 to this bit to power up the PLL
4	BYPASS	RW	0x1	Enables bypassing of the audio PLL
3:0	REFDIV	RW	0x1	Reference clock divider

**8.4.12 Audio PLL Modulation Control (AUDIO\_PLL\_MODULATION)**

Address: 0x18050034

Access: Read / Write

Reset: See field description

This register controls the jitter behavior of the audio PLL.

Bit	Bit Name	Type	Reset	Description
31:29	RES	RO	0x0	Reserved. Must be written with zero. Contains zeros when read.
28:11	TGT_DIV_FRAC	RW	0x0	Target value of the DIV fractional part for Audio PLL
10:7	RES	RO	0x0	Reserved. Must be written with zero. Contains zeros when read.
6:1	TGT_DIV_INT	RW	0x0	Target value of the integer part for Audio PLL
0	START	RW	0x0	Starts the audio modulation. If this bit is not set, then the DIV_INT and DIV_FRAC inputs to the PLL are TGT_DIV_INT and TGT_DIV_FRAC fields of this register. Otherwise, the PLL inputs receive the modulated values.

**8.4.13 Audio PLL Jitter Control (AUDIO\_PLL\_MOD\_STEP)**

Address: 0x18050038

Access: Read/Write

Reset: See field description

Controls the jitter behavior of the AUDIO PLL.

Bit	Bit Name	Type	Reset	Description
31:14	FRAC	RW	0x1	Fractional part of the divider step value
13:4	INT	RW	0x0	Unused
3:0	UPDATE_CNT	RW	0x0	Update frequency. 0 denotes an update every clock

**8.4.14 Current Audio Modulation Output (CURRENT\_AUDIO\_PLL\_MODULATION)**

Address: 0x1805003C

Access: Read-Only

Reset: See field description

Sets the current audio modulation logic output.

Bit	Bit Name	Reset	Description
31:28	RES	0x0	Reserved. Must be written with zero. Contains zeros when read.
27:10	FRAC	0x1	The fractional part of the divider
9:7	RES	0x0	Reserved. Must be written with zero. Contains zeros when read.
6:1	INT	0x0	Integer part of the divider
0	RES	0x0	Reserved



**8.4.15 DRR PLL Dither Parameter (DDR\_PLL\_DITHER)**

Address: 0x18050044

Access: Read/Write

Reset: See field description

Controls the FRAC of the DDRPLL. Should be enabled only if the DDR\_CLK is from the DDRPLL.

Bit	Bit Name	Type	Reset	Description
31	DITHER_EN	RW	0x0	The step value which increments every refresh period
30:27	UPDATE_COUNT	RW	0x0	The number of refresh periods between two updates
26:20	NFRAC_STEP	RW	0x0	7-bit LSB step value which increments every refresh period
19:10	NFRAC_MIN	RW	0x0	The minimum NFRAC value
9:0	NFRAC_MAX	RW	0x0	The maximum NFRAC value

**8.4.16 CPU PLL Dither Parameter (CPU\_PLL\_DITHER)**

Address: 0x18050048

Access: Read/Write

Reset: 0x0

Sets the parameters for the CPU PLL dither.

Bit	Bit Name	Description
31	DITHER_EN	The step value which increments every refresh period
30:24	RES	Reserved. Must be written with zero. Contains zeros when read.
23:18	UPDATE_COUNT	The number of 512 CPU clocks between two updates in NFRAC
17:12	NFRAC_STEP	The step value increment
11:6	NFRAC_MIN	The minimum NFRAC value. If DITHER_EN is set to 0, the min would be used.
5:0	NFRAC_MAX	The maximum NFRAC value

## 8.5 Reset Registers

Table 8-6 summarizes the reset registers for the AR9344.

Table 8-6. Reset Registers Summary

Address	Name	Description	Page
0x18060000	RST_GENERAL_TIMER	General Purpose Timer	page 146
0x18060004	RST_GENERAL_TIMER1_RELAOD	General Purpose Timer Reload	page 146
0x18060008	RST_WATCHDOG_TIMER_CONTROL	Watchdog Timer Control	page 147
0x1806000C	RST_WATCHDOG_TIMER	Watchdog Timer	page 147
0x18060010	RST_MISC_INTERRUPT_STATUS	Misc Interrupt Status	page 148
0x18060014	RST_MISC_INTERRUPT_MASK	Misc Interrupt Mask	page 149
0x18060018	RST_GLOBAL_INTERRUPT_STATUS	Global Interrupt Status	page 149
0x1806001C	RST_RESET	Reset	page 150
0x18060090	RST_REVISION_ID	Chip Revision ID	page 151
0x180600AC	RST_PCIE_WMAC_INTERRUPT_STATUS	PCIE, RC and WMAC Interrupt Status	page 151
0x180600BC	RST_MISC2	Miscellaneous CPU Control Bits	page 152

### 8.5.1 General Purpose Timers (RST\_GENERAL\_TIMER<sub>x</sub>)

Timer1 Address: 0x18060000  
 Timer2 Address: 0x18060094  
 Timer3 Address: 0x1806009C  
 Timer4 Address: 0x180600A4  
 Access: Read/Write  
 Reset: 0x0

This timer counts down to zero, sets, interrupts, and then reloads from the register “General Purpose Timers Reload (RST\_GENERAL\_TIMER\_RELOAD<sub>x</sub>)”. This definition holds true for timer1, timer2, timer3, and timer4.

Bit	Bit Name	Description
31:0	TIMER	Timer value

### 8.5.2 General Purpose Timers Reload (RST\_GENERAL\_TIMER\_RELOAD<sub>x</sub>)

Timer1 Reload Address: 0x18060004  
 Timer2 Reload Address: 0x18060098  
 Timer3 Reload Address: 0x180600A0  
 Timer4 Reload Address: 0x180600A8  
 Access: Read/Write  
 Reset: 0x0

This register contains the value that will be loaded into the register “General Purpose Timers (RST\_GENERAL\_TIMER<sub>x</sub>)” when it decrements to zero. This definition holds true for timer1, timer2, timer3, and timer4.

Bit	Bit Name	Description
31:0	RELOAD_VALUE	Timer reload value

### 8.5.3 Watchdog Timer Control (*RST\_WATCHDOG\_TIMER\_CONTROL*)

Address: 0x18060008  
 Access: See field description  
 Reset: 0x0

Sets the action to take when the watchdog timer reaches zero. The options are reset, non-maskable interrupt and general purpose interrupt after reaching zero.

Bit	Bit Name	Type	Description	
31	LAST	RO	Indicates if the last reset was due to a watchdog timeout	
30:2	RES	RO	Reserved. Must be written with zero. Contains zeros when read.	
1:0	ACTION	RW	The action to be taken after the timer reaches zero	
			00	No action
			01	General purpose interrupt
			10	Non-maskable interrupt
			11	Full chip reset, same as power-on reset

### 8.5.4 Watchdog Timer (*RST\_WATCHDOG\_TIMER*)

Address: 0x1806000C  
 Access: Read/Write  
 Reset: 0x0

Bit	Bit Name	Description
31:0	TIMER	Counts down to zero and stays at zero until the software sets this timer to another value. These bits should be set to a non-zero value before updating the <i>RST_WATCHDOG_TIMER_CONTROL</i> register to a non-zero number.

### 8.5.5 Miscellaneous Interrupt Status (*RST\_MISC\_INTERRUPT\_STATUS*)

Address: 0x18060010

Access: Read/Write-to-Clear

Reset: 0x0

Sets the current state of the interrupt lines that are combined to form the MiscInterrupt to the processor. All bits of this register need a write to clear.

Bit	Bit Name	Description
31:22	RES	Reserved. Must be written with zero. Contains zeros when read.
21	NANDF_INTR	This interrupt is generated by the NAND_FLASH module. This bit is cleared after a write of this register.
20	WOW_INTR	This interrupt is generated when the MAC detects a WOW event. This bit is cleared after a write of this register.
19	SLIC_INTR	This interrupt is generated from SLIC for an unexpected frame sync in slave mode. This bit is cleared after a write of this register.
18	DDR_ACTIVITY_IN_SF	This interrupt is generated when the memory controller detects a DDR request when in self-refresh.
17	DDR_SF_EXIT	This interrupt is generated by the memory controller upon entering self-refresh
16	DDR_SF_ENTRY	This interrupt is generated by the memory controller upon entering self-refresh
15	CHKSUM_ACC_INT	This interrupt is generated from the checksum accelerator
14	RES	Reserved
13	LUTS_AGER_INT	This interrupt is generated from the ETH_LUT_TOP. This bit is cleared after a write of this register.
12	SW_MAC_INT	The interrupt is generated from the Ethernet switch core. This bit is cleared after a write of this register.
11	RES	Reserved
10	TIMER4_INT	The interrupt corresponding to General Purpose Timer4. This bit is cleared after being read. The timer has been immediately reloaded from the “ <a href="#">General Purpose Timers Reload (RST_GENERAL_TIMER_RELOADx)</a> ” register.
9	TIMER3_INT	The interrupt corresponding to General Purpose Timer3. This bit has been cleared after being read. The timer will be immediately reloaded from the “ <a href="#">General Purpose Timers Reload (RST_GENERAL_TIMER_RELOADx)</a> ” register.
8	TIMER2_INT	The interrupt corresponding to General Purpose Timer2. This bit has been cleared after being read. The timer will be immediately reloaded from the “ <a href="#">General Purpose Timers Reload (RST_GENERAL_TIMER_RELOADx)</a> ” register.
7	MBOX_INT	SLIC/I2S/SPDIF/MBOX controller interrupt. The MBOX controller register must be read to clear this interrupt.
6	UART1_INT	This interrupt is generated by UART1. The UART1 interrupt registers must be read for this bit to be cleared
5	PC_INT	CPU performance counter interrupt. Generated whenever either of the internal CPU performance counters have bit [31] set. The relevant performance counter must be reset to clear this interrupt.
4	WATCHDOG_INT	The watchdog timer interrupt. This interrupt is generated when the watchdog timer reaches zero and the watchdog configuration register is configured to generate a general-purpose interrupt.
3	UART0_INT	The UART0 interrupt. UART0 interrupt registers must be read before this interrupt can be cleared.
2	GPIO_INT	The GPIO interrupt. Individual lines must be masked before this interrupt can be cleared.
1	ERROR_INT	The error interrupt.
0	TIMER_INT	Interrupt occurring in correspondence to the general purpose timer0. This bit is cleared after being read. The timer has already been reloaded from the “ <a href="#">General Purpose Timers Reload (RST_GENERAL_TIMER_RELOADx)</a> ” register.

### 8.5.6 Miscellaneous Interrupt Mask (RST\_MISC\_INTERRUPT\_MASK)

Address: 0x18060014

Access: Read/Write

Reset: 0x0

Enables or disables a propagation of interrupts in the “Miscellaneous Interrupt Status (RST\_MISC\_INTERRUPT\_STATUS)” register.

Bit	Bit Name	Description
31:22	RES	Reserved. Must be written with zero. Contains zeros when read.
21	NANDF_INTR_MASK	Enables the NANDF interrupt
20	WOW_INTR_MASK	Enable the WOW interrupt
19	SLIC_INTR_MASK	Enables the SLIC interrupt
18	DDR_ACTIVITY_IN_SF_MASK	Enables the interrupt generated when the memory controller detects a DDR request when in self-refresh
17	DDR_SF_EXIT_MASK	Enables the interrupt generated when the memory controller enters self-refresh
16	DDR_SF_ENTRY_MASK	Enables the interrupt generated when the memory controller enters self-refresh
15	CHKSUM_ACC_MASK	Enables the checksum interrupt
14	RES	Reserved
13	LUTS_AGER_INT_MASK	Enables the LUT ager interrupt
12	SW_MAC_INT_MASK	Enables the interrupt generated by the Ethernet switch core
11	DDR_PERF_MASK	Enables the DDR performance hit interrupt
10	TIMER4_MASK	When set, enables Timer3 interrupt
9	TIMER3_MASK	When set, enables Timer2 interrupt
8	TIMER2_MASK	When set, enables Timer1 interrupt
7	MBOX_MASK	When set, enables MBOX interrupt
6	UART1_MASK	When set, enables the UART1 interrupt
5	PC_MASK	When set, enables CPU performance counter interrupt
4	WATCHDOG_MASK	When set, enables watchdog interrupt
3	UART0_MASK	When set, enables the UART0 interrupt
2	GPIO_MASK	When set, enables GPIO interrupt
1	ERROR_MASK	When set, enables the error interrupt
0	TIMER_MASK	When set, enables timer interrupt

### 8.5.7 Global Interrupt Status (RST\_GLOBAL\_INTERRUPT\_STATUS)

Address: 0x18060018

Access: Read-Only

Reset: 0x0

This register is a duplication of the Cause register inside the CPU. During normal operation, it should not be used by software. Software can force an interrupt for testing by writing bits to this register.

Bit	Bit Name	Description
31:7	RES	Reserved. Must be written with zero. Contains zeros when read.
6	PCIE_HSTDMA_INT	PCIE EP/Host DMA interrupt
5	TIMER_INT	Internal count/compare timer interrupt
4	MISC_INT	Miscellaneous interrupt; source of the interrupt available on the “Miscellaneous Interrupt Status (RST_MISC_INTERRUPT_STATUS)” register
3	GMAC1_INT	Ethernet1 interrupt; information available in the Ethernet1 register space
2	GMAC0_INT	Ethernet0 interrupt; information available in the Ethernet0 register space
1	USB_INT	USB interrupt
0	PCIE_INT	PCIE interrupt

## 8.5.8 Reset (RST\_RESET)

Address: 0x1806001C

Access: Read/Write

Reset: See field description

This register individually controls the reset to each of the chip's submodules.

Bit	Bit Name	Reset	Type	Description
31	HOST_RESET	0x0	RO	The host DMA reset status
30	SLIC_REST	0x0	RW	The SLIC reset
29	HDMA_RESET	0x1	RW	The host DMA reset
28	EXTERNAL_RESET	0x0	RW	Commands an external reset (SYS_RST_L pin) immediately; inverted before being sent to the pin.
27	RTC_RESET	0x1	RW	The RTC reset
26	PCIEEP_RST_INT	0x0	RW	This interrupt is asserted when the PCIE EP is reset by and external host and cleared on a write to this bit
25	CHKSUM_ACC_RESET	0x0	RW	Used to reset the checksum
24	FULL_CHIP_RESET	0x0	RW	Used to command a full chip reset. This is the software equivalent of pulling the reset pin. The system will reboot with PLL disabled. Always zero when read.
23	RESET_GMAC1_MDIO	0x1	RW	Resets the Ethernet 1 MDIO
22	RESET_GMAC0_MDIO	0x1	RW	Resets the Ethernet 0 MDIO
21	CPU_NMI	0x0	RW	Used to send an NMI to the CPU. Always zero when read. The watchdog timer can also be used to generate NMI/full chip reset.
20	CPU_COLD_RESET	0x0	RW	Used to cold reset the entire CPU. This bit will be cleared automatically immediately after the reset. Always zero when read.
19	HOST_RESET_INT	0x0	RW	Host DMA reset interrupt. Cleared after a write to this bit
18	PCIEEP_RESET	0x0	RO	PCIE endpoint reset status
17	UART1_RESET	0x0	RW	Resets the DDR controller
16	DDR_RESET	0x0	RW	Resets the DDR controller. Self-cleared to 0 by hardware
15	USB_PHY_PLL_PWD_EXT	0x0	RW	Used to power down the USB PHY PLL
14	NANDF_RESET	0x1	RW	Resets the NANDF controller
13	GMAC1_MAC_RESET	0x1	RW	Used to reset the GMAC1 MAC
12	ETH_SWITCH_ARESET	0x1	RW	Resets the switch analog
11	USB_PHY_ARESET	0x1	RW	Resets the USB PHY's analog
10	HOST_DMA_INT	0x0	RO	Host DMA interrupt occurred
9	GMAC1_MAC_RESET	0x1	RW	Used to reset the GMAC1 MAC
8	ETH_SWITCH_RESET	0x1	RW	Asserts the external MII0_RESET_L pin
7	PCIE_PHY_RESET	0x1	RW	Used to reset the PCIE PHY
6	PCIE_RESET	0x1	RW	Used to reset the PCIE Host Controller. This bit will reset the Endpoint as well.
5	USB_HOST_RESET	0x1	RW	Used to reset the USB Host Controller
4	USB_PHY_RESET	0x1	RW	Used to reset the USB PHYs
3	USB_PHY_SUSPEND_OVERRIDE	0x0	RW	Used to set the USB suspend state
				0   Used to put the USB PHY in suspend state
				1   Delegates the Core to control the USB PHY suspend state
2	LUT_RESET	0x0	RW	Resets the lookup engine in the GMAC
1	MBOX_RESET	0x0	RW	Resets the MBOX controller
0	I2S_RESET	0x0	RW	Resets the I <sup>2</sup> S controller

### 8.5.9 Chip Revision ID (*RST\_REVISION\_ID*)

Address: 0x18060090

Access: Read-Only

Reset: See field description

This register is the revision ID for the chip.

Bit	Bit Name	Reset	Description
31:0	VALUE	0x011C0	Revision ID value

### 8.5.10 PCIE RC and WMAC Interrupt Status (*RST\_PCIE\_WMAC\_INTERRUPT\_STATUS*)

Address: 0x180600AC

Access: Read-Only

Reset: 0x0

This register is used to read the interrupt statuses for PCIE RC and WMAC interrupts.

Bit	Bit Name	Description
31:9	RES	Reserved. Must be written with zero. Contains zeros when read.
8	PCIE_RC_INT3	PCIE RC Multi-MSI interrupt (vector 3)/INTA interrupt status
7	PCIE_RC_INT2	PCIE RC Multi-MSI interrupt (vector 2)/INTB interrupt status
6	PCIE_RC_INT1	PCIE RC Multi-MSI interrupt (vector 1)/INTC interrupt status
5	PCIE_RC_INT0	PCIE RC Multi-MSI interrupt (vector 0)/INTD interrupt status
4	PCIE_RC_INT	Master PCIE RC interrupt
3	WMAC_RXHP_INT	Interrupt corresponding to the WMAC high priority receive queue
2	WMAC_RXLP_INT	Interrupt corresponding to the WMAC low priority receive queue
1	WMAC_TX_INT	Interrupt corresponding to the WMAC transmission
0	WMAC_MISC_INT	Interrupt corresponding to the WMAC

### 8.5.11 Miscellaneous CPU Control Bits (RST\_MISC2)

Address: 0x180600BC

Access: Read/Write

Reset: See field description

This register contains the miscellaneous CPU controllable bits.

Bit	Bit Name	Type	Reset	Description
31:26	RES	RO	0x0	Reserved
25	PCIEEP_L2_EXIT_INT	RW	0x0	L2 exit interrupt status for PCIE EP
24	PCIEEP_L2_ENTR_INT	RW	0x0	L2 entry interrupt status for PCIE EP
23	PCIEEP_L1_EXIT_INT	RW	0x0	L1 exit interrupt status for PCIE EP
22	PCIEEP_L1_ENTR_INT	RW	0x0	L1 entry interrupt status for PCIE EP
21	PCIEEP_L0S_EXIT_INT	RW	0x0	L0S exit interrupt status for PCIE EP
20	PCIEEP_L0S_ENTR_INT	RW	0x0	L0S entry interrupt status for PCIE EP
19	PCIEEP_REGWR_EN	RW	0x1	CPU enable bit which allows programming of PCIE EP core registers through the DBI
18	EXT_HOST_CHIP_RST_EN	RW	0x0	Mode bit to allow an external host to rest the entire chip through propagation of the PCIE_RST_L through to the chip CPU.
17	PCIE_RST_INT_MASK	RW	0x0	The mask bit for the PCIE EP interrupt
16	HOST_RESET_INT_MASK	RW	0x0	The mask bit for the host reset interrupt
15	CPU_HOST_WA	RW	0x0	The bit which allows the host WA register to use the values written by the CPU in the RST_PCIEEP_WA register
14	PRESTN_EPPHY	RW	0x1	The bit which controls the PERTSN of the PCIE EP
13	PRESTN_RCPHY	RW	0x1	The bit which controls the PERTSN of the PCIE RC PHY
12:8	PCIEEP_LTSSM_STATE	RO	0x0	LTSSM state of the PCIE EP
7	PCIEEP_L2_INT_MASK	RW	0x0	The mask bit for the L2 interrupt status from the PCIE EP
6	PCIEEP_L1_INT_MASK	RW	0x0	The mask bit for the L1 interrupt status from the PCIE EP
5	PCIEEP_L0S_INT_MASK	RW	0x0	The mask bit for the L0S interrupt status from the PCIE EP
4	PCIEEP_LINK_STATUS	RO	0x0	The status of the PCIE EP link, whether enabled or in reset
3:1	RESERVED	RW	0x0	Reserved bits
0	PCIEEP_CFG_DONE	RW	0x0	Enable bit set by the CPU after it has finished programming the vector/device ID of the PCIE EP (after the external host interface has asserted PCIE_RST_L



## 8.6 GMAC Interface Registers

Table 8-7 summarizes the GMAC interface registers for the AR9344.

Table 8-7. GMAC Interface Registers Summary

Address	Name	Description	Page
0x18070000	ETH_CFG	Ethernet Configuration	<a href="#">page 153</a>
0x18070004	LUTS_AGER_INTR	LUT4s Ager Interrupt Status	<a href="#">page 154</a>
0x18070008	LUTS_AGER_INTR_MASK	LUTs Ager Interrupt Mask	<a href="#">page 154</a>
0x1807000C	GMAC0_RX_DATA_CRC_CNTRL	GMAC0 RX Data CRC Calculation Control	<a href="#">page 154</a>
0x18070010	GMAC0_RX_DATA_CRC	GMAC0 Valid Rx Data CRC Value	<a href="#">page 154</a>

### 8.6.1 Ethernet Configuration (ETH\_CFG)

Address: 0x18070000

Access: Read/Write

Reset: 0x0

This register determines how GMAC0 is interfaced in the AR9344. If SW\_ONLY\_MODE is set, then all five FE ports attach to the Ethernet switch (LAN ports).

If RMII\_GMAC0, RGMII\_GMAC0, or MII\_GMAC0 is set, then GMAC0 comes out as MAC interface.

Bit	Bit Name	Description
31:22	RES	Reserved
21:20	ETH_TXEN_DELAY	Specific selection of the delay line for Tx En
19:18	ETH_TXD_DELAY	Specific selection of the delay line for Tx Data
17:16	ETH_RXDV_DELAY	Specific selection of the delay line for Rx DV
15:14	ETH_RXD_DELAY	Specific selection of the delay line for Rx Data
13	SW_ACC_MSB_FIRST	Enables MSB data first during the Switch register write
12	RMII_GMAC0_MASTER	Enables RMII master mode. When set, the internal PLL clock is used. If not set, the external clock is used.
11	MII_CNTL_SPEED	Interface speed
10	RMII_GMAC0	Enables the RMII
9	SW_APB_ACCESS	Enables APB access to the Switch registers instead of the MDIO
8	RES	Reserved
7	SW_PHY_SWAP	Enables swapping of PHY0 and PHY4 in the Switch for the WAN
6	SW_ONLY_MODE	Enables the WAN port PHY to be connected to the Switch instead of GMAC0
5	GMAC0_ERR_EN	Enables ETX_ER and ERX_ER signals
4	MII_GMAC0_SLAVE	If set, GMAC0 receives both Tx and Rx clocks. If unset, GMAC0 generates the Tx clock
3	MII_GMAC0_MASTER	If set, GMAC0 generates both Tx and Rx clocks. If unset, GMAC0 receives Rx clocks
2	GMII_GMAC0	Attaches the GMII interface to GMAC0
1	MII_GMAC0	Attaches the MII interface to GMAC0
0	RGMII	Attaches the RGMII interface to GMAC0

### 8.6.2 LUTs Ager Interrupt Status (LUTs\_AGER\_INT)

Address: 0x18070004

Access: Read/Write

Reset: 0x0

This register configures the interrupt settings for the Look Up Table (LUT).

Bit	Bit Name	Description
31:4	RES	Reserved. Must be written with zero. Contains zeros when read.
3:0	INTR	Denotes the interrupt status
		Bit[0] Egress fragmentation LUT
		Bit[1] Egress LUT
		Bit[2] Ingress fragmentation LUT
	Bit[3] Ingress LUT	

### 8.6.3 LUTs Ager Interrupt Mask (LUTS\_AGER\_INTR\_MASK)

Address: 0x18070008

Access: Read/Write

Reset: See field description

This register configures the interrupt mask settings for the Look Up Table (LUT).

Bit	Bit Name	Type	Reset	Description
31:4	RES	RO	0x0	Reserved. Must be written with zero. Contains zeros when read.
3:0	INTR	RW	0xF	Denotes the interrupt status mask
				Bit[0] Egress fragmentation LUT
				Bit[1] Egress LUT
				Bit[2] Ingress fragmenting LUT
				Bit[3] Ingress LUT
				0 Interrupt Masked
1 Interrupt Enabled				

### 8.6.4 GMACO Rx Data CRC Calculation Control (GMACO\_RXDATA\_CRC\_CONTROL)

Address: 0x1807000C

Access: Read/Write

Reset: See field description

This register is used to set the CRC calculations and resulting values.

Bit	Bit Name	Reset	Description
31:2	RES	0x0	Reserved. Must be written with zero. Contains zeros when read.
1	RST	0x1	CRC configuration
			0 Enables CRC calculation
			1 Resets DDR_ADRS_CRC
0	EN	0x0	CRC calculation configuration
			0 Holds the calculated CRC values
			1 Enables CRC calculation

### 8.6.5 GMACO Valid RX Data CRC Value (GMACO\_RXDATA\_CRC)

Address: 0x18070010

Access: Read-Only

Reset: 0x0

This register holds the CRC values for the FIFO speed.

Bit	Bit Name	Description
31:16	RES	Reserved. Must be written with zero. Contains zeros when read.
15:0	VAL	When enabled, holds the CRC values for the valid data that goes into async 10/100/1000 Mbps speed FIFO as per $x^{16} + x^{12} + x^5 + 1$ .

## 8.7 GMAC0 Ingress NAT /Egress NAT Registers

Table 8-8 summarizes the GMAC0 ingress/egress NAT registers for the AR9344.

**Table 8-8. GMAC0 Ingress NAT/Egress NAT Registers Summary**

Address	Name	Description	Page
0x18080000	EG_CPU_REQ	Egress CPU Requested LUT Entry Lookup	page 158
0x18080004	EG_CPU_REQ_STATUS	Egress CPU Request Status	page 158
0x18080008	EG_INFO_DW0	Egress DW0 Information	page 159
0x1808000C	EG_CPU_REQUESTED_INFO_DW0	Egress CPU Requested DW0 Information	page 159
0x18080010	EG_KEY_DW0	Egress DW0 Key	page 159
0x18080014	EG_KEY_DW1	Egress DW1 Key	page 159
0x18080018	EG_AGER_KEY_DW0	Egress Ageout DW0 Key	page 159
0x1808001C	EG_AGER_KEY_DW1	Egress Ageout DW1 Key	page 160
0x18080020	EG_AGER_INFO	Egress Ager FIFO Signals	page 160
0x18080024	EG_MEM	Egress Memory	page 160
0x18080028	EG_MEM_DW0	Egress Memory DW0	page 160
0x1808002C	EG_MEM_DW1	Egress Memory DW1	page 161
0x18080030	EG_MEM_DW2	Egress Memory DW2	page 161
0x18080034	EG_LINKLIST	Egress Linklist	page 161
0x18080038	EG_SUBTABLE	Egress Subtable Data	page 161
0x1808003C	EG_AGER_TICK	Egress Timer Ager Values	page 162
0x18080040	EG_AGER_TIMEOUT	Egress Ager Timeout	page 162
0x18081000	IG_CPU_REQ	Ingress CPU Requested LUT Entry Lookup	page 162
0x18081004	IG_CPU_REQ_STATUS	Ingress CPU Request Status	page 163
0x18081008	IG_INFO_DW0	Ingress DW0 Information	page 163
0x1808100C	IG_INFO_DW1	Ingress DW1 Information	page 163
0x18081010	IG_INFO_DW2	Ingress DW2 Information	page 164
0x18081014	IG_INFO_DW3	Ingress DW3 Information	page 164
0x18081018	IG_CPU_REQUESTED_INFO_DW0	Ingress CPU Requested DW0 Information	page 164
0x1808101C	IG_CPU_REQUESTED_INFO_DW1	Ingress CPU Requested DW1 Information	page 164
0x18081020	IG_CPU_REQUESTED_INFO_DW2	Ingress CPU Requested DW2 Information	page 164
0x18081024	IG_CPU_REQUESTED_INFO_DW3	Ingress CPU Requested DW3 Information	page 165
0x18081028	IG_KEY_DW0	Ingress DW0 Key	page 165
0x1808102C	IG_AGER_KEY_DW0	Ingress Ageout DW0 Key	page 165
0x18081030	IG_AGER_INFO	Ingress Ager FIFO Signals	page 165
0x18081034	IG_MEM	Ingress Memory	page 166
0x18081038	IG_MEM_DW0	Ingress Memory DW0	page 166
0x1808103C	IG_MEM_DW1	Ingress Memory DW1	page 166
0x18081040	IG_MEM_DW2	Ingress Memory DW2	page 166
0x18081044	IG_MEM_DW3	Ingress Memory DW3	page 166
0x18081048	IG_LINKLIST	Ingress Linklist	page 167
0x1808104C	IG_SUBTABLE	Ingress Subtable Data	page 167

**Table 8-8. GMACO Ingress NAT/Egress NAT Registers Summary (continued)**

Address	Name	Description	Page
0x18081050	IG_AGER_TICK	Ingress Timer Ager Values	<a href="#">page 167</a>
0x18081054	IG_AGER_TIMEOUT	Ingress Ager Timeout	<a href="#">page 167</a>
0x180811D8	TxQOS_ARB_CFG	Tx QoS Arbiter Configuration	<a href="#">page 168</a>
0x180811E4	DMATxStatus_123	Tx Status and Packet Count	<a href="#">page 168</a>
0x18081200	LCL_MAC_ADDR_DW0	Local MAC Address Dword0	<a href="#">page 168</a>
0x18081204	LCL_MAC_ADDR_DW0	Local MAC Address Dword1	<a href="#">page 169</a>
0x18081208	NXT_HOP_DST_ADDR_DW0	Next Hope Router's MAC Address Dword0	<a href="#">page 169</a>
0x1808120C	NXT_HOP_DST_ADDR_DW01	Next Hope Router's MAC Address Dword1	<a href="#">page 169</a>
0x18081210	GLOBAL_IP_ADDR0	Local Global IP Address 0	<a href="#">page 169</a>
0x18081214	GLOBAL_IP_ADDR1	Local Global IP Address 1	<a href="#">page 169</a>
0x18081218	GLOBAL_IP_ADDR2	Local Global IP Address 2	<a href="#">page 170</a>
0x1808121C	GLOBAL_IP_ADDR3	Local Global IP Address 3	<a href="#">page 170</a>
0x18081228	EG_NAT_CSR	Egress NAT Control and Status	<a href="#">page 170</a>
0x1808122C	EG_NAT_CNTR	Egress NAT Counter	<a href="#">page 171</a>
0x18081230	IG_NAT_CSR	Ingress NAT Control and Status	<a href="#">page 171</a>
0x18081234	IG_NAT_CNTR	Ingress NAT Counter	<a href="#">page 171</a>
0x18081238	EG_ACL_CSR	Egress ACL Control and Status	<a href="#">page 172</a>
0x1808123C	IG_ACL_CSR	Ingress ACL Control and Status	<a href="#">page 172</a>
0x18081240	EG_ACL_CMD0_AND_ACTION	Egress ACL CMD0 and Action	<a href="#">page 173</a>
0x18081244	EG_ACL_CMD1234	Egress ACL CMD1, CMD2, CMD3, CMD4	<a href="#">page 173</a>
0x18081248	EG_ACL_OPERAND0	Egress ACL OPERAND0	<a href="#">page 173</a>
0x1808124C	AG_ACL_OPERAND1	Egress ACL OPERAND0	<a href="#">page 174</a>
0x18081250	EG_ACL_MEM_CONTROL	Egress ACL Memory Control	<a href="#">page 174</a>
0x18081254	IG_ACL_CMD0_AND_ACTION	Ingress ACL CMD0 and Action	<a href="#">page 175</a>
0x18081258	IG_ACL_CMD1234	Ingress ACL CMD1, CMD2, CMD3, CMD4	<a href="#">page 175</a>
0x1808125C	IG_ACL_OPERAND0	Ingress ACL OPERAND0	<a href="#">page 175</a>
0x1808125C	IG_ACL_OPERAND1	Ingress ACL OPERAND1	<a href="#">page 176</a>
0x18081264	IG_ACL_MEM_CONTROL	Ingress ACL Memory Control	<a href="#">page 176</a>
0x18081268	IG_ACL_COUNTER_GRP0	Ingress ACL Counter Group 0	<a href="#">page 177</a>
0x18081268	IG_ACL_COUNTER_GRP1	Ingress ACL Counter Group 1	<a href="#">page 177</a>
0x18081270	IG_ACL_COUNTER_GRP2	Ingress ACL Counter Group 2	<a href="#">page 177</a>
0x18081274	IG_ACL_COUNTER_GRP3	Ingress ACL Counter Group 3	<a href="#">page 177</a>
0x18081278	IG_ACL_COUNTER_GRP4	Ingress ACL Counter Group 4	<a href="#">page 178</a>
0x1808127C	IG_ACL_COUNTER_GRP5	Ingress ACL Counter Group 5	<a href="#">page 178</a>
0x18081280	IG_ACL_COUNTER_GRP6	Ingress ACL Counter Group 6	<a href="#">page 178</a>
0x18081284	IG_ACL_COUNTER_GRP7	Ingress ACL Counter Group 7	<a href="#">page 178</a>
0x18081288	IG_ACL_COUNTER_GRP8	Ingress ACL Counter Group 8	<a href="#">page 179</a>
0x1808128C	IG_ACL_COUNTER_GRP9	Ingress ACL Counter Group 9	<a href="#">page 179</a>
0x18081290	IG_ACL_COUNTER_GRP10	Ingress ACL Counter Group 10	<a href="#">page 179</a>
0x18081294	IG_ACL_COUNTER_GRP11	Ingress ACL Counter Group 11	<a href="#">page 179</a>
0x18081298	IG_ACL_COUNTER_GRP12	Ingress ACL Counter Group 12	<a href="#">page 180</a>
0x1808129C	IG_ACL_COUNTER_GRP13	Ingress ACL Counter Group 13	<a href="#">page 180</a>

Table 8-8. GMACO Ingress NAT/Egress NAT Registers Summary (continued)

Address	Name	Description	Page
0x180812A0	IG_ACL_COUNTER_GRP14	Ingress ACL Counter Group 14	<a href="#">page 180</a>
0x180812A4	IG_ACL_COUNTER_GRP15	Ingress ACL Counter Group 15	<a href="#">page 180</a>
0x180812A8	EG_ACL_COUNTER_GRP0	Egress ACL Counter Group 0	<a href="#">page 181</a>
0x180812AC	EG_ACL_COUNTER_GRP1	Egress ACL Counter Group 1	<a href="#">page 181</a>
0x180812B0	EG_ACL_COUNTER_GRP2	Egress ACL Counter Group 2	<a href="#">page 181</a>
0x180812B4	EG_ACL_COUNTER_GRP3	Egress ACL Counter Group 3	<a href="#">page 181</a>
0x180812B8	EG_ACL_COUNTER_GRP4	Egress ACL Counter Group 4	<a href="#">page 182</a>
0x180812BC	EG_ACL_COUNTER_GRP5	Egress ACL Counter Group 5	<a href="#">page 182</a>
0x180812C0	EG_ACL_COUNTER_GRP6	Egress ACL Counter Group 6	<a href="#">page 182</a>
0x180812C4	EG_ACL_COUNTER_GRP7	Egress ACL Counter Group 7	<a href="#">page 182</a>
0x180812C8	EG_ACL_COUNTER_GRP8	Egress ACL Counter Group 8	<a href="#">page 183</a>
0x180812CC	EG_ACL_COUNTER_GRP9	Egress ACL Counter Group 9	<a href="#">page 183</a>
0x180812D0	EG_ACL_COUNTER_GRP10	Egress ACL Counter Group 10	<a href="#">page 183</a>
0x180812D4	EG_ACL_COUNTER_GRP11	Egress ACL Counter Group 11	<a href="#">page 183</a>
0x180812D8	EG_ACL_COUNTER_GRP12	Egress ACL Counter Group 12	<a href="#">page 184</a>
0x180812DC	EG_ACL_COUNTER_GRP13	Egress ACL Counter Group 13	<a href="#">page 184</a>
0x180812E0	EG_ACL_COUNTER_GRP14	Egress ACL Counter Group 14	<a href="#">page 184</a>
0x180812E4	EG_ACL_COUNTER_GRP15	Egress ACL Counter Group 15	<a href="#">page 184</a>
0x180812E8	CLEAR_ACL_COUNTERS	Clear ACL Counters	<a href="#">page 185</a>
0x18081320	IG_ACL_RULE_VECTOR_LOWER	Ingress ACL Rule Vector Lower	<a href="#">page 185</a>
0x18081324	IG_ACL_RULE_VECTOR_UPPER	Ingress ACL Rule Vector Upper	<a href="#">page 185</a>
0x18081328	EG_ACL_RULE_VECTOR_LOWER	Egress ACL Rule Vector Lower	<a href="#">page 185</a>
0x1808132C	EG_ACL_RULE_VECTOR_UPPER	Egress ACL Rule Vector Upper	<a href="#">page 185</a>
0x18081334	IG_ACL_RULE_TABLE0_LOWER	Ingress ACL Rule Table0 Lower	<a href="#">page 186</a>
0x18081338	IG_ACL_RULE_TABLE0_UPPER	Ingress ACL Rule Table0 Upper	<a href="#">page 186</a>
0x1808133C	IG_ACL_RULE_TABLE1_LOWER	Ingress ACL Rule Table1 Lower	<a href="#">page 186</a>
0x18081340	IG_ACL_RULE_TABLE1_UPPER	Ingress ACL Rule Table1 Upper	<a href="#">page 186</a>
0x18081344	IG_ACL_RULE_TABLE2_LOWER	Ingress ACL Rule Table2 Lower	<a href="#">page 186</a>
0x18081348	IG_ACL_RULE_TABLE2_UPPER	Ingress ACL Rule Table2 Upper	<a href="#">page 187</a>
0x1808134C	IG_ACL_RULE_TABLE3_LOWER	Ingress ACL Rule Table3 Lower	<a href="#">page 187</a>
0x18081350	IG_ACL_RULE_TABLE3_UPPER	Ingress ACL Rule Table3 Upper	<a href="#">page 187</a>
0x18081354	EG_ACL_RULE_TABLE0_LOWER	Egress ACL Rule Table0 Lower	<a href="#">page 187</a>
0x18081358	EG_ACL_RULE_TABLE0_UPPER	Egress ACL Rule Table0 Upper	<a href="#">page 187</a>
0x1808135C	EG_ACL_RULE_TABLE1_LOWER	Egress ACL Rule Table1 Lower	<a href="#">page 188</a>
0x18081360	EG_ACL_RULE_TABLE1_UPPER	Egress ACL Rule Table1 Upper	<a href="#">page 188</a>
0x18081364	EG_ACL_RULE_TABLE2_LOWER	Egress ACL Rule Table2 Lower	<a href="#">page 188</a>
0x18081368	EG_ACL_RULE_TABLE2_UPPER	Egress ACL Rule Table2 Upper	<a href="#">page 188</a>
0x1808136C	EG_ACL_RULE_TABLE3_LOWER	Egress ACL Rule Table3 Lower	<a href="#">page 188</a>
0x18081370	EG_ACL_RULE_TABLE3_UPPER	Egress ACL Rule Table3 Upper	<a href="#">page 188</a>

### 8.7.1 Egress CPU Requested LUT Entry Lookup (EG\_CPU\_REQ)

Address: 0x18080000

Access: Read/Write

Reset: See field description

This register denotes the CPU request to insert, delete or lookup an entry in the LUT.

Bit	Bit Name	Reset	Description	
31:7	RES	0x0	Reserved. Must be written with zero. Contains zeros when read.	
6:5	PKT_TYPE	0x1	Type of packet to be inserted into the LUT	
			1	TCP
			2	UDP
			3	ICMP
4	REQ	0x0	This bit is to be asserted to issue any command. Transitioning this bit from 0 to 1 is treated as a new request.	
3	INIT	0x0	Initializes the total LUT	
			0	Out of initialization
			1	Initialize
2:0	COMMAND	0x0	Indicates the type of operation the CPU wants to perform	
			1	Idle
			2	Lookup
			3	Insert
			4	Delete

### 8.7.2 Egress CPU Request Status (EG\_CPU\_REQ\_STATUS)

Address: 0x18080004

Access: Read/Write

Reset: 0x0

This register denotes and sets status for CPU requests.

Bit	Bit Name	Description	
31:7	RES	Reserved. Must be written with zero. Contains zeros when read.	
6	BUCKET_FULL	Denotes the status of the insertion request.	
		0	Indifferent
		1	Insertion failed because the bucket is full
5	REQ_DONE	A one denotes the CPU request was fulfilled. To know the statuses of other commands such as insert_status, bins_full, bucket_full, check their respective statuses.	
4	INSERT_STATUS	Indicates the status of the insert operation. This can be checked along with the COMMAND_STATUS.	
		0	Insertion not successful
		1	Insertion successful
3	BINS_FULL	Current entry insertion failed due to bins_full	
2	DUPLICATE_KEY	Denotes the status of the inserted duplicate key.	
		1	Duplicate key inserted using the insert command
		2	Inserted key is not duplicate
1	DATA_FOUND	This bit is checked when the COMMAND_STATUS or REQ_DONE bit is set to 1.	
		0	Data not found during lookup or deletion
		1	Data found during lookup or deletion
0	COMMAND_STATUS	This bit holds the equivalency of a CPU issued request	

### 8.7.3 Egress DWO Information (EG\_INFO\_DWO)

Address: 0x18080008

Access: Read/Write

Reset: See field description

This register holds 24 bits of Egress information.

Bit	Bit Name	Reset	Description
31:24	RES	0x0	Reserved. Must be written with zero. Contains zeros when read.
23:0	DWORD	0x7FFFF	24 bits of Egress information

### 8.7.4 Egress CPU Related DWO Information (EG\_CPU\_REQUESTED\_INFO\_DWO)

Address: 0x1808000C

Access: Read/Write

Reset: See field description

This register holds 24 bits of Egress information found during deletion or lookup operations.

Bit	Bit Name	Reset	Description
31:24	RES	0x0	Reserved. Must be written with zero. Contains zeros when read.
23:0	DWORD	0x7FFFF	24 bits of Egress information found during deletion or lookup operations

### 8.7.5 Egress DWO Key (EG\_KEY\_DWO)

Address: 0x18080010

Access: Read/Write

Reset: 0x0

This register holds LSB bits of the Egress Key.

Bit	Bit Name	Description
31:0	DWORD	32 LSB bits of the Egress key

### 8.7.6 Egress DW1 Key (EG\_KEY\_DW1)

Address: 0x18080014

Access: Read/Write

Reset: 0x0

This register holds MSB bits of the Egress Key.

Bit	Bit Name	Description
31:18	RES	Reserved. Must be written with zero. Contains zeros when read.
17:0	DWORD	32 MSB bits of the Egress key

### 8.7.7 Egress Ageout DWO Key (EG\_AGER\_KEY\_DWO)

Address: 0x18080018

Access: Read-Only

Reset: 0x0

This register holds LSB bits of the Egress Key.

Bit	Bit Name	Description
31:0	DWORD	32 LSB bits of the Egress key that were deleted during the ageout process

**8.7.8 Egress Ageout DW1 Key (EG\_AGER\_KEY\_DW1)**

Address: 0x1808001C

This register holds MSB bits of the Egress Key.

Access: Read/Write

Reset: 0x0

Bit	Bit Name	Description
31:18	RES	Reserved. Must be written with zero. Contains zeros when read.
17:0	DWORD	18 MSB bits of the key deleted during the ageout process

**8.7.9 Egress Ager FIFO Signals (EG\_AGER\_INFO)**

Address: 0x18080020

This register denotes the statuses for the Ager FIFO signals.

Access: Read/Write

Reset: 0x0

Bit	Bit Name	Description
31:3	RES	Reserved. Must be written with zero. Contains zeros when read.
2	DISABLE	Denotes the status of the ager
		0   Ager is active
		1   Ager is inactive
1	EMPTY	Denotes is the ager FIFO is empty or not
		0   Ager FIFO is not empty
		1   Ager FIFO is empty
0	READ	A rising transition of this signal removes the key from the ager FIFO. This bit can only be read when the previous EMPTY bit is 0.

**8.7.10 Egress Memory (EG\_MEM)**

Address: 0x18080024

This register is used to configure the settings for a memory read or write.

Access: Read/Write

Reset: 0x0

Bit	Bit Name	Description
31:12	RES	Reserved. Must be written with zero. Contains zeros when read.
11	ACK	Acknowledgement for a read/write
10:9	RW	Set to read or write to the memory
		0   Read
		1   Write
8:0	ADDR	Denotes the address of the MAIN_MEMORY for a read/write request

**8.7.11 Egress Memory DWO (EG\_MEM\_DWO)**

Address: 0x18080028

This register is used to read or write to the main memory.

Access: Read/Write

Reset: 0x0

Bit	Bit Name	Description
31:0	DWORD	Read/Write the DWORD0 data to the main memory for a read/write request



**8.7.12 Egress Memory DW1 (EG\_MEM\_DW1)**

Address: 0x1808002C

Access: Read-Only

Reset: 0x0

This register is used to read or write to the main memory.

Bit	Bit Name	Description
31:0	DWORD	Read/Write the DWORD1 data to the main memory for a read/write request

**8.7.13 Egress Memory DW2 (EG\_MEM\_DW2)**

Address: 0x18080030

Access: Read-Only

Reset: 0x0

This register is used to read or write to the main memory.

Bit	Bit Name	Description
31:0	DWORD	Read/Write the DWORD2 data to the main memory for a read/write request

**8.7.14 Egress Link List (EG\_LINKLIST)**

Address: 0x18080034

Access: Read/Write

Reset: 0x0

This register is used to read or write to the link list.

Bit	Bit Name	Description	
31:15	RES	Reserved. Must be written with zero. Contains zeros when read.	
14:8	DATA	The Read/Write data of the linklist	
7	RW	Linklist Read/Write request	
		0	Read
		1	Write
6:0	ADDR	The linklist address	

**8.7.15 Egress Sub-Table Data (EG\_SUBTABLE)**

Address: 0x18080038

Access: Read/Write

Reset: 0x0

This register is used to read or write to the sub-table.

Bit	Bit Name	Description
31:14	RES	Reserved. Must be written with zero. Contains zeros when read.
13:8	DATA	Holds the Read/Write data related to the subtable
7:6	RES	Reserved. Must be written with zero. Contains zeros when read.
5	RW	A Read/Write request for the subtable
4:0	ADDR	The address of the subtable Read/Write address

**8.7.16 Egress Timer Ager Values (EG\_AGER\_TICK)**

Address: 0x1808003C

Access: Read/Write

Reset: See field description

This register denotes the ager timer related values.

Bit	Bit Name	Reset	Description
31:24	RES	0x0	Reserved. Must be written with zero. Contains zeros when read.
23:0	TIME	0x100000	A nano-second timer which allows MSECTIMER increment by one when the free running counter reaches the end of the timer value

**8.7.17 Egress Ager Timeout (EG\_AGER\_TIMEOUT)**

Address: 0x18080040

Access: Read/Write

Reset: 0x20

This register denotes the ager timeout value.

Bit	Bit Name	Description
31:22	ICMP_VALUE	The ICMP timeout value which depends on the TIME bit in “Egress Timer Ager Values (EG_AGER_TICK)” on page 162
21:12	UDP_VALUE	The UDP timeout value which depends on the TIME bit in “Egress Timer Ager Values (EG_AGER_TICK)” on page 162
11:0	TCP_VALUE	TCP timeout value which depends on the TIME bit in “Egress Timer Ager Values (EG_AGER_TICK)” on page 162

**8.7.18 Ingress CPU Requested LUT Entry Lookup (IG\_CPU\_REQ)**

Address: 0x18081000

Access: Read/Write

Reset: See field description

This register denotes the CPU request to insert, delete or lookup an entry in the LUT.

Bit	Bit Name	Reset	Description
31:7	RES	0x0	Reserved. Must be written with zero. Contains zeros when read.
6:5	PKT_TYPE	0x1	Type of packet to be inserted into the LUT
			1   TCP
			2   UDP
4	REQ	0x0	This bit is to be asserted to issue any command. Transitioning this bit from 0 to 1 is treated as a new request.
3	INIT	0x0	Initializes the total LUT
			0   Out of initialization
2:0	COMMAND	0x0	Indicates the type of operation the CPU wants to perform
			1   Idle
			2   Lookup
			3   Insert
			4   Delete

### 8.7.19 Ingress CPU Request Status (IG\_CPU\_REQ\_STATUS)

Address: 0x18081004

Access: Read/Write

Reset: 0x0

This register denotes and sets status for CPU requests.

Bit	Bit Name	Description
31:7	RES	Reserved. Must be written with zero. Contains zeros when read.
6	BUCKET_FULL	Denotes the status of the insertion request.
		0   Indifferent
		1   Insertion failed because the bucket is full
5	REQ_DONE	A one denotes the CPU request was fulfilled. To know the statuses of other commands such as insert_status, bins_full, bucket_full, check their status.
4	INSERT_STATUS	Indicates the status of the insert operation. This can be checked along with the COMMAND_STATUS.
		0   Insertion not successful
		1   Insertion successful
3	BINS_FULL	Current entry insertion failed due to bins_full
2	DUPLICATE_KEY	Denotes the status of the inserted duplicate key.
		1   Duplicate key inserted using the insert command
		2   Inserted key is not duplicate
1	DATA_FOUND	This bit is checked when the COMMAND_STATUS or REQ_DONE bit is set to 1.
		0   Data not found during lookup or deletion
		1   Data found during lookup or deletion
0	COMMAND_STATUS	This bit holds the equivalency of a CPU issued request

### 8.7.20 Ingress DWO Information (IG\_INFO\_DWO)

Address: 0x18081008

Access: Read/Write

Reset: 0xFFFFFFFF

This register holds 32 bits of Ingress information.

Bit	Bit Name	Description
31:0	DWORD	24 bits of Ingress information which will be inserted into the LUT along with the key DWORD0 from the LSB

### 8.7.21 Ingress DW1 Information (IG\_INFO\_DW1)

Address: 0x1808100C

Access: Read/Write

Reset: 0xFFFFFFFF

This register holds 32 bits of Ingress information.

Bit	Bit Name	Description
31:0	DWORD	24 bits of Ingress information which will be inserted into the LUT along with the key DWORD1 from the LSB

**8.7.22 Ingress DW2 Information (IG\_INFO\_DW2)**

Address: 0x18081010

Access: Read/Write

Reset: 0xFFFFFFFF

This register holds 32 bits of Ingress information.

Bit	Bit Name	Description
31:0	DWORD	24 bits of Ingress information which will be inserted into the LUT along with the key DWORD2 from the LSB

**8.7.23 Ingress DW3 Information (IG\_INFO\_DW3)**

Address: 0x18081014

Access: Read/Write

Reset: 0xFFFFFFFF

This register holds 32 bits of Ingress information.

Bit	Bit Name	Description
31:0	DWORD	24 bits of Ingress information which will be inserted into the LUT along with the key DWORD3 from the LSB

**8.7.24 Ingress CPU Related DWO Information (IG\_CPU\_REQUESTED\_INFO\_DW0)**

Address: 0x18081018

Access: Read/Write

Reset: 0xFFFFFFFF

This register holds 32 bits of Ingress information found during deletion or lookup operations.

Bit	Bit Name	Description
31:0	DWORD	32 bits of Ingress information found during deletion or lookup of the operation DWORD0 from the LSB

**8.7.25 Ingress CPU Related DW1 Information (IG\_CPU\_REQUESTED\_INFO\_DW1)**

Address: 0x1808101C

Access: Read/Write

Reset: 0xFFFFFFFF

This register holds 32 bits of Ingress information found during deletion or lookup operations.

Bit	Bit Name	Description
31:0	DWORD	32 bits of Ingress information found during deletion or lookup of the operation DWORD1 from the LSB

**8.7.26 Ingress CPU Related DW2 Information (IG\_CPU\_REQUESTED\_INFO\_DW2)**

Address: 0x18081020

Access: Read/Write

Reset: 0xFFFFFFFF

This register holds 32 bits of Ingress information found during deletion or lookup operations.

Bit	Bit Name	Description
31:0	DWORD	32 bits of Ingress information found during deletion or lookup of the operation DWORD2 from the LSB

**8.7.27 Ingress CPU Related DW3 Information (IG\_CPU\_REQUESTED\_INFO\_DW3)**

Address: 0x18081024

Access: Read/Write

Reset: 0xFFFFFFFF

This register holds 32 bits of Ingress information found during deletion or lookup operations.

Bit	Bit Name	Description
31:0	DWORD	32 bits of Ingress information found during deletion or lookup of the operation DWORD3 from the LSB

**8.7.28 Ingress DWO Key (IG\_KEY\_DWO)**

Address: 0x18081028

Access: Read/Write

Reset: 0x0

This register holds LSB bits of the Ingress Key.

Bit	Bit Name	Description
31:20	RES	Reserved. Must be written with zero. Contains zeros when read.
19:0	DWORD	20 LSB bits of the Ingress key

**8.7.29 Ingress Ageout DWO Key (IG\_AGER\_KEY\_DWO)**

Address: 0x1808102C

Access: Read/Write

Reset: 0x0

This register holds LSB bits of the Ingress Key.

Bit	Bit Name	Description
31:20	RES	Reserved. Must be written with zero. Contains zeros when read.
19:0	DWORD	20 LSB bits of the Ingress key deleted during the ageout process

**8.7.30 Ingress Ager FIFO Signals (IG\_AGER\_INFO)**

Address: 0x18081030

Access: Read/Write

Reset: See field description

This register denotes the statuses for the Ager FIFO signals.

Bit	Bit Name	Reset	Description
31:3	RES	0x0	Reserved. Must be written with zero. Contains zeros when read.
2	DISABLE	0x0	Denotes the status of the ager
			0   Ager is active
			1   Ager is inactive
1	EMPTY	0x1	Denotes is the ager FIFO is empty or not
			0   Ager FIFO is not empty
			1   Ager FIFO is empty
0	READ	0x0	A rising transition of this signal removes the key from the ager FIFO. This bit can only be read when the previous EMPTY bit is 0.

**8.7.31 Ingress Memory (IG\_MEM)**

Address: 0x18081034

Access: Read/Write

Reset: 0x0

This register is used to configure the settings for a memory read or write.

Bit	Bit Name	Description	
31:12	RES	Reserved. Must be written with zero. Contains zeros when read.	
11	ACK	Acknowledgement for a read/write	
10:9	RW	Set to read or write to the memory	
		0	Read
		1	Write
8:0	ADDR	Denotes the address of the MAIN_MEMORY for a read/write request	

**8.7.32 Ingress Memory DWO (IG\_MEM\_DWO)**

Address: 0x18081038

Access: Read/Write

Reset: 0x0

This register is used to read or write to the main memory.

Bit	Bit Name	Description
31:0	DWORD	Read/Write the DWORD0 data to the main memory for a read/write request from the LSB

**8.7.33 Ingress Memory DW1 (IG\_MEM\_DW1)**

Address: 0x1808103C

Access: Read/Write

Reset: 0x0

This register is used to read or write to the main memory.

Bit	Bit Name	Description
31:0	DWORD	Read/Write the DWORD1 data to the main memory for a read or write request from the LSB

**8.7.34 Ingress Memory DW2 (IG\_MEM\_DW2)**

Address: 0x18081040

Access: Read/Write

Reset: 0x0

This register is used to read or write to the main memory.

Bit	Bit Name	Description
31:0	DWORD	Read/Write the DWORD2 data to the main memory for a read or write request

**8.7.35 Ingress Memory DW3 (IG\_MEM\_DW3)**

Address: 0x18081044

Access: Read/Write

Reset: 0x0

This register is used to read or write to the main memory.

Bit	Bit Name	Description
31:0	DWORD	Read/Write the DWORD3 data to the main memory for a read or write request

### 8.7.36 Ingress Link List (IG\_LINKLIST)

Address: 0x18081048

Access: Read/Write

Reset: 0x0

This register is used to read or write to the link list.

Bit	Bit Name	Description	
31:15	RES	Reserved. Must be written with zero. Contains zeros when read.	
14:8	DATA	The Read/Write data of the linklist	
7	RW	Linklist Read/Write request	
		0	Read
		1	Write
6:0	ADDR	The linklist address	

### 8.7.37 Ingress Sub-Table Data (IG\_SUBTABLE)

Address: 0x1808104C

Access: Read/Write

Reset: 0x0

This register is used to read or write to the sub-table.

Bit	Bit Name	Description
31:14	RES	Reserved. Must be written with zero. Contains zeros when read.
13:8	DATA	Holds the Read/Write data related to the subtable
7:6	RES	Reserved. Must be written with zero. Contains zeros when read.
5	RW	A Read/Write request for the subtable
4:0	ADDR	The address of the subtable Read/Write address

### 8.7.38 Ingress Timer Ager Values (IG\_AGER\_TICK)

Address: 0x18081050

Access: Read/Write

Reset: See field description

This register denotes the ager timer related values.

Bit	Bit Name	Reset	Description
31:24	RES	0x0	Reserved. Must be written with zero. Contains zeros when read.
23:0	TIME	0x100000	A nano-second timer which allows MSECTIMER increment by one when the free running counter reaches the end of the timer value

### 8.7.39 Ingress Ager Timeout (IG\_AGER\_TIMEOUT)

Address: 0x18081054

Access: Read/Write

Reset: 0x20

This register denotes the ager timeout value.

Bit	Bit Name	Description
31:22	ICMP_VALUE	The ICMP timeout value which depends on the TIME bit in <a href="#">“Ingress Timer Ager Values (IG_AGER_TICK)”</a> on page 167
21:12	UDP_VALUE	The UDP timeout value which depends on the TIME bit in <a href="#">“Ingress Timer Ager Values (IG_AGER_TICK)”</a> on page 167
11:0	TCP_VALUE	TCP timeout value which depends on the TIME bit in <a href="#">“Ingress Timer Ager Values (IG_AGER_TICK)”</a> on page 167

**8.7.40 Tx QoS Arbiter Configuration (TxQOS\_ARB\_CFG)**

Address: 0x180811D8

Access: Read/Write

Reset: See field description

This register is used to set the arbitration for QoS Weighted Round-Robin (WRR) queues.

Note that Wgt0/1/2/3 should not be 0 if WRR is selected.

Bit	Bit Name	Reset	Description	
31:26	WGT3	0x1	Weight for queue 3, if WRR is selected	
25:20	WGT2	0x2	Weight for queue 2, if WRR is selected	
19:14	WGT1	0x4	Weight for queue 1, if WRR is selected	
13:8	WGT0	0x8	Weight for queue 0, if WRR is selected	
7:1	RES	0x0	Reserved. Must be written with zero. Contains zeros when read.	
0	RRMODE	0x0	Used to select the QoS priority mode	
			0	Weighted round-robin (WRR)
			1	Simple priority (queue 0 is the highest)

**8.7.41 Tx Status and Packet Count (DMATXSTATUS)**

Address: 0x180811E4

Access: Read/Write

Reset: 0x0

This register is the Tx Status packet count register for QoS queues 1 to 3.

Bit	Bit Name	Description
31:24	RES	Reserved. Must be written with zero. Contains zeros when read.
23:16	TXPKTCOUNT_CH3	8-bit transmit packet counter that is incremented whenever the built-in DMA controller successfully transfers a packet for Queue 3, and decremented whenever the host writes a 1 to bit TXPKTSENT_CH3 in the DMATxStatus register. (Default = 0)
15:8	TXPKTCOUNT_CH2	8-bit transmit packet counter that is incremented whenever the built-in DMA controller successfully transfers a packet for Queue 2, and decremented whenever the host writes a 1 to bit TXPKTSENT_CH2 in the DMATxStatus register. (Default = 0)
7:0	TXPKTCOUNT_CH1	8-bit transmit packet counter that is incremented whenever the built-in DMA controller successfully transfers a packet for Queue 1, and decremented whenever the host writes a 1 to bit TXPKTSENT_CH1 in the DMA Tx Status register. (Default = 0)

**8.7.42 Local MAC Address Dword0 (LCL\_MAC\_ADDR\_DW0)**

Address: 0x18081200

Access: Read/Write

Reset: 0x0

This register contains bits for the Dword0 of the local MAC address. This register is available only for GE0 MAC.

Bit	Bit Name	Description
31:0	LOCAL_MAC_ADDR_DW0	Bits [31:0] of the local L2 MAC address



**8.7.43 Local MAC Address Dword1 (LCL\_MAC\_ADDR\_DW1)**

Address: 0x18081204

Access: Read/Write

Reset: 0x0

This register contains bits for the Dword0 of the local MAC address. This register is available only for GE0 MAC.

Bit	Bit Name	Description
31:16	RES	Reserved. Must be written with zero. Contains zeros when read.
15:0	LOCAL_MAC_ADDR_DW0	Bits [47:32] of the local L2 MAC address

**8.7.44 Next Hop Router's MAC Address Dword0 (NXT\_HOP\_DST\_ADDR\_DW0)**

Address: 0x18081208

Access: Read/Write

Reset: 0x0

This register contains bits of the next hop router's MAC address Dword0, and is only available for GE0 MAC.

Bit	Bit Name	Description
31:0	LOCAL_MAC_DST_ADDR_DW0	Bits [31:0] of the next hop router's L2 MAC address

**8.7.45 Next Hop Router's MAC Address Dword1 (NXT\_HOP\_DST\_ADDR\_DW1)**

Address: 0x1808120C

Access: Read/Write

Reset: 0x0

This register contains bits of the next hop router's MAC address Dword1, and is only available for GE0 MAC.

Bit	Bit Name	Description
31:0	LOCAL_MAC_DST_ADDR_DW1	Bits [47:32] of the next hop router's L2 MAC address

**8.7.46 Local Global IP Address 0 (GLOBAL\_IP\_ADDR0)**

Address: 0x18081210

Access: Read/Write

Reset: 0x0

This register contains the local global IP address and is only available for GE0 MAC.

Bit	Bit Name	Description
31:0	LOCAL_GLOBAL_IP_ADDR0	Local IP address index 0. Up to 4 global IP addresses are supported for this interface

**8.7.47 Local Global IP Address 1 (GLOBAL\_IP\_ADDR1)**

Address: 0x18081214

Access: Read/Write

Reset: 0x0

This register contains the local global IP address and is only available for GE0 MAC.

Bit	Bit Name	Description
31:0	LOCAL_GLOBAL_IP_ADDR1	Local IP address index 1. Up to 4 global IP addresses are supported for this interface

**8.7.48 Local Global IP Address 2 (GLOBAL\_IP\_ADDR2)**

Address: 0x18081218

Access: Read/Write

Reset: 0x0

This register contains the local global IP address and is only available for GE0 MAC.

Bit	Bit Name	Description
31:0	LOCAL_GLOBAL_IP_ADDR2	Local IP address index 2. Up to 4 global IP addresses are supported for this interface

**8.7.49 Local Global IP Address 3 (GLOBAL\_IP\_ADDR3)**

Address: 0x1808121C

Access: Read/Write

Reset: 0x0

This register contains the local global IP address and is only available for GE0 MAC.

Bit	Bit Name	Description
31:0	LOCAL_GLOBAL_IP_ADDR3	Local IP address index 3. Up to 4 global IP addresses are supported for this interface

**8.7.50 Egress NAT Control and Status (EG\_NAT\_CSR)**

Address: 0x18081228

Access: Read/Write

Reset: See field description

This register configures NAT editing of egress packets.

Bit	Bit Name	Reset	Description	
31:7	RES	0x0	Reserved. Must be written with zero. Contains zeros when read.	
6	EG_NAT_FRAG_EDIT_DISABLE	0x0	Disables NAT editing of the Egress fragmented packet	
5:2	EG_FIELD_EDIT_MASK	0x0	Setting the fill bits disables the editing of each of the fields of the egress packet	
			Bit[0]	Disables NAT editing of the L2 destination address field of the packet
			Bit[1]	Disables NAT editing of the L2 source address field of the packet
			Bit[2]	Disables NAT editing of the IP source address field of the packet
	Bit[3]	Disables NAT editing of the L4 source port field in the packet		
1	EG_LOOKUP_DATA_SWAP	0x0	Enables byte swapping of the data given by the lookup table, before editing the egress packet	
0	EG_ANT_DISABLE	0x1	Disables the egress NAT engine. Packets that are Tx DMA-ed are transmitted without going through the NAT Engine.	

**8.7.51 Egress NAT Counter (EG\_NAT\_CNTR)**

Address: 0x1808122C

Access: Read-Only

Reset: 0x0

This register counts NAT egress packets.

Bit	Bit Name	Description
31:16	EG_NAT_ERR_COUNTER	Counter indicating the number of packets that were not NAT edited on egress.
15:0	EG_NAT_DONE_COUNTER	Counter indicating the number of packets that were successfully NAT edited on egress.

**8.7.52 Ingress NAT Control and Status (IG\_NAT\_CSR)**

Address: 0x18081230

Access: Read/Write

Reset: See field description

This register is used to control and read the status of ingress packets and is only available for GE0 MAC.

Bit	Bit Name	Reset	Description								
31:14	RES	0x0	Reserved. Must be written with zero. Contains zeros when read.								
13	IG_NAT_GLBL_ICMP_REQ_DRP_EN	0x0	When set to 1, ICMP Packets that are REQUEST are dropped. Effective only if bit [8] of this register is set to 1.								
12	IG_NAT_GLBL_ICMP_RPLY_DRP_EN	0x0	When set to 1, ICMP Packets that are neither REQUEST, nor REPLY are dropped. Effective only if bit [8] of this register is set to 1.								
11	IG_NAT_GLBL_TCP_ACK_DRP_EN	0x0	When set to 1, TCP Packets received that fail NAT and have both the SYN and ACK flags set to 1 are dropped. Effective only if bit [8] of this register is set to 1.								
10	IG_NAT_GLBL_TCP_SYN_DRP_EN	0x0	When set to 1, TCP packets received that fail NAT and have the 'SYN' flag set to 1 are dropped. Effective only if bit [8] of this register is set to 1.								
9	IGNAT_GLBL_L2_DROP_EN	0x0	When set to 1, Packets that do not match the L2 LOCAL_MAC_ADDR programmed in the registers 0x200 and 0x204 are dropped. Effective only if bit [8] of this register is set to 1.								
8	IG_NAT_GLBL_RULE_EN	0x0	Enables the basic firewall to drop packets for certain global rules based on bits [13:9] of this register								
7	IG_NAT_FRAG_EDIT_DISABLE	0x0	Disables NAT editing of the ingress fragmented packet								
6	IG_L4CKSUM_EN	0x0	Enables L4 checksum of the ingress fragmented packet								
5:2	IG_FIELD_EDIT_MASK	0x0	Setting the bits disables the edit of each of the fields in the ingress packet <table border="1" data-bbox="657 1430 1429 1591"> <tr> <td>Bit[0]</td> <td>Disables NAT editing of L2 DA field in the packet</td> </tr> <tr> <td>Bit[1]</td> <td>Disables NAT editing of L2 SA field in the packet</td> </tr> <tr> <td>Bit[2]</td> <td>Disables NAT editing of IP DA field in the packet</td> </tr> <tr> <td>Bit[3]</td> <td>Disables NAT editing of L4 destination port field in the packet</td> </tr> </table>	Bit[0]	Disables NAT editing of L2 DA field in the packet	Bit[1]	Disables NAT editing of L2 SA field in the packet	Bit[2]	Disables NAT editing of IP DA field in the packet	Bit[3]	Disables NAT editing of L4 destination port field in the packet
Bit[0]	Disables NAT editing of L2 DA field in the packet										
Bit[1]	Disables NAT editing of L2 SA field in the packet										
Bit[2]	Disables NAT editing of IP DA field in the packet										
Bit[3]	Disables NAT editing of L4 destination port field in the packet										
1	IG_LOOKUP_DATA_SWAP	0x0	Enables byte swapping of the data given by the lookup table, before editing the ingress packet								
0	IG_ANT_DISABLE	0x1	Packets that are received are DMAed without going through the NAT engine								

**8.7.53 Ingress NAT Counter (IG\_NAT\_CNTR)**

Address: 0x18081234

Access: Read-Only

Reset: 0x0

This register counts the number of NAT ingress packets.

Bit	Bit Name	Description
31:16	IG_NAT_ERR_COUNTER	Counter indicating the number of packets that were not NAT edited on ingress
15:0	IG_NAT_DONE_COUNTER	Counter indicating the number of packets successfully NAT edited on ingress

#### 8.7.54 Egress ACL Control and Status (EG\_ACL\_CSR)

Address: 0x18081238

Access: Read/Write

Reset: See field description

This register is used to disable the functionality of the egress ACL.

Bit	Bit Name	Reset	Description
31:1	RES	0x0	Reserved. Must be written with zero. Contains zeros when read.
0	EG_ACL_DISABLE	0x1	Disables the egress ACL functionality. The default is 1

#### 8.7.55 Ingress ACL Control and Status (IG\_ACL\_CSR)

Address: 0x1808123C

Access: Read/Write

Reset: See field description

This register is used to disable the ingress ACL4 functionality.

Bit	Bit Name	Reset	Description
31:1	RES	0x0	Reserved. Must be written with zero. Contains zeros when read.
0	IG_ACL_DISABLE	0x1	Disables the ingress ACL functionality. Default is 1.

**8.7.56 Egress ACL CMD0 and Action (EG\_ACL\_CMD0\_AND\_ACTION)**

Address: 0x18081240

Access: Read/Write

Reset: 0x0

This register is used for programming the ACL table. Refer to the ACL section regarding the various fields of entry in the ACL table and their significance.

Bit	Bit Name	Description
31:21	RES	Reserved. Must be written with zero. Contains zeros when read.
20:16	EG_ACL_CMD0	The CMD0 field in the entry in the ACL table
15:14	RES	Reserved. Must be written with zero. Contains zeros when read.
13:8	EG_ACL_NEP	ACL Next Entry Pointer: Points to the Next Entry in the ACL Table to which this entry is linked. Valid only if EG_ACL_LINKED is set to 1.
7:4	RES	Reserved. Must be written with zero. Contains zeros when read.
3	EG_ACL_ALLOW	When set, this entry in the ACL table, the action associated with this entry/rule is to allow the packet
2	EG_ACL_REJECT	Egress ACL reject: When set this entry in the ACL table, the action associated with this entry/rule is to reject the packet.
1	EG_ACL_LINKED	When set this entry in the ACL table is Linked to another entry in the table
0	EG_ACL_RULE_HD	When set this entry in the ACL table is considered the head of the rule.

**8.7.57 Egress ACL CMD1, CMD2, CMD3, CMD4 (EG\_ACL\_CMD1234)**

Address: 0x18081244

Access: Read/Write

Reset: 0x0

This register is used for programming the ACL table.

Bit	Bit Name	Description
31:29	RES	Reserved. Must be written with zero. Contains zeros when read.
28:24	EG_ACL_CMD4	The CMD4 field of the entry in the ACL table
23:21	RES	Reserved. Must be written with zero. Contains zeros when read.
20:16	EG_ACL_CMD3	The CMD3 field of the entry in the ACL table
15:13	RES	Reserved. Must be written with zero. Contains zeros when read.
12:8	EG_ACL_CMD2	The CMD2 field of the entry in the ACL table
7:5	RES	Reserved. Must be written with zero. Contains zeros when read.
4:0	EG_ACL_CMD1	The CMD1 field of the entry in the ACL table

**8.7.58 Egress ACL OPERANDO (EG\_ACL\_OPERANDO)**

Address: 0x18081248

Access: Read/Write

Reset: 0x0

This register is used for programming the ACL table.

Bit	Bit Name	Description
31:0	EG_ACL_OPERANDO	The lower order [31:0] bits of the operand field of the entry in the ACL table

**8.7.59 Egress ACL OPERAND1 (EG\_ACL\_OPERAND1)**

Address: 0x1808124C

Access: Read/Write

Reset: 0x0

This register is used for programming the ACL table.

Bit	Bit Name	Description
31:0	EG_ACL_OPERAND1	The higher order [63:32] bits of the operand field of the entry in the ACL table

**8.7.60 Egress ACL Memory Control (EG\_ACL\_MEM\_CONTROL)**

Address: 0x18081250

Access: Read/Write

Reset: 0x0

This register is used to control the ACL table operations.

Bit	Bit Name	Description
31:15	RES	Reserved. Must be written with zero. Contains zeros when read.
14	EG_ACL_INIT	When set to 1, the ACL table gets initialized to all 0s. Software should always initialize the ACL table before loading entries into the ACL Table. This bit clears itself once the initial is action is done.
13	EG_ACL_GLOBAL_RULE_VALID	Egress ACL global rule valid
		0   Only individual rules determine the allow/drop of the packets 1   Bit [12] of this register is valid
12	EG_ACL_GLOBAL_DROP	Egress ACL global drop
		0   The global rule indicates whether to allow the packet, and individual rules drop the packets 1   The global rule is to drop the packets, and individual rules indicate whether to allow the packet
11	EG_ACL_RULE_MAP_DONE	After the last entry is loaded, when hardware sets this bit to 1, it indicates that the rule mapping is done. Only when hardware sets this bit to 1, the ACL_DISABLE bit in the "Egress ACL Control and Status (EG_ACL_CSR)" register will be set to 0 (ACL will be enabled).
10	EG_ACL_LAST_ENTRY	Indicates if this is the last entry to be written to the ACL table.
9	EG_ACL_ACK_REG	When software reads this bit as '1' indicates that the write or read operation to the ACL table is done.
8	EG_ACL_TABLE_WR	When software sets this bit to 1 during a write to this register, the entry as pointed by the entry address is written to the ACL table with the fields taken from the earlier registers such as commands, operands, etc. When set to 0 during a write to this register, a read from the ACL table is initiated to the entry pointed by the entry address and the entry fields are available in the above registers after the ACK bit is set to 1. For write operations, software makes sure all these registers and the fields of this register are correctly written.
7:6	RES	Reserved. Must be written with zero. Contains zeros when read.
5:0	EG_ACL_ENTRY_ADDR	The entry address where this current entry is to be loaded in the ACL table.

**8.7.61 Ingress ACL CMD0 and Action (IG\_ACL\_CMD0\_AND\_ACTION)**

Address: 0x18081254

Access: Read/Write

Reset: 0x0

This register is used for programming the ACL table.

Bit	Bit Name	Description
31:21	RES	Reserved. Must be written with zero. Contains zeros when read.
20:16	IG_ACL_CMD0	The CMD0 field of the entry in ACL table.
15:14	RES	Reserved. Must be written with zero. Contains zeros when read.
13:8	IG_ACL_NEP	Points to the next entry in the ACL table to which this entry is linked. Valid only if IG_ACL_LINKED is set to 1.
7:4	RES	Reserved. Must be written with zero. Contains zeros when read.
3	IG_ACL_ALLOW	When set, the action associated with this entry/rule in the ACL table is to allow the packet
2	IG_ACL_REJECT	When set, the action associated with this entry/rule in the ACL table is to reject the packet
1	IG_ACL_LINKED	When set, this entry in the ACL table is linked to another entry in the table
0	IG_ACL_RULE_HD	When set, this entry in the ACL table is considered the head of the rule

**8.7.62 Ingress ACL CMD1, CMD2, CMD3, CMD4 (IG\_ACL\_CMD1234)**

Address: 0x18081258

Access: Read/Write

Reset: 0x0

This register is used for programming the Ingress ACL rule in the ACL table.

Bit	Bit Name	Description
31:29	RES	Reserved. Must be written with zero. Contains zeros when read.
28:24	IG_ACL_CMD4	The CMD4 field of the entry in the ACL table
23:21	RES	Reserved. Must be written with zero. Contains zeros when read.
20:16	IG_ACL_CMD3	The CMD3 field of the entry in the ACL table
15:13	RES	Reserved. Must be written with zero. Contains zeros when read.
12:8	IG_ACL_CMD2	The CMD2 field of the entry in the ACL table
7:5	RES	Reserved. Must be written with zero. Contains zeros when read.
4:0	IG_ACL_CMD1	The CMD1 field of the entry in the ACL table

**8.7.63 Ingress ACL OPERANDO (IG\_ACL\_OPERANDO)**

Address: 0x1808125C

Access: Read/Write

Reset: 0x0

This register is used for programming the Ingress rule for the ACL table.

Bit	Bit Name	Description
31:0	IG_ACL_OPERANDO	The lower order [31:0] bits of the operand field of the entry in the ACL table

**8.7.64 Egress ACL OPERAND1 (EG\_ACL\_OPERAND1)**

Address: 0x18081260

Access: Read/Write

Reset: 0x0

This register is used for programming the Ingress rule for the ACL table.

Bit	Bit Name	Description
31:0	IG_ACL_OPERAND1	The higher order [63:32] bits of the operand field of the entry in the ACL table

**8.7.65 Ingress ACL Memory Control (IG\_ACL\_MEM\_CONTROL)**

Address: 0x18081264

Access: Read/Write

Reset: 0x0

This register controls the ACL table operations.

Bit	Bit Name	Description
31:15	RES	Reserved. Must be written with zero. Contains zeros when read.
14	IG_ACL_INIT	When set to '1', the ACL table gets initialized to all 0's. Software should always initialize the ACL table before loading entries into the ACL Table. This bit clears itself once the initialization is done.
13	IG_ACL_GLOBAL_RULE_VALID	When set to '1', the Global Drop Bit[12] is valid. When set to '0', only individual rules determine allowing or dropping of packets
12	IG_ACL_GLOBAL_DROP	When set to '1', the global rule is to drop the packets and individual rules indicating whether to allow the packet or not. When set to '0', it is vice-versa.
11	IG_ACL_RULE_MAP_DONE	After the last entry is loaded, when HW sets this bit to '1', indicates that the rule mapping is done. Only when HW sets this bit to '1', the 'ACL_DISABLE' bit in the EG_ACL_CSR register will be set to '0' (ACL will be enabled).
10	IG_ACL_LAST_ENTRY	Indicates if this is the last entry to be written to the ACL table.
9	IG_ACL_ACK_REG	When software reads this bit as '1' indicates that the write or read operation to the ACL table is done.
8	IG_ACL_TABLE_W R	When software sets this bit to '1' during a write to this register, the entry as pointed by the entry address is written to the ACL table with the fields taken from the earlier registers such as commands, operands, etc. When set to '0' during a write to this register, a read from the ACL table is initiated to the entry pointed by the entry address and the entry fields are available in the above registers after the ACK bit is set to '1'. For write operations, software makes sure all the above registers and the fields of this register are correctly written.
7:6	RES	Reserved. Must be written with zero. Contains zeros when read.
5:0	IG_ACL_ENTRY_A DDR	The entry address where this current entry is to be loaded in the ACL table.



**8.7.66 Ingress ACL Counter Group 0 (IG\_ACL\_COUNTER\_GRP0)**

Address: 0x18081268

Access: Read-Only

Reset: 0x0

This register is used to count the packets that hit a certain ACL rule.

Bit	Bit Name	Description
31:24	COUNT_IG_RULE3	Counter indicating the number of ingress packets that hit rule 3
23:16	COUNT_IG_RULE2	Counter indicating the number of ingress packets that hit rule 2
15:8	COUNT_IG_RULE1	Counter indicating the number of ingress packets that hit rule 1
7:0	COUNT_IG_RULE0	Counter indicating the number of ingress packets that hit rule 0

**8.7.67 Ingress ACL Counter Group 1 (IG\_ACL\_COUNTER\_GRP1)**

Address: 0x1808126C

Access: Read-Only

Reset: 0x0

This register is used to count the packets that hit a certain ACL rule.

Bit	Bit Name	Description
31:24	COUNT_IG_RULE7	Counter indicating the number of ingress packets that hit rule 7
23:16	COUNT_IG_RULE6	Counter indicating the number of ingress packets that hit rule 6
15:8	COUNT_IG_RULE5	Counter indicating the number of ingress packets that hit rule 5
7:0	COUNT_IG_RULE4	Counter indicating the number of ingress packets that hit rule 4

**8.7.68 Ingress ACL Counter Group 2 (IG\_ACL\_COUNTER\_GRP2)**

Address: 0x18081270

Access: Read-Only

Reset: 0x0

This register is used to count the packets that hit a certain ACL rule.

Bit	Bit Name	Description
31:24	COUNT_IG_RULE8	Counter indicating the number of ingress packets that hit rule 8
23:16	COUNT_IG_RULE9	Counter indicating the number of ingress packets that hit rule 9
15:8	COUNT_IG_RULE10	Counter indicating the number of ingress packets that hit rule 10
7:0	COUNT_IG_RULE11	Counter indicating the number of ingress packets that hit rule 11

**8.7.69 Ingress ACL Counter Group 3 (IG\_ACL\_COUNTER\_GRP3)**

Address: 0x18081274

Access: Read-Only

Reset: 0x0

This register is used to count the packets that hit a certain ACL rule.

Bit	Bit Name	Description
31:24	COUNT_IG_RULE15	Counter indicating the number of ingress packets that hit rule 15
23:16	COUNT_IG_RULE14	Counter indicating the number of ingress packets that hit rule 14
15:8	COUNT_IG_RULE13	Counter indicating the number of ingress packets that hit rule 13
7:0	COUNT_IG_RULE12	Counter indicating the number of ingress packets that hit rule 12

**8.7.70 Ingress ACL Counter Group 4 (IG\_ACL\_COUNTER\_GRP4)**

Address: 0x18081278

Access: Read-Only

Reset: 0x0

This register is used to count the packets that hit a certain ACL rule.

Bit	Bit Name	Description
31:24	COUNT_IG_RULE19	Counter indicating the number of ingress packets that hit rule 19
23:16	COUNT_IG_RULE18	Counter indicating the number of ingress packets that hit rule 18
15:8	COUNT_IG_RULE17	Counter indicating the number of ingress packets that hit rule 17
7:0	COUNT_IG_RULE16	Counter indicating the number of ingress packets that hit rule 16

**8.7.71 Ingress ACL Counter Group 5 (IG\_ACL\_COUNTER\_GRP5)**

Address: 0x1808127C

Access: Read-Only

Reset: 0x0

This register is used to count the packets that hit a certain ACL rule.

Bit	Bit Name	Description
31:24	COUNT_IG_RULE23	Counter indicating the number of ingress packets that hit rule 23
23:16	COUNT_IG_RULE22	Counter indicating the number of ingress packets that hit rule 22
15:8	COUNT_IG_RULE21	Counter indicating the number of ingress packets that hit rule 21
7:0	COUNT_IG_RULE20	Counter indicating the number of ingress packets that hit rule 20

**8.7.72 Ingress ACL Counter Group 6 (IG\_ACL\_COUNTER\_GRP6)**

Address: 0x18081280

Access: Read-Only

Reset: 0x0

This register is used to count the packets that hit a certain ACL rule.

Bit	Bit Name	Description
31:24	COUNT_IG_RULE27	Counter indicating the number of ingress packets that hit rule 27
23:16	COUNT_IG_RULE26	Counter indicating the number of ingress packets that hit rule 26
15:8	COUNT_IG_RULE25	Counter indicating the number of ingress packets that hit rule 25
7:0	COUNT_IG_RULE24	Counter indicating the number of ingress packets that hit rule 24

**8.7.73 Ingress ACL Counter Group 7 (IG\_ACL\_COUNTER\_GRP7)**

Address: 0x18081284

Access: Read-Only

Reset: 0x0

This register is used to count the packets that hit a certain ACL rule.

Bit	Bit Name	Description
31:24	COUNT_IG_RULE31	Counter indicating the number of ingress packets that hit rule 31
23:16	COUNT_IG_RULE30	Counter indicating the number of ingress packets that hit rule 30
15:8	COUNT_IG_RULE29	Counter indicating the number of ingress packets that hit rule 29
7:0	COUNT_IG_RULE28	Counter indicating the number of ingress packets that hit rule 28

**8.7.74 Ingress ACL Counter Group 8 (IG\_ACL\_COUNTER\_GRP8)**

Address: 0x18081288

Access: Read-Only

Reset: 0x0

This register is used to count the packets that hit a certain ACL rule.

Bit	Bit Name	Description
31:24	COUNT_IG_RULE35	Counter indicating the number of ingress packets that hit rule 35
23:16	COUNT_IG_RULE34	Counter indicating the number of ingress packets that hit rule 34
15:8	COUNT_IG_RULE33	Counter indicating the number of ingress packets that hit rule 33
7:0	COUNT_IG_RULE32	Counter indicating the number of ingress packets that hit rule 32

**8.7.75 Ingress ACL Counter Group 9 (IG\_ACL\_COUNTER\_GRP9)**

Address: 0x1808128C

Access: Read-Only

Reset: 0x0

This register is used to count the packets that hit a certain ACL rule.

Bit	Bit Name	Description
31:24	COUNT_IG_RULE39	Counter indicating the number of ingress packets that hit rule 39
23:16	COUNT_IG_RULE38	Counter indicating the number of ingress packets that hit rule 38
15:8	COUNT_IG_RULE37	Counter indicating the number of ingress packets that hit rule 37
7:0	COUNT_IG_RULE36	Counter indicating the number of ingress packets that hit rule 36

**8.7.76 Ingress ACL Counter Group 10 (IG\_ACL\_COUNTER\_GRP10)**

Address: 0x18081290

Access: Read-Only

Reset: 0x0

This register is used to count the packets that hit a certain ACL rule.

Bit	Bit Name	Description
31:24	COUNT_IG_RULE43	Counter indicating the number of ingress packets that hit rule 43
23:16	COUNT_IG_RULE42	Counter indicating the number of ingress packets that hit rule 42
15:8	COUNT_IG_RULE41	Counter indicating the number of ingress packets that hit rule 41
7:0	COUNT_IG_RULE40	Counter indicating the number of ingress packets that hit rule 40

**8.7.77 Ingress ACL Counter Group 11 (IG\_ACL\_COUNTER\_GRP11)**

Address: 0x18081294

Access: Read-Only

Reset: 0x0

This register is used to count the packets that hit a certain ACL rule.

Bit	Bit Name	Description
31:24	COUNT_IG_RULE47	Counter indicating the number of ingress packets that hit rule 47
23:16	COUNT_IG_RULE46	Counter indicating the number of ingress packets that hit rule 46
15:8	COUNT_IG_RULE45	Counter indicating the number of ingress packets that hit rule 45
7:0	COUNT_IG_RULE44	Counter indicating the number of ingress packets that hit rule 44

**8.7.78 Ingress ACL Counter Group 12 (IG\_ACL\_COUNTER\_GRP12)**

Address: 0x18081298

Access: Read-Only

Reset: 0x0

This register is used to count the packets that hit a certain ACL rule.

Bit	Bit Name	Description
31:24	COUNT_IG_RULE51	Counter indicating the number of ingress packets that hit rule 51
23:16	COUNT_IG_RULE50	Counter indicating the number of ingress packets that hit rule 50
15:8	COUNT_IG_RULE49	Counter indicating the number of ingress packets that hit rule 49
7:0	COUNT_IG_RULE48	Counter indicating the number of ingress packets that hit rule 48

**8.7.79 Ingress ACL Counter Group 13 (IG\_ACL\_COUNTER\_GRP13)**

Address: 0x1808129C

Access: Read-Only

Reset: 0x0

This register is used to count the packets that hit a certain ACL rule.

Bit	Bit Name	Description
31:24	COUNT_IG_RULE55	Counter indicating the number of ingress packets that hit rule 55
23:16	COUNT_IG_RULE54	Counter indicating the number of ingress packets that hit rule 54
15:8	COUNT_IG_RULE53	Counter indicating the number of ingress packets that hit rule 53
7:0	COUNT_IG_RULE52	Counter indicating the number of ingress packets that hit rule 52

**8.7.80 Ingress ACL Counter Group 14 (IG\_ACL\_COUNTER\_GRP14)**

Address: 0x180812A0

Access: Read-Only

Reset: 0x0

This register is used to count the packets that hit a certain ACL rule.

Bit	Bit Name	Description
31:24	COUNT_IG_RULE59	Counter indicating the number of ingress packets that hit rule 59
23:16	COUNT_IG_RULE58	Counter indicating the number of ingress packets that hit rule 58
15:8	COUNT_IG_RULE57	Counter indicating the number of ingress packets that hit rule 57
7:0	COUNT_IG_RULE56	Counter indicating the number of ingress packets that hit rule 56

**8.7.81 Ingress ACL Counter Group 15 (IG\_ACL\_COUNTER\_GRP15)**

Address: 0x180812A4

Access: Read-Only

Reset: 0x0

This register is used to count the packets that hit a certain ACL rule.

Bit	Bit Name	Description
31:24	COUNT_IG_RULE63	Counter indicating the number of ingress packets that hit rule 63
23:16	COUNT_IG_RULE62	Counter indicating the number of ingress packets that hit rule 62
15:8	COUNT_IG_RULE61	Counter indicating the number of ingress packets that hit rule 61
7:0	COUNT_IG_RULE60	Counter indicating the number of ingress packets that hit rule 60

**8.7.82 Egress ACL Counter Group 0 (EG\_ACL\_COUNTER\_GRP0)**

Address: 0x180812A8

Access: Read-Only

Reset: 0x0

This register is used to count the packets that hit a certain ACL rule.

Bit	Bit Name	Description
31:24	COUNT_IG_RULE3	Counter indicating the number of ingress packets that hit rule 3
23:16	COUNT_IG_RULE2	Counter indicating the number of ingress packets that hit rule 2
15:8	COUNT_IG_RULE1	Counter indicating the number of ingress packets that hit rule 1
7:0	COUNT_IG_RULE0	Counter indicating the number of ingress packets that hit rule 0

**8.7.83 Egress ACL Counter Group 1 (EG\_ACL\_COUNTER\_GRP1)**

Address: 0x180812AC

Access: Read-Only

Reset: 0x0

This register is used to count the packets that hit a certain ACL rule.

Bit	Bit Name	Description
31:24	COUNT_IG_RULE7	Counter indicating the number of ingress packets that hit rule 7
23:16	COUNT_IG_RULE6	Counter indicating the number of ingress packets that hit rule 6
15:8	COUNT_IG_RULE5	Counter indicating the number of ingress packets that hit rule 5
7:0	COUNT_IG_RULE4	Counter indicating the number of ingress packets that hit rule 4

**8.7.84 Egress ACL Counter Group 2 (EG\_ACL\_COUNTER\_GRP2)**

Address: 0x180812B0

Access: Read-Only

Reset: 0x0

This register is used to count the packets that hit a certain ACL rule.

Bit	Bit Name	Description
31:24	COUNT_IG_RULE11	Counter indicating the number of ingress packets that hit rule 11
23:16	COUNT_IG_RULE10	Counter indicating the number of ingress packets that hit rule 10
15:8	COUNT_IG_RULE9	Counter indicating the number of ingress packets that hit rule 9
7:0	COUNT_IG_RULE8	Counter indicating the number of ingress packets that hit rule 8

**8.7.85 Egress ACL Counter Group 3 (EG\_ACL\_COUNTER\_GRP3)**

Address: 0x180812B4

Access: Read-Only

Reset: 0x0

This register is used to count the packets that hit a certain ACL rule.

Bit	Bit Name	Description
31:24	COUNT_IG_RULE15	Counter indicating the number of ingress packets that hit rule 15
23:16	COUNT_IG_RULE14	Counter indicating the number of ingress packets that hit rule 14
15:8	COUNT_IG_RULE13	Counter indicating the number of ingress packets that hit rule 13
7:0	COUNT_IG_RULE12	Counter indicating the number of ingress packets that hit rule 12

**8.7.86 Egress ACL Counter Group 4 (EG\_ACL\_COUNTER\_GRP4)**

Address: 0x180812B8

Access: Read-Only

Reset: 0x0

This register is used to count the packets that hit a certain ACL rule.

Bit	Bit Name	Description
31:24	COUNT_IG_RULE19	Counter indicating the number of ingress packets that hit rule 19
23:16	COUNT_IG_RULE18	Counter indicating the number of ingress packets that hit rule 18
15:8	COUNT_IG_RULE17	Counter indicating the number of ingress packets that hit rule 17
7:0	COUNT_IG_RULE16	Counter indicating the number of ingress packets that hit rule 16

**8.7.87 Egress ACL Counter Group 5 (EG\_ACL\_COUNTER\_GRP5)**

Address: 0x180812BC

Access: Read-Only

Reset: 0x0

This register is used to count the packets that hit a certain ACL rule.

Bit	Bit Name	Description
31:24	COUNT_IG_RULE23	Counter indicating the number of ingress packets that hit rule 23
23:16	COUNT_IG_RULE22	Counter indicating the number of ingress packets that hit rule 22
15:8	COUNT_IG_RULE21	Counter indicating the number of ingress packets that hit rule 21
7:0	COUNT_IG_RULE20	Counter indicating the number of ingress packets that hit rule 20

**8.7.88 Egress ACL Counter Group 6 (EG\_ACL\_COUNTER\_GRP6)**

Address: 0x180812C0

Access: Read-Only

Reset: 0x0

This register is used to count the packets that hit a certain ACL rule.

Bit	Bit Name	Description
31:24	COUNT_IG_RULE27	Counter indicating the number of ingress packets that hit rule 27
23:16	COUNT_IG_RULE26	Counter indicating the number of ingress packets that hit rule 26
15:8	COUNT_IG_RULE25	Counter indicating the number of ingress packets that hit rule 25
7:0	COUNT_IG_RULE24	Counter indicating the number of ingress packets that hit rule 24

**8.7.89 Egress ACL Counter Group 7 (EG\_ACL\_COUNTER\_GRP7)**

Address: 0x180812C4

Access: Read-Only

Reset: 0x0

This register is used to count the packets that hit a certain ACL rule.

Bit	Bit Name	Description
31:24	COUNT_IG_RULE31	Counter indicating the number of ingress packets that hit rule 31
23:16	COUNT_IG_RULE30	Counter indicating the number of ingress packets that hit rule 30
15:8	COUNT_IG_RULE29	Counter indicating the number of ingress packets that hit rule 29
7:0	COUNT_IG_RULE28	Counter indicating the number of ingress packets that hit rule 28

**8.7.90 Egress ACL Counter Group 8 (EG\_ACL\_COUNTER\_GRP8)**

Address: 0x180812C8

Access: Read-Only

Reset: 0x0

This register is used to count the packets that hit a certain ACL rule.

Bit	Bit Name	Description
31:24	COUNT_IG_RULE35	Counter indicating the number of ingress packets that hit rule 35
23:16	COUNT_IG_RULE34	Counter indicating the number of ingress packets that hit rule 34
15:8	COUNT_IG_RULE33	Counter indicating the number of ingress packets that hit rule 33
7:0	COUNT_IG_RULE32	Counter indicating the number of ingress packets that hit rule 32

**8.7.91 Egress ACL Counter Group 9 (EG\_ACL\_COUNTER\_GRP9)**

Address: 0x180812CC

Access: Read-Only

Reset: 0x0

This register is used to count the packets that hit a certain ACL rule.

Bit	Bit Name	Description
31:24	COUNT_IG_RULE39	Counter indicating the number of ingress packets that hit rule 39
23:16	COUNT_IG_RULE38	Counter indicating the number of ingress packets that hit rule 38
15:8	COUNT_IG_RULE37	Counter indicating the number of ingress packets that hit rule 37
7:0	COUNT_IG_RULE36	Counter indicating the number of ingress packets that hit rule 36

**8.7.92 Egress ACL Counter Group 10 (EG\_ACL\_COUNTER\_GRP10)**

Address: 0x180812D0

Access: Read-Only

Reset: 0x0

This register is used to count the packets that hit a certain ACL rule.

Bit	Bit Name	Description
31:24	COUNT_IG_RULE43	Counter indicating the number of ingress packets that hit rule 43
23:16	COUNT_IG_RULE42	Counter indicating the number of ingress packets that hit rule 42
15:8	COUNT_IG_RULE41	Counter indicating the number of ingress packets that hit rule 41
7:0	COUNT_IG_RULE40	Counter indicating the number of ingress packets that hit rule 40

**8.7.93 Egress ACL Counter Group 11 (EG\_ACL\_COUNTER\_GRP11)**

Address: 0x180812D4

Access: Read-Only

Reset: 0x0

This register is used to count the packets that hit a certain ACL rule.

Bit	Bit Name	Description
31:24	COUNT_IG_RULE47	Counter indicating the number of ingress packets that hit rule 47
23:16	COUNT_IG_RULE46	Counter indicating the number of ingress packets that hit rule 46
15:8	COUNT_IG_RULE45	Counter indicating the number of ingress packets that hit rule 45
7:0	COUNT_IG_RULE44	Counter indicating the number of ingress packets that hit rule 44

**8.7.94 Egress ACL Counter Group 12 (EG\_ACL\_COUNTER\_GRP12)**

Address: 0x180812D8

Access: Read-Only

Reset: 0x0

This register is used to count the packets that hit a certain ACL rule.

Bit	Bit Name	Description
31:24	COUNT_IG_RULE51	Counter indicating the number of ingress packets that hit rule 51
23:16	COUNT_IG_RULE50	Counter indicating the number of ingress packets that hit rule 50
15:8	COUNT_IG_RULE49	Counter indicating the number of ingress packets that hit rule 49
7:0	COUNT_IG_RULE48	Counter indicating the number of ingress packets that hit rule 48

**8.7.95 Egress ACL Counter Group 13 (EG\_ACL\_COUNTER\_GRP13)**

Address: 0x180812DC

Access: Read-Only

Reset: 0x0

This register is used to count the packets that hit a certain ACL rule.

Bit	Bit Name	Description
31:24	COUNT_IG_RULE55	Counter indicating the number of ingress packets that hit rule 55
23:16	COUNT_IG_RULE54	Counter indicating the number of ingress packets that hit rule 54
15:8	COUNT_IG_RULE53	Counter indicating the number of ingress packets that hit rule 53
7:0	COUNT_IG_RULE52	Counter indicating the number of ingress packets that hit rule 52

**8.7.96 Egress ACL Counter Group 14 (EG\_ACL\_COUNTER\_GRP14)**

Address: 0x180812E0

Access: Read-Only

Reset: 0x0

This register is used to count the packets that hit a certain ACL rule.

Bit	Bit Name	Description
31:24	COUNT_IG_RULE59	Counter indicating the number of ingress packets that hit rule 59
23:16	COUNT_IG_RULE58	Counter indicating the number of ingress packets that hit rule 58
15:8	COUNT_IG_RULE57	Counter indicating the number of ingress packets that hit rule 57
7:0	COUNT_IG_RULE56	Counter indicating the number of ingress packets that hit rule 56

**8.7.97 Egress ACL Counter Group 15 (EG\_ACL\_COUNTER\_GRP15)**

Address: 0x180812E4

Access: Read-Only

Reset: 0x0

This register is used to count the packets that hit a certain ACL rule.

Bit	Bit Name	Description
31:24	COUNT_IG_RULE63	Counter indicating the number of ingress packets that hit rule 63
23:16	COUNT_IG_RULE62	Counter indicating the number of ingress packets that hit rule 62
15:8	COUNT_IG_RULE61	Counter indicating the number of ingress packets that hit rule 61
7:0	COUNT_IG_RULE60	Counter indicating the number of ingress packets that hit rule 60



**8.7.98 Clear ACL Counters (CLEAR\_ACL\_COUNTERS)**

Address: 0x180812E8

Access: Read/Write

Reset: 0x0

This register is used to clear ingress and egress counters.

Bit	Bit Name	Description
31:2	RES	Reserved. Must be written with zero. Contains zeros when read.
1	CLEAR_EG_COUNTERS	Set to clear all egress ACL Counters. Software has to write a '0' to enable the ACL counters.
0	CLEAR_IG_COUNTERS	Set to clear all ingress ACL Counters. Software has to write a '0' to enable the ACL counters.

**8.7.99 Ingress ACL Rule Vector Lower (IG\_ACL\_RULE\_VECTOR\_LOWER)**

Address: 0x18081320

Access: Read/Write

Reset: 0x0

This register contains the lower bits of the ingress ACL rule vector.

Bit	Bit Name	Description
31:0	IG_ACL_RULE_VECTOR_LOWER	Lower bits [31:0] of the Ingress ACL Rule Vector

**8.7.100 Ingress ACL Rule Vector Upper (IG\_ACL\_RULE\_VECTOR\_UPPER)**

Address: 0x18081324

Access: Read/Write

Reset: 0x0

This register contains the upper bits of the ingress ACL rule vector.

Bit	Bit Name	Description
31:0	IG_ACL_RULE_VECTOR_UPPER	Upper bits [63:32] of the ingress ACL Rule Vector

**8.7.101 Egress ACL Rule Vector Lower (EG\_ACL\_RULE\_VECTOR\_LOWER)**

Address: 0x18081328

Access: Read/Write

Reset: 0x0

This register contains the lower bits of the egress ACL rule vector.

Bit	Bit Name	Description
31:0	EG_ACL_RULE_VECTOR_LOWER	Lower bits [31:0] of the egress ACL 3Rule Vector

**8.7.102 Egress ACL Rule Vector Upper (EG\_ACL\_RULE\_VECTOR\_UPPER)**

Address: 0x1808132C

Access: Read/Write

Reset: 0x0

This register contains the upper bits of the egress ACL rule vector.

Bit	Bit Name	Description
31:0	EG_ACL_RULE_VECTOR_UPPER	Upper bits [63:32] of the egress ACL Rule Vector

**8.7.103 Ingress ACL Rule Table0 Lower (IG\_ACL\_RULE\_TABLE0\_LOWER)**

Address: 0x18081334

Access: Read/Write

Reset: 0x0

This register contains the ingress ACL Rule Table0 entry lower bits.

Bit	Bit Name	Description
31:0	IG_ACL_RULE_TABLE_ENTRY	Ingress ACL rule table entry bits[31:0]

**8.7.104 Ingress ACL Rule Table0 Upper (IG\_ACL\_RULE\_TABLE0\_UPPER)**

Address: 0x18081338

Access: Read/Write

Reset: 0x0

This register contains the ingress ACL Rule Table0 entry upper bits.

Bit	Bit Name	Description
31:0	IG_ACL_RULE_TABLE_ENTRY	Ingress ACL rule table entry bits[63:32]

**8.7.105 Ingress ACL Rule Table1 Lower (IG\_ACL\_RULE\_TABLE1\_LOWER)**

Address: 0x1808133C

Access: Read/Write

Reset: 0x0

This register contains the ingress ACL Rule Table1 entry lower bits.

Bit	Bit Name	Description
31:0	IG_ACL_RULE_TABLE_ENTRY	Ingress ACL rule table entry bits[95:64]

**8.7.106 Ingress ACL Rule Table1 Upper (IG\_ACL\_RULE\_TABLE1\_UPPER)**

Address: 0x18081340

Access: Read/Write

Reset: 0x0

This register contains the ingress ACL Rule Table1 entry upper bits.

Bit	Bit Name	Description
31:0	IG_ACL_RULE_TABLE_ENTRY	Ingress ACL rule table entry bits[127:96]

**8.7.107 Ingress ACL Rule Table2 Lower (IG\_ACL\_RULE\_TABLE2\_LOWER)**

Address: 0x18081344

Access: Read/Write

Reset: 0x0

This register contains the ingress ACL Rule Table2 entry lower bits.

Bit	Bit Name	Description
31:0	IG_ACL_RULE_TABLE_ENTRY	Ingress ACL rule table entry bits[159:128]

**8.7.108***Ingress ACL Rule Table2 Upper (IG\_ACL\_RULE\_TABLE2\_UPPER)*

Address: 0x18081348

Access: Read/Write

Reset: 0x0

This register contains the ingress ACL Rule Table2 entry upper bits.

Bit	Bit Name	Description
31:0	IG_ACL_RULE_TABLE_ENTRY	Ingress ACL rule table entry bits[191:160]

**8.7.109***Ingress ACL Rule Table3 Lower (IG\_ACL\_RULE\_TABLE3\_LOWER)*

Address: 0x1808134C

Access: Read/Write

Reset: 0x0

This register contains the ingress ACL Rule Table3 entry lower bits.

Bit	Bit Name	Description
31:0	IG_ACL_RULE_TABLE_ENTRY	Ingress ACL rule table entry bits[223:192]

**8.7.110***Ingress ACL Rule Table3 Upper (IG\_ACL\_RULE\_TABLE3\_UPPER)*

Address: 0x18081350

Access: Read/Write

Reset: 0x0

This register contains the ingress ACL Rule Table3 entry upper bits.

Bit	Bit Name	Description
31:0	IG_ACL_RULE_TABLE_ENTRY	Ingress ACL rule table entry bits[63:32]

**8.7.111***Egress ACL Rule Table0 Lower (EG\_ACL\_RULE\_TABLE0\_LOWER)*

Address: 0x18081354

Access: Read/Write

Reset: 0x0

This register contains the egress ACL Rule Table0 entry lower bits.

Bit	Bit Name	Description
31:0	EG_ACL_RULE_TABLE_ENTRY	Egress ACL rule table entry bits[31:0]

**8.7.112***Egress ACL Rule Table0 Upper (EG\_ACL\_RULE\_TABLE0\_UPPER)*

Address: 0x18081358

Access: Read/Write

Reset: 0x0

This register contains the egress ACL Rule Table0 entry upper bits.

Bit	Bit Name	Description
31:0	EG_ACL_RULE_TABLE_ENTRY	Egress ACL rule table entry bits[63:32]

**8.7.113 Egress ACL Rule Table1 Lower (EG\_ACL\_RULE\_TABLE1\_LOWER)**

Address: 0x1808135C

Access: Read/Write

Reset: 0x0

This register contains the egress ACL Rule Table1 entry lower bits.

Bit	Bit Name	Description
31:0	EG_ACL_RULE_TABLE_ENTRY	Egress ACL rule table entry bits[95:64]

**8.7.114 Egress ACL Rule Table1 Upper (EG\_ACL\_RULE\_TABLE1\_UPPER)**

Address: 0x18081360

Access: Read/Write

Reset: 0x0

This register contains the egress ACL Rule Table1 entry upper bits.

Bit	Bit Name	Description
31:0	EG_ACL_RULE_TABLE_ENTRY	Egress ACL rule table entry bits[127:96]

**8.7.115 Egress ACL Rule Table2 Lower (EG\_ACL\_RULE\_TABLE2\_LOWER)**

Address: 0x18081364

Access: Read/Write

Reset: 0x0

This register contains the egress ACL Rule Table2 entry lower bits.

Bit	Bit Name	Description
31:0	EG_ACL_RULE_TABLE_ENTRY	Egress ACL rule table entry bits[159:28]

**8.7.116 Egress ACL Rule Table2 Upper (EG\_ACL\_RULE\_TABLE2\_UPPER)**

Address: 0x18081368

Access: Read/Write

Reset: 0x0

This register contains the egress ACL Rule Table2 entry upper bits.

Bit	Bit Name	Description
31:0	EG_ACL_RULE_TABLE_ENTRY	Egress ACL rule table entry bits[191:160]

**8.7.117 Egress ACL Rule Table3 Lower (EG\_ACL\_RULE\_TABLE3\_LOWER)**

Address: 0x1808136C

Access: Read/Write

Reset: 0x0

This register contains the egress ACL Rule Table3 entry lower bits.

Bit	Bit Name	Description
31:0	EG_ACL_RULE_TABLE_ENTRY	Egress ACL rule table entry bits[223:192]

**8.7.118 Egress ACL Rule Table3 Upper (EG\_ACL\_RULE\_TABLE3\_UPPER)**

Address: 0x18081370

Access: Read/Write

Reset: 0x0

This register contains the egress ACL Rule Table3 entry upper bits.

Bit	Bit Name	Description
31:0	EG_ACL_RULE_TABLE_ENTRY	Egress ACL rule table entry bits[255:224]

## 8.8 MBOX Registers

Table 8-9 summarizes the MBOX registers for the AR9344.

**Table 8-9. MBOX Registers Summary**

Address	Name	Description	Page
0x180A0008	MBOX_FIFO_STATUS	Non-Destructive FIFO Status Query	<a href="#">page 190</a>
0x180A000C	SLIC_MBOX_FIFO_STATUS	Non-Destructive SLIC FIFO Status Query	<a href="#">page 190</a>
0x180A0010	MBOX_DMA_POLICY	Mailbox DMA Engine Policy Control	<a href="#">page 191</a>
0x180A0014	SLIC_MBOX_DMA_POLICY	SLIC Mailbox DMA Engine Policy Control	<a href="#">page 192</a>
0x180A0018	MBOX_DMA_RX_DESCRIPTOR_BASE	Mailbox Rx DMA Descriptors Base Address	<a href="#">page 192</a>
0x180A001C	MBOX_DMA_RX_CONTROL	Mailbox Rx DMA Control	<a href="#">page 193</a>
0x180A0020	MBOX_DMA_TX_DESCRIPTOR_BASE	Mailbox Tx DMA Descriptors Base Address	<a href="#">page 193</a>
0x180A0024	MBOX_DMA_TX_CONTROL	Mailbox Tx DMA Control	<a href="#">page 194</a>
0x180A0028	SLIC_DMA_RX_DESCRIPTOR_BASE	SLIC Rx DMA Descriptors Base Address	<a href="#">page 194</a>
0x180A002C	SLIC_DMA_RX_CONTROL	SLIC Rx DMA Control	<a href="#">page 195</a>
0x180A0030	SLIC_DMA_TX_DESCRIPTOR_BASE	SLIC Tx DMA Descriptors Base Address	<a href="#">page 195</a>
0x180A0034	SLIC_DMA_TX_CONTROL	SLIC Tx DMA Control	<a href="#">page 196</a>
0x180A0038	MBOX_FRAME	Mailbox FIFO Status	<a href="#">page 196</a>
0x180A003C	SLIC_MBOX_FRAME	SLIC Mailbox FIFO Status	<a href="#">page 196</a>
0x180A0040	FIFO_TIMEOUT	FIFO Timeout Period	<a href="#">page 197</a>
0x180A0044	MBOX_INT_STATUS	MBOX Related Interrupt Status	<a href="#">page 197</a>
0x180A0048	SLIC_MBOX_INT_STATUS	SLIC_MBOX Related Interrupt Status	<a href="#">page 198</a>
0x180A004C	MBOX_INT_ENABLE	MBOX Related Interrupt Enables	<a href="#">page 198</a>
0x180A0050	SLIC_MBOX_INT_ENABLE	SLIC_MBOX Related Interrupt Enables	<a href="#">page 199</a>
0x180A0058	MBOX_FIFO_RESET	Reset and Clear MBOX FIFOs	<a href="#">page 199</a>
0x180A005C	SLIC_MBOX_FIFO_RESET	SLIC Reset and Clear MBOX FIFOs	<a href="#">page 199</a>

**8.8.1 Non-Destructive FIFO Status Query (MBOX\_FIFO\_STATUS)**

Address: 0x180A0008

Access: Read-Only

Reset: 0x0

This register returns the status of the mailbox FIFOs. This register may be read at any time without changing the mailbox state.

Bit	Bit Name	Reset	Description
31:4	RES	0x0	Reserved
3:2	EMPTY	0x3	On a read: returns an empty status for the Tx mailbox
			Bit [3]   MBOX 1 Tx FIFO is empty (I2S1)
			Bit [2]   MBOX 0 Tx FIFO is empty (I2S0)
1:0	FULL	0x3	On a read: returns a full status for the Rx mailbox
			Bit [1]   MBOX 1 Tx FIFO is full (I2S1)
			Bit [0]   MBOX 0 Tx FIFO is full (I2S0)

**8.8.2 Non-Destructive SLIC FIFO Status Query (SLIC\_MBOX\_FIFO\_STATUS)**

Address: 0x180A000C

Access: Read-Only

Reset: 0x0

This register returns the status of the SLIC mailbox FIFOs. This register may be read at any time without changing the SLIC mailbox state.

Bit	Bit Name	Reset	Description
31:4	RES	0x0	Reserved
3:2	EMPTY	0x3	On a read: returns an empty status for the Tx mailbox
			Bit [3]   MBOX 1 Tx FIFO is empty (I2S1)
			Bit [2]   MBOX 0 Tx FIFO is empty (I2S0)
1:0	FULL	0x3	On a read: returns a full status for the Rx mailbox
			Bit [1]   MBOX 1 Tx FIFO is full (I2S1)
			Bit [0]   MBOX 0 Tx FIFO is full (I2S0)

### 8.8.3 Mailbox DMA Engine Policy Control (MBOX\_DMA\_POLICY)

Address: 0x180A0010

Access: Read/Write

Reset: See field description

Controls the queue service policy of the mailbox DMA engines. The Rx and Tx engines can be programmed independently to service their queues in round robin or strict priority order. The engines can also be programmed to make a new queue choice at the end of messages or individual descriptors. The default mode is round robin decisions being made at the end of each message.

Bit	Bit Name	Reset	Description	
31:12	RES	0x0	Reserved	
11:8	TX_FIFO_THRESH1	0x4	Threshold for SLIC MBOX TX FIFO1 in units of word (a value of 0 maps to 0 bytes, a value of 1 maps to 4 bytes, etc.). Only if this threshold is reached, the SLIC MBOX DMA engine will take Tx Chain1 into consideration while making queue service choices	
7:4	TX_FIFO_THRESH0	0x4	Threshold for SLIC MBOX TX FIFO0 in units of word (a value of 0 maps to 0 bytes, a value of 1 maps to 4 bytes, etc.). Only if this threshold is reached, the SLIC MBOX DMA engine will take Tx Chain0 into consideration while making queue service choices	
3	TX_QUANTUM	0x0	0	Programming this field to 0 forces the SLIC Tx mailbox DMA engine to make queue service choices only at the end of messages (i.e., upon completing descriptors with the EOM bit set)
			1	Programming this field to 1 allows it to make choices upon the completion of every descriptor
2	TX_ORDER	0x0	0	Programming this field to 0 chooses round-robin and programming
			1	Programming this field to 1 chooses strict priority (queue 0 is the highest priority) service ordering of SLIC mailbox Tx queues
1	RX_QUANTUM	0x0	0	Programming this field to 0 forces the SLIC Rx mailbox DMA engine to make queue service choices only at the end of messages (i.e., upon completing descriptors with the EOM bit set)
			1	Programming this field to 1 allows it to make choices upon the completion of every descriptor
0	RX_ORDER	0x0	0	Programming this field to 0 chooses round-robin and programming
			1	Programming this field to 1 chooses strict priority (queue 0 is the highest priority) service ordering of SLIC mailbox Rx queues

### 8.8.4 SLIC Mailbox DMA Engine Policy Control (SLIC\_MBOX\_DMA\_POLICY)

Address: 0x180A0014

Access: Read/Write

Reset: See field description

Controls the queue service policy of the SLIC mailbox DMA engines. The Rx and Tx engines can be programmed independently to service

their queues in round robin or strict priority order. The engines can also be programmed to make a new queue choice at the end of messages or individual descriptors. The default mode is round robin decisions being made at the end of each message.

Bit	Bit Name	Reset	Description	
31:12	RES	0x0	Reserved	
11:8	TX_FIFO_THRESH1	0x4	Threshold for SLIC MBOX TX FIFO1 in units of word (a value of 0 maps to 0 bytes, a value of 1 maps to 4 bytes, etc.). Only if this threshold is reached, the SLIC MBOX DMA engine will take Tx Chain1 into consideration while making queue service choices	
7:4	TX_FIFO_THRESH0	0x4	Threshold for SLIC MBOX TX FIFO0 in units of word (a value of 0 maps to 0 bytes, a value of 1 maps to 4 bytes, etc.). Only if this threshold is reached, the SLIC MBOX DMA engine will take Tx Chain0 into consideration while making queue service choices	
3	TX_QUANTUM	0x0	0	Programming this field to 0 forces the SLIC Tx mailbox DMA engine to make queue service choices only at the end of messages (i.e., upon completing descriptors with the EOM bit set)
			1	Programming this field to 1 allows it to make choices upon the completion of every descriptor
2	TX_ORDER	0x0	0	Programming this field to 0 chooses round-robin and programming
			1	Programming this field to 1 chooses strict priority (queue 0 is the highest priority) service ordering of SLIC mailbox Tx queues
1	RX_QUANTUM	0x0	0	Programming this field to 0 forces the SLIC Rx mailbox DMA engine to make queue service choices only at the end of messages (i.e., upon completing descriptors with the EOM bit set)
			1	Programming this field to 1 allows it to make choices upon the completion of every descriptor
0	RX_ORDER	0x0	0	Programming this field to 0 chooses round robin and programming
			1	Programming this field to 1 chooses strict priority (queue 0 is the highest priority) service ordering of mailbox Rx queues

### 8.8.5 Mailbox Rx DMA Descriptors Base Address (MBOX\_DMA\_RX\_DESCRIPTOR\_BASE)

Address: 0x180A0018

Access: Read/Write

Reset: 0x0

Holds the starting address of the descriptor chain for Mailbox's Rx direction transfers. The DMA engine starts by fetching a descriptor from this address when the START bit in the MBOX\_DMA\_RX\_CONTROL register is set. All DMA descriptors must be 4-byte aligned, so the register's bottom two bits of the

contents, as well as the bottom two bits of the next descriptor field of the individual descriptors are ignored and assumed to be zeros by the DMA engine. For the purposes of the DMA engine, RX direction is defined to be transfers from the chip to the host interface (nominally, data received from the antenna) and the Tx direction is defined to be transfers from the host interface to the chip (nominally, data to be transmitted to the antenna).

Bit	Bit Name	Description
31:28	RES	Reserved
27:2	ADDRESS	Most significant 26 bits of the 4-byte-aligned address of the first descriptor in the DMA chain
1:0	RES	Reserved



### 8.8.6 Mailbox Rx DMA Control (MBOX\_DMA\_RX\_CONTROL)

Address: 0x180A001C

Access: Read/Write

Reset: 0x0

Controls the operational state of the DMA engine for Mailbox's Rx direction transfers. The register should always be written in a one shot manner (only one of the operations should be specified) and can be polled to see if the desired operation has taken effect (indicated by the clearing of the corresponding bit). The DMA engine starts out stopped and must be kicked off for the first time with a START operation. The START operation causes the DMA engine to start fetching a descriptor at the address specified by the "Mailbox Rx DMA Descriptors Base Address

(MBOX\_DMA\_RX\_DESCRIPTOR\_BASE)" register. Once this first descriptor has been fetched, if the DMA engine ever catches up with a CPU-owned descriptor, it can be requested to re-fetch the descriptor that it stalled on by programming the RESUME operation. Software can stop the operation of the DMA engine by programming the STOP operation. When the STOP operation is programmed, the DMA engine stops transfers immediately if it was already idle or at the end of the transfer of the current descriptor it is working on if it was busy. Note that this may leave incomplete messages in the mailbox FIFOs if the message in progress is scattered or gathered across multiple descriptors.

Bit	Bit Name	Description
31:3	RES	Reserved
2	RESUME	Programming a 1 to this field causes a potentially stalled (due to having caught up with CPU-owned descriptors) DMA engine to resume its transfers by refetching the last descriptor it had fetched and found to be CPU-owned. Software can use RESUME operations to add descriptors to the end of the descriptor chain (only modifying CPU-owned descriptors) in a race-free atomic manner. If the RESUME operation is programmed and the DMA engine is not stalled, it has no effect and is automatically cleared.
1	START	Programming a one to this field causes the DMA engine to start transferring data by fetching the descriptor pointed to by the "Mailbox Rx DMA Descriptors Base Address (MBOX_DMA_RX_DESCRIPTOR_BASE)" register. The START operation should usually be used only when the DMA engine is known to be stopped (after power-on or SOC reset) or after an explicit STOP operation.
0	STOP	Programming a one to this field causes the DMA engine to stop transferring any more data from this descriptor chain (after the current descriptor is completed, if a transfer is already in progress).

### 8.8.7 Mailbox Tx DMA Descriptors Base Address (MBOX\_DMA\_TX\_DESCRIPTOR\_BASE)

Address: 0x180A0020

Access: Read/Write

Reset: 0x0

See the description for the register "Mailbox Rx DMA Descriptors Base Address (MBOX\_DMA\_RX\_DESCRIPTOR\_BASE)", as applied to Mailbox's Tx direction transfers.

Bit	Bit Name	Description
31:28	RES	Reserved
27:2	ADDRESS	Most significant 26 bits of the 4-byte-aligned address of the first descriptor in the DMA chain
1:0	RES	Reserved

### 8.8.8 Mailbox Tx DMA Control (MBOX\_DMA\_TX\_CONTROL)

Address: 0x180A0024

Access: Read/Write

Reset: 0x0

See the description for the register “Mailbox Rx DMA Control (MBOX\_DMA\_RX\_CONTROL)”.

Bit	Bit Name	Description
31:3	RES	Reserved
2	RESUME	Programming a one to this field causes a potentially stalled (due to having caught up with CPU-owned descriptors) DMA engine to resume its transfers by re-fetching the last descriptor it had fetched and found to be CPU-owned. Software can use RESUME operations to keep adding descriptors to the end of the descriptor chain (only modifying CPU-owned descriptors) in a race free atomic manner. If the RESUME operation is programmed and the DMA engine is not stalled, it has no effect and is automatically cleared.
1	START	Programming a one to this field causes the DMA engine to start transferring data by fetching the descriptor pointed to by the “Mailbox Tx DMA Descriptors Base Address (MBOX_DMA_TX_DESCRIPTOR_BASE)” register. The START operation should usually be used only when the DMA engine is known to be stopped (after power-on or SOC reset) or after an explicit STOP operation.
0	STOP	Programming a one to this field causes the DMA engine to stop transferring any more data from this descriptor chain (after the current descriptor is completed, if a transfer is already in progress).

### 8.8.9 SLIC Rx DMA Descriptors Base Address (SLIC\_DMA\_RX\_DESCRIPTOR\_BASE)

Address: 0x180A0028

Access: Read/Write

Reset: 0x0

Holds the starting address of the descriptor chain for the mailbox’s Rx direction transfers. The DMA engine starts by fetching a descriptor from this address when the START bit in the “SLIC Rx DMA Control (SLIC\_DMA\_RX\_CONTROL)” register is set. All DMA descriptors must be 4-byte aligned, so the register’s bottom two bits of the

contents, as well as the bottom two bits of the next descriptor field of the individual descriptors are ignored and assumed to be zeros by the DMA engine. For the purposes of the DMA engine, RX direction is defined to be transfers from the chip to the host interface (nominally, data received from the antenna) and the Tx direction is defined to be transfers from the host interface to the chip (nominally, data to be transmitted to the antenna).

Bit	Bit Name	Description
31:28	RES	Reserved. Must be written with zero. Contains zeros when read.
27:2	ADDRESS	Most significant 26 bits of the 4-byte-aligned address of the first descriptor in the DMA chain
1:0	RES	Reserved. Must be written with zero. Contains zeros when read.

### 8.8.10 SLIC Rx DMA Control (SLIC\_DMA\_RX\_CONTROL)

Address: 0x180A002C

Access: Read/Write

Reset: 0x0

Controls the operational state of the DMA engine for the mailbox's Rx direction transfers. The register should always be written in a one shot manner (only one of the operations should be specified) and can be polled to see if the desired operation has taken effect (indicated by the clearing of the corresponding bit). The DMA engine starts out stopped and must be kicked off for the first time with a START operation. The START operation causes the DMA engine to start fetching a descriptor at the address specified by the "SLIC Rx DMA Descriptors Base Address

(SLIC\_DMA\_RX\_DESCRIPTOR\_BASE)" register. Once this first descriptor has been fetched, if the DMA engine ever catches up with a CPU-owned descriptor, it can be requested to re-fetch the descriptor that it stalled on by programming the RESUME operation. Software can stop the operation of the DMA engine by programming the STOP operation. When the STOP operation is programmed, the DMA engine stops transfers immediately if it was already idle or at the end of the transfer of the current descriptor it is working on if it was busy. Note that this may leave incomplete messages in the mailbox FIFOs if the message in progress is scattered or gathered across multiple descriptors.

Bit	Bit Name	Description
31:3	RES	Reserved. Must be written with zero. Contains zeros when read.
2	RESUME	Programming a 1 to this field causes a potentially stalled (due to having caught up with CPU-owned descriptors) DMA engine to resume its transfers by refetching the last descriptor it had fetched and found to be CPU-owned. Software can use RESUME operations to add descriptors to the end of the descriptor chain (only modifying CPU-owned descriptors) in a race-free atomic manner. If the RESUME operation is programmed and the DMA engine is not stalled, it has no effect and is automatically cleared.
1	START	Programming a one to this field causes the DMA engine to start transferring data by fetching the descriptor pointed to by the "SLIC Rx DMA Descriptors Base Address (SLIC_DMA_RX_DESCRIPTOR_BASE)" register. The START operation should usually be used only when the DMA engine is known to be stopped (after power on or SOC reset) or after an explicit STOP operation.
0	STOP	Programming a one to this field causes the DMA engine to stop transferring any more data from this descriptor chain (after the current descriptor is completed, if a transfer is already in progress).

### 8.8.11 SLIC Tx DMA Descriptors Base Address (SLIC\_DMA\_TX\_DESCRIPTOR\_BASE)

Address: 0x180A0030

Access: Read/Write

Reset: 0x0

See the description for the register "Mailbox Rx DMA Descriptors Base Address (MBOX\_DMA\_RX\_DESCRIPTOR\_BASE)", as applied to the mailbox Tx direction transfers.

Bit	Bit Name	Description
31:28	RES	Reserved
27:2	ADDRESS	Most significant 26 bits of the 4-byte-aligned address of the first descriptor in the DMA chain
1:0	RES	Reserved

**8.8.12 SLIC Tx DMA Control (SLIC\_DMA\_TX\_CONTROL)**

Address: 0x180A0034

Access: Read/Write

Reset: 0x0

See the description for the register “Mailbox Rx DMA Control (MBOX\_DMA\_RX\_CONTROL)”.

Bit	Bit Name	Description
31:3	RES	Reserved
2	RESUME	Programming a one to this field causes a potentially stalled (due to having caught up with CPU-owned descriptors) DMA engine to resume its transfers by re-fetching the last descriptor it had fetched and found to be CPU-owned. Software can use RESUME operations to keep adding descriptors to the end of the descriptor chain (only modifying CPU-owned descriptors) in a race free atomic manner. If the RESUME operation is programmed and the DMA engine is not stalled, it has no effect and is automatically cleared.
1	START	Programming a one to this field causes the DMA engine to start transferring data by fetching the descriptor pointed to by the “SLIC Tx DMA Descriptors Base Address (SLIC_DMA_TX_DESCRIPTOR_BASE)” register. The START operation should usually be used only when the DMA engine is known to be stopped (after power on or SOC reset) or after an explicit STOP operation.
0	STOP	Programming a one to this field causes the DMA engine to stop transferring any more data from this descriptor chain (after the current descriptor is completed, if a transfer is already in progress).

**8.8.13 Mailbox FIFO Status (MBOX\_FRAME)**

Address: 0x180A0038

Access: Read-Only

Reset: See field description

Bit	Bit Name	Reset	Description
31:3	RES	0x0	Reserved. Must be written with zero. Contains zeros when read.
2	RX_EOM	0x0	Rx FIFO contains a data byte with the EOM end of message marker set in the corresponding mailbox
1	RES	0x0	Reserved. Must be written with zero. Contains zeros when read.
0	RX_SOM	0x1	Rx FIFO contains a data byte with the SOM start of message marker set in the corresponding mailbox; a SOM byte always follows an EOM byte from the previous message

**8.8.14 SLIC Mailbox FIFO Status (SLIC\_MBOX\_FRAME)**

Address: 0x180A003C

Access: Read-Only

Reset: See field description

Bit	Bit Name	Reset	Description
31:2	RES	0x0	Reserved. Must be written with zero. Contains zeros when read.
1	RX_EOM	0x0	Rx FIFO contains a data byte with the EOM end of message marker set in the corresponding SLIC mailbox
0	RX_SOM	0x1	Rx FIFO contains a data byte with the SOM start of message marker set in the corresponding SLIC mailbox; a SOM byte always follows an EOM byte from the previous message

**8.8.15 FIFO Timeout Period (FIFO\_TIMEOUT)**

Address: 0x180A0040

Access: Read/Write

Reset: See field description

Bit	Bit Name	Reset	Description	
31:9	RES	0x0	Reserved. Must be written with zero. Contains zeros when read.	
8	ENABLE	0x1	0	FIFO timeouts are disabled
			1	FIFO timeouts are enabled
7:0	VALUE	0xFF	Timeout value (in ms) when CORE_CLK = 40 MHz, or in 0.5 ms when CORE_CLK=80 MHz; should never be set to 0	

**8.8.16 MBOX Related Interrupt Status (MBOX\_INT\_STATUS)**

Address: 0x180A0044

Access: Read/Write-1-to-Clear

Reset: 0x0

Bit	Bit Name	Description
31:11	RES	Reserved. Must be written with zero. Contains zeros when read.
10	RX_DMA_COMPLETE	MBOX Rx DMA completion (one descriptor completed) interrupts
9	RES	Reserved. Must be written with zero. Contains zeros when read.
8	TX_DMA_EOM_COMPLETE	MBOX Tx DMA completion of EOM (descriptor with EOM flag completed) interrupts
7	RES	Reserved. Must be written with zero. Contains zeros when read.
6	TX_DMA_COMPLETE	MBOX Tx DMA completion (one descriptor completed) interrupts
5	TX_OVERFLOW	MBOX Tx overflow error; the overflow condition is the same as the host interface overflow error
4	RX_UNDERFLOW	MBOX Rx underflow error; the underflow condition is the same as the host interface underflow error
3	RES	Reserved. Must be written with zero. Contains zeros when read.
2	TX_NOT_EMPTY	TX_NOT_EMPTY pending interrupt for Tx mailboxes; bit sets when the MBOX FIFO has insufficient space
1	RES	Reserved. Must be written with zero. Contains zeros when read.
0	RX_NOT_FULL	RX_NOT_FULL pending interrupt for Rx mailboxes; bit sets when one or more exist

**8.8.17 SLIC MBOX Related Interrupt Status (SLIC\_MBOX\_INT\_STATUS)**

Address: 0x180A0048

Access: Read/Write-1-to-Clear

Reset: 0x0

Bit	Bit Name	Description
31:7	RES	Reserved. Must be written with zero. Contains zeros when read.
6	RX_DMA_COMPLETE	SLIC mailbox Rx DMA completion (one descriptor completed) interrupts
5	TX_DMA_EOM_COMPLETE	SLIC mailbox Tx DMA completion of EOM (descriptor with EOM flag completed) interrupts
4	TX_DMA_COMPLETE	SLIC mailbox Tx DMA completion (one descriptor completed) interrupts
3	TX_OVERFLOW	SLIC MBOX Tx overflow error; the overflow condition is the same as the host interface overflow error
2	RX_UNDERFLOW	SLIC MBOX Rx underflow error; the underflow condition is the same as the host interface underflow error
1	TX_NOT_EMPTY	TX_NOT_EMPTY pending interrupt for SLIC Tx mailboxes; bit sets when the MBOX FIFO has no room
0	RX_NOT_FULL	RX_NOT_FULL pending interrupt for SLIC Rx mailboxes; bit sets when one or more exist

**8.8.18 MBOX Related Interrupt Enables (MBOX\_INT\_ENABLE)**

Address: 0x180A0028

Access: Read/Write

Reset: 0x0

This register is used to mask/enable interrupts to the CPU.

Bit	Bit Name	Description
31:12	RES	Reserved
11:10	RX_DMA_COMPLETE	Enable per mailbox Rx DMA completion interrupts
9:8	TX_DMA_EOM_COMPLETE	Enable per mailbox Tx DMA completion of end of message interrupts
7:6	TX_DMA_COMPLETE	Enable per mailbox Tx DMA completion interrupts
5	TX_OVERFLOW	Enable MBOX Tx overflow error
4	RX_UNDERFLOW	Enable MBOX Rx overflow error
3:2	TX_NOT_EMPTY	Enable TX_NOT_EMPTY interrupts from MBOX Tx FIFOs
		Bit [0]   Enable MBOX 0 TX_NOT_EMPTY interrupt
		Bit [1]   Enable MBOX 1 TX_NOT_EMPTY interrupt
1:0	RX_NOT_FULL	Enable RX_NOT_EMPTY interrupts from MBOX RX FIFOs
		Bit [0]   Enable MBOX 0 RX_NOT_EMPTY interrupt
		Bit [1]   Enable MBOX 1 RX_NOT_EMPTY interrupt

### 8.8.19 SLIC MBOX Related Interrupt Enables (SLIC\_MBOX\_INT\_ENABLE)

Address: 0x180A0050

Access: Read/Write

Reset: 0x0

This register is used to mask/enable interrupts to the CPU.

Bit	Bit Name	Description
31:7	RES	Reserved. Must be written with zero. Contains zeros when read.
6	RX_DMA_COMPLETE	SLIC mailbox Rx DMA completion interrupts
5	TX_DMA_EOM_COMPLETE	Enable SLIC mailbox Tx DMA completion of end of message interrupts
4	TX_DMA_COMPLETE	Enable SLIC mailbox Tx DMA completion interrupts
3	TX_OVERFLOW	Enable SLIC MBOX Tx overflow error
2	RX_UNDERFLOW	Enable SLIC MBOX Rx overflow error
1	TX_NOT_EMPTY	Enable TX_NOT_EMPTY interrupts from SLIC MBOX Tx FIFOs
0	RX_NOT_FULL	Enable RX_NOT_EMPTY interrupts from SLIC MBOX RX FIFOs

### 8.8.20 Reset and Clear MBOX FIFOs (MBOX\_FIFO\_RESET)

Address: 0x180A0058

Access: Read/Write

Reset: 0x0

Resets and clears data from MBOX FIFOs. This register should only be written to when no DMAs are in progress. For stereo applications, it is recommended that MBOX FIFOs be reset at the beginning of each new audio stream (new VoIP call, new song, etc.) The stereo block should also be reset when the FIFOs are reset, to maintain byte alignment.

Bit	Bit Name	Description
31:4	RES	Reserved
3:2	RX_INIT	Writing a 1 causes a Rx FIFO reset. The register is automatically reset to 0, and will always return 0 on a read.
		RX_INIT[0] Resets MBOX 0
		RX_INIT[1] Resets MBOX 1
1:0	TX_INIT	Writing a 1 will cause a TX FIFO reset. The register is automatically reset to 0, and will always return 0 on a read.
		TX_INIT[0] Resets MBOX 0
		TX_INIT[1] Resets MBOX 1

### 8.8.21 SLIC Reset and Clear MBOX FIFOs (SLIC\_MBOX\_FIFO\_RESET)

Address: 0x180A005C

Access: Read/Write

Reset: 0x0

Resets and clears data from SLIC MBOX FIFOs. This register should only be written to when no DMAs are in progress.

Bit	Bit Name	Description
31:3	RES	Reserved. Must be written with zero. Contains zeros when read.
1	RX_INIT	Writing a 1 causes a Rx FIFO reset. The register is automatically reset to 0, and will always return 0 on a read.
0	TX_INIT	Writing a 1 will cause a Tx FIFO reset. The register is automatically reset to 0, and will always return 0 on a read.

## 8.9 SLIC Registers

Table 8-10 summarizes the SLIC registers for the AR9344.

Table 8-10. SLIC Registers Summary

Address	Name	Description	Page
0x180A9000	SLIC_SLOT	SLIC Slots	page 200
0x180A9004	SLIC_CLOCK_CONTROL	SLIC Clock Control	page 200
0x180A9008	SLIC_CTRL	SLIC Control	page 201
0x180A900C	SLIC_TX_SLOTS1	SLIC Tx Slots1 Control	page 201
0x180A9010	SLIC_TX_SLOTS2	SLIC Tx Slots2 Control	page 201
0x180A9014	SLIC_RX_SLOTS1	SLIC Rx Slots1 Control	page 201
0x180A9018	SLIC_TX_SLOTS2	SLIC Tx Slots2 Control	page 201
0x180A901C	SLIC_TIMING_CTRL	SLIC Timing Control	page 202
0x180A9020	SLIC_INTR	SLIC Interrupt	page 203
0x180A9024	SLIC_SWAP	SLIC Swaps	page 203

### 8.9.1 SLIC Slots (SLIC\_SLOT)

Address: 0x180A9000

Access: Read/Write

Reset: See field description

This register indicates the maximum number of time slots supported by the connected SLIC device. The AR9344 supports 1 to 64 slots, each one has a duration of 8 bits.

Bit	Bit Name	Reset	Description
31:7	RES	0x0	Reserved. Must be written with zero. Contains zeros when read.
6:0	SEL	0x20	The number of SLIC slots

### 8.9.2 SLIC Clock Control (SLIC\_CLOCK\_CONTROL)

Address: 0x18090004

Access: Read/Write

Reset: 0x0

This register defines the divider value of AUDIO\_PLL\_CLK. A value of "1" indicates

division by 2, "2" indicates division by 4 and so on. This value needs to be programmed based on the PLL\_CLK frequency and maximum number of slots programmed using the "SLIC Slots (SLIC\_SLOT)" on page 200.

Bit	Bit Name	Description
31:6	RES	Reserved. Must be written with zero. Contains zeros when read.
5:0	DIV	Defines the divider value of AUDIO_PLL_CLK.



### 8.9.3 SLIC Control (SLIC\_CTRL)

Address: 0x18090008  
 Access: Read/Write  
 Reset: See field description

This register defines the various control signals of the SLIC controller.

Bit	Bit Name	Reset	Description	
31:4	RES	0x0	Reserved. Must be written with zero. Contains zeros when read.	
3	CLK_EN	0x0	Acts as a clock gate enable. It gates the AUDIO_PLL/external clock.	
2	MASTER_SLAVE	0x1	Used to select the mode for SLIC control functionality	
			0	Slave mode. Indicates that the AR9344 is a device on the PCM Highway and FS and SLIC_PCM_CLK are inputs.
			1	Master mode. Indicates that the AR9344 is the master on the PCM highway and will drive the Frame Sync and SLIC_PCM_CLK signal.
1	SLIC_EN	0x0	Enables the total SLIC controller functionality either in master or slave mode	
0	RES	0x0	Reserved	

### 8.9.4 SLIC Tx Slots 1 (SLIC\_TX\_SLOTS1)

Address: 0x1809000C  
 Access: Read/Write  
 Reset: 0x0

This register defines the LSB 32 Tx slots, each bit corresponds to one of the 64 slots. Write a 1 to enable a particular slot.

Bit	Bit Name	Description
31:0	ONEHOT	Slots to be enabled. A 1 in any bit indicates the corresponding time slot is enabled.

### 8.9.5 SLIC Tx Slots 2 (SLIC\_TX\_SLOTS2)

Address: 0x18090010  
 Access: Read/Write  
 Reset: 0x0

This register defines the MSB 32 Tx slots, each bit corresponds to one of the 64 slots. Write a 1 to enable a particular slot.

Bit	Bit Name	Description
31:0	ONEHOT	Slots to be enabled. A 1 in any bit indicates the corresponding time slot is enabled.

### 8.9.6 SLIC Rx Slots 1 (SLIC\_RX\_SLOTS1)

Address: 0x18090014  
 Access: Read/Write  
 Reset: 0x0

This register defines the LSB 32 Rx slots, each bit corresponds to one of the 64 slots. Write a 1 to enable a particular slot.

Bit	Bit Name	Description
31:0	ONEHOT	Slots to be enabled. A 1 in any bit indicates the corresponding time slot is enabled.

### 8.9.7 SLIC Rx Slots 2 (SLIC\_RX\_SLOTS2)

Address: 0x18090018  
 Access: Read/Write  
 Reset: 0x0

This register defines the MSB 32 Rx slots, each bit corresponds to one of the 64 slots. Write a 1 to enable a particular slot.

Bit	Bit Name	Description
31:0	ONEHOT	Slots to be enabled. A 1 in any bit indicates the corresponding time slot is enabled.

### 8.9.8 SLIC Timing Control (SLIC\_TIMING\_CTRL)

Address: 0x1809001C

Access: Read/Write

Reset: See field description

This register sets the timing control related bits for FRAME\_SYNC and data.

Bit	Bit Name	Reset	Description	
31:12	RES	0x0	Reserved. Must be written with zero. Contains zeros when read.	
11	RXDATA_SAMPLE_POS_EXTENDED	0x0	This bit, along with RX_DATA_SAMPLE_POS, provides a 3-bit field which controls when data will be sampled with respect to the frame sync posedge.	
			000	Rx Data sampled at the second posedge of the BIT_CLK after the framesync
			001	Rx Data sampled at the second negedge of BIT_CLK after framesync
			010	Rx Data sampled at the third negedge of BIT_CLK after framesync
			011	Rx Data sampled at the third posedge of BIT_CLK after framesync
			100	Rx Data will be sampled at the fourth posedge of BIT_CLK after framesync
			101	Rx Data will be sampled at the first posedge of BIT_CLK framesync
10	TXDATA_FS_SYNC_EXTEND	0x0	This bit (MSB), along with TXDATA_FS_SYNC field, provides a 3-bit field which controls software when Tx data will be shifted out with respect to the frame sync posedge.	
			000	Tx data will be sent at the first posedge of BIT_CLK after frame sync
			001	Tx data will be sent at the first negedge of BIT_CLK after frame sync
			010	Tx data will be sent in the second posedge of BIT_CLK after frame sync
			011	Tx data will be sent at the second negedge of BIT_CLK after frame sync
			100	Tx data will be sent in the third posedge of BIT_CLK after frame sync
			101	Tx data will be sent in the third posedge of BIT_CLK after frame sync
9	DATAOEN_ALWAYS	0x0	0 The DATA_OEN is present for enabled slots	
			1 The DATA_OEN is high for all slots	
8:7	RXDATA_SAMPLE_POS	0x0	This field, along with the RXDATA_SAMPLE_POS_EXTEND bit, provides a 3-bit field which controls when data will be sampled with respect to frame sync posedge. See the descriptions for RXDATA_SAMPLE_POS_EXTEND.	
6:5	TXDATA_FS_SYNC	0x1	This field, along with the TXDATA_FS_SYNC_EXTEND bit, provides a 3-bit field which controls when data will be sampled with respect to frame sync posedge. See the descriptions for TXDATA_FS_SYNC_EXTEND.	
4:2	LONG_FSCLKS	0x0	This field depends on the LONG_FS. If the LONG_FS = 1, then this field specifies then number of BIT_CLKs for which FS is high.	
			0	1 BIT_CLK
			...	...
			7	8 BIT_CLKs
1	FS_POS	0x1	This field determines the relation between BIT_CLK and Framesync when the AR9344 is in master mode	
			0	Send FS at the negative edge of the BIT_CLK
			1	Send FS at the positive edge of the BIT_CLK
0	LONG_FS	0x1	0 FS is high for a half bit clock	
			1	FS is high for more than 1 BIT_CLK duration

### 8.9.9 SLIC Interrupt (SLIC\_INTR)

Address: 0x18090020

Access: Read/Write

Reset: See field description

This register controls the SLIC interrupt and SLIC status registers.

Bit	Bit Name	Reset	Description	
31:10	RES	0x0	Reserved. Must be written with zero. Contains zeros when read.	
9:5	STATUS	0x0	0	No interrupts
			1	A particular bit location means a particular interrupt is asserted
				Bit[5]
Bit[9:6]	Reserved			
0	TX_DATA	0x1F	A 1 denotes the enabling of all interrupts	
			Bit[0]	A 0 denotes an interrupt for an unexpected framesync received that was masked
			Bit[4:1]	Reserved

### 8.9.10 SLIC Swap (SLIC\_SWAP)

Address: 0x18090024

Access: Read/Write

Reset: 0x0

This register denotes the bit level swap registers at byte boundary for both Tx and Rx data.

Bit	Bit Name	Description	
31:2	RES	Reserved. Must be written with zero. Contains zeros when read.	
1	RX_DATA	0	Do not swap the Rx byte
		1	Swap the Rx byte
0	TX_DATA	0	Do not swap the Tx byte
		1	Swap the Tx byte

## 8.10 Stereo Registers

Table 8-11 summarizes the stereo registers for the AR9344.

Table 8-11. Stereo Registers Summary

Address	Name	Description	Page
0x180B0000	STEREO_CONFIG	Configure Stereo Block	page 204
0x180B0004	STEREO_VOLUME	Set Stereo Volume	page 206
0x180B0008	STEREO_MASTER_CLOCK	Stereo Master Clock	page 207
0x180B000C	STEREO_TX_SAMPLE_CNT_LSB	Tx Sample Counter	page 207
0x180B0010	STEREO_TX_SAMPLE_CNT_MSB	Tx Sample Counter	page 207
0x180B0014	STEREO_RX_SAMPLE_CNT_LSB	Rx Sample Counter LSB	page 207
0x180B0018	STEREO_RX_SAMPLE_CNT_MSB	Rx Sample Counter MSB	page 207

### 8.10.1 Configure Stereo Block (STEREO\_CONFIG)

Address: 0x180B0000

Access: Read/Write

Reset: See field description

This register controls the basic configuration of the stereo block.

Bit	Bit Name	Reset	Description
31:24	RES		Reserved. Must be written with zero. Contains zeros when read.
23	SPDIF_ENABLE	0x0	Enables the SPDIF stereo block for operation
22	RES		Reserved. Must be written with zero. Contains zeros when read.
21	ENABLE	0x0	Enables operation of the I <sup>2</sup> S stereo block
20	MIC_RESET	0x0	Resets the MIC buffers
19	RESET	0x0	Resets the stereo buffers and I <sup>2</sup> S state; Should be written to 1 when any of the data word sizes change, or if data synchronization is lost. Hardware will automatically clear to 0.
18	I2S_DELAY	0x1	No delay: I2S_WS is available one clock cycle before data
			0   No delay
			1   One I2S_CLK delay: I2S_WS is asserted on the same CLK edge as the data
17	PCM_SWAP	0x0	This bit is used for swapping byte order of PCM samples
16	MIC_WORD_SIZE	0x0	Causes configures microphone word size:
			0   16-bit PCM words
			1   32-bit PCM words
15:14	STEREO_MONO	0x0	Causes configures stereo or mono
			0x0   Stereo
			0x1   Mono from channel 0
			0x2   Mono from channel 1
			0x3   Reserved

13:12	DATA_WORD_SIZE	0x0	Controls the word size loaded into the PCM register from the MBOX FIFO. Data word size:	
			0x0	8 bits/word
			0x1	16 bits/word
			0x2	24 bits/word
			0x3	32 bits/word
11	I2S_WORD_SIZE	0x0	Controls the word size sent to the external I <sup>2</sup> S DAC. When set to 32 bit words, the PCM data will be left justified in the I <sup>2</sup> S word. I <sup>2</sup> S word size:	
			0	16 bits per I <sup>2</sup> S word
			1	32 bits per I <sup>2</sup> S word
10	MCK_SEL	0x0	When a DAC master clock is required, this field selects the raw clock source between divided audio clock and input master clock (MCLK_IN)	
			0	Raw master clock is divided audio PLL clock
			1	Raw master clock is MCLK_IN
9	SAMPLE_CNT_CLEAR_TYPE	0x0	Indicates the strategy used to clear the sample counter Tx and Rx registers	
			0	Write an explicit zero data through software to the Tx and Rx sample counter registers
			1	A software read of the Tx and Rx sample counter registers clears the counter registers
8	MASTER	0x1	This field controls the I2S_CK and I2S_WS master	
			0	External DAC is the master and drives I2S_CK and I2S_WS
			1	The AR9344 is the master and drives I2S_CK and I2S_WS
7:0	POSEDGE	0x2	Counts in units of MCLK and can be calculated as follows: <ul style="list-style-type: none"> <li>■ Identify the relationship between MCLK and I<sup>2</sup>S bit clock (I2S_SCK):  <math display="block">I2S\_SCK = MCLK / DIV</math>           Where <math>DIV = MCLK / (SAMPLE\_RATE * I2S\_WORD\_SIZE * 2</math> channels); a common example, a 44.1 KSps sample rate with 32 bits/word and a 11.2896 MHz MCLK would yield:  <math display="block">DIV = 11.2896MHz / (44.1 KSps * 32 bits/word * 2) = 4</math> </li> <li>■ Identify the relationship between I2S_SCK and SPDIF_SCK:            If I2S_WORD_SIZE=16, then <math>I2S\_SCK = SPDIF\_SCK / 4</math>            If I2S_WORD_SIZE=32, then <math>I2S\_SCK = SPDIF\_SCK / 2</math>            Note that SPDIF is always 32 bits per word.         </li> <li>■ Determine the value of this register (POSEDGE):  <math display="block">SPDIF\_SCK = MCLK / POSEDGE</math> </li> </ul>	

## 8.10.2 Set Stereo Volume (STEREO\_VOLUME)

Address: 0x180B0004

Access: Read/Write

Reset: 0x0

This register digitally attenuates or increases the volume level of the stereo output. Volume is adjusted in 6-dB steps. If the gain is set too high, the PCM values saturate and waveform clipping occurs.

Bit	Bit Name	Description	
31:13	RES	Reserved. Must be written with zero. Contains zeros when read.	
12:8	CHANNEL1	Channel 1 gain/attenuation. Setting the gain above +7 is not supported. A 5 bit number; the MSB is a sign bit, the others are magnitude:	
		<b>Binary (Decimal)</b>	<b>Result</b>
		11111 (-16)	Maximum attenuation
		11110 (-14)	-84 dB
		...	...
		10001 (-1)	-6 dB
		10000 (0)	0 dB
		00000 (0)	0 dB
		00001 (+1)	+6 dB
		...	...
		00111 (+7)	+42 dB (maximum gain)
		01000 (+8)	Reserved
		...	...
		01111 (+15)	Reserved
7:5	RES	Reserved. Must be written with zero. Contains zeros when read.	
4:0	CHANNEL0	Channel 0 gain/attenuation. Setting the gain above +7 is not supported. A 5 bit number; the MSB is a sign bit, the others are magnitude:	
		<b>Binary (Decimal)</b>	<b>Result</b>
		11111 (-16)	Maximum attenuation
		11110 (-14)	-84 dB
		...	...
		10001 (-1)	-6 dB
		10000 (0)	0 dB
		00000 (0)	0 dB
		00001 (+1)	+6 dB
		...	...
		00111 (+7)	+42 dB (maximum gain)
		01000 (+8)	Reserved
		...	...
		...	...
01111 (+15)	Reserved		

**8.10.3 Stereo Master Clock (STEREO\_MASTER\_CLOCK)**

Address: 0x180B0008

Access: Read/Write

Reset: 0x0

This register is used to configure the stereo block.

Bit	Bit Name	Description
31:1	RES	Reserved. Must be written with zero. Contains zeros when read.
15:0	MCK_SEL	Master clock select

**8.10.4 Tx Sample Counter (STEREO\_TX\_SAMPLE\_CNT\_LSB)**

Address: 0x180B000C

Access: Read/Write

Reset: 0x0

This register counts the number of Tx samples transmitted by stereo. This register holds the 16 LSBs of the sample counter.

Bit	Bit Name	Description
31:16	CH1	Holds the 16 LSBs of Tx CH1 sample counter
15:0	CH0	Holds the 16 LSBs of Tx CH0 sample counter; also, these are the 16 LSBs of the sample counter

**8.10.5 Tx Sample Counter (STEREO\_TX\_SAMPLE\_CNT\_MSB)**

Address: 0x180B0010

Access: Read/Write

Reset: 0x0

This register counts the number of Tx samples transmitted by stereo. This register holds only the 16 MSBs of the sample counter.

Bit	Bit Name	Description
31:16	CH1	Holds the 16 MSBs of Tx CH1 sample counter
15:0	CH0	Holds the 16 MSBs of Tx CH0 sample counter; also, these are the 16 LSBs of the sample counter

**8.10.6 Rx Sample Counter (STEREO\_RX\_SAMPLE\_CNT\_LSB)**

Address: 0x180B0014

Access: Read/Write

Reset: 0x0

This register counts the number of Rx samples transmitted by stereo. This register holds only the 16 LSBs of the sample counter.

Bit	Bit Name	Description
31:16	CH1	Holds the 16 LSBs of Rx CH1 sample counter
15:0	CH0	Holds the 16 LSBs of Rx CH0 sample counter

**8.10.7 Rx Sample Counter (STEREO\_RX\_SAMPLE\_CNT\_MSB)**

Address: 0x180B0018

Access: Read/Write

Reset: 0x0

This register counts the number of Rx samples transmitted by stereo. This register holds only the 16 MSBs of the sample counter.

Bit	Bit Name	Description
31:16	CH1	Holds the 16 MSBs of Rx CH1 sample counter
15:0	CH0	Holds the 16 MSBs of Rx CH0 sample counter

## 8.11 MDIO Registers

Table 8-12 summarizes the BOOT MDIO registers for the AR9344.

Table 8-12. **BOOT MDIO Registers Summary**

Address	Name	Description	Page
0x180B8000 - 0180B801C	MDIO_REG	MDIO APBs	page 208
0x180B8020	MDIO_ISR	MDIO Interrupt	page 208
0x180B8024	MDIO_PHY_ADDR	MDIO Slave PHY Addresses	page 208

### 8.11.1 MDIO APB Registers (MDIO\_REG)

MDIO\_REG0 Address: 0x180B8000  
 MDIO\_REG1 Address: 0x180B8004  
 MDIO\_REG2 Address: 0x180B8008  
 MDIO\_REG3 Address: 0x180B800C  
 MDIO\_REG4 Address: 0x180B8010  
 MDIO\_REG5 Address: 0x180B8014  
 MDIO\_REG6 Address: 0x180B8018  
 MDIO\_REG7 Address: 0x180B801C

Each register contains MDIO master data.

Access: Read/Write

Reset: 0x0

Bit	Bit Name	Type	Reset	Description
31:16	RES	RO	0x0	Reserved. Must be written with zero. Contains zeros when read.
15:0	VALUE	RW	0x0	MDIO master data

### 8.11.2 MDIO Interrupt (MDIO\_ISR)

Address: 0x180B8020

Access: Read to clear

Reset: 0x0

This register denotes the registers modified by the external host.

Bit	Bit Name	Type	Reset	Description
31:8	RES	RO	0x0	Reserved. Must be written with zero. Contains zeros when read.
7:0	REGS	RCLR	0x0	Registers modified by the external host. One bit per register. (individual bits)

### 8.11.3 MDIO Slave PHY Addresses (MDIO\_PHY\_ADDR)

Address: 0x180B8024

Access: Read/Write

Reset: 0x0

This register denotes the address of the MDIO slave.

Bit	Bit Name	Type	Reset	Description
31:3	RES	RO	0x0	Reserved. Must be written with zero. Contains zeros when read.
2:0	VALUE	RW	0x7	Address of the MDIO Slave



## 8.12 PCIE RC Control Registers

Table 8-13 summarizes the PCIE RC control registers for the AR9344.

**Table 8-13. PCIE RC Registers Summary**

Address	Name	Description	Page
0x180F0000	PCIE_APP	PCIE Application Control	<a href="#">page 210</a>
0x180F0004	PCIE_AER	PCIE Interrupt and Error	<a href="#">page 210</a>
0x180F0008	PCIE_PWR_MGMT	PCIE Power Management	<a href="#">page 211</a>
0x180F000C	PCIE_ELEC	PCIE Electromechanical	<a href="#">page 211</a>
0x180F0010	PCIE_CFG	PCIE Configuration	<a href="#">page 212</a>
0x180F0014	PCIE_RX_CNTL	PCIE Receive Completion	<a href="#">page 212</a>
0x180F0018	PCIE_RESET	PCIE Reset	<a href="#">page 213</a>
0x180F002C	PCIE_PHY_CFG_DATA	PCIE PHY Configuration Data	<a href="#">page 213</a>
0x180F0030	PCIE_MAC_PHY	PCIE MAC-PHY Interface Signals	<a href="#">page 213</a>
0x180F0034	PCIE_PHY_MAC	PCIE PHY-MAC Interface Signals	<a href="#">page 214</a>
0x180F0038	PCIE_SIDEHAND1	PCIE Sideband Bus1	<a href="#">page 214</a>
0x180F003C	PCIE_SIDEHAND2	PCIE Sideband Bus2	<a href="#">page 214</a>
0x180F0044	PCIE_MSI_ADDR	PCIE MSI Lower Address	<a href="#">page 215</a>
0x180F0048	PCIE_MSI_DATA	PCIE MSI Data Value	<a href="#">page 215</a>
0x180F004C	PCIE_INT_STATUS	PCIE Interrupt Status	<a href="#">page 216</a>
0x180F0050	PCIE_INT_MASK	PCIE Interrupt Mask	<a href="#">page 217</a>

### 8.12.1 PCIE Application Control (PCIE\_APP)

Address: 0x180F0000

Access: Read/Write

Reset: See field description

This register is used to map error responses and generate unlock messages.

Bit	Bit Name	Reset	Description				
31:12	RES	0x0	Reserved. Must be written with zero. Contains zeros when read.				
11:6	SLV_RESP_ERR_MAP	0x3F	AHB slave response error map. This signal allows the application to select a slave response error report mechanism received from a PCIE completion. There are six kinds of PCIE completion errors that the core can report to the AHB interface. The application can choose to not assert the AHB response error as a slave. 6 bits == {completion_tlp_abort, completion_ecrc, completion_ep, completion_crs, completion_ca, completion_ur}, where: <table border="1" style="margin-left: 20px;"> <tr> <td>0</td> <td>SLVERR</td> </tr> <tr> <td>1</td> <td>DECERR</td> </tr> </table>	0	SLVERR	1	DECERR
0	SLVERR						
1	DECERR						
5:4	MSTR_RESP_ERR_MAP	0x0	AHB master response error map. This signal allows the application to select a master response error report mechanism received from an AHB response channel to the CPL status of native PCIE core transmissions. MSB is not currently used. <ul style="list-style-type: none"> <li>■ When the LSB is set to 1, it will set an AHB response error to a UR of a PCIE completion.</li> <li>■ When the LSB is set to 0, it will set an AHB response error to a CA of a PCIE completion:</li> </ul> 2 bits == {decerr, slverr} <table border="1" style="margin-left: 20px;"> <tr> <td>0</td> <td>ERR goes to completed aborts</td> </tr> <tr> <td>1</td> <td>ERR goes to unsupported requests</td> </tr> </table>	0	ERR goes to completed aborts	1	ERR goes to unsupported requests
0	ERR goes to completed aborts						
1	ERR goes to unsupported requests						
3	INIT_RST	0x0	Application request to initiate a training reset				
2	PM_XMT_TURN_OFF	0x0	Application signal to generate PM turnoff messages for power management				
1	UNLOCK_MSG	0x0	Application signal to generate unlock message. This is to support legacy PCI Lock transactions. If the RC has sent a lock transaction it would need to assert this signal to unlock the path through the PCIE fabric which is locked.				
0	LTSSM_ENABLE	0x0	Application signal to enable the LTSSM. If set to zero, it indicates that the application is not ready.				

### 8.12.2 PCIE Interrupt and Error (PCIE\_AER)

Address: 0x180F0004

Access: Read-Only

Reset: 0x0

Bit	Bit Name	Description
31:5	RES	Reserved
4:0	INT_MSG_NUM	Advanced error interrupt message number Used when MSI or MSI-X is enabled

### 8.12.3 PCIE Power Management (PCIE\_PWR\_MGMT)

Address: 0x180F0008

Access: See field description

Reset: 0x0

Bit	Bit Name	Access	Description
31:5	RES	RW	Reserved
4	AUX_PM_EN	RO	AUX power PM enable; enable device to draw auxiliary power independent of PME AUX power
3	READY_ENTR_L23	RW	Indication from the application that it is ready to enter the L2/L3 state
2	REQ_EXIT_L1	RW	Request from the application to exit ASPM state L1, only effective if L1 is enabled
1	REQ_ENTRY_L1	RW	Capability for applications to request PM state to enter L1; only effective if ASPM of L1 is enabled
0	AUX_PWR_DET	RW	Auxiliary power detected; indicates that auxiliary power is present

### 8.12.4 PCIE Electromechanical (PCIE\_ELEC)

Address: 0x180F000C

Access: See field description

Reset: 0x0

Bit	Bit Name	Access	Description				
31:3	RES	RW	Reserved				
2	SYS_ATTEN_BUTTON_PRESSED	RW	Attention button pressed. Indicates that the system attention button was pressed, sets the attention button pressed bit in the Slot Status register				
1	CLK_REQ_N	RO	Clock enable Allows the application clock generation module to turn off CORE_CLK based on the current power management state: <table border="1" data-bbox="711 1255 1425 1339"> <tr> <td>0</td> <td>CORE_CLK must be active for the current power state</td> </tr> <tr> <td>1</td> <td>Current power state allows CORE_CLK to be shut down</td> </tr> </table>	0	CORE_CLK must be active for the current power state	1	Current power state allows CORE_CLK to be shut down
0	CORE_CLK must be active for the current power state						
1	Current power state allows CORE_CLK to be shut down						
0	WAKE_N	RO	Wake up from power management unit. PCIE RC core generates WAKE_L to request the system to restore power and clock when a beacon has been detected. Assertion of WAKE_L could be a clock or multiple clock cycles.				

### 8.12.5 PCIE Configuration (PCIE\_CFG)

Address: 0x180F0010

Access: Read-Only

Reset: 0x0

Bit	Bit Name	Description
31:26	RES	Reserved. Must be written with zero. Contains zeros when read.
25	EML_CONTROL	The electromechanical interlock control. This bit denotes the state of the Electromechanical Interlock Control bit in the slot control register.
24	PWR_CTRLER_CTRL	The power controller control. This bit controls the system power controller (from bit [10] of the Slot Control register in the PCIE RC).
23:22	ATTEN_IND	The attention indicator control. These bits control the system attention indicator (from bits [7:6] of the Slot Control register in the PCIE RC).
21:17	PBUS_DEV_NUM	The configured device number. These bits denotes the device number assigned to the device.
16:9	PBUS_NUM	The configured primary bus number. These bits denote the primary bus number assigned to the device.
8	RCB	The read completion boundary (RCB). This bit denotes the value of the RCB bit in the Link Control register in the PCIE RC.
7:5	MAX_PAYLOAD_SIZE	The maximum payload size. This bit denotes the value of the MAX_PAYLOAD_SIZE field in the Device Control register in the PCIE RC.
4:2	MAX_RDREQ_SIZE	The maximum read request size. This bit denotes the value of the MAX_READ_REQUEST_SIZE field in the Device Control register in the PCIE RC.
1	MEM_SPACE_EN	Memory space enable. This bit denotes the state of the Memory Space Enable bit in the PCI-compatible Command register in the PCIE RC.
0	BUS_MASTER_EN	Bus master enable. This bit denotes the state of the Bus Master Enable bit in the PCI-compatible Command register in the PCIE RC.

### 8.12.6 PCIE Receive Completion (PCIE\_RX\_CNTL)

Address: 0x180F0014

Access: Read-Only

Reset: 0x0

This register is used to denote the field values related to the completion timeout of the PCIE.

Bit	Bit Name	Description
31:29	RES	Reserved. Must be written with zero. Contains zeros when read.
28:21	TIMEOUT_CPL_TAG	The tag field of the timed out completion. This bit is only valid when the PCIE core Rx timeout signal is asserted
20:9	TIMEOUT_CPL_LEN	The length field of the timed out completion. This bit is only valid when the PCIE core Rx timeout signal is asserted.
8:7	TIMEOUT_CPL_ATTR	The attributes field of the timed out completion. This bit is only valid when the PCIE core Rx timeout signal is asserted.
6:4	TIMEOUT_CPL_TC	The traffic class of the timed out completion. This bit is valid when the PCIE core Rx timeout signal is asserted.
3:1	TIMEOUT_FN_NUM	The function number of the timed out completion. This bit is valid when the PCIE core Rx timeout signal is asserted.
0	CPL_TIMEOUT	The completion timeout. This bit indicates that the completion TLP for a request has not been received within the expected time window.

### 8.12.7 PCIE Reset (PCIE\_RESET)

Address: 0x180F0018

Access: Read/Write

Reset: See field description

This register is used to set the bits for the PCIE reset.

Bit	Bit Name	Reset	Description	
31:3	RES	0x0	Reserved. Must be written with zero. Contains zeros when read.	
2	EP_RESET_L	0x1	The reset bit for indicating an endpoint reset through the PCIE PHY	
1	LINK_REQ_RESET	0x0	The reset request due to a Link down status. A high-to-low transition indicates that the RC Core is requesting external logic to reset the RC Core because the PHY link is down.	
0	LINK_UP	0x0	Indicates if the PHY link is up or down	
			0	Link is down
			1	Link is up

### 8.12.8 PCIE PHY Configuration Data (PCIE\_PHY\_CFG\_DATA)

Address: 0x180F002C

Access: Read/Write

Reset: See field description

This register holds the PCIE PHY configuration data.

Bit	Bit Name	Reset	Description
31:0	PHY_CFG_DATA	0x5	The PCIE PHY configuration data

### 8.12.9 PCIE MAC-PHY Interface Signals (PCIE\_MAC\_PHY)

Address: 0x180F0030

Access: Read-Only

Reset: See field description

This register is used to denote the interface signals for the MAC-PHY interface.

Bit	Bit Name	Description	
31:24	RES	Reserved. Must be written with zero. Contains zeros when read.	
23:22	PWRDOWN	The power control. Power control bits to the PHY. The MAC_PHY_POWERDOWN is a 2-bit signal that is shared by all Lanes.	
		00	P0 (L0: normal)
		01	P0s (L0s: Low recovery time, power saving)
		10	P1 (L1: longer recovery time, additional power saving)
		11	P2 (L2: lowest power state)
21	RXPOLARITY	Inverted polarity on receive. This bit directs the PHY to perform a polarity inversion on the received data on the specified Lanes.	
20	TXCOMPLIANCE	The transmit compliance pattern. This bit sets the running disparity to negative. This is used when the transmitting compliance is patterned.	
19	TXELECIDLE	The electrical idle transmit. This bit forces the transmit output to Electrical Idle for each Lane on which is it asserted.	
18	TXDETRX_LOOPBACK	The combined loopback and transmit detection control	
17:16	TXDATAK	The control indicator for the transmit data	
15:0	TXDATA	Parallel data for transmission. Bits [7:0] correspond to the first symbol of Lane 0. Bits [15:8] correspond to the second symbol of Lane 0. (16-bit PHY interface)	

**8.12.10 PCIE PHY-MAC Interface Signals (PCIE\_PHY\_MAC)**

Address: 0x180F0034

Access: Read-Only

Reset: 0x0

This register is used to denote the interface signals for the PHY-MAC interface.

Bit	Bit Name	Description
31:24	RES	Reserved. Must be written with zero. Contains zeros when read.
23	RXVALID	Receive data invalid. Indicates the symbol lock and valid data for each lane.
22	PHYSTATUS	The PHY status. This bit communicates completion of the PHY functions including power management transitions and receiver detection
21:19	RXSTATUS	The receive status and error codes for each lane
		000 Received data OK
		001 1 SKP added
		010 1 SKP removed
		011 Receiver detected
		100 8b/10b decode error
		101 Elastic buffer overflow
		110 Elastic buffer underflow
111 Receive disparity error		
18	RXELECIDLE	Electrical Idle Receive. This bit indicates the receiver detection of an electrical idle for each lane
17:16	RXDATAK	The control indicator for the receive data.
15:0	RXDATA	The parallel receive data. Bits [7:0] correspond to the first symbol of Lane 0. Bits [15:8] correspond to the second symbol of Lane 0. (16-bit PHY interface)

**8.12.11 PCIE Sideband Bus1 (PCIE\_SIDEBAND1)**

Address: 0x180F0038

Access: Read-Only

Reset: 0x0

This register is used to control additional PHY purposes.

Bit	Bit Name	Description
31:0	CFG_PHY_CONTROL	The output bus that can be used for additional PHY control purposes. The CFG_PHY_CONTROL bus maps to the PHY Control register.

**8.12.12 PCIE Sideband Bus2 (PCIE\_SIDEBAND2)**

Address: 0x180F003C

Access: Read-Only

Reset: 0x0

This register is used to read the PHY status from the PCIE-PHY.

Bit	Bit Name	Description
31:0	PHY_CFG_STATUS	Used to read the PHY status from the PCIE-PHY. The PHY_CFG_STATUS bus maps to the PHY Status register.

**8.12.13 PCIE MSI Lower Address (PCIE\_MSI\_ADDR)**

Address: 0x180F0044

Access: Read/Write

Reset: 0x0

This register holds the lower address for the MSI.

Bit	Bit Name	Description
31:0	LADDR	The lower address register for the MSI

**8.12.14 PCIE MSI Data Value (PCIE\_MSI\_DATA)**

Address: 0x180F0048

Access: Read/Write

Reset: 0x0

This register is used to hold the data for the MSI including vector.

Bit	Bit Name	Description
31:16	RES	Reserved. Must be written with zero. Contains zeros when read.
15:0	VALUE	These bits hold the data for the MSI including vector [4:0]. The pattern assigned by the system software.

**8.12.15 PCIE Interrupt Status (PCIE\_INT\_STATUS)**

Address: 0x180F004C

Access: See field description

Reset: 0x0

This register is used to generate interrupts from PCIE functions or errors.

Bit	Bit Name	Type	Description
31:26	RES	RO	Reserved. Must be written with zero. Contains zeros when read.
25:22	MSI_VEC	RW	Indicates which MSI interrupt has happened
21	CPU_INTD	RO	The status bit to indicate that an INTD assertion has occurred and the client needs to send a deassert interrupt
20	CPU_INTC	RO	The status bit to indicate that an INTC assertion has occurred and the client needs to send a deassert interrupt
19	CPU_INTB	RO	The status bit to indicate that an INTB assertion has occurred and the client needs to send a deassert interrupt
18	CPU_INTA	RO	The status bit to indicate that an INTA assertion has occurred and the client needs to send a deassert interrupt
17	INTDL	RO	The level triggered assertion and deassertion of INTD virtual wire used for PCI 3.0 compatible INTx
16	INTCL	RO	The level triggered assertion and deassertion of INTC virtual wire used for PCI 3.0 compatible INTx
15	INTBL	RO	The level triggered assertion and deassertion of INTB virtual wire used for PCI 3.0 compatible INTx
14	INTAL	RO	The level triggered assertion and deassertion of INTA virtual wire used for PCI 3.0 compatible INTx
13	SYS_ERR	RW	A system error. The RC Core asserts CFG_SYS_ERR_RC if any device in the hierarchy reports any of the following errors and the associated enable bit is set in the Root Control register: ERR_COR, ERR_FATAL, ERR_NONFATAL.
12	AER_MSI_INT	RW	AER MSI interrupt; set if MSI interrupt is enabled and an AER occurs
11	AER_INT	RW	The AER interrupt
10	MSI_ERR	RW	The interrupt generated by an MSI error
9	MSI	RW	The interrupt caused by the MSI
8	INTD	RW	The edge-triggered INTD virtual wire used for the PCI 3.0 compatible INTx emulation
7	INTC	RW	The edge-triggered INTC virtual wire used for the PCI 3.0 compatible INTx emulation
6	INTB	RW	The edge-triggered INTB virtual wire used for the PCI 3.0 compatible INTx emulation
5	INTA	RW	The edge-triggered INTA virtual wire used for PCI 3.0 compatible INTx emulation
4	RADMX_COMP_LOOKUP_ERR	RW	The RADMX response composer TAG lookup error. This is a fatal error condition.
3	GM_COMP_LOOKUP_ERR	RW	GM response composer TAG lookup error. This is a fatal error condition.
2	FATAL_ERR	RW	The received fatal error message. One clock cycle pulse that indicates that the RC core received an ERR_FATAL message
1	NONFATAL_ERR	RW	The received non-fatal error message. One clock cycle pulse that indicates that the RC core received an ERR_NONFATAL message
0	CORR_ERR	RW	The received correctable error message. One clock cycle pulse that indicates that the RC core received an ERR_COR message.



### 8.12.16 PCIe Interrupt Mask (PCIE\_INT\_MASK)

Address: 0x180F0050

Access: See field description

Reset: 0x0

This register is used to selectively enable or disable propagation of interrupts.

Bit	Bit Name	Type	Description
31:18	RES	RO	Reserved. Must be written with zero. Contains zeros when read.
17	INTDL	RO	The level triggered assertion and deassertion of INTD virtual wire used for PCI 3.0 compatible INTx
16	INTCL	RO	The level triggered assertion and deassertion of INTC virtual wire used for PCI 3.0 compatible INTx
15	INTBL	RO	The level triggered assertion and deassertion of INTB virtual wire used for PCI 3.0 compatible INTx
14	INTAL	RO	The level triggered assertion and deassertion of INTA virtual wire used for PCI 3.0 compatible INTx
13	SYS_ERR	RW	A system error. The RC Core asserts CFG_SYS_ERR_RC if any device in the hierarchy reports any of the following errors and the associated enable bit is set in the Root Control register: ERR_COR, ERR_FATAL, ERR_NONFATAL.
12	AER_MSI	RW	AER MSI interrupt
11	AER_INT	RW	The AER interrupt
10	MSI_ERR	RW	The interrupt generated by an MSI error
9	MSI	RW	The interrupt caused by the MSI
8	INTD	RW	The edge-triggered INTD virtual wire used for the PCI 3.0 compatible INTx emulation
7	INTC	RW	The edge-triggered INTC virtual wire used for the PCI 3.0 compatible INTx emulation
6	INTB	RW	The edge-triggered INTB virtual wire used for the PCI 3.0 compatible INTx emulation
5	INTA	RW	The edge-triggered INTA virtual wire used for PCI 3.0 compatible INTx emulation
4	RADMX_COMP_LOOKUP_ERR	RW	The RADMX response composer TAG lookup error. This is a fatal error condition.
3	GM_COMP_LOOKUP_ERR	RW	GM response composer TAG lookup error. This is a fatal error condition.
2	FATAL_ERR	RW	The received fatal error message. One clock cycle pulse that indicates that the RC core received an ERR_FATAL message
1	NONFATAL_ERR	RW	The received non-fatal error message. One clock cycle pulse that indicates that the RC core received an ERR_NONFATAL message
0	CORR_ERR	RW	The received correctable error message. One clock cycle pulse that indicates that the RC core received an ERR_COR message.

### 8.13 WDMA Registers

Table 8-14 shows the mapping of the general DMA and Rx-related (WMAc interface) registers.

Table 8-14. **WDMA Registers**

Offset	Name	Description	Page
0x18100008	CR	Command	page 219
0x18100014	CFG	Configuration and Status	page 219
0x18100018	RXBUFPTR_THRESH	Rx DMA Data Buffer Pointer Threshold	page 220
0x1810001C	TXDPPTR_THRESH	Tx DMA Descriptor Pointer Threshold	page 220
0x18100020	MIRT	Maximum Interrupt Rate Threshold	page 220
0x18100024	IER	Interrupt Global Enable	page 221
0x18100028	TIMT	Tx Interrupt Mitigation Thresholds	page 221
0x1810002C	RIMT	Rx Interrupt Mitigation Thresholds	page 221
0x18100030	TXCFG	Transmit Configuration	page 222
0x18100034	RXCFG	Receive Configuration	page 222
0x18100040	MIBC	MIB Control	page 223
0x18100064	GTT	Global Transmit Timeout	page 223
0x18100068	GTTM	Global Transmit Timeout Mode	page 223
0x1810006C	CST	Carrier Sense Timeout	page 224
0x18100070	RXDP_SIZE	Size of High and Low Priority	page 224
0x18100074	RX_QUEUE_HP_RXDP	Lower 32 bits of MAC Rx High Priority Queue RXDP Pointer	page 224
0x18100078	RX_QUEUE_LP_RXDP	Lower 32 bits of MAC Rx Low Priority Queue RXDP Pointer	page 224
0x18100080	ISR_P	Primary Interrupt Status	page 225
0x18100084	ISR_S0	Secondary Interrupt Status 0	page 226
0x18100088	ISR_S1	Secondary Interrupt Status 1	page 226
0x1810008C	ISR_S2	Secondary Interrupt Status 2	page 227
0x18100090	ISR_S3	Secondary Interrupt Status 3	page 228
0x18100094	ISR_S4	Secondary Interrupt Status 4	page 228
0x18100098	ISR_S5	Secondary Interrupt Status 5	page 228
0x181000A0	IMR_P	Primary Interrupt Mask	page 229
0x181000A4	IMR_S0	Secondary Interrupt Mask 0	page 230
0x181000A8	IMR_S1	Secondary Interrupt Mask 1	page 230
0x181000AC	IMR_S2	Secondary Interrupt Mask 2	page 231
0x181000B0	IMR_S3	Secondary Interrupt Mask 3	page 231
0x181000B4	IMR_S4	Secondary Interrupt Mask 4	page 232
0x181000B8	IMR_S5	Secondary Interrupt Mask 5	page 232
0x181000C0	ISR_P_RAC	Primary Interrupt Status Read-and-Clear	page 232
0x181000C4	ISR_S0_S	Secondary Interrupt Status 0 (Shadow Copy)	page 233
0x181000C8	ISR_S1_S	Secondary Interrupt Status 1 (Shadow Copy)	page 233
0x181000D0	ISR_S2_S	Secondary Interrupt Status 2 (Shadow Copy)	page 233
0x181000D4	ISR_S3_S	Secondary Interrupt Status 3 (Shadow Copy)	page 233
0x181000D8	ISR_S4_S	Secondary Interrupt Status 4 (Shadow Copy)	page 233
0x181000DC	ISR_S5_S	Secondary Interrupt Status 5 (Shadow Copy)	page 233

### 8.13.1 Command (CR)

Offset: 0x18100008

Access: Read/Write

Reset: 0x0

Bit	Bit Name	Description
31:7	RES	Reserved
6	SWI	Software interrupt; this bit is one-shot/auto-cleared, so it always reads as 0
5	RXD	Rx disabled
4	RES	Reserved
3	RXE_HP	Receive enabled; this read-only bit indicates RxDMA status for HP frames. Set when software writes to the RxBP register and cleared when RxDMA runs out of RxBP or when RxD is asserted.
2	RXE_LP	Receive enabled; this read-only bit indicates RxDMA status for LP frames. Set when software writes to RXBUFPTR_THRESH register and cleared when RxDMA runs out of RXBUFPTR_THRESH or when RxD is asserted.
1:0	RES	Reserved

### 8.13.2 Configuration and Status (CFG)

Offset: 0x18100014

Access: Read/Write

Reset: See field description

Bit	Bit Name	Reset	Description	
31:19	RES	0x0	Reserved	
18:17	FULL_THRESHOLD	0x0	PCIE core master request queue full threshold	
			0	Use default value of 4
			3:1	Use indicated value
16:13	RES	0x0	Reserved	
12	CFG_HALT_ACK	0x0	DMA halt status	
			0	DMA has not yet halted
			1	DMA has halted
11	CFG_HALT_REQ	0x0	DMA halt in preparation for reset request	
			0	DMA logic operates normally
			1	Request DMA logic to stop so software can reset the MAC Bit [12] indicates when the halt has taken effect; the DMA halt is not recoverable; once software sets bit [11] to request a DMA halt, software must wait for bit [12] to be set and reset the MAC.
10	CFG_CLKGATE_DIS	0x0	Clock gating disable	
			0	Allow clock gating in all DMA blocks to operate normally
			1	Disable clock gating in all DMA blocks (for debug use)
9:6	RES	0x0	Reserved	
5	REG_CFG_ADHOC	0x0	AP/ad hoc indication	
			0	AP mode: MAC is operating either as an access point (AP) or as a station (STA) in a BSS
			1	Ad hoc mode: MAC is operating as a STA in an independent basic service set (IBSS)
4	MODE_MMR	0x0	Byteswap register access (MMR) data words	
3	MODE_RCV_DATA	0x0	Byteswap Rx data buffer words	
2	MODE_RCV_DESC	0x0	Byteswap Rx descriptor words	
1	MODE_XMIT_DATA	0x0	Byteswap Tx data buffer words	
0	MODE_XMIT_DESC	0x0	Byteswap Tx descriptor words	

**8.13.3 Rx DMA Data Buffer Pointer Threshold (RXBUFPTR\_THRESH)**

Offset: 0x18100018

Access: Read/Write

Reset: 0x0

Bit	Bit Name	Description
31:15	RES	Reserved
14:8	LP_DATA	Indicates the Rx DMA data buffer pointer threshold. An interrupt will be asserted (if enabled) if the number of available data buffer pointers is less than this threshold. There is a separate threshold for high and low priority buffers.
7:4	RES	Reserved
3:0	HP_DATA	Indicates the Rx DMA data buffer pointer threshold. An interrupt will be asserted (if enabled) if the number of available data buffer pointers is less than this threshold. The high and low priority buffers have separate thresholds.

**8.13.4 Tx DMA Descriptor Pointer Threshold (TXDPPTR\_THRESH)**

Offset: 0x1810001C

Access: Read/Write

Reset: 0x0

Bit	Bit Name	Description
31:4	RES	Reserved
3:0	DATA	Indicates the Tx DMA descriptor pointer threshold. An interrupt will be asserted (if enabled) if the number of available descriptor pointers for any of the 10 queues is less than this threshold.

**8.13.5 Maximum Interrupt Rate Threshold (MIRT)**

Offset: 0x18100020

Access: Read/Write

Reset: 0x0

Bit	Bit Name	Description
31:16	RES	Reserved
15:0	INTR_RATE_THRESH	Maximum interrupt rate threshold This register is described in $\mu$ s up to a maximum of 65.535 ms. If this register is 0x0, the interrupt mitigation mechanism is disabled. The maximum interrupt rate timer is started when either the TXINTM or RXINTM status bits are set. TXMINTR or RXMINTR are asserted at this time. No future TXINTM or RXINTM events can cause the TXMINTR or RXMINTR to be asserted until this timer has expired. If both the TXINTM and RXINTM status bits are set while the timer is expired then the TXMINTR and RXMINTR will round robin between the two.

### 8.13.6 Interrupt Global Enable (IER)

Offset: 0x18100024

Access: Read/Write

Reset: 0x0

Bit	Bit Name	Description
31:1	RES	Reserved
0	REG_IER	Enable hardware signaling of interrupts

### 8.13.7 Tx Interrupt Mitigation Thresholds (TIMT)

Offset: 0x18100028

Access: Read/Write

Reset: 0x0

Bit	Bit Name	Description
31:16	TX_FIRST_PKT_THRESH	<p>Tx first packet threshold</p> <p>This register is in <math>\mu</math>s up to a maximum of 65.535 ms. If this register is 0x0, the interrupt mitigation mechanism is disabled. The Tx first packet timer starts counting after any Tx completion. If the timer is still counting when the next Tx completion occurs, it resets and starts over. The first Tx packet timer expires when either the last Tx packet threshold equals the last Tx packet timer count or the first Tx packet threshold equals the first Tx packet timer count.</p>
15:0	TX_LAST_PKT_THRESH	<p>Tx last packet threshold</p> <p>This register is in <math>\mu</math>s up to a maximum of 65.535 ms. If this register is 0x0, the interrupt mitigation mechanism is disabled. The Tx last packet timer starts counting after any Tx completion. If the timer is still counting when the next Tx completion occurs, it resets and starts over. The last Tx packet timer expires when either the last Tx packet threshold equals the last Tx packet timer count or the first Tx packet threshold equals the first Tx packet timer count.</p>

### 8.13.8 Rx Interrupt Mitigation Thresholds (RIMT)

Offset: 0x1810002C

Access: Read/Write

Reset: Undefined

Bit	Bit Name	Description
31:16	RX_FIRST_PKT_THRESH	<p>Receive first packet threshold</p> <p>This register is in <math>\mu</math>s up to a maximum of 65.535 ms. If this register is 0x0, the interrupt mitigation mechanism is disabled. The Rx first packet timer starts counting after any receive completion. If the timer is still counting when the next receive completion occurs, it resets and starts over. The first receive packet timer expires when either the last receive packet threshold equals the last receive packet timer count or the first receive packet threshold equals the first receive packet timer count.</p>
15:0	RX_LAST_PKT_THRESH	<p>Receive last packet threshold</p> <p>This register is in <math>\mu</math>s up to a maximum of 65.535 ms. If this register is 0x0, the interrupt mitigation mechanism is disabled. The Rx last packet timer starts counting after any receive completion. If the timer is still counting when the next receive completion occurs, it resets and starts over. The last receive packet timer expires when either the last receive packet threshold equals the last receive packet timer count or the first receive packet threshold equals the first receive packet timer count.</p>

**8.13.9 Tx Configuration (TXCFG)**

Offset: 0x18100030

Access: Read/Write

Reset: See field description

Bit	Bit Name	Reset	Description	
31:18	RES	0x0	Reserved	
17	DIS_RETRY_UNDERRUN	0x1	Disable retry of underrun packets	
			0	Underrun packets will retry indefinitely
			1	Underrun packets will quit after first underrun attempt and write status indicating underrun
16:10	RES	0x0	Reserved	
9:4	TXCFG_TRIGLVL	0x1	Frame trigger level Specifies the minimum number of bytes, in units of 64 bytes, which must be DMAed into the PCU TXFIFO before the PCU initiates sending the frame on the air. Resets to 0x1 (meaning 64 Bytes or a full frame, whichever occurs first).	
3	RES	0x0	Reserved	
2:0	TXCFG_DMA_SIZE	0x5	Maximum DMA request size for master reads	
			0	4 B
			1	8 B
			2	16 B
			3	32 B
			4	64 B
			5	128 B
			6	256 B
7	Reserved			

**8.13.10 Rx Configuration (RXCFG)**

Offset: 0x18100034

Access: Read/Write

Reset: See field description

Bit	Bit Name	Reset	Description	
31:5	RES	0x0	Reserved	
4:3	ZERO_LEN_DMA_EN	0x0	Zero-length frame DMA enable	
			0	Disable DMA of all zero-length frames. In this mode, the DMA logic suppresses all zero-length frames. Reception of zero-length frames is invisible to the host (they neither appear in host memory nor consume a Rx descriptor).
			1	Reserved
			2	Enable DMA of all zero-length frames. In this mode, all zero-length frames (chirps, double-chirps, and non-chirps) are DMAed into host memory just like normal (non-zero-length) frames.
			3	Reserved
2:0	DMA_SIZE	0x4	Maximum DMA size for master writes; (See the encodings for the register <a href="#">“Tx Configuration (TXCFG)”</a> on <a href="#">page 222</a> )	

### 8.13.11 MIB Control (MIBC)

Offset: 0x18100040

Access: Read/Write

Reset: See field description

Bit	Bit Name	Reset	Description	
31:4	RES	0x0	Reserved	
3	STROBE	0x0	MIB counter strobe. This bit is a one-shot and always reads as zero. For writes:	
			0	No effect
			1	Causes every MIB counter to increment by one
2	CLEAR	0x1	Clear all counters	
1	FREEZE	0x1	Freeze all counters	
0	RES	0x0	Reserved	

### 8.13.12 Global Tx Timeout (GTT)

Offset: 0x18100064

Access: Read/Write

Reset: 0x0

Bit	Bit Name	Description
31:16	LIMIT	Timeout limit (in TU: 1024 $\mu$ s); on reset, this value is set to 25 TU.
15:0	COUNT	Timeout counter (in TU: 1024 $\mu$ s) The current value of the timeout counter that is reset on every transmit. If no Tx frame is queued up and ready to transmit, the timeout counter stays at 0 or else the counter increments every 1024 $\mu$ s. If the timeout counter is equal to or greater than the timeout limit, the global transmit timeout interrupt is set in the ISR. This mechanism can be used to detect whether a Tx frame is ready and is unable to be transmitted.

### 8.13.13 Global Tx Timeout Mode (GTTM)

Offset: 0x18100068

Access: Read/Write

Reset: 0x0

Bit	Bit Name	Description
31:4	RES	Reserved
3	CST_USEC_STROBE	CST $\mu$ s strobe; if this bit is set, then the CST timer will not use the TU based strobe but rather use the $\mu$ s strobe to increment the timeout counter.
2	RESET_ON_CHAN_IDLE	Reset count on chan idle low. Reset count every time channel idle is low.
1	IGNORE_CHAN_IDLE	Ignore channel idle; if this bit is set then the GTT timer does not increment if the channel idle indicates the air is busy or NAV is still counting down.
0	USEC_STROBE	$\mu$ s strobe; if this bit is set then the GTT timer will not use the TU based strobe but rather use a $\mu$ s strobe to increment the timeout counter.

**8.13.14 Carrier Sense Timeout (CST)**

Offset: 0x1810006C

Access: Read/Write

Reset: 0x0

Bit	Bit Name	Description
31:16	LIMIT	Timeout limit (in TU: 1024 $\mu$ s). On reset, this value is set to 0 TU.
15:0	COUNT	Timeout counter (in TU: 1024 $\mu$ s) The current value of the timeout counter that is reset on every transmit. If no Tx frame is queued up and ready to transmit, the timeout counter stays at 0 or the counter increments every 1024 $\mu$ s. If the timeout counter is equal to or greater than the timeout limit then carrier sense timeout (CST) interrupt is set in the ISR. This counter starts counting if any queues are ready for Tx. It continues counting when RX_CLEAR is low, which is useful to determine whether the transmit is stuck because RX_CLEAR is low for a long time.

**8.13.15 Size of High and Low Priority (RXDP\_SIZE)**

Offset: 0x18100070

Access: Read-Only

Reset: 0x0

Bit	Bit Name	Description
31:13	RES	Reserved
12:8	HP	Indicates the size of high priority RXDP FIFO
7:0	LP	Indicates the size of low priority RXDP FIFO

**8.13.16 MAC Rx High Priority Queue RXDP Pointer (RX\_QUEUE\_HP\_RXDP)**

Offset: 0x18100074

Access: Read/Write

Reset: 0x0

Bit	Bit Name	Description
31:0	ADDR	MAC Rx high priority queue RXDP pointer

**8.13.17 MAC Rx Low Priority Queue RXDP Pointer (RX\_QUEUE\_LP\_RXDP)**

Offset: 0x18100078

Access: Read/Write

Reset: 0x0

Bit	Bit Name	Description
31:0	ADDR	MAC Rx low priority queue RXDP pointer



### 8.13.18 Primary Interrupt Status (ISR\_P)

Offset: 0x18100080

Access: Read/Write-One-to-Clear

Reset: 0x0

#### NOTE:

- The bits that are logical ORs of bits in the secondary ISRs are generated by logically ORing the secondary ISR bits after the secondary ISR bits have been masked with the appropriate bits from the corresponding secondary interrupt mask register.
- A write of one to a bit that is a logical OR of bits in a secondary ISR clears the secondary ISR bits from which the primary ISR bit is generated. E.g.: A write of a one to the TXOK bit (bit [6]) in ISR\_P clears all 10 TXOK bits in ISR\_S0 (bits [9:0] of “Secondary Interrupt Status 0 (ISR\_S0)”).
- Only the bits in this register (ISR\_P) and the primary interrupt mask register (“Primary Interrupt Mask (IMR\_P)”) control whether the MAC’s interrupt output is asserted. The bits in the several secondary interrupt status/mask registers control what bits are set in the primary interrupt status register; however, the IMR\_S\* registers do not determine whether an interrupt is asserted. That is, an interrupt is asserted only when the logical AND of ISR\_P and IMR\_P is non-zero. The secondary interrupt mask/status registers affect which bits are set in ISR\_P, but do not directly affect whether an interrupt is asserted.

Bit	Bit Name	Description
31	RXINTM	Rx completion interrupt after mitigation; either the first Rx packet or last Rx packet interrupt mitigation count has reached its threshold (see the register “Rx Interrupt Mitigation Thresholds (RIMT)” on page 221)
30	TXINTM	Tx completion interrupt after mitigation; either the first Tx packet or last Tx packet interrupt mitigation count has reached its threshold (see the register “Tx Interrupt Mitigation Thresholds (TIMT)” on page 221)
29	RES	Reserved
28	GENTMR	Logical OR of all GENERIC TIMER bits in the secondary ISR 5 which include the GENERIC_TIMER_TRIGGER[7:0], GENERIC_TIMER_THRESH[7:0], GENERIC_TIMER_OVERFLOW
27	QTRIG	Logical OR of all QTRIG bits in secondary ISR 4; indicates that at least one QCU's frame scheduling trigger event has occurred
26	QCBURN	Logical OR of all QCBURN bits in secondary ISR 3; indicates that at least one QCU's frame scheduling trigger event occurred when no frames were present on the queue
25	QCBROVF	Logical OR of all QCBROVF bits in secondary ISR 3; indicates that at least one QCU's CBR expired counter has reached the value of the QCU's CBR_OVR_THRESH parameter (see “CBR Configuration (Q_CBRCFG)” register bits [31:24])
24	RXMINTR	RXMINTR maximum receive interrupt rate; same as RXINTM with the added requirement that maximum interrupt rate count has reached its threshold; this interrupt alternates with TXMINTR.
23	BCNMISC	Miscellaneous beacon-related interrupts This bit is the Logical OR of the CST, GTT, TIM, CABEND, DTIMSYNCR, BCNTO, CABTO, TSFOOR, DTIM, and TBTT_TIME bits in secondary ISR 2.
22:21	RES	Reserved
20	BNR	Beacon not ready Indicates that the QCU marked as being used for beacons received a DMA beacon alert when the queue contained no frames.
19	TXMINTR	TXMINTR maximum Tx interrupt rate
18	BMISS	The PCU indicates that it has not received a beacon during the previous N (N is programmable) beacon periods
17	BRSSI	The PCU indicates that the RSSI of a beacon it has received has fallen below a programmable threshold
16	SWBA	The PCU has signalled a software beacon alert
15	RXKCM	Key cache miss; a frame was received with a set key cache miss Rx status bit
14	RXPHY	The PHY signalled an error on a received frame

Bit	Bit Name	Description
13	SWI	Software interrupt signalled; see the register “Command (CR)” on page 219
12	MIB	One of the MIB regs has reached its threshold
11	TXURN	Logical OR of all TXURN bits in secondary ISR 2. Indicates that the PCU reported a txfifo underrun for at least one QCU’s frame
10	TXEOL	Logical OR of all TXEOL bits in secondary ISR 1; indicates that at least one Tx desc fetch state machine has no more Tx descs available
9	RES	Reserved
8	TXERR	Logical OR of all TXERR bits in secondary ISR 1; indicates that at least one frame was completed with an error, regardless of whether the InterReq bit was set
7	RES	Reserved
6	TXOK	Logical OR of all TXOK bits in secondary ISR 0; indicates that at least one frame was completed with no errors and at the requested rate, regardless of whether the InterReq bit was set.
5	RXORN	RxFIFO overrun
4	RXEOL	Rx descriptor fetch logic has no more Rx descs available
3	RXNOFR	No frame was received for RXNOFR timeout clocks
2	RXERR	The frame was received with errors
1	RXOK_LP	Low priority frame was received with no errors
0	RXOK_HP	High priority frame was received with no errors

### 8.13.19 Secondary Interrupt Status 0 (ISR\_S0)

Offset: 0x18100084

Access: Read/Write-One-to-Clear

Reset: 0x0

Bit	Bit Name	Description
31:10	RES	Reserved
9	TXOK[9]	TXOK for QCU 9
...	...	...
1	TXOK[1]	TXOK for QCU 1
0	TXOK[0]	TXOK for QCU 0

### 8.13.20 Secondary Interrupt Status 1 (ISR\_S1)

Offset: 0x18100088

Access: Read/Write-One-to-Clear

Reset: 0x0

Bit	Bit Name	Description
31:26	RES	Reserved
25	TXEOL[9]	TXEOL for QCU 9
...	...	...
17	TXEOL[1]	TXEOL for QCU 1
16	TXEOL[0]	TXEOL for QCU 0
15:10	RES	Reserved
9	TXERR[9]	TXERR for QCU 9
...	...	...
1	TXERR[1]	TXERR for QCU 1
0	TXERR[0]	TXERR for QCU 0

### 8.13.21 Secondary Interrupt Status 2 (ISR\_S2)

Offset: 0x1810008C

Access: Read/Write-One-to-Clear

Reset: 0x0

Bit	Bit Name	Description
31	TBTT_TIME	TBTT-referenced timer interrupt; indicates the PCU's TBTT-referenced timer has elapsed.
30	TSFOOR	TSF out of range; indicates that the corrected TSF received from a beacon differs from the PCU's internal TSF by more than a (programmable) threshold
29	DTIM	A beacon was received with the DTIM bit set and a DTIM count value of zero. Beacons with a set DTIM bit but a non-zero DTIM count do not generate it.
28	CABTO	CAB timeout; a beacon was received that indicated that the STA should expect to receive CAB traffic. However, the PCU's CAB timeout expired either because the STA received no CAB traffic, or because the STA received some CAB traffic but never received a CAB frame with the more data bit clear in the frame control field (which would indicate the final CAB frame).
27	BCNTO	Beacon timeout; a TBTT occurred and the STA began waiting to receive a beacon, but no beacon was received before the PCU's beacon timeout expired
26	DTIMSYNC	DTIM synchronization lost; a beacon was received that was expected to be a DTIM but was not, or a beacon was received that was not expected to be a DTIM but was
25	CABEND	End of CAB traffic; a CAB frame was received with the more data bit clear in the frame control field
24	TIM	A beacon was received with the local STA's bit set in the TIM element
23	GTT	Global Tx timeout; indicates the GTT count $\geq$ than the GTT limit
22	CST	Carrier sense timeout; indicates the CST count $\geq$ than the CST limit
21:10	RES	Reserved
9	TXURN[9]	TXURN for QCU 9
...	...	...
1	TXURN[1]	TXURN for QCU 1
0	TXURN[0]	TXURN for QCU 0

**8.13.22 Secondary Interrupt Status 3 (ISR\_S3)**

Offset: 0x18100090

Access: Read/Write-One-to-Clear

Reset: 0x0

Bit	Bit Name	Description
31:26	RES	Reserved
25	QCBRURN[9]	QCBRURN for QCU 9
...	...	...
17	QCBRURN[1]	QCBRURN for QCU 1
16	QCBRURN[0]	QCBRURN for QCU 0
15:10	RES	Reserved
9	QCBROVF[9]	QCBROVF for QCU 9
1	QCBROVF[1]	QCBROVF for QCU 1
...	...	...
0	QCBROVF[0]	QCBROVF for QCU 0

**8.13.23 Secondary Interrupt Status 4 (ISR\_S4)**

Offset: 0x18100094

Access: Read/Write-One-to-Clear

Reset: 0x0

Bit	Bit Name	Description
31:10	RES	Reserved
9	QTRIG[9]	QTRIG for QCU 9
...	...	...
1	QTRIG[1]	QTRIG for QCU 1
0	QTRIG[0]	QTRIG for QCU 0

**8.13.24 Secondary Interrupt Status 5 (ISR\_S5)**

Offset: 0x18100098

Access: Read/Write-One-to-Clear

Reset: 0x0

**NOTE:** The trigger indicates that the TSF matched or exceeded the timer. The threshold is set when the TSF exceeds the timer by the `GENERIC_TIMER_THRESH` value. The `GENERIC_TIMER` overflow occurs when the TSF exceeds the timer by such a large amount that  $TSF \geq \text{Timer} + \text{Period}$ , indicating incorrect software programming. The `GENERIC_TIMER 0` threshold was removed because timer 0 is special and does not generate threshold event.

Bit	Bit Name	Description
31	GENERIC_TIMER[15]	GENERIC_TIMER 15 threshold
...	...	...
17	GENERIC_TIMER[11]	GENERIC_TIMER 1 threshold
16	GENERIC_TIMER_OVERFLOW	GENERIC_TIMER overflow
15	GENERIC_TIMER_TRIGGER[15]	GENERIC_TIMER 15 trigger
...	...	...
1	GENERIC_TIMER_TRIGGER[1]	GENERIC_TIMER 1 trigger
0	GENERIC_TIMER_TRIGGER[0]	GENERIC_TIMER 0 trigger

### 8.13.25 Primary Interrupt Mask (IMR\_P)

Offset: 0x181000A0  
 Access: Read/Write  
 Reset: 0x0

**NOTE:** Only the bits in this register control whether the MAC's interrupt outputs are asserted. The bits in the secondary interrupt mask registers control what bits are set in the "Primary Interrupt Mask (IMR\_P)" register; however, the IMR\_S\* registers do not determine whether an interrupt is asserted.

Bit	Bit Name	Description
31	RXINTM	RXINTM interrupt enable
30	TXINTM	TXINTM interrupt enable
29	RES	Reserved
28	GENTMR	GENTMR interrupt enable
27	QTRIG	QTRIG interrupt enable
26	QCBURN	QCBURN interrupt enable
25	QCBROVF	QCBROVF interrupt enable
24	RXMINTR	RXMINTR interrupt enable
23	BCNMISC	BCNMISC interrupt enable
22:21	RES	Reserved
20	BNR	BNR interrupt enable
19	TXMINTR	TXMINTR interrupt enable
18	BMISS	BMISS interrupt enable
17	BRSSI	BRSSI interrupt enable
16	SWBA	SWBA interrupt enable
15	RXKCM	RXKCM interrupt enable
14	RXPHY	RXPHY interrupt enable
13	SWI	SWI interrupt enable
12	MIB	MIB interrupt enable
11	TXURN	TXURN interrupt enable
10	TXEOL	TXEOL interrupt enable
9	TXNOFR	TXNOFR interrupt enable
8	TXERR	TXERR interrupt enable
7	RES	Reserved
6	TXOK	TXOK interrupt enable
5	RXORN	RXORN interrupt enable
4	RXEOL	RXEOL interrupt enable
3	RXNOFR	RXNOFR interrupt enable
2	RXERR	RXERR interrupt enable
1	RXOK_LP	RXOK_LP interrupt enable
0	RXOK_HP	RXOK_HP interrupt enable

**8.13.26 Secondary Interrupt Mask 0 (IMR\_S0)**

Offset: 0x181000A4

Access: Read/Write

Reset: 0x0

Bit	Bit Name	Description
31:10	RES	Reserved
9	TXOK[9]	TXOK for QCU 9 interrupt enable
...	...	...
1	TXOK[1]	TXOK for QCU 1 interrupt enable
0	TXOK[0]	TXOK for QCU 0 interrupt enable

**8.13.27 Secondary Interrupt Mask 1 (IMR\_S1)**

Offset: 0x181000A8

Access: Read/Write

Reset: 0x0

Bit	Bit Name	Description
31:26	RES	Reserved
25	TXEOL[9]	TXEOL for QCU 9 interrupt enable
...	...	...
17	TXEOL[1]	TXEOL for QCU 1 interrupt enable
16	TXEOL[0]	TXEOL for QCU 0 interrupt enable
15:10	RES	Reserved
9	TXERR[9]	TXERR for QCU 9 interrupt enable
...	...	...
1	TXERR[1]	TXERR for QCU 1 interrupt enable
0	TXERR[0]	TXERR for QCU 0 interrupt enable

**8.13.28 Secondary Interrupt Mask 2 (IMR\_S2)**

Offset: 0x181000AC

Access: Read/Write

Reset: 0x0

Bit	Bit Name	Description
31	TBTT_TIME	TBTT_TIME interrupt enable
30	TSFOOR	TSFOOR interrupt enable
29	DTIM	DTIM interrupt enable
28	CABTO	CABTO interrupt enable
27	BCNTO	BCNTO interrupt enable
26	DTIMSYNC	DTIMSYNC interrupt enable
25	CABEND	CABEND interrupt enable
24	TIM	TIM interrupt enable
23	GTT	GTT interrupt enable
22	CST	CST interrupt enable
21:10	RES	Reserved
9	TXURN[9]	TXURN for QCU 9 interrupt enable
...	...	...
1	TXURN[1]	TXURN for QCU 1 interrupt enable
0	TXURN[0]	TXURN for QCU 0 interrupt enable

**8.13.29 Secondary Interrupt Mask 3 (IMR\_S3)**

Offset: 0x181000B0

Access: Read/Write

Reset: 0x0

Bit	Bit Name	Description
31:26	RES	Reserved
25	QCBURN[9]	QCBURN for QCU 9 interrupt enable
...	...	...
17	QCBURN[1]	QCBURN for QCU 1 interrupt enable
16	QCBURN[0]	QCBURN for QCU 0 interrupt enable
15:10	RES	Reserved
9	QCBROVF[9]	QCBROVF for QCU 9 interrupt enable
...	...	...
1	QCBROVF[1]	QCBROVF for QCU 1 interrupt enable
0	QCBROVF[0]	QCBROVF for QCU 0 interrupt enable

**8.13.30 Secondary Interrupt Mask 4 (IMR\_S4)**

Offset: 0x181000B4

Access: Read/Write

Reset: 0x0

Bit	Bit Name	Description
31:10	RES	Reserved
9	QTRIG[9]	QTRIG for QCU 9 interrupt enable
...	...	...
1	QTRIG[1]	QTRIG for QCU 1 interrupt enable
0	QTRIG[0]	QTRIG for QCU 0 interrupt enable

**8.13.31 Secondary Interrupt Mask 5 (IMR\_S5)**

Offset: 0x181000B8

Access: Read/Write-One-to-Clear

Reset: 0x0

**NOTE:** The trigger indicates the TSF matched or exceeded the timer; threshold is set when the TSF exceeds the timer by the GENERIC\_TIMER\_THRESH value. The GENERIC\_TIMER overflow occurs when the TSF exceeds the timer by such a large amount that  $TSF \geq \text{Timer} + \text{Period}$ , indicating incorrect software programming. The threshold GENERIC\_TIMER 0 was removed because timer 0 is special and does not generate a threshold event.

Bit	Bit Name	Description
31	GENERIC_TIMER_THRESHOLD[15]	GENERIC_TIMER_THRESHOLD 15
30	GENERIC_TIMER_THRESHOLD[14]	GENERIC_TIMER_THRESHOLD 14
...	...	...
18	GENERIC_TIMER_THRESHOLD[2]	GENERIC_TIMER_THRESHOLD 2
17	GENERIC_TIMER_THRESHOLD[1]	GENERIC_TIMER_THRESHOLD 1
16	GENERIC_TIMER_OVERFLOW	GENERIC_TIMER overflow enable
15	GENERIC_TIMER_TRIGGER[15]	GENERIC_TIMER 15 trigger enable
...	...	...
1	GENERIC_TIMER_TRIGGER[1]	GENERIC_TIMER 1 trigger enable
0	GENERIC_TIMER_TRIGGER[0]	GENERIC_TIMER 0 trigger enable

**8.13.32 Primary Interrupt Status Read and Clear (ISR\_P\_RAC)**

Offset: 0x181000C0

Access: Read-and-Clear (No Write Access)

Reset: 0x0

**NOTE:** A read from this location atomically:

- Copies all secondary ISRs into the corresponding secondary ISR shadow registers (ISR\_S0 is copied to ISR\_S0\_S, etc.)
- Clears all bits of the primary ISR (ISR\_P) and all bits of all secondary ISRs (ISR\_S0–ISR\_S4)
- Returns the contents of the primary ISR (ISR\_P)

Bit	Bit Name	Description
31:0	ISR_P	Same format as “Primary Interrupt Status (ISR_P)”



**8.13.33 Secondary Interrupt Status 0 (ISR\_S0\_S)**

Offset: 0x181000C4

Access: Read-Only

Reset: 0x0

Bit	Bit Name	Description
31:0	ISR_S0	Same format as “Secondary Interrupt Status 0 (ISR_S0)”

**8.13.34 Secondary Interrupt Status 1 (ISR\_S1\_S)**

Offset: 0x181000C8

Access: Read-Only

Reset: 0x0

Bit	Bit Name	Description
31:0	ISR_S0	Same format as “Secondary Interrupt Status 1 (ISR_S1)”

**8.13.35 Secondary Interrupt Status 2 (ISR\_S2\_S)**

Offset: 0x181000D0

Access: Read-Only

Reset: 0x0

Bit	Bit Name	Description
31:0	ISR_S0	Same format as “Secondary Interrupt Status 2 (ISR_S2)”

**8.13.36 Secondary Interrupt Status 3 (ISR\_S3\_S)**

Offset: 0x181000D4

Access: Read-Only

Reset: 0x0

Bit	Bit Name	Description
31:0	ISR_S0	Same format as “Secondary Interrupt Status 3 (ISR_S3)”

**8.13.37 Secondary Interrupt Status 4 (ISR\_S4\_S)**

Offset: 0x181000D8

Access: Read-Only

Reset: 0x0

Bit	Bit Name	Description
31:0	ISR_S0	Same format as “Secondary Interrupt Status 4 (ISR_S4)”

**8.13.38 Secondary Interrupt Status 5 (ISR\_S5\_S)**

Offset: 0x181000DC

Access: Read-Only

Reset: 0x0

Bit	Bit Name	Description
31:0	ISR_S0	Same format as “Secondary Interrupt Status 5 (ISR_S5)”

### 8.14 WQCU Registers

The WQCU registers occupy the offset range 0x18100800–0x18100A40 in the AR9344 address space. The AR9344 has ten QCUs, numbered from 0 to 9.

Table 8-15. WQCU Registers

Offset	Name	Description	Page
0x18100800 + (Q << 2) <sup>[1]</sup>	Q_TXDP	Tx Queue Descriptor Pointer	page 234
0x18100830	Q_STATUS_RING_START	QCU_STATUS_RING_START_ADDRESS Lower 32 bits of Address	page 235
0x18100834	Q_STATUS_RING_END	QCU_STATUS_RING_END_ADDR Lower 32 Bits of Address	page 235
0x18100838	Q_STATUS_RING_CURRENT	QCU_STATUS_RING_CURRENT Address	page 235
0x18100840	Q_TXE	Tx Queue Enable	page 235
0x18100880	Q_TXD	Tx Queue Disable	page 236
0x181008C0 + (Q << 2) <sup>[1]</sup>	Q_CBRCFG	CBR Configuration	page 236
0x18100900 + (Q << 2) <sup>[1]</sup>	Q_RDYTIMECFG	ReadyTime Configuration	page 236
0x18100940	Q_ONESHOTARM_SC	OneShotArm Set Control	page 237
0x18100980	Q_ONESHOTARM_CC	OneShotArm Clear Control	page 237
0x181009C0 + (Q << 2) <sup>[1]</sup>	Q_MISC	Miscellaneous QCU Settings	page 238
0x18100A00 + (Q << 2) <sup>[1]</sup>	Q_STS	Miscellaneous QCU Status	page 240
0x18100A40	Q_RDYTIMESHDN	ReadyTimeShutdown Status	page 240
0x18100A44	Q_MAC_QCU_DESC_CRC_CHK	Descriptor CRC Check	page 240

[1]The variable Q in the register addresses refers to the QCU number.

#### 8.14.1 Tx Queue Descriptor (Q\_TXDP)

Offset: 0x18100800 + (Q < 2)

Access: Read/Write

Cold Reset: Undefined

Warm Reset: Unaffected

Bit	Bit Name	Description
31:2	TXDP	Tx descriptor pointer
1:0	RES	Reserved

#### 8.14.2 QCU\_STATUS\_RING\_START\_ADDRESS Lower 32 bits of Address (Q\_STATUS\_RING\_START)

Offset: 0x18100830  
 Access: Read/Write  
 Reset: 0x0

Bit	Bit Name	Description
31:0	ADDR	Lower 32 bits of QCU_STATUS_RING_START_ADDR

#### 8.14.3 QCU\_STATUS\_RING\_END\_ADDR Lower 32 Bits of Address (Q\_STATUS\_RING\_END)

Offset: 0x18100834  
 Access: Read/Write  
 Reset: 0x0

Bit	Bit Name	Description
31:0	ADDR	Lower 32 bits of QCU_STATUS_RING_END_ADDR

#### 8.14.4 QCU\_STATUS\_RING\_CURRENT Address (Q\_STATUS\_RING\_CURRENT)

Offset: 0x18100838  
 Access: Read/Write  
 Reset: 0x0

Bit	Bit Name	Description
31:0	ADDR	MAC_QCU_STATUS_RING_CURRENT_ADDRESS

#### 8.14.5 Tx Queue Enable (Q\_TXE)

Offset: 0x18100840  
 Access: Read/Write  
 Reset: 0x0

**NOTE:** Writing a 1 in bit position *N* sets the TXE bit for QCU *N*. Writing a 0 in bit position *N* has no effect; in particular, it does not clear the TXE bit for the QCU.

Bit	Bit Name	Description
31:10	RES	Reserved
9	QCU_EN[9]	Enable QCU 9
...	...	...
1	QCU_EN[1]	Enable QCU 1
0	QCU_EN[0]	Enable QCU 0

### 8.14.6 Tx Queue Disable (Q\_TXD)

Offset: 0x18100880  
 Access: Read/Write  
 Reset: 0x0

#### NOTE:

To stop transmission for QCU  $Q$ :

1. Write a 1 to QCU  $Q$ 's TXD bit
2. Poll the "Tx Queue Enable (Q\_TXE)" register until QCU  $Q$ 's TXE bit is clear
3. Poll QCU  $Q$ 's "Misc. QCU Status (Q\_STS)" register until its pending frame count (Q\_STS bits [1:0]) is zero
4. Write a 0 to QCU  $Q$ 's TXD bit

At this point, QCU  $Q$  has shut down and has no frames pending in its associated DCU.

Software must not write a 1 to a QCU's TXE bit when that QCU's TXD bit is set; an undefined operation will result. Software must ensure that it sets a QCU's TXE bit only when the QCU's TXD bit is clear. It is fine to write a 0 to TXE when TXD is set, but this has no effect on the QCU.

Bit	Bit Name	Description
31:10	RES	Reserved
9	QCU_DIS[9]	Disable QCU 9
...	...	...
1	QCU_DIS[1]	Disable QCU 1
0	QCU_DIS[0]	Disable QCU 0

### 8.14.7 CBR Configuration (Q\_CBRCFG)

Offset: 0x181008C0 + ( $Q < 2$ )  
 Access: Read/Write  
 Reset: 0x0

Bit	Bit Name	Description
31:24	CBR_OVF_THRESH	CBR overflow threshold
23:0	CBR_INTV	CBR interval in $\mu$ s

### 8.14.8 ReadyTime Configuration (Q\_RDYTIMECFG)

Offset: 0x18100900 + ( $Q < 2$ )  
 Access: Read/Write  
 Reset: 0x0

Bit	Bit Name	Description	
31:25	RES	Reserved	
24	RDYTIME_EN	ReadyTime enable	
		0	Disable ReadyTime use
		1	Enable ReadyTime use
23:0	RDYTIME_DUR	ReadyTime duration in $\mu$ s	

### 8.14.9 OneShotArm Set Control (Q\_ONESHOTARM\_SC)

Offset: 0x18100940  
 Access: Read/Write  
 Reset: 0x0

**NOTE:** A read to this register returns the current state of all OneShotArm bits (QCU  $Q$ 's OneShotArm bit is returned in bit position  $Q$ ).

Bit	Bit Name	Description	
31:10	RES	Reserved	
9	ONESHOTARM[9]	0	No effect
		1	Set OneShot arm bit for QCU 9
...	...	...	
1	ONESHOTARM[1]	0	No effect
		1	Set OneShot arm bit for QCU 1
0	ONESHOTARM[0]	0	No effect
		1	Set OneShot arm bit for QCU 0

### 8.14.10 OneShotArm Clear Control (Q\_ONESHOTARM\_CC)

Offset: 0x18100980  
 Access: Read/Write  
 Reset: 0x0

**NOTE:** A read to this register returns the current state of all OneShotArm bits (QCU  $Q$ 's OneShotArm bit is returned in bit position  $Q$ ).

Bit	Bit Name	Description	
31:10	RES	Reserved	
9	ONESHOT_CLEAR[9]	0	No effect
		1	Clear OneShot arm bit for QCU 9
...	...	...	
1	ONESHOT_CLEAR[1]	0	No effect
		1	Clear OneShot arm bit for QCU 1
0	ONESHOT_CLEAR[0]	0	No effect
		1	Clear OneShot arm bit for QCU 0

## 8.14.11 Misc. QCU Settings (Q\_MISC)

Offset: 0x181009C0 + (Q &lt; 2)

Access: Read/Write

Reset: See field description

Bit	Bit Name	Reset	Description	
31:12	RES	0x0	Reserved	
11	QCU_FR_ABORT_REQ_EN	0x1	DCU frame early termination request control	
			0	Never request early frame termination. Once a frame enters the DCU, it will remain active until its normal retry count has been reached or the frame succeeds.
			1	Allow this QCU to request early frame termination. When requested, the DCU attempts to complete processing the frame more quickly than it normally would.
10	CBR_EXP_CNT_CLR_EN	0x0	CBR expired counter force-clear control. Write-only (always reads as zero). Write of:	
			0	No effect
			1	Resets the CBR expired counter to zero
9	TXE_CLR_ON_CBR_END	0x0	ReadyTime expiration and VEOL handling policy	
			0	On expiration of ReadyTime or on VEOL, the TXE bit is not cleared. Only reaching the physical end-of-queue (that is, a NULL LinkPtr) will clear TXE
			1	The TXE bit is cleared on expiration of ReadyTime, on VEOL, and on reaching the physical end-of-queue
8	CBR_EXP_INC_LIMIT	0x0	CBR expired counter limit enable	
			0	The maximum CBR expired counter value is 255, but a CBROVF interrupt is generated when the counter reaches the value set in the CBR overflow threshold field of the “ <a href="#">CBR Configuration (Q_CBRCFG)</a> ” register.
			1	The maximum CBR expired counter is limited to the value of the CBR overflow threshold field of the “ <a href="#">CBR Configuration (Q_CBRCFG)</a> ” register. Note that in addition to limiting the maximum CBR expired counter to this value, a CBROVF interrupt is also generated when the CBR expired counter reaches the CBR overflow threshold.
7	QCU_IS_BCN	0x0	Beacon use indication. Indicates whether the QCU is being used for beacons	
			0	QCU is being used for non-beacon frames only
			1	QCU is being used for beacon frames (and possibly for non-beacon frames)
6	CBR_EXP_INC_DIS_NOBCNFR	0x0	Disable the CBR expired counter increment if the frame scheduling trigger occurs and the QCU marked as being used for beacon transmission (i.e., the QCU that has bit [7] set in its “ <a href="#">Misc. QCU Settings (Q_MISC)</a> ” register) contains no frames	
			0	Increment the CBR expired counter each time the frame scheduling trigger occurs, regardless of whether the beacon queue contains frames
			1	Increment the CBR expired counter only when both the frame scheduling trigger occurs and the beacon queue is valid (the beacon queue is valid whenever its TXE is asserted)

Bit	Bit Name	Reset	Description	
5	CBR_EXP_INC _DIS_NOFR	0x0	Disable the CBR expired counter increment if the frame scheduling trigger occurs and the queue contains no frames	
			0	Increment the CBR expired counter each time the frame scheduling trigger occurs, regardless of whether the queue contains frames
			1	Increment the CBR expired counter only when both the frame scheduling trigger occurs and the queue is valid (the queue is valid whenever TXE is asserted)
4	ONESHOT_EN	0x0	OneShot enable	
			0	Disable OneShot function
			1	Enable OneShot function Note that OneShot must not be enabled when the QCU is set to an ASAP frame scheduling policy.
3:0	FSP	0x0	Frame scheduling policy setting	
			0	ASAP The QCU is enabled continuously.
			1	CBR The QCU is enabled under control of the settings in the “ <a href="#">CBR Configuration (Q_CBRCFG)</a> ” register.
			2	DBA-gated The QCU will be enabled at each occurrence of a DMA beacon alert.
			3	TIM-gated The QCU will be enabled whenever: <ul style="list-style-type: none"> <li>■ In STA mode, the PCU indicates that a beacon frame has been received with the local STA’s bit set in the TIM element</li> <li>■ In IBSS mode, the PCU indicates that an ATIM frame has been received</li> </ul>
			4	Beacon-sent-gated The QCU will be enabled when the DCU that is marked as being used for beacon transmission (see bit [16] of the “ <a href="#">Misc. DCU-Specific Settings (D_MISC)</a> ” register) indicates that it has sent the beacon frame on the air
			5	Beacon-received-gated The QCU will be enabled when the PCU indicates that it has received a beacon.
			6	HCF Poll gated The QCU will be enabled whenever the Rx HCF poll event occurs; the signals come from the PCU when a directed HCF poll frame type is received with valid FCS.
15:7	Reserved			

**8.14.12 Misc. QCU Status (Q\_STS)**

Offset: 0x18100A00 + (Q &lt; 2)

Access: Read-Only

Reset: 0x0

Bit	Bit Name	Description
31:16	RES	Reserved
15:8	CBR_EXP	Current value of the CBR expired counter
7:2	RES	Reserved
1:0	FC	Pending frame count; Indicates the number of frames this QCU presently has pending in its associated DCU.

**8.14.13 ReadyTimeShutdown Status (Q\_RDYTIMESHDN)**

Offset: 0x18100A40

Access: Read/Write

Reset: 0x0

Bit	Bit Name	Description	
31:10	RES	Reserved	
9	RDYTIME_SHUTDOWN[9]	ReadyTimeShutdown status for QCU 9	
...	...	...	
1	RDYTIME_SHUTDOWN[1]	ReadyTimeShutdown status for QCU 1	
0	RDYTIME_SHUTDOWN[0]	ReadyTimeShutdown status for QCU 0 On read, returns ReadyTimeShutdown indication. Write of:	
		0	No effect
		1	Set OneShot arm bit for QCU 0

**8.14.14 Descriptor CRC Check (MAC\_QCU\_DESC\_CRC\_CHK)**

Offset: 0x18100A44

Access: Read/Write

Reset: 0x1

Bit	Bit Name	Description	
31:1	RES	Reserved	
0	EN	QCU frame descriptor CRC check	
		0	Disable CRC check on the descriptor fetched from HOST
		1	Enable CRC check on the descriptor fetched from HOST



## 8.15 WLAN DCU Registers

The WLAN DCU registers occupy the offset range 0x18101000– 0x181012F0 in the AR9344 address space. The AR9344 has ten DCUs, numbered from 0 to 9.

Table 8-16. WLAN DCU Registers

Offset	Name	Description	Page
0x18101000 + (D << 2) <sup>[1]</sup>	D_QCUMASK	QCU Mask	page 241
0x18101040 + (D << 2) <sup>[1]</sup>	D_LCL_IFS	DCU-Specific IFS Settings	page 242
0x18101080 + (D << 2) <sup>[1]</sup>	D_RETRY_LIMIT	Retry Limits	page 242
0x181010C0 + (D << 2) <sup>[1]</sup>	D_CHNTIME	ChannelTime Settings	page 242
0x18101100 + (D << 2) <sup>[1]</sup>	D_MISC	Miscellaneous DCU-Specific Settings	page 243
0x18101030	D_GBL_IFS_SIFS	DCU-Global IFS Settings: SIFS Duration	page 243
0x18101070	D_GBL_IFS_SLOT	DCU-Global IFS Settings: Slot Duration	page 243
0x181010B0	D_GBL_IFS EIFS	DCU-Global IFS Settings: EIFS Duration	page 244
0x181010F0	D_GBL_IFS_MISC	DCU-Global IFS Settings: Misc. Parameters	page 244
0x18101270	D_TXPSE	DCU Transmit Pause Control/Status	page 245
0x181012F0	D_TXSLOTMASK	DCU Transmission Slot Mask	page 245

[1]The variable *D* in the register addresses refers to the DCU number.

### 8.15.1 QCU Mask (D\_QCUMASK)

Offset: 0x18101000 + (D < 2)

Access: Read/Write

Cold Reset: 0x0

Warm Reset: Unaffected

**NOTE:** To achieve lowest power consumption, software should set this register to 0x0 for all DCUs that are not in use. The hardware detects that the QCU mask is set to zero and shuts down certain logic in response, helping to save power.

Bit	Bit Name	Description
31:10	RES	Reserved
9:0	QCU_MASK	QCU mask Setting bit <i>Q</i> means that QCU <i>Q</i> is associated with (i.e., feeds into) this DCU. These register have reset values which corresponding to a 1 to 1 mapping between QCUs and DCUs. A register offset of 0x1000 maps to 0x1, 0x1004 maps to 0x2, 0x1008 maps to 0x4, etc.

### 8.15.2 DCU-Specific IFS Settings (*D\_LCL\_IFS*)

Offset: 0x18101040 + (*D* < 2)

Access: Read/Write

Cold Reset: See field description

Warm Reset: Unaffected

Bit	Bit Name	Reset	Description
<b>When Long AIFS is 0:</b>			
31:28	RES	0x0	Reserved
27:20	DATA_AIFS_D[7:0]	0x2	AIFS value, in slots beyond SIFS; e.g., a setting of 2 (the reset value) means AIFS is equal to DIFS. <b>NOTE:</b> This field is 17 bits wide (including the 9 MSBs accessed using the AIFS field), but the maximum supported AIFS value is 0x1FFFC. Setting AIFS to 0x1FFFD, 0x1FFFE, or 0x1FFFF causes the DCU to hang.
19:10	DATA_CW_MAX	0x3FF	CW_MAX value; must be equal to a power of 2, minus 1
9:0	DATA_CW_MIN	0xF	CW_MIN value; must be equal to a power of 2, minus 1
<b>When Long AIFS is 1:</b>			
31:29	RES	0x0	Reserved
28	LONG_AIFS [DCU_IDX_D]	0x0	Long AIFS bit; used to read or write to the nine MSBs of the AIFS value
27:9	RES	0x0	Reserved
8:0	DATA_AIFS_D[16:8]	0x2	Upper nine bits of the AIFS value (see bits [27:20] listed in this register)

### 8.15.3 Retry Limits (*D\_RETRY\_LIMIT*)

Offset: 0x18101080 + (*D* < 2)

Access: Read/Write

Cold Reset: See field description

Warm Reset: Unaffected

Bit	Bit Name	Reset	Description
31:20	RES	0x20	Reserved
19:14	SDFL	0x20	STA data failure limit: Specifies the number of times a frame's data exchange may fail before CW is reset to CW_MIN. Note: A value of 0x0 is unsupported.
13:8	SRFL	0x20	STA RTS failure limit: Specifies the number of times a frame's RTS exchange may fail before the CW is reset to CW_MIN. Note: A value of 0x0 is unsupported.
7:4	RES	0x0	Reserved
3:0	FRFL	0x4	Frame RTS failure limit: Specifies the number of times a frame's RTS exchange may fail before the current transmission series is terminated. A frame's RTS exchange fails if RTS is enabled for the frame, but when the MAC sends the RTS on the air, no CTS is received. Note: A value of 0x0 is unsupported.

### 8.15.4 ChannelTime Settings (*D\_CHNTIME*)

Offset: 0x181010C0 + (*D* < 2)

Access: Read/Write

Cold Reset: 0x0

Warm Reset: Unaffected

Bit	Bit Name	Description
31:21	RES	Reserved
20	CHANNEL_TIME_EN	ChannelTime enable
19:0	DATA_CT_MMR	ChannelTime duration in $\mu$ s

### 8.15.5 Misc. DCU-Specific Settings (*D\_MISC*)

Offset: 0x18101100 + (*D* < 2)

Access: Read/Write

Cold Reset: See field description

Warm Reset: Unaffected

Bit	Bit Name	Reset	Description	
31:19	RES	0x0	Reserved	
18:17	DCU_ARB_LOCKOUT_IF_EN	0x0	DCU arbiter lockout control	
			0	No lockout. Allows lower-priority DCUs to arbitrate for access to the PCU concurrently with this DCU.
			1	Intra-frame lockout only. Forces all lower-priority DCUs to defer arbitrating for access to the PCU while the current DCU arbitrates for access to the PCU or doing an intra-frame backoff.
			2	Global lockout. Forces all lower-priority DCUs to defer arbitration for access to the PCU when: <ul style="list-style-type: none"> <li>■ At least one QCU feeding to the current DCU has a frame ready</li> <li>■ The DCU is actively processing a frame, including arbitrating for PCU access, performing intra- or post-frame backoff, DMAing frame data to the PCU, or waiting for the PCU to complete the frame.</li> </ul>
	3	Reserved		
16	DCU_IS_BRN	0x0	Beacon use indication. Indicates whether the DCU is being used for beacons.	
			0	DCU is being used for non-beacon frames only
			1	DCU is being used for beacon frames only
15:6	RES	0x0	Reserved	
5:0	DATA_BKOFF_THRESH	0x2	Backoff threshold setting Determines the backoff count at which the DCU will initiate arbitration for access to the PCU and commit to sending the frame.	

### 8.15.6 DCU-Global IFS Settings: SIFS Duration (*D\_GBL\_IFS\_SIFS*)

Offset: 0x18101030

Access: Read/Write

Cold Reset: 640 (16  $\mu$ s at 40 MHz)

Warm Reset: Unaffected

Bit	Bit Name	Description
31:16	RES	Reserved
15:0	SIFS_DUR	SIFS duration in core clocks (40 MHz for legacy or HT20, 80 MHz for HT40)

### 8.15.7 DCU-Global IFS Settings: Slot Duration (*D\_GBL\_IFS\_SLOT*)

Offset: 0x18101070

Access: Read/Write

Cold Reset: 360 (9  $\mu$ s at 40 MHz)

Warm Reset: Unaffected

Bit	Bit Name	Description
31:16	RES	Reserved
15:0	SLOT_DUR	Slot duration in core clocks (40 MHz for legacy or HT20 mode, 80 MHz for HT40 mode)

**8.15.8 DCU-Global IFS Settings: EIFS Duration (D\_GBL\_IFS\_EIFS)**

Offset: 0x181010B0

Access: Read/Write

Cold Reset: 3480 (87  $\mu$ s at 40 MHz)

Warm Reset: Unaffected

Bit	Bit Name	Description
31:16	RES	Reserved
15:0	EIFS_DUR	EIFS duration in core clocks (40 MHz for legacy or HT20 mode, 80 MHz for HT40 mode)

**8.15.9 DCU-Global IFS Settings: Misc. Parameters (D\_GBL\_IFS\_MISC)**

Offset: 0x181010F0

Access: Read/Write

Cold Reset: See field description

Warm Reset: Unaffected

Bit	Bit Name	Reset	Description				
31:29	RES	0x0	Reserved				
26:25	CHAN_SLO T _WIN_DUR	0x0	Slot transmission window length Specifies the number of core clocks after a slot boundary during which the MAC is permitted to send a frame. Specified in units of 8 core clocks, with the value 0x0 being special. If set to a value of 0x0 (the reset value), the MAC is permitted to send at any point in the slot.				
28	IGNORE _BACKOFF	0x0	Ignore back off Allows the DCU to ignore backoff as well as EIFS; it should be set during fast channel change to guarantee low latency and flush the Tx pipe.				
27	CHAIN _SLOT _ALWAYS	0x0	Force transmission always on slot boundaries When bits [26:25] of this register are non-zero, the MAC transmits on slot boundaries as required by the 802.11 spec. When bits [26:25] are not 0x0 and this bit is non-zero, the MAC always transmits on slot boundaries.				
24	LFSR_SLICE _RANDOM _DIS	0x0	Random LFSR slice selection disable <table border="1"> <tr> <td>0</td> <td>Allow the IFS logic to randomly generate the LFSR slice select value (see bits [2:0] of this register). Random selection ensures independence of LFSR output values for nodes on different PCIE busses and on the same network as well as for multiple nodes connected to the same physical PCIE bus.</td> </tr> <tr> <td>1</td> <td>Disable random LFSR slice selection and use the value of the LFSR slice select field (bits [2:0] of this register) instead</td> </tr> </table>	0	Allow the IFS logic to randomly generate the LFSR slice select value (see bits [2:0] of this register). Random selection ensures independence of LFSR output values for nodes on different PCIE busses and on the same network as well as for multiple nodes connected to the same physical PCIE bus.	1	Disable random LFSR slice selection and use the value of the LFSR slice select field (bits [2:0] of this register) instead
0	Allow the IFS logic to randomly generate the LFSR slice select value (see bits [2:0] of this register). Random selection ensures independence of LFSR output values for nodes on different PCIE busses and on the same network as well as for multiple nodes connected to the same physical PCIE bus.						
1	Disable random LFSR slice selection and use the value of the LFSR slice select field (bits [2:0] of this register) instead						
23	AIFS_RST _UNCOND	0x0	AIFS counter reset policy (debug use only) <table border="1"> <tr> <td>0</td> <td>Reset the AIFS counter only when PCU_RST_AIFS is asserted and the counter already has reached AIFS</td> </tr> <tr> <td>1</td> <td>Reset the AIFS counter unconditionally when PCU_RST_AIFS is asserted</td> </tr> </table>	0	Reset the AIFS counter only when PCU_RST_AIFS is asserted and the counter already has reached AIFS	1	Reset the AIFS counter unconditionally when PCU_RST_AIFS is asserted
0	Reset the AIFS counter only when PCU_RST_AIFS is asserted and the counter already has reached AIFS						
1	Reset the AIFS counter unconditionally when PCU_RST_AIFS is asserted						
22	SIFS_RST _UNCOND	0x0	SIFS counter reset policy (debug use only) <table border="1"> <tr> <td>0</td> <td>Reset the SIFS counter only when PCU_RST_SIFS is asserted and the counter already has reached SIFS</td> </tr> <tr> <td>1</td> <td>Reset the SIFS counter unconditionally whenever PCU_RST_SIFS is asserted</td> </tr> </table>	0	Reset the SIFS counter only when PCU_RST_SIFS is asserted and the counter already has reached SIFS	1	Reset the SIFS counter unconditionally whenever PCU_RST_SIFS is asserted
0	Reset the SIFS counter only when PCU_RST_SIFS is asserted and the counter already has reached SIFS						
1	Reset the SIFS counter unconditionally whenever PCU_RST_SIFS is asserted						
21:3	RES	0x0	Reserved				
2:0	LFSR_SLICE _SEL	0x0	LFSR slice select Determines which slice of the internal LFSR will generate the random sequence used to determine backoff counts in the PCU's DCUs and scrambler seeds. This allows different STAs to contain different LFSR slice values (e.g., by using bits from the MAC address) to minimize random sequence correlations among STAs in the same BSS/IBSS. <b>NOTE:</b> Affects the MAC only when random LFSR slice selection disable (bit [24]) is set. When random LFSR slice selection is enabled (default), it is ignored.				

### 8.15.10 DCU Tx Pause Control/Status (*D\_TXPSE*)

Offset: 0x18101270

Access: Read/Write

Cold Reset: See field description

Warm Reset: Unaffected

Bit	Bit Name	Reset	Description	
31:17	RES	0x0	Reserved	
16	TX_PAUSED	0x1	Tx pause status	
			0	Tx pause request has not yet taken effect, so some DCUs for which a transmission pause request has been issued using bits [9:0] of this register are still transmitting and have not paused.
			1	All DCUs for which a transmission pause request has been issued via bits [9:0] of this register, if any, have paused their transmissions. Note that if no transmission pause request is pending (i.e., bits [9:0] of this register are all set to 0), then this Tx pause status bit will be set to one.
15:10	RES	0x0	Reserved	
9:0	DCU_REG_TXPSE	0x0	Request that some subset of the DCUs pause transmission. For bit <i>D</i> of this field ( $9 \geq D \geq 0$ ):	
			0	Allow DCU <i>D</i> to continue to transmit normally
			1	Request that DCU <i>D</i> pause transmission as soon as it is able

### 8.15.11 DCU Transmission Slot Mask (*D\_TXSLOTMASK*)

Offset: 0x181012F0

Access: Read/Write

Cold Reset: 0x0

Warm Reset: Unaffected

**NOTE:** When bits [26:25] of the “DCU-Global IFS Settings: Misc. Parameters (*D\_GBL\_IFS\_MISC*)” register are non-zero, *D\_TXSLOTMASK* controls the slots DCUs can start frame transmission on. The slot occurring coincident with SIFS elapsing is slot 0. Slot numbers increase thereafter, whether the channel was idle or busy during the slot. If bits [26:25] of *D\_GBL\_IFS\_MISC* are zero, this register has no effect.

Bit	Bit Name	Description	
31:16	RES	Reserved	
15	SLOT_TX[15]	Specifies whether transmission may start on slot numbers that are congruent to 15 (mod 16)	
		0	Transmission may start on such slots
		1	Transmission may not start on such slots
...	...	...	
1	SLOT_TX[1]	Specifies whether transmission may start on slot numbers that are congruent to 1 (mod 16)	
		0	Transmission may start on such slots
		1	Transmission may not start on such slots
0	SLOT_TX[0]	Specifies whether transmission may start on slot numbers that are congruent to 0 (mod 16)	
		0	Transmission may start on such slots
		1	Transmission may not start on such slots

## 8.16 RTC Registers

RTC registers occupy the offset range 0x18107000–0x18107FFC in the AR9344 address space. Within this address range, the 0x18107040–0x18107058 registers are always on

and available for software access regardless of whether the RTC is asleep. [Table 8-17](#) summarizes the RTC registers for the AR9344.

**Table 8-17. RTC Summary**

Address	Name	Description	Page
0x18107000	RESET_CONTROL	Reset Control	<a href="#">page 246</a>
0x18107014	PLL_CONTROL	PLL Control Settings	<a href="#">page 247</a>
0x18107018	PLL_SETTLE	PLL Settling Time	<a href="#">page 247</a>
0x1810701C	XTAL_SETTLE	Crystal Settling Time	<a href="#">page 248</a>
0x18107020	CLOCK_OUT	Pin Clock Speed Control	<a href="#">page 248</a>
0x18107028	RESET_CAUSE	Reset Cause	<a href="#">page 249</a>
0x1810702C	SYSTEM_SLEEP	System Sleep Status	<a href="#">page 249</a>
0x18107034	KEEP_AWAKE	Keep Awake Timer	<a href="#">page 249</a>
0x18107038	DERIVED_RTC_CLK	Derived RTC Clock	<a href="#">page 250</a>
0x18107040	RTC_SYNC_REGISTER	RTC Sync	<a href="#">page 250</a>
0x18107044	RTC_SYNC_STATUS	RTC Sync Status	<a href="#">page 250</a>
0x18107050	RTC_SYNC_INTR_CAUSE	RTC Interrupt Cause	<a href="#">page 251</a>
0x18107054	RTC_SYNC_INTR_ENABLE	RTC Interrupt Enable	<a href="#">page 251</a>
0x18107058	RTC_SYNC_INTR_MASK	RTC Interrupt Mask	<a href="#">page 251</a>

### 8.16.1 Reset Control (RESET\_CONTROL)

Address: 0x18107000

Access: Read/Write

Reset: 0x0

This register is used to control individual reset pulses to functional blocks. Software can hold any target block in reset by writing a 1 to the corresponding bit in this register. Reset will be held asserted to the target block as long as the corresponding bit is set. Multiple blocks may be held in reset simultaneously.

Bit	Bit Name	Description
31:4	RES	Reserved. Must be written with zero. Contains zeros when read.
3	COLD_RST	Cold reset
2	WARM_RESET	Warm reset
1:0	RES	Reserved. Must be written with zero. Contains zeros when read.

### 8.16.2 PLL Control Settings (PLL\_CONTROL)

Address: 0x18107014

Access: Read/Write

Reset: See field description

This register contains the control settings for the PLL by allowing access to the PLL setup control signals. Any write to this register will

freeze all high speed clocks for 61  $\mu$ secs. The clock select lines and PLL control lines will change after 30.5  $\mu$ secs, then another 30.5  $\mu$ secs will pass before being enabled to allow the clocks to settle.

Bit	Bit Name	Type	Reset	Description								
31	RES	RO	0x0	Reserved. Must be written with zero. Contains zeros when read.								
30	MAC_OVERRIDE	RW	0x0	When set, a MAC clock request will deassert PLLBYPASS even if the BYPASS field is set to 1. This can be set when its the preferable time to select the ON state to use the PLL, instead of the SOC_ON state.								
29	NOPWD	RW	0x0	Prevents the PLL from being powered down when the PLLBYPASS is asserted or when in light sleep								
28	UPDATING	RO	0x0	This bit is set during the PLL update process. After software writes to the PLL_CONTROL, it takes about 45 secs for the update to occur. Software may poll this bit to see if the update has taken place. <table border="1" style="margin-left: 20px;"> <tr> <td>0</td> <td>PLL update is complete</td> </tr> <tr> <td>1</td> <td>PLL update is pending</td> </tr> </table>	0	PLL update is complete	1	PLL update is pending				
0	PLL update is complete											
1	PLL update is pending											
27	BYPASS	RW	0x00000001	Bypass PLL. This defaults to 1 for test purposes. Software must enable the PLL for normal operation.								
26:25	CLK_SEL	RW	0x0	Controls the final PLL select. <table border="1" style="margin-left: 20px;"> <tr> <td>00</td> <td>1</td> </tr> <tr> <td>01</td> <td>2</td> </tr> <tr> <td>10</td> <td>4</td> </tr> <tr> <td>11</td> <td>Bypass</td> </tr> </table>	00	1	01	2	10	4	11	Bypass
00	1											
01	2											
10	4											
11	Bypass											
24:20	REFDIV	RW	0x00000005	Reference clock divider <table border="1" style="margin-left: 20px;"> <tr> <td>00</td> <td>1</td> </tr> <tr> <td>01</td> <td>2</td> </tr> <tr> <td>10</td> <td>4</td> </tr> <tr> <td>11</td> <td>5</td> </tr> </table>	00	1	01	2	10	4	11	5
00	1											
01	2											
10	4											
11	5											
19:6	DIV_FRAC	RW	0x0	Primary multiplier								
5:0	DIV_INT	RW	0x2C	Primary multiplier								

### 8.16.3 PLL Settling Time (PLL\_SETTLE)

Address: 0x18107018

Access: Read/Write

Reset: See field description

This register sets the PLL settling time. The PLL requires some time to settle once it is powered up or reprogrammed. Each time the PLL parameters change due to a write to the

PLL register or a system event which changes the PLL control, hardware will gate off the clocks for PLL\_SETTLE time while the PLL stabilizes. Units are in REFCLK periods. Note: The reset values of this register must be kept in sync with the corresponding field in the baseband register 31.

Bit	Bit Name	Reset	Description
31:11	RES	0x0	Reserved. Must be written with zero. Contains zeros when read.
10:0	TIME	0x00000400	Time required for the PLL to settle. Units are in REFCLK periods, so the default value of 1024 will result in a 25.6 $\mu$ sec settling time. This register should never be set less than 100.

### 8.16.4 Crystal Settling Time (XTAL\_SETTLE)

Address: 0x1810701C

Access: Read/Write

Reset: See field description

This register sets the crystal settling time. The external crystal requires some time to settle once it is powered up. The power occurs as chip passes through the WAKEUP state, between OFF and ON or between SLEEP and ON. This exact time will vary and must be characterized, so this register is provided to allow the XTAL power up FSM to transition in the minimal correct time. The default value of

63 will always allow the XTAL to be fully settled before clocks are enabled, but this value can be set to a smaller value if hardware characterization approves. The timer will expire in (XTAL\_SETTLE + 1) clocks. Unlike most registers, XTAL\_SETTLE will retain its programmed value in the RTC block during reset. The value programmed in this register should be matched to the MAC register 'Sleep Clock 32KHz Wake', field 'SLEEP32\_WAKE\_XTL\_TIME'. Note that the MAC register value is in microseconds.

Bit	Bit Name	Reset	Description
31:7	RES	0x0	Reserved. Must be written with zero. Contains zeros when read.
6:0	TIME	0x00000001	Time required for the XTAL to settle. Units are in 30 µsecs, so the default value of 66 will result in 2.0 msec settling time. this register should never be set to 0.

### 8.16.5 Pin Clock Speed Control (CLOCK\_OUT)

Address: 0x18107020

Access: Read/Write

Reset: See field description

This register controls the CLK\_OUT pin clock speed. The output clock can be used for testing or to drive external components.

Bit	Bit Name	Reset	Description																																
31:7	RES	0x0	Reserved. Must be written with zero. Contains zeros when read.																																
6:4	DELAY	0x00000000	Controls the tap selection point for CLK_OUT on a delay line when SELECT[2] is set. 000 corresponds to the least delay while 111 corresponds to the maximum delay (100 to 180 degree delay).																																
3:0	SELECT	0x00000000	Controls the CLK_OUT speed. The binary MUX select decode is as follows: <table border="1" data-bbox="553 1255 1386 1848"> <tbody> <tr><td>0000</td><td>Low</td></tr> <tr><td>0001</td><td>CLKOBSOUT (from the PCIE PHY)</td></tr> <tr><td>0010</td><td>CLK80_ADC</td></tr> <tr><td>0011</td><td>CLK160_DAC</td></tr> <tr><td>0100</td><td>LCL20A (delayed as specified by the DELAY field)</td></tr> <tr><td>0101</td><td>LCL40A (delayed as specified by the DELAY field)</td></tr> <tr><td>0110</td><td>LCL80A (delayed as specified by the DELAY field)</td></tr> <tr><td>0111</td><td>LCL160A (delayed as specified by the DELAY field)</td></tr> <tr><td>1000</td><td>CLK128</td></tr> <tr><td>1001</td><td>XTLCLK</td></tr> <tr><td>1010</td><td>CLK80_ADC</td></tr> <tr><td>1011</td><td>CLK160_DAC</td></tr> <tr><td>1100</td><td>RTC_CLK_W (delayed as specified by the DELAY field)</td></tr> <tr><td>1101</td><td>REFCLK_W (delayed as specified by the DELAY field)</td></tr> <tr><td>1110</td><td>PCI_CLK_W (delayed as specified by the DELAY field)</td></tr> <tr><td>1111</td><td>PCIE_CORE_CLK_W (delayed as specified by the DELAY field)</td></tr> </tbody> </table>	0000	Low	0001	CLKOBSOUT (from the PCIE PHY)	0010	CLK80_ADC	0011	CLK160_DAC	0100	LCL20A (delayed as specified by the DELAY field)	0101	LCL40A (delayed as specified by the DELAY field)	0110	LCL80A (delayed as specified by the DELAY field)	0111	LCL160A (delayed as specified by the DELAY field)	1000	CLK128	1001	XTLCLK	1010	CLK80_ADC	1011	CLK160_DAC	1100	RTC_CLK_W (delayed as specified by the DELAY field)	1101	REFCLK_W (delayed as specified by the DELAY field)	1110	PCI_CLK_W (delayed as specified by the DELAY field)	1111	PCIE_CORE_CLK_W (delayed as specified by the DELAY field)
0000	Low																																		
0001	CLKOBSOUT (from the PCIE PHY)																																		
0010	CLK80_ADC																																		
0011	CLK160_DAC																																		
0100	LCL20A (delayed as specified by the DELAY field)																																		
0101	LCL40A (delayed as specified by the DELAY field)																																		
0110	LCL80A (delayed as specified by the DELAY field)																																		
0111	LCL160A (delayed as specified by the DELAY field)																																		
1000	CLK128																																		
1001	XTLCLK																																		
1010	CLK80_ADC																																		
1011	CLK160_DAC																																		
1100	RTC_CLK_W (delayed as specified by the DELAY field)																																		
1101	REFCLK_W (delayed as specified by the DELAY field)																																		
1110	PCI_CLK_W (delayed as specified by the DELAY field)																																		
1111	PCIE_CORE_CLK_W (delayed as specified by the DELAY field)																																		



### 8.16.6 Reset Cause (RESET\_CAUSE)

Address: 0x18107028  
 Access: Read/Write  
 Reset: See field description

This register holds the cause of the last reset event.

Bit	Bit Name	Reset	Description	
31:2	RES	0x0	Reserved. Must be written with zero. Contains zeros when read.	
1:0	LAST	0x00000000	The value of this register holds the cause of the last reset, as stated:	
			0	Hard reset of the RTC
			1	Software wrote to the RTC_CONTROL_COLD_RST register
			2	Software wrote to the RTC_CONTROL_WARM_RST register
			3	Reserved

### 8.16.7 System Sleep Status (SYSTEM\_SLEEP)

Address: 0x1810702C  
 Access: Read/Write  
 Reset: See field description

This register contains the system sleep status bits. System sleep state is entered when all high frequency clocks are gated and the high frequency crystal is shut down. This register is used to indicate the status of each sleep control

interface. If any bit in this control register is 0, sleep is not permitted. If all bits are 1, sleep is permitted. The system will enter sleep as soon as the CPU executes a WAIT instruction. The LIGHT field will gate clocks off in SLEEP, but will keep the crystal running for faster wakeup. The DISABLE field will prevent the chip from entering SLEEP.

Bit	Bit Name	Reset	Description	
31:3	RES	0x0	Reserved. Must be written with zero. Contains zeros when read.	
2	MAC_IF	0x00000001	THE MAC block sleep state	
			0	The MAC block will not allow a sleep state
			1	The MAC block has enabled the sleep state
1	LIGHT	0x00000000	Controls whether or not the crystal is turned off during SLEEP. If the crystal is turned off, power consumption is lowered during sleep but the wakeup time is controlled by XTAL_SETTLE. If the crystal remains on, power consumption is higher but the wakeup time is about 45 $\mu$ s.	
			0	System sleep is DEEP, resulting in minimal power consumption
			1	System sleep will be LIGHT
0	DISABLE	0x00000000	Enables or disables the system sleep	
			0	System sleep is enabled
			1	System sleep is disabled

### 8.16.8 Keep Awake Timer (KEEP\_AWAKE)

Address: 0x18107034  
 Access: Read/Write  
 Reset: See field description

This register ensures that the chip does not enter the SLEEP state until at least the COUNT cycles have passed from the time of the last CLK\_REQ event.

Bit	Bit Name	Reset	Description
31:8	RES	0x0	Reserved. Must be written with zero. Contains zeros when read.
7:0	COUNT	0x00000000	The keep awake timer measured in 32 KHz (30.5 $\mu$ secs) cycles

**8.16.9 Derived RTC Clock (DERIVED\_RTC\_CLK)**

Address: 0x18107038

Access: Read/Write

Reset: See field description

This register creates a 32 KHz clock, derived from the HF. This register controls a scaled output clock which can be used to generate lower frequency clocks based on the reference clock. For example, a 32.768 KHz clock can be generated by setting the divisor of the high

speed clock accordingly. The accuracy will depend on how the divisors align with this integer count. RTC will start up normally using the derived RTC\_CLK, and will switch to the LF\_XTAL if it detects an LF\_XTAL (this behavior can be modified using the fields in the RTC\_SYNC\_DERIVED register) since the external LF\_XTAL is mostly unsupported.

Bit	Bit Name	Type	Reset	Description				
31:19	RES	RO	0x0	Reserved. Must be written with zero. Contains zeros when read.				
18	EXTERNAL_DETECT	RO	0x0	Detects external 32 KHz XTALs; if a LF XTAL is detected and RTC_SYNC_DERIVED clear, the RTC automatically uses the external XTAL. <table border="1" style="margin-left: 20px;"> <tr> <td>0</td> <td>No XTAL is detected</td> </tr> <tr> <td>1</td> <td>LFXTAL not detected</td> </tr> </table>	0	No XTAL is detected	1	LFXTAL not detected
0	No XTAL is detected							
1	LFXTAL not detected							
17:16	RES	RO	0x0	Reserved. Must be written with zero. Contains zeros when read.				
15:1	PERIOD	RW	0x262	The period of the derived clock is $2 * (\text{PERIOD} + 1)$ . The reset value creates a 30.55 sec clock if the REFCLK is 40 MHz. The 30.5 $\mu$ s value is closer to 32.768 KHz. To set it to 30.5 $\mu$ s, the PERIOD value should be 0x261. The rest value creates a 48.88 $\mu$ s clock if the REFCLK is 25 MHz. To set to 30.48 $\mu$ s, the PERIOD should be 0x17C. HALF_CLK_LATENCY and TSF_INC fields in MAC PCU should also be set appropriately.				
0	RES	RO	0x0	Reserved. Must be written with zero. Contains zeros when read.				

**8.16.10 RTC Sync (RTC\_SYNC\_REGISTER)**

Address: 0x18107040

Access: Read/Write

Reset: See field description

This register sets the RTC reset, force sleep and force wakeup.

Bit	Bit Name	Type	Reset	Description				
31:1	RES	RO	0x0	Reserved. Must be written with zero. Contains zeros when read.				
0	RESET	RW	0x0	Active low signal setting <table border="1" style="margin-left: 20px;"> <tr> <td>0</td> <td>RTC is currently resetting</td> </tr> <tr> <td>1</td> <td>RTC is not currently resetting</td> </tr> </table>	0	RTC is currently resetting	1	RTC is not currently resetting
0	RTC is currently resetting							
1	RTC is not currently resetting							

**8.16.11 RTC Sync Status (RTC\_SYNC\_STATUS)**

Address: 0x18107044

Access: Read-Only

Reset: 0x0

This register denotes the current use of RTC.

Bit	Bit Name	Description
31:6	RES	Reserved. Must be written with zero. Contains zeros when read.
5	PLL_CHANGING	PLL_CHANGING signal from RTC
4	WRESET	Denotes the RTC was accessed while the MAC is asleep
3	WAKEUP_STATE	RTC is in the wakeup state
2	SLEEP_STATE	RTC is in the sleep state
1	ON_STATE	RTC is in the on state
0	SHUTDOWN_STATE	RTC is in the shutdown state

**8.16.12 RTC Interrupt Cause (RTC\_SYNC\_INTR\_CAUSE)**

Address: 0x18107050

Access: Read/Write

Reset: 0x0

This register is a controller that works the same way as the host interface interrupt controller.

Each bit in the interrupt cause register pertains to an event as described here. A write of 1 to any bit in this register will clear that bit in the interrupt cause register until the corresponding event occurs again.

Bit	Bit Name	Description
31:6	RES	Reserved. Must be written with zero. Contains zeros when read.
5	PLL_CHANGING	PLL_CHANGING signal received from RTC
4	SLEEP_ACCESS	RTC accessed while MAC is asleep
3	WAKEUP_STATE	RTC is in wakeup state
2	SLEEP_STATE	RTC is in sleep state
1	ON_STATE	RTC is in on state
0	SHUTDOWN_STATE	RTC is in shutdown state

**8.16.13 RTC Interrupt Enable (RTC\_SYNC\_INTR\_ENABLE)**

Address: 0x18107054

Access: Read/Write

Reset: 0x0

This register is used for the RTC interrupts. Writing a 1 to any bit in this register allows that

bit in the interrupt cause register to be set when the corresponding event occurs. Writing a 0 to any bit in this register will automatically clear the corresponding bit in the interrupt cause register regardless of the corresponding event.

Bit	Bit Name	Description
31:6	RES	Reserved. Must be written with zero. Contains zeros when read.
5	PLL_CHANGING	PLL_CHANGING signal received from RTC
4	SLEEP_ACCESS	RTC accessed while MAC is asleep
3	WAKEUP_STATE	RTC is in wakeup state
2	SLEEP_STATE	RTC is in sleep state
1	ON_STATE	RTC is in on state
0	SHUTDOWN_STATE	RTC is in shutdown state

**8.16.14 RTC Interrupt Mask (RTC\_SYNC\_INTR\_MASK)**

Address: 0x18107058

Access: Read/Write

Reset: 0x0

This register is the mask for RTC interrupts. Writing a 1 to any bit in this register will allow

the corresponding event to generate an RTC Interrupt to the host interface, which can be programmed to generate a system interrupt. The corresponding bit in the RTC Interrupt Enable register must also be set.

Bit	Bit Name	Description
31:6	RES	Reserved. Must be written with zero. Contains zeros when read.
5	PLL_CHANGING	PLL_CHANGING signal received from RTC
4	SLEEP_ACCESS	RTC accessed while MAC is asleep
3	WAKEUP_STATE	RTC is in wakeup state
2	SLEEP_STATE	RTC is in sleep state
1	ON_STATE	RTC is in on state
0	SHUTDOWN_STATE	RTC is in shutdown state

## 8.17 WPCU Registers

Table 8-18 shows the mapping of the WPCU registers.

Table 8-18. WPCU Registers

Address	Name	Description	Page
0x18108000	WMAC_PCU_STA_ADDR_L32	STA Address Lower 32 Bits	<a href="#">page 254</a>
0x18108004	WMAC_PCU_STA_ADDR_U16	STA Address Upper 16 Bits	<a href="#">page 255</a>
0x18108008	WMAC_PCU_BSSID_L32	BSSID Lower 32 Bits	<a href="#">page 255</a>
0x1810800C	WMAC_PCU_BSSID_U16	BSSID Upper 16 Bits	<a href="#">page 255</a>
0x18108010	WMAC_PCU_BCN_RSSI_AVE	Beacon RSSI Average	<a href="#">page 256</a>
0x18108014	WMAC_PCU_ACK_CTS_TIMEOUT	ACK and CTS Timeout	<a href="#">page 256</a>
0x18108018	WMAC_PCU_BCN_RSSI_CTL	Beacon RSSI Control	<a href="#">page 256</a>
0x1810801C	WMAC_PCU_USEC_LATENCY	Millisecond Counter and Rx/Tx Latency	<a href="#">page 257</a>
0x18108020	WMAC_PCU_RESET_TSF	Reset TSF	<a href="#">page 257</a>
0x18108038	WMAC_PCU_MAX_CFP_DUR	Maximum CFP Duration	<a href="#">page 257</a>
0x1810803C	WMAC_PCU_RX_FILTER	Rx Filter	<a href="#">page 258</a>
0x18108040	WMAC_PCU_MCAST_FILTER_L32	Multicast Filter Mask Lower 32 Bits	<a href="#">page 258</a>
0x18008044	WMAC_PCU_MCAST_FILTER_U32	Multicast Filter Mask Upper 32 Bits	<a href="#">page 258</a>
0x18108048	WMAC_PCU_DIAG_SW	Diagnostic Switches	<a href="#">page 259</a>
0x1810804C	WMAC_PCU_TSF_L32	TSF Lower 32 Bits	<a href="#">page 260</a>
0x18108050	WMAC_PCU_TSF_U32	TSF Upper 32 Bits	<a href="#">page 260</a>
0x1810805C	WMAC_PCU_AES_MUTE_MASK_0	AES Mute Mask 0	<a href="#">page 260</a>
0x18108060	WMAC_PCU_AES_MUTE_MASK_1	AES Mute Mask 1	<a href="#">page 260</a>
0x18108080	WMAC_PCU_LAST_BEACON_TSF	Last Receive Beacon TSF	<a href="#">page 261</a>
0x18108084	WMAC_PCU_NAV	Current NAV	<a href="#">page 261</a>
0x18108088	WMAC_PCU_RTS_SUCCESS_CNT	Successful RTS Count	<a href="#">page 261</a>
0x1810808C	WMAC_PCU_RTS_FAIL_CNT	Failed RTS Count	<a href="#">page 261</a>
0x18108090	WMAC_PCU_ACK_FAIL_CNT	FAIL ACK Count	<a href="#">page 262</a>
0x18108094	WMAC_PCU_FCS_FAIL_CNT	Failed FCS Count	<a href="#">page 262</a>
0x18108098	WMAC_PCU_BEACON_CNT	Beacon Count	<a href="#">page 262</a>
0x181080D4	WMAC_PCU_SLP1	Sleep 1	<a href="#">page 262</a>
0x181080D8	WMAC_PCU_SLP2	Sleep 2	<a href="#">page 263</a>
0x181080E0	WMAC_PCU_ADDR1_MASK_L32	Address 1 Mask Lower 32 Bits	<a href="#">page 263</a>
0x181080E4	WMAC_PCU_ADDR1_MASK_U16	Address 1 Mask Upper 16 Bits	<a href="#">page 263</a>
0x181080E8	WMAC_PCU_TPC	Tx Power Control	<a href="#">page 263</a>
0x181080EC	WMAC_PCU_TX_FRAME_CNT	Tx Frame Counter	<a href="#">page 264</a>
0x181080F0	WMAC_PCU_RX_FRAME_CNT	Rx Frame Counter	<a href="#">page 264</a>
0x181080F4	WMAC_PCU_RX_CLEAR_CNT	Rx Clear Counter	<a href="#">page 264</a>
0x181080F8	WMAC_PCU_CYCLE_CNT	Cycle Counter	<a href="#">page 264</a>
0x181080FC	WMAC_PCU_QUIET_TIME_1	Quiet Time 1	<a href="#">page 264</a>
0x18108100	WMAC_PCU_QUIET_TIME_2	Quiet Time 2	<a href="#">page 265</a>
0x18108108	WMAC_PCU_QOS_NO_ACK	QoS NoACK	<a href="#">page 265</a>

Table 8-18. WPCU Registers (continued)

Address	Name	Description	Page
0x1810810C	WMAC_PCU_PHY_ERROR_MASK	PHY Error Mask	page 266
0x18108114	WMAC_PCU_RXBUF	Rx Buffer	page 266
0x18108118	WMAC_PCU_MIC_QOS_CONTROL	QoS Control	page 267
0x1810811C	WMAC_PCU_MIC_QOS_SELECT	Michael QoS Select	page 267
0x18108120	WMAC_PCU_MISC_MODE	Miscellaneous Mode	page 268
0x18108124	WMAC_PCU_FILTER_OFDM_CNT	Filtered OFDM Counter	page 268
0x18108128	WMAC_PCU_FILTER_CCK_CNT	Filtered CCK Counter	page 269
0x1810812C	WMAC_PCU_PHY_ERR_CNT_1	PHY Error Counter 1	page 269
0x18108130	WMAC_PCU_PHY_ERR_CNT_1_MASK	PHY Error Counter 1 Mask	page 269
0x18108134	WMAC_PCU_PHY_ERR_CNT_2	PHY Error Counter 2	page 269
0x18108138	WMAC_PCU_PHY_ERR_CNT_2_MASK	PHY Error Counter 2 Mask	page 270
0x1810813C	WMAC_PCU_TSF_THRESHOLD	TSF Threshold	page 270
0x18108144	WMAC_PCU_PHY_ERROR_EIFS_MASK	PHY Error EIFS Mask	page 270
0x18108168	WMAC_PCU_PHY_ERR_CNT_3	PHY Error Counter 3	page 270
0x1810816C	WMAC_PCU_PHY_ERR_CNT_3_MASK	PHY Error Counter 3 Mask	page 270
0x18108180	WMAC_PCU_GENERIC_TIMERS2	MAC PCU Generic Timers 2	page 271
0x181081C0	WMAC_PCU_GENERIC_TIMERS2_MODE	MAC PCU Generic Timers Mode 2	page 271
0x181081D0	WMAC_PCU_TXSIFS	SIFS, Tx Latency and ACK Shift	page 271
0x181081EC	WMAC_PCU_TXOP_X	TXOP for Non-QoS Frames	page 272
0x181081F0	WMAC_PCU_TXOP_0_3	TXOP for TID 0 to 3	page 272
0x181081F4	WMAC_PCU_TXOP_4_7	TXOP for TID 4 to 7	page 272
0x181081F8	WMAC_PCU_TXOP_8_11	TXOP for TID 8 to 11	page 272
0x181081FC	WMAC_PCU_TXOP_12_15	TXOP for TID 0 to 3	page 273
0x18108200	WMAC_PCU_GENERIC_TIMERS[0:15]	Generic Timers	page 273
0x18108240	WMAC_PCU_GENERIC_TIMERS_MODE	Generic Timers Mode	page 273
0x18108244	WMAC_PCU_SLP32_MODE	32 KHz Sleep Mode	page 274
0x18108248	WMAC_PCU_SLP32_WAKE	32 KHz Sleep Wake	page 274
0x1810824C	WMAC_PCU_SLP32_INC	32 KHz Sleep Increment	page 274
0x18108250	WMAC_PCU_SLP_MIB1	Sleep MIB Sleep Count	page 275
0x18108254	WMAC_PCU_SLP_MIB2	Sleep MIB Cycle Count	page 275
0x18108258	WMAC_PCU_SLP_MIB3	Sleep MIB Control Status	page 275
0x1810825C	WMAC_PCU_WOW1	MAC PCU Wake-on-Wireless (WoW) 1	page 276
0x18108260	WMAC_PCU_WOW2	MAC PCU WoW 2	page 276
0x18108270	WMAC_PCU_WOW3_BEACON_FAIL	MAC PCU WoW Beacon Fail Enable	page 276
0x18108274	WMAC_PCU_WOW3_BEACON	MAC PCU WoW Beacon Fail Timeout	page 277
0x18108278	WMAC_PCU_WOW3_KEEP_ALIVE	MAC PCU WoW Keep Alive Timeout	page 277
0x1810827C	WMAC_PCU_WOW_KA	MAC PCU WoW Automatic Keep Alive Disable	page 277
0x18108294	PCU_WOW4	WoW Offset 1	page 277
0x18108298	PCU_WOW5	WoW Offset 2	page 278

Table 8-18. WPCU Registers (continued)

Address	Name	Description	Page
0x18108318	WMAC_PCU_20_40_MODE	Global Mode	page 278
0x18108328	WMAC_PCU_RX_CLEAR_DIFF_CNT	Difference RX_CLEAR Counter	page 278
0x18108330	WMAC_PCU_BA_BAR_CONTROL	Control Registers for Block BA Control Fields	page 279
0x18108334	WMAC_PCU_LEGACY_PLCP_SPOOF	Legacy PLCP Spoof	page 279
0x18108338	WMAC_PCU_PHY_ERROR_MASK_CONT	PHY Error Mask and EIFS Mask	page 279
0x1810833C	WMAC_PCU_TX_TIMER	Tx Timer	page 280
0x1810834C	WMAC_PCU_WOW6	MAC PCU WoW 6	page 280
0x1810835C	WMAC_PCU_WOW5	MAC PCU WoW 5	page 280
0x1818360	WMAC_PCU_WOW_LENGTH1	Length of Pattern Match for Pattern 0	page 280
0x1818364	WMAC_PCU_WOW_LENGTH2	Length of Pattern Match for Pattern 1	page 281
0x1818368	WOW_PATTERN_MATCH_LESS_THAN_256_BYTES	Enable Control for Pattern Match Feature of WOW	page 281
0x1818370	WMAC_PCU_WOW4	MAC PCU WoW 4	page 281
0x1818374	WOW2_EXACT	Exact Length and Offset Requirement Flag for WoW Patterns	page 281
0x1818378	PCU_WOW6	WoW Offset 2	page 282
0x181837C	PCU_WOW7	WoW Offset 3	page 282
0x1818380	WMAC_PCU_WOW_LENGTH3	Length of Pattern Match for Pattern 0	page 282
0x1818384	WMAC_PCU_WOW_LENGTH4	Length of Pattern Match for Pattern 0	page 282
0x181083A4	WMAC_PCU_TID_TO_AC	TID Value Access Category	page 283
0x181083A8	WMAC_PCU_HP_QUEUE	High Priority Queue Control	page 283
0x181083C8	WMAC_PCU_HW_BCN_PROC1	Hardware Beacon Processing 1	page 284
0x181083CC	WMAC_PCU_HW_BCN_PROC2	Hardware Beacon Processing 2	page 284
0x18108800	WMAC_PCU_KEY_CACHE[0:1023]	Key Cache Lower Half	page 285

### 8.17.1 STA Address Lower 32 Bits (WMAC\_PCU\_STA\_ADDR\_L32)

Offset: 0x18108000

Access: Hardware = Read-Only

Software = Read/Write

Reset Value: 0x0

Bit	Name	Description
31:0	ADDR_31_0	Lower 32 bits of STA MAC address (PCU_STA_ADDR[31:0])

### 8.17.2 STA Address Upper 16 Bits (WMAC\_PCU\_STA\_ADDR\_U16)

Offset: 0x18108004

This register contains the lower 32 bits of the STA address.

Access: Hardware = Read-Only

Software = Read/Write

Reset Value: 0x2000\_0000

Bit	Name	Description
31	REG_ADHOC_MCAST_SEARCH	Enables the key cache search for ad hoc MCAST packets
30	PCU_CBCIV_ENDIAN	Endianess of IV in CBC nonce
29	REG_PRESERVE_SEQNUM	Stops PCU from replacing the sequence number; must be set to 1
28	PCU_KSRCH_MODE	Search key cache first. If not, match use offset for IV = 0, 1, 2, 3. ■ If KSRCH_MODE = 0 then do not search ■ If IV = 1, 2, or 3, then search ■ If IV = 0, do not search
27	REG_CRPT_MIC_ENABLE	Enables the checking and insertion of MIC in TKIP
26	RES	Reserved
25	PCU_BSRATE_11B	802.11b base rate 0 Use all rates 1 Use only 1–2 Mbps
24	PCU_ACKCTS_6MB	Use 6 Mbps rate for ACK and CTS
23:21	RES	Reserved
20	PCU_PCF	Set if associated AP is PCF capable
19	PCU_NO_KEYSEARCH	Disable key search
18	PCU_PSMODE	Set if STA is in power-save mode
17	PCU_ADHOC	Set if STA is in an ad hoc network
16	PCU_AP	Set if STA is an AP
15:0	PCU_STA_ADDR[47:32]	Upper 16 bits of STA MAC address

### 8.17.3 BSSID Lower 32 Bits (WMAC\_PCU\_BSSID\_L32)

Offset: 0x18108008

This register contains the lower 32 bits of the BSS identification information.

Access: Hardware = Read-Only

Software = Read/Write

Reset Value: 0x0

Bit	Name	Description
31:0	PCU_BSSID[31:0]	Lower 32 bits of BSSID

### 8.17.4 BSSID Upper 16 Bits (WMAC\_PCU\_BSSID\_U16)

Offset: 0x1810800C

This register contains the upper 32 bits of the BSS identification information.

Access: Hardware = Read-Only

Software = Read/Write

Reset Value: 0x0

Bit	Name	Description
31:17	RES	Reserved
26:16	PCU_AID	Association ID
15:0	PCU_BSSID[47:32]	Upper 16 bits of BSSID

**8.17.5 Beacon RSSI Average (WMAC\_PCU\_BCN\_RSSI\_AVE)**

Offset: 0x18108010

Access: Hardware = Read/Write

Software = Read-Only

Reset Value: 0x800

Bit	Name	Description
31:12	RES	Reserved
11:0	REG_BCN_RSSI_AVE	Holds the average RSSI with 1/16 dB resolution. The RSSI is averaged over multiple beacons which matched our BSSID. AVE_VALUE is 12 bits with 4 bits below the normal 8 bits. These lowest 4 bits provide for a resolution of 1/16 dB. The averaging function is depends on the BCN_RSSI_WEIGHT; determines the ratio of weight given to the current RSSI value compared to the average accumulated value.

**8.17.6 ACK and CTS Timeout (WMAC\_PCU\_ACK\_CTS\_TIMEOUT)**

Offset: 0x18108014

Access: Hardware = Read-Only

Software = Read/Write

Reset Value: 0x0

Bit	Name	Description
31:30	RES	Reserved
29:16	PCU_CTS_TIMEOUT	Timeout while waiting for CTS (in cycles)
15:14	RES	Reserved
13:0	PCU_ACK_TIMEOUT	Timeout while waiting for ACK (in cycles)

**8.17.7 Beacon RSSI Control (WMAC\_PCU\_BCN\_RSSI\_CTL)**

Offset: 0x18108018

Access: Hardware = Read-Only

Software = Read/Write

Reset Value: 0x0

Bit	Name	Description
31:30	RES	Reserved
29	REG_BCN_RSSI_RST_STROBE	The BCN_RSSI_RESET clears "BCN_RSSI_AVE" to aid in changing channels
28:24	REG_BCN_RSSI_WEIGHT	Used to calculate "BCN_RSSI_AVE"
23:16	RES	Reserved
15:8	PCU_BCN_MISS_THR	Threshold at which the beacon miss interrupt asserts. Because the beacon miss counter increments at TBTT, it increments to 1 before the first beacon.
7:0	PCU_RSSI_THR	The threshold at which the beacon low RSSI interrupt is asserted when the average RSSI ("BCN_RSSI_AVE") below this level



### 8.17.8 Ms Counter and Rx/Tx Latency (WMAC\_PCU\_USEC\_LATENCY)

Offset: 0x1810801C

Access: Hardware = Read-Only

Software = Read/Write

Reset Value: 0x0

Bit	Name	Description
31:29	RES	Reserved
28:23	PCU_RXDELAY	Baseband Rx latency to start of SIGNAL (in $\mu$ s)
22:14	PCU_TXDELAY	Baseband Tx latency to start of timestamp in beacon frame (in $\mu$ s)
13:0	RES	Reserved

### 8.17.9 Reset TSF (WMAC\_PCU\_RESET\_TSF)

Offset: 0x18108020

Access: Hardware = Read/Write

Software = Read/Write

Reset Value: 0x0

Controls beacon operation by the PCU.

Bit	Name	Description
31:26	RES	Reserved
25	ONE_SHOT	Setting this bit causes the TSF2 to reset. This register clears immediately after reset.
24	ONE_SHOT	Setting this bit causes the TSF to reset. This register clears immediately after reset.
23:0	RES	Reserved

### 8.17.10 Maximum CFP Duration (WMAC\_PCU\_MAX\_CFP\_DUR)

Offset: 0x18108038

Access: Hardware = Read-Only

Software = Read/Write

Reset Value: 0x0

Contains the maximum time for a CFP.

Bit	Name	Description
31:28	RES	Reserved
27	USEC_FRAC _DENOMINATOR[27:24]	See description for the WMAC_PCU_USEC_LATENCY register bit USEC
23:20	RES	Reserved
16:16	USEC_FRAC _DENOMINATOR[19:16]	See description for the WMAC_PCU_USEC_LATENCY register bit USEC
15:0	VALUE[15:0]	Maximum contention free period duration (in $\mu$ s)

**8.17.11 Rx Filter (WMAc\_PcU\_Rx\_Filter)**

Offset: 0x1810803C

Access: Hardware = Read-Only

Software = Read/Write

Reset Value: 0x0

This register determines Rx frame filtering.

**NOTE:** If any bit is set, the corresponding packet types pass the filter and DMA. All filter conditions except the promiscuous setting rely on the no early PHY error and protocol version being checked to ensure it is version 0.

Bit	Name	Description
31:19	RES	Reserved
18	MGMT_ACTION_MCAST	Enable receive of multicast frames for management action frames
17	HW_BCN_PROC_ENABLE	If set, the beacon frame with matching BSSID is filtered per hardware beacon processing logic. See the HW_BCN_PROC register.
16	RST_DLMTR_CNT_DISABLE	Clearing this bit resets the ST_DLMTR_CNT to 0 when RXSM.STATE leaves the START_DELIMITER state.
15	MCAST_BCAST_ALL	Enables receipt of all multicast and broadcast frames
14	PS_POLL	Enables receipt of PS-POLL
13:10	RES	Reserved
9	MY_BEACON	Retrieves any beacon frame with matching SSID
8	RES	Reserved
7	PROBE_REQ	Probe request enable; enables reception of all probe request frames
6	RES	Reserved
5	PROMISCUOUS	Promiscuous Rx enable; enables reception of all frames, including errors
4	BEACON	Beacon frame enable; enables reception of beacon frames.
3	CONTROL	Control frame enable; enables reception of control frames
2	BROADCAST	Broadcast frame enable; enables reception of non beacon broadcast frames that originate from the BSS whose ID matches BSSID
1	MULTICAST	Multicast frame enable; enables reception of multicast frames that match the multicast filter
0	UNICAST	Unicast frame enable; enables reception of unicast (directed) frames that match the STA address

**8.17.12 Multicast Filter Mask Lower 32 Bits (WMAc\_PcU\_McAst\_Filter\_L32)**

Offset: 0x18108040

Access: Hardware = Read-Only

Software = Read/Write

Reset Value: 0x0

Bit	Name	Description
31:0	PCU_MCAST_MASK	Multicast filter mask low. Lower 32 bits of multicast filter mask.

**8.17.13 Multicast Filter Mask Upper 32 Bits (WMAc\_PcU\_McAst\_Filter\_U32)**

Offset: 0x18108044

Access: Hardware = Read-Only

Software = Read/Write

Reset Value: 0x0

Bit	Name	Description
31:0	PCU_MCAST_MASK	Multicast filter mask high. Upper 32 bits of multicast filter mask.

### 8.17.14 Diagnostic Switches (WMAC\_PCU\_DIAG\_SW)

Offset: 0x18108048

Access: Hardware = Read-Only

Software = Read/Write

Reset Value: 0x0

Controls the operation of the PCU, including enabling/disabling acknowledgements, CTS, transmission, reception, encryption, loopback, FCS, channel information, and scrambler seeds.

Bit	Name	Description
31:30	RES	Reserved
29	RX_CLEAR_EXT_LOW	Force the RX_CLEAR_EXT signal to appear to the MAC as being low
28	RX_CLEAR_CTL_LOW	Force the RX_CLEAR_CTL signal to appear to the MAC as being low
27	RES	Reserved
26	SATURATE_CYCLE_CNT	The saturate cycle count bit, if set, causes the “Cycle Counter (WMAC_PCU_CYCLE_CNT)” register to saturate instead of shifting to the right by 1 every time the count reaches 0xFFFFFFFF. This saturate condition also holds the RX_CLEAR, RX_FRAME, and TX_FRAME counts.
25	FORCE_RX_ABORT	Force Rx abort bit in conjunction with Rx block aids quick channel change to shut down Rx. The force Rx abort bit kills with the Rx_abort any frame currently transferring between the MAC and baseband. while the RX block bit prevents any new frames from getting started.
24:23	RES	Reserved
22	CHAN_IDLE_HIGH	Force channel idle high
21	IGNORE_NAV	Ignore virtual carrier sense (NAV)
20	RX_CLEAR_HIGH	Force RX_CLEAR high
19:18	RES	Reserved
17	ACCEPT_NON_V0	Enable or disable protocol field
16:7	RES	Reserved
6	LOOP_BACK	Enable or disable Tx data loopback
5	HALT_RX	Enable or disable reception
4	NO_DECRYPT	Enable or disable decryption
3	NO_ENCRYPT	Enable or disable encryption
2	NO_CTS	Enable or disable CTS generation
1	NO_ACK	Enable or disable acknowledgement generation for all frames
0	PCU_INVALIDKEY_NOACK	Enable or disable acknowledgement when a valid key is not found for the received frames in the key cache.

**8.17.15TSF Lower 32 Bits (WMAC\_PCU\_TSF\_L32)**

Offset: 0x1810804C

Access: Hardware = Read/Write

Software = Read/Write

Reset Value: 0xFFFFFFFF

Bit	Name	Description
31:0	VALUE	The timestamp value in $\mu$ s Writes to this register do not cause the TSF to change. Rather, the value is held in a temporary staging area until this register is written, at which point both the lower and upper parts of the TSF are loaded. A read result of 0xFFFFFFFF indicates that the read occurred before TSF logic came out of sleep. It may take up to 45 $\mu$ s after the chip is brought out of sleep for the TSF logic to wake.

**8.17.16TSF Upper 32 Bits (WMAC\_PCU\_TSF\_U32)**

Offset: 0x18108050

Access: Hardware = Read/Write

Software = Read/Write

Reset Value: 0xFFFFFFFF

Bit	Name	Description
31:0	VALUE	The timestamp value in $\mu$ s

**8.17.17AES Mute Mask 0 (WMAC\_PCU\_AES\_MUTE\_MASK\_0)**

Offset: 0x1810805C

Access: Hardware = Read-Only

Software = Read/Write

Reset Value: See field description

Bit	Name	Reset	Description
31:16	QOS_MUTEMASK	0xFFFF	AES mute mask for TID field
15:0	FC_MUTEMASK	0x478F	AES mute mask for frame control field

**8.17.18AES Mute Mask 1 (WMAC\_PCU\_AES\_MUTE\_MASK\_1)**

Offset: 0x18108060

Access: Hardware = Read-Only

Software = Read/Write

Reset Value: See field description

Bit	Name	Reset	Description
31:16	FC_MGMT	0xE7FF	AES mute mask for management frame control field
15:0	SEQ_MUTEMASK	0x000F	AES mute mask for sequence number field

**8.17.19 Last Rx Beacon TSF (WMAC\_PCU\_LAST\_BEACON\_TSF)**

Offset: 0x18108080

Access: Hardware = Write-only  
Software = Read-Only

Reset Value: 0x0

This threshold register indicates the minimum amount of data required before initiating a transmission.

Bit	Name	Description
31:0	LAST_TSTP	Beacon timestamp. Lower 32 bits of timestamp of the last beacon received.

**8.17.20 Current NAV (WMAC\_PCU\_NAV)**

Offset: 0x18108084

Access: Hardware = Read/Write  
Software = Read/Write

Reset Value: 0x0

Bit	Name	Description
31:26	RES	Reserved
25:0	CS_NAV	Current NAV value (in $\mu$ s)

**8.17.21 Successful RTS Count (WMAC\_PCU\_RTS\_SUCCESS\_CNT)**

Offset: 0x18108088

Access: Hardware = Read/Write  
Software = Read-Only

Reset Value: 0x0

This register counts the number of successful RTS exchanges. The counter stops at 0xFFFF. After a read, automatically resets to 0.

Bit	Name	Description
31:16	RES	Reserved
15:0	RTS_OK	RTS/CTS exchange success counter

**8.17.22 Failed RTS Count (WMAC\_PCU\_RTS\_FAIL\_CNT)**

Offset: 0x1810808C

Access: Hardware = Read/Write  
Software = Read-Only

Reset Value: 0x0

This register counts the number of failed RTS exchanges. The counter stops at 0xFFFF. After a read, this register is automatically reset to 0.

Bit	Name	Description
31:16	RES	Reserved
15:0	RTS_FAIL	RTS/CTS exchange failure counter

**8.17.23 FAIL ACK Count (WMAC\_PCU\_ACK\_FAIL\_CNT)**

Offset: 0x18108090

Access: Hardware = Read/Write

Software = Read-Only

Reset Value: 0x0

This register counts the number of failed acknowledgements. The counter stops at 0xFFFF. After a read, this register is automatically reset to 0.

Bit	Name	Description
31:16	RES	Reserved
15:0	ACK_FAIL	DATA/ACK failure counter

**8.17.24 Failed FCS Count (WMAC\_PCU\_FCS\_FAIL\_CNT)**

Offset: 0x18108094

Access: Hardware = Read/Write

Software = Read-Only

Reset Value: 0x0

This register counts the number of failed frame check sequences. The counter stops at 0xFFFF. After a read, this register is automatically reset to 0.

Bit	Name	Description
31:16	RES	Reserved
15:0	FCS_FAIL	FCS failure counter

**8.17.25 Beacon Count (WMAC\_PCU\_BEACON\_CNT)**

Offset: 0x18108098

Access: Hardware = Read/Write

Software = Read-Only

Reset Value: 0x0

This register counts the number of valid beacon frames received. The counter stops at 0xFFFF. After a read, automatically resets to 0.

Bit	Name	Description
31:16	RES	Reserved
15:0	BEACONCNT	Valid beacon counter

**8.17.26 Sleep 1 (WMAC\_PCU\_SLP1)**

Offset: 0x181080D4

Access: Hardware = Read/Write

Software = Read-Only

Reset Value: 0x0

The Sleep 1 register in conjunction with the "Sleep 2 (WMAC\_PCU\_SLP2)" register, controls when the AR9344 should wake when waiting for AP Rx traffic. Sleep registers are only used when the AR9344 is in STA mode.

Bit	Name	Reset	Description
31:21	CAB_TIMEOUT	0x5	Time in 1/8 TU the PCU waits for CAB after receiving the beacon or the previous CAB; insures that if no CAB is received after the beacon or if a long gap occurs between CABs, CAB powersave state returns to idle.
20	RES	0x0	Reserved
19	ASSUME_DTIM	0x0	A mode bit which indicates whether to assume a beacon was missed when the SLP_BEACON_TIMEOUT occurs with no received beacons, in which case is assumes the DTIM was missed, and waits for CAB.
18:0	RES	0x0	Reserved

**8.17.27 Sleep 2 (WMAC\_PCU\_SLP2)**

Offset: 0x181080D8

Access: Hardware = Read/Write

Software = Read-Only

Reset Value: 0x2

Bit	Name	Description
31:21	BEACON_TIMEOUT	Time in TU that the PCU waits for a beacon after waking up. If this time expires, the PCU woke due to SLP_NEXT_DTIM, and SLP_ASSUME_DTIM is active, then it assumes the beacon was missed and goes directly to watching for CAB. Otherwise when this time expires, the beacon powersave state returns to idle.
20:0	RES	Reserved

**8.17.28 Address 1 Mask Lower 32 Bits (WMAC\_PCU\_ADDR1\_MASK\_L32)**

Offset: 0x181080E0

Access: Hardware = Read-Only

Software = Read/Write

Reset Value: 0xFFFFFFFF

This STA register provides multiple BSSID support when the AR9344 is in AP mode.

Bit	Name	Description
31:0	STA_MASK_L	STA address mask lower 32-bit register. Provides multiple BSSID support.

**8.17.29 Address 1 Mask Upper 16 Bits (WMAC\_PCU\_ADDR1\_MASK\_U16)**

Offset: 0x181080E4

Access: Hardware = Read-Only

Software = Read/Write

Reset Value: 0xFFFF

This STA register provides multiple BSSID support when the AR9344 is in AP mode.

Bit	Name	Description
31:16	RES	Reserved
15:0	STA_MASK_L	STA address mask upper 16-bit register. Provides multiple BSSID support.

**8.17.30 Tx Power Control (WMAC\_PCU\_TPC)**

Offset: 0x181080E8

Access: Hardware = Read-Only

Software = Read/Write

Reset Value: 0x3F

The 6-bit Tx power control sent from the MAC to the baseband is typically controlled using the Tx descriptor field. But self-generated response frames such as ACK, CTS, and chirp that do not have a Tx descriptor use the values in the Tx power control register instead.

Bit	Name	Description
31:30	RES	Reserved
29:24	RPT_PWR	Tx power control for self-generated action/NoACK frame
23:22	RES	Reserved
21:16	CHIRP_PWR	Tx power control for chirp
15:14	RES	Reserved
13:8	CTS_PWR	Tx power control for CTS
7:6	RES	Reserved
5:0	ACK_PWR	Tx power control for ACK

**8.17.31 Tx Frame Counter (WMAC\_PCU\_TX\_FRAME\_CNT)**

Offset: 0x181080EC

The Tx frame counter counts the number of cycles the TX\_FRAME signal is active.

Access: Hardware = Read/Write

Software = Read/Write

Reset Value: 0x0

Bit	Name	Description
31:0	TX_FRAME_CNT	Counts the number of cycles the TX_FRAME signal is active

**8.17.32 Rx Frame Counter (WMAC\_PCU\_RX\_FRAME\_CNT)**

Offset: 0x181080F0

The receive frame counter counts the number of cycles the RX\_FRAME signal is active.

Access: Hardware = Read/Write

Software = Read/Write

Reset Value: 0x0

Bit	Name	Description
31:0	RX_FRAME_CNT	Counts the number of cycles the RX_FRAME signal is active

**8.17.33 Rx Clear Counter (WMAC\_PCU\_RX\_CLEAR\_CNT)**

Offset: 0x181080F4

The receive clear counter counts the number of cycles the RX\_CLEAR signal is not active.

Access: Hardware = Read/Write

Software = Read/Write

Reset Value: 0x0

Bit	Name	Description
31:0	RX_CLEAR_CNT	Counts the number of cycles the RX_CLEAR signal is low

**8.17.34 Cycle Counter (WMAC\_PCU\_CYCLE\_CNT)**

Offset: 0x181080F8

The cycle counter counts the number of clock cycles.

Access: Hardware = Read/Write

Software = Read/Write

Reset Value: 0x0

Bit	Name	Description
31:0	CYCLE_CNT	Counts the number of clock cycles

**8.17.35 Quiet Time 1 (WMAC\_PCU\_QUIET\_TIME\_1)**

Offset: 0x181080FC

The Quiet Time registers implement the quiet time function specified in the proposed 802.11h extension supporting radar detection.

Access: Hardware = Read-Only

Software = Read/Write

Reset Value: 0x0

Bit	Name	Description
31:18	RES	Reserved
17	QUIET_ACK_CTS_ENABLE	If set, then the MAC sends an ACK or CTS in response to a received frame
16:0	RES	Reserved



### 8.17.36 Quiet Time 2 (WMAC\_PCU\_QUIET\_TIME\_2)

Offset: 0x18108100

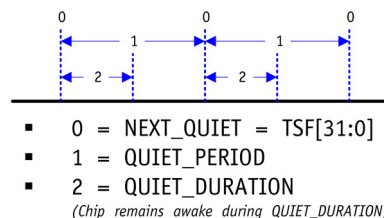
Access: Hardware = Read-Only

Software = Read/Write

Reset Value: 0x0

The Quiet Time registers implement the quiet time function specified in the proposed 802.11h extension supporting radar detection.

**NOTE:** QUIET\_ENABLE is implemented as GENERIC\_TIMER\_ENABLE and NEXT\_QUIET as GENERIC\_TIMER\_NEXT. QUIET\_PERIOD is implemented as GENERIC\_TIMER\_PERIOD.



Bit	Name	Description
31:16	QUIET_DURATION	The length of time in TUs (TU = 1024 $\mu$ s) that the chip is required to be quiet
15:0	RES	Reserved

### 8.17.37 QoS NoACK (WMAC\_PCU\_QOS\_NO\_ACK)

Offset: 0x18108108

Access: Hardware = Read-Only

Software = Read/Write

Reset Value: 0x52

This register provides a mechanism to locate the NoACK information in the QoS field and determine which encoding means NoACK.

Bit	Name	Description	
31:9	RES	Reserved	
8:7	NOACK_BYTE_OFFSET	Number of bytes from the byte after end of the header of a data packet to the byte location where NoACK information is stored. (The end of the header is at byte offset 25 for 3-address packets and 31 for 4-address packets.)	
6:4	NOACK_BIT_OFFSET	Offsets from the byte where the NoACK information should be stored; offset can range from 0 to 6 only	
3:0	NOACK_2_BIT_VALUES	These values are of a two bit field that indicate NoACK	
		<b>NOACK_2_BIT_VALUE</b>	<b>Encoding Matching NoACK</b>
		xxx1	00
		xx1x	01
		x1xx	10
1xxx	11		

**8.17.38PHY Error Mask (WMAC\_PCU\_PHY\_ERROR\_MASK)**

Offset: 0x1810810C

Access: Hardware = Read-Only

Software = Read/Write

Reset Value: 0x2

**NOTE:** Provides the ability to choose which PHY errors to filter from the BB; the number offsets into this register. If the mask value at the offset is 0, the error filters and does not show on the Rx queue.

Bit	Name	Description
31	ERROR CCK RESTART	CCK restart error
30	ERROR CCK SERVICE	CCK service error
29:28	RES	Reserved
27	ERROR CCK RATE_ILLEGAL	CCK illegal rate error
26	ERROR CCK HEADER_CRC	CCK CRC header error
25	ERROR CCK TIMING	False detection for CCK
24	RES	Reserved
23	ERROR OFDM RESTART	OFDM restart error
22	ERROR OFDM SERVICE	OFDM service error
21	ERROR OFDM POWER_DROP	OFDM power drop error
20	ERROR OFDM LENGTH_ILLEGAL	OFDM illegal length error
19	ERROR OFDM RATE_ILLEGAL	OFDM illegal rate error
18	ERROR OFDM SIGNAL_PARITY	OFDM signal parity error
17	ERROR OFDM TIMING	False detection for OFDM
16:8	RES	Reserved
7	ERROR TX_INTERRUPT_RX	Transmit interrupt
6	ERROR ABORT	Abort error
5	ERROR RADAR_DETECT	Radar detect error
4	ERROR PANIC	Panic error
3:1	RES	Reserved
0	ERROR TRANSMIT_UNDERRUN	Transmit underrun error

**8.17.39Rx Buffer (WMAC\_PCU\_RXBUF)**

Offset: 0x18108114

Access: Hardware = Read-Only

Software = Read/Write

Reset Value: See field description

Bit	Name	Reset	Description
31:12	RES	0x0	Reserved
11	REG_RD_ENABLE	0x0	When reading WMAC_PCU_BUF with this bit set, hardware returns the contents of the receive buffer.
10:0	HIGH_PRIORITY_THRSHD	0x7FF	When number of valid entries in the receive buffer is larger than this threshold, the host interface logic gives the higher priority to receive side to prevent receive buffer overflow.

### 8.17.40 QoS Control (WMAC\_PCU\_MIC\_QOS\_CONTROL)

Offset: 0x18108118

Access: Hardware = Read-Only

Software = Read/Write

Reset Value: 0xAA

Bit	Name	Description	
31:17	RES	Reserved	
16	MIC_QOS_ENABLE	Enable MIC QoS control	
		0	Disable hardware Michael
		1	Enable hardware Michael
15:14	MIC_QOS_CONTROL [7]	MIC QoS control [7]. See options for "MIC_QOS_CONTROL [0]".	
13:12	MIC_QOS_CONTROL [6]	MIC QoS control [6]. See options for "MIC_QOS_CONTROL [0]".	
11:10	MIC_QOS_CONTROL [5]	MIC QoS control [5]. See options for "MIC_QOS_CONTROL [0]".	
9:8	MIC_QOS_CONTROL [4]	MIC QoS control [4]. See options for "MIC_QOS_CONTROL [0]".	
7:6	MIC_QOS_CONTROL [3]	MIC QoS control [3]. See options for "MIC_QOS_CONTROL [0]".	
5:4	MIC_QOS_CONTROL [2]	MIC QoS control [2]. See options for "MIC_QOS_CONTROL [0]".	
3:2	MIC_QOS_CONTROL [1]	MIC QoS control [1]. See options for "MIC_QOS_CONTROL [0]".	
1:0	MIC_QOS_CONTROL [0]	MIC QoS control [0]	
		0	Use 0 when calculating Michael
		1	Use 1 when calculating Michael
		2	Use MIC_QOS_SELECT when calculating Michael
		3	Use inverse of MIC_QOS_SELECT when calculating Michael

### 8.17.41 Michael QoS Select (WMAC\_PCU\_MIC\_QOS\_SELECT)

Offset: 0x1810811C

Access: Hardware = Read-Only

Software = Read/Write

Reset Value: 0x3210

Bit	Name	Description
31:28	MIC_QOS_SELECT [7]	MIC QoS select [7]. Select the OOS TID bit when calculating Michael.
27:24	MIC_QOS_SELECT [6]	MIC QoS select [6]. Select the OOS TID bit when calculating Michael.
23:20	MIC_QOS_SELECT [5]	MIC QoS select [5]. Select the OOS TID bit when calculating Michael.
19:16	MIC_QOS_SELECT [4]	MIC QoS select [4]. Select the OOS TID bit when calculating Michael.
15:12	MIC_QOS_SELECT [3]	MIC QoS select [3]. Select the OOS TID bit when calculating Michael.
11:8	MIC_QOS_SELECT [2]	MIC QoS select [2]. Select the OOS TID bit when calculating Michael.
7:4	MIC_QOS_SELECT [1]	MIC QoS select [1]. Select the OOS TID bit when calculating Michael.
3:0	MIC_QOS_SELECT [0]	MIC QoS select [0]. Select the OOS TID bit when calculating Michael.

**8.17.42 Miscellaneous Mode (WMAc\_PcU\_MISC\_MODE)**

Offset: 0x18108120

Access: Hardware = Read-Only

Software = Read/Write

Reset Value: See field description

Bit	Name	Reset	Description
31:29	RES	0x0	Reserved
28	ALWAYS_PERFORM_KEY_SEARCH	0x0	If this bit is set, key search is performed for every frame in an aggregate. If this bit is cleared, key search is only performed for the first frame of an aggregate. Unless the transmitter address is different between the frames in an aggregate. This bit has no effect on non-aggregate frame packets.
27	SEL_EVM	0x1	If set, the EVM field of the Rx descriptor status contains the EVM data received from the BB. If cleared, the EVM field of the Rx descriptor status contains 3 bytes of Legacy PLCP, 2 service bytes, and 6 bytes of HP PLCP.
26	CLEAR_BA_VALID	0x0	If set, the state of the block ACK storage is invalidated.
25:22	RES	0x0	Reserved
21	TBTT_PROTECT	0x1	If set, then the time from TBTT to 20 $\mu$ s after TBTT is protected from transmit. Turn this off in ad hoc mode or if this MAC is used in the AP.
20	RES	0x1	Reserved
19	RES	0x0	Reserved
18	FORCE_QUIET_COLLISION	0x0	If set, the PCU thinks that it is in quiet collision period, kills any transmit frame in progress, and prevents any new frame from starting.
17:13	RES	0x0	Reserved
12	TXOP_TBTT_LIMIT_ENABLE	0x0	If this limit is set, then logic to limit the value of the duration to fit the time remaining in TXOP and time remaining until TBTT is turned on. This logic will also filter frames, which will exceed TXOP.
11:5	RES	0x0	Reserved
4	CCK_SIFS_MODE	0x0	If set, the chip assumes that it is using 802.11g mode where SIFS is set to 10 $\mu$ s and non-CCK frames must add 6 to SIFS to make it CCK frames. This bit is needed in duration calculation, as is the SIFS_TIME register.
3	TX_ADD_TSF	0x0	If the TX_ADD_TSF bit is set, the TSF in the transmit packet will be added to the internal TSF value for transmit beacons and prob_response frames.
2	MIC_NEW_LOCATION_ENABLE	0x0	If MIC_NEW_LOCATION_ENABLE is set, the Tx Michael Key is assumed to be co-located in the same entry where the Rx Michael key is.
1	RES	0x0	Reserved
0	BSSID_MATCH_FORCE	0x0	If the BSSID_MATCH_FORCE bit is set, all logic based on matching the BSSID thinks that the BSSID matches.

**8.17.43 Filtered OFDM Counter (WMAc\_PcU\_FILTER\_OFDM\_CNT)**

Offset: 0x18108124

Access: Hardware = Read/Write

Software = Read/Write

Reset Value: 0x0

The filtered OFDM counters use the MIB control signals.

Bit	Name	Description
31:24	RES	Reserved
23:0	FILTOFDM_CNT	Counts the OFDM frames that were filtered using MIB control signals. The MIB freeze register holds all the values of these registers, and MIB zeros out all the values of these registers. PIB MIB forces incrementation of all registers in each cycle. This counter saturates at the highest value and is writable. If the upper two bits of these counters are b11, PCU_MIB_THRESHOLD is asserted and an interrupt generated.

**8.17.44 Filtered CCK Counter (WMAC\_PCU\_FILTER\_CCK\_CNT)**

Offset: 0x18108128

Access: Hardware = Read/Write  
Software = Read/Write

Reset Value: 0x0

Bit	Name	Description
31:24	RES	Reserved
23:0	FILT_CCK_CNT	Counts the CCK frames that were filtered using MIB control signals. The MIB freeze register holds all the values of these registers, and MIB zeros out all the values of these registers. PIB MIB forces incrementation of all registers in each cycle. This counter saturates at the highest value and is writable. If the upper two bits of these counters are b11, PCU_MIB_THRESHOLD is asserted and an interrupt generated.

**8.17.45 PHY Error Counter 1 (WMAC\_PCU\_PHY\_ERR\_CNT\_1)**

Offset: 0x1810812C

Access: Hardware = Read/Write  
Software = Read/Write

Reset Value: 0x0

The PHY error counters count any PHY error matching the respective mask. The bits of 32-bit

masks correspond to the first 32 encoded values of the error. Setting multiple bits in the mask provides an ORing function to provide flexibility in counting. For example, if setting the mask bits to 0xFF0000FF, then all PHY errors from 0–7 and 24–31 are counted.

Bit	Name	Description
31:24	RES	Reserved
23:0	PHY_ERROR_CNT1	Counts any PHY error1 using MIB control signals. The MIB freeze register holds all the values of these registers, and MIB zeros out all the values of these registers. PIB MIB forces incrementation of all registers in each cycle. Counter saturates at the highest value and is writable. If the upper two counter bits are b11, PCU_MIB_THRESHOLD is asserted and an interrupt generated.

**8.17.46 PHY Error Counter 1 Mask (WMAC\_PCU\_PHY\_ERR\_CNT\_1\_MASK)**

Offset: 0x18108130

Access: Hardware = Read-Only  
Software = Read/Write

Reset Value: 0x0

Bit	Name	Description
31:0	PHY_ERROR_CNT_MASK1	Counts any error that matches the PHY error1 mask. The values of any 32-bit masks correspond to the first 32 encoded values of the error. Setting multiple bits in the mask provides an ORing function to allow counting flexibility (e.g., setting the mask to 0xFF0000FF means all PHY errors from [7:0] and [31:24] are counted).

**8.17.47 PHY Error Counter 2 (WMAC\_PCU\_PHY\_ERR\_CNT\_2)**

Offset: 0x18108134

Access: Hardware = Read-Only  
Software = Read/Write

Reset Value: 0x0

Bit	Name	Description
31:24	RES	Reserved
23:0	PHY_ERROR_CNT	Counts any error that matches the PHY error2 mask. The values of any 32-bit masks correspond to the first 32 encoded values of the error. Setting multiple bits in the mask provides an ORing function to allow counting flexibility (e.g., setting the mask to 0xFF0000FF means all PHY errors from 0:7 and 24:31 are counted).

**8.17.48 PHY Error Counter 2 Mask (WMAC\_PCU\_PHY\_ERR\_CNT\_2\_MASK)**

Offset: 0x18108138

Access: Hardware = Read-Only  
Software = Read/Write

Reset Value: 0x0

Bit	Name	Description
31:0	PHY_ERROR_CNT_MASK2	Counts any PHY error2 using MIB control signals. The MIB freeze register holds all the values of these registers, and MIB zeros out all values of these registers. PIB MIB forces incrementation of all registers in each cycle. This counter saturates at the highest value and is writable. If the upper two bits of these counters are b11, PCU_MIB_THRESHOLD is asserted, generating an interrupt.

**8.17.49 TSF Threshold (WMAC\_PCU\_TSF\_THRESHOLD)**

Offset: 0x1810813C

Access: Hardware = Read-Only  
Software = Read/Write

Reset Value: 0xFFFF

Bit	Name	Description
31:16	RES	Reserved
15:0	TSF_THRESHOLD	Asserts the PCU_TSF_OUT_OF_RANGE_INTER if the corrected receive TSF in a beacon is different from the internal TSF by more than this threshold.

**8.17.50 PHY Error EIFS Mask (WMAC\_PCU\_PHY\_ERROR\_EIFS\_MASK)**

Offset: 0x18108144

Access: Hardware = Read-Only  
Software = Read/Write

Reset Value: 0x0

Bit	Name	Description
31:0	VALUE	This mask provides the ability to choose which PHY errors from the baseband cause EIFS delay. The error number is used as an offset into this mask. If the mask value at the offset is 1, then this error will not cause EIFS delay.

**8.17.51 PHY Error Counter 3 (WMAC\_PCU\_PHY\_ERR\_CNT\_3)**

Offset: 0x18108168

Access: Hardware = Read-Only  
Software = Read/Write

Reset Value: 0x0

Bit	Name	Description
31:24	RES	Reserved
23:0	PHY_ERROR_CNT3	Count of PHY errors that pass the PHY_ERR_CNT_3_MASK filter

**8.17.52 PHY Error Counter 3 Mask (WMAC\_PCU\_PHY\_ERR\_CNT\_3\_MASK)**

Offset: 0x1810816C

Access: Hardware = Read-Only  
Software = Read/Write

Reset Value: 0x0

Bit	Name	Description
31:0	PHY_ERROR_CNT_MASK3	Mask of the PHY error number allowed to be counted

**8.17.53 MAC PCU Generic Timers 2 (WMAC\_PCU\_GENERIC\_TIMERS2)**

Offset: 0x18108180

Access: Read/Write

Reset Value: Undefined

Bit	Name	Description
31:0	DATA	WMAC_PCU_GENERIC_TIMERS

**8.17.54 MAC PCU Generic Timers Mode 2 (WMAC\_PCU\_GENERIC\_TIMERS2\_MODE)**

Offset: 0x181081C0

Access: See field description

Reset Value: Undefined

Bit	Name	Access	Description
31:11	RES	RO	Reserved
10:8	OVERFLOW_INDEX	RO	Overflow index
7:0	ENABLE	RW	Enable

**8.17.55 SIFS, Tx Latency and ACK Shift (WMAC\_PCU\_TXSIFS)**

Offset: 0x181081D0

Access: Hardware = Read-Only

Software = Read/Write

Reset Value: 0x0

Bit	Name	Description
31:15	RES	Reserved
14:12	ACK_SHIFT	ACK_SHIFT is used to generate the ACK_TIME, which is used to generate the ACK_SIFS_TIME. The ACK_TIME table in the hardware assumes a channel width of 2.5 MHz. This value should be 3 for CCK rates.
		0    2.5 MHz
		1    5 MHz
11:8	TX_LATENCY	TX_LATENCY is the latency in $\mu$ s from TX_FRAME being asserted by the MAC to when the energy of the frame is on the air. This value is used to decrease the time to TBTT and time remaining in TXOP in the calculation to determine quiet collision.
7:0	SIFS_TIME	SIFS_TIME is the number of $\mu$ s in SIFS. For example, in 802.11a, SIFS_TIME would be set to 16. This value is used to determine quiet collision and filtering due to TBTT and TXOP limits.

**8.17.56 TXOP for Non-QoS Frames (WMAC\_PCU\_TXOP\_X)**

Offset: 0x181081EC

Access: Hardware = Read-Only

Software = Read/Write

Reset Value: 0x0

Bit	Name	Description
31:8	RES	Reserved
7:0	SIFS_TIME	TXOP in units of 32 $\mu$ s. A TXOP value exists for each QoS TID value. When a new burst starts, the TID is used to select one of the 16 TXOP values. This TXOP decrements until the end of the burst to make sure that the packets are not sent out by the time TXOP expires. This register is used for legacy non QoS frames.

**8.17.57 TXOP for TID 0 to 3 (WMAC\_PCU\_TXOP\_0\_3)**

Offset: 0x181081F0

Access: Hardware = Read-Only

Software = Read/Write

Reset Value: 0x0

Bit	Name	Description
31:24	VALUE_3	Value in units of 32 $\mu$ s
23:16	VALUE_2	Value in units of 32 $\mu$ s
15:8	VALUE_1	Value in units of 32 $\mu$ s
7:0	VALUE_0	Value in units of 32 $\mu$ s

**8.17.58 TXOP for TID 4 to 7 (WMAC\_PCU\_TXOP\_4\_7)**

Offset: 0x181081F4

Access: Hardware = Read-Only

Software = Read/Write

Reset Value: 0x0

Bit	Name	Description
31:24	VALUE_7	Value in units of 32 $\mu$ s
23:16	VALUE_6	Value in units of 32 $\mu$ s
15:8	VALUE_5	Value in units of 32 $\mu$ s
7:0	VALUE_4	Value in units of 32 $\mu$ s

**8.17.59 TXOP for TID 8 to 11 (WMAC\_PCU\_TXOP\_8\_11)**

Offset: 0x181081F8

Access: Hardware = Read-Only

Software = Read/Write

Reset Value: 0x0

Bit	Name	Description
31:24	VALUE_11	Value in units of 32 $\mu$ s
23:16	VALUE_10	Value in units of 32 $\mu$ s
15:8	VALUE_9	Value in units of 32 $\mu$ s
7:0	VALUE_8	Value in units of 32 $\mu$ s



### 8.17.60 TXOP for TID 0 to 3 (WMAC\_PCU\_TXOP\_12\_15)

Offset: 0x181081FC

Access: Hardware = Read-Only

Software = Read/Write

Reset Value: 0x0

Bit	Name	Description
31:24	VALUE_15	Value in units of 32 $\mu$ s
23:16	VALUE_14	Value in units of 32 $\mu$ s
15:8	VALUE_13	Value in units of 32 $\mu$ s
7:0	VALUE_12	Value in units of 32 $\mu$ s

### 8.17.61 Generic Timers (WMAC\_PCU\_GENERIC\_TIMERS[0:15])

Offset: 0x18108200

Access: Hardware = Read/Write

Software = Read/Write

Reset Value: 0x0

Address	Default	Description
0x8200– 0x821C	0x0	GENERIC_TIMER_NEXT
0x8220– 0x823C	0x0	GENERIC_TIMER_PERIOD

**NOTE:** GENERIC\_TIMER\_0, unlike other generic timers, does not wake the MAC before timer expiration and its overflow mechanism does not generate an interrupt. Instead, it silently adds this period repeatedly until the next timer advances past the TSF. Thus when MAC wakes after sleeping for multiple TBTTs, the TGBTT does not assert repeatedly or cause the beacon miss count to jump.

Generic Timer	Function
0	TBTT
1	DMA beacon alert
2	SW beacon alert
3	Reserved
4	NEXT_TIM
5	NEXT_DTIM
6	Quiet time trigger
7	No dedicated function

### 8.17.62 Generic Timers Mode (WMAC\_PCU\_GENERIC\_TIMERS\_MODE)

Offset: 0x18108240

Access: Hardware = Read/Write

Software = Read/Write

Reset Value: 0x00100000

Bit	Name	Description
31:11	THRESH	Number of $\mu$ s that generate a threshold interrupt if exceeded in TSF comparison
10:8	OVERFLOW_INDEX	Indicates the last generic timer that overflowed
7:0	ENABLE	Timer enable

**8.17.6332 KHz Sleep Mode (WMAC\_PCU\_SLP32\_MODE)**

Offset: 0x18108244

Access: Hardware = Read-Only

Software = Read/Write

Reset Value: See field description

Bit	Name	Reset	Description
31:23	RES	0x0	Reserved
22	DISABLE_32KHZ	0x0	Indicates the 32 KHz clock is not used to control the TSF, but the MAC clock increments the TSF. Only used on AP class devices that do not go to sleep.
21	TSF_WRITE_STATUS	0x1	The TSF write status
20	ENABLE	0x1	When set, indicates that the TSF should be allowed to increment on its own
19:0	HALF_CLK_LATENCY	0xF424	Time in $\mu$ s from the detection of the falling edge of the 32 KHz clk to the rising edge of the 32 KHz clk

**8.17.6432 KHz Sleep Wake (WMAC\_PCU\_SLP32\_WAKE)**

Offset: 0x18108248

Access: Hardware = Read-Only

Software = Read/Write

Reset Value: 0x800

Bit	Name	Description
31:16	RES	Reserved
15:0	XTL_TIME	Time in $\mu$ s before a generic timer should expire that the wake signal asserts to the crystal wake logic. Add an extra 31 $\mu$ s due to 32 KHz clock resolution.

**8.17.6532 KHz Sleep Increment (WMAC\_PCU\_SLP32\_INC)**

Offset: 0x1810824C

Access: Hardware = Read-Only

Software = Read/Write

Reset Value: 0x1E848

Bit	Name	Description
31:20	RES	Reserved
19:0	TSF_INC	Time in $1/2^{12}$ of a $\mu$ s the TSF increments on the rising edge of the 32 KHz clk (30.5176 $\mu$ s period). The upper 8 bits are at $\mu$ s resolution. The lower 12 bits are the fractional portion. $\frac{1 \text{ unit}}{1/212 \text{ ms}} = \frac{X}{30.5176 \text{ ms}}$ Where X = 125000, or 0x1E848 is the default setting for 32.768 MHz clock.

**8.17.66 Sleep MIB Sleep Count (WMAC\_PCU\_SLP\_MIB1)**

Offset: 0x18108250

Access: Hardware = Read/Write

Software = Read/Write

Reset Value: 0x0

Bit	Name	Description
31:0	SLEEP_CNT	Counts the number of 32 KHz clock cycles that the MAC has been asleep

**8.17.67 Sleep MIB Cycle Count (WMAC\_PCU\_SLP\_MIB2)**

Offset: 0x18108254

Access: Hardware = Read/Write

Software = Read/Write

Reset Value: 0x0

Bit	Name	Description
31:0	CYCLE_CNT	Counts the absolute number of 32KHz clock cycles. When CYCLE_CNT bit 31 is 1, the MIB interrupt will be asserted. SLEEP_CNT and CYCLE_CNT are saturating counters when the value of CYCLE_CNT reaches 0xFFFF_FFFF both counters will stop incrementing.

**8.17.68 Sleep MIB Control Status (WMAC\_PCU\_SLP\_MIB3)**

Offset: 0x18108258

Access: Hardware = Read/Write

Software = Read/Write

Reset Value: 0x0

Bit	Name	Description
31:2	RES	Reserved
1	PENDING	SLEEP_CNT, CYCLE_CNT, and CLR_CNT are writable for diagnostic purposes. Before every read/write, the pending bit should be polled to verify any pending write has cleared.
0	CLR_CNT	CLR_CNT clears both SLEEP_CNT and CYCLE_CNT. Pending is asserted while the clearing of these registers is pending.

**8.17.69 MAC PCU WoW 1 (WMAC\_PCU\_WOW1)**

Offset: 0x1810825C

Access: See field description

Reset Value: See field description

Bit	Name	Access	Reset	Description
31:28	CW_BITS	RW	0x4	Indicates the number of bits used in the contention window. If = N, the random backoff is selected between 0 and $(2^N) - 1$ . For example, if CS_BITS = 4, the random backoff is selected between 0 and 15. Values larger than 10 are assumed to be 10.
27:22	RES	RO	0x0	Reserved
21	BEACON_FAIL	RO	0x0	Beacon receive timeout
20	KEEP_ALIVE_FAIL	RO	0x0	Indicates excessive retry or other problems which cause the keep alive packet from transmitting successfully
19	INTR_DETECT	RO	0x0	Set when an interrupt was detected
18	INTR_ENABLE	RW	0x0	When set, indicates that MAC interrupts that are not masked cause WoW detection
17	MAGIC_DETECT	RO	0x0	Set when a magic packet has been detected
16	MAGIC_ENABLE	RW	0x0	When set, indicates the magic packet detection has been enabled
15:8	PATTERN_DETECT	RO	0x0	Indicate the which of the 8 patterns were matched a receive packet
7:0	PATTERN_ENABLE	RW	0x0	Indicate the which of the 8 patterns are enabled for compare

**8.17.70 PCU WoW 2 (WMAC\_PCU\_WOW2)**

Offset: 0x18108260

Access: Read/Write

Reset Value: See field description

Bit	Name	Reset	Description
31:24	RES	0X0	Reserved
23:16	TRY_CNT	0X00000008	Time in $\mu$ s for TRY_CNT
15:8	SLOT	0X00000009	Time in $\mu$ s for SLOT
7:0	AIFS	0X000000CC	Time in $\mu$ s for AIFS

**8.17.71 MAC PCU WoW Beacon Fail Enable (WMAC\_PCU\_WOW3\_BEACON\_FAIL)**

Offset: 0x18108270

Access: Read/Write

Reset Value: 0x0

Bit	Name	Description
31:1	RES	Reserved
0	ENABLE	Enable WoW if the AP fails to send a beacon

**8.17.72 MAC PCU WoW Beacon Fail Timeout (WMAC\_PCU\_WOW3\_BEACON)**

Offset: 0x18108274

Access: Read/Write

Reset Value: 0x40000000

Bit	Name	Description
31:0	TIMEOUT	WoW beacon fail timeout value (REFCLK cycles)

**8.17.73 MAC PCU WoW Keep Alive Timeout (WMAC\_PCU\_WOW3\_KEEP\_ALIVE)**

Offset: 0x18108278

Access: Read/Write

Reset Value: 0x3E4180

Bit	Name	Description
31:0	TIMEOUT	WoW keep alive timeout value (REFCLK cycles)

**8.17.74 MAC PCU WoW Automatic Keep Alive Disable (WMAC\_PCU\_WOW\_KA)**

Offset: 0x1810827C

Access: Read/Write

Reset Value: See field description

Bit	Name	Reset	Description
31:3	RES	0x0	Reserved
2	BKOFF_CS_ENABLE	0x00000001	Enable carrier sense during KEEPALIVEBACKOFF state
1	FAIL_DISABLE	0x00000000	Disable WoW If there is a failure in sending keep-alive frames
0	AUTO_DISABLE	0x00000000	Disable automatic transmission of keep-alive frames

**8.17.75 WoW Offset 1 (PCU\_WOW4)**

Offset: 0x18108294

Access: Read/Write

Reset Value: 0x0

Bit	Name	Description
31:24	OFFSET3	Offset for pattern 3
23:16	OFFSET2	Offset for pattern 2
15:8	OFFSET1	Offset for pattern 1
7:0	OFFSET0	Offset for pattern 0

**8.17.76WoW Offset 2 (PCU\_WOW5)**

Offset: 0x18108298

Access: Read/Write

Reset Value: 0x0

Bit	Name	Description
31:24	OFFSET7	Offset for pattern 7
23:16	OFFSET6	Offset for pattern 6
15:8	OFFSET5	Offset for pattern 5
7:0	OFFSET4	Offset for pattern 4

**8.17.77Global Mode (WMAc\_PCU\_20\_40\_MODE)**

Offset: 0x18108318

Access: Hardware = Read-Only

Software = Read/Write

Reset Value: 0x0

Bit	Name	Description
31:1	RES	Reserved
0	JOINED_RX_CLEAR	Setting this bit causes the RX_CLEAR used in the MAC to be the AND of the control channel RX_CLEAR and the extension channel RX_CLEAR. If this bit is clear then the MAC will use only the control channel RX_CLEAR.

**8.17.78Difference RX\_CLEAR Counter (WMAc\_PCU\_RX\_CLEAR\_DIFF\_CNT)**

Offset: 0x18108328

Access: Hardware = Read-Only

Software = Read/Write

Reset Value: 0x0

Bit	Name	Description
31:0	RX_CLEAR_DIFF_CNT	A cycle counter MIB register. On every cycle of the MAC clock, this counter increments every time the extension channel RX_CLEAR is low when the MAC is not actively transmitting or receiving. Due to a small lag between TX_FRAME and RX_CLEAR as well as between RX_CLEAR and RX_FRAME, the count may have some residual value even when no activity is on the extension channel.

**8.17.79 Control Registers for Block BA Control Fields (WMAC\_PCU\_BA\_BAR\_CONTROL)**

Offset: 0x18108330

Access: Hardware = Read-Only

Software = Read/Write

Reset Value: See field description

Bit	Name	Reset	Description
31:13	RES	0x0	Reserved
12	UPDATE_BA_BITMAP_QOS_NULL	0x0	When set, it enables the update of BA_BITMAP on a QoS Null frame
11	TX_BA_CLEAR_BA_VALID	0x0	When set, enables the BA_VALID bits to be cleared upon transmit of the block ACK for an aggregate frame or on receiving a BAR
10	FORCE_NO_MATCH	0x0	Causes the BA logic to never find a match of previous saved bitmap in the memory
9	ACK_POLICY_VALUE	0x1	The value of the ACK policy bit
8	COMPRESSED_VALUE	0x1	The value of the compressed bit
7:4	ACK_POLICY_OFFSET	0x0	Indicates the bit offset in the block ACK or block ACK request control field which defines the location of the ACK policy bit.
3:0	COMPRESSED_OFFSET	0x2	Indicates the bit offset in the block ACK or block ACK request control field which defines the location of the COMPRESSED bit.

**8.17.80 Legacy PLCP Spoof (WMAC\_PCU\_LEGACY\_PLCP\_SPOOF)**

Offset: 0x18108334

Access: Hardware = Read-Only

Software = Read/Write

Reset Value: See field description

Bit	Name	Reset	Description
31:9	RES	0x0	Reserved
12:8	MIN_LENGTH	0xE	Defines the minimum spoofed legacy PLCP length
7:0	EIFS_MINUS_DIFS	0x0	Defines the number of $\mu$ s to be subtracted from the transmit packet duration to provide fairness for legacy devices as well as HT devices.

**8.17.81 PHY Error Mask and EIFS Mask (WMAC\_PCU\_PHY\_ERROR\_MASK\_CONT)**

Offset: 0x18108338

Access: Hardware = Read-Only

Software = Read/Write

Reset Value: 0x0

Bit	Name	Description
31:19	RES	Reserved
23:16	EIFS_VALUE	Continuation of WMAC_PCU_PHY_ERROR_MASK_VALUE. Bits [2], [1], and [0] correspond to PHY errors 34, 33, and 32. All PHY errors above 39 cause EIFS delay.
15:8	RES	Reserved
7:0	MASK_VALUE	Continuation of WMAC_PCU_PHY_ERROR_MASK_VALUE. Bits [2], [1], and [0] correspond to PHY errors 34, 33, and 32. All PHY errors above 39 are filtered.

**8.17.82Tx Timer (WMAC\_PCU\_TX\_TIMER)**

Offset: 0x1810833C

Access: Hardware = Read/Write

Software = Read/Write

Reset Value: 0x0

Bit	Name	Description
31:16	RES	Reserved
15	TX_TIMER_ENABLE	Enabled when this bit is set to 1
14:0	TX_TIMER	Guarantees the transmit frame does not take more time than the values programmed in this timer. The unit for this timer is in $\mu$ s.

**8.17.83MAC PCU WoW 6 (WMAC\_PCU\_WOW6)**

Offset: 0x1810834C

Access: Read-Only

Reset Value: 0x0

Bit	Name	Description
31:16	RES	Reserved
15:0	RXBUF_START_ADDR	Indicates the start address of the frame in RxBUF that caused the WoW event

**8.17.84MAC PCU WoW 5 (WMAC\_PCU\_WOW5)**

Offset: 0x1810835C

Access: Read/Write

Reset Value: 0x0

Bit	Name	Description
31:16	RES	Reserved
15:0	RX_ABORT_ENABLE	Enables generation of RX_ABORT when a pattern is matched

**8.17.85Length of Pattern Match for Pattern 0 (WMAC\_PCU\_WOW\_LENGTH1)**

Offset: 0x18108360

Access: Read/Write

Reset Value: 0xFF

The antenna mask normally comes from the Tx descriptor. For self generated frames, this register provides the antenna mask to the baseband via the MAC/baseband interface.

Bit	Name	Description
31:24	PATTERN_0	Used for pattern matching length of the WoW feature
23:16	PATTERN_1	Used for pattern matching length of the WoW feature
15:8	PATTERN_2	Used for pattern matching length of the WoW feature
7:0	PATTERN_3	Used for pattern matching length of the WoW feature



**8.17.86 Length of Pattern Match for Pattern 1 (WMAC\_PCU\_WOW\_LENGTH2)**

Offset: 0x18108364  
 Access: Read/Write  
 Reset Value: 0xFF

The antenna mask normally comes from the Tx descriptor. For self generated frames, this register provides the antenna mask to the baseband via the MAC/baseband interface.

Bit	Name	Description
31:24	PATTERN_4	Used for pattern matching length of the WoW feature
23:16	PATTERN_5	Used for pattern matching length of the WoW feature
15:8	PATTERN_6	Used for pattern matching length of the WoW feature
7:0	PATTERN_7	Used for pattern matching length of the WoW feature

**8.17.87 Enable Control for Pattern Match Feature of WOW (WOW\_PATTERN\_MATCH\_LESS\_THAN\_256\_BYTES)**

Offset: 0x18108368  
 Access: Read/Write  
 Reset Value: 0x0

The antenna mask normally comes from the Tx descriptor. For self generated frames, this register provides the antenna mask to the baseband via the MAC/baseband interface.

Bit	Name	Description
31:16	RES	Reserved
15:0	EN	Used for turning on the feature of pattern matching length (<256 bytes) of the WOW feature

**8.17.88 PCU WoW 4 (WMAC\_PCU\_WOW4)**

Offset: 0x18108370  
 Access: Read/Write  
 Reset Value: 0x0

Bit	Name	Description
31:16	RES	Reserved
15:8	PATTERN_DETECT	Indicates the which of the 8 patterns were matched a receive packet
7:0	PATTERN_ENABLE	Indicates the which of the 8 patterns are enabled for compare

**8.17.89 Exact Length and Offset Requirement Flag for WoW Patterns (WOW2\_EXACT)**

Offset: 0x18108374  
 Access: Read/Write  
 Reset Value: See field description

Bit	Name	Reset	Description
31:16	RES	0x0	Reserved
15:8	OFFSET	0x0	Exact offset requirement flag for WoW patterns; 1 bit for each pattern
7:0	LENGTH	0xFF	Exact length requirement flag for WoW patterns; 1 bit for each pattern

**8.17.90WoW Offset 2 (PCU\_WOW6)**

Offset: 0x18108378

Access: Read/Write

Reset Value: 0x0

Bit	Name	Description
31:24	OFFSET11	Offset for pattern 11
23:16	OFFSET10	Offset for pattern 10
15:8	OFFSET9	Offset for pattern 9
7:0	OFFSET8	Offset for pattern 8

**8.17.91WoW Offset 3 (PCU\_WOW7)**

Offset: 0x1810837C

Access: Read/Write

Reset Value: 0x0

Bit	Name	Description
31:24	OFFSET15	Offset for pattern 15
23:16	OFFSET14	Offset for pattern 14
15:8	OFFSET13	Offset for pattern 13
7:0	OFFSET12	Offset for pattern 12

**8.17.92Length of Pattern Match for Pattern 0 (WMAC\_PCU\_WOW\_LENGTH3)**

Offset: 0x18108380

Access: Read/Write

Reset Value: 0xFF

The antenna mask normally comes from the Tx descriptor. For self generated frames, this register provides the antenna mask to the baseband via the MAC/baseband interface.

Bit	Name	Description
31:24	PATTERN_8	Used for pattern matching length of the WoW feature
23:16	PATTERN_9	Used for pattern matching length of the WoW feature
15:8	PATTERN_10	Used for pattern matching length of the WoW feature
7:0	PATTERN_11	Used for pattern matching length of the WoW feature

**8.17.93Length of Pattern Match for Pattern 0 (WMAC\_PCU\_WOW\_LENGTH4)**

Offset: 0x18108384

Access: Read/Write

Reset Value: 0x0

The antenna mask normally comes from the Tx descriptor. For self generated frames, this register provides the antenna mask to the baseband via the MAC/baseband interface.

Bit	Name	Description
31:24	PATTERN_12	Used for pattern matching length of the WoW feature
23:16	PATTERN_13	Used for pattern matching length of the WoW feature
15:8	PATTERN_14	Used for pattern matching length of the WoW feature
7:0	PATTERN_15	Used for pattern matching length of the WoW feature

**8.17.94 TID Value Access Category (WMAC\_PCU\_TID\_TO\_AC)**

Offset: 0x181083A4

Access: Read/Write

Reset Value: 0x0

Bit	Name	Description
31:0	DATA	Maps the 16 user priority TID values to corresponding access category (AC). Two bits denote the AC for each TID. Bits [1:0] define the AC for TID 0 and next two bits are used for AC of TID 1, and finally bits [31:30] define the AC for TID 15. Default values are as specified in the 11e specification: TID 1 and 2 are BK, TID 0 and 3 are BK, TID 4 and 5 are VI, and TID 6 and 7 are V0. ACs:
	00	BE
	01	BK
	10	VI
	11	VO

**8.17.95 High Priority Queue Control (WMAC\_PCU\_HP\_QUEUE)**

Offset: 0x181083A8

Access: Read/Write

Reset Value: See field description

Bit	Name	Reset	Description
31:21	RES	0x0	Reserved
20	UAPSD_EN	0xF	Enable UAPSD trigger
19:16	FRAME_SUBTYPE_MASK0	0x0	Frame subtype mask for FRAME_SUBTYPE0, to be matched for the frame to be placed in high priority receive queue
15:12	FRAME_SUBTYPE0	0x0	Frame sub type to be matched for the frame to be placed in high priority receive queue
11:10	FRAME_TYPE_MASK0	0x3	Frame type mask for FRAME_TYPE0, to be matched for the frame to be placed in high priority receive queue
9:8	FRAME_TYPE0	0x0	Frame type to be matched for the frame to be placed in high priority receive queue
7	FRAME_BSSID_MATCH0	0x0	If set to 1, frames with matching BSSID are only moved to high priority receive queue on a frame type match
6	FRAME_FILTER_ENABLE0	0x0	Enables the mode where a frame is moved to high priority receive queue based on frame type
5	HPQON_UAPSD	0x0	Set to 1 if UAPSD receive frame needs to be placed in high priority receive queue. If UAPSD is enable is set for AC of an error free QoS frame with Address1 match with AP address, the frame will be placed in high priority receive queue
4	AC_MASK_VO	0x0	Set to 1 if BK traffic needs to be placed in high priority Rx queue
3	AC_MASK_VI	0x0	Set to 1 if VI traffic needs to be placed in high priority Rx queue
2	AC_MASK_BK	0x0	Set to 1 if BK traffic needs to be placed in high priority Rx queue
1	AC_MASK_BE	0x0	Set to 1 if BE traffic needs to be placed in high priority Rx queue
0	ENABLE	0x0	Enables high priority Rx queue

**8.17.96 Hardware Beacon Processing 1 (WMAC\_PCU\_HW\_BCN\_PROC1)**

Offset: 0x181083C8

Access: Read/Write

Reset Value: 0x0

Bit	Name	Description
31:24	ELM2_ID	Element ID 2
23:16	ELM1_ID	Element ID 1
15:8	ELM0_ID	Element ID 0
7	EXCLUDE_ELM2	Exclude information with element ID ELM2 in CRC calculation
6	EXCLUDE_ELM1	Exclude information with element ID ELM1 in CRC calculation
5	EXCLUDE_ELM0	Exclude information with element ID ELM0 in CRC calculation
4	EXCLUDE_TIM_ELM	Exclude beacon TIM element in CRC calculation
3	EXCLUDE_CAP_INFO	Exclude beacon capability information in CRC calculation
2	EXCLUDE_BCN_INTVL	Exclude beacon interval in CRC calculation
1	RESET_CRC	Reset the last beacon CRC calculated
0	CRC_ENABLE	Hardware beacon processing

**8.17.97 Hardware Beacon Processing 2 (WMAC\_PCU\_HW\_BCN\_PROC2)**

Offset: 0x181083CC

Access: Read/Write

Reset Value: 0x0

Bit	Name	Description
31:24	RES	Reserved
23:16	ELM3_ID	Element ID 3
15:8	FILTER_INTERVAL	Filter interval for beacons
7:3	RES	Reserved
2	EXCLUDE_ELM3	Exclude information with element ID ELM3 in CRC calculation
1	INTERVAL	Reset internal interval counter
0	FILTER_INTERVAL_ENABLE	Enable filtering beacons based on filter interval

### 8.17.98 Key Cache (WMAc\_PCU\_KEY\_CACHE[0:1023])

Offset: 0x18108800

Access: Hardware = Read-Only

Software = Read/Write

Reset Value: 0x0

**Table 8-19. Offset to First Dword of Nth Key [1]**

Intra Key	Offset Bits	Description
$8*N + 00$	31:0	Key[31:0]
$8*N + 04$	15:0	Key[47:32]
$8*N + 08$	31:0	Key[79:48]
$8*N + 0C$	15:0	Key[95:79]
$8*N + 10$	31:0	Key[127:96]
$8*N + 14$	2:0	Key type:
		0   40b
		1   104b
		2   TKIP without MIC
		3   128b
		4   TKIP
		5   Reserved
		6   AES_CCM
		7   Do nothing
$8*N + 14$	14:3	Reserved
$8*N + 18$	31:0	Addr[32:1]
$8*N + 1C$	14:0	Addr[47:33]
	15	Key valid
	17:16	Key ID

[1]Key = (PCIE Address: 8800 + 20\*N)

When the key type is 4 (TKIP) and key is valid, this entry + 64 contains the Michael key.

**Table 8-20. Offset to First Dword of Nth Key (Continued)**

Intra Key	Offset Bits	Description
$8*N + 800$	31:0	Rx Michael key 0
$8*N + 804$	15:0	Tx Michael key 0 [31:16]
$8*N + 808$	31:0	Rx Michael key 1
$8*N + 80C$	15:0	Tx Michael key 0 [15:0]
$8*N + 810$	31:0	Tx Michael key 1
$8*N + 814$	RES	Reserved
$8*N + 818$	RES	Reserved
$8*N + 81C$	RES	Reserved
	15	Key Valid = 0

TKIP keys are not allowed to reside in the entries 64–127 because they require the Michael key. Entries 64–67 are always reserved for Michael.

Internally this memory is 50 bits wide, thus to write a line of the memory requires two 32-bit writes. All writes to registers with an offset of 0x0 or 0x8 actually write to a temporary holding register. A write to register with an offset of 0x4 or 0xC writes to the memory.

## 8.18 PCIe Configuration Space Registers

Table 8-21 shows the PCI Express configuration space registers for the AR9344.

Table 8-21. PCI Configuration Space Registers

Offset	Description	Page
0x180C0000	Vendor ID	page 286
0x180C0002	Device ID	page 286
0x180C0004	Command	page 287
0x180C0006	Status	page 287
0x180C0008	Revision ID	page 288
0x180C0009	Class Code	page 288
0x180C000C	Cache Line Size	page 288
0x180C000D	Master Latency Timer	page 288
0x180C000E	Header Type	page 288
0x180C0010	Base Address 0 (Read-Only)	page 289
0x180C0010	BAR0 Mask (Write-Only)	page 289
0x180C0018	Bus Number	page 290
0x180C001E	Secondary Status	page 290
0x180C0020	Memory Base	page 290
0x180C0022	Memory Limit	page 290
0x180C0024	Prefetchable Memory Base	page 291
0x180C0026	Prefetchable Memory Limit	page 291
0x180C0034	Capability Pointer	page 291
0x180C003C	Interrupt Line	page 291
0x180C003D	Interrupt Pin	page 292
0x180C003E	Bridge Control	page 292

### 8.18.1 Vendor ID

Address: 0x180C  
Access: Read-Only

The default value is the hardware configuration parameter.

Bit	Bit Name	Description
15:0	CX_VENDOR_ID_0	Vendor ID

### 8.18.2 Device ID

Address: 0x180C0002  
Access: Read-Only

The default value is the hardware configuration parameters.

Bit	Bit Name	Description
15:0	CX_DEVICE_ID_0	Device ID

### 8.18.3 Command

Address: 0x180C0004

Access: See field description

Reset: 0

Bit	Access	Description
15:11	RO	Reserved
10	R/W	INTx assertion disable
9	RO	Fast back-to-back enable Not applicable for PCIE. Hardwired to 0.
8	R/W	SERR# enable
7	RO	IDSEL stepping/wait cycle control Not applicable for PCIE. Hardwired to 0.
6	R/W	Parity error response
5	RO	VGA palette snoop Not applicable for PCIE. Hardwired to 0.
4	RO	Memory write and invalidate Not applicable for PCIE. Hardwired to 0.
3	RO	Special cycle enable Not applicable for PCIE. Hardwired to 0.
2	R/W	Bus master enable
1	R/W	Memory space enable
0	R/W	I/O space enable

### 8.18.4 Status

Address: 0x180C0006

Access: See field description

Reset: See field description

Bit	Access	Reset	Description
15	RW1C	0	Detected parity error
14	RW1C	0	Signalled system error
13	RW1C	0	Received master abort
12	RW1C	0	Received target abort
11	RW1C	0	Signalled target abort
10:9	RO	0x0	DEVSEL timing; not applicable for PCIE. Hardwired to 0.
8	RW1C	0	Master data parity error
7	RO	0	Fast back-to-back capable; not applicable for PCIE. Hardwired to 0.
6	RO	0	Reserved
5	RO	0	66 MHz capable; not applicable for PCIE. Hardwired to 0.
4	RO	1	Capabilities list Indicates presence of an extended capability item. Hardwired to 1.
3	RO	0	INTx status
2:0	RO	0x0	Reserved

### 8.18.5 Revision ID

Address: 0x180C0008

Access: Read-Only

Reset: 0x0

Bit	Bit Name	Description
7:0	CX_REVISION_ID_0	Revision ID

### 8.18.6 Class Code

Address: 0x180C0009

Access: Read-Only

Reset: 0x0

Bit	Bit Name	Description
23:16	BASE_CLASS_CODE_0	Base class code
15:8	SUB_CLASS_CODE_0	Sub class code
7:0	IF_CODE_0	Programming interface

### 8.18.7 Class Line Size

Address: 0x180C000C

Access: Read/Write

Reset: 0x0

Bit	Description
7:0	Cache line size This register is R/W for legacy compatibility purposes and is not applicable to PCI Express device functionality. Writing to the Cache Line Size register does not impact functionality of the RC.

### 8.18.8 Master Latency Timer

Address: 0x180C000D

Access: Read-Only

Reset: 0x0

Bit	Description
7:0	Master latency timer; not applicable to PCIE. Hardwired to 0.

### 8.18.9 Header Type

Address: 0x180C000E

Access: Read-Only

Reset: See field descriptions

Bit	Reset	Description
7	0x0	Multi-function device
6:0	0x01	Configuration header format. Hardwired to 0x01.



### 8.18.10 Base Address 0 (BAR0)

Address: 0x180C0010

Access: Read-Only

Reset: See field descriptions

The RC Core provides one 32-bit base address register.

Bit	Reset	Description
31:4	0x0000000	BAR0 base address bits. The BAR0 mask value determines which address bits are masked.
3	PREFETCHABLE0_0 for memory BAR	If BAR0 is a memory BAR, indicates if the memory region is prefetchable:
		0   Non-prefetchable
		1   Prefetchable
2:1	BAR0_TYPE_0 for memory BAR	If BAR 0 is a memory BAR, bits [2:1] determine the BAR type:
		00   32-bit BAR
		10   Unused
0	MEM0_SPACE_DECODER_0	0   BAR0 is a memory BAR
		1   Unused

### 8.18.11 BAR0 Mask

Address: 0x180C0010 (same as “Base Address 0 (BAR0)”)

Access: Write-Only

Reset: See field descriptions

Determines which bits in the BAR are non-writable by host software, which determines the size of the address space claimed by the BAR. This register only exists when the corresponding BAR<sub>n</sub>\_MASK\_WRITABLE\_0 value is 1. Otherwise, the BAR<sub>n</sub>\_MASK\_0 value sets the BAR Mask value in hardware.

BAR Mask values indicate the range of low-order bits in each implemented BAR to not use for address matching. The BAR Mask value also indicates the range of low-order bits in the BAR that cannot be written from the host. The

application can write to all BAR bits to set memory, I/O, and other BAR options. To disable a BAR, the application can write a 0 to bit [0] of the BAR Mask register. To change the BAR Mask value for a disabled BAR, the application must first enable the BAR by writing 1 to bit [0]. After enabling the BAR, the application can write a new value to the BAR Mask register. If the BAR Mask value for a BAR is less than that required for the BAR type, the RC Core uses the minimum BAR type value:

- BAR bits [11:0] are always masked for a memory BAR. The RC Core requires each memory BAR to claim at least 4 KB
- BAR bits [7:0] are always masked for an I/O BAR. The RC Core requires each I/O BAR to claim at least 256 bytes

Bit	Bit Name	Description
31:1	BAR0_MASK_0	Indicates which BAR0 bits to mask (make nonwritable) from host software, which in turn determines the size of the BAR. For example, writing 0xFFF to the BAR0 Mask register claims a 4096-byte BAR by masking bits 11:0 of the BAR from writing by host software.
		Application write access depends on the value of BAR0_MASK_WRITABLE_0: <ul style="list-style-type: none"> <li>■ If BAR0_MASK_WRITABLE_0 = 1, the BAR0 Mask register is writable</li> <li>■ If BAR0_MASK_WRITABLE_0 = 0, BAR0 Mask is not writable</li> </ul>
0	BAR0_ENABLED_0	BAR0 enable
		0   BAR0 is disabled
		1   BAR0 is enabled
		Bit [0] is interpreted as BAR enable when writing to the BAR Mask register rather than as a mask bit because bit [0] of a BAR is always masked from writing by host software.

**8.18.12 Bus Number**

Address: 0x180C0018

Access: See field descriptions

Reset: 0x00

Bit	Access	Description
31:24	RO	Secondary latency timer; not applicable to PCI Express, hardwired to 0x00.
23:16	R/W	Subordinate bus number
15:8	R/W	Secondary bus number
7:0	R/W	Primary bus number

**8.18.13 Secondary Status**

Address: 0x180C001E

Access: See field descriptions

Reset: 0

Bit	Access	Description
15	RW1C	Detected parity error
14	RW1C	Received system error
13	RW1C	Received master abort
12	RW1C	Received target abort
11	RW1C	Signalled timer abort
10:9	RO	DEVSEL timing; not applicable to PCIE. Hardwired to 0.
8	RW1C	Master data parity error
7	RO	Fast back-to-back capable; not applicable to PCIE. Hardwired to 0.
6	RO	Reserved
5	RO	66 MHz; not applicable to PCIE. Hardwired to 0.
4:0	RO	Reserved

**8.18.14 Memory Base**

Address: 0x180C0020

Access: See field descriptions

Reset: 0x00

Bit	Access	Description
15:4	R/W	Memory base address
3:0	RO	Reserved

**8.18.15 Memory Limit**

Address: 0x180C0022

Access: See field descriptions

Reset: 0x00

Bit	Access	Description
15:5	R/W	Memory limit address
4:0	RO	Reserved

**8.18.16 Prefetchable Memory Base**

Address: 0x180C0024

Access: See field descriptions

Reset: See field descriptions

Bit	Access	Default	Description
15:4	R/W	0x000	Upper 12 bits of 32-bit prefetchable memory start address
3:1	RO	0x0	Reserved
0	RO	MEM_DECODE_64_0	64-bit memory addressing
			0   32-bit memory addressing
			1   Unused

**8.18.17 Prefetchable Memory Limit**

Address: 0x180C0026

Access: See field descriptions

Reset: See field descriptions

Bit	Access	Default	Description
15:4	R/W	0x000	Upper 12 bits of 32-bit prefetchable memory end address
3:1	RO	0x0	Reserved
0	RO	MEM_DECODE_64_0	64-bit memory addressing
			0   32-bit memory addressing
			1   Unused

**8.18.18 Capability Pointer**

Address: 0x180C0034

Access: Read-Only

Reset: 0x40

Bit	Description
7:0	First capability pointer Points to power management capability structure by default.

**8.18.19 Interrupt Line**

Address: 0x180C003C

Access: Read/Write

Reset: 0xFF

Bit	Description
7:0	Interrupt line

**8.18.20 Interrupt Pin**

Address: 0x180C003D

Access: Read-Only

Reset: 0x1

Bit	Description
7:0	Interrupt pin. Identifies the legacy interrupt Message that the device uses. Valid values are:
00	The device does not use legacy interrupt
01	The device uses INTA

**8.18.21 Bridge Control**

Address: 0x180C003E

Access: See field descriptions

Reset: 0x0

Bit	Access	Description
15:12	RO	Reserved
11	RO	Discard timer SERR enable status; not applicable to PCIE. Hardwired to 0.
10	RO	Discard timer status; not applicable to PCIE. Hardwired to 0.
9	RO	Secondary discard timer; not applicable to PCIE. Hardwired to 0.
8	RO	Primary discard timer; not applicable to PCIE. Hardwired to 0.
7	RO	Fast back-to-back transactions enable; not applicable to PCIE. Hardwired to 0.
6	R/W	Secondary bus reset
5	RO	Master abort mode; not applicable to PCIE. Hardwired to 0.
4	R/W	VGA 16-bit decode
3	R/W	VGA enable
2	R/W	ISA enable
1	R/W	SERR enable
0	R/W	Parity error response enable

## 8.19 Checksum Registers

Table 8-22 summarizes the Checksum registers for the AR9344.

Table 8-22. Checksum Registers Summary

Address	Name	Description	Page
0x18400000	DMATX_CONTROL	Checksum Transmit Control	page 293
0x18400004	DMATX_CONTROL1	Checksum Transmit Control 1	page 294
0x18400008	DMATX_CONTROL2	Checksum Transmit Control 2	page 294
0x1840000C	DMATX_CONTROL3	Checksum Transmit Control 3	page 294
0x18400010	DMATX_DESC0	First Tx Descriptor Address	page 294
0x18400014	DMATX_DESC1	First Tx Descriptor Address 2	page 295
0x18400018	DMATX_DESC2	First Tx Descriptor Address 3	page 295
0x1840001C	DMATX_DESC3	First Tx Descriptor Address 4	page 295
0x18400020	DMATX_DESC_STATUS	DMA Tx Descriptor Status	page 295
0x18400024	DMATX_ARB_CFG	DMA Tx Arbitration Configuration	page 296
0x18400028	RR_PKTCNT01	Channel 0 and 1 Round Robin Packet Count	page 296
0x1840002C	RR_PKTCNT23	Channel 2 and 3 Round Robin Packet Count	page 296
0x18400030	TXST_PKTCNT	Tx Packet Count	page 296
0x18400034	DMARX_CONTROL	DMA Rx Transmit Control	page 297
0x18400038	DMARX_DESC	DMA Rx Descriptor	page 297
0x1840003C	DMARX_DESC_STATUS	DMA Rx Descriptor Status	page 297
0x18400040	INTR	Checksum Interrupt	page 297
0x18400044	IMASK	Checksum Interrupt Mask	page 298
0x18400048	ARB_BURST	Checksum Burst Control	page 298
0x18400050	RESET_DMA	DMA Reset	page 298
0x18400054	CONFIG	Checksum Configuration	page 298

### 8.19.1 Checksum Transmit Control (DMATX\_CONTROL)

Address: 0x18400000

Access: Read/Write

Reset: 0x0

This register is used to enable DMA transmit packet transfers.

Bit	Bit Name	Description
31:1	RES	Reserved. Must be written with zero. Contains zeros when read.
0	TXEN	Setting this bit enables DMA transmit packet transfers. This bit is cleared by the built-in DMA controller whenever it encounters a Tx Underrun or Bus Error state.

**8.19.2 Checksum Transmit Control1 (DMATX\_CONTROL1)**

Address: 0x18400004

Access: Read/Write

Reset: 0x0

This register is used to enable DMA transmit packet transfers.

Bit	Bit Name	Description
31:1	RES	Reserved. Must be written with zero. Contains zeros when read.
0	TXEN	Setting this bit enables DMA transmit packet transfers. This bit is cleared by the built-in DMA controller whenever it encounters a Tx Underrun or Bus Error state.

**8.19.3 Checksum Transmit Control2 (DMATX\_CONTROL2)**

Address: 0x18400008

Access: Read/Write

Reset: 0x0

This register is used to enable DMA transmit packet transfers.

Bit	Bit Name	Description
31:1	RES	Reserved. Must be written with zero. Contains zeros when read.
0	TXEN	Setting this bit enables DMA transmit packet transfers. This bit is cleared by the built-in DMA controller whenever it encounters a Tx Underrun or Bus Error state.

**8.19.4 Checksum Transmit Control3 (DMATX\_CONTROL3)**

Address: 0x1840000C

Access: Read/Write

Reset: 0x0

This register is used to enable DMA transmit packet transfers.

Bit	Bit Name	Description
31:1	RES	Reserved. Must be written with zero. Contains zeros when read.
0	TXEN	Setting this bit enables DMA transmit packet transfers. This bit is cleared by the built-in DMA controller whenever it encounters a Tx Underrun or Bus Error state.

**8.19.5 First Tx Descriptor0 Address (DMATX\_DESC0)**

Address: 0x18400010

Access: Read/Write

Reset: 0x0

This register contains the first Tx descriptor0 address.

Bit	Bit Name	Description
31:0	ADDR	The address of the first Tx descriptor in the chain

**8.19.6 First Tx Descriptor1 Address (DMATX\_DESC1)**

Address: 0x18400014

Access: Read/Write

Reset: 0x0

This register contains the first Tx descriptor1 address.

Bit	Bit Name	Description
31:0	ADDR	The address of the first Tx descriptor in the chain

**8.19.7 First Tx Descriptor2 Address (DMATX\_DESC2)**

Address: 0x18400018

Access: Read/Write

Reset: 0x0

This register contains the first Tx descriptor2 address.

Bit	Bit Name	Description
31:0	ADDR	The address of the first Tx descriptor in the chain

**8.19.8 First Tx Descriptor3 Address (DMATX\_DESC3)**

Address: 0x1840001C

Access: Read/Write

Reset: 0x0

This register contains the first Tx descriptor3 address.

Bit	Bit Name	Description
31:0	ADDR	The address of the first Tx descriptor in the chain

**8.19.9 DMA Tx Descriptor Status (DMATX\_DESC\_STATUS)**

Address: 0x18400020

Access: Read/Write

Reset: 0x0

This register configures the status of the DMA Tx Descriptor.

Bit	Bit Name	Description
31:26	RES	Reserved. Must be written with zero. Contains zeros when read.
25:24	CHAIN_NUM	Denotes an active chain
23:16	PKTCNT	Packet count for channel 0
15:9	RES	Reserved. Must be written with zero. Contains zeros when read.
8:5	DESC_INTR	When set, indicates that a Tx descriptor interrupt is pending for a corresponding chain (Ex. chain3, chain2 etc.)
4	BUSERROR	When set, indicates that a host slave split, retry or error response was received by the DMA controller
3	UNDERRUN	Set whenever the chain 3 DMA controller reads a set 1 Empty Flag in the descriptor is processing
2	UNDERRUN	Set whenever the chain 2 DMA controller reads a set 1 Empty Flag in the descriptor is processing
1	UNDERRUN	Set whenever the chain 1 DMA controller reads a set 1 Empty Flag in the descriptor is processing
0	UNDERRUN	Set whenever the chain 0 DMA controller reads a set 1 Empty Flag in the descriptor is processing

**8.19.10DMA Tx Arbitration Configuration (DMATX\_ARB\_CFG)**

Address: 0x18400024

This register configures the Tx arbitration.

Access: Read/Write

Reset: See field description

Bit	Bit Name	Reset	Description
31:26	WGT3	0x8	Weight for channel 3
25:20	WGT2	0x4	Weight for channel 2
19:14	WGT1	0x2	Weight for channel 1
13:8	WGT0	0x1	Weight for channel 0
7:1	RES	0x0	Reserved. Must be written with zero. Contains zeros when read.
0	RRMODE	0x1	Round robin mode

**8.19.11Channel 0 and 1 Round-robin Packet Count (RR\_PKT CNT01)**

Address: 0x18400028

This register contains the round-robin packet count for channels 0 and 1.

Access: Read/Write

Reset: 0x0

Bit	Bit Name	Reset	Description
31:25	RES	0x0	Reserved. Must be written with zero. Contains zeros when read.
24:16	PKTCNT1	0x0	Packet count for channel 1
15:9	RES	0x0	Reserved. Must be written with zero. Contains zeros when read.
8:0	PKTCNT0	0x0	Packet count for channel 0

**8.19.12Channel 2 and 3 Round-robin Packet Count (RR\_PKT CNT01)**

Address: 0x1840002C

This register contains the round-robin packet count for channels 2 and 3.

Access: Read/Write

Reset: 0x0

Bit	Bit Name	Description
31:25	RES	Reserved. Must be written with zero. Contains zeros when read.
24:16	PKTCNT3	Packet count for channel 3
15:9	RES	Reserved. Must be written with zero. Contains zeros when read.
8:0	PKTCNT2	Packet count for channel 2

**8.19.13Tx Packet Count (TXST\_PKT CNT)**

Address: 0x18400030

This register contains the Tx packet count for channels 3, 2, 1, and 0.

Access: Read/Write

Reset: 0x0

Bit	Bit Name	Description
31:24	PKTCNT3	Packet count for channel 3
23:16	PKTCNT2	Packet count for channel 2
15:8	PKTCNT1	Packet count for channel 1
7:0	RES	Reserved. Must be written with zero. Contains zeros when read.



**8.19.14 DMA Rx Transmit Control (DMARX\_CONTROL)**

Address: 0x18400034

Access: Read/Write

Reset: 0x0

This register enables DMA receive packets transfers.

Bit	Bit Name	Description
31:1	RES	Reserved. Must be written with zero. Contains zeros when read.
0	RXEN	Setting this bit enables DMA receive packets transfers. When set, the built-in DMA controller will start to receive a new packet whenever the FIFO indicates that a new packet is available (FRSOF asserted). This bit is cleared by the built-in DMA controller whenever it encounters an Rx overflow or bus error.

**8.19.15 DMA Rx Descriptor (DMARX\_DESC)**

Address: 0x18400038

Access: Read/Write

Reset: 0x0

This register is used to discover the packet descriptor location.

Bit	Bit Name	Description
31:0	ADDR	When RXENABLE is set by the host, the built-in DMA controller reads this register to discover the location in the host memory of the first receive packet descriptor

**8.19.16 DMA Rx Descriptor Status (DMARX\_DESC\_STATUS)**

Address: 0x1840003C

Access: Read/Write

Reset: 0x0

This register sets the status for various DMA Rx descriptor functions.

Bit	Bit Name	Description
31:24	RES	Reserved. Must be written with zero. Contains zeros when read.
23:16	PKTCNT	An 8-bit transmit packet counter that is incremented whenever the built-in DMA controller successfully transfers a packet, and decremented whenever the host writes a "1" to bit 0 (OVERFLOW) of this register.
15:3	RES	Reserved. Must be written with zero. Contains zeros when read.
2	DESC_INTR	When set, indicates that an Rx descriptor interrupt is pending
1	BUSERROR	When set, indicates that a host slave split, retry or error response was received by the DMA controller
0	OVERFLOW	Set whenever the DMA controller reads a set 1 Empty Flag in the descriptor it is processing

**8.19.17 Checksum Interrupt (INTR)**

Address: 0x18400040

Access: Read/Write

Reset: 0x0

This register is used to set the interrupts for Checksums.

Bit	Bit Name	Description
31:17	RES	Reserved. Must be written with zero. Contains zeros when read.
16:4	TX_VAL	Per chain TxPktIntr[3:0], TxPktCnt2, TxPktCnt1, TxUnderrun_ch2, TxUnderrun_ch1, BusError, TxUnderrun and TxPktCnt
3:0	RX_VAL	RxPktIntr, BusError, RxOverflow and RxPktCnt

**8.19.18 Checksum IMask (IMASK)**

Address: 0x18400044

Access: Read/Write

Reset: 0x0

This register is used to set the checksum masks.

Bit	Bit Name	Description
31:17	RES	Reserved. Must be written with zero. Contains zeros when read.
16:4	TX_VAL	Checksum mask per chain TxPktIntr[3:0], TxPktCnt2, TxPktCnt1, TxUnderrun_ch2, TxUnderrun_ch1, BusError, TxUnderrun and TxPktCnt
3:0	RX_VAL	Checksum mask for RxPktIntr, BusError, RxOverflow and RxPktCnt

**8.19.19 Checksum Burst Control (ARB\_BURST)**

Address: 0x18400048

Access: Read/Write

Reset: See field description

This register is used to set the maximum burst size for Rx and Tx.

Bit	Bit Name	Reset	Description
31:26	RES	0x0	Reserved. Must be written with zero. Contains zeros when read.
25:16	MAX_RX	0x42	Rx Maximum burst size
15:10	RES	0x0	Reserved. Must be written with zero. Contains zeros when read.
9:0	MAX_TX	0x42	Tx Maximum Burst Size

**8.19.20 DMA Reset (RESET\_DMA)**

Address: 0x18400050

Access: Read/Write

Reset: 0x0

This register is used to reset parts of the DMA engine.

Bit	Bit Name	Description
31:2	RES	Reserved. Must be written with zero. Contains zeros when read.
1	RX	Resets the Rx portion of the DMA engine
0	TX	Resets the Tx portion of the DMA engine

**8.19.21 Checksum Configuration (CONFIG)**

Address: 0x18400054

Access: Read/Write

Reset: See field description

This register configures the checksum settings.

Bit	Bit Name	Reset	Description
31:22	SPARE	0x16	Spare registers
21:16	TXFIFO_MIN_TH	0x16	Restarts the Tx DMA when the number of words are less than this value
15:10	RES	0x0	Reserved. Must be written with zero. Contains zeros when read.
9:4	TXFIFO_MAX_TH	0x19	Stops the Tx DMA and waits for the FIFO to be flushed when the number of words are greater than this value
3:1	RES	0x0	Reserved. Must be written with zero. Contains zeros when read.
0	CHKSUM_SWAP	0x0	Swap checksum computation

## 8.20 UART1 (High-Speed) Registers

Table 8-23 summarizes the UART1 registers for the AR9344.

Table 8-23. **UART1 (High-Speed) Registers Summary**

Address	Name	Description	Page
0x18500000	UART1_DATA	UART1 Transmit and Rx FIFO	<a href="#">page 299</a>
0x18500004	UART1_CS	UART1 Configuration and Status	<a href="#">page 300</a>
0x18500008	UART1_CLOCK	UART1 Clock	<a href="#">page 301</a>
0x1850000C	UART1_INT	UART1 Interrupt	<a href="#">page 301</a>
0x18500010	UART1_INT_EN	UART1 Interrupt Enable	<a href="#">page 302</a>

### 8.20.1 UART1 Transmit and Rx FIFO Interface (UART1\_DATA)

Address: 0x18500000

Access: Read/Write

Reset: 0x0

This register pushes data on the Tx FIFO and pop data off the Rx FIFO. This interface can be used only if all other interfaces are disabled in the “UART1 Configuration and Status (UART1\_CS)” on page 300.

Bit	Bit Name	Description
31:10	RES	Reserved. Must be written with zero. Contains zeros when read.
9	UART1_TX_CSR	Read returns the status of the Tx FIFO. If set, the Tx FIFO can accept more transmit data. Setting this bit will push UART1_TX_RX_DATA on the Tx FIFO. Clearing this bit has no effect.
8	UART1_RX_CSR	Read returns the status of the Rx FIFO. If set, the receive data in UART1_TX_RX_DATA is valid. Setting this bit will pop the Rx FIFO if there is valid data. Clearing this bit has no effect.
7:0	UART1_TX_RX_DATA	Read returns receive data from the Rx FIFO, but leaves the FIFO unchanged. The receive data is valid only if UART1_RX_CSR is also set. Write pushes the transmit data on the Tx FIFO if UART1_TX_CSR is also set.

### 8.20.2 UART1 Configuration and Status (UART1\_CS)

Address: 0x18500004

Access: Read/Write

Reset: 0x0

This register configures the UART1 operation and reports the operating status.

Bit	Bit Name	Type	Description						
31:16	RES	RO	Reserved. Must be written with zero. Contains zeros when read.						
15	UART1_RX_BUSY	RO	This bit is set whenever there is receive data or data is being received. It is clear when receive is completely idle.						
14	UART1_TX_BUSY	RO	This bit is set whenever there is data ready to transmit or being transmitted. It is clear when transmit is completely idle.						
13	UART1_HOST_INT_EN	RW	Enables an interrupt on the UART1 host						
12	UART1_HOST_INT	RO	This bit will be set while the host interrupt is being asserted and will clear when host interrupt is deasserted.						
11	UART1_TX_BREAK	RW	This bit blocks the Tx FIFO and causes a break to be continuously transmitted. The Tx FIFO will resume normal operation when this bit is clear.						
10	UART1_RX_BREAK	RO	This bit will be set while a break is being received. It will clear when the receive break stops.						
9	UART1_SERIAL_TX_READY	RO	This bit will be set while Serial Tx Ready is asserted and is cleared when Serial Tx Ready is deasserted.						
8	UART1_TX_READY_ORIDE	RW	This bit overrides the transmit ready flow control. If clear, transmit ready is controlled by UART1_FLOW_CONTROL_MODE. If set, then transmit ready will be true.						
7	UART1_RX_READY_ORIDE	RW	This bit overrides the receive ready flow control. If clear, receive ready is controlled by UART1_FLOW_CONTROL_MODE. If set, then receive ready will be true.						
6	RES	RO	Reserved						
5:4	UART1_FLOW_CONTROL_MODE	RW	Select which hardware flow control to enable <table border="1"> <tr> <td>00</td> <td>No flow control. Disable hardware flow control. Serial Transmit Ready and Serial Receive Ready are controlled by UART1_RX_READY_ORIDE and UART1_TX_READY_ORIDE.</td> </tr> <tr> <td>10</td> <td>Hardware flow control. Enable standard RTS/CTS flow control to control Serial Transmit Ready and Serial Receive Ready.</td> </tr> <tr> <td>11</td> <td>Inverted Flow Control. Enable inverted RTS/CTS flow control to control Serial Transmit Ready and Serial Receive Ready</td> </tr> </table>	00	No flow control. Disable hardware flow control. Serial Transmit Ready and Serial Receive Ready are controlled by UART1_RX_READY_ORIDE and UART1_TX_READY_ORIDE.	10	Hardware flow control. Enable standard RTS/CTS flow control to control Serial Transmit Ready and Serial Receive Ready.	11	Inverted Flow Control. Enable inverted RTS/CTS flow control to control Serial Transmit Ready and Serial Receive Ready
00	No flow control. Disable hardware flow control. Serial Transmit Ready and Serial Receive Ready are controlled by UART1_RX_READY_ORIDE and UART1_TX_READY_ORIDE.								
10	Hardware flow control. Enable standard RTS/CTS flow control to control Serial Transmit Ready and Serial Receive Ready.								
11	Inverted Flow Control. Enable inverted RTS/CTS flow control to control Serial Transmit Ready and Serial Receive Ready								
3:2	UART1_INTERFACE_MODE	RW	Select which serial port interface to enable <table border="1"> <tr> <td>00</td> <td>No interface. Disable serial port.</td> </tr> <tr> <td>01</td> <td>DTE interface. Configure serial port for DTE (Data Terminal Equipment) operation. Transmit on TD, receive on RD, flow control out on RTS, flow control in on CTS.</td> </tr> <tr> <td>10</td> <td>DCE interface. Configure serial port for DCE (Data Communication Equipment) operation. Transmit on RD, receive on TD, flow control out on CTS, flow control in on RTS.</td> </tr> </table>	00	No interface. Disable serial port.	01	DTE interface. Configure serial port for DTE (Data Terminal Equipment) operation. Transmit on TD, receive on RD, flow control out on RTS, flow control in on CTS.	10	DCE interface. Configure serial port for DCE (Data Communication Equipment) operation. Transmit on RD, receive on TD, flow control out on CTS, flow control in on RTS.
00	No interface. Disable serial port.								
01	DTE interface. Configure serial port for DTE (Data Terminal Equipment) operation. Transmit on TD, receive on RD, flow control out on RTS, flow control in on CTS.								
10	DCE interface. Configure serial port for DCE (Data Communication Equipment) operation. Transmit on RD, receive on TD, flow control out on CTS, flow control in on RTS.								
1:0	UART1_PARITY_MODE	RW	Select the parity mode for transmit and receive data <table border="1"> <tr> <td>00</td> <td>No parity. Parity is not transmitted or received</td> </tr> <tr> <td>10</td> <td>Odd parity. Odd parity is transmitted and checked on receive</td> </tr> <tr> <td>11</td> <td>Even parity. Even parity is transmitted and checked on receive</td> </tr> </table>	00	No parity. Parity is not transmitted or received	10	Odd parity. Odd parity is transmitted and checked on receive	11	Even parity. Even parity is transmitted and checked on receive
00	No parity. Parity is not transmitted or received								
10	Odd parity. Odd parity is transmitted and checked on receive								
11	Even parity. Even parity is transmitted and checked on receive								

### 8.20.3 UART1 Clock (UART1\_CLOCK)

Address: 0x18500008

Access: Read/Write

Reset: 0x0

This register sets the scaling factors use by the serial clock interpolator to create the transmit bit clock and receive sample clock.

Bit	Bit Name	Description
31:24	RES	Reserved. Must be written with zero. Contains zeros when read.
23:16	UART1_CLOCK_SCALE	The serial clock divisor used to create a scaled Serial Clock. This is used to bring the serial clock into a range that can be interpolated by UART1_CLOCK_STEP. The actual divisor is (1 + UART1_CLOCK_SCALE). Use the formula: $\text{UART1\_CLOCK\_SCALE} = \text{truncate}(\frac{1310 * \text{serialClockFreq}}{131072 * \text{baudClockFreq}})$
15:0	UART1_CLOCK_STEP	The ratio of the scaled serial clock to the baud clock, as expressed by a 17-bit fraction. This value should range between 1310–13107 to maintain a better than $\pm 5\%$ accuracy. Smaller is generally better, because interpolation errors caused by a small value are far less than quantization errors caused by a large value. Use the formula: $\text{UART1\_CLOCK\_STEP} = \text{round}(\frac{131072 * \text{baudClockFreq}}{\text{serialClockFreq} / (\text{UART1ClockScale} + 1)})$

### 8.20.4 UART1 Interrupt/Control Status (UART1\_INT)

Address: 0x1850000C

Access: Read/Write

Reset: 0x0

This register when read, returns the current interrupt status. Setting a bit will clear the individual attempt. Clearing a bit has no effect.

Bit	Bit Name	Description
31:10	RES	Reserved. Must be written with zero. Contains zeros when read.
9	UART1_TX_EMPTY_INT	This bit will be high while the Tx FIFO is almost empty. Setting this bit will clear this interrupt. Clearing this bit has no effect.
8	UART1_RX_FULL_INT	This bit will be high while the Rx FIFO is almost full, triggering hardware flow control, if enabled. Setting this bit will clear this interrupt. Clearing this bit has no effect.
7	UART1_RX_BREAK_OFF_INT	This bit will be high while a break is not received. Setting this bit will clear this interrupt. Clearing this bit has no effect.
6	UART1_RX_BREAK_ON_INT	This bit will be high while a break is received. Setting this bit will clear this interrupt. Clearing this bit has no effect.
5	UART1_RX_PARITY_ERR_INT	This bit will be high if receive parity checking is enabled and the receive parity does not match the value configured by UART1_PARITY_EVEN. Setting this bit will clear this interrupt. Clearing this bit has no effect.
4	UART1_TX_OFLOW_ERR_INT	This bit will be high if the Tx FIFO overflowed. Setting this bit will clear this interrupt. Clearing this bit has no effect.
3	UART1_RX_OFLOW_ERR_INT	This bit will be high if the Rx FIFO overflowed. Setting this bit will clear this interrupt. Clearing this bit has no effect.
2	UART1_RX_FRAMING_ERR_INT	This bit will be high if a receive framing error was detected. Setting this bit will clear this interrupt. Clearing this bit has no effect.
1	UART1_TX_READY_INT	This bit will be high while there is room for more data in the Tx FIFO. Setting this bit will clear this interrupt if there is room for more data in the Tx FIFO. Clearing this bit has no effect.
0	UART1_RX_VALID_INT	This bit will be high while there is data in the Rx FIFO. Setting this bit will clear this interrupt if there is no more data in the Rx FIFO. Clearing this bit has no effect.

**8.20.5 UART1 Interrupt Enable (UART1\_INT\_EN)**

Address: 0x18500010

Access: Read/Write

Reset: 0x0

This register enables interrupts in the UART1 Interrupt register.

Bit	Bit Name	Description
31:10	RES	Reserved. Must be written with zero. Contains zeros when read.
9	UART1_TX_EMPTY_INT_EN	Enables UART1_TX_EMPTY_INT in “UART1 Interrupt/Control Status (UART1_INT)” on page 301.
8	UART1_RX_FULL_INT_EN	Enables UART1_RX_FULL_INT in “UART1 Interrupt/Control Status (UART1_INT)” on page 301.
7	UART1_RX_BREAK_OFF_INT_EN	Enables UART1_RX_BREAK_OFF_INT in “UART1 Interrupt/Control Status (UART1_INT)” on page 301.
6	UART1_RX_BREAK_ON_INT_EN	Enables UART1_RX_BREAK_ON_INT in “UART1 Interrupt/Control Status (UART1_INT)” on page 301.
5	UART1_RX_PARITY_ERR_INT_EN	Enables UART1_PARITY_ERR_INT in “UART1 Interrupt/Control Status (UART1_INT)” on page 301.
4	UART1TX_OFLOW_ERR_INT_EN	Enables UART1_TX_OFLOW_ERR_INT in “UART1 Interrupt/Control Status (UART1_INT)” on page 301.
3	UART1_RX_OFLOW_ERR_INT_EN	Enables UART1_RX_OFLOW_ERR_INT in “UART1 Interrupt/Control Status (UART1_INT)” on page 301.
2	UART1_RX_FRAMING_ERR_INT_EN	Enables UART1_RX_FRAMING_ERR_INT in “UART1 Interrupt/Control Status (UART1_INT)” on page 301.
1	UART1_TX_READY_INT_EN	Enables UART1_TX_READY_INT in “UART1 Interrupt/Control Status (UART1_INT)” on page 301.
0	UART1_RX_VALID_INT_EN	Enables UART1_RX_VALID_INT in “UART1 Interrupt/Control Status (UART1_INT)” on page 301.

## 8.21 GMAC0/GMAC1 Registers

Table 8-24 summarizes the GMAC0/GMAC1 registers for the AR9344.

**Table 8-24. Ethernet Registers Summary**

GMAC0 Address	GMAC1 Address	Description		Page
0x19000000	0x1A000000	MAC Configuration 1		page 308
0x19000004	0x1A000004	MAC Configuration 2		page 309
0x19000008	0x1A000008	IPG/IFG		page 309
0x1900000C	0x1A00000C	Half-Duplex		page 310
0x19000010	0x1A000010	Maximum Frame Length		page 310
0x19000020	0x1A100020	MII Configuration		page 311
0x19000024	0x1A000024	MII Command		page 311
0x19000028	0x1A000028	MII Address		page 312
0x1900002C	0x1A00002C	MII Control		page 312
0x19000030	0x1A000030	MII Status		page 312
0x19000034	0x1A000034	MII Indicators		page 312
0x19000038	0x1A000038	Interface Control		page 313
0x1900003C	0x1A00003C	Interface Status		page 314
0x19000040	0x1A000040	STA Address 1		page 315
0x19000044	0x1A000044	STA Address 2		page 315
0x19000048	0x1A000048	ETH Configuration 0		page 316
0x1900004C	0x1A00004C	ETH Configuration 1		page 317
0x19000050	0x1A000050	ETH Configuration 2		page 317
0x19000054	0x1A000054	ETH Configuration 3		page 317
0x19000058	0x1A000058	ETH Configuration 4		page 318
0x1900005C	0x1A00005C	ETH Configuration 5		page 318
0x19000080	0x1A000080	TR64	Tx/Rx 64 Byte Frame Counter	page 319
0x19000084	0x1A000084	TR127	Tx/Rx 65-127 Byte Frame Counter	page 319
0x19000088	0x1A000088	TR255	Tx/Rx 128-255 Byte Frame Counter	page 319
0x1900008C	0x1A00008C	TR511	Tx/Rx 256-511 Byte Frame Counter	page 319
0x19000090	0x1A000090	TR1K	Tx/Rx 512-1023 Byte Frame Counter	page 320
0x19000094	0x1A000094	TRMAX	Tx/Rx 1024-1518 Byte Frame Counter	page 320
0x19000098	0x1A000098	TRMGV	Tx/Rx 1519-1522 Byte VLAN Frame Counter	page 320
0x1900009C	0x1A00009C	RBYT	Receive Byte Counter	page 320
0x190000A0	0x1A0000A0	RPKT	Receive Packet Counter	page 321
0x190000A4	0x1A0000A4	RFCS	Receive FCS Error Counter	page 321
0x190000A8	0x1A0000A8	RMCA	Receive Multicast Packet Counter	page 321
0x190000AC	0x1A0000AC	RBCA	Receive Broadcast Packet Counter	page 321

Table 8-24. Ethernet Registers Summary (continued)

GMAC0 Address	GMAC1 Address	Description		Page
0x190000B0	0x1A0000B0	RXCF	Receive Control Frame Packet Counter	page 322
0x190000B4	0x1A0000B4	RXPF	Receive Pause Frame Packet Counter	page 322
0x190000B8	0x1A0000B8	RXUO	Receive Unknown OPCode Packet Counter	page 322
0x190000BC	0x1A0000BC	RALN	Receive Alignment Error Counter	page 322
0x190000C0	0x1A0000C0	RFLR	Receive Frame Length Error Counter	page 323
0x190000C4	0x1A0000C4	RCDE	Receive Code Error Counter	page 323
0x190000C8	0x1A0000C8	RCSE	Receive Carrier Sense Error Counter	page 323
0x190000CC	0x1A0000CC	RUND	Receive Undersize Packet Counter	page 323
0x190000D0	0x1A0000D0	ROVR	Receive Oversize Packet Counter	page 324
0x190000D4	0x1A0000D4	RFRG	Receive Fragments Counter	page 324
0x190000D8	0x1A0000D8	RJBR	Receive Jabber Counter	page 324
0x190000DC	0x1A0000DC	RDRP	Receive Dropped Packet Counter	page 324
0x190000E0	0x1A0000E0	TBYT	Transmit Byte Counter	page 325
0x190000E4	0x1A0000E4	TPKT	Transmit Packet Counter	page 325
0x190000E8	0x1A0000E8	TMCA	Transmit Multicast Packet Counter	page 325
0x190000EC	0x1A0000EC	TBCA	Transmit Broadcast Packet Counter	page 325
0x190000F0	0x1A0000F0	TXPF	Transmit Pause Control Frame Counter	page 326
0x190000F4	0x1A0000F4	TDFR	Transmit Deferral Packet Counter	page 326
0x190000F8	0x1A0000F8	TEDF	Transmit Excessive Deferral Packet Counter	page 326
0x190000FC	0x1A0000FC	TSCL	Transmit Single Collision Packet Counter	page 326
0x19000100	0x1A000100	TMCL	Transmit Multiple Collision Packet Counter	page 327
0x19000104	0x1A000104	TLCL	Transmit Late Collision Packet Counter	page 327
0x19000108	0x1A000108	TXCL	Transmit Excessive Collision Packet Counter	page 327
0x1900010C	0x1A00010C	TNCL	Transmit Total Collision Counter	page 327
0x19000110	0x1A000110	TPFH	Transmit Pause Frames Honored Counter	page 328
0x19000114	0x1A000114	TDRP	Transmit Drop Frame Counter	page 328
0x19000118	0x1A000118	TJBR	Transmit Jabber Frame Counter	page 328
0x1900011C	0x1A00011C	TFCS	Transmit FCS Error Counter	page 328
0x19000120	0x1A000120	TXCF	Transmit Control Frame Counter	page 329
0x19000124	0x1A000124	TOVR	Transmit Oversize Frame Counter	page 329
0x19000128	0x1A000128	TUND	Transmit Undersize Frame Counter	page 329
0x1900012C	0x1A00012C	TFRG	Transmit Fragment Counter	page 329



Table 8-24. Ethernet Registers Summary (continued)

GMAC0 Address	GMAC1 Address	Description		Page
0x19000130	0x1A000130	CAR1	Carry Register 1	<a href="#">page 330</a>
0x19000134	0x1A000134	CAR2	Carry Register 2	<a href="#">page 331</a>
0x19000138	0x1A000138	CAM1	Carry Mask Register 1	<a href="#">page 332</a>
0x1900013C	0x1A00013C	CAM2	Carry Mask Register 2	<a href="#">page 333</a>
0x19000180	0x1A000180	DMATXCNTL_Q0	DMA Transfer Control for Queue 0	<a href="#">page 333</a>
0x19000184	0x1A000184	DMATXDESCR_Q0	Descriptor Address for Queue 0 Tx	<a href="#">page 334</a>
0x19000188	0x1A000188	DMA Tx Status		<a href="#">page 334</a>
0x1900018C	0x1A00018C	DMARXCTRL	Rx Control	<a href="#">page 334</a>
0x19000190	0x1A000190	DMARXDESCR	Pointer to Rx Descriptor	<a href="#">page 335</a>
0x19000194	0x1A000194	DMARXSTATUS	Rx Status	<a href="#">page 335</a>
0x19000198	0x1A000198	DMAINTRMASK	Interrupt Mask	<a href="#">page 336</a>
0x1900019C	0x1A00019C	Interrupts		<a href="#">page 337</a>
0x190001A0	0x1A0001A0	ETH_TX_BURST	Ethernet Tx burst	<a href="#">page 338</a>
0x190001A4	0x1A0001A4	ETH_TXFIFO_TH	Ethernet Tx FIFO Max and Min Threshold	<a href="#">page 338</a>
0x190001A8	0x1A0001A8	ETH_XFIFO_DEPTH	Current Tx and Rx FIFO Depth	<a href="#">page 338</a>
0x190001AC	0x1A0001AC	ETH_RXFIFO_TH	Ethernet Rx FIFO	<a href="#">page 338</a>
0x190001B8	0x1A0001B8	ETH_FREE_TIMER	Ethernet Free Timer	<a href="#">page 339</a>
0x190001C0	0x1A0001C0	DMATXCNTL_Q1	DMA Transfer Control for Queue 1	<a href="#">page 339</a>
0x190001C4	0x1A0001C4	DMATXDESCR_Q1	Descriptor Address for Queue 1 Tx	<a href="#">page 339</a>
0x190001C8	0x1A0001C8	DMATXCNTL_Q2	DMA Transfer Control for Queue 2	<a href="#">page 340</a>
0x190001CC	0x1A0001CC	DMATXDESCR_Q2	Descriptor Address for Queue 2 Tx	<a href="#">page 340</a>
0x190001D0	0x1A0001D0	DMATXCNTL_Q3	DMA Transfer Control for Queue 3	<a href="#">page 340</a>
0x190001D4	0x1A0001D4	DMATXDESCR_Q3	Descriptor Address for Queue 3 Tx	<a href="#">page 340</a>
0x190001D8	0x1A0001D8	DMATXARBCFG	DMA Tx Arbitration Configuration	<a href="#">page 340</a>
0x190001E4	0x1A0001E4	DMATXSTATUS_123	Tx Status and Packet Count for Queues 1 to 3	<a href="#">page 341</a>
0x19000200	—	LCL_MAC_ADDR_DW0	Local MAC Address Dword0	<a href="#">page 341</a>
0x19000204	—	LCL_MAC_ADDR_DW1	Local MAC Address Dword1	<a href="#">page 341</a>
0x19000208	—	NXT_HOP_DST_ADDR_DW0	Next Hop Router MAC Address Dword0	<a href="#">page 341</a>
0x1900020C	—	NXT_HOP_DST_ADDR_DW1	Next Hop Router MAC Destination Address Dword1	<a href="#">page 342</a>
0x19000210	—	GLOBAL_IP_ADDR0	Local Global IP Address 0	<a href="#">page 342</a>
0x19000214	—	GLOBAL_IP_ADDR1	Local Global IP Address 1	<a href="#">page 342</a>
0x19000218	—	GLOBAL_IP_ADDR2	Local Global IP Address 2	<a href="#">page 342</a>
0x1900021C	—	GLOBAL_IP_ADDR3	Local Global IP Address 3	<a href="#">page 342</a>
0x19000228	—	EG_NAT_CSR	Egress NAT Control and Status	<a href="#">page 343</a>
0x1900022C	—	EG_NAT_CNTR	Egress NAT Counter	<a href="#">page 343</a>

Table 8-24. Ethernet Registers Summary (continued)

GMACO Address	GMAC1 Address	Description		Page
0x19000230	—	IG_NAT_CSR	Ingress NAT Control and Status	page 344
0x19000234	—	IG_NAT_CNTR	Ingress NAT Counter	page 344
0x19000238	—	EG_ACL_CSR	Egress ACL Control and Status	page 345
0x1900023C	—	IG_ACL_CSR	Ingress ACL Control and Status	page 345
0x19000240	—	EG_ACL_CMD0_AND_ACTION	Egress ACL CMD0 and Action	page 345
0x19000244	—	EG_ACL_CMD1234	Egress ACL CMD1, CMD2, CMD3 and CMD4	page 346
0x19000248	—	EG_ACL_OPERAND0	Egress ACL OPERAND 0	page 346
0x1900024C	—	EG_ACL_OPERAND1	Egress ACL OPERAND 1	page 346
0x19000250	—	EG_ACL_MEM_CONTROL	Egress ACL Memory Control	page 347
0x19000254	—	IG_ACL_CMD0_AND_ACTION	Ingress ACL CMD0 and Action	page 348
0x19000258	—	IG_ACL_CMD1234	Ingress ACL CMD1, CMD2, CMD3 and CMD4	page 348
0x1900025C	—	IG_ACL_OPERAND0	Ingress ACL OPERAND 0	page 348
0x19000260	—	IG_ACL_OPERAND1	Ingress ACL OPERAND 1	page 349
0x19000264	—	IG_ACL_MEM_CONTROL	Ingress ACL Memory Control	page 349
0x19000268	—	IG_ACL_COUNTER_GRP0	Ingress ACL Counter Group 0	page 350
0x1900026C	—	IG_ACL_COUNTER_GRP1	Ingress ACL Counter Group 1	page 350
0x19000270	—	IG_ACL_COUNTER_GRP2	Ingress ACL Counter Group 2	page 350
0x19000274	—	IG_ACL_COUNTER_GRP3	Ingress ACL Counter Group 3	page 350
0x19000278	—	IG_ACL_COUNTER_GRP4	Ingress ACL Counter Group 4	page 351
0x1900027C	—	IG_ACL_COUNTER_GRP5	Ingress ACL Counter Group 5	page 351
0x19000280	—	IG_ACL_COUNTER_GRP6	Ingress ACL Counter Group 6	page 351
0x19000284	—	IG_ACL_COUNTER_GRP7	Ingress ACL Counter Group 7	page 351
0x19000288	—	IG_ACL_COUNTER_GRP8	Ingress ACL Counter Group 8	page 352
0x1900028C	—	IG_ACL_COUNTER_GRP9	Ingress ACL Counter Group 9	page 352
0x19000290	—	IG_ACL_COUNTER_GRP10	Ingress ACL Counter Group 10	page 352
0x19000294	—	IG_ACL_COUNTER_GRP11	Ingress ACL Counter Group 11	page 352
0x19000298	—	IG_ACL_COUNTER_GRP12	Ingress ACL Counter Group 12	page 353

Table 8-24. Ethernet Registers Summary (continued)

GMAC0 Address	GMAC1 Address	Description		Page
0x1900029C	—	IG_ACL_COUNTER_GRP13	Ingress ACL Counter Group 13	<a href="#">page 353</a>
0x190002A0	—	IG_ACL_COUNTER_GRP14	Ingress ACL Counter Group 14	<a href="#">page 353</a>
0x190002A4	—	IG_ACL_COUNTER_GRP15	Ingress ACL Counter Group 15	<a href="#">page 353</a>
0x190002A8	—	EG_ACL_COUNTER_GRP0	Egress ACL Counter Group 0	<a href="#">page 354</a>
0x190002AC	—	EG_ACL_COUNTER_GRP1	Egress ACL Counter Group 1	<a href="#">page 354</a>
0x190002B0	—	EG_ACL_COUNTER_GRP2	Egress ACL Counter Group 2	<a href="#">page 354</a>
0x190002B4	—	EG_ACL_COUNTER_GRP3	Egress ACL Counter Group 3	<a href="#">page 354</a>
0x190002B8	—	EG_ACL_COUNTER_GRP4	Egress ACL Counter Group 4	<a href="#">page 355</a>
0x190002BC	—	EG_ACL_COUNTER_GRP5	Egress ACL Counter Group 5	<a href="#">page 355</a>
0x190002C0	—	EG_ACL_COUNTER_GRP6	Egress ACL Counter Group 6	<a href="#">page 355</a>
0x190002C4	—	EG_ACL_COUNTER_GRP7	Egress ACL Counter Group 7	<a href="#">page 355</a>
0x190002C8	—	EG_ACL_COUNTER_GRP8	Egress ACL Counter Group 8	<a href="#">page 356</a>
0x190002CC	—	EG_ACL_COUNTER_GRP9	Egress ACL Counter Group 9	<a href="#">page 356</a>
0x190002D0	—	EG_ACL_COUNTER_GRP10	Egress ACL Counter Group 10	<a href="#">page 356</a>
0x190002D4	—	EG_ACL_COUNTER_GRP11	Egress ACL Counter Group 11	<a href="#">page 356</a>
0x190002D8	—	EG_ACL_COUNTER_GRP12	Egress ACL Counter Group 12	<a href="#">page 357</a>
0x190002DC	—	EG_ACL_COUNTER_GRP13	Egress ACL Counter Group 13	<a href="#">page 357</a>
0x190002E0	—	EG_ACL_COUNTER_GRP14	Egress ACL Counter Group 14	<a href="#">page 357</a>
0x190002E4	—	EG_ACL_COUNTER_GRP15	Egress ACL Counter Group 15	<a href="#">page 357</a>
0x190002E8	—	CLEAR_ACL_COUNTERS	Clear ACL Counters	<a href="#">page 358</a>

**8.21.1 MAC Configuration 1**

GMAC0 Address: 0x19000000

GMAC1 Address: 0x1A000000

Access: See field description

Reset: See field description

This register is used to set the actions for transmitting and receiving frames.

Bit	Bit Name	Type	Reset	Description
31	SOFT_RESET	RW	0x1	Setting this bit resets all modules except the host interface. The host interface is reset via HRST.
30	RES	RO	0x0	Reserved. Must be written with zero. Contains zeros when read.
29:20	RES	RO	0x0	Reserved. Must be written with zero. Contains zeros when read.
19	RESET_RX_MAC_CONTROL	RW	0x0	Resets the receive (Rx) MAC control block
18	RESET_TX_MAC_CONTROL	RW	0x0	Resets the transmit (Tx) MAC control
17	RESET_RX_FUNCTION	RW	0x0	Resets the Rx function
16	RESET_TX_FUNCTION	RW	0x0	Resets the Tx function
15:9	RES	RO	0x0	Reserved. Must be written with zero. Contains zeros when read.
8	LOOP_BACK	RW	0x0	Setting this bit causes MAC Rx outputs to loop back to the MAC Rx inputs. Clearing this bit results in normal operation.
7:6	RES	RO	0x0	Reserved. Must be written with zero. Contains zeros when read.
5	RX_FLOW_CONTROL	RW	0x0	Setting this bit causes the Rx MAC control to detect and act on pause flow control frames.
4	TX_FLOW_CONTROL	RW	0x0	Setting this bit causes the Tx MAC control to send requested flow control frames. Clearing this bit prevents the MAC from sending flow control frames. The default is 0.
3	SYNCHRONIZED_RX	RO	0x0	Rx enable synchronized to the receive stream
2	RX_ENABLE	RW	0x0	Setting this bit will allow the MAC to receive frames from the PHY. Clearing this bit will prevent the reception of frames.
1	SYNCHRONIZED_TX	RO	0x0	Tx enable synchronized to the Tx stream
0	TX_ENABLE	RW	0x0	Allows the MAC to transmit frames from the system. Clearing this bit will prevent the transmission of frames.

### 8.21.2 MAC Configuration 2

GMAC0 Address: 0x19000004

GMAC1 Address: 0x1A000004

Access: Read/Write

Reset: See field description

This register is used to set the parameters relating to the MAC, including duplex, CRC, and oversized frames.

Bit	Bit Name	Reset	Description		
31:16	RES	0x0	Reserved. Must be written with zero. Contains zeros when read.		
15:12	PREAMBLE_LENGTH	0x7	Determines the length of the preamble field of the packet, in bytes.		
11:10	RES	0x0	Reserved. Must be written with zero. Contains zeros when read.		
9:8	INTERFACE_MODE	0x0	Determines the type of interface to which the MAC is connected.		
			<b>Interface Mode</b>	<b>Bit [9]</b>	<b>Bit [8]</b>
			RESERVED	0	0
			Nibble Mode (10/100 Mbps MII/RMII/SMII...)	0	1
			RESERVED	1	0
7:6	RES	0x0	Reserved. Must be written with zero. Contains zeros when read.		
5	HUGE_FRAME	0x0	Set this bit to allow frames longer than the MAXIMUM FRAME LENGTH to be transmitted and received. Clear this bit to have the MAC limit the length of frames at the MAXIMUM FRAME LENGTH value, which is contained in the “Maximum Frame Length” register.		
4	LENGTH_FIELD	0x0	Set this bit to cause the MAC to check the frame’s length field to ensure it matches the data field length. Clear this bit for no length field checking.		
3	RES	0x0	Reserved. Must be written with zero. Contains zeros when read.		
2	PAD/CRC_ENABLE	0x0	Set this bit to have the MAC pad all short frames and append a CRC to every frame whether or not padding was required. Clear this bit if frames presented to the MAC have a valid length and contain a CRC.		
1	CRC_ENABLE	0x0	Set this bit to have the MAC append a CRC to all frames. Clear this bit if frames presented to the MAC have a valid length and contain a valid CRC.		
0	FULL_DUPLEX	0x0	Setting this bit configures the MAC to operate in full-duplex mode. Clearing this bit configures the MAC to operate in half-duplex mode only.		

### 8.21.3 IPG/IFG

GMAC0 Address: 0x19000008

GMAC1 Address: 0x1A000008

Access: Read/Write

Reset: See field description

This register is used to configure settings for the inter-packet gap and the inter-frame gap.

Bit	Bit Name	Reset	Description
31	RES	0x0	Reserved. Must be written with zero. Contains zeros when read.
30:24	NON_BACK_TO_BACK_INTER_PACKET_GAP1	0x40	Represents the carrier sense window. If a carrier is detected, MAC defers to the carrier. If the carrier becomes active, MAC continues timing and Tx, knowingly causing a collision to ensure fair access to the medium.
23	RES	0x0	Reserved. Must be written with zero. Contains zeros when read.
22:16	NON_BACK_TO_BACK_INTER_PACKET_GAP2	0x60	This programmable field represents the non-back-to-back inter-packet gap in bit times
15:8	MINIMUM_IFG_ENFORCEMENT	0x50	Represents the minimum IFG size to enforce between frames (expressed in bit times). Frames with a IFG of less than programmed are dropped.
7	RES	0x0	Reserved. Must be written with zero. Contains zeros when read.
6:0	BACK_TO_BACK_INTER_PACKET_GAP	0x60	Represents the IPG between back-to-back packets (expressed in bit times). This IPG parameter is used in full-duplex mode when two Tx packets are sent back-to-back. Set this field to the desired number of bits.

### 8.21.4 Half-Duplex

GMAC0 Address: 0x1900000C  
 GMAC1 Address: 0x1A00000C  
 Access: Read/Write  
 Reset: See field description

This register is used to configure the settings for half-duplex, including back pressure, excessive defer and collisions.

Bit	Bit Name	Reset	Description
31:24	RES	0x0	Reserved. Must be written with zero. Contains zeros when read.
23:20	ALTERNATE BINARY EXPONENTIAL BACKOFF TRUNCATION	0xA	Used when bit [19] is set. The value programmed is substituted for the Ethernet standard value of ten.
19	ALTERNATE BINARY EXPONENTIAL BACKOFF ENABLE	0x0	Setting this bit will configure the Tx MAC to use the setting of bits [23:20] instead of the tenth collision. Clearing this bit will cause the TX MAC to follow the standard binary exponential backoff rule, which specifies that any collision after the tenth uses 210-1 as the maximum backoff time.
18	BACKPRESSURE_N O_BACKOFF	0x0	Setting this bit will configure the Tx MAC to immediately retransmit following a collision during backpressure operation. Clearing this bit will cause the Tx MAC to follow the binary exponential backoff rule.
17	NO_BACKOFF	0x0	Setting this bit will configure the Tx MAC to immediately retransmit following a collision. Clearing this bit will cause the Tx MAC to follow the binary exponential backoff rule.
16	EXCESSIVE_ DEFER	0x1	Setting this bit will configure the Tx MAC to allow the transmission of a packet that has been excessively deferred. Clearing this bit will cause the Tx MAC to abort the transmission of a packet that has been excessively deferred.
15:12	RETRANSMISSION _MAXIMUM	0xF	This is a programmable field specifying the number of retransmission attempts following a collision before aborting the packet due to excessive collisions. The maximum number of attempts is defined by 802.11 standards as 0xF.
11:10	RES	0x0	Reserved. Must be written with zero. Contains zeros when read.
9:0	COLLISION_ WINDOW	0x37	This programmable field represents the slot time or collision window during which collisions might occur in a properly configured network. Since the collision window starts at the beginning of a transmission, the preamble and SFD are included. The reset value (0x37) corresponds to the count of frame bytes at the end of the window. If the value is larger than 0x3F the TPST single will no longer work correctly.

### 8.21.5 Maximum Frame Length

GMAC0 Address: 0x19000010  
 GMAC1 Address: 0x1A000010  
 Access: Read/Write  
 Reset: 0x600

This register is used to set the maximum allowable frame length.

Bit	Bit Name	Description
31:16	RES	Reserved. Must be written with zero. Contains zeros when read.
15:0	MAX_FRAME _LENGTH	This programmable field sets the maximum frame size in both the Tx and Rx directions

### 8.21.6 MII Configuration

GMAC0 Address: 0x19000020  
 GMAC1 Address: 0x1A000020  
 Access: Read/Write  
 Reset: 0x0

This register is used to set the MII management parameters.

Bit	Bit Name	Description																																																																																					
31	RESET_MII_MGMT	Setting this bit resets the MII Management. Clearing this bit allows MII Management to perform management read/write cycles as requested by the Host interface.																																																																																					
30:6	RES	Reserved. Must be written with zero. Contains zeros when read.																																																																																					
5	SCAN_AUTO_INCREMENT	Setting this bit causes MII Management to continually read from a set of contiguous PHYs. The starting address of the PHY is specified by the PHY address field recorded in the MII Address register. The next PHY to be read will be PHY address + 1. The last PHY to be queried in this read sequence will be the one residing at address 0x31, after which the read sequence will return to the PHY specified by the PHY address field.																																																																																					
4	PREAMBLE_SUPPRESSION	Setting this bit causes MII Management to suppress preamble generation and reduce the management cycle from 64 clocks to 32 clocks. Clearing this bit causes MII Management to perform Management read/write cycles with the 64 clocks of preamble.																																																																																					
3:0	MGMT_CLOCK_SELECT	This field determines the clock frequency of the management clock (MDC). <table border="1" data-bbox="560 877 1425 1488"> <thead> <tr> <th>Management Clock Select</th> <th>3</th> <th>2</th> <th>1</th> <th>0</th> </tr> </thead> <tbody> <tr> <td>Source clock divided by 4</td> <td>0</td> <td>0</td> <td>0</td> <td>0</td> </tr> <tr> <td>Source clock divided by 4</td> <td>0</td> <td>0</td> <td>0</td> <td>1</td> </tr> <tr> <td>Source clock divided by 6</td> <td>0</td> <td>0</td> <td>1</td> <td>0</td> </tr> <tr> <td>Source clock divided by 8</td> <td>0</td> <td>0</td> <td>1</td> <td>1</td> </tr> <tr> <td>Source clock divided by 10</td> <td>0</td> <td>1</td> <td>0</td> <td>0</td> </tr> <tr> <td>Source clock divided by 14</td> <td>0</td> <td>1</td> <td>0</td> <td>1</td> </tr> <tr> <td>Source clock divided by 20</td> <td>0</td> <td>1</td> <td>1</td> <td>0</td> </tr> <tr> <td>Source clock divided by 28</td> <td>0</td> <td>1</td> <td>1</td> <td>1</td> </tr> <tr> <td>Source clock divided by 34</td> <td>1</td> <td>0</td> <td>0</td> <td>0</td> </tr> <tr> <td>Source clock divided by 42</td> <td>1</td> <td>0</td> <td>0</td> <td>1</td> </tr> <tr> <td>Source clock divided by 50</td> <td>1</td> <td>0</td> <td>1</td> <td>0</td> </tr> <tr> <td>Source clock divided by 58</td> <td>1</td> <td>0</td> <td>1</td> <td>1</td> </tr> <tr> <td>Source clock divided by 66</td> <td>1</td> <td>1</td> <td>0</td> <td>0</td> </tr> <tr> <td>Source clock divided by 74</td> <td>1</td> <td>1</td> <td>0</td> <td>1</td> </tr> <tr> <td>Source clock divided by 82</td> <td>1</td> <td>1</td> <td>1</td> <td>0</td> </tr> <tr> <td>Source clock divided by 98</td> <td>1</td> <td>1</td> <td>1</td> <td>1</td> </tr> </tbody> </table>	Management Clock Select	3	2	1	0	Source clock divided by 4	0	0	0	0	Source clock divided by 4	0	0	0	1	Source clock divided by 6	0	0	1	0	Source clock divided by 8	0	0	1	1	Source clock divided by 10	0	1	0	0	Source clock divided by 14	0	1	0	1	Source clock divided by 20	0	1	1	0	Source clock divided by 28	0	1	1	1	Source clock divided by 34	1	0	0	0	Source clock divided by 42	1	0	0	1	Source clock divided by 50	1	0	1	0	Source clock divided by 58	1	0	1	1	Source clock divided by 66	1	1	0	0	Source clock divided by 74	1	1	0	1	Source clock divided by 82	1	1	1	0	Source clock divided by 98	1	1	1	1
Management Clock Select	3	2	1	0																																																																																			
Source clock divided by 4	0	0	0	0																																																																																			
Source clock divided by 4	0	0	0	1																																																																																			
Source clock divided by 6	0	0	1	0																																																																																			
Source clock divided by 8	0	0	1	1																																																																																			
Source clock divided by 10	0	1	0	0																																																																																			
Source clock divided by 14	0	1	0	1																																																																																			
Source clock divided by 20	0	1	1	0																																																																																			
Source clock divided by 28	0	1	1	1																																																																																			
Source clock divided by 34	1	0	0	0																																																																																			
Source clock divided by 42	1	0	0	1																																																																																			
Source clock divided by 50	1	0	1	0																																																																																			
Source clock divided by 58	1	0	1	1																																																																																			
Source clock divided by 66	1	1	0	0																																																																																			
Source clock divided by 74	1	1	0	1																																																																																			
Source clock divided by 82	1	1	1	0																																																																																			
Source clock divided by 98	1	1	1	1																																																																																			

### 8.21.7 MII Command

GMAC0 Address: 0x19000024  
 GMAC1 Address: 0x1A000024  
 Access: Read/Write  
 Reset: 0x0

This register is used to cause MII management to perform read cycles.

Bit	Bit Name	Description
31:2	RES	Reserved. Must be written with zero. Contains zeros when read.
1	SCAN_CYCLE	Causes MII management to perform read cycles continuously (e.g. to monitor link fail).
0	READ_CYCLE	Causes MII management to perform a single read cycle.

### 8.21.8 MII Address

GMAC0 Address: 0x19000028  
 GMAC1 Address: 0x1A000028  
 Access: Read/Write  
 Reset: 0x0

All MAC/PHY registers are accessed via the MII address and MII control registers of GMAC0 only. GMAC1 MII address and control registers are not used. The details of the Ethernet MAC/PHY that are accessible through the MAC 0 MII address.

Bit	Bit Name	Description
31:13	RES	Reserved. Must be written with zero. Contains zeros when read.
12:8	PHY_ADDRESS	Represents the five-bit PHY address field used in management cycles. Up to 31 PHYs can be addressed (0 is reserved).
7:5	RES	Reserved. Must be written with zero. Contains zeros when read.
4:0	REGISTER ADDRESS	Represents the five-bit register address field used in management cycles. Up to 32 registers can be accessed.

### 8.21.9 MII Control

GMAC0 Address: 0x1900002C  
 GMAC1 Address: 0x1A00002C  
 Access: Write-Only  
 Reset: 0x0

All MAC/PHY registers are accessed via the MII Address and MII Control registers.

This register is used to perform write cycles using the information in the MII Address register.

Bit	Bit Name	Description
31:16	RES	Reserved. Must be written with zero. Contains zeros when read.
15:0	MII_MGMT_CONTROL	When written, an MII management write cycle is performed using the 16-bit data and the pre-configured PHY and register addresses from <a href="#">““MII Address””</a> (0x0A).

### 8.21.10 MII Status

GMAC0 Address: 0x19000030  
 GMAC1 Address: 0x1A000030  
 Access: Read-Only  
 Reset: 0x0

This register is used to read information following an MII management read cycle.

Bit	Bit Name	Description
31:16	RES	Reserved. Must be written with zero. Contains zeros when read.
15:0	MII_MGMT_STATUS	After an MII management read cycle, 16-bit data can be read from this register.

### 8.21.11 MII Indicators

GMAC0 Address: 0x19000034  
 GMAC1 Address: 0x1A000034  
 Access: Read-Only  
 Reset: 0x0

This register is used indicate various functions of the MII management are currently being performed.

Bit	Bit Name	Description
31:3	RES	Reserved. Must be written with zero. Contains zeros when read.
2	NOT_VALID	When a 1 is returned, this bit indicates that the MII management read cycle has not yet completed and that the read data is not yet valid
1	SCANNING	When a 1 is returned, this bit indicates that a scan operation (continuous MII management read cycles) is in progress
0	BUSY	When a 1 is returned, this bit indicates that the MII management block is currently performing an MII management read or write cycle



### 8.21.12 Interface Control

MAC 0 Address: 0x19000038

MAC 1 Address: 0x1A000038

Access: Read/Write

Reset: 0x0

This register is used to configure and set the interface modules.

Bit	Bit Name	Description
31	RESET_INTERFACE_MODULE	Setting this bit resets the interface module. Clearing this bit allows for normal operation. This bit can be used in place of bits [23], [15] and [7] when any interface module is connected.
30:28	RES	Reserved. Must be written with zero. Contains zeros when read.
27	TBIMODE	Setting this bit configures the A-RGMII module to expect TBI signals at the GMII interface. This bit should not be asserted unless this mode is being used.
26	GHDMODE	Setting this bit configures the A-RGMII to expect half-duplex at the GMII interface. It also enables the use of CRS and COL signals.
25	LHDMODE	Setting this bit configures the A-RGMII module to expect 10 or 100 Mbps half-duplex MII at the GMII interface and will enable the use of CRS and COL signals. This bit should not be asserted unless this mode is being used.
24	PHY_MODE	Setting this bit configures the serial MII module to be in PHY Mode. Link characteristics are taken directly from the RX segments supplied by the PHY.
23	RESET_PERMII	Setting this bit resets the PERMII module. Clearing this bit allows for normal operation.
22:17	RES	Reserved. Must be written with zero. Contains zeros when read.
16	SPEED	This bit configures the reduced MII module with the current operating speed.
		0   Selects 10 Mbps mode
		1   Selects 100 Mbps mode
15	RESET_PE100X	This bit resets the PE100X module, which contains the 4B/5B symbol encipher/decipher code.
14:11	RES	Reserved. Must be written with zero. Contains zeros when read.
10	FORCE_QUIET	Affects PE100X module only.
		0   Normal operation
		1   Tx data is quiet, allowing the contents of the cipher to be output
9	NO_CIPHER	Affects PE100X module only.
		0   Normal ciphering occurs
		1   The raw transmit 5B symbols are transmitting without ciphering
8	DISABLE_LINK_FAIL	Affects PE100X module only.
		0   Normal Operation
		1   Disables the 330-ms link fail timer, allowing shorter simulations. Removes the 330-ms link-up time before stream reception is allowed.
7	RESET GPSI	This bit resets the PE10T module which converts MII nibble streams to the serial bit stream of ENDEC PHYs. Affects PE10T module only.
6:1	RES	Reserved. Must be written with zero. Contains zeros when read.
0	ENABLE_JABBER_PROTECTION	This bit enables the Jabber Protection logic within the PE10T in ENDEC mode. Jabber is the condition where a transmitter is on for longer than 50 ms preventing other stations from transmitting. Affects PE10T module only.

## 8.21.13 Interface Status

GMAC0 Address: 0x1900003C  
 GMAC1 Address: 0x1A00003C  
 Access: Read-Only  
 Reset: 0x0

Identifies the interface statuses. The range of bits that are active are dependant upon the optional interfaces connected at the time.

Bit	Bit Name	Description
31:10	RES	Reserved. Must be written with zero. Contains zeros when read.
9	EXCESS_DEFER	This bit sets when the MAC excessively defers a transmission. It clears when read. This bit latches high.
8	CLASH	Used to identify the serial MII module mode
		0   In PHY mode or in a properly configured MAC to MAC mode
		1   MAC to MAC mode with the partner in 10 Mbps and/or half-duplex mode indicative of a configuration error
7	JABBER	Used to identify a jabber condition as detected by the serial MII PHY
		0   No jabber condition detected
		1   Jabber condition detected
6	LINK_OK	Used to identify the validity of a serial MII PHY link
		0   No valid link detected
		1   Valid link detected
5	FULL_DUPLEX	Used to identify the current duplex of the serial MII PHY
		0   Half-duplex
		1   Full-duplex
4	SPEED	Used to identify the current running speed of the serial MII PHY
		0   10 Mbps
		1   100 Mbps
3	LINK_FAIL	Used to read the PHY link fail register. For asynchronous host accesses, this bit must be read at least once every scan read cycle of the PHY.
		0   The MII management module has read the PHY link fail register to be 0
		1   The MII management module has read the PHY link fail register to be 1
2	CARRIER_LOSS	Carrier status. This bit latches high.
		0   No carrier loss detection
		1   Loss of carrier detection
1	SQE_ERROR	0   Has not detected an SQE error. Latches high.
		1   Has detected an SQE error.
0	JABBER	0   Has not detected a Jabber condition. Latches high.
		1   Has detected a Jabber condition

**8.21.14 STA Address 1**

GMAC0 Address: 0x19000040

GMAC1 Address: 0x1A000040

Access: Read/Write

Reset: 0x0

This register holds the first four octets of the station address.

Bit	Bit Name	Description
31:24	STATION_ ADDRESS_1	This field holds the first octet of the station address
23:16	STATION_ ADDRESS_2	This field holds the second octet of the station address
15:8	STATION_ ADDRESS_3	This field holds the third octet of the station address
7:0	STATION_ ADDRESS_4	This field holds the fourth octet of the station address

**8.21.15 STA Address 2**

GMAC0 Address: 0x19000044

GMAC1 Address: 0x1A000044

Access: Read/Write

Reset: 0x0

This register holds the last two octets of the station address.

Bit	Bit Name	Description
31:24	STATION_ ADDRESS_5	This field holds the fifth octet of the station address
23:16	STATION_ ADDRESS_6	This field holds the sixth octet of the station address
15:0	RES	Reserved

**8.21.16 ETH\_FIFO RAM Configuration 0**

GMAC0 Address: 0x19000048

GMAC1 Address: 0x1A000048

Access: See field description

Reset: 0x0

This register is used to assert and negate functions concerning the ETH module.

Bit	Bit Name	Access	Description	
31:21	RES	RO	Reserved. Must be written with zero. Contains zeros when read.	
20	FTFENRPLY	RO	Asserted	The eth_fab module is enabled
			Negated	The eth_fab module is disabled
19	STFENRPLY	RO	Asserted	The eth_sys module is enabled
			Negated	The eth_sys module is disabled
18	FRFENRPLY	RO	Asserted	The eth_fab module is enabled
			Negated	The eth_fab module is disabled
17	SRFENRPLY	RO	Asserted	The eth_sys module is enabled
			Negated	The eth_sys module is disabled
16	WTMENRPLY	RO	Asserted	The eth_wtm module is enabled
			Negated	The eth_wtm module is disabled
15:13	RES	RO	Reserved. Must be written with zero. Contains zeros when read.	
12	FTFENREQ	RW	Asserted	Requests enabling of the eth_fab module
			Negated	Requests disabling of the eth_fab module
11	STFENREQ	RW	Asserted	Requests enabling of the eth_sys module
			Negated	Requests disabling of the eth_sys module
10	FRFENREQ	RW	Asserted	Requests enabling of the eth_fab module
			Negated	Requests disabling of the eth_fab module
9	SRFENREQ	RW	Asserted	Requests enabling of the eth_sys module
			Negated	Requests disabling of the eth_sys module
8	WTMENREQ	RW	Asserted	Requests enabling of the eth_wtm module
			Negated	Requests disabling of the eth_wtm module
7:5	RES	RW	Reserved. Must be written with zero. Contains zeros when read.	
4	HSTRSTFT	RW	When asserted, this bit places the eth_fab module in reset	
3	HSTRSTST	RW	When asserted, this bit places the eth_sys module in reset	
2	HSTRSTFR	RW	When asserted, this bit places the eth_fab module in reset	
1	HSTRSTSR	RW	When asserted, this bit places the eth_sys module in reset	
0	HSTRSTWT	RW	When asserted, this bit places the eth_wtm module in reset	

### 8.21.17 ETH Configuration 1

GMAC0 Address: 0x1900004C  
 GMAC1 Address: 0x1A00004C  
 Access: Read/Write  
 Reset: 0xFFFF

This register is used to configure the ETH storage area.

Bit	Bit Name	Description
31:28	RES	Reserved. Must be written with zero. Contains zeros when read.
27:16	CFGFRTH [11:0]	This hex value represents the minimum number of 4-byte locations to store simultaneously in the receive RAM, relative to the beginning of the frame being input, before FRRDY may be asserted. Note that FRRDY will be latent a certain amount of time due to fabric transmit clock to system transmit clock time domain crossing, and conditional on FRACPT assertion. When set to the maximum value, FRRD may be asserted only after the completion of the input frame. The value of this register must be greater than 18D when HSTDRPLT64 is asserted.
15:0	CFGXOFFRTX	This hexadecimal value represents the number of pause quanta (64-bit times) after an XOFF pause frame has been acknowledged until the ETH reasserts TCRQ if the ETH receive storage level has remained higher than the low watermark.

### 8.21.18 ETH Configuration 2

MAC 0 Address: 0x19000050  
 MAC 1 Address: 0x1A000050  
 Access: Read/Write  
 Reset: See field description

This register is used to number the minimum amount of 8-byte words in the Rx RAM before pause frames are transmitted.

Bit	Bit Name	Reset	Description
31:29	RES	0x0	Reserved. Must be written with zero. Contains zeros when read.
28:16	CFGHWM [12:0]	0xAAA	This hex value represents the maximum number of 8-byte words to store simultaneously in the Rx RAM before TCRQ and PSVAL facilitates an XOFF pause control frame.
15:13	RES	0x0	Reserved. Must be written with zero. Contains zeros when read.
12:0	CFGLWM [12:0]	0x555	This hex value represents the minimum number of 8-byte words to store simultaneously in Rx RAM before TCRQ and PSVAL facilitate an XON pause control frame in response to a transmitted XOFF pause control frame.

### 8.21.19 ETH Configuration 3

GMAC0 Address: 0x19000054  
 GMAC1 Address: 0x1A000054  
 Access: Read/Write  
 Reset: See field description

This register is used denote the minimum number of 4-byte locations to simultaneously store in the Tx RAM before assertion.

Bit	Bit Name	Reset	Description
31:28	RES	0x0	Reserved. Must be written with zero. Contains zeros when read.
27:16	CFGHWMFT [11:0]	0x555	This hex value represents the maximum number of 4-byte locations to store simultaneously in Tx RAM before FTHWM is asserted. Note that FTHWM has two FTCLK clock periods of latency before assertion or negation, as should be considered when calculating required headroom for maximum size packets.
15:12	RES	0x0	Reserved. Must be written with zero. Contains zeros when read.
11:0	CFGFTTH [11:0]	0xFFF	This hex value represents the minimum number of 4-byte locations to store simultaneously in the Tx RAM, relative to the beginning of the frame being input, before TPSF is asserted. Note that TPSF is latent for a certain amount of time due to fabric Tx clock system Tx clock time domain crossing. When set to the maximum value, TPSF asserts only after the completion of the input frame.

**8.21.20 ETH Configuration 4**

GMAC0 Address: 0x19000058  
 GMAC1 Address: 0x1A000058  
 Access: Read/Write  
 Reset: 0x0

This register is used to signal drop frame conditions internal to the Ethernet.

Bit	Bit Name	Description
31:18	RES	Reserved. Must be written with zero. Contains zeros when read.
17	Unicast MAC address match	In combination with “ETH Configuration 5”, bits [17:0] of this register control which frames are dropped and which are sent to the DMA engine. If the bit is set in “ETH Configuration 5” and it does not match the value in this bit, then the frame is dropped.
16	Truncated frame	
15	VLAN tag	
14	Unsupported op-code	
13	Pause frame	
12	Control frame	
11	Long event	
10	Dribble nibble	
9	Broadcast	
8	Multicast	
7	OK	
6	Out of range	
5	Length mismatch	
4	CRC error	
3	Code error	
2	False carrier	
1	RX_DV event	
0	Drop event	

**8.21.21 ETH Configuration 5**

GMAC0 Address: 0x1900005C  
 GMAC1 Address: 0x1A00005C  
 Access: Read/Write  
 Reset: See field description

This register is used to assert or negate bits of the ETH component.

Bit	Bit Name	Reset	Description
31:20	RES	0x0	Reserved. Must be written with zero. Contains zeros when read.
19	Byte/Nibble	0x0	This bit should be set to 1 for GMAC0 or set to 0 for GMAC1.
18	Short Frame	0x0	If set to 1, all frames under 64 bytes are dropped.
17:0	Rx Filter[17:0]	0x3FFFF	If set in this vector, the corresponding field must match exactly in “ETH Configuration 4” for the packet to pass on to the DMA engine.

**8.21.22 Tx/Rx 64 Byte Frame Counter (TR64)**

GMAC0 Address: 0x19000080  
 GMAC1 Address: 0x1A000080  
 Access: Read/Write  
 Reset: 0x0

This register is used to count frames transmitted or received that were up to 64 bytes in length.

Bit	Bit Name	Description
31:18	RES	Reserved. Must be written with zero. Contains zeros when read.
17:0	TR64	The transmit and receive 64 byte frame counter. This bit is incremented for each good or bad frame transmitted and received which is 64 bytes in length inclusive (excluding framing bits but including FCS bytes).

**8.21.23 Tx/Rx 65-127 Byte Frame Counter (TR127)**

GMAC0 Address: 0x19000084  
 GMAC1 Address: 0x1A000084  
 Access: Read/Write  
 Reset: 0x0

This register is used to count frames transmitted or received that were between 65–127 bytes in length.

Bit	Bit Name	Description
31:18	RES	Reserved. Must be written with zero. Contains zeros when read.
17:0	TR127	The transmit and receive 65–127 byte frame counter. This bit is incremented for each good or bad frame transmitted and received which between 65-127 bytes in length inclusive (excluding framing bits but including FCS bytes).

**8.21.24 Tx/Rx 128-255 Byte Frame Counter (TR255)**

GMAC0 Address: 0x19000088  
 GMAC1 Address: 0x1A000088  
 Access: Read/Write  
 Reset: 0x0

This register is used to count frames transmitted or received that were between 128–255 bytes in length.

Bit	Bit Name	Description
31:18	RES	Reserved. Must be written with zero. Contains zeros when read.
17:0	TR255	The transmit and receive 128-255 byte frame counter. This bit is incremented for each good or bad frame transmitted and received which between 128-255 bytes in length inclusive (excluding framing bits but including FCS bytes).

**8.21.25 Tx/Rx 256-511 Byte Frame Counter (TR511)**

GMAC0 Address: 0x1900008C  
 GMAC1 Address: 0x1A00008C  
 Access: Read/Write  
 Reset: 0x0

This register is used to count frames transmitted or received that were between 256–511 bytes in length.

Bit	Bit Name	Description
31:18	RES	Reserved. Must be written with zero. Contains zeros when read.
17:0	TR511	The transmit and receive 256–511 byte frame counter. This bit is incremented for each good or bad frame transmitted and received which between 256–511 bytes in length inclusive (excluding framing bits but including FCS bytes).

**8.21.26 Tx/Rx 512-1023 Byte Frame Counter (TR1K)**

GMAC0 Address: 0x19000090  
 GMAC1 Address: 0x1A000090  
 Access: Read/Write  
 Reset: 0x0

This register is used to count frames transmitted or received that were between 512–1023 bytes in length.

Bit	Bit Name	Description
31:18	RES	Reserved. Must be written with zero. Contains zeros when read.
17:0	TR1K	The transmit and receive 512–1023 byte frame counter. This bit is incremented for each good or bad frame transmitted and received which between 512–1023 bytes in length inclusive (excluding framing bits but including FCS bytes).

**8.21.27 Tx/Rx 1024-1518 Byte Frame Counter (TRMAX)**

GMAC0 Address: 0x19000094  
 GMAC1 Address: 0x1A000094  
 Access: Read/Write  
 Reset: 0x0

This register is used to count frames transmitted or received that were between 1024–1518 bytes in length.

Bit	Bit Name	Description
31:18	RES	Reserved. Must be written with zero. Contains zeros when read.
17:0	TRMAX	The transmit and receive 1024-1518 byte frame counter. This bit is incremented for each good or bad frame transmitted and received which between 1024-1518 bytes in length inclusive (excluding framing bits but including FCS bytes).

**8.21.28 Tx/Rx 1519-1522 Byte VLAN Frame Counter (TRMGV)**

GMAC0 Address: 0x19000098  
 GMAC1 Address: 0x1A000098  
 Access: Read/Write  
 Reset: 0x0

This register is used to count frames transmitted or received that were between 1519–1522 bytes in length.

Bit	Bit Name	Description
31:18	RES	Reserved. Must be written with zero. Contains zeros when read.
17:0	TRMGV	The transmit and receive 1519–1522 byte frame counter. This bit is incremented for each good or bad frame transmitted and received which between 1519–1522 bytes in length inclusive (excluding framing bits but including FCS bytes).

**8.21.29 Receive Byte Counter (RXBT)**

GMAC0 Address: 0x1900009C  
 GMAC1 Address: 0x1A00009C  
 Access: Read/Write  
 Reset: 0x0

This register is used to count incoming frames and then increment this register accordingly.

Bit	Bit Name	Description
31:24	RES	Reserved. Must be written with zero. Contains zeros when read.
23:0	RBYT	The receive byte counter. This statistic count register is incremented by the byte count of all frames received, including bad packets but excluding framing bits but including FCS bytes.



### 8.21.30 Receive Packet Counter (RPKT)

GMAC0 Address: 0x190000A0  
 GMAC1 Address: 0x1A0000A0

Access: Read/Write  
 Reset: 0x0

This register is used to count packets received.

Bit	Bit Name	Description
31:18	RES	Reserved. Must be written with zero. Contains zeros when read.
17:0	RPKT	The receive packet counter. This register is incremented for each received packet (including bad packets, all Unicast, broadcast and Multicast packets).

### 8.21.31 Receive FCS Error Counter (RFCS)

GMAC0 Address: 0x190000A4  
 GMAC1 Address: 0x1A0000A4  
 Access: Read/Write  
 Reset: 0x0

This register is used to count frames received between 64–1518 in length and has a FCS error.

Bit	Bit Name	Description
31:12	RES	Reserved. Must be written with zero. Contains zeros when read.
11:0	RFCS	The received FCS error counter. This register is incremented for each frame received that has an integral 64–1518 length and contains a frame check sequence error.

### 8.21.32 Receive Multicast Packet Counter (RMCA)

GMAC0 Address: 0x190000A8  
 GMAC1 Address: 0x1A0000A8  
 Access: Read/Write  
 Reset: 0x0

This register is used to count received good standard multicast packets.

Bit	Bit Name	Description
31:18	RES	Reserved. Must be written with zero. Contains zeros when read.
17:0	RMCA	The receive multicast packet counter. This register is incremented for each multicast good frame of lengths smaller than 1518 (non-VLAN) or 1522 (VLAN) excluding broadcast frames. This does not include range/length errors.

### 8.21.33 Receive Broadcast Packet Counter (RBCA)

GMAC0 Address: 0x190000AC  
 GMAC1 Address: 0x1A0000AC  
 Access: Read/Write  
 Reset: 0x0

This register is used to count received good broadcast frames.

Bit	Bit Name	Description
31:22	RES	Reserved. Must be written with zero. Contains zeros when read.
21:0	RBCA	The receive broadcast packet counter. This register is incremented for each broadcast good frame of lengths smaller than 1518 (non-VLAN) or 1522 (VLAN) excluding multicast frames. This does not include range or length errors.

**8.21.34 Receive Control Frame Packet Counter (RXCF)**

GMAC0 Address: 0x190000B0  
 GMAC1 Address: 0x1A0000B0  
 Access: Read/Write  
 Reset: 0x0

This register is used to count received MAC control frames.

Bit	Bit Name	Description
31:18	RES	Reserved. Must be written with zero. Contains zeros when read.
17:0	RXCF	The receive control frame packet counter. This register is incremented for each MAC control frame received (pause and unsupported).

**8.21.35 Receive Pause Frame Packet Counter (RXPF)**

GMAC0 Address: 0x190000B4  
 GMAC1 Address: 0x1A0000B4  
 Access: Read/Write  
 Reset: 0x0

This register is used to count received pause frame packets.

Bit	Bit Name	Description
31:12	RES	Reserved. Must be written with zero. Contains zeros when read.
11:0	RXPF	The receive pause frame packet counter. This register is incremented each time a valid pause MAC control frame is received.

**8.21.36 Receive Unknown OPCode Packet Counter (RXUO)**

GMAC0 Address: 0x190000B8  
 GMAC1 Address: 0x1A0000B8  
 Access: Read/Write  
 Reset: 0x0

This register is used to count received MAC control frames that contain an opcode.

Bit	Bit Name	Description
31:12	RES	Reserved. Must be written with zero. Contains zeros when read.
11:0	RXUO	The receive unknown OPcode counter. This bit is incremented each time a MAC control frame is received which contains an opcode other than a pause.

**8.21.37 Receive Alignment Error Counter (RALN)**

GMAC0 Address: 0x190000BC  
 GMAC1 Address: 0x1A0000BC  
 Access: Read/Write  
 Reset: 0x0

This register is used to count received packets with an alignment error.

Bit	Bit Name	Description
31:12	RES	Reserved. Must be written with zero. Contains zeros when read.
11:0	RALN	The receive alignment error counter. This register is incremented for each received frame from 64–1518 bytes that contains an invalid FCS and is not an integral number of bytes.

**8.21.38 Receive Frame Length Error Counter (RFLR)**

GMAC0 Address: 0x190000C0  
 GMAC1 Address: 0x1A0000C0  
 Access: Read/Write  
 Reset: 0x0

This register is used to count received frames that have a length error.

Bit	Bit Name	Description
31:16	RES	Reserved. Must be written with zero. Contains zeros when read.
15:0	RFLR	The received frame length error counter. this register is incremented for each received frame in which the 802.3 length field did not match the number of data bytes actually received (46–1500 bytes). The counter is not incremented if the length field is not a valid 802.3 length, such as an EtherType value.

**8.21.39 Receive Code Error Counter (RCDE)**

GMAC0 Address: 0x190000C4  
 GMAC1 Address: 0x1A0000C4  
 Access: Read/Write  
 Reset: 0x0

This register is used to count the number of received frames that had a code error counter.

Bit	Bit Name	Description
31:12	RES	Reserved. Must be written with zero. Contains zeros when read.
11:0	RCDE	The receive code error counter. This register is incremented each time a valid carrier was present and at least one invalid data symbol was detected.

**8.21.40 Receive Carrier Sense Error Counter (RCSE)**

GMAC0 Address: 0x190000C8  
 GMAC1 Address: 0x1A0000C8  
 Access: Read/Write  
 Reset: 0x0

This register is used to count the number of frames received that had a false carrier.

Bit	Bit Name	Description
31:12	RES	Reserved. Must be written with zero. Contains zeros when read.
11:0	RCSE	The receive false carrier counter. This register is incremented each time a false carrier is detected during idle, as defined by a 1 on RX_ER and an 0xE on RXD. This event is reported along with the statistics generated on the next received frame. Only one false carrier condition can be detected and logged between frames.

**8.21.41 Receive Undersize Packet Counter (RUND)**

GMAC0 Address: 0x190000CC  
 GMAC1 Address: 0x1A0000CC  
 Access: Read/Write  
 Reset: 0x0

This register is used to count the number of received packets that were undersized.

Bit	Bit Name	Description
31:12	RES	Reserved. Must be written with zero. Contains zeros when read.
11:0	RUND	The receive undersize packet counter. This register is incremented each time a frame is received which is less than 64 bytes in length and contains a valid FCS and were otherwise well formed. This does not include Range Length errors

**8.21.42 Receive Oversize Packet Counter (ROVR)**

GMAC0 Address: 0x190000D0  
 GMAC1 Address: 0x1A0000D0  
 Access: Read/Write  
 Reset: 0x0

This register is used to count received packets that were oversized.

Bit	Bit Name	Description
31:12	RES	Reserved. Must be written with zero. Contains zeros when read.
11:0	ROVR	The receive oversize packet counter. This register is incremented each time a frame is received which exceeded 1518 (non-VLAN) or 1522 (VLAN) and contains a valid FCS and were otherwise well formed. This does not include Range Length errors.

**8.21.43 Receive Fragments Counter (RFRG)**

GMAC0 Address: 0x190000D4  
 GMAC1 Address: 0x1A0000D4  
 Access: Read/Write  
 Reset: 0x0

This register is used to count received fragmented frames.

Bit	Bit Name	Description
31:12	RES	Reserved. Must be written with zero. Contains zeros when read.
11:0	RFRG	The receive fragments counter. This register is incremented for each frame received which is less than 64 bytes in length and contains an invalid FCS. This includes integral and non-integral lengths.

**8.21.44 Receive Jabber Counter (RJBR)**

GMAC0 Address: 0x190000D8  
 GMAC1 Address: 0x1A0000D8  
 Access: Read/Write  
 Reset: 0x0

This register is used to count received jabber frames.

Bit	Bit Name	Description
31:12	RES	Reserved. Must be written with zero. Contains zeros when read.
11:0	RJBR	The received jabber counter. This register is incremented for frames which exceed 1518 (non-VLAN) or 1522 (VLAN) bytes and contains an invalid FCS, including alignment errors.

**8.21.45 Receive Dropped Packet Counter (RDRP)**

GMAC0 Address: 0x190000DC  
 GMAC1 Address: 0x1A0000DC  
 Access: Read/Write  
 Reset: 0x0

This register is used to count received dropped packets.

Bit	Bit Name	Description
31:12	RES	Reserved. Must be written with zero. Contains zeros when read.
11:0	RDRP	The received dropped packets counter. This register is incremented for frames received which are streamed to the system but are later dropped due to a lack of system resources.

**8.21.46 Transmit Byte Counter (TXBT)**

GMAC0 Address: 0x190000E0

This register is used to count transmitted bytes.

GMAC1 Address: 0x1A0000E0

Access: Read/Write

Reset: 0x0

Bit	Bit Name	Description
31:24	RES	Reserved. Must be written with zero. Contains zeros when read.
23:0	TXBT	The transmit byte counter. This register is incremented by the number of bytes that were put on the wire including fragments of frames that were involved with collisions. This count does not include preamble/SFD or jam bytes.

**8.21.47 Transmit Packet Counter (TPKT)**

GMAC0 Address: 0x190000E4

This register is used to count transmitted packets.

GMAC1 Address: 0x1A0000E4

Access: Read/Write

Reset: 0x0

Bit	Bit Name	Description
31:18	RES	Reserved. Must be written with zero. Contains zeros when read.
17:0	TPKT	The transmit packet counter. This register is incremented for each transmitted packet (including bad packets, excessive deferred packets, excessive collision packets, late collision packets, all Unicast, Broadcast and Multicast packets).

**8.21.48 Transmit Multicast Packet Counter (TMCA)**

GMAC0 Address: 0x190000E8

This register is used to count transmitted multicast packets.

GMAC1 Address: 0x1A0000E8

Access: Read/Write

Reset: 0x0

Bit	Bit Name	Description
31:18	RES	Reserved. Must be written with zero. Contains zeros when read.
17:0	TMCA	Transmit multicast packet counter. Incremented for each multicast valid frame transmitted (excluding broadcast frames).

**8.21.49 Transmit Broadcast Packet Counter (TBCA)**

GMAC0 Address: 0x190000EC

This register is used to count transmitted broadcast packets.

GMAC1 Address: 0x1A0000EC

Access: Read/Write

Reset: 0x0

Bit	Bit Name	Description
31:18	RES	Reserved. Must be written with zero. Contains zeros when read.
17:0	TBCA	Transmit broadcast packet counter. Incremented for each broadcast frame transmitted (excluding multicast frames).

**8.21.50 Transmit Pause Control Frame Counter (TXPF)**

GMAC0 Address: 0x190000F0

This register is used to count transmitted pause control frames.

GMAC1 Address: 0x1A0000F0

Access: Read/Write

Reset: 0x0

Bit	Bit Name	Description
31:12	RES	Reserved. Must be written with zero. Contains zeros when read.
11:0	TXPF	Transmit pause frame packet counter. Incremented each time a valid pause MAC control frame is transmitted.

**8.21.51 Transmit Deferral Packet Counter (TDFR)**

GMAC0 Address: 0x190000F4

This register is used to count transmitted deferral packets.

GMAC1 Address: 0x1A0000F4

Access: Read/Write

Reset: 0x0

Bit	Bit Name	Description
31:12	RES	Reserved. Must be written with zero. Contains zeros when read.
11:0	TDFR	Transmit deferral packet counter. Incremented for each frame that was deferred on its first transmission attempt. Does not include frames involved in collisions.

**8.21.52 Transmit Excessive Deferral Packet Counter (TEDF)**

GMAC0 Address: 0x190000F8

This register is used to count excessive transmitted deferral packets.

GMAC1 Address: 0x1A0000F8

Access: Read/Write

Reset: 0x0

Bit	Bit Name	Description
31:12	RES	Reserved. Must be written with zero. Contains zeros when read.
11:0	TEDF	Transmit excessive deferral packet counter. Incremented for frames aborted that were deferred for an excessive period of time (3036 byte times).

**8.21.53 Transmit Single Collision Packet Counter (TSCL)**

GMAC0 Address: 0x190000FC

This register is used to count transmitted single collision packets.

GMAC1 Address: 0x1A0000FC

Access: Read/Write

Reset: 0x0

Bit	Bit Name	Description
31:12	RES	Reserved. Must be written with zero. Contains zeros when read.
11:0	TSCL	Transmit single collision packet counter. Incremented for each frame transmitted that experienced exactly one collision during transmission.

**8.21.54 Transmit Multiple Collision Packet (TMCL)**

GMAC0 Address: 0x19000100  
 GMAC1 Address: 0x1A000100  
 Access: Read/Write  
 Reset: 0x0

This register is used to count transmitted multiple collision packets.

Bit	Bit Name	Description
31:12	RES	Reserved. Must be written with zero. Contains zeros when read.
11:0	TMCL	Transmit multiple collision packet counter. Incremented for each frame transmitted that experienced 2–15 collisions (including any late collisions) during transmission as defined using the RETRY[3:0] field of the Tx function control register.

**8.21.55 Transmit Late Collision Packet Counter (TLCL)**

GMAC0 Address: 0x19000104  
 GMAC1 Address: 0x1A000104  
 Access: Read/Write  
 Reset: 0x0

This register is used to count transmitted late collision packets.

Bit	Bit Name	Description
31:12	RES	Reserved. Must be written with zero. Contains zeros when read.
11:0	TLCL	Transmit late collision packet counter. Incremented for each frame transmitted that experienced a late collision during a transmission attempt. Late collisions are defined using the LCOL[5:0] field of the Tx function control register.

**8.21.56 Transmit Excessive Collision Packet Counter (TXCL)**

GMAC0 Address: 0x19000108  
 GMAC1 Address: 0x1A000108  
 Access: Read/Write  
 Reset: 0x0

This register is used to count excessive transmitted collision packets.

Bit	Bit Name	Description
31:12	RES	Reserved. Must be written with zero. Contains zeros when read.
11:0	TXCL	Transmit excessive collision packet counter. Incremented for each frame that experienced 16 collisions during transmission and was aborted.

**8.21.57 Transmit Total Collision Counter (TNCL)**

GMAC0 Address: 0x1900010C  
 GMAC1 Address: 0x1A00010C  
 Access: Read/Write  
 Reset: 0x0

This register is used to count transmitted total collision packets.

Bit	Bit Name	Description
31:13	RES	Reserved. Must be written with zero. Contains zeros when read.
12:0	TNCL	Transmit total collision counter. Incremented by the number of collisions experienced during the transmission of a frame as defined as the simultaneous presence of signals on the DO and RD circuits (i.e., transmitting and receiving at the same time). Note, this register does not include collisions that result in an excessive collision condition).

**8.21.58 Transmit Pause Frames Honored Counter (TPFH)**

GMAC0 Address: 0x19000110

This register is used to count honored transmitted pause frames.

GMAC1 Address: 0x1A000110

Access: Read/Write

Reset: 0x0

Bit	Bit Name	Description
31:12	RES	Reserved. Must be written with zero. Contains zeros when read.
11:0	TPFH	Transmit pause frames honored counter. Incremented each time a valid pause MAC control frame is transmitted and honored.

**8.21.59 Transmit Drop Frame Counter (TDRP)**

GMAC0 Address: 0x19000114

This register is used to count transmitted drop frames.

GMAC1 Address: 0x1A000114

Access: Read/Write

Reset: 0x0

Bit	Bit Name	Description
31:12	RES	Reserved. Must be written with zero. Contains zeros when read.
11:0	TDRP	Transmit drop frame counter. Incremented each time input PFH is asserted.

**8.21.60 Transmit Jabber Frame Counter (TJBR)**

GMAC0 Address: 0x19000118

This register is used to count transmitted jabber frames.

GMAC1 Address: 0x1A000118

Access: Read/Write

Reset: 0x0

Bit	Bit Name	Description
31:12	RES	Reserved. Must be written with zero. Contains zeros when read.
11:0	TJBR	Transmit jabber frame counter. Incremented for each oversized transmitted frame with an incorrect FCS value.

**8.21.61 Transmit FCS Error Counter (TFCS)**

GMAC0 Address: 0x1900011C

This register is used to count transmitted FCS errors.

GMAC1 Address: 0x1A00011C

Access: Read/Write

Reset: 0x0

Bit	Bit Name	Description
31:12	RES	Reserved. Must be written with zero. Contains zeros when read.
11:0	TFCS	Transmit FCS error counter. Incremented for every valid sized packet with an incorrect FCS value.



**8.21.62 Transmit Control Frame Counter (TXCF)**

GMAC0 Address: 0x19000120  
 GMAC1 Address: 0x1A000120  
 Access: Read/Write  
 Reset: 0x0

This register is used to count transmitted control frames.

Bit	Bit Name	Description
31:12	RES	Reserved. Must be written with zero. Contains zeros when read.
11:0	TXCF	Transmit control frame counter. Incremented for every valid size frame with a type field signifying a control frame.

**8.21.63 Transmit Oversize Frame Counter (TOVR)**

GMAC0 Address: 0x19000124  
 GMAC1 Address: 0x1A000124000128  
 Access: Read/Write  
 Reset: 0x0

This register is used to count transmitted oversize frames.

Bit	Bit Name	Description
31:12	RES	Reserved. Must be written with zero. Contains zeros when read.
11:0	TOVR	Transmit oversize frame counter. Incremented for each oversized transmitted frame with an correct FCS value.

**8.21.64 Transmit Undersize Frame Counter (TUND)**

GMAC0 Address: 0x19000128  
 GMAC1 Address: 0x1A000128  
 Access: Read/Write  
 Reset: 0x0

This register is used to count transmitted undersize frames.

Bit	Bit Name	Description
31:12	RES	Reserved. Must be written with zero. Contains zeros when read.
11:0	TUND	Transmit undersize frame counter. Incremented for every frame less than 64 bytes, with a correct FCS value.

**8.21.65 Transmit Fragment Counter (TFRG)**

GMAC0 Address: 0x1900012C  
 GMAC1 Address: 0x1A00012C  
 Access: Read/Write  
 Reset: 0x0

This register is used to count transmitted fragments.

Bit	Bit Name	Description
31:12	RES	Reserved. Must be written with zero. Contains zeros when read.
11:0	TFRG	Transmit fragment counter. Incremented for every frame less than 64 bytes, with an incorrect FCS value.

**8.21.66 Carry Register 1 (CAR1)**

GMAC0 Address: 0x19000130

GMAC1 Address: 0x1A000130

Access: Read-Only

Reset: 0x0

Carry register bits are cleared on carry register write while the respective bit is asserted.

Bit	Bit Name	Description
31	C1_64	Carry register 1 TR64 counter carry bit
30	C1_127	Carry register 1 TR127 counter carry bit
29	C1_255	Carry register 1 TR255 counter carry bit
28	C1_511	Carry register 1 TR511 counter carry bit
27	C1_1K	Carry register 1 TR1K counter carry bit
26	C1_MAX	Carry register 1 TRMAX counter carry bit
25	C1_MGV	Carry register 1 TRMGV counter carry bit
24:17	RES	Reserved. Must be written with zero. Contains zeros when read.
16	C1_RBY	Carry register 1 RBYT counter carry bit
15	C1_RPK	Carry register 1 RPKT counter carry bit
14	C1_RFC	Carry register 1 RFCS counter carry bit
13	C1_RMC	Carry register 1 RMCA counter carry bit
12	C1_RBC	Carry register 1 RBCA counter carry bit
11	C1_RXC	Carry register 1 RXCF counter carry bit
10	C1_RXP	Carry register 1 RXPf counter carry bit
9	C1_RXU	Carry register 1 RXUO counter carry bit
8	C1_RAL	Carry register 1 RALN counter carry bit
7	C1_RFL	Carry register 1 RFLR counter carry bit
6	C1_RCD	Carry register 1 RCDE counter carry bit
5	C1_RCS	Carry register 1 RCSE counter carry bit
4	C1_RUN	Carry register 1 RUND counter carry bit
3	C1_ROV	Carry register 1 ROVR counter carry bit
2	C1_RFR	Carry register 1 RFRG counter carry bit
1	C1_RJB	Carry register 1 RJBR counter carry bit
0	C1_RDR	Carry register 1 RDRP counter carry bit

**8.21.67 Carry Register 2 (CAR2)**

GMAC0 Address: 0x19000134

GMAC1 Address: 0x1A000134

Access: Read-Only

Reset: 0x0

Carry register bits are cleared on carry register write while the respective bit is asserted.

Bit	Bit Name	Description
31:20	RES	Reserved. Must be written with zero. Contains zeros when read.
19	C2_TJB	Carry register 2 TJBR counter carry bit
18	C2_TFC	Carry register 2 TFCS counter carry bit
17	C2_TCF	Carry register 2 TXCF counter carry bit
16	C2_TOV	Carry register 2 TOVR counter carry bit
15	C2_TUN	Carry register 2 TUND counter carry bit
14	C2_TFG	Carry register 2 TFRG counter carry bit
13	C2_TBY	Carry register 2 TBYT counter carry bit
12	C2_TPK	Carry register 2 TPKT counter carry bit
11	C2_TMC	Carry register 2 TMCA counter carry bit
10	C2_TBC	Carry register 2 TBCA counter carry bit
9	C2_TPF	Carry register 2 TXPF counter carry bit
8	C2_TDF	Carry register 2 TDFR counter carry bit
7	C2_TED	Carry register 2 TEDF counter carry bit
6	C2_TSC	Carry register 2 TSCL counter carry bit
5	C2_TMA	Carry register 2 TMCL counter carry bit
4	C2_TLC	Carry register 2 TLCL counter carry bit
3	C2_TXC	Carry register 2 TXCL counter carry bit
2	C2_TNC	Carry register 2 TNCL counter carry bit
1	C2_TPH	Carry register 2 TPFH counter carry bit
0	C2_TDP	Carry register 2 TDRP counter carry bit

**8.21.68 Carry Mask Register 1 (CAM1)**

GMAC0 Address: 0x19000138

GMAC1 Address: 0x1A000138

Access: Read/Write

Reset: 0x1

When one of these mask bits is set to zero, the corresponding interrupt bit is allowed to cause interrupt indications on output CARRY.

Bit	Bit Name	Description
31	M1_64	Mask register 1 TR64 counter carry bit
30	M1_127	Mask register 1 TR127 counter carry bit
29	M1_255	Mask register 1 TR255 counter carry bit
28	M1_511	Mask register 1 TR511 counter carry bit
27	M1_1K	Mask register 1 TR1K counter carry bit
26	M1_MAX	Mask register 1 TRMAX counter carry bit
25	M1_MGV	Mask register 1 TRMGV counter carry bit
24:17	RES	Reserved. Must be written with zero. Contains zeros when read.
16	M1_RBY	Mask register 1 RBYT counter carry bit
15	M1_RPK	Mask register 1 RPKT counter carry bit
14	M1_RFC	Mask register 1 RFCS counter carry bit
13	M1_RMC	Mask register 1 RMCA counter carry bit
12	M1_RBC	Mask register 1 RBCA counter carry bit
11	M1_RXC	Mask register 1 RXCF counter carry bit
10	M1_RXP	Mask register 1 RXPF counter carry bit
9	M1_RXU	Mask register 1 RXUO counter carry bit
8	M1_RAL	Mask register 1 RALN counter carry bit
7	M1_RFL	Mask register 1 RFLR counter carry bit
6	M1_RCD	Mask register 1 RCDE counter carry bit
5	M1_RCS	Mask register 1 RCSE counter carry bit
4	M1_RUN	Mask register 1 RUND counter carry bit
3	M1_ROV	Mask register 1 ROVR counter carry bit
2	M1_RFR	Mask register 1 RFRG counter carry bit
1	M1_RJB	Mask register 1 RJBR counter carry bit
0	M1_RDR	Mask register 1 RDRP counter carry bit

**8.21.69 Carry Mask Register 2 (CAM2)**

GMAC0 Address: 0x1900013C

GMAC1 Address: 0x1A00013C

Access: Read/Write

Reset: 0x1

When one of these mask bits is set to zero, the corresponding interrupt bit is allowed to cause interrupt indications on output CARRY.

Bit	Bit Name	Description
31:20	RES	Reserved. Must be written with zero. Contains zeros when read.
19	M2_TJB	Mask register 2 TJBR counter carry bit
18	M2_TFC	Mask register 2 TFCS counter carry bit
17	M2_TCF	Mask register 2 TXCF counter carry bit
16	M2_TOV	Mask register 2 TOVR counter carry bit
15	M2_TUN	Mask register 2 TUND counter carry bit
14	M2_TFG	Mask register 2 TFRG counter carry bit
13	M2_TBY	Mask register 2 TBYT counter carry bit
12	M2_TPK	Mask register 2 TPKT counter carry bit
11	M2_TMC	Mask register 2 TMCA counter carry bit
10	M2_TBC	Mask register 2 TBCA counter carry bit
9	M2_TPF	Mask register 2 TXPF counter carry bit
8	M2_TDF	Mask register 2 TDFR counter carry bit
7	M2_TED	Mask register 2 TEDF counter carry bit
6	M2_TSC	Mask register 2 TSCL counter carry bit
5	M2_TMA	Mask register 2 TMCL counter carry bit
4	M2_TLC	Mask register 2 TLCL counter carry bit
3	M2_TXC	Mask register 2 TXCL counter carry bit
2	M2_TNC	Mask register 2 TNCL counter carry bit
1	M2_TPH	Mask register 2 TPFH counter carry bit
0	M2_TDP	Mask register 2 TDRP counter carry bit

**8.21.70 DMA Transfer Control for Queue 0 (DMATXCNTRL\_Q0)**

GMAC0 Address: 0x19000180

GMAC1 Address: 0x1A000180

Access: Read/Write

Reset: 0x0

Bit	Bit Name	Description
31:1	RES	Reserved. Must be written with zero. Contains zeros when read.
0	TX_ENABLE	Enables queue 0

**8.21.71 Descriptor Address for Queue 0 Tx (DMATXDESCR\_Q0)**

GMAC0 Address: 0x19000184

GMAC1 Address: 0x1A000184

Access: Read/Write

Reset: 0x0

Bit	Bit Name	Description
31:2	DESCR_ADDR	The descriptor address to be fetched for queue 0
1:0	RES	Reserved. Must be written with zero. Contains zeros when read.

**8.21.72 Transmit Status (DMATXSTATUS)**

GMAC0 Address: 0x19000188

GMAC1 Address: 0x1A000188

Access: Read/Write

Reset: 0x0

This register is used to set the bits and flags regarding the DMA controller and its transferring status.

Bit	Bit Name	Description
31:24	RES	Reserved. Must be written with zero. Contains zeros when read.
23:16	TXPKTCOUNT	This 8-bit Tx packet counter increments when the DMA controller transfers a packet successfully, and decrements when the host writes a 1 to TXPKTSENT (bit [0]).
15:12	RES	Reserved.
11	TX_UNDERRUN_Q3	Indicates TXUNDERRUN_Q3 as an interrupt source
10	TX_UNDERRUN_Q2	Indicates TXUNDERRUN_Q2 as an interrupt source
9	TX_UNDERRUN_Q1	Indicates TXUNDERRUN_Q1 as an interrupt source
8:4	RES	Reserved. Must be written with zero. Contains zeros when read.
3	BUS_ERROR	Indicates that the DMA controller received a host/slave split, error, or retry response
2	RES	Reserved. Must be written with zero. Contains zeros when read.
1	TXUNDERRUN_Q0	This bit is set when the DMA controller reads a set (1) empty flag in the descriptor it is processing
0	TXPKTSENT	Indicates that one or more packets transferred successfully. This bit is cleared when TXPKTCOUNT (bits [23:16]) is zero. Writing a 1 to this bit reduces TXPKTCOUNT by one.

**8.21.73 Receive Control (DMARXCTRL)**

GMAC0 Address: 0x1900018C

GMAC1 Address: 0x1A00018C

Access: Read/Write

Reset: 0x0

This register is used to enable the DMA to receive packets.

Bit	Bit Name	Description
31:1	RES	Reserved. Must be written with zero. Contains zeros when read.
0	RXENABLE	Allows the DMA to receive packet transfers. When set, the built-in DMA controller begins receiving packets as the FIFO indicates they are available (FRSOF asserted). The DMA controller clears this bit when it encounters an RX overflow or bus error state.

**8.21.74 Pointer to Receive Descriptor (DMARXDESCR)**

GMAC0 Address: 0x19000190

GMAC1 Address: 0x1A000190

Access: Read/Write

Reset: 0x0

This register is used to find the location of the first TX packet descriptor in the memory.

Bit	Bit Name	Description
31:2	DESCRIPTOR_ADDRESS	The descriptor address. When the RXENABLE (bit [0] of the “Receive Control (DMARXCTRL)” register) is set by the host, the DMA controller reads this register to find the host memory location of the first receive packet descriptor.
1:0	RES	Ignored by the DMA controller, because it is a requirement of the system that all descriptors are 32-bit aligned in the host memory.

**8.21.75 Receive Status (DMARXSTATUS)**

GMAC0 Address: 0x19000194

GMAC1 Address: 0x1A000194

Access: Read/Write

Reset: 0x0

This register is used to set the bits and flags regarding the DMA controller and its receiving status.

Bit	Bit Name	Description
31:24	RES	Reserved. Must be written with zero. Contains zeros when read.
23:16	RXPKTCOUNT	This 8-bit receive packet counter increments when the DMA controller transfers a packet successfully, and decrements when the host writes a 1 to RXPKTRECEIVED (bit [0]).
15:4	RES	Reserved. Must be written with zero. Contains zeros when read.
3	BUSERROR	Indicates that the DMA controller received a host/slave split, error, or retry response
2	RXOVERFLOW	This bit is set when the DMA controller reads a set empty flag in the descriptor it is processing
1	RES	Reserved. Must be written with zero. Contains zeros when read.
0	RXPKT RECEIVED	Indicates that one or more packets were received successfully. This bit is cleared when the RXPKTCOUNT (bits [23:16]) is zero. Writing a 1 to this bit reduces RXPKTCOUNT by one.

**8.21.76 Interrupt Mask (DMAINTRMASK)**

GMAC0 Address: 0x19000198

GMAC1 Address: 0x1A000198

Access: Read/Write

Reset: 0x0

This register is used to configure interrupt masks for the DMA. Setting a bit to 1 enables the corresponding status signal as an interrupt source. The register "DMA Interrupts" is the AND of DMA status bits with this register.

Bit	Bit Name	Description
31:12	RES	Reserved. Must be written with zero. Contains zeros when read.
11	TX_UNDERRUN_Q3_MASK	Setting this bit 1 enables TXUNDERRUN_Q3(bit [11] in the "Transmit Status (DMATXSTATUS)" register) as an interrupt source
10	TX_UNDERRUN_Q2_MASK	Setting this bit 1 enables TXUNDERRUN_Q2 (bit [10] in the "Transmit Status (DMATXSTATUS)" register) as an interrupt source
9	TX_UNDERRUN_Q1_MASK	Setting this bit 1 enables TXUNDERRUN_Q1 (bit [9] in the "Transmit Status (DMATXSTATUS)" register) as an interrupt source
8	RES	Reserved. Must be written with zero. Contains zeros when read.
7	BUS_ERROR_MASK	Setting this bit to 1 enables BUSERROR (bit [3] in the "Receive Status (DMARXSTATUS)" register) as an interrupt source
6	RX_OVERFLOW_MASK	Setting this bit to 1 enables RXOVERFLOW (bit [1] in the "Receive Status (DMARXSTATUS)" register) as in interrupt source
5	RES	Reserved. Must be written with zero. Contains zeros when read.
4	RXPKTRECEIVED_MASK	Enables RXPKTRECEIVED (bit [0] in the "Receive Status (DMARXSTATUS)" register) as an interrupt source
3	BUSERROR_MASK	Setting this bit to 1 enables BUSERROR (bit [3] in the "Transmit Status (DMATXSTATUS)" register) as an interrupt source
2	RES	Reserved. Must be written with zero. Contains zeros when read.
1	TX_UNDERRUN_Q0_MASK	Setting this bit 1 enables TXUNDERRUN_Q0 (bit [1] in the "Transmit Status (DMATXSTATUS)" register) as an interrupt source
0	TXPKTSENT_MASK	Setting this bit to 1 enables TXPKTSENT (bit [0] in the "Transmit Status (DMATXSTATUS)" register) as an interrupt source



### 8.21.77 Interrupts (DMAINTERRUPT)

GMAC0 Address: 0x1900019C  
 GMAC1 Address: 0x1A00019C  
 Access: Read/Write  
 Reset: 0x0

This register is used to configure interrupts for the DMA. Flags in this register clear when their corresponding Status bit is cleared.

Bit	Bit Name	Description
31:12	RES	Reserved. Must be written with zero. Contains zeros when read.
11	TX_UNDERRUN_Q3	Setting this bit 1 enables TXUNDERRUN_Q3(bit [11] in the “Transmit Status (DMATXSTATUS)” register) as an interrupt source
10	TX_UNDERRUN_Q2	Setting this bit 1 enables TXUNDERRUN_Q2 (bit [10] in the “Transmit Status (DMATXSTATUS)” register) as an interrupt source
9	TX_UNDERRUN_Q1	Setting this bit 1 enables TXUNDERRUN_Q1 (bit [9] in the “Transmit Status (DMATXSTATUS)” register) as an interrupt source
8	RES	Reserved. Must be written with zero. Contains zeros when read.
7	BUS_ERROR_MASK	Setting this bit to 1 records an Rx bus error interrupt when BUS_ERROR (bit [3] in the “Receive Status (DMARXSTATUS)” register) and BUS_ERROR_MASK (bit [7] of the “Interrupt Mask (DMAINTRMASK)” register) are both set
6	RX_OVERFLOW_MASK	Setting this bit to 1 records an Rx overflow error interrupt when RX_OVERFLOW (bit [1] in the “Receive Status (DMARXSTATUS)” register) and RX_OVERFLOW_MASK (bit [6] of the “Interrupt Mask (DMAINTRMASK)” register) are both set
5	RES	Reserved. Must be written with zero. Contains zeros when read.
4	RXPKT_RECEIVED_MASK	Records a RX_PKT_RECEIVED error interrupt when RX_PKT_RECEIVED (bit [0] in the “Receive Status (DMARXSTATUS)” register) and RXPKT_RECEIVED_MASK (bit [4] of the “Interrupt Mask (DMAINTRMASK)” register) are both set
3	BUS_ERROR	Setting this bit to 1 enables BUSERROR (bit [3] in the “Transmit Status (DMATXSTATUS)” register) and BUSERROR_MASK (bit [3] of the “Interrupt Mask (DMAINTRMASK)” register) are both set
2	RES	Reserved. Must be written with zero. Contains zeros when read.
1	TX_UNDERRUN_Q0	Setting this bit to 1 enables TX_UNDERRUN (bit [1] in the “Transmit Status (DMATXSTATUS)” register) and TX_UNDERRUN_MASK (bit [1] of the “Interrupt Mask (DMAINTRMASK)” register) are both set
0	TXPKTSENT	Set this bit to 1 enables TXPKTSENT (bit [0] in the “Transmit Status (DMATXSTATUS)” register) and TXPKTSENT_MASK (bit [0] of the “Interrupt Mask (DMAINTRMASK)” register) are both set

### 8.21.78 Ethernet TX Burst (ETH\_ARB\_TX\_BURST)

GMAC0 Address: 0x190001A0  
 GMAC1 Address: 0x1A0001A0  
 Access: Read/Write  
 Reset: 0x48

Tx and Rx requests are arbitrated based on these parameters. These parameters ensure DDR bandwidth is available to both Tx and Rx until the specified number of DWs transfer. Note that this affects the bandwidth/latency of the data for transmit and receive.

Bit	Bit Name	Description
31:26	RES	Reserved
25:16	MAX_RCV_BURST	Maximum number of DWs to be continuously allowed for Rx
15:10	RES	Reserved
9:0	MAX_TX_BURST	Maximum number of DWs to be continuously allowed for Tx

**8.21.79 Current Tx and Rx FIFO Depth (ETH\_XFIFO\_DEPTH)**

GMAC0 Address: 0x190001A8

GMAC1 Address: 0x1A0001A8

Access: Read/Write

Reset: 0x0

Bit	Bit Name	Description
31:26	RES	Reserved
25:16	CURRENT_RX_FIFO_DEPTH	Current Rx FIFO depth
15:10	RES	Reserved
9:0	CURRENT_TX_FIFO_DEPTH	Current Tx FIFO depth

**8.21.80 Ethernet Transmit FIFO Throughput (ETH\_TXFIFO\_TH)**

GMAC0 Address: 0x190001A4

GMAC1 Address: 0x1A0001A4

Access: Read/Write

Reset: See field description

This Ethernet register has a 2 KB Tx FIFO. It is used to determine the minimum and maximum levels of the transfer FIFO and correspondingly keep the transmit levels within the range to keep a continuous data transfer flowing.

Bit	Bit Name	Reset	Description
31:26	RES	0x0	Reserved. Must be written with zero. Contains zeros when read.
25:16	TXFIFO_MAXTH	0x1D8	This bit represents the maximum number of double words in the Tx FIFO, and once this limit is surpassed, this bit should be de-asserted
15:10	RES	0x0	Reserved. Must be written with zero. Contains zeros when read.
9:0	TXFIFO_MINTH	0x160	This bit specifies the minimum number of double words in the Tx FIFO, and if it is less than this value, this bit needs to be asserted.

**8.21.81 Ethernet Receive FIFO Threshold (ETH\_RXFIFO\_TH)**

GMAC0 Address: 0x190001AC

GMAC1 Address: 0x1A0001AC

Access: Read/Write

Reset: See field description

This Ethernet register has a 2 KB Rx FIFO. It is used to determine the minimum and maximum levels of the transfer FIFO and correspondingly keep the transmit levels within the range to keep a continuous data transfer flowing.

Bit	Bit Name	Reset	Description
31:10	SCRATCHREG_0	0x28	This bit is a pure scratch pad register that can be used by the CPU for any general purpose.
9:0	RCVFIFO_MINTH	0x0	The minimum number of double words in the receive FIFO. Once this number is reached, this bit needs to be asserted.

**8.21.82 Ethernet Free Timer (ETH\_FREE\_TIMER)**

GMAC0 Address: 0x190001B8

GMAC1 Address: 0x1A0001B8

Access: Read/Write

Reset: See field description

This register updates the Ethernet descriptors with time stamps

Bit	Bit Name	Reset	Description	
31	TIMER_UPDATE	0x1	0	Timer update at the AHB_CLK
			1	Free timer at the AHB_CLK/4
30:21	SCRATCHREG_1	0x0	The pure general purpose register for use by the CPU	
20:0	FREE_TIMER	0x3FFFFFF	Free timer	

**8.21.83 DMA Transfer Control for Queue 1 (DMATXCNTL\_Q1)**

GMAC0 Address: 0x190001C0

GMAC1 Address: 0x1A0001C0

Access: Read/Write

Reset: 0x0

Bit	Bit Name	Description
31:1	RES	Reserved. Must be written with zero. Contains zeros when read.
0	TX_ENABLE	Enables queue 1

**8.21.84 Descriptor Address for Queue 1 Tx (DMATXDESCR\_Q1)**

GMAC0 Address: 0x190001C4

GMAC1 Address: 0x1A0001C4

Access: Read/Write

Reset: 0x0

Bit	Bit Name	Description
31:2	DESCR_ADDR	The descriptor address to be fetched for queue 1
1:0	RES	Reserved. Must be written with zero. Contains zeros when read.

**8.21.85 DMA Transfer Control for Queue 2 (DMATXCNTL\_Q2)**

GMAC0 Address: 0x190001C8

GMAC1 Address: 0x1A0001C8

Access: Read/Write

Reset: 0x0

Bit	Bit Name	Description
31:1	RES	Reserved. Must be written with zero. Contains zeros when read.
0	TX_ENABLE	Enables queue 2

**8.21.86 Descriptor Address for Queue 2 Tx (DMATXDESCR\_Q2)**

GMAC0 Address: 0x190001CC  
 GMAC1 Address: 0x1A0001CC  
 Access: Read/Write  
 Reset: 0x0

Bit	Bit Name	Description
31:2	DESCR_ADDR	The descriptor address to be fetched for queue 2
1:0	RES	Reserved. Must be written with zero. Contains zeros when read.

**8.21.87 DMA Transfer Control for Queue 3 (DMATXCNTRL\_Q3)**

GMAC0 Address: 0x190001D0  
 GMAC1 Address: 0x1A0001D0 Access: Read/  
 Write  
 Reset: 0x0

Bit	Bit Name	Description
31:1	RES	Reserved. Must be written with zero. Contains zeros when read.
0	TX_ENABLE	Enables queue 3

**8.21.88 Descriptor Address for Queue 3 Tx (DMATXDESCR\_Q3)**

GMAC0 Address: 0x190001D4  
 GMAC1 Address: 0x1A0001D4  
 Access: Read/Write  
 Reset: 0x0

Bit	Bit Name	Description
31:2	DESCR_ADDR	The descriptor address to be fetched for queue 3
1:0	RES	Reserved. Must be written with zero. Contains zeros when read.

**8.21.89 DMA Transfer Arbitration Configuration (DMATXARBCFG)**

GMAC0 Address: 0x190001D8  
 GMAC1 Address: 0x1A0001D8  
 Access: Read/Write  
 Reset: See field description

This register is used to select the type of arbitration used for the QoS feature and the weight to be assigned to a particular queue. Note that a weight of zero is not permitted and causes the hardware to misbehave.

Bit	Bit Name	Reset	Description
31:26	WGT3	0x1	The weight for Queue 3, if WRR has been selected
25:20	WGT2	0x2	The weight for Queue 2, if WRR has been selected
19:14	WGT1	0x4	The weight for Queue 1, if WRR has been selected
13:8	WGT0	0x8	The weight for Queue 0, if WRR has been selected
7:1	RES	0x0	Reserved. Must be written with zero. Contains zeros when read.
0	RRMODE	0x4	Round robin mode
			0   Simple priority (Q0 highest priority)
			1   Weighted round robin (WRR)

**8.21.90 Tx Status and Packet Count for Queues 1 to 3 (DMATXSTATUS\_123)**

GMAC0 Address: 0x190001E4

Access: Read/Write

Reset: 0x0

**NOTE:** This register is available only for GEO MAC.

Bit	Bit Name	Description
31:24	RES	Reserved
23:16	TXPKTCOUNT_CH3	8-bit Tx packet counter that increments when the built-in DMA controller successfully transfers a packet for queue 3, and decrements when the host writes a 1 to bit TXPKTSENT for chain 3 in the “Tx Status and Packet Count (DMATXSTATUS)” register. Default is 0.
15:8	TXPKTCOUNT_CH2	8-bit Tx packet counter that increments when the built-in DMA controller successfully transfers a packet for queue 2, and decrements when the host writes a 1 to bit TXPKTSENT for chain 2 in the “Tx Status and Packet Count (DMATXSTATUS)” register. Default is 0.
7:0	TXPKTCOUNT_CH1	8-bit Tx packet counter that increments when the built-in DMA controller successfully transfers a packet for queue 1, and decrements when the host writes a 1 to bit TXPKTSENT for chain 1 in the “Tx Status and Packet Count (DMATXSTATUS)” register. Default is 0.

**8.21.91 Local MAC Address Dword0 (LCL\_MAC\_ADDR\_DW0)**

GMAC0 Address: 0x19000200

Access: Read/Write

Reset: 0x0

**NOTE:** This register is available only for GEO MAC.

Bit	Bit Name	Description
31:0	LOCAL_MAC_ADDR_DW0	Bits [31:0] of the local L2 MAC address

**8.21.92 Local MAC Address Dword1 (LCL\_MAC\_ADDR\_DW1)**

GMAC0 Address: 0x19000204

Access: Read/Write

Reset: 0x0

**NOTE:** This register is available only for GEO MAC.

Bit	Bit Name	Description
31:16	RES	Reserved
15:0	LOCAL_MAC_ADDR_DW1	Bits [47:32] of the local L2 MAC address

**8.21.93 Next Hop Router MAC Address Dword0 (NXT\_HOP\_DST\_ADDR\_DW0)**

GMAC0 Address: 0x19000208

Access: Read/Write

Reset: 0x0

**NOTE:** This register is available only for GEO MAC.

Bit	Bit Name	Description
31:0	LOCAL_MAC_DST_ADDR_DW0	Bits [31:0] of the next hop router’s local L2 MAC address

**8.21.94** Next Hop Router MAC Destination Address Dword1 (NXT\_HOP\_DST\_ADDR\_DW1)

GMAC0 Address: 0x1900020C

Access: Read/Write

Reset: 0x0

**NOTE:** This register is available only for GEO MAC.

Bit	Bit Name	Description
31:16	RES	Reserved
15:0	LOCAL_MAC_DST_ADDR_DW1	Bits [47:32] of the local L2 MAC address

**8.21.95** Local Global IP Address 0 (GLOBAL\_IP\_ADDR0)

GMAC0 Address: 0x19000210

Access: Read/Write

Reset: 0x0

**NOTE:** This register is available only for GEO MAC.

Bit	Bit Name	Description
31:0	LOCAL_GLOBAL_IP_ADDR0	Local IP address 0 (up to 4 global IP addresses are supported)

**8.21.96** Local Global IP Address 1 (GLOBAL\_IP\_ADDR1)

GMAC0 Address: 0x19000214

GMAC1 Address: 0x1A000214

Access: Read/Write

Reset: 0x0

**NOTE:** This register is available only for GEO MAC.

Bit	Bit Name	Description
31:0	LOCAL_GLOBAL_IP_ADDR1	Local IP address 1 (up to 4 global IP addresses are supported)

**8.21.97** Local Global IP Address 2 (GLOBAL\_IP\_ADDR2)

GMAC0 Address: 0x19000218

Access: Read/Write

Reset: 0x0

**NOTE:** This register is available only for GEO MAC.

Bit	Bit Name	Description
31:0	LOCAL_GLOBAL_IP_ADDR2	Local IP address 2 (up to 4 global IP addresses are supported)

**8.21.98** Local Global IP Address 3 (GLOBAL\_IP\_ADDR3)

GMAC0 Address: 0x1900021C

Access: Read/Write

Reset: 0x0

**NOTE:** This register is available only for GEO MAC.

Bit	Bit Name	Description
31:0	LOCAL_GLOBAL_IP_ADDR3	Local IP address 3 (up to 4 global IP addresses are supported)

**8.21.99 Egress NAT Control and Status (EG\_NAT\_CSR)**

GMAC0 Address: 0x19000228

Access: Read/Write

Reset: See field description

**NOTE:** This register is available only for GEO MAC.

Bit	Bit Name	Reset	Description	
31:7	RES	0x0	Reserved	
6	EG_NAT_FRAG_EDIT_DISABLE	0x0	Egress NAT fragmentation packet edit disable; Disables NAT editing of the egress fragmented packet	
5:2	EG_FIELD_EDIT_MASK	0x0	Egress field edit mask; Setting these bits disables the edit of each field in the egress packet.	
			Bit [0]	Disables NAT Edit of L2 DA field in the packet
			Bit [1]	Disables NAT Edit of L2 SA field in the packet
			Bit [2]	Disables NAT Edit of IP SA field in the packet
	Bit [3]	Disables NAT Edit of L4 source port field in the packet		
1	EG_LOOKUP_DATA_SWAP	0x0	Egress lookup data swap; Enables byte swapping of the data given by the lookup table before editing the egress packet	
0	EG_NAT_DISABLE	0x1	Egress NAT disable; Disables the egress NAT engine. Packets that are Tx DMAed transmit without going through the NAT engine.	

**8.21.100 Egress NAT Counter (EG\_NAT\_CNTR)**

GMAC0 Address: 0x1900022C

Access: Read-Only

Reset: 0x0

**NOTE:** This register is available only for GEO MAC.

Bit	Bit Name	Description
31:16	EG_NAT_ERR_COUNTER	Counter indicating the number of packets that were not NAT edited on egress.
15:0	EG_NAT_DONE_COUNTER	Counter indicating the number of packets successfully NAT edited on egress.

**8.21.101 Ingress NAT Control and Status (IG\_NAT\_CSR)**

GMAC0 Address: 0x19000230

Access: Read/Write

Reset: See field description

**NOTE:** This register is available only for GEO MAC.

Bit	Bit Name	Reset	Description								
31:14	RES	0x0	Reserved								
13	IG_NAT_GLBL_ICMP_REQ_DRP_EN	0x0	Ingress NAT global rule ICMP request packet drop enable; When set to 1, ICMP request packets are dropped. Effective only if bit [8] of this register is set to 1.								
12	IG_NAT_GLBL_ICMP_RPLY_DRP_EN	0x0	Ingress NAT global rule ICMP reply packet drop enable; When set to 1, ICMP packets that are neither request nor reply are dropped. Effective only if bit [8] of this register is set to 1.								
11	IG_NAT_GLBL_TCP_ACK_DRP_EN	0x0	Ingress NAT global rule TCP SYN/ACK packet drop enable; When set to 1, any TCP packet received that fails NAT and has both the SYN and ACK flags set to 1 are dropped. Effective only if bit [8] of this register is set to 1.								
10	IG_NAT_GLBL_TCP_SYN_DRP_EN	0x0	Ingress NAT global rule TCP SYN packet drop enable; When set to 1, any TCP packet received that fails NAT and has the SYN flag set to 1 are dropped. Effective only if bit [8] of this register is set to 1.								
9	IG_NAT_GLBL_L2_DROP_EN	0x0	Ingress NAT global rule L2 drop enable; When set to 1, packets that do not match the L2 LOCAL_MAC_ADDR programmed in the “Local MAC Address Dword0 (LCL_MAC_ADDR_DW0)” and “Local MAC Address Dword1 (LCL_MAC_ADDR_DW1)” registers are dropped. Effective only if bit [8] of this register is set to 1.								
8	IG_NAT_GLBL_RULE_EN	0x0	Ingress NAT global rule enable; Enables the basic firewall to drop packets for certain global rules based on bits [13:9] of this register								
7	IG_NAT_FRAG_EDIT_DISABLE	0x0	Ingress NAT fragmentation packet edit disable; Disables NAT editing of the ingress fragmented packet								
6	IG_L4CKSUM_EN	0x0	Ingress L4 checksum; Disables NAT editing of the ingress fragmented packet								
5:2	IG_FIELD_EDIT_MASK[3:0]	0x0	Ingress field edit mask; setting the bits disables the edit of each of the fields in the ingress packet. <table border="1" style="width: 100%; border-collapse: collapse;"> <tr> <td style="width: 10%;">Bit [0]</td> <td>Disables NAT edit of L2 DA field in the packet</td> </tr> <tr> <td>Bit [1]</td> <td>Disables NAT edit of L2 SA field in the packet</td> </tr> <tr> <td>Bit [2]</td> <td>Disables NAT edit of IP DA field in the packet</td> </tr> <tr> <td>Bit [3]</td> <td>Disables NAT edit of L4 dest port field in the packet</td> </tr> </table>	Bit [0]	Disables NAT edit of L2 DA field in the packet	Bit [1]	Disables NAT edit of L2 SA field in the packet	Bit [2]	Disables NAT edit of IP DA field in the packet	Bit [3]	Disables NAT edit of L4 dest port field in the packet
Bit [0]	Disables NAT edit of L2 DA field in the packet										
Bit [1]	Disables NAT edit of L2 SA field in the packet										
Bit [2]	Disables NAT edit of IP DA field in the packet										
Bit [3]	Disables NAT edit of L4 dest port field in the packet										
1	IG_LOOKUP_DATA_SWAP	0x0	Ingress lookup data swap; Enables byte swapping of the data given by the lookup table before editing the ingress packet								
0	IG_NAT_DISABLE	0x1	Ingress NAT disable; Disables the ingress NAT engine. Packets that are received are DMAed without going through the NAT engine.								

**8.21.102 Ingress NAT Counter (IG\_NAT\_CNTR)**

GMAC0 Address: 0x19000234

Access: Read-Only

Reset: 0x0

**NOTE:** This register is available only for GEO MAC.

Bit	Bit Name	Description
31:16	IG_NAT_ERR_COUNTER [EG_NAT_ERR_COUNTER]	Ingress NAT error counter; Counter indicating the number of packets that were not NAT edited on ingress.
15:0	IG_NAT_DONE_COUNTER [EG_NAT_DONE_COUNTER]	Ingress NAT done counter; Counter indicating the number of packets successfully NAT edited on ingress.



**8.21.103 Egress ACL Control and Status (EG\_ACL\_CSR)**

GMAC0 Address: 0x19000238

Access: Read-Only

Reset: See field description

**NOTE:** This register is available only for GEO MAC.

Bit	Bit Name	Reset	Description
31:1	RES	0x0	Reserved
0	EG_ACL_DISABLE	0x1	Egress ACL disable; Disables the egress ACL functionality. Default is 1.

**8.21.104 Ingress ACL Control and Status (IG\_ACL\_CSR)**

GMAC0 Address: 0x1900023C

Access: Read/Write

Reset: See field description

**NOTE:** This register is available only for GEO MAC.

Bit	Bit Name	Reset	Description
31:1	RES	0x0	Reserved
0	IG_ACL_DISABLE	0x1	Ingress ACL disable; Disables the ingress ACL functionality. Default is 1.

**8.21.105 Egress ACL CMD0 and Action (EG\_ACL\_CMD0\_AND\_ACTION)**

GMAC0 Address: 0x19000240

Access: Read/Write

Reset: 0x0

This register is used to program the ACL table.

**NOTE:** This register is available only for GEO MAC.

Bit	Bit Name	Description
31:21	RES	Reserved
20:16	EG_ACL_CMD0	Egress ACL command 0; The CMD0 field of the entry in ACL table.
15:14	RES	Reserved
13:8	EG_ACL_NEP	Egress ACL next entry pointer Points to the next entry in the ACL Table this entry is linked to. Valid only if bit [1] of this register is set to 1.
7:4	RES	Reserved
3	EG_ACL_ALLOW	Egress ACL allow; When set, the action associated with this entry/rule in the ACL table is to allow the packet.
2	EG_ACL_REJECT	Egress ACL reject; When set, the action associated with this entry/rule in the ACL table is to reject the packet.
1	EG_ACL_LINKED	Egress ACL linked; When set, this entry in the ACL table is linked to another entry in the table.
0	EG_ACL_RULE_HD	Egress ACL rule head; When set, this entry in the ACL table is considered the head of the rule.

**8.21.106 Egress ACL CMD1, CMD2, CMD3 and CMD4 (EG\_ACL\_CMD1234)**

GMAC0 Address: 0x19000244

Access: Read/Write

Reset: 0x0

This register is used to program the ACL table.

**NOTE:** This register is available only for GE0 MAC.

Bit	Bit Name	Description
31:29	RES	Reserved
28:24	EG_ACL_CMD4	Egress ACL command 4: the CMD4 field of the entry in ACL table
23:21	RES	Reserved
20:16	EG_ACL_CMD3	Egress ACL command 3: the CMD4 field of the entry in ACL table
15:13	RES	Reserved
12:8	EG_ACL_CMD2	Egress ACL command 2: the CMD4 field of the entry in ACL table
7:5	RES	Reserved
4:0	EG_ACL_CMD1	Egress ACL command 1: the CMD4 field of the entry in ACL table

**8.21.107 Egress ACL OPERAND 0 (EG\_ACL\_OPERAND0)**

GMAC0 Address: 0x19000248

Access: Read/Write

Reset: 0x0

This register is used to program the ACL table.

**NOTE:** This register is available only for GE0 MAC.

Bit	Bit Name	Description
31:0	EG_ACL_OPERAND0	Egress ACL operand 0; The lower order [31:0] bits of the Operand field of the entry in ACL table.

**8.21.108 Egress ACL OPERAND 1 (EG\_ACL\_OPERAND1)**

GMAC0 Address: 0x1900024C

Access: Read/Write

Reset: 0x0

This register is used to program the ACL table.

**NOTE:** This register is available only for GE0 MAC.

Bit	Bit Name	Description
31:0	EG_ACL_OPERAND0	Egress ACL operand 1; The higher order [63:32] bits of the operand field of the entry in ACL table.

### 8.21.109 Egress ACL Memory Control (EG\_ACL\_MEM\_CONTROL)

GMAC0 Address: 0x19000250

Access: See field description

Reset: 0x0

This register is used to control the ACL table operations.

**NOTE:** This register is available only for GEO MAC.

Bit	Bit Name	Access	Description
31:15	RES	RO	Reserved
14	EG_ACL_INIT	RW	Egress ACL initialization; When set to 1, the ACL table is initialized to all 0s. Software should always initialize the ACL table before loading entries into the ACL table. This bit clears itself once initialization is done.
13	EG_ACL_GLOBAL_RULE_VALID	RW	Egress ACL global rule valid
			0   Only individual rules determine the allow/drop of the packets
12	EG_ACL_GLOBAL_DROP	RW	Egress ACL global drop
			0   The global rule indicates whether to allow the packet, and individual rules drop the packets
11	EG_ACL_RULE_MAP_DONE	RO	Egress ACL rule map done; After the last entry is loaded, when hardware sets this bit to 1, it indicates that the rule mapping is done. Only when hardware sets this bit to 1, the ACL_DISABLE bit in the “Egress ACL Control and Status (EG_ACL_CSR)” register shall be set to 0 (ACL shall be enabled).
			1   Bit [12] of this register is valid
10	EG_ACL_LAST_ENTRY	RW	Egress ACL last entry; Indicates if this is the last entry to write to the ACL table.
9	EG_ACL_ACK_REG	RO	Egress ACL acknowledge; When this bit is ready by software as 1, it indicates that the write or read operation to the ACL table is done.
8	EG_ACL_TABLE_WR	RW	Egress ACL register write; When software sets this bit to 1 during a write to this register, the entry as pointed by the entry address is written to the ACL table with the fields taken from the earlier registers (e.g., commands or operands). When software sets this bit to 0 during a write to this register, a read from the ACL table is initiated to the entry pointed by the entry address and the entry fields are available in these registers after the ACK bit is set to 1. For write operations, software ensure all these registers and the fields of this register are correctly written.
7:6	RES	RO	Reserved
5:0	EG_ACL_ENTRY_ADDR	RW	Egress ACL entry addr; The entry address where this entry is to be loaded in the ACL table.

**8.21.110 Ingress ACL CMD0 and Action (IG\_ACL\_CMD0\_AND\_ACTION)**

GMAC0 Address: 0x19000254

Access: Read/Write

Reset: 0x0

This register is used to program the ACL table.

**NOTE:** This register is available only for GEO MAC.

Bit	Bit Name	Description
31:21	RES	Reserved
20:16	IG_ACL_CMD0	Ingress ACL command 0; The CMD0 field of the entry in ACL table.
15:14	RES	Reserved
13:8	IG_ACL_NEP	Ingress ACL next entry pointer; Points to the Next Entry in the ACL Table to which this entry is linked to. Valid only if bit [1] of this register is set to 1.
7:4	RES	Reserved
3	IG_ACL_ALLOW	Ingress ACL allow; When set, the action associated with this entry/rule is to allow the packet.
2	IG_ACL_REJECT	Ingress ACL reject; When set, the action associated with this entry/rule is to reject the packet.
1	IG_ACL_LINKED	Ingress ACL linked; When set, this entry in the ACL table is linked to another entry in the table.
0	IG_ACL_RULE_HD	Ingress ACL rule head; When set, this entry in the ACL table is considered the head of the rule.

**8.21.111 Ingress ACL CMD1, CMD2, CMD3 and CMD4 (IG\_ACL\_CMD1234)**

GMAC0 Address: 0x19000258

Access: Read/Write

Reset: See field description

This register is used to program the ACL table.

**NOTE:** This register is available only for GEO MAC.

Bit	Bit Name	Description
31:29	RES	Reserved
28:24	IG_ACL_CMD4	Ingress ACL command 4: the CMD4 field of the entry in ACL table
23:21	RES	Reserved
20:16	IG_ACL_CMD3	Ingress ACL command 3: the CMD4 field of the entry in ACL table
15:13	RES	Reserved
12:8	IG_ACL_CMD2	Ingress ACL command 2: the CMD4 field of the entry in ACL table
7:5	RES	Reserved
4:0	IG_ACL_CMD1	Ingress ACL command 1: the CMD4 field of the entry in ACL table

**8.21.112 Ingress ACL OPERAND 0 (IG\_ACL\_OPERAND0)**

GMAC0 Address: 0x1900025C

Access: Read/Write

Reset: See field description

This register is used to program the ACL table.

**NOTE:** This register is available only for GEO MAC.

Bit	Bit Name	Description
31:0	IG_ACL_OPERAND0	Ingress ACL operand 0; The lower order [31:0] bits of the operand field of the entry in ACL table.

**8.21.113 Ingress ACL OPERAND 1 (IG\_ACL\_OPERAND1)**

GMAC0 Address: 0x19000260

Access: Read/Write

Reset: See field description

This register is used to program the ACL table.

**NOTE:** This register is available only for GEO MAC.

Bit	Bit Name	Description
31:0	IG_ACL_OPERAND0	Ingress ACL operand 1; The higher order [63:32] bits of the operand field of the entry in ACL table.

**8.21.114 Ingress ACL Memory Control (IG\_ACL\_MEM\_CONTROL)**

GMAC0 Address: 0x19000264

Access: Read/Write

Reset: See field description

This register is used to control the ACL table operations.

This register is available only for GEO MAC.

Bit	Bit Name	Access	Description
31:15	RES	RO	Reserved
14	IG_ACL_INIT	RW	Ingress ACL initialization; When set to 1, the ACL table is initialized to all 0s. Software should always initialize the ACL table before loading entries into the ACL table. This bit clears itself once initialization is done.
13	IG_ACL_GLOBAL_RULE_VALID	RW	Ingress ACL global rule valid
			0   Only individual rules determine the allow/drop of the packets 1   Bit [12] of this register is valid
12	IG_ACL_GLOBAL_DROP	RW	Ingress ACL global drop
			0   The global rule indicates whether to allow the packet, and individual rules drop the packets 1   The global rule is to drop the packets, and individual rules indicate whether to allow the packet
11	IG_ACL_RULE_MAP_DONE	RO	Ingress ACL rule map done; After the last entry is loaded, when hardware sets this bit to 1, it indicates that the rule mapping is done. Only when hardware sets this bit to 1, the ACL_DISABLE bit in the “Egress ACL Control and Status (EG_ACL_CSR)” register shall be set to 0 (ACL shall be enabled).
10	IG_ACL_LAST_ENTRY	RW	Ingress ACL last entry; Indicates if this is the last entry to write to the ACL table.
9	IG_ACL_ACK_RIG	RO	Ingress ACL acknowledge; When this bit is ready by software as 1, it indicates that the write or read operation to the ACL table is done.
8	IG_ACL_TABLE_WR	RW	Ingress ACL register write; When software sets this bit to 1 during a write to this register, the entry as pointed by the entry address is written to the ACL table with the fields taken from the earlier registers (e.g., commands or operands). When software sets this bit to 0 during a write to this register, a read from the ACL table is initiated to the entry pointed by the entry address and the entry fields are available in these registers after the ACK bit is set to 1. For write operations, software ensure all these registers and the fields of this register are correctly written.
7:6	RES	RO	Reserved
5:0	IG_ACL_ENTRY_ADDR	RW	Ingress ACL entry addr; The entry address where this entry is to be loaded in the ACL table.

**8.21.115 Ingress ACL Counter Group 0 (IG\_ACL\_COUNTER\_GRP0)**

GMAC0 Address: 0x19000268

Access: Read-Only

Reset: 0x0

**NOTE:** This register is available only for GEO MAC.

Bit	Bit Name	Description
31:24	COUNT_IG_RULE3	Counter indicating the number of ingress packets that hit rule 3
23:16	COUNT_IG_RULE2	Counter indicating the number of ingress packets that hit rule 2
15:8	COUNT_IG_RULE1	Counter indicating the number of ingress packets that hit rule 1
7:0	COUNT_IG_RULE0	Counter indicating the number of ingress packets that hit rule 0

**8.21.116 Ingress ACL Counter Group 1 (IG\_ACL\_COUNTER\_GRP1)**

GMAC0 Address: 0x1900026C

Access: Read/Write

Reset: 0x0

**NOTE:** This register is available only for GEO MAC.

Bit	Bit Name	Description
31:24	COUNT_IG_RULE7	Counter indicating the number of ingress packets that hit rule 7
23:16	COUNT_IG_RULE6	Counter indicating the number of ingress packets that hit rule 6
15:8	COUNT_IG_RULE5	Counter indicating the number of ingress packets that hit rule 5
7:0	COUNT_IG_RULE4	Counter indicating the number of ingress packets that hit rule 4

**8.21.117 Ingress ACL Counter Group 2 (IG\_ACL\_COUNTER\_GRP2)**

GMAC0 Address: 0x19000270

Access: Read/Write

Reset: 0x0

**NOTE:** This register is available only for GEO MAC.

Bit	Bit Name	Description
31:24	COUNT_IG_RULE11	Counter indicating the number of ingress packets that hit rule 11
23:16	COUNT_IG_RULE10	Counter indicating the number of ingress packets that hit rule 10
15:8	COUNT_IG_RULE9	Counter indicating the number of ingress packets that hit rule 9
7:0	COUNT_IG_RULE8	Counter indicating the number of ingress packets that hit rule 8

**8.21.118 Ingress ACL Counter Group 3 (IG\_ACL\_COUNTER\_GRP3)**

GMAC0 Address: 0x19000274

Access: Read/Write

Reset: 0x0

**NOTE:** This register is available only for GEO MAC.

Bit	Bit Name	Description
31:24	COUNT_IG_RULE15	Counter indicating the number of ingress packets that hit rule 15
23:16	COUNT_IG_RULE14	Counter indicating the number of ingress packets that hit rule 14
15:8	COUNT_IG_RULE13	Counter indicating the number of ingress packets that hit rule 13
7:0	COUNT_IG_RULE12	Counter indicating the number of ingress packets that hit rule 12

**8.21.119 Ingress ACL Counter Group 4 (IG\_ACL\_COUNTER\_GRP4)**

GMAC0 Address: 0x19000278

Access: Read/Write

Reset: 0x0

**NOTE:** This register is available only for GEO MAC.

Bit	Bit Name	Description
31:24	COUNT_IG_RULE19	Counter indicating the number of ingress packets that hit rule 19
23:16	COUNT_IG_RULE18	Counter indicating the number of ingress packets that hit rule 18
15:8	COUNT_IG_RULE17	Counter indicating the number of ingress packets that hit rule 17
7:0	COUNT_IG_RULE16	Counter indicating the number of ingress packets that hit rule 16

**8.21.120 Ingress ACL Counter Group 5 (IG\_ACL\_COUNTER\_GRP5)**

GMAC0 Address: 0x1900027C

Access: Read/Write

Reset: 0x0

**NOTE:** This register is available only for GEO MAC.

Bit	Bit Name	Description
31:24	COUNT_IG_RULE23	Counter indicating the number of ingress packets that hit rule 23
23:16	COUNT_IG_RULE22	Counter indicating the number of ingress packets that hit rule 22
15:8	COUNT_IG_RULE21	Counter indicating the number of ingress packets that hit rule 21
7:0	COUNT_IG_RULE20	Counter indicating the number of ingress packets that hit rule 20

**8.21.121 Ingress ACL Counter Group 6 (IG\_ACL\_COUNTER\_GRP6)**

GMAC0 Address: 0x19000280

Access: Read/Write

Reset: 0x0

**NOTE:** This register is available only for GEO MAC.

Bit	Bit Name	Description
31:24	COUNT_IG_RULE27	Counter indicating the number of ingress packets that hit rule 27
23:16	COUNT_IG_RULE26	Counter indicating the number of ingress packets that hit rule 26
15:8	COUNT_IG_RULE25	Counter indicating the number of ingress packets that hit rule 25
7:0	COUNT_IG_RULE24	Counter indicating the number of ingress packets that hit rule 24

**8.21.122 Ingress ACL Counter Group 7 (IG\_ACL\_COUNTER\_GRP7)**

GMAC0 Address: 0x19000284

Access: Read/Write

Reset: 0x0

**NOTE:** This register is available only for GEO MAC.

Bit	Bit Name	Description
31:24	COUNT_IG_RULE31	Counter indicating the number of ingress packets that hit rule 31
23:16	COUNT_IG_RULE30	Counter indicating the number of ingress packets that hit rule 30
15:8	COUNT_IG_RULE29	Counter indicating the number of ingress packets that hit rule 29
7:0	COUNT_IG_RULE28	Counter indicating the number of ingress packets that hit rule 28

**8.21.123 Ingress ACL Counter Group 8 (IG\_ACL\_COUNTER\_GRP8)**

GMAC0 Address: 0x19000288

Access: Read/Write

Reset: 0x0

**NOTE:** This register is available only for GEO MAC.

Bit	Bit Name	Description
31:24	COUNT_IG_RULE35	Counter indicating the number of ingress packets that hit rule 35
23:16	COUNT_IG_RULE34	Counter indicating the number of ingress packets that hit rule 34
15:8	COUNT_IG_RULE33	Counter indicating the number of ingress packets that hit rule 33
7:0	COUNT_IG_RULE32	Counter indicating the number of ingress packets that hit rule 32

**8.21.124 Ingress ACL Counter Group 9 (IG\_ACL\_COUNTER\_GRP9)**

GMAC0 Address: 0x1900028C

Access: Read/Write

Reset: 0x0

**NOTE:** This register is available only for GEO MAC.

Bit	Bit Name	Description
31:24	COUNT_IG_RULE39	Counter indicating the number of ingress packets that hit rule 39
23:16	COUNT_IG_RULE38	Counter indicating the number of ingress packets that hit rule 38
15:8	COUNT_IG_RULE37	Counter indicating the number of ingress packets that hit rule 37
7:0	COUNT_IG_RULE36	Counter indicating the number of ingress packets that hit rule 36

**8.21.125 Ingress ACL Counter Group 10 (IG\_ACL\_COUNTER\_GRP10)**

GMAC0 Address: 0x19000290

Access: Read/Write

Reset: 0x0

**NOTE:** This register is available only for GEO MAC.

Bit	Bit Name	Description
31:24	COUNT_IG_RULE43	Counter indicating the number of ingress packets that hit rule 43
23:16	COUNT_IG_RULE42	Counter indicating the number of ingress packets that hit rule 42
15:8	COUNT_IG_RULE41	Counter indicating the number of ingress packets that hit rule 41
7:0	COUNT_IG_RULE40	Counter indicating the number of ingress packets that hit rule 40

**8.21.126 Ingress ACL Counter Group 11 (IG\_ACL\_COUNTER\_GRP11)**

GMAC0 Address: 0x19000294

Access: Read/Write

Reset: 0x0

**NOTE:** This register is available only for GEO MAC.

Bit	Bit Name	Description
31:24	COUNT_IG_RULE47	Counter indicating the number of ingress packets that hit rule 47
23:16	COUNT_IG_RULE46	Counter indicating the number of ingress packets that hit rule 46
15:8	COUNT_IG_RULE45	Counter indicating the number of ingress packets that hit rule 45
7:0	COUNT_IG_RULE44	Counter indicating the number of ingress packets that hit rule 44



**8.21.127 Ingress ACL Counter Group 12 (IG\_ACL\_COUNTER\_GRP12)**

GMAC0 Address: 0x19000298

Access: Read/Write

Reset: 0x0

**NOTE:** This register is available only for GEO MAC.

Bit	Bit Name	Description
31:24	COUNT_IG_RULE51	Counter indicating the number of ingress packets that hit rule 51
23:16	COUNT_IG_RULE50	Counter indicating the number of ingress packets that hit rule 50
15:8	COUNT_IG_RULE49	Counter indicating the number of ingress packets that hit rule 49
7:0	COUNT_IG_RULE48	Counter indicating the number of ingress packets that hit rule 48

**8.21.128 Ingress ACL Counter Group 13 (IG\_ACL\_COUNTER\_GRP13)**

GMAC0 Address: 0x1900029C

Access: Read/Write

Reset: 0x0

**NOTE:** This register is available only for GEO MAC.

Bit	Bit Name	Description
31:24	COUNT_IG_RULE55	Counter indicating the number of ingress packets that hit rule 55
23:16	COUNT_IG_RULE54	Counter indicating the number of ingress packets that hit rule 54
15:8	COUNT_IG_RULE53	Counter indicating the number of ingress packets that hit rule 53
7:0	COUNT_IG_RULE52	Counter indicating the number of ingress packets that hit rule 52

**8.21.129 Ingress ACL Counter Group 14 (IG\_ACL\_COUNTER\_GRP14)**

GMAC0 Address: 0x190002A0

Access: Read/Write

Reset: 0x0

**NOTE:** This register is available only for GEO MAC.

Bit	Bit Name	Description
31:24	COUNT_IG_RULE59	Counter indicating the number of ingress packets that hit rule 59
23:16	COUNT_IG_RULE58	Counter indicating the number of ingress packets that hit rule 58
15:8	COUNT_IG_RULE57	Counter indicating the number of ingress packets that hit rule 57
7:0	COUNT_IG_RULE56	Counter indicating the number of ingress packets that hit rule 56

**8.21.130 Ingress ACL Counter Group 15 (IG\_ACL\_COUNTER\_GRP15)**

GMAC0 Address: 0x190002A4

Access: Read/Write

Reset: 0x0

**NOTE:** This register is available only for GEO MAC.

Bit	Bit Name	Description
31:24	COUNT_IG_RULE63	Counter indicating the number of ingress packets that hit rule 63
23:16	COUNT_IG_RULE62	Counter indicating the number of ingress packets that hit rule 62
15:8	COUNT_IG_RULE61	Counter indicating the number of ingress packets that hit rule 61
7:0	COUNT_IG_RULE60	Counter indicating the number of ingress packets that hit rule 60

**8.21.131 Egress ACL Counter Group 0 (EG\_ACL\_COUNTER\_GRP0)**

GMAC0 Address: 0x190002A8

Access: Read/Write

Reset: 0x0

**NOTE:** This register is available only for GEO MAC.

Bit	Bit Name	Description
31:24	COUNT_EG_RULE3	Counter indicating the number of egress packets that hit rule 3
23:16	COUNT_EG_RULE2	Counter indicating the number of egress packets that hit rule 2
15:8	COUNT_EG_RULE1	Counter indicating the number of egress packets that hit rule 1
7:0	COUNT_EG_RULE0	Counter indicating the number of egress packets that hit rule 0

**8.21.132 Egress ACL Counter Group 1 (EG\_ACL\_COUNTER\_GRP1)**

GMAC0 Address: 0x190002AC

Access: Read/Write

Reset: See field description

**NOTE:** This register is available only for GEO MAC.

Bit	Bit Name	Description
31:24	COUNT_EG_RULE7	Counter indicating the number of egress packets that hit rule 7
23:16	COUNT_EG_RULE6	Counter indicating the number of egress packets that hit rule 6
15:8	COUNT_EG_RULE5	Counter indicating the number of egress packets that hit rule 5
7:0	COUNT_EG_RULE4	Counter indicating the number of egress packets that hit rule 4

**8.21.133 Egress ACL Counter Group 2 (EG\_ACL\_COUNTER\_GRP2)**

GMAC0 Address: 0x190002B0

Access: Read/Write

Reset: See field description

**NOTE:** This register is available only for GEO MAC.

Bit	Bit Name	Description
31:24	COUNT_EG_RULE11	Counter indicating the number of egress packets that hit rule 11
23:16	COUNT_EG_RULE10	Counter indicating the number of egress packets that hit rule 10
15:8	COUNT_EG_RULE9	Counter indicating the number of egress packets that hit rule 9
7:0	COUNT_EG_RULE8	Counter indicating the number of egress packets that hit rule 8

**8.21.134 Egress ACL Counter Group 3 (EG\_ACL\_COUNTER\_GRP3)**

GMAC0 Address: 0x190002B4

Access: Read/Write

Reset: See field description

**NOTE:** This register is available only for GEO MAC.

Bit	Bit Name	Description
31:24	COUNT_EG_RULE15	Counter indicating the number of egress packets that hit rule 15
23:16	COUNT_EG_RULE14	Counter indicating the number of egress packets that hit rule 14
15:8	COUNT_EG_RULE13	Counter indicating the number of egress packets that hit rule 13
7:0	COUNT_EG_RULE12	Counter indicating the number of egress packets that hit rule 12

**8.21.135 Egress ACL Counter Group 4 (EG\_ACL\_COUNTER\_GRP4)**

GMAC0 Address: 0x190002B8

Access: Read/Write

Reset: See field description

**NOTE:** This register is available only for GEO MAC.

Bit	Bit Name	Description
31:24	COUNT_EG_RULE19	Counter indicating the number of egress packets that hit rule 19
23:16	COUNT_EG_RULE18	Counter indicating the number of egress packets that hit rule 18
15:8	COUNT_EG_RULE17	Counter indicating the number of egress packets that hit rule 17
7:0	COUNT_EG_RULE16	Counter indicating the number of egress packets that hit rule 16

**8.21.136 Egress ACL Counter Group 5 (EG\_ACL\_COUNTER\_GRP5)**

GMAC0 Address: 0x190002BC

Access: Read/Write

Reset: See field description

**NOTE:** This register is available only for GEO MAC.

Bit	Bit Name	Description
31:24	COUNT_EG_RULE23	Counter indicating the number of egress packets that hit rule 23
23:16	COUNT_EG_RULE22	Counter indicating the number of egress packets that hit rule 22
15:8	COUNT_EG_RULE21	Counter indicating the number of egress packets that hit rule 21
7:0	COUNT_EG_RULE20	Counter indicating the number of egress packets that hit rule 20

**8.21.137 Egress ACL Counter Group 6 (EG\_ACL\_COUNTER\_GRP6)**

GMAC0 Address: 0x190002C0

Access: Read/Write

Reset: See field description

**NOTE:** This register is available only for GEO MAC.

Bit	Bit Name	Description
31:24	COUNT_EG_RULE27	Counter indicating the number of egress packets that hit rule 27
23:16	COUNT_EG_RULE26	Counter indicating the number of egress packets that hit rule 26
15:8	COUNT_EG_RULE25	Counter indicating the number of egress packets that hit rule 25
7:0	COUNT_EG_RULE24	Counter indicating the number of egress packets that hit rule 24

**8.21.138 Egress ACL Counter Group 7 (EG\_ACL\_COUNTER\_GRP7)**

GMAC0 Address: 0x190002C4

Access: Read/Write

Reset: See field description

**NOTE:** This register is available only for GEO MAC.

Bit	Bit Name	Description
31:24	COUNT_EG_RULE31	Counter indicating the number of egress packets that hit rule 31
23:16	COUNT_EG_RULE30	Counter indicating the number of egress packets that hit rule 30
15:8	COUNT_EG_RULE29	Counter indicating the number of egress packets that hit rule 29
7:0	COUNT_EG_RULE28	Counter indicating the number of egress packets that hit rule 28

**8.21.139 Egress ACL Counter Group 8 (EG\_ACL\_COUNTER\_GRP8)**

GMAC0 Address: 0x190002C8

Access: Read/Write

Reset: See field description

**NOTE:** This register is available only for GEO MAC.

Bit	Bit Name	Description
31:24	COUNT_EG_RULE35	Counter indicating the number of egress packets that hit rule 35
23:16	COUNT_EG_RULE34	Counter indicating the number of egress packets that hit rule 34
15:8	COUNT_EG_RULE33	Counter indicating the number of egress packets that hit rule 33
7:0	COUNT_EG_RULE32	Counter indicating the number of egress packets that hit rule 32

**8.21.140 Egress ACL Counter Group 9 (EG\_ACL\_COUNTER\_GRP9)**

GMAC0 Address: 0x190002CC

Access: Read/Write

Reset: See field description

**NOTE:** This register is available only for GEO MAC.

Bit	Bit Name	Description
31:24	COUNT_EG_RULE39	Counter indicating the number of egress packets that hit rule 39
23:16	COUNT_EG_RULE38	Counter indicating the number of egress packets that hit rule 38
15:8	COUNT_EG_RULE37	Counter indicating the number of egress packets that hit rule 37
7:0	COUNT_EG_RULE36	Counter indicating the number of egress packets that hit rule 36

**8.21.141 Egress ACL Counter Group 10 (EG\_ACL\_COUNTER\_GRP10)**

GMAC0 Address: 0x190002D0

Access: Read/Write

Reset: See field description

**NOTE:** This register is available only for GEO MAC.

Bit	Bit Name	Description
31:24	COUNT_EG_RULE43	Counter indicating the number of egress packets that hit rule 43
23:16	COUNT_EG_RULE42	Counter indicating the number of egress packets that hit rule 42
15:8	COUNT_EG_RULE41	Counter indicating the number of egress packets that hit rule 41
7:0	COUNT_EG_RULE40	Counter indicating the number of egress packets that hit rule 40

**8.21.142 Egress ACL Counter Group 11 (EG\_ACL\_COUNTER\_GRP11)**

GMAC0 Address: 0x190002D4

Access: Read/Write

Reset: See field description

**NOTE:** This register is available only for GEO MAC.

Bit	Bit Name	Description
31:24	COUNT_EG_RULE47	Counter indicating the number of egress packets that hit rule 47
23:16	COUNT_EG_RULE46	Counter indicating the number of egress packets that hit rule 46
15:8	COUNT_EG_RULE45	Counter indicating the number of egress packets that hit rule 45
7:0	COUNT_EG_RULE44	Counter indicating the number of egress packets that hit rule 44

**8.21.143 Egress ACL Counter Group 12 (EG\_ACL\_COUNTER\_GRP12)**

GMAC0 Address: 0x190002D8

Access: Read/Write

Reset: See field description

**NOTE:** This register is available only for GEO MAC.

Bit	Bit Name	Description
31:24	COUNT_EG_RULE51	Counter indicating the number of egress packets that hit rule 51
23:16	COUNT_EG_RULE50	Counter indicating the number of egress packets that hit rule 50
15:8	COUNT_EG_RULE49	Counter indicating the number of egress packets that hit rule 49
7:0	COUNT_EG_RULE48	Counter indicating the number of egress packets that hit rule 48

**8.21.144 Egress ACL Counter Group 13 (EG\_ACL\_COUNTER\_GRP13)**

GMAC0 Address: 0x190002DC

Access: Read/Write

Reset: See field description

**NOTE:** This register is available only for GEO MAC.

Bit	Bit Name	Description
31:24	COUNT_EG_RULE55	Counter indicating the number of egress packets that hit rule 55
23:16	COUNT_EG_RULE54	Counter indicating the number of egress packets that hit rule 54
15:8	COUNT_EG_RULE53	Counter indicating the number of egress packets that hit rule 53
7:0	COUNT_EG_RULE52	Counter indicating the number of egress packets that hit rule 52

**8.21.145 Egress ACL Counter Group 14 (EG\_ACL\_COUNTER\_GRP14)**

GMAC0 Address: 0x190002E0

Access: Read/Write

Reset: See field description

**NOTE:** This register is available only for GEO MAC.

Bit	Bit Name	Description
31:24	COUNT_EG_RULE59	Counter indicating the number of egress packets that hit rule 59
23:16	COUNT_EG_RULE58	Counter indicating the number of egress packets that hit rule 58
15:8	COUNT_EG_RULE57	Counter indicating the number of egress packets that hit rule 57
7:0	COUNT_EG_RULE56	Counter indicating the number of egress packets that hit rule 56

**8.21.146 Egress ACL Counter Group 15 (EG\_ACL\_COUNTER\_GRP15)**

GMAC0 Address: 0x190002E4

Access: Read/Write

Reset: See field description

**NOTE:** This register is available only for GEO MAC.

Bit	Bit Name	Description
31:24	COUNT_EG_RULE63	Counter indicating the number of egress packets that hit rule 63
23:16	COUNT_EG_RULE62	Counter indicating the number of egress packets that hit rule 62
15:8	COUNT_EG_RULE61	Counter indicating the number of egress packets that hit rule 61
7:0	COUNT_EG_RULE60	Counter indicating the number of egress packets that hit rule 60

## 8.21.147 Clear ACL Counters (CLEAR\_ACL\_COUNTERS)

GMAC0 Address: 0x190002E8

Access: Read/Write

Reset: 0x0

**NOTE:** This register is available only for GEO MAC.

Bit	Bit Name	Description
31:2	RES	Reserved
1	CLEAR_EG_COUNTERS	Set to clear all the egress ACL counters; Software must write a 0 to enable the ACL counters
0	CLEAR_IG_COUNTERS	Set to clear all the ingress ACL counters Software must write a 0 to enable the ACL counters

## 8.22 USB Controller Registers

Table 8-25 summarizes the USB controller registers and the modes they support.

Table 8-25. USB Controller Registers [1]

Offset	Access	Name	Description	DEV	SPH	Page
<b>Identification Registers</b>						
Declare the slave interface presence						
0x1B000000	RO	ID	Identification	X	X	page 360
0x1B000004	RO	HWGENERAL	General Hardware Parameters	X	X	page 360
0x1B000008	RO	HWHOST	Host Hardware Parameters		X	page 360
0x1B00000C	RO	HWDEVICE	Device Hardware Parameters	X		page 361
0x1B000010	RO	HWTXBUF	Tx Buffer Hardware Parameters	X	X	page 361
0x1B000014	RO	HWRXBUF	Rx Buffer Hardware Parameters	X	X	page 361
<b>Device/Host Timer Registers</b>						
Measure time-related activities						
0x1B000080	RW	GPTIMER0LD	General Purpose Timer 0 Load	X	X	page 361
0x1B000084	Varies	GPTIMER0CTRL	General Purpose Timer 0 Control	X	X	page 362
0x1B000088	RW	GPTIMER1LD	General Purpose Timer 1 Load	X	X	page 362
0x1B00008C	RW	GPTIMER1CTRL	General Purpose Timer 1 Control	X	X	page 363
<b>Device/Host Capability Registers</b>						
Specify the software limits, restrictions, and capabilities of the host/device controller implementation						
0x1B000100	RO	CAPLENGTH	Capability Register Length	X	X	page 363
0x1B000102	RO	HCIVERSION	Host Interface Version Number		X	page 364
0x1B000104	RO	HCCPARAMS	Host Control Structural Parameters		X	page 364
0x1B000108	RO	HCCPARAMS	Host Control Capability Parameters		X	page 365
0x1B000120	RO	DCIVERSION	Device Interface Version Number	X		page 365
0x1B000122	RO	DCCPARAMS	Device Control Capability Parameters	X		page 365

Table 8-25. USB Controller Registers (continued)<sup>[1]</sup>

Offset	Access	Name	Description	DEV	SPH	Page
<b>Device/Host Operational Registers</b>						
0x1B000140	Varies	USBCMD	USB Command	X	X	page 366
0x1B000144	Varies	USBSTS	USB Status	X	X	page 368
0x1B000148	RW	USBINTR	USB Interrupt Enable	X	X	page 370
0x1B00014C	Varies	FRINDEX	USB Frame Index	X	X	page 372
0x1B000154	RW	PERIODICLISTBASE	Frame List Base Address		X	page 373
—	RW	DEVICEADDR	USB Device Address	X		page 373
0x1B000158	RW	ASYNCLISTADDR	Next Asynchronous List Address		X	page 373
—	RW	ENDPOINTLIST_ADDR	Address at Endpoint List in Memory	X		page 374
0x1B00015C	RW	TTCTRL	TT Status and Control		X	page 374
0x1B000160	RW	BURSTSIZE	Programmable Burst Size	X	X	page 374
0x1B000164	RW	TXFILLTUNING	Host Tx Pre-Buffer Packet Tuning		X	page 375
0x1B000178	RWC	ENDPTNAK	Endpoint NAK	X		page 376
0x1B00017C	RW	ENDPTNAKEN	Endpoint NAK Enable	X		page 376
0x1B000184	Varies	PORTSC0	Port/Status Control	X	X	page 377
0x1B0001A8	RW	USBMODE	USB Mode	X	X	page 382
0x1B0001AC	RWC	ENDPTSETUPSTAT	Endpoint Setup Status	X		page 383
0x1B0001B0	RWC	ENDPTPRIME	Endpoint Initialization	X		page 383
0x1B0001B4	WC	ENDPTFLUSH	Endpoint De-Initialization	X		page 384
0x1B0001B8	RO	ENDPTSTATUS	Endpoint Status	X		page 384
0x1B0001BC	RWC	ENDPTCOMPLETE	Endpoint Complete	X		page 385
0x1B0001C0	RW	ENDPTCTRL0	Endpoint Control 0	X		page 385
0x1B0001C4	RW	ENDPTCTRL1	Endpoint Control 1	X		page 386
0x1B0001C8	RW	ENDPTCTRL2	Endpoint Control 2	X		page 386
0x1B0001CC	RW	ENDPTCTRL3	Endpoint Control 3	X		page 386
0x1B0001D0	RW	ENDPTCTRL4	Endpoint Control 4	X		page 386
0x1B0001D4	RW	ENDPTCTRL5	Endpoint Control 5	X		page 386

[1]DEV = Device Mode  
SPH = Single-Port Host

### 8.22.1 Identification (ID)

Offset: 0x1B000000  
 Access: Read-Only  
 Reset Value: 0x42FA05

Provides a simple way to determine whether the system provides the USB-HS USB 2.0 core and identifies the USB-HS USB 2.0 core and revision number.

Bit	Name	Description
31:24	RES	Reserved. Must be set to 0.
23:16	REVISION[7:0]	Core revision number
15:14	RES	Reserved. Must be set to 1.
13:8	NID[5:0]	Complement version of ID bits [5:0]
7:6	RES	Reserved. Must be set to 0.
5:0	ID	Configuration number; Set to 0x05 Indicates that the peripheral is the USB-HS USB 2.0 core.

### 8.22.2 General Hardware Parameters (HWGENERAL)

Offset: 0x1B000004  
 Access: Read-Only  
 Reset Value: 0x22

Bit	Name	Description
31:10	RES	Reserved. Must be set to 0.
9	SM	VUSB_HS_PHY_SERIAL
8:6	PHYM	VUSB_HS_PHY_TYPE
5:4	PHYW	VUSB_HS_PHY16_8
3	RES	Reserved
2:1	CLKC	VUSB_HS_CLOCK_CONFIGURATION
0	RT	VUSB_HS_RESET_TYPE

### 8.22.3 Host Hardware Parameters (HWHOST)

Offset: 0x1B000008  
 Access: Read-Only  
 Reset Value: 0x1002001

Bit	Name	Description
31:24	TTPER	VUSB_HS_TT_PERIODIC_CONTEXTS
23:16	TTASY	VUSB_HS_TT_ASYNC_CONTEXTS
15:4	RES	Reserved. Must be set to 0.
3:1	NPORT	VUSB_HS_NUM_PORT - 1
0	HC	VUSB_HS_HOST



#### 8.22.4 Device Hardware Parameters (HWDEVICE)

Offset: 0x1B00000C

Access: Read-Only

Reset Value: 0xD

Bit	Name	Description
31:6	RES	Reserved. Must be set to 0.
5:1	DEVEP	VUSB_HS_DEV_EP
0	DC	Device capable; [0 ≥ VUSB_HS_DEV]

#### 8.22.5 Tx Buffer Hardware Parameters (HWTXBUF)

Offset: 0x1B000010

Access: Read-Only

Reset Value: 0x80060908

Bit	Name	Description
31:24	RES	Reserved. Must be set to 0.
23:16	TXCHANADD	VUSB_HS_TX_CHAN_ADD
15:8	TXADD	VUSB_HS_TX_ADD
7:0	TXBURST	VUSB_HS_TX_BURST

#### 8.22.6 Rx Buffer Hardware Parameters (HWRXBUF)

Offset: 0x1B000014

Access: Read-Only

Reset Value: 0x608

Bit	Name	Description
31:16	RES	Reserved. Must be set to 0.
15:8	RXADD	VUSB_HS_RX_ADD
7:0	RXBURST	VUSB_HS_RX_BURST

#### 8.22.7 General Purpose Timer 0 Load (GPTIMEROLD)

Offset: 0x1B000080

Contains the timer duration or load value.

Access: Read/Write

Reset Value: 0

Bit	Name	Description
31:24	RES	Reserved. Must be set to 0.
23:0	GPTLD	General purpose timer load value The value to load into the GPTCNT countdown timer on a reset action. This value in this register represents the time (in ms minus 1) for the timer duration.

### 8.22.8 General Purpose Timer 0 Control (GPTIMEROCTRL)

Offset: 0x1B000084  
 Access: Read/Write  
 Reset Value: 0

Contains the timer control. A data field can be queried to determine the running count value. This timer has granularity on 1  $\mu$ s and can be programmed to over 16 s. This timer supports two modes: a one-shot and a looped count. When the timer counter value goes to zero an interrupt can be generated using the timer interrupts in the USBSTS and USBINTR registers.

Bit	Name	Description	
31	GPTRUN	General purpose timer run (read/write) Enables the general-purpose timer to run. Setting or clearing this bit will not have an effect on the GPTCNT.	
		0	Timer stop
		1	Timer run
30	GPTRST	General purpose timer reset (write-only)	
		0	No action
		1	Load counter value Writing a one to this bit reloads GPTCNT with the value in GPTLD.
29:25	RES	Reserved. Must be set to 0.	
24	GPTMODE	General purpose timer mode (read/write) Selects between a single-timer (one-shot) countdown and a looped countdown.	
		0	One-shot The timer counts down to zero, generates an interrupt, and stops until the counter is reset by software.
		1	Repeat The timer counts down to zero, generates an interrupt, and automatically reloads the counter to restart.
23:0	GPTCNT	General purpose timer counter (read-only) The running timer value.	

### 8.22.9 General Purpose Timer 1 Load (GPTIMER1LD)

Offset: 0x1B000088  
 Access: Read/Write  
 Reset Value: 0

See also “General Purpose Timer 0 Load (GPTIMER0LD)” on page 361.

Bit	Name	Description
31:24	RES	Reserved. Must be set to 0.
23:0	GPTLD	General purpose timer load value The value to load into the GPTCNT countdown timer on a reset action. This value in this register represents the time (in ms minus 1) for the timer duration.

### 8.22.10 General Purpose Timer 1 Control (GPTIMER1CTRL)

Offset: 0x1B00008C  
 Access: Read/Write  
 Reset Value: 0

See also “General Purpose Timer 0 Control (GPTIMER0CTRL)” on page 362.

Bit	Name	Description
31	GPTRUN	General purpose timer run (read/write) Enables the general-purpose timer to run. Setting or clearing this bit will not have an effect on the GPTCNT.
		0   Timer stop
		1   Timer run
30	GPTRST	General purpose timer reset (write-only)
		0   No action
		1   Load counter value Writing a one to this bit reloads GPTCNT with the value in GPTLD.
29:25	RES	Reserved. Must be set to 0.
24	GPTMODE	General purpose timer mode (read/write) Selects between a single-timer (one-shot) countdown and a looped countdown.
		0   One-shot The timer counts down to zero, generates an interrupt, and stops until the counter is reset by software.
		1   Repeat The timer counts down to zero, generates an interrupt, and automatically reloads the counter to restart.
23:0	GPTCNT	General purpose timer counter (read-only) The running timer value.

### 8.22.11 Capability Register Length (CAPLENGTH)

Offset: 0x1B000100  
 Access: Read-Only  
 Reset Value: 0x40

Bit	Name	Description
31:8	RES	Reserved. Must be set to 0.
7:0	CAPLENGTH	Capability register length Indicates which offset to add to the beginning of the register base address of the operational registers (see <a href="#">Table 8-25, “Device/Host Operational Registers”</a> on <a href="#">page 359</a> )

**8.22.12 Host Interface Version Number (HCIVERSION)**

Offset: 0x1B000102

Access: Read-Only

Bit	Name	Description
31:16	RES	Reserved. Must be set to 0.
15:0	HCIVERSION	This two-byte register contains a BCD encoding of the EHCI revision number supported by this host controller. The most significant byte of this register represents a major revision, and the least significant byte is the minor revision.

**8.22.13 Host Control Structural Parameters (HCSPARAMS)**

Offset: 0x1B000104

Access: Read-Only

Bit	Name	Description				
31:28	RES	Reserved. Must be set to 0.				
27:24	N_TT	Number of transaction translators Indicates the number of embedded transaction translators associated with the USB2.0 host controller. Always set to 0.				
23:20	N_PTT	Number of ports per transaction translator Indicates the number of ports assigned to each transaction translator within the USB2.0 host controller.				
19:17	RES	Reserved. Must be set to 0.				
16	PI	Port indicator Indicates whether ports support port indicator control. This field is always set to 1, so the port status and control registers include a read/writable field for controlling the port indicator state.				
15:12	N_CC	Number of companion controllers Indicates the number of companion controllers associated with this USB 2.0 host controller. A value larger than zero in this field indicates there are companion USB1.1 host controller(s) and port-ownership hand-offs are supported. High, Full- and Low-speed devices are supported on the host controller root ports.				
11:8	N_PCC	Number of ports per companion controller Indicates the number of ports supported per internal companion controller; used to indicate the port routing configuration to the system software.				
7:5	RES	Reserved. Must be set to 0.				
4	PPC	Port power control Indicates whether the host controller implementation includes port power control. <table border="1" data-bbox="479 1575 1383 1711"> <tbody> <tr> <td>0</td> <td>Indicates the ports do not have port power switches. The value of this field affects the functionality of the port power field in each port status and control register.</td> </tr> <tr> <td>1</td> <td>Indicates the ports have port power switches</td> </tr> </tbody> </table>	0	Indicates the ports do not have port power switches. The value of this field affects the functionality of the port power field in each port status and control register.	1	Indicates the ports have port power switches
0	Indicates the ports do not have port power switches. The value of this field affects the functionality of the port power field in each port status and control register.					
1	Indicates the ports have port power switches					
3:0	N_PORTS	Number of downstream ports Specifies the number of physical downstream ports implemented on this host controller. The value determines how many port registers are addressable in the operational registers (see <a href="#">Table 8-25, "Device/Host Operational Registers"</a> on <a href="#">page 359</a> ). Valid values range from 0x1–0xF. A zero in this field is undefined.				

### 8.22.14 Host Control Capability Parameters (HCCPARAMS)

Offset: 0x1B000108  
Access: Read-Only  
Reset Value: 0x0006

Identifies multiple mode control addressing capability.

Bit	Name	Description		
31:16	RES	Reserved. Must be set to 0.		
15:8	EECP	EHCI extended capabilities pointer (default = 0) This optional field indicates the existence of a capabilities list.		
7:4	IST	Isochronous scheduling threshold; Indicates where software can reliably update the isochronous schedule relative to the current position of the executing host controller.		
		<table border="1"> <tr> <td>bit[7] = 0</td> <td>The value of the least significant three bits indicates the number of micro-frames a host controller can hold a set of isochronous data structures (one or more) before flushing the state</td> </tr> <tr> <td>bit[7] = 1</td> <td>Host software assumes the host controller may cache an isochronous data structure for an entire frame</td> </tr> </table>	bit[7] = 0	The value of the least significant three bits indicates the number of micro-frames a host controller can hold a set of isochronous data structures (one or more) before flushing the state
bit[7] = 0	The value of the least significant three bits indicates the number of micro-frames a host controller can hold a set of isochronous data structures (one or more) before flushing the state			
bit[7] = 1	Host software assumes the host controller may cache an isochronous data structure for an entire frame			
3	RES	Reserved. Must be set to 0.		
2	ASP	Asynchronous schedule park capability (default = 1) The feature can be disabled or enabled and set to a specific level by using the asynchronous schedule park mode enable and asynchronous schedule park mode count fields in the register “USB Command (USBCMD)” on page 366.		
		1   The host controller supports the park feature for high-speed queue heads in the asynchronous schedule		
1	PFL	Programmable frame list flag		
		0   System software must use a frame list length of 1024 elements with this host controller. The frame list size field in the register “USB Command (USBCMD)” is read-only and must be set to zero.		
		1   System software can specify and use a smaller frame list and configure the host controller via the frame list size field in the register “USB Command (USBCMD)”. The frame list must always be aligned on a 4K-page boundary, ensuring the frame list is always physically contiguous.		
0	ADC	64-bit addressing capability; must be set to 0. 64-bit addressing capability is not supported.		

### 8.22.15 Device Interface Version Number (DCIVERSION)

Offset: 0x1B000120  
Access: Read-Only

Bit	Name	Description
31:16	RES	Reserved. Must be set to 0.
15:0	DCIVERSION	The device controller interface conforms to the two-byte BCD encoding of the interface version number contained in this register.

### 8.22.16 Device Control Capability Parameters (DCCPARAMS)

Offset: 0x1B000124  
Access: Read-Only

Bit	Name	Description
31:9	RES	Reserved. Must be set to 0.
8	HC	Host capable; the controller can operate as an EHCI-compatible USB 2.0 host controller.
7	DC	Device capable; when set to 1, this controller is capable of operating as a USB 2.0 device.
6:5	RES	Reserved. Must be set to 0.
4:0	DEN	Device endpoint number Indicates the number of endpoints (0–16) built into the device controller. If this controller is not device capable, this field is zero.

## 8.22.17 USB Command (USBCMD)

Offset: 0x1B000140

Access: See field description

Reset Value: 00080B00h (host mode)  
00080000h (device mode)

Bit	Name	Description	
31:24	RES	Reserved. Must be set to zero.	
23:16	ITC	RW	Interrupt threshold control System software uses this field to set the max. rate the host/device controller issues interrupts at. ITC contains the maximum interrupt interval measured in micro-frames.
		0x0	Immediate (no threshold)
		0x1	1 micro-frame
		0x2	2 micro-frames
		0x4	4 micro-frames
		0x8	8 micro-frames
		0x10	16 micro-frames
		0x20	32 micro-frames
0x40	64 micro-frames		
15	FS2	RW/RO	Frame list size Read/write if programmable frame list flag in the register “ <a href="#">Host Control Structural Parameters (HCSPARAMS)</a> ” on <a href="#">page 364</a> is set to one. Specifies the size of the frame list that controls which bits in the register “ <a href="#">USB Frame Index (FRINDEX)</a> ” on <a href="#">page 372</a> to use for the frame list current index. This field is made up of bits [15, 3:2] of this register.
		000	1024 elements (4096 bytes) (default)
		001	512 elements (2048 bytes)
		010	256 elements (1024 bytes)
		011	128 elements (512 bytes)
		100	64 elements (256 bytes)
		101	32 elements (128 bytes)
		110	16 elements (64 bytes)
111	8 elements (32 bytes)		
14	ATDT W	RW	Add dTD tripwire (device mode only) Used as a semaphore to ensure the to proper addition of a new dTD to an active (primed) endpoint’s linked list. This bit is set and cleared by software. This bit shall also be cleared by hardware when its state machine is hazard region for which adding a dTD to a primed endpoint may go unrecognized.
13	SUTW	RW	Setup tripwire (device mode only) Used as a semaphore to ensure the 8-byte setup data payload is extracted from a QH by the DCD without being corrupted. If the setup lockout mode is off, a hazard exists when new setup data arrives while the DCD is copying the setup data payload from the QH for a previous setup packet. This bit is set and cleared by software and cleared by hardware when a hazard exists.
12	RES	Reserved. Must be set to zero.	
11	ASPE	RW/RO	Asynchronous schedule park mode enable (Host mode only) If the asynchronous park capability bit in the register “ <a href="#">Host Control Structural Parameters (HCSPARAMS)</a> ” is a one, this bit defaults to 0x1 and is read/write. Otherwise the bit must be a zero and is RO. Software uses this bit to enable or disable park mode.
		0	Park mode is disabled
		1	Park mode is enabled
10	RES	Reserved. Must be set to zero.	

Bit	Name	Description					
9	ASP1	RW	Asynchronous schedule park mode count (optional)				
8	ASP0	/RO	<p>If the asynchronous park capability bit in the register <a href="#">“Host Control Structural Parameters (HCSPARAMS)”</a> is a one, this field defaults to 0x3 and is read/write. Otherwise it defaults to zero and is RO.</p> <p>Contain a count of the number of successive transactions the host controller is allowed to execute from a high-speed queue head on the asynchronous schedule before continuing traversal of the asynchronous schedule. Valid values are 0x1–0x3. Software should not write a zero to this bit when park mode is enabled.</p>				
7	RES		Reserved. Must be set to zero.				
6	IAA	RW	<p>Interrupt on asynchronous advance doorbell (host mode only)</p> <p>Used as a doorbell by software to tell the host controller to issue an interrupt the next time it advances asynchronous schedule. Software must write a 1 to this bit to ring the doorbell. When the host controller has evicted all appropriate cached schedule states, it sets the interrupt on the asynchronous advance status bit in the register <a href="#">“USB Status (USBSTS)”</a>. If the interrupt on synchronous advance enable bit in the register <a href="#">“USB Interrupt Enable (USBINTR)”</a> is set to one, the host controller asserts an interrupt at the next interrupt threshold.</p> <p>The host controller sets this bit to zero after setting the interrupt on the synchronous advance status bit in the register <a href="#">“USB Status (USBSTS)”</a> to one. Software should not write a one to this bit if asynchronous schedule is inactive.</p>				
5	ASE	RW	<p>Asynchronous schedule enable (host mode only)</p> <table border="1"> <tr> <td>0</td> <td>Do not process the asynchronous schedule (default)</td> </tr> <tr> <td>1</td> <td>Use the register <a href="#">“Next Asynchronous List Address (ASYNCLISTADDR)”</a> to access the asynchronous schedule</td> </tr> </table>	0	Do not process the asynchronous schedule (default)	1	Use the register <a href="#">“Next Asynchronous List Address (ASYNCLISTADDR)”</a> to access the asynchronous schedule
0	Do not process the asynchronous schedule (default)						
1	Use the register <a href="#">“Next Asynchronous List Address (ASYNCLISTADDR)”</a> to access the asynchronous schedule						
4	PSE	RW	<p>Periodic schedule enable (host mode only)</p> <table border="1"> <tr> <td>0</td> <td>Do not process the periodic schedule (default)</td> </tr> <tr> <td>1</td> <td>Use the register <a href="#">“Frame List Base Address (PERIODICLISTBASE)”</a> on <a href="#">page 373</a> to access the asynchronous schedule</td> </tr> </table>	0	Do not process the periodic schedule (default)	1	Use the register <a href="#">“Frame List Base Address (PERIODICLISTBASE)”</a> on <a href="#">page 373</a> to access the asynchronous schedule
0	Do not process the periodic schedule (default)						
1	Use the register <a href="#">“Frame List Base Address (PERIODICLISTBASE)”</a> on <a href="#">page 373</a> to access the asynchronous schedule						
3	FS1	RW	Frame list size				
2	FS0	/RO	See bit [15], <a href="#">“FS2”</a> , for description.				
1	RST	RW	<p>Controller reset (RESET)</p> <p>Software uses this bit to reset the controller. This bit is set to zero by the host/device controller when the reset process is complete. Software cannot terminate the reset process early by writing a zero to this register.</p> <table border="1"> <tr> <td>Host</td> <td>When this bit is set by software, the host controller resets internal pipelines, timers, etc. to the initial values. Any transaction in progress on USB is immediately terminated. A USB reset is not driven on downstream ports. SW should not set this bit to 1 when HCHalted in the register <a href="#">“USB Status (USBSTS)”</a> is set to 0.</td> </tr> <tr> <td>Device</td> <td>When software writes a 1 to this bit, the device controller resets internal pipelines, timers, etc. to the initial values. Writing a 1 to this bit when the device is in the attached state is not recommended. To ensure the device is not in attached state before initiating a device controller reset, primed endpoints must be flushed and the run/stop bit [0] set to 0.</td> </tr> </table>	Host	When this bit is set by software, the host controller resets internal pipelines, timers, etc. to the initial values. Any transaction in progress on USB is immediately terminated. A USB reset is not driven on downstream ports. SW should not set this bit to 1 when HCHalted in the register <a href="#">“USB Status (USBSTS)”</a> is set to 0.	Device	When software writes a 1 to this bit, the device controller resets internal pipelines, timers, etc. to the initial values. Writing a 1 to this bit when the device is in the attached state is not recommended. To ensure the device is not in attached state before initiating a device controller reset, primed endpoints must be flushed and the run/stop bit [0] set to 0.
Host	When this bit is set by software, the host controller resets internal pipelines, timers, etc. to the initial values. Any transaction in progress on USB is immediately terminated. A USB reset is not driven on downstream ports. SW should not set this bit to 1 when HCHalted in the register <a href="#">“USB Status (USBSTS)”</a> is set to 0.						
Device	When software writes a 1 to this bit, the device controller resets internal pipelines, timers, etc. to the initial values. Writing a 1 to this bit when the device is in the attached state is not recommended. To ensure the device is not in attached state before initiating a device controller reset, primed endpoints must be flushed and the run/stop bit [0] set to 0.						
0	RS	RW	<p>Run/Stop (1 = Run, 0 = stop (default))</p> <table border="1"> <tr> <td>Host</td> <td>When set to a 1, the host controller proceeds with the schedule and continues as long as this bit is set to 1. When this bit is set to 0, the host controller completes the current transaction on the USB then halts. The HCHalted bit in the register <a href="#">“USB Status (USBSTS)”</a> indicates when the host controller has completed the transaction and stopped. Software should not write a one to this field unless the host controller is stopped.</td> </tr> <tr> <td>Device</td> <td>Writing a 1 to this bit causes the device controller to enable a pull-up on D+ and initiates an attach event. This bit is not connected to pull-up enable, as the pull-up becomes disabled on transitioning to high-speed mode. This bit prevents an attach event before the device controller is properly initialized. Writing a 0 causes a detach event.</td> </tr> </table>	Host	When set to a 1, the host controller proceeds with the schedule and continues as long as this bit is set to 1. When this bit is set to 0, the host controller completes the current transaction on the USB then halts. The HCHalted bit in the register <a href="#">“USB Status (USBSTS)”</a> indicates when the host controller has completed the transaction and stopped. Software should not write a one to this field unless the host controller is stopped.	Device	Writing a 1 to this bit causes the device controller to enable a pull-up on D+ and initiates an attach event. This bit is not connected to pull-up enable, as the pull-up becomes disabled on transitioning to high-speed mode. This bit prevents an attach event before the device controller is properly initialized. Writing a 0 causes a detach event.
Host	When set to a 1, the host controller proceeds with the schedule and continues as long as this bit is set to 1. When this bit is set to 0, the host controller completes the current transaction on the USB then halts. The HCHalted bit in the register <a href="#">“USB Status (USBSTS)”</a> indicates when the host controller has completed the transaction and stopped. Software should not write a one to this field unless the host controller is stopped.						
Device	Writing a 1 to this bit causes the device controller to enable a pull-up on D+ and initiates an attach event. This bit is not connected to pull-up enable, as the pull-up becomes disabled on transitioning to high-speed mode. This bit prevents an attach event before the device controller is properly initialized. Writing a 0 causes a detach event.						

## 8.22.18 USB Status (USBSTS)

Offset: 0x1B000144

Access: See field description

Reset Value: 0

Indicates various states of the host/device controller and pending interrupts. This register does not indicate status resulting from a transaction on the serial bus. Software clears some bits in this register by writing a 1 to them.

Bit	Name	Description
31:26	RES	Reserved. Must be set to zero.
25	TI	RWC General purpose timer interrupt 1 Set when the counter in the register “ <a href="#">General Purpose Timer 1 Control (GPTIMER1CTRL)</a> ” on <a href="#">page 363</a> transitions to zero. Write-one-to-clear.
24	TI0	RWC General purpose timer interrupt 0 Set when the counter in the register “ <a href="#">General Purpose Timer 0 Control (GPTIMER0CTRL)</a> ” on <a href="#">page 362</a> transitions to zero. Write-one-to-clear.
23:20	RES	Reserved. Must be set to zero.
19	UPI	RWC USB host periodic interrupt Set by the host controller when the cause of an interrupt is a completion of a USB transaction where the transfer descriptor (TD) has an interrupt on complete (IOC) bit set and the TD was from the periodic schedule. This bit is also set by the host controller when a short packet (the actual number of bytes received was less than the expected number of bytes) is detected and the packet is on the periodic schedule. Write-one-to-clear.
18	UAI	RWC USB host asynchronous interrupt Set by the host controller when the cause of an interrupt is a completion of a USB transaction where the TD has an interrupt on complete (IOC) bit set AND the TD was from the asynchronous schedule. This bit is also set by the host controller when a short packet (the actual number of bytes received was less than the expected number of bytes) is detected and the packet is on the asynchronous schedule. Write-one-to-clear.
17	RES	Reserved. Must be set to zero.
16	NAKI	RO Set by hardware when for one endpoint, both the Tx/Rx endpoint NAK bit and the corresponding Tx/Rx endpoint NAK enable bit are set. Automatically cleared by hardware when the all enabled Tx/Rx endpoint NAK bits are cleared.
15	AS	RO Reports the real status of the asynchronous schedule (host mode only) The host controller is not required to immediately disable or enable the asynchronous schedule when software transitions the asynchronous schedule enable bit in the register “ <a href="#">USB Command (USBCMD)</a> ” on <a href="#">page 366</a> . When this bit and the asynchronous schedule enable bit are the same value, the asynchronous schedule is either enabled (1) or disabled (0 = Default).
14	PS	RO Reports the real status of the periodic schedule (host mode only) The host controller is not required to immediately disable or enable the periodic schedule when software transitions the periodic schedule enable bit in the register “ <a href="#">USB Command (USBCMD)</a> ”. When this bit and the periodic schedule enable bit are the same value, the periodic schedule is either enabled (1) or disabled (0 = Default).
13	RCL	RO Reclamation (host mode only) Used to detect an empty asynchronous schedule.
12	HCH	RO HCHaItd (host mode only) This bit is a zero whenever the run/stop bit in the register “ <a href="#">USB Command (USBCMD)</a> ” is set to one. The host controller sets this bit to one (default setting) after it has stopped executing because the run/stop bit is set to 0, either by software or by the host controller hardware.



Bit	Name	Description
11	RES	Reserved. Must be set to zero.
10	ULPII	RWC ULPI interrupt Only present in designs where the configuration constant VUSB_HS_PHY_ULPI = 1.
9	RES	Reserved. Must be set to zero.
8	SLI	RWC DCSuspend When a device controller enters a suspend state from an active state, this bit is set to 1. Cleared by the device controller upon exiting from a suspend state. Write-one-to-clear.
7	SRI	RWC Start-of-(micro-)frame (SOF) received When the device controller detects a SOF, this bit is set to 1. When a SOF is late, the device controller automatically sets this bit to indicate that an SOF was expected, thus this bit is set about every 1 ms in device FS mode and every 125 ms in HS mode, and synchronized to the received SOF. Because the device controller initializes to FS before connect, this bit is set at an interval of 1 ms during the prelude to connect and chirp. Write-one-to-clear.
6	URI	RWC USB reset received (device controller only) When the device controller detects a USB Reset and enters the default state (0), this bit is set to 1. Write-one-to-clear.
5	AAI	RWC Interrupt on asynchronous advance (Host mode only) System software can force the host controller to issue an interrupt the next time the host controller advances the asynchronous schedule by writing a 1 to the interrupt on asynchronous advance doorbell bit in the register "USB Command (USBCMD)". Indicates the assertion of that interrupt source. Write-one-to-clear.
4	RES	Reserved. Must be set to zero.
3	FRI	RWC Frame list rollover (Host mode only) The host controller sets this bit to a 1 when the frame list index rolls over from its maximum value to 0. The exact value at which the rollover occurs depends on frame list size, e.g, if the size (as programmed in the frame list size field of the register "USB Command (USBCMD)") is 1024, the frame index register rolls over every time FRINDEX [13] toggles. Similarly, if the size is 512, the host controller sets this bit to 1 every time FHINDEX [12] toggles. Write-one-to-clear.
2	PCI	RWC Port change detect Host The host controller sets this bit to 1 when on any port, a connect status or a port enable/disable change occurs, or the force port resume bit is set as the result of a transition on the suspended port. Device The device controller sets this bit to 1 when the port controller enters full- or high-speed operational state. When the port controller exits full- or high-speed operation states due to reset or suspend events, the notification mechanisms are the USB Reset Received bit and the DCSuspend bits respectively. Write-one-to-clear.
1	UEI	RWC USB error interrupt When completion of a USB transaction results in an error condition, this bit along with the USBINT bit is set by the host/device controller if the TD on which the error interrupt occurred also had its interrupt on complete (IOC) bit set. Write-one-to-clear.
0	UI	RWC USB interrupt Set by the host/device controller when the cause of an interrupt is a completion of a USB transaction where the TD has an interrupt on complete (IOC) bit set. Also set by the host/device controller when a short packet (the actual number of bytes received was less than the expected number of bytes) is detected. Write-one-to-clear.

## 8.22.19 USB Interrupt Enable (USBINTR)

Offset: 0x1B000148  
 Access: Read/Write  
 Reset Value: 0

Interrupts to software are enabled with this register. An interrupt is generated when a bit is set and the corresponding interrupt is active. The “USB Status (USBSTS)” register still shows interrupt sources even if they are disabled by this register, allowing polling of interrupt events by software.

Bit	Name	Description				
31:26	RES	Reserved. Must be set to zero.				
25	TIE1	General purpose timer interrupt enable 1; when enabled:				
		<table border="1"> <thead> <tr> <th>This bit:</th> <th>USBSTS bit:</th> <th>Controller:</th> </tr> </thead> <tbody> <tr> <td>= 1</td> <td>GPTINT1 = 1</td> <td>Issues an interrupt at acknowledged by software clearing the general purpose timer interrupt 1 bit.</td> </tr> </tbody> </table>	This bit:	USBSTS bit:	Controller:	= 1
This bit:	USBSTS bit:	Controller:				
= 1	GPTINT1 = 1	Issues an interrupt at acknowledged by software clearing the general purpose timer interrupt 1 bit.				
24	TIE0	General purpose timer interrupt enable 0; when enabled:				
		<table border="1"> <thead> <tr> <th>This bit:</th> <th>USBSTS bit:</th> <th>Controller:</th> </tr> </thead> <tbody> <tr> <td>= 1</td> <td>GPTINT0 = 1</td> <td>Issues an interrupt at acknowledged by software clearing the general purpose timer interrupt 0 bit.</td> </tr> </tbody> </table>	This bit:	USBSTS bit:	Controller:	= 1
This bit:	USBSTS bit:	Controller:				
= 1	GPTINT0 = 1	Issues an interrupt at acknowledged by software clearing the general purpose timer interrupt 0 bit.				
23:20	RES	Reserved. Must be set to zero.				
19	UPIE	USB host periodic interrupt enable; when enabled:				
		<table border="1"> <thead> <tr> <th>This bit:</th> <th>USBSTS bit:</th> <th>Host controller:</th> </tr> </thead> <tbody> <tr> <td>= 1</td> <td>USBHSTPERINT = 1</td> <td>Issues an interrupt at the next interrupt threshold. The interrupt is acknowledged by software clearing the USB host periodic interrupt bit.</td> </tr> </tbody> </table>	This bit:	USBSTS bit:	Host controller:	= 1
This bit:	USBSTS bit:	Host controller:				
= 1	USBHSTPERINT = 1	Issues an interrupt at the next interrupt threshold. The interrupt is acknowledged by software clearing the USB host periodic interrupt bit.				
18	UAIE	USB host asynchronous interrupt enable; when enabled:				
		<table border="1"> <thead> <tr> <th>This bit:</th> <th>USBSTS bit:</th> <th>Host controller:</th> </tr> </thead> <tbody> <tr> <td>= 1</td> <td>USBHSTASYNCINT = 1</td> <td>Issues an interrupt at the next interrupt threshold. The interrupt is acknowledged by software clearing the USB host asynchronous interrupt bit.</td> </tr> </tbody> </table>	This bit:	USBSTS bit:	Host controller:	= 1
This bit:	USBSTS bit:	Host controller:				
= 1	USBHSTASYNCINT = 1	Issues an interrupt at the next interrupt threshold. The interrupt is acknowledged by software clearing the USB host asynchronous interrupt bit.				
17	RES	Reserved. Must be set to zero.				
16	NAKE	NAK interrupt enable. Set by software if it wants to enable the hardware interrupt for the NAK interrupt bit. When enabled:				
		<table border="1"> <thead> <tr> <th>This bit:</th> <th>USBSTS bit:</th> <th>Interrupt:</th> </tr> </thead> <tbody> <tr> <td>= 1</td> <td>NAKI = 1</td> <td>A hardware interrupt is generated.</td> </tr> </tbody> </table>	This bit:	USBSTS bit:	Interrupt:	= 1
This bit:	USBSTS bit:	Interrupt:				
= 1	NAKI = 1	A hardware interrupt is generated.				
15:11	RES	Reserved. Must be set to zero.				
10	ULPIE	ULPI enable; when enabled:				
		<table border="1"> <thead> <tr> <th>This bit:</th> <th>USBSTS bit:</th> <th>Device Controller:</th> </tr> </thead> <tbody> <tr> <td>= 1</td> <td>ULPII = 1</td> <td>Issues an interrupt acknowledged by software writing a one to the ULPI interrupt bit.</td> </tr> </tbody> </table>	This bit:	USBSTS bit:	Device Controller:	= 1
This bit:	USBSTS bit:	Device Controller:				
= 1	ULPII = 1	Issues an interrupt acknowledged by software writing a one to the ULPI interrupt bit.				
9	RES	Reserved. Must be set to zero.				

Bit	Name	Description		
8	SLE	DC suspend interrupt enable; when enabled: When this bit is 1, and the bit in the register “USB Status (USBSTS)” transitions, the device controller issues an interrupt acknowledged by software DCSuspend bit.		
		<b>This bit:</b>	<b>USBSTS bit:</b>	<b>Device Controller:</b>
		= 1	SLI = 1	Issues an interrupt acknowledged by software writing a one to the DCSuspend bit.
7	SRE	SOF received enable; when enabled:		
		<b>This bit:</b>	<b>USBSTS bit:</b>	<b>Device Controller:</b>
		= 1	SRI = 1	Issues an interrupt acknowledged by software clearing the interrupt on the SOF received bit.
6	URE	USB reset enable; when enabled:		
		<b>This bit:</b>	<b>USBSTS bit:</b>	<b>Device Controller:</b>
		= 1	URI = 1	Issues an interrupt acknowledged by software clearing USB reset received bit.
5	AAE	Interrupt on asynchronous advance enable; when enabled:		
		<b>This bit:</b>	<b>USBSTS bit:</b>	<b>Host Controller:</b>
		= 1	AAI = 1	Issues an interrupt acknowledged by software clearing the interrupt on the asynchronous advance bit.
4	SEE	System error enable; when enabled:		
		<b>This bit:</b>	<b>USBSTS bit:</b>	<b>Host/Device Controller:</b>
		= 1	SEI = 1	Issues an interrupt acknowledged by software clearing the system error bit.
3	FRE	Frame list rollover enable (host controller only); when enabled:		
		<b>This bit:</b>	<b>USBSTS bit:</b>	<b>Host Controller:</b>
		= 1	FRI = 1	Issues an interrupt acknowledged by software clearing the frame list rollover bit.
2	PCE	Port change detect enable; when enabled:		
		<b>This bit:</b>	<b>USBSTS bit:</b>	<b>Host/Device Controller:</b>
		= 1	PCE = 1	Issues an interrupt acknowledged by software clearing the port change detect bit.
1	UEE	USB error interrupt enable; when enabled:		
		<b>This bit:</b>	<b>USBSTS bit:</b>	<b>Host/Device Controller:</b>
		= 1	USBERRINT = 1	Issues an interrupt at the next interrupt threshold. The interrupt is acknowledged by software clearing the USB error interrupt bit.
0	UE	USB interrupt enable; when enabled:		
		<b>This bit:</b>	<b>USBSTS bit:</b>	<b>Host/Device Controller:</b>
		= 1	USBINT = 1	Issues an interrupt at the next interrupt threshold. The interrupt is acknowledged by software clearing the USB interrupt bit.

### 8.22.20 USB Frame Index (FRINDEX)

Offset: 0x1B00014C

Access: Read/Write (host mode)

Read-Only (device mode)

Reset Value: Undefined (free-running counter)

Used by the host controller to index the periodic frame list. The register updates every 125 ms (once each micro-frame). Bits [N:3] are used to select a particular entry in the periodic frame list during periodic schedule execution. The number of bits used for the index depends on the size of the frame list as set by system software in the frame list size field in the register “[USB Command \(USBCMD\)](#)” on [page 366](#). This register must be written as a DWord. Byte writes produce undefined results. This register cannot be written unless the Host Controller is in the halted state. A write to this register while the run/stop bit is set to a one produces undefined results. Writes to this register also affect the SOF value.

In device mode this register is read only and, the device controller updates the FRINDEX [13:3] register from the frame number indicated by the SOF marker. Whenever a SOF is received by the USB bus, FRINDEX [13:3] is checked against the SOF marker. If FRINDEX [13:3] is different from the SOF marker, FRINDEX [13:3] is set to the SOF value and FRINDEX [2:0] is set to 0 (i.e., SOF for 1 ms frame). If FRINDEX [13:3] is equal to the SOF value, FRINDEX [2:0] increments (i.e., SOF for 125- $\mu$ s micro-frame.)

Bit	Name	Description																											
31:14	RES	Reserved. Must be written to 0.																											
13:0	FRINDEX	<p>Frame index</p> <p>The value, in this register, increments at the end of each time frame (micro-frame). Bits [N:3] are used for the frame list current index, thus each location of the frame list is accessed 8 times (frames or micro-frames) before moving to the next index.</p> <p>In device mode the value is the current frame number of the last frame transmitted. It is not used as an index.</p> <p>In either mode bits 2:0 indicate the current micro-frame.</p> <p>The values of <i>N</i> are based on the value of the frame list size field in the register “<a href="#">USB Command (USBCMD)</a>” when used in host mode:</p> <table border="1"> <thead> <tr> <th>USBCMD</th> <th>[Frame Size List] Number</th> <th>Elements <i>N</i></th> </tr> </thead> <tbody> <tr> <td>000</td> <td>1024</td> <td>12</td> </tr> <tr> <td>001</td> <td>512</td> <td>11</td> </tr> <tr> <td>010</td> <td>256</td> <td>10</td> </tr> <tr> <td>011</td> <td>128</td> <td>9</td> </tr> <tr> <td>100</td> <td>64</td> <td>8</td> </tr> <tr> <td>101</td> <td>32</td> <td>7</td> </tr> <tr> <td>110</td> <td>16</td> <td>6</td> </tr> <tr> <td>111</td> <td>8</td> <td>5</td> </tr> </tbody> </table>	USBCMD	[Frame Size List] Number	Elements <i>N</i>	000	1024	12	001	512	11	010	256	10	011	128	9	100	64	8	101	32	7	110	16	6	111	8	5
USBCMD	[Frame Size List] Number	Elements <i>N</i>																											
000	1024	12																											
001	512	11																											
010	256	10																											
011	128	9																											
100	64	8																											
101	32	7																											
110	16	6																											
111	8	5																											

### 8.22.21 Frame List Base Address (*PERIODICLISTBASE*)

Offset: 0x1B000154

Access: Read/Write (writes must be DWord)

Reset Value: 0

Bit	Name	Description
31:12	PERBASE	Contains the beginning address of the periodic frame list in the system memory. HCD loads this register prior to starting the schedule execution by the host controller. The memory structure referenced by this physical memory pointer is assumed to be 4-Kb aligned. The contents of this register are combined with the frame index register (FRINDEX) to enable the host controller to step through the periodic frame list in sequence. (Host mode only)
11:0	RES	Reserved. Must be written to zero.

### 8.22.22 USB Device Address (*DEVICEADDR*)

Access: Read/Write

Reset Value: 0

Bit	Name	Description
31:25	USBADR	USB device address After any controller reset or a USB reset, the device address is set to the default address (0). The default address will match all incoming addresses. Software shall reprogram the address after receiving a SET_ADDRESS descriptor.
24	USBADRA	Device address advance (default=0) When written to 0, any writes to USBADR are instantaneous. When this bit is written to 1 at the same time or before USBADR (bits [31:25]) is written, the write to the USBADR field is staged and held in a hidden register. After an IN occurs on endpoint 0 and is ACKed, USBADR is loaded from the holding register. Hardware will automatically clear this bit if: <ul style="list-style-type: none"> <li>■ IN is ACKed to endpoint 0 (USBADR is updated from staging register)</li> <li>■ OUT/SETUP occur to endpoint 0 (USBADR is not updated)</li> <li>■ Device reset occurs (USBADR is reset to 0)</li> </ul> Note: After the status phase of the SET_ADDRESS descriptor, the DCD has 2 ms to program the USBADR field. This mechanism ensures this specification is met when the DCD can not write of the device address within 2ms from the SET_ADDRESS status phase. If the DCD writes the USBADR with USBADRA = 1 after the SET_ADDRESS data phase (before the prime of the status phase), the USBADR is programmed instantly at the correct time and meets the 2 ms USB requirement.
23:0	RES	Reserved. Must be written to zero.

### 8.22.23 Next Asynchronous List Address (*ASYNCLISTADDR*)

Offset: 0x1B000158

Access: Read/Write (writes must be DWord)

Reset Value: 0

Bit	Name	Description
31:5	ASYBASE	Link pointer low (LPL) (Host mode only) Correspond to memory address signals [31:5], respectively.
4:0	RES	Reserved. Must be written to zero.

**8.22.24 Address at Endpointlist in Memory (ENEDPOINTLIST\_ADDR)**

Access: Read/Write

Reset Value: 0

Bit	Name	Description
31:11	EPBASE	Endpoint list pointer (low) These bits correspond to memory address signals [31:11], respectively. This field references a list of up to 32 queue heads, i.e., one queue head per endpoint and direction. In device mode, this register contains the address of the top of the endpoint list in system memory. Bits [10:0] of this register cannot be modified by the system software and will always return a zero when read. The memory structure referenced by this physical memory pointer is assumed 64-byte.
10:0	RES	Reserved. Must be written to zero.

**8.22.25 TT Status and Control (TTCTRL)**

Offset: 0x1B00015C

Access: Read/Write (writes must be DWord)

Reset Value: 0

Bit	Name	Description
31	RES	Reserved. Must be written to zero.
30:24	TTHA	Internal TT hub address representation Used to match against the hub address field in queue head and SITD to determine whether the packet is routed to the internal TT for directly attached FS/LS devices. If the hub address in the queue head or SITD does not match this address, the packet is broadcast on the high speed ports destined for a downstream high speed hub with the address in the queue head or SITD. This register contains parameters needed for internal TT operations. This register is not used in the device controller operation.
23:0	RES	Reserved. Must be written to zero.

**8.22.26 Programmable Burst Size (BURSTSIZE)**

Offset: 0x1B000160

Access: Read/Write (writes must be DWord)

Reset Value: 0

Bit	Name	Description
31:16	RES	Reserved. Must be written to zero.
15:8	TXPBURST	Programmable Tx burst length Represents the maximum length of the burst in 32-bit words while moving data from system memory to the USB bus. The default is the constant VUSB_HS_TX_BURST.
7:0	RXPBURST	Programmable Rx burst length Represents the maximum length of the burst in 32-bit words while moving data from the USB bus to system memory. The default is the constant VUSB_HS_RX_BURST.

### 8.22.27 Host Tx Pre-Buffer Packet Tuning (TXFILLTUNING)

Offset: 0x1B000164

Access: Read/Write (writes must be DWord)

Reset Value: See field description

Definitions:

$T_0$	Standard packet overload
$T_1$	Time for send data payload
$T_{FF}$	Time to fetch a packet into Tx FIFO up to specified level
$T_S$	Total packet flight time (send-only) packet = $T_0 + T_1$
$T_P$	Total packet time (fetch-and-send) packet = $T_{FF} + T_0 + T_1$

Controls performance tuning associated with how the host controller posts data to the Tx latency FIFO before moving the data to the USB bus. The specific areas of performance include how much data to post into the FIFO and an estimate of how long the operation will take in the target system.

On discovery of a Tx packet (OUT/SETUP) in the data structures, the host controller checks whether  $T_P$  remains before the end of the (micro-)frame. If so, it pre-fills the Tx FIFO. If during the pre-fill operation the time remaining in the (micro-)frame is  $< T_S$ , the packet attempt ceases and the packet is tried at a later time. This condition is not an error and the host controller eventually recovers, but a note of a “back-off” occurrence is made on the scheduler health counter. When a back-off event is detected, the partial packet fetched may need to be discarded from the latency buffer to make room for periodic traffic that begins after the next SOF. Excessive back-off events can waste bandwidth and power on the system bus and thus should be minimized. Back-offs can be minimized with use of the TSCHEALTH ( $T_{FF}$ ).

Bit	Name	Reset	Description
31:22	RES	0x0	Reserved. Must be written to zero.
21:16	TXFIFOTHRES	0x2	FIFO burst threshold Controls the number of data bursts posted to the Tx latency FIFO in host mode before the packet begins on to the bus. The minimum value is 2; this value should be as low as possible to maximize USB performance. A higher value can be used in systems with unpredictable latency and/or insufficient bandwidth where the FIFO may underrun because the data transferred from the latency FIFO to USB occurs before it can be replenished from system memory.
15:13	RES	0x0	Reserved. Must be written to zero.
12:8	TXSCHEALTH	0x0	Scheduler health counter Increments when the host controller fails to fill the Tx latency FIFO to the level programmed by TXFIFOTHRES before running out of time to send the packet before the next SOF. This health counter measures how many times this occurs to aid in selecting a proper TXSCHOH. Writing to this register clears the counter and this counter maxes out at 31.
7	RES	0x0	Reserved. Must be written to zero.
6:0	TXSCHOH	0x0	Scheduler overload This register adds an additional fixed offset to the schedule time estimator described above as $T_{FF}$ . As an approximation, the value chosen for this register should limit the number of back-off events captured in the TXSCHHEALTH to less than 10 per second in a highly utilized bus. Choosing a value that is too high for this register is not desired as it can needlessly reduce USB utilization.

**8.22.28 Endpoint NAK (ENDPTNAK)**

Offset: 0x1B000178

Access: Read/Write-to-Clear

Reset Value: 0

Bit	Name	Description
31:16	EPTN	Tx endpoint NAK Each Tx endpoint has 1 bit in this field. The bit is set when the device sends a NAK handshake on a received IN token for the corresponding endpoint.
		Bit [15]   Endpoint 15
		...   ...
		Bit [1]   Endpoint 1
15:0	EPRN	Rx endpoint NAK Each Rx endpoint has 1 bit in this field. The bit is set when the device sends a NAK handshake on a received OUT or PING token for the corresponding endpoint.
		Bit [15]   Endpoint 15
		...   ...
		Bit [1]   Endpoint 1
		Bit [0]   Endpoint 0

**8.22.29 Endpoint NAK Enable (ENDPTNAKEN)**

Offset: 0x1B00017C

Access: Read/Write

Reset Value: 0

Bit	Name	Description
31:16	EPTNE	Tx endpoint NAK enable Each bit is an enable bit for the corresponding Tx endpoint NAK bit. If this bit is set and the corresponding Tx endpoint NAK bit is set, the NAK interrupt bit is set.
		Bit [15]   Endpoint 15
		...   ...
		Bit [1]   Endpoint 1
15:0	EPRNE	Rx endpoint NAK enable Each bit is an enable bit for the corresponding Rx endpoint NAK bit. If this bit is set and the corresponding Rx endpoint NAK bit is set, the NAK interrupt bit is set.
		Bit [15]   Endpoint 15
		...   ...
		Bit [1]   Endpoint 1
		Bit [0]   Endpoint 0



### 8.22.30 Port/Status Control (PORTSCO)

Offset: 0x1B000184

Access: See field description

Reset Value: 0x0

#### Host Controller

A host controller must implement one to eight port registers; the number is implemented by a instantiation of a host controller (see the register “Host Control Structural Parameters (HCSPARAMS)” on page 364). Software uses this information as an input parameter to determine how many ports need service. This register is only reset when power is initially applied or in response to a controller reset. The initial conditions of a port are:

- No device connected
- Port disabled

If the port has port power control, this state remains until software applies power to the port by setting port power to one.

#### Device Controller

A device controller must implement only port register one and does not support power control. Port control in device mode is only used for status port reset, suspend, and current connect status. It also initiates test mode or forces signaling and allows software to place the PHY into low power suspend mode and disable the PHY clock.

Bit	Name	Access	Description		
31:30	PTS	RW/ RO	Parallel transceiver select This register bit pair is used in conjunction with the configuration constant VUSB_HS_PHY_TYPE to control which parallel transceiver interface is selected. ■ If VUSB_HS_PHY_TYPE is set for 0–3 then this bit is read only ■ If VUSB_HS_PHY_TYPE is set for 4–7, this bit is read/write This field resets to:		
			00	UTMI/UTMI	If VUSB_HS_PHY_TYPE = 0, 4
			01	RES	Reserved
			10	ULPI	If VUSB_HS_PHY_TYPE = 2, 6
			11	Serial/1.1 PHY (FS Only)	If VUSB_HS_PHY_TYPE = 3, 7
29	RES	RO	Reserved		
28	PTW	RW/ RO	Parallel transceiver width Used in conjunction with the configuration constant VUSB_HS_PHY16_8 to control the data bus width of the UTMI transceiver interface. ■ If VUSB_HS_PHY16_8 is set for 0 or 1, this bit is read only ■ If VUSB_HS_PHY16_8 is 2 or 3, this bit is read/write This bit resets to 1 if VUSB_HS_PHY16_8 selects a default UTMI interface width of 16-bits else it is reset to 0. This bit has no effect if the serial interface is selected.		
			0	Writing this bit to 0 selects the 8-bit [60MHz] UTMI interface	
			1	Writing this bit to 1 selects the 16-bit [30MHz] UTMI interface	
27:26	PSPD	RO	Port speed Indicates the speed at which the port is operating. For HS mode operation in the host controller and HS/FS operation in the device controller the port routing steers data to the protocol engine. For FS and LS mode operation in the host controller, the port routing steers data to the Protocol Engine with the embedded transaction translator.		
			00	Full Speed	
			01	Low Speed	
			10	High Speed	
			11	Not used	
25	RES	RO	Reserved. Must be set to zero.		

Bit	Name	Access	Description	
24	PFSC	RW	Port force full speed connect; Default = 0 (debug mode only) Setting this bit to 1 forces the port to only connect at Full Speed and disables the chirp sequence, allowing the port to identify itself as High Speed (useful for testing FS configurations with a HS host, hub or device).	
23	PHCD	RW	PHY low power suspend: clock disable (PLPSCD)	
			0	Disables the PHY clock (Default)
			1	Enables the PHY clock
			Reading this bit indicates the status of the PHY clock. NOTE: The PHY clock cannot be disabled if it is being used as the system clock.	
			Device Mode	The PHY can be put into Low Power Suspend – Clock Disable when the device is not running (USBCMD Run/Stop = 0) or the host has signaled suspend (PORTSC SUSPEND = 1). Low power suspend clears automatically when the host has signaled resume if using a circuit similar to that in 10. Before forcing a resume from the device, the device controller driver must clear this bit.
Host Mode	The PHY can be put into Low Power Suspend – Clock Disable when the downstream device has been put into suspend mode or when no downstream device is connected. Low power suspend is completely under the control of software.			
22	WKOC	RW	Wake on over-current enable (WKOC_E) (Host mode only)	
			0	This field is zero if Port Power (PP) is zero (Default)
			1	Sensitizes the port to over-current conditions as wake-up events
21	WKDS	RW	Wake on Disconnect Enable (WKDSCNNT_E) (Host mode only)	
			0	This field is zero if Port Power (PP) is zero or in device mode (Default)
			1	Sensitizes the port to device disconnects as wake-up events
20	WKCN	RW	Wake on connect enable (WKCNNT_E) (Host mode only)	
			0	This field is zero if Port Power (PP) is zero or in device mode (Default)
			1	Sensitizes the port to device connects as wake-up events
19:16	PTC[3:0]	RW	Port test control	
			The FORCE_ENABLE_FS and FORCE_ENABLE_LS are extensions to the test mode support. Writing the PTC field to any of the FORCE_ENABLE_{HS/FS/LS} values forces the port into the connected and enabled state at the selected speed. Writing the PTC field back to TEST_MODE_DISABLE will allow the port state machines to progress normally from that point.	
			Note: Low speed operations are not supported as a peripheral device.	
			Any other value than zero indicates that the port is operating in test mode.	
			Value	Specific Test
			0000	TEST_MODE_DISABLE (Default)
			0001	J_STATE
			0010	K_STATE
			0011	SE0 (host) / NAK (device)
			0100	Packet
			0101	FORCE_ENABLE_HS
			0110	FORCE_ENABLE_FS
			0111	FORCE_ENABLE_LS
1111: 1000	Reserved			

Bit	Name	Access	Description	
15:14	PIC	RW	Port indicator control Writes to this field have no effect if the P_INDICATOR bit in the HCSPARAMS register is a zero. If P_INDICATOR bit is a one, then the bit is:	
			<b>Value</b>	<b>Specific Test</b>
			00	Port indicators off (Default)
			01	Amber
			10	Green
11	Undefined			
13	PO	RO	Port owner; default = 0 Port owner hand-off is not implemented in this design, therefore this bit always reads back as 0. System software uses this field to release ownership of the port to a selected host controller (in the event that the attached device is not a high-speed device).	
12	RES	RW	Reserved	
11:10	LS	RO	Line status; bit encoding is:	
			<b>Setting</b>	<b>Meaning</b>
			00	SE0
			01	J_STATE
			10	K_STATE
			11	Undefined
			These bits reflect the current logical levels of the D+ (bit [11]) and D- (bit [10]) signal lines.	
Device Mode	In device mode, the use of line-state by the device controller driver is not necessary.			
Host Mode	In host mode, the use of line-state by the host controller driver is not necessary (unlike EHCI), because the port controller state machine and the port routing manage the connection of LS and FS.			
9	HSP	RO	High-speed port; see also bits [27:26], PSPD	
			0	Connected host/device is not in a high-speed mode (Default)
			1	The host/device connected to the port is in high-speed mode
8	PR	RW/ RO	Port reset <ul style="list-style-type: none"> <li>■ This field is zero if Port power (PP) is zero</li> <li>■ When software writes a one to this bit, the bus-reset sequence as defined in USB2.0 is started. This bit automatically changes to zero after reset.</li> </ul>	
			<b>Device Mode: Read-Only</b> Device reset from the USB bus is also indicated in the register “ <a href="#">USB Status (USBSTS)</a> ” on <a href="#">page 368</a> .	
			<b>Host Mode: Read/Write</b>	
			0	Port is not in reset (Default)
			1	Port is in reset

Bit	Name	Access	Description		
7	SUSP	RW/ RO	Suspend Port Enabled Bit and Suspend bit of this register define the port states:		
			<b>Bits</b>	<b>Port State</b>	
			0x	Disable	
			10	Enable	
			11	Suspend	
			This field is zero if Port Power (PP) is zero in host mode.		
			Device Mode	Read-Only ■ 0=Port not in suspend state (Default) ■ 1=Port in suspend state	
Host Mode	Read/Write ■ 0=Port not in suspend state (Default) ■ 1=Port in suspend state In suspend state, downstream propagation of data is blocked on this port, except for port reset. The blocking occurs at the end of the current transaction if a transaction was in progress when this bit was written to 1. In the suspend state, the port is sensitive to resume detection. Note that the bit status does not change until the port is suspended and that there may be a delay in suspending a port if there is a transaction currently in progress on the USB. The host controller unconditionally sets this bit to zero when software sets the force port resume bit to zero. The host controller ignores a write of zero to this bit. If host software sets this bit to a one when the port is not enabled (i.e. Port enabled bit is a zero) the results are undefined.				
6	FPR	RW	Force port resume		
			0	No resume (K-state) detected/driven on port (Default)	
			1	Resume detected/driven on port	
			This field is zero if Port Power (PP) is zero in host mode.		
			Device Mode	After the device has been in suspend state for 5 ms or more, software must set this bit to 1 to drive resume signaling before clearing. The device controller sets this bit to one if a J-to-K transition is detected while the port is in the suspend state. The bit will be cleared when the device returns to normal operation. Also, when this bit transitions to a one because a J-to-K transition detected, the port change detect bit in the register "USB Status (USBSTS)" is also set to one.	
Host Mode	Software sets this bit to one to drive resume signaling. The host controller sets this bit to one if a J-to-K transition is detected while the port is in the suspend state. When this bit transitions to a one because a J-to-K transition is detected, the port change detect bit in the register "USB Status (USBSTS)" is also set to one. This bit automatically changes to zero after the resume sequence is complete. This behavior is different from EHCI where the host controller driver is required to set this bit to a zero after the resume duration is timed in the driver.				
5	OCC	RWC	Over-current change. For device-only implementations this bit shall always be 0.		
			0	(Default)	
			1	This bit is set to 1 when there is a change to over-current active. Software clears this bit by writing a one to this bit position.	
4	OCA	RO	Over-current active. For device-only implementations this bit shall always be 0.		
			0	This port does not have an over-current condition. This bit automatically transitions from one to zero when the over-current condition is removed. (Default)	
			1	This port currently has an over-current condition	

Bit	Name	Access	Description	
3	PEC	RWC	Port enable/disable change	
			0	No change (Default)
			1	Port enabled/disabled status has changed
			This field is zero if Port Power (PP) is zero.	
			Device Mode	The device port is always enabled (this bit will be zero)
Host Mode	For the root hub, this bit gets set to a one only when a port is disabled due to disconnect on the port or due to the appropriate conditions existing at the EOF2 point (See Chapter 11 of the USB Specification). Software clears this by writing a one to it.			
2	PE	RW	Port enabled/disabled	
			0	Disabled (Default)
			1	Enabled
			This field is zero if Port Power (PP) is zero in host mode.	
			Device Mode	The device port is always enabled (this bit will be one)
Host Mode	Ports can only be enabled by the host controller as a part of reset and enable. Software cannot enable a port by writing a one to this field. Ports can be disabled by either a fault condition (disconnect event or other fault condition) or by the host software. Note that the bit status does not change until the port state actually changes. There may be a delay in disabling or enabling a port due to other host controller and bus events. When the port is disabled, (0b) downstream propagation of data is blocked except for reset.			
1	CSC	RWC	Connect status change	
			0	No change (Default)
			1	Change in current connect status. Software clears this bit by writing a 1 to it.
			This field is zero if Port Power (PP) is zero in host mode.	
			Device Mode	This bit is undefined in device controller mode.
Host Mode	Indicates a change has occurred in the port's Current Connect Status. The host/device controller sets this bit for all changes to the port device connect status, even if system software has not cleared an existing connect status change. For example, the insertion status changes twice before system software has cleared the changed condition, hub hardware will be 'setting' an already-set bit (i.e., the bit will remain set).			
0	CCS	RO	Current connect status	
			Device Mode	<ul style="list-style-type: none"> <li>■ 0 = Not attached (Default) A zero indicates that the device did not attach successfully or was forcibly disconnected by the software writing a zero to the Run bit in the register "<a href="#">USB Command (USBCMD)</a>" on <a href="#">page 366</a>. It does not state the device being disconnected or suspended.</li> <li>■ 1 = Attached A 1 indicates that the device successfully attached and is operating in either high speed or full speed as indicated by the high speed port bit in this register.</li> </ul>
			Host Mode	This value reflects the current state of the port, and may not correspond directly to the event that caused the connect status change bit to be set. <ul style="list-style-type: none"> <li>■ 0 = No device is present. (Default)</li> <li>■ 1 = Device is present on port.</li> </ul> This field is zero if Port Power (PP) is zero in host mode.

## 8.22.31 USB Mode (USBMODE)

Offset: 0x1B0001A8

Access: Read/Write

Reset Value: 0

Bit	Name	Description
31:5	RES	Reserved. Must be written to zero.
4	SDIS	Stream disable mode ■ 0 = Inactive (Default) ■ 1 = Active
		Device Mode Setting to a 1 disables double priming on both Rx and Tx for low bandwidth systems. This mode, when enabled, ensures that the Rx and Tx buffers are sufficient to contain an entire packet, so the usual double buffering scheme is disabled to prevent overruns/underruns in bandwidth limited systems.
		Host Mode Setting to a 1 ensures that overruns/underruns of the latency FIFO are eliminated for low bandwidth systems where the Rx and Tx buffers are sufficient to contain the entire packet. Enabling stream disable also has the effect of ensuring the Tx latency is filled to capacity before the packet is launched onto the USB.
3	SLOM	Setup lockout mode In device mode, this bit controls behavior of the setup lock mechanism.
		0 Setup lockouts on (Default)
		1 Setup lockouts off
2	ES	Endian select Can change the byte ordering of transfer buffers to match the host microprocessor bus architecture. The bit fields in the microprocessor interface and the DMA data structures (including the setup buffer within the device QH) are unaffected by the value of this bit, because they are based upon 32-bit words.
		<b>Bit</b> <b>Meaning</b>
		0 Little Endian (Default) First byte referenced in least significant byte of 32-bit word
		1 Big Endian First byte referenced in most significant byte of 32-bit word
1:0	CM	Controller mode Controller mode is defaulted to the proper mode for host only and device only implementations. For those designs that contain both host and device capability, the controller will default to an idle state and will need to be initialized to the desired operating mode after reset. For combination host/device controllers, this register can only be written once after reset. If it is necessary to switch modes, software must reset the controller by writing to the RESET bit in the register “USB Command (USBCMD)” on page 366 before reprogramming this register.
		<b>Bit</b> <b>Meaning</b>
		00 Idle (Default for combination host/device)
		01 Reserved
		10 Device Controller (Default for device-only controller)
		11 Host Controller (Default for host-only controller)

### 8.22.32 Endpoint Setup Status (ENDPTSETUPSTAT)

Offset: 0x1B0001AC

Access: Read/Write-One-to-Clear

Reset Value: 0x00000000

Bit	Name	Description
31:16	RES	Reserved
15:0	ENDPTSETUPSTAT	Setup endpoint status (Device mode only) For every setup transaction received, a corresponding bit in this register is set to 1. Software must clear or acknowledge the setup transfer by writing a one to a respective bit after it has read the setup data from Queue head. The response to a setup packet as in the order of operations and total response time is crucial to limit bus time outs while the setup lock our mechanism is engaged.

### 8.22.33 Endpoint Initialization (ENDPTPRIME)

Offset: 0x1B0001B0

Access: Read/Write-One-to-Clear

Reset Value: 0x00000000

Bit	Name	Description
31:16	PETB	Prime endpoint Tx buffer (Device mode only) For each endpoint a corresponding bit is used to request that a buffer prepared for a Tx operation in order to respond to a USB IN/INTERRUPT transaction. Software should write a 1 to the corresponding bit when posting a new transfer descriptor to an endpoint. Hardware automatically uses this bit to begin parsing for a new transfer descriptor from the queue head and prepare a Tx buffer. Hardware clears this bit when the associated endpoint(s) are successfully primed.
		Bit [15]   Endpoint 15
		...
		Bit [1]   Endpoint 1
		Bit [0]   Endpoint 0
15:0	PERB	Prime endpoint Rx buffer For each endpoint a corresponding bit is used to request that a buffer prepared for a Rx operation in order to respond to a USB IN/INTERRUPT transaction. Software should write a 1 to the corresponding bit when posting a new transfer descriptor to an endpoint. Hardware automatically uses this bit to begin parsing for a new transfer descriptor from the queue head and prepare a Rx buffer. Hardware clears this bit when the associated endpoint(s) are successfully primed.
		Bit [15]   Endpoint 15
		...
		Bit [1]   Endpoint 1
		Bit [0]   Endpoint 0

**8.22.34 Endpoint De-Initialization (ENDPTFLUSH)**

Offset: 0x1B0001B4

This register is for device mode only.

Access: Writing a 1 to a bit in this register causes the associated endpoint(s) to clear any primed buffers.

Reset Value: 0

Bit	Name	Description
31:16	FETB	Flush endpoint Tx buffer If a packet is in progress for one of the associated endpoints, that transfer continues until completion. Hardware clears this register after the endpoint flush operation.
		Bit [15]   Endpoint 15
		...
		Bit [1]   Endpoint 1
		Bit [0]   Endpoint 0
15:0	FERB	Flush endpoint Rx buffer If a packet is in progress for one of the associated endpoints, that transfer continues until completion. Hardware clears this register after the endpoint flush operation.
		Bit [15]   Endpoint 15
		...
		Bit [1]   Endpoint 1
		Bit [0]   Endpoint 0

**8.22.35 Endpoint Status (ENDPTSTATUS)**

Offset: 0x1B0001B8

This register is for device mode only.

Access: Read-Only

Reset Value: 0

Bit	Name	Description
31:16	ETBR	Endpoint Tx buffer ready One bit for each endpoint indicates status of the respective endpoint buffer. This bit is set to a 1 by the hardware as a response to a command from a corresponding bit in the register “ <a href="#">Endpoint Initialization (ENDPTPRIME)</a> ” on <a href="#">page 383</a> . A delay always occurs between setting a bit in the ENDPTPRIME register and endpoint indicating ready. This delay time varies based upon the current USB traffic and the number of bits set in the ENDPTPRIME register. Buffer ready is cleared by USB reset, by the USB DMA system, or through the ENDPTFLUSH register.
		Bit [15]   Endpoint 15
		...
		Bit [1]   Endpoint 1
		Bit [0]   Endpoint 0
15:0	ERBR	Endpoint Rx buffer ready One bit for each endpoint indicates status of the respective endpoint buffer. This bit is set to a 1 by the hardware as a response to a command from a corresponding bit in the register “ <a href="#">Endpoint Initialization (ENDPTPRIME)</a> ”. A delay always occurs between setting a bit in the ENDPTPRIME register and endpoint indicating ready. This delay time varies based upon the current USB traffic and the number of bits set in the ENDPTPRIME register. Buffer ready is cleared by USB reset, by the USB DMA system, or through the ENDPTFLUSH register.
		Bit [15]   Endpoint 15
		...
		Bit [1]   Endpoint 1
		Bit [0]   Endpoint 0



### 8.22.36 Endpoint Complete (ENDPTCOMPLETE)

Offset: 0x1B0001BC  
 Access: Read/Write-One-to-Clear  
 Reset Value: 0

This register is for device mode only.

Bit	Name	Description
31:16	ETCE	Endpoint Tx complete event Indicates a Tx event (IN/INTERRUPT) occurred and software should read the corresponding endpoint queue to determine the endpoint status. If the corresponding IOC bit is set in the transfer descriptor, this bit is set simultaneously with the register USBINTR.
		Bit [15]   Endpoint 15
		...   ...
		Bit [1]   Endpoint 1
		Bit [0]   Endpoint 0
15:0	ERCE	Endpoint Rx complete event Indicates a Rx event (IN/INTERRUPT) occurred and software should read the corresponding endpoint queue to determine the endpoint status. If the corresponding IOC bit is set in the transfer descriptor, this bit is set simultaneously with the register USBINTR.
		Bit [15]   Endpoint 15
		...   ...
		Bit [1]   Endpoint 1
		Bit [0]   Endpoint 0

### 8.22.37 Endpoint Control 0 (ENDPTCTRL0)

Offset: 0x1B0001C0  
 Access: Read/Write  
 Reset Value: 0x0080008

Every device implements Endpoint0 as a control endpoint.

Bit	Name	Description
31:24	RES	Reserved. Must be written to zero.
23	TXE	Tx endpoint enable. Endpoint 0 is always enabled; this bit is always 1.
22:20	RES	Reserved. Must be written to zero.
19:18	TXT	Tx endpoint type (0 = Control). Endpoint 0 is always 0; this bit is always 0.
17	RES	Reserved. Must be written to zero.
16	TXS	Tx endpoint stall
		0   Endpoint OK (Default)
		1   Endpoint stalled
15:8	RES	Reserved. Must be written to zero.
7	RXE	Rx endpoint enable. Endpoint 0 is always enabled; this bit is always 1.
6:4	RES	Reserved. Must be written to zero.
3:2	RXT	Rx endpoint type (0 = Control). Endpoint 0 is fixed as a control endpoint; this bit is always 0
1	RES	Reserved. Must be written to zero.
0	RXS	Rx endpoint stall
		0   Endpoint OK (Default)
		1   Endpoint stalled

## 8.22.38 Endpoint Control 1 (ENDPTCTRL1)

Offset: 0x1B0001C4 (Endpoint Control 1)  
 0x1B0001C8 (Endpoint Control 2)  
 0x1B0001CC (Endpoint Control 3)  
 0x1B0001D0 (Endpoint Control 4)  
 0x1B0001D4 (Endpoint Control 5)

Access: Read/Write  
 Reset Value: 0

Bit	Name	Description
31:24	RES	Reserved. Must be written to zero.
23	TXE	Tx endpoint enable An Endpoint should be enabled only after it has been configured
22	TXR	Tx data toggle reset When a configuration event is received for this Endpoint, software must write a 1 to this bit in order to synchronize the data PIDs between the host and device.
21	TXI	Tx data toggle inhibit
		0   PID sequencing enabled (Default)
		1   PID sequencing disabled
20	RES	Reserved. Must be written to zero.
19:18	TXT	Tx endpoint type
		00   Control
		01   Isochronous
		10   Bulk
17	TXD	Tx endpoint data source; should always be written to zero
		11   Interrupt
16	TXS	Tx endpoint stall
		0   Endpoint OK (Default)
		1   Endpoint stalled
15:8	RES	Reserved. Must be written to zero.
7	RXE	Rx endpoint enable An Endpoint should be enabled only after it has been configured
6	RXR	Rx data toggle reset When a configuration event is received for this Endpoint, software must write a 1 to this bit in order to synchronize the data PIDs between the host and device.
5	RXI	Rx data toggle inhibit
		0   PID sequencing enabled (Default)
		1   PID sequencing disabled
4:3	RES	Reserved. Must be written to zero.
2	RXT	Rx endpoint type
		00   Control
		01   Isochronous
		10   Bulk
1	RXD	Rx endpoint data source; should always be written to zero
		11   Interrupt
0	RXS	Rx endpoint stall
		0   Endpoint OK (Default)
		1   Endpoint stalled

## 8.23 NAND Flash Registers

Table 8-26 summarizes the NAND flash registers.

**Table 8-26. NAND Flash Register Summary**

Offset	Register	Description	Page
0x1B000200	COMMAND	Controller Commands	page 388
0x1B000204	CONTROL	Main Configuration	page 389
0x1B000208	STATUS	Controller Status	page 391
0x1B00020C	INT_MASK	Interrupt Mask	page 392
0x1B000210	INT_STATUS	Interrupt Status	page 392
0x1B000214	ECC_CTRL	Configuration Parameters for the ECC Module	page 393
0x1B000218	ECC_OFFSET	Stores the ECC Offset Value	page 393
0x1B00021C	ADDR0_0	Most Significant Part of the Address Register 0	page 394
0x1B000224	ADDR0_1		
0x1B000220	ADDR1_0	Most Significant Part of the Address Register 1	page 394
0x1B000228	ADDR1_1		
0x1B000230	SPARE_SIZE	Stores the Value of the NAND Flash Spare Area Size	page 395
0x1B000238	PROTECT	Hardware Protect Against the Write/Erase Process Control	page 395
0x1B000240	LOOKUP_EN	Enables Look-Up Register During NAND Flash Memory Address	page 396
0x1B000244	LOOKUP0	Lookup Table 0	page 396
0x1B000248	LOOKUP1	Lookup Table 1	
0x1B00024C	LOOKUP2	Lookup Table 2	
0x1B000250	LOOKUP3	Lookup Table 3	
0x1B000254	LOOKUP4	Lookup Table 4	
0x1B000258	LOOKUP5	Lookup Table 5	
0x1B00025C	LOOKUP6	Lookup Table 6	
0x1B000260	LOOKUP7	Lookup Table 7	
0x1B000264	DMA_ADDR	DMA Module Base Address	page 397
0x1B000268	DMA_CNT	DMA Module Counters Initial Value	page 397
0x1B00026C	DMA_CTRL	DMA Module Control	page 397
0x1B000280	MEM_CTRL	Memory Device Control	page 398
0x1B000284	DATA_SIZE	Custom Page Size Value	page 398
0x1B000288	READ_STATUS	Read Status Command Output Value	page 398
0x1B00028C	TIME_SEQ	Command Sequence Timings Configuration	page 399
0x1B000290	TIMING_ASYN	Timing Configuration 0	page 399
0x1B000294	TIMING_SYN	Timing Configuration 1	page 399
0x1B000298	FIFO_DATA	FIFO Module Interface	page 400
0x1B00029C	TIME_MODE	DQS Signal Delay Effect	page 400
0x1B0002A0	DMA_ADDR_OFFSET	DMA Module Address Offset	page 400
0x1B0002B0	FIFO_INIT	Control for the FIFO Module	page 401
0x1B0002B4	GENERIC_SEQ_CTRL	Stores Configuration for the Two Generic Sequences	page 401

**8.23.1 Controller Commands (COMMAND)**

Address Offset: 0x1B000200

The write of the command sequence code to this register triggers the programmed command sequence execution as soon as possible. If execution cannot be done immediately then the transfer to this register is prolonged by the series of the WAIT responses best suited for the selected system bus. For the AHB it is the series of the RETRY responses. Each command sequence can trigger the interrupt when it is completed.

Bit	Bit Name	Description
31:24	CMD_2	Code of the third command in a sequence
23:16	CMD_1	Code of the second command in a sequence
15:8	CMD_0	Code of the first command in a sequence
7	ADDR_SEL	Address register select flag
		0   Select address register 0
		1   Select address register 1
6	INPUT_SEL	Input module select flag
		0   Select the SIU module as input
		1   Select the DMA module as input
5:0	CMD_SEQ	Command code

### 8.23.2 Main Configuration (CONTROL)

Address Offset: 0x1B000204

This register stores the configuration parameters that are common to all controller modules.

Bit	Bit Name	Description
31:22	RES	Reserved
21	SMALL_BLOCK_EN	Enable small block mode. In this mode controller sends only the single byte as the column address instead of the two bytes as it is done for the big block NAND flash devices.
		0   Big block mode enabled
		1   Small block mode enabled
20:18	ADDR_CYCLE1	Address cycles: number of address bytes sent to the NAND flash device.
		000   0 address cycles
		001   1 address cycle
		010   2 address cycles
		011   3 address cycles
		100   4 address cycles
		101   5 address cycles
17	ADDR1_AUTO_INCR	Address auto increment for address register 0
		0   Auto-increment disabled
		1   Auto-increment enabled
16	ADDR0_AUTO_INCR	Address auto increment for address register 1
15	WORK_MODE	Controller work mode
		0   Asynchronous mode
		1   Source synchronous mode
14	PROT_EN	Protect mechanism enable
		0   Protect disable
		1   Protect enable
13	LOOKUP_EN	Lookup enable
12	IO_WIDTH	NAND flash input/output width Must be additionally set when the controller is in synchronous mode
		0   8 bits
		1   16 bits
11	CUSTOM_SIZE_EN	Custom page size enable flag
		0   Transfer full data page
		1   Transfer custom data block

Bit	Bit Name	Description	
10:8	PAGE_SIZE	000	256 bytes
		001	512 bytes
		010	1024 bytes
		011	2048 bytes
		100	4096 bytes
		101	8192 bytes
		110	8192 bytes
		111	0 bytes
7:6	BLOCK_SIZE	00	32 pages per block
		01	64 pages per block
		10	128 pages per block
		11	256 pages per block
5	ECC_EN	Hardware ECC support enable	
		0	ECC disabled
		1	ECC enabled
4	INT_EN	Global interrupt enable	
		0	Interrupt disabled
		1	Interrupt enabled
3	SPARE_EN	Spare area enable signal	
		0	Spare area enabled for the given command sequence
		1	Spare area disabled for the given command sequence
2:0	ADDR_CYCLE0	Address cycles: Number of address bytes sent to NAND flash	
		000	0 address cycles
		001	1 address cycle
		010	2 address cycles
		011	3 address cycles
		100	4 address cycles
		101	5 address cycles

### 8.23.3 Controller Status (STATUS)

Address Offset: 0x1B000208

This register stores the NAND flash controller and connected devices status flags. Those flags can be used by the host controller to implement interleaved devices access.

Bit	Bit Name	Description
31:10	RES	Reserved
9	SYN_STAT	Mode busy synchronous bit Set after the controller change the NAND flash device work mode from the asynchronous to the source synchronous mode.
		0   Controller ready
		1   Controller busy
8	CTRL_STAT	Main controller status bit Set after the controller starts to execute the requested command for the selected NAND flash device and is prolonged to the moment when the command sequence part to the moment when the NAND flash device goes to the busy state is finished. As long as this flag is set controller did not accept new command.
		0   Controller ready
		1   Controller busy
7	MEM7_ST	Device 7 status flag Corresponds to the NAND flash device with the same index value. The flag gives information about the NAND flash device state.
		0   Device ready
		1   Device busy
6	MEM6_ST	Device 6 status flag
5	MEM5_ST	Device 5 status flag
4	MEM4_ST	Device 4 status flag
3	MEM3_ST	Device 3 status flag
2	MEM2_ST	Device 2 status flag
1	MEM1_ST	Device 1 status flag
0	MEM0_ST	Device 0 status flag

### 8.23.4 Interrupt Mask (INT\_MASK)

Address Offset: 0x1B00020C

This register allows masking the selected interrupts source in the NAND flash controller. The masked interrupts still sets appropriate bits in the status register, but those changes do not trigger the interrupt.

Bit	Bit Name	Description	
31:13	RES	Reserved	
12	FIFO_ERROR_EN	FIFO error	
		0	Interrupt disabled
		1	Interrupt enabled
11	MEM7_RDY_INT_EN	Memory device 7 is ready for the new command	
		0	Interrupt disabled
		1	Interrupt enabled
10	MEM6_RDY_INT_EN	Memory device 6 is ready for the new command	
9	MEM5_RDY_INT_EN	Memory device 5 is ready for the new command	
8	MEM4_RDY_INT_EN	Memory device 4 is ready for the new command	
7	MEM3_RDY_INT_EN	Memory device 3 is ready for the new command	
6	MEM2_RDY_INT_EN	Memory device 2 is ready for the new command	
5	MEM1_RDY_INT_EN	Memory device 1 is ready for the new command	
4	MEM0_RDY_INT_EN	Memory device 0 is ready for the new command	
3	ECC_TRSH_ERR_EN	The ECC module detected that the error level sat by the ECC_CTRL.ERR_THRESHOLD was exceeded	
2	ECC_FATAL_ERR_EN	The ECC module detected uncorrectable errors number during read operation	
1	CMD_END_INT_EN	Command sequence ended	
0	PROT_INT_EN	Erase/write protected area attempt interrupt enable	

### 8.23.5 Interrupt Status (INT\_STATUS)

Address Offset: 0x1B000210

This register stores the NAND flash controller interrupt flags. If a bit is set to 0, the corresponding interrupt condition is not met. If set to 1, that interrupt condition is met.

Bit	Bit Name	Description
31:13	RES	Reserved
12	FIFO_ERROR_FL	FIFO error
11	MEM7_RDY_INT_FL	Memory device 7 is ready for the new command
10	MEM6_RDY_INT_FL	Memory device 6 is ready for the new command
9	MEM5_RDY_INT_FL	Memory device 5 is ready for the new command
8	MEM4_RDY_INT_FL	Memory device 4 is ready for the new command
7	MEM3_RDY_INT_FL	Memory device 3 is ready for the new command
6	MEM2_RDY_INT_FL	Memory device 2 is ready for the new command
5	MEM1_RDY_INT_FL	Memory device 1 is ready for the new command
4	MEM0_RDY_INT_FL	Memory device 0 is ready for the new command
3	ECC_TRSH_ERR_FL	The ECC module detected that the error level sat by the ECC_CTRL.ERR_THRESHOLD was exceeded
2	ECC_FATAL_ERR_FL	The ECC module detected uncorrectable errors number during read operation
1	CMD_FLD_INT_FL	Command sequence ended
0	PROT_INT_FL	Erase/write protected area attempt interrupt enable



### 8.23.6 Configuration Parameters for the ECC Module (ECC\_CTRL)

Address Offset: 0x1B000214

This register stores all configuration parameters required by the ECC module, and stores the ECC module status information. The status fields of the register are ignored during the write process.

Bit	Bit Name	Description	
31:13	RES	Reserved	
12:8	ERR_THRESHOLD	Acceptable errors level Contains the number of errors acceptable for the host system. This field must be initialized by the host system.	
7:5	ECC_CAP	ECC module correction ability	
		000	2
		001	4
		010	6
		011	8
		100	10
		101	12
		110	14
111	16		
4:3	RES	Reserved	
2	ERR_OVER	Acceptable errors level overflow Set when the number of errors is greater than the value ERR_THRESHOLD (bits [12:8]).	
1	ERR_UNCORRECT	Uncorrectable error flag Set when during the read operation the uncorrectable errors occur.	
0	ERR_CORRECT	Correctable error flag Set when correctable errors occur during the read operation.	

### 8.23.7 ECC Offset Value (ECC\_OFFSET)

Address Offset: 0x1B000218

This register stores the offset value from beginning of the page to the place where correction words will be stored. The register value is valid only if ERR\_WORD\_POS field of the [“Configuration Parameters for the ECC Module \(ECC\\_CTRL\)”](#) register chose the correction words location in the spare area.

Bit	Bit Name	Description
31:16	RES	Reserved
15:0	ECC_OFFSET	Correction words block offset

### 8.23.8 Most Significant Part of the Address Register 0/1 (ADDR0\_0, ADDR0\_1, ADDR1\_0, ADDR1\_1)

Address Offset: ADDR0\_0: 0x1B00021C  
 ADDR0\_1: 0x1B000224  
 ADDR1\_0: 0x1B000220  
 ADDR1\_1: 0x1B000228

The ADDR<sub>x</sub>\_0 and ADDR<sub>x</sub>\_1 registers store the packaged version of the address that will be used by the next command sequence during access to the NAND flash device.

Bit	Bit Name	Description
<b>ADDR<sub>x</sub>_0</b>		
31:24	ADDR <sub>x</sub> _0_3	Fourth address byte; A31–A24 address bits
23:16	ADDR <sub>x</sub> _0_2	Third address byte; A23–A16 address bits
15:8	ADDR <sub>x</sub> _0_1	Second address byte; A15–A8 address bits
7:0	ADDR <sub>x</sub> _0_0	First address byte; A7–A0 address bits
<b>ADDR<sub>x</sub>_1</b>		
31:8	ADDR <sub>x</sub> _1_1	Reserved
7:0	ADDR <sub>x</sub> _1_0	Complete block address to 40 bits

No register defines the total memory size of the NAND flash memory chip, so the controller is not able to determine which address bits in the ADDR<sub>x</sub> registers are important and which have been set to zero. Therefore software must take care about the values written to the ADDR<sub>x</sub> registers. Incorrect values of unused address bits can cause errors in memory access.

A relationship between the ADDR<sub>x</sub> registers and the memory device address width is configured in the ADDR\_CYCLE field of the

“Main Configuration (CONTROL)” register. This field determines a number of address bytes that are used when addressing a NAND flash device. If the ADDR\_CYCLE field is cleared (the four-address cycle mode is used), the last byte (fifth cycle) is omitted.

The address written to the address register must be aligned in the way that is required by the NAND flash device. Unused bits must be padded with zeros.

Table 8-27. Relationship of Address Register and Address Bytes

Address Cycle	I/O 0	I/O 1	I/O 2	I/O 3	I/O 4	I/O 5	I/O 6	I/O 7
First Cycle	A0	A1	A2	A3	A4	A5	A6	A7
Second Cycle	A8	A9	A10	A11	A12	A13	A14	A15
Third Cycle	A16	A17	A18	A19	A20	A21	A22	A23
Fourth Cycle	A24	A25	A26	A27	A28	A29	A30	A31
Fifth Cycle	A32	A33	A34	A35	A36	A37	A38	A39

### 8.23.9 NAND Flash Spare Area Size (SPARE\_SIZE)

Address Offset: 0x1B000230

This register stores the actual value of the NAND flash device spare area size. The size value is aligned to the NAND flash word size.

Bit	Bit Name	Description
31:9	RES	Reserved
8:0	SPARE_CNT	Spare area size value

### 8.23.10 Hardware Protect Against the Write/Erase Process Control (PROTECT)

Address Offset: 0x1B000238

The NAND flash controller allows defining the area that will be protected against any modifications. The protected area is a space that cannot be erased or overwritten. An attempt to erase/overwrite this space causes an error. Because write and erase process have constraints (only page can be written and only block can be erased), the protected area can be defined with block-size precision.

The lower [15:0] bits of this register define the beginning address of the protected area and are related to the NAND Flash memory block address bits of ADDR<sub>x</sub>\_0/ADDR<sub>x</sub>\_1 registers. The higher bits [31:16] of this register define the ending address of the protected area and are related to the NAND Flash memory block address bits of ADDR<sub>x</sub> registers. Independent

of the memory type, the block address always has 16 bits. For 16-bit devices the column address width has one byte less, contrary to the 8-bit devices, so to keep constant block address width the most significant address bit is ignored for these devices.

Figure 8-1 shows how these register fields are used to define the protected area.

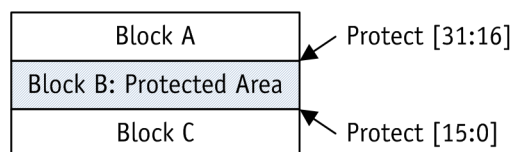


Figure 8-1. Write/Erase Protected Area Definition

Bit	Bit Name	Description
31:16	PROT_UP	Protected area upper limit
15:0	PROT_DOWN	Protected area lower limit

**8.23.11 Enables Look-Up Register During NAND Flash Memory Address (LOOKUP\_EN)**

Address Offset: 0x1B000240

This register enables LOOKUP<sub>x</sub> registers during the remapping process. Each LOOKUP<sub>x</sub> register has an appropriate bit in this register. The asserted bit means that the contents of the associated LOOKUP<sub>x</sub> register is valid. Each LOOKUP<sub>x</sub> register has two fields the first one stores the address of the block that must be remapped, the second one stores the address of block that will replace the one from the first field. After the controllers LOOKUP initialization the bits corresponding to the initialized registers must be set in this register.

Bit	Bit Name	Description
31:8	RES	Reserved
7:0	LUT_EN	Enable bits Every bit of this field corresponds to the LOOKUP register. If the bit is asserted, the given LOOKUP register is used during the remapping process.

**8.23.12 Lookup Table [7:0] (LOOKUP[7:0])**

Address Offset:

LOOKUP0: 0x1B000244

LOOKUP1: 0x1B000248

LOOKUP2: 0x1B00024C

LOOKUP3: 0x1B000250

LOOKUP4: 0x1B000254

LOOKUP5: 0x1B000258

LOOKUP6: 0x1B00025C

LOOKUP7: 0x1B000260

The LOOKUP<sub>x</sub> registers can be treated as rows in the bad blocks remapping table. The remapping table has two columns: the first column stores an address of the block that will be replaced; the second column stores an address of the block that will be replacing the block from the first column.

By default, the controller has eight LOOKUP registers. Each register can be separately enabled or disabled, or can also be completely removed to save chip area. The register amount can be easily extended to meet application requirements.

Bit	Bit Name	Description
31:16	DST_ADDR	Destination address Contains an address of the block that replaces the bad one in the remapping process.
15:0	SRC_ADDR	Source address The field contains an address of the block that will be replaced in the remapping process.

**8.23.13 DMA Module Base Address (DMA\_ADDR)**

Address Offset: 0x1B000264

Contains the address of the first data in the data block written to the NAND flash device. The DMA module can read data from the memory location set by this register and write it to the FIFO module, or read data from the FIFO module and write it to the memory starting from the location indicated.

Bit	Bit Name	Description
31:24	DMA_ADDR3	Fourth DMA address byte; A31–A24 address bits
23:16	DMA_ADDR2	Third DMA address byte; A23–A16 address bits
15:8	DMA_ADDR1	Second DMA address byte; A15–A8 address bits
7:0	DMA_ADDR0	First DMA address byte; A7–A0 address bits

**8.23.14 DMA Module Counters Initial Value (DMA\_CNT)**

Address Offset: 0x1B000268

This register defines the number of the bytes transferred by the DMA module. It remains unchanged during the transfer process.

Bit	Bit Name	Description
31:16	RES	Reserved
15:0	CNT_INIT	Bytes counter initial value; The field contains data page length in bytes (0x0000–0xFFFFD). The number of the bytes must be divided by 4.

**8.23.15 DMA Module Control (DMA\_CTRL)**

Address Offset: 0x1B00026C

This control register for the DMA channel defines the parameters of the DMA transfer.

Bit	Bit Name	Description												
31:8	RES	Reserved												
7	DMA_START	DMA start; set this bit to start DMA when the command sequence will be sent to NAND flash memory.												
6	DMA_DIR	Defines the DMA transfer (transmission) direction <table border="1" data-bbox="521 1360 1162 1430"> <tr> <td>0</td> <td>Write data from AHB to the internal buffer (FIFO)</td> </tr> <tr> <td>1</td> <td>Read from internal buffer (FIFO) and write to AHB</td> </tr> </table>	0	Write data from AHB to the internal buffer (FIFO)	1	Read from internal buffer (FIFO) and write to AHB								
0	Write data from AHB to the internal buffer (FIFO)													
1	Read from internal buffer (FIFO) and write to AHB													
5	DMA_MODE	DMA work mode <table border="1" data-bbox="521 1465 883 1535"> <tr> <td>0</td> <td>Register-managed mode</td> </tr> <tr> <td>1</td> <td>Scatter-gather mode</td> </tr> </table>	0	Register-managed mode	1	Scatter-gather mode								
0	Register-managed mode													
1	Scatter-gather mode													
4:2	DMA_BURST	Burst type; These bits define the main transfer type used by the DMA to precede the requested transfer. <table border="1" data-bbox="521 1598 1421 1801"> <tr> <td>000</td> <td>Incrementing precise burst of precisely four transfers</td> </tr> <tr> <td>001</td> <td>Stream burst (address constant)</td> </tr> <tr> <td>010</td> <td>Single transfer (address increment)</td> </tr> <tr> <td>011</td> <td>Burst of unspecified length (address increment)</td> </tr> <tr> <td>100</td> <td>Incrementing precise burst of precisely eight transfers</td> </tr> <tr> <td>101</td> <td>Incrementing precise burst of precisely sixteen transfers</td> </tr> </table>	000	Incrementing precise burst of precisely four transfers	001	Stream burst (address constant)	010	Single transfer (address increment)	011	Burst of unspecified length (address increment)	100	Incrementing precise burst of precisely eight transfers	101	Incrementing precise burst of precisely sixteen transfers
000	Incrementing precise burst of precisely four transfers													
001	Stream burst (address constant)													
010	Single transfer (address increment)													
011	Burst of unspecified length (address increment)													
100	Incrementing precise burst of precisely eight transfers													
101	Incrementing precise burst of precisely sixteen transfers													
1	ERR_FLAG	DMA error flag; Set when a Tx error occurs during the DMA transfer. Set when the logical 1 value on the SERROR line was set.												
0	DMA_READY	DMA ready flag. The flag is set transfer is completed.												

**8.23.16 Memory Device Control (MEM\_CTRL)**

Address Offset: 0x1B000280

This register stores the set of configuration parameters used to select the destination NAND flash device for the current transfer and state of the write protect bit for each device.

Bit	Bit Name	Description
31:16	RES	Reserved
15	MEM7_WP	WP line state of the eighth device in the selected bank
14	MEM6_WP	WP line state of the seventh device in the selected bank
13	MEM5_WP	WP line state of the sixth device in the selected bank
12	MEM4_WP	WP line state of the fifth device in the selected bank
11	MEM3_WP	WP line state of the fourth device in the selected bank
10	MEM2_WP	WP line state of the third device in the selected bank
9	MEM1_WP	WP line state of the second device in the selected bank
8	MEM0_WP	WP line state of the first device in the selected bank
7:3	RES	Reserved
2:0	MEM0_CE	The memory selection field. The number of selected memory is binary coded.

**8.23.17 Custom Page Size Value (DATA\_SIZE)**

Address Offset: 0x1B000284

Stores the size of the data block. It is used only when the CUSTOM\_SIZE\_EN field of “Main Configuration (CONTROL)” chooses the custom size, otherwise the fixed value is used. The data size value is the number of bytes per transferred block, but its size must be declared

as the multiple of the chosen NAND flash word size. Unused bits for the word size configuration are replaced with 0. When a non-custom data size is selected, the register value is overwritten by the value decoded from the PAGE\_SIZE field of the CONTROL register.

Bit	Bit Name	Description
31:16	RES	Reserved
15:0	DATA_SIZE	Defines the data size

**8.23.18 Read Status Command Output Value (READ\_STATUS)**

Address Offset: 0x1B000288

Stores the value of the “Controller Status (STATUS)” register that was a result of the latest READ STATUS command. A read of this register must be preceded by sending the

READ STATUS command to the device requiring the status. This register is valid as soon as the destination device status is in the STATUS register back to ready state after command execution.

Bit	Bit Name	Description
31:16	RES	Reserved
15:8	STATE_MASK	Marks the ready/busy bits in the NAND flash device status byte. This field is used during internal read status operation.
7:0	STATUS	The READ STATUS command output value.

### 8.23.19 Command Sequence Timings Configuration (TIME\_SEQ)

Address Offset: 0x1B00028C

The NAND flash controller is intended to be used with a wide range of host clock rates. To maximize flexibility, some timing parameters are configurable. This register defines some of the waveform configuration parameters.

Bit	Bit Name	Description
7:15	RES	Reserved
14:12	TWB	Busy time for interface change The busy time when the interface changes from asynchronous to synchronous using the SET FEATURES command or synchronous to asynchronous using the RESET command.
11:9	TWHR	Command cycle to data output time for synchronous interface. NAND_WE_L high to NAND_RE_L low time for asynchronous interface.
8:6	TRHW	Data output to command , address, or data input time for synchronous interface. NAND_RE_L high to NAND_WE_L low time for asynchronous interface.
5:3	TADL	NAND_ALE to data loading time for synchronous interface. NAND_ALE to data start time for asynchronous interface.
2:0	TCCS	Change column setup.

### 8.23.20 Timing Configuration 0 (TIMING\_ASYN)

Address Offset: 0x1B000290

The NAND flash controller is intended to be used with a wide range of host clock rates. To maximize flexibility, some timing parameters are configurable. Two waveform configuration parameters are defined in this register.

Bit	Bit Name	Description
31:8	RES	Reserved
7:4	TRHW	NAND_WE_L or NAND_RE_L high hold time.
3:0	TRWP	NAND_WE_L or NAND_RE_L pulse width.

### 8.23.21 Timing Configuration 1 (TIMING\_SYN)

Address Offset: 0x1B000294

The NAND flash controller is intended to be used with a wide range of host clock rates. To maximize flexibility, some timing parameters are configurable. This register contains one waveform configuration parameter.

Bit	Bit Name	Description
31:4	RES	Reserved
3:0	TCAD	Command address delay

### 8.23.22 FIFO Module Interface (FIFO\_DATA)

Address Offset: 0x1B000298

This register is used as an entry point to the FIFO module for the SIU module. The external CPU can access the FIFO module by reading or writing to this register in the same way as it accesses any other registers.

Bit	Bit Name	Description
31:0	FIFO_DATA	<p>FIFO data. The FIFO module works on 32-bit words so when the FIFO DATA register is accessed from the narrower bus then:</p> <ul style="list-style-type: none"> <li>■ For the read operation: The access to lowest byte triggers the word read from the FIFO module. If the requested data is narrower than the FIFO word size, then the read word is stored for further accesses. If the read request does not strobe the lowest byte, the previously stored data is used instead, triggering new access to the FIFO.</li> <li>■ For the write operation situation is almost the same. Only the request that strobe the lowest byte trigger the write access to the FIFO module. Any other requests cause only writes to the temporary register used in further access to the FIFO module.</li> </ul>

### 8.23.23 DQS Signal Delay Effect (TIME\_MODE)

Address Offset: 0x1B00029C

This register contains the DQS delay which determine the delay of the strobe signal introduced during data read in synchronous mode.

Bit	Bit Name	Description
31:28	DQS_DELAY_7	The DQS delay value for memory device 7
27:24	DQS_DELAY_6	The DQS delay value for memory device 6
23:20	DQS_DELAY_5	The DQS delay value for memory device 5
19:16	DQS_DELAY_4	The DQS delay value for memory device 4
15:12	DQS_DELAY_3	The DQS delay value for memory device 3
11:8	DQS_DELAY_2	The DQS delay value for memory device 2
7:4	DQS_DELAY_1	The DQS delay value for memory device 1
3:0	DQS_DELAY_0	The DQS delay value for memory device 0

### 8.23.24 DMA Module Address Offset (DMA\_ADDR\_OFFSET)

Address Offset: 0x1B0002A0

This register contains the offset vector for the master interface address bus. The value on the master interface address bus is composed from the offset part and address part. It is a concatenation of the this register and the “DMA Module Base Address (DMA\_ADDR)” registers.

Bit	Bit Name	Description
31:0	DMA_ADDR_OFFSET	DMA address offset bytes



### 8.23.25 Control for the FIFO Module (FIFO\_INIT)

Address Offset: 0x1B0002B0

Bit	Bit Name	Description
31:1	RES	Reserved
0	FIFO_INIT	FIFO init bit. Setting of this bit causes the flushing of FIFO.

### 8.23.26 Configuration for the Two Generic Sequences (GENERIC\_SEQ\_CTRL)

Address Offset: 0x1B0002B4

This register stores the set of the configuration for the two generic sequences available to mimic the almost any command available in the NAND flash devices.

Bit	Bit Name	Description	
31:18	RES	Reserved	
17	COL_ADDR	Enable or disable the column part of the address	
16	DATA_EN	Enable or disable the presence of the data phase in the universal command sequence	
15:8	CMD3_CODE	Command 3 code value This field holds the value of the command that will be send to the NAND flash device in the command 3 phase of the generic command sequence.	
7:6	DEL_EN	Enable the busy 1 phase This bit allows enabling or disabling the presence of the busy 1 phase in the universal command sequence.	
		00	Disable both delays
		01	Enable delay 0
		10	Enable delay 1
11		11	Disable both delays
5	CMD3_EN	Enable command 3 phase This bit allows enabling or disabling the presence of the command 3 phase in the universal command sequence.	
4	CMD2_EN	Enable command 2 phase This bit allows enabling or disabling the presence of the command 2 phase in the universal command sequence.	
3	ADDR1_EN	Enable address 1 phase This bit allows enabling or disabling the presence of the address 1 phase in the universal command sequence.	
2	CMD1_EN	Enable command 1 phase This bit allows enabling or disabling the presence of the command 1 phase in the universal command sequence.	
1	ADDR0_EN	Enable address 0 phase This bit allows enabling or disabling the presence of the address 0 phase in the universal command sequence.	
0	CMD0_EN	Enable command 0 phase This bit allows enabling or disabling the presence of the command 0 phase in the universal command sequence.	

## 8.24 PCIE EP DMA Registers

Table 8-28 summarizes the PCIE EP DMA registers for the AR9344.

Table 8-28. PCIE EP Host DMA Registers Summary

Client Register Address	Host Register Address	Name	Description	Page
0x18127800 (Chain 0) 0x18127900 (Chain 1) 0x18127A00 (Chain 2) 0x18127B00 (Chain 3)	0x00000800 (Chain 0) 0x00000900 (Chain 1)	RX_DESC_START_ADDRESS	Rx Descriptor Start Address	page 403
0x18127804 (Chain 0) 0x18127904 (Chain 1) 0x18127A04 (Chain 2) 0x18127B04 (Chain 3)	0x00000804 (Chain 0) 0x00000904 (Chain 1)	RX_DMA_START	Rx DMA Start	page 403
0x18127808 (Chain 0) 0x18127908 (Chain 1) 0x18127A08 (Chain 2) 0x18127B08 (Chain 3)	0x00000808 (Chain 0) 0x00000908 (Chain 1)	RX_BURST_SIZE	Rx AHB Burst Size	page 403
0x1812780C (Chain 0) 0x1812790C (Chain 1) 0x18127A0C (Chain 2) 0x18127B0C (Chain 3)	0x0000080C (Chain 0) 0x0000090C (Chain 1)	PKT_OFFSET	Packet Offset	page 404
0x18127810 (Chain 0) 0x18127910 (Chain 1) 0x18127A10 (Chain 2) 0x18127B10 (Chain 3)	0x00000810 (Chain 0) 0x00000910 (Chain 1)	CHECKSUM	Checksum	page 404
0x1812781C (Chain 0) 0x1812791C (Chain 1) 0x18127A1C (Chain 2) 0x18127B1C (Chain 3)	—	RX_DATA_SWAP	Data Swap	page 404
0x18127C00 (Chain 0) 0x18127D00 (Chain 1)	0x00000C00 (Chain 0) 0x00000D00 (Chain 1) 0x00000E00 (Chain 2) 0x00000F00 (Chain 3)	TX_DESC_START_ADDRESS	Rx Descriptor Start Address	page 405
0x18127C04 (Chain 0) 0x18127D04 (Chain 1)	0x00000C04 (Chain 0) 0x00000D04 (Chain 1) 0x00000E04 (Chain 2) 0x00000F04 (Chain 3)	TX_DMA_START	Tx DMA Start	page 405
0x18127C08 (Chain 0) 0x18127D08 (Chain 1)	0x00000C08 (Chain 0) 0x00000D08 (Chain 1) 0x00000E08 (Chain 2) 0x00000F08 (Chain 3)	INTERRUPT_LIMIT	Interrupt Limit	page 405
0x18127C0C (Chain 0) 0x18127D0C (Chain 1)	0x00000C0C (Chain 0) 0x00000D0C (Chain 1) 0x00000E0C (Chain 2) 0x00000F0C (Chain 3)	TX_BURST_SIZE	Tx AHB Burst Size	page 406
0x18127C18 (Chain 0) 0x18127D18 (Chain 1)	0x00000C18 (Chain 0) 0x00000D18 (Chain 1) 0x00000E18 (Chain 2) 0x00000F18 (Chain 3)	TX_DATA_SWAP	Tx Data Swap	page 406
—	0x00000000	HOST_DMA_INTERRUPT	Interrupt Status	page 407
—	0x00000004	HOST_DMA_INTERRUPT_MASK	Interrupt Mask	page 408
—	0x00000008	PRIORITY	Arbitration Priority	page 408

### 8.24.1 Rx Descriptor Start Address (RX\_DESC\_START\_ADDRESS)

Client Address: 0x18127800 (Chain 0)

0x18127900 (Chain 1)

0x18127A00 (Chain 2)

0x18127B00 (Chain 3)

Host Address: 0x00000800 (Chain 0)

0x00000900 (Chain 1)

Access: Read/Write

Reset: 0s0

This register contains the address at the start of the descriptor chain. It needs to be set only once after reset.

Bit	Bit Name	Description
31:0	ADDRESS	The start address of the descriptor

### 8.24.2 Rx DMA Start (RX\_DMA\_START)

Client register address: 0x18127804 (Chain 0)

0x18127904 (Chain 1)

0x18127A04 (Chain 2)

0x18127B04 (Chain 3)

Host register address: 0x00000804 (Chain 0)

0x00000904 (Chain 1)

Access: Read/Write

Reset: 0x0

This register is used to start or resume reading the descriptor chain.

Bit	Bit Name	Description
31:5	RES	Reserved. Must be written with zero. Contains zeros when read.
4	RESTART	Write a 1 to this bit when a chain is stopped will force a reload of the “ <a href="#">Rx Descriptor Start Address (RX_DESC_START_ADDRESS)</a> ” on <a href="#">page 403</a> register.
3:1	RES	Reserved. Must be written with zero. Contains zeros when read.
0	START	Writing a 1 to this bit will start the DMA chain if it stopped. This bit will be cleared once the DMA engine has stopped and restarted.

### 8.24.3 Rx AHB Burst Size (RX\_BURST\_SIZE)

Client register address: 0x18127808 (Chain 0)

0x18127908 (Chain 1)

0x18127A08 (Chain 2)

0x18127B08 (Chain 3)

Host register address: 0x00000808 (Chain 0)

0x00000908 (Chain 1)

Access: Read/Write

Reset: 0x0

This register sets the standard DMA burst size used on the AHB bus.

Bit	Bit Name	Description						
31:2	RES	Reserved. Must be written with zero. Contains zeros when read.						
1:0	BURST	Defines the burst size <table border="1" data-bbox="560 1753 1421 1877"> <tbody> <tr> <td>00</td> <td>4 words, 16 bytes</td> </tr> <tr> <td>01</td> <td>8 words, 32 bytes</td> </tr> <tr> <td>10</td> <td>16 words, 64 bytes</td> </tr> </tbody> </table>	00	4 words, 16 bytes	01	8 words, 32 bytes	10	16 words, 64 bytes
00	4 words, 16 bytes							
01	8 words, 32 bytes							
10	16 words, 64 bytes							

#### 8.24.4 Packet Offset (PKT\_OFFSET)

Client register address: 0x1812780C (Chain 0)  
 0x1812790C (Chain 1)  
 0x18127A0C (Chain 2)  
 0x18127B0C (Chain 3)  
 Host register address: 0x0000080C (Chain 0)  
 0x0000090C (Chain 1)  
 Access: Read/Write  
 Reset: 0x0

This register informs the DMA engine to place the packet a programmable number of bytes after the start of the buffer. This allows software to add an additional header in front of the packet without doing a copy.

Bit	Bit Name	Description
31:8	RES	Reserved. Must be written with zero. Contains zeros when read.
7:0	OFFSET	The offset in bytes. The size of the buffer attached to the first descriptor of the packet must be larger than the offset value.

#### 8.24.5 Checksum (CHECKSUM)

Client register address: 0x18127810 (Chain 0)  
 0x18127910 (Chain 1)  
 0x18127A10 (Chain 2)  
 0x18127B10 (Chain 3)  
 Host register address: 0x00000810 (Chain 0)  
 0x00000910 (Chain 1)  
 Access: See field description  
 Reset: 0x0

This register informs the DMA whether or not to insert a TCP or UDP checksum during a receive operation.

Bit	Bit Name	Type	Description
31:2	RES	RO	Reserved. Must be written with zero. Contains zeros when read.
1	UDP	RW	Insert a UDP checksum for packets received
0	TCP	WO	Insert a TCP checksum for packets received

#### 8.24.6 Rx Data Swap (RX\_DATA\_SWAP)

Client register address: 0x1812781C (Chain 0)  
 0x1812791C (Chain 1)  
 0x18127A1C (Chain 2)  
 0x18127B1C (Chain 3)  
 Access: Read/Write  
 Reset: 0x0

This register controls whether the data is swapped before being sent on. Descriptors are never swapped.

Bit	Bit Name	Description
31:2	RES	Reserved. Must be written with zero. Contains zeros when read.
1	SWAPD	Swap descriptor data
0	SWAP	Swap data

### 8.24.7 Tx Descriptor Start Address (TX\_DESC\_START\_ADDRESS)

Client register address: 0x18127C00 (Chain 0)

0x18127D00 (Chain 1)

Host register address: 0x00000C00 (Chain 0)

0x00000D00 (Chain 1)

0x00000E00 (Chain 2)

0x00000F00 (Chain 3)

Access: Read/Write

Reset: 0x0

This register contains the address at the start of the descriptor chain. It needs to be set only once after reset.

Bit	Bit Name	Description
31:0	ADDRESS	The start address of the descriptor

### 8.24.8 Tx DMA Start (TX\_DMA\_START)

Client register address: 0x18127C04 (Chain 0)

0x18127D04 (Chain 1)

Host register address: 0x00000C04 (Chain 0)

0x00000D04 (Chain 1)

0x00000E04 (Chain 2)

0x00000F04 (Chain 3)

Access: Read/Write

Reset: 0x0

This register is used to start or resume reading the descriptor chain.

Bit	Bit Name	Description
31:5	RES	Reserved. Must be written with zero. Contains zeros when read.
4	RESTART	Write a 1 to this bit when a chain is stopped will force a reload of the <a href="#">“Tx Descriptor Start Address (TX_DESC_START_ADDRESS)”</a> on <a href="#">page 405</a> register.
3:1	RES	Reserved. Must be written with zero. Contains zeros when read.
0	START	Writing a 1 to this bit will start the DMA chain if it stopped. This bit will be cleared once the DMA engine has stopped and restarted.

### 8.24.9 Interrupt Limit (INTERRUPT\_LIMIT)

Client register address: 0x18127C08 (Chain 0)

0x18127D08 (Chain 1)

Host register address: 0x00000C08 (Chain 0)

0x00000D08 (Chain 1)

0x00000E08 (Chain 2)

0x00000F08 (Chain 3)

Access: Read/Write

Reset: See field description

This register contains limits that set how often the COMPLETE interrupt is asserted.

Bit	Bit Name	Reset	Description
31:16	RES	0x0	Reserved. Must be written with zero. Contains zeros when read.
15:4	TIMEOUT	0x0	This value sets the maximum time the DMA engine will wait before asserting an interrupt after a packet has been received. The value is set in units of 32 clock cycles.
3:0	COUNT	0x1	In the absence of a timeout, an interrupt will be asserted after the number of packets stated here have passed since the last time the interrupt register was read.

**8.24.10Tx AHB Burst Size (TX\_BURST\_SIZE)**

Client register address: 0x18127C0C (Chain 0)  
 0x18127D0C (Chain 1)

Host register address: 0x00000C0C (Chain 0)

0x00000D0C (Chain 1)

0x00000E0C (Chain 2)

0x00000F0C (Chain 3)

Access: Read/Write

Reset: 0x0

This register sets the standard DMA burst size used on the AHB bus.

Bit	Bit Name	Description	
31:2	RES	Reserved. Must be written with zero. Contains zeros when read.	
1:0	BURST	Defines the burst size	
		00	4 words, 16 bytes
		01	8 words, 32 bytes
		10	16 words, 64 bytes

**8.24.11Tx Data Swap (TX\_DATA\_SWAP)**

Client register address: 0x18127C18 (Chain 0)  
 0x18127D18 (Chain 1)

Host register address: 0x00000C18 (Chain 0)

0x00000D18 (Chain 1)

0x00000E18 (Chain 2)

0x00000F18 (Chain 3)

Access: Read/Write

Reset: 0x0

This register controls whether the data is swapped before being sent on. Descriptors are never swapped.

Bit	Bit Name	Description
31:2	RES	Reserved. Must be written with zero. Contains zeros when read.
1	SWAPD	Swap descriptor data
0	SWAP	Swap data

**8.24.12 Interrupt Status (HOST\_DMA\_INTERRUPT)**

Address: 0x00000000

Access: Read-Only

Reset: 0x0

This register denotes the current status of the DMA engines.

Bit	Bit Name	Description
31:28	RES	Reserved. Must be written with zero. Contains zeros when read.
27	TX_3_END	The DMA engine has reached the end of the descriptor chain on Tx chain 3
26	TX_2_END	The DMA engine has reached the end of the descriptor chain on Tx chain 2
25	TX_1_END	The DMA engine has reached the end of the descriptor chain on Tx chain 1
24	TX_0_END	The DMA engine has reached the end of the descriptor chain on Tx chain 0
23:20	RES	Reserved. Must be written with zero. Contains zeros when read.
19	TX_3_COMPLETE	A packet has been received on Tx chain 3
18	TX_2_COMPLETE	A packet has been received on Tx chain 2
17	TX_1_COMPLETE	A packet has been received on Tx chain 1
16	TX_0_COMPLETE	A packet has been received on Tx chain 0
15:10	RES	Reserved. Must be written with zero. Contains zeros when read.
9	RX_1_END	The DMA engine has reached the end of the descriptor chain on RX chain 1
8	RX_0_END	The DMA engine has reached the end of the descriptor chain on RX chain 0
7:2	RES	Reserved. Must be written with zero. Contains zeros when read.
1	RX_1_COMPLETE	A packet has been received on Rx chain 1
0	RX_0_COMPLETE	A packet has been received on Rx chain 0

**8.24.13 Interrupt Mask (HOST\_DMA\_INTERRUPT\_MASK)**

Address: 0x00000004

Access: Read/Write

Reset: 0x0

This register selectively enables or disables propagation of interrupts in the INTERRUPT register.

Bit	Bit Name	Description
31:28	RES	Reserved. Must be written with zero. Contains zeros when read.
27	TX_3_END_MASK	Enables TX_3_END interrupt if 1
26	TX_2_END_MASK	Enables TX_2_END interrupt if 1
25	TX_1_END_MASK	Enables TX_1_END interrupt if 1
24	TX_0_END_MASK	Enables TX_0_END interrupt if 1
23:20	RES	Reserved. Must be written with zero. Contains zeros when read.
19	TX_3_COMPLETE_MASK	Enables TX_3_COMPLETE interrupt if 1
18	TX_2_COMPLETE_MASK	Enables TX_2_COMPLETE interrupt if 1
17	TX_1_COMPLETE_MASK	Enables TX_1_COMPLETE interrupt if 1
16	TX_0_COMPLETE_MASK	Enables TX_0_COMPLETE interrupt if 1
15:10	RES	Reserved. Must be written with zero. Contains zeros when read.
9	RX_1_END_MASK	Enables RX_1_END interrupt if 1
8	RX_0_END_MASK	Enables RX_0_END interrupt if 1
7:2	RES	Reserved. Must be written with zero. Contains zeros when read.
1	RX_1_COMPLETE_MASK	Enables RX_1_COMPLETE interrupt if 1
0	RX_0_COMPLETE_MASK	Enables RX_0_COMPLETE interrupt if 1

**8.24.14 Arbitration Priority (PRIORITY)**

Address: 0x00000008

Access: Read/Write

Reset: 0x0

This register sets the priority level of each DMA chain.

Bit	Bit Name	Description
31:22	RES	Reserved. Must be written with zero. Contains zeros when read.
21:20	RX_1_PRIORITY	Priority level of Rx chain 1
19:18	RES	Reserved. Must be written with zero. Contains zeros when read.
17:16	RX_0_PRIORITY	Priority level of Rx chain 0
15:14	RES	Reserved. Must be written with zero. Contains zeros when read.
13:12	TX_3_PRIORITY	Priority level of Tx chain 3
11:10	RES	Reserved. Must be written with zero. Contains zeros when read.
9:8	TX_2_PRIORITY	Priority level of Tx chain 2
7:6	RES	Reserved. Must be written with zero. Contains zeros when read.
5:4	TX_1_PRIORITY	Priority level of Tx chain 1
3:2	RES	Reserved. Must be written with zero. Contains zeros when read.
1:0	TX_0_PRIORITY	Priority level of Tx chain 0



## 8.25 Serial Flash SPI Controller Registers

Table 8-29 summarizes the serial flash SPI controller registers for the AR9344.

Table 8-29. Serial Flash SPI Controller Registers Summary

Address	Name	Description	Page
0x1FFF0000	FUNCTION_SELECT_ADDR	SPI Controller GPIO Mode Select	<a href="#">page 409</a>
0x1FFF0004	SPI_CONTROL_ADDR	SPI Address Control	<a href="#">page 409</a>
0x1FFF0008	SPI_IO_CONTROL_ADDR	SPI I/O Address Control	<a href="#">page 410</a>
0x1FFF000C	SPI_READ_DATA_ADDR	SPI Read Data Address	<a href="#">page 410</a>
0x1FFF0010	SPI_SHIFT_DATAOUT_ADDR	SPI Data to Shift Out	<a href="#">page 410</a>
0x1FFF0014	SPI_SHIFT_CNT_ADDR	SPI Content to Shift Out or In	<a href="#">page 411</a>
0x1FFF0018	SPI_SHIFT_DATAIN_ADDR	SPI Data to Shift In	<a href="#">page 411</a>

### 8.25.1 SPI Controller GPIO Mode Select (FUNCTION\_SELECT\_ADDR)

Address: 0x1FFF0000

Access: Read/Write

Reset: 0x0

Bit	Bit Name	Description
31:1	RES	Reserved
0	FUNCTION_SELECT	Writing a non-zero value to this register selects the GPIO mode for the SPI controller.

### 8.25.2 SPI Address Control (SPI\_CONTROL\_ADDR)

Address: 0x1FFF0004

Access: Read/Write

Reset: 0x0

Bit	Bit Name	Description
31:14	RES	Reserved
13:8	TSHSL_CNT	Minimum time for which CS has must be deasserted between two SPI transactions.
7	SPI_RELOCATE	When this bit is set, 16 MB of SPI is mapped to 0x1E00_0000.
6	REMAP_DISABLE	Disables the alias of the lower 4 MB of SPI space, enabling the ROM to boot from 0x1FC_0000 to alias to 0x1F0_0000 until software disables the aliasing.
5:0	CLOCK_DIVIDER	The clock divider is based on the AHB clock. The generated clock is $AHBclock / ((CLOCK\_DIVIDER + 1) * 2)$ .

**8.25.3 SPI I/O Address Control (SPI\_IO\_CONTROL\_ADDR)**

Address: 0x1FFF0008

Access: Read/Write

Reset: 0x0

Bit	Bit Name	Description	
31:19	RES	Reserved	
18	IO_CS2	Chip select 2. Active low signal.	
		0	Enable chip select 2
		1	Disable chip select 2
17	IO_CS1	Chip select 1. Active low signal.	
16	IO_CS0	Chip select 0. Active low signal.	
15:9	RES	Reserved	
8	IO_CLK	SPI clock	
7:1	RES	Reserved	
0	IO_DO	Data out	

**8.25.4 SPI Read Data Address (SPI\_READ\_DATA\_ADDR)**

Address: 0x1FFF000C

Access: Read/Write

Reset: 0x0

Bit	Bit Name	Description
31:0	READ_DATA	The SPI read data is shifted in and sampled every cycle

**8.25.5 SPI Data to Shift Out (SPI\_SHIFT\_DATAOUT\_ADDR)**

Address: 0x1FFF0010

Access: Read/Write

Reset: 0x0

Bit	Bit Name	Description
31:0	SHIFT_DATAOUT	The data (either CMD, ADDR, or DATA) to be shifted out every clock cycle

**8.25.6 SPI Content to Shift Out or In (SPI\_SHIFT\_CNT\_ADDR)**

Address: 0x1FFF0014

Access: Read/Write

Reset: 0x0

Bit	Bit Name	Description
31	SHIFT_EN	Enables shifting data out
30	SHIFT_CHNL	If set to 1, enables chip select 2
29		If set to 1, enables chip select 1
28		If set to 1, enables chip select 0
27	SHIFT_CLKOUT	Initial value of the clock signal
26	TERMINATE	When set to 1, deasserts the chip select
25:7	RES	Reserved
6:0	SHIFT_COUNT	The number of bits to be shifted out or shifted in on the data line

**8.25.7 SPI Data to Shift In (SPI\_SHIFT\_DATAIN\_ADDR)**

Address: 0x1FFF0018

Access: Read/Write

Reset: 0x0

Bit	Bit Name	Description
31:0	SHIFT_DATAIN	SPI read data

## Ethernet Switch Registers

This section describes the internal registers of the Ethernet Switch registers. [Table 8-30](#) summarizes the Ethernet registers for the Ethernet switch.

**Table 8-30. Ethernet Switch Registers Summary**

Address	Name	Page
0x0000–0x00FC	Global Control Registers	<a href="#">page 412</a>
0x0100–0x0124	Port Control Registers	<a href="#">page 429</a>
	PHY Registers	<a href="#">page 440</a>

### 8.26 Global Control Registers

[Table 8-31](#) summarizes the global control registers.

**Table 8-31. Global Control Register Summary**

Offset	Description	Page
0x0000	Mask Control	<a href="#">page 413</a>
0x0004	Operational Mode 0	<a href="#">page 413</a>
0x0008	Operational Mode 1	<a href="#">page 413</a>
0x0014	Global Interrupt	<a href="#">page 414</a>
0x0018	Global Interrupt Mask	<a href="#">page 415</a>
0x0020 — 0x0024	Global MAC Address	<a href="#">page 415</a>
0x0028	Loop Check Result	<a href="#">page 416</a>
0x002C	Flood Mask	<a href="#">page 416</a>
0x0030	Global Control	<a href="#">page 417</a>
0x0034	Flow Control 0	<a href="#">page 418</a>
0x0038	Flow Control 1	<a href="#">page 418</a>
0x003C	QM Control	<a href="#">page 419</a>
0x0040 — 0x0044	VLAN Table Function	<a href="#">page 420</a>
0x0050 — 0x0058	Address Table Function	<a href="#">page 420</a>
0x005C	Address Table Control	<a href="#">page 421</a>
0x0060 — 0x006C	IP Priority Mapping 2	<a href="#">page 424</a>
0x0070	Tag Priority	<a href="#">page 426</a>
0x0074	Service Tag	<a href="#">page 426</a>
0x0078	CPU Port	<a href="#">page 426</a>
0x0080	MIB Function	<a href="#">page 427</a>
0x0098	MDIO Control	<a href="#">page 427</a>
0x00B0 — 0x00B8	LED Control	<a href="#">page 428</a>

### 8.26.1 Mask Control

Address Offset: 0x0000  
 Access: See field description  
 Reset: See field description

This register can only be reset by a hardware reset.

Bit	Bit Name	Type	Reset	Description
31	SOFT_RET	WO/SC	0x0	Set to 1 for a software reset; set by the software to initiate the hardware. It should be self-cleared by the hardware after the initialization is done.
30:17	RES	RO	0x0	Reserved. Must be written with zero. Contains zeros when read.
16	LOAD_EEPROM	RW	0x0	Load EEPROM enable. This bit is set to automatically load registers from an EEPROM. It should be cleared after the loading is complete.
15:8	DEVICE_ID	RO	0x02	Device identifier
7:0	REV_ID	RO	0x01	Revision identifier

### 8.26.2 Operational Mode 0

Address Offset: 0x0004  
 Access: Read/Write  
 Reset: 0x0

This register can only be reset by a hardware reset.

Bit	Bit Name	Description
31:11	RES	Reserved. Must be written with zero. Contains zeros when read.
10	MAC0_PHY_MII_EN	Set to 1 to connect mac0 to CPU through MII interface, PHY mode
9:7	RES	Reserved.
6	MAC0_MAC_GMII_EN	Set to 1 to connect mac0 to CPU through GMII interface, MAC mode
5:0	RES	Reserved.

### 8.26.3 Operational Mode 1

Address Offset: 0x0008  
 Access: Read/Write  
 Reset: 0x0

This register can only be reset by a hardware reset.

Bit	Bit Name	Description
31:29	RES	Reserved. Must be written with zero. Contains zeros when read.
28	PHY4_MII_EN	Set to 1 to connect phy4 to CPU through MII interface
27:0	MAC5_MAC_MII_RXCLK_SEL	Set to 1 to select invert clock input for port0 MAC mode, MII interface RXCLK

**8.26.4 Global Interrupt**

Address Offset: 0x0014

Access: Read/Write

Reset: See field description

Bit	Bit Name	Type	Reset	Description
31:19	RES	RO	0x0	Reserved. Must be written with zero. Contains zeros when read.
18	LOOP_CHECK_INT	RW1C	0x0	Interrupt when loop checked by hardware
17:15	RES	RO	0x0	Reserved. Must be written with zero. Contains zeros when read.
14	HARDWARE_INI_DONE	RW1C	0x1	Interrupt when hardware memory initialization is complete
13	MIB_INI_INT	RW1C	0x1	Interrupt when MIB memory initialization is complete
12	MIB_DONE_INT	RW1C	0x0	Interrupt when MIB access by CPU is complete
11	BIST_DONE_INT	RW1C	0x0	Interrupt when BIST test is complete
10	VT_MISS_VIO_INT	RW1C	0x0	Interrupt when the VID is not found in the VLAN table
9	VT_MEM_VIO_INT	RW1C	0x0	Interrupt when the VID is in the VLAN table, but the source port is not a member of the VLAN
8	VT_DONE_INT	RW1C	0x0	Interrupt when the CPU has completed an access of the VLAN table
7	QM_INI_INT	RW1C	0x1	Interrupt when the QM memory initialization is complete
6	AT_INI_INT	RW1C	0x1	Interrupt when the Address table initialization is complete
5	ARL_FULL_INT	RW1C	0x0	Interrupt when a new address is "learned" by being added to the address table, but the two addresses are both valid
4	ARL_DONE_INT	RW1C	0x0	Interrupt when the CPU access of the Address table is complete
3	MDIO_DONE_INT	RW1C	0x0	Interrupt when MDIO access of the switch register is complete
2	PHY_INT	RW1C	0x0	Physical layer interrupt
1	EEPROM_ERR_INT	RW1C	0x0	Interrupt when an error is detected during the loading of an EEPROM
0	EEPROM_INT	RW1C	0x0	Interrupt when the loading of an EEPROM is complete

### 8.26.5 Global Interrupt Mask

Address Offset: 0x0018

Access: Read/Write

Reset: 0x0

Each bit in this register is corresponding to a bit in the GLOBAL INTERRUPT REGISTER.

Interrupts are allowed to be sent out when both the interrupt event and mask bit are set.

Bit	Bit Name	Type	Description
31:19	RES	RW	Reserved. Must be written with zero. Contains zeros when read.
18	LOOP_CHECK_INT_EN	RW	Enable loop check interrupt
17:15	RES	RW	Reserved. Must be written with zero. Contains zeros when read.
14	HARDWARE_INI_DONE_EN	RW	Enable interrupt when hardware memory initiation is complete
13	MIB_INI_INT_EN	RW	MIB was accessed by the CPU
12	MIB_DONE_INT_EN	RW	Enable the interrupt of MIB accesses done by CPU
11	BIST_DONE_INT_EN	RW	Enable BIST test complete interrupt
10	VT_MISS_VIO_INT_EN	RW	Interrupt when the VID of the received frame is not in the VLAN table
9	VT_MEM_VIO_INT_EN	RW	Interrupt when the VID of the received frame is in the VLAN table, but the source port is not the member of the VID
8	VT_DONE_INT_EN	RW	The VLAN table was accessed by the CPU
7	QM_INI_INT_EN	RW	Enable interrupt when QM memory initiation is complete
6	AT_INI_INT_EN	RW	Enable interrupt when address table initiation is complete
5	ARL_FULL_INT_EN	RW	Interrupt when a new address to learn is in the address table, but the address's two entries are both valid
4	ARL_DONE_INT_EN	RW	The address table was accessed by the CPU
3	MDIO_DONE_INT_EN	RW	The MDIO access switch register was interrupted
2	PHY_INT_EN	RW	Physical layer interrupt
1	EEPROM_ERR_INT_EN	RW	Interrupt when an error occurred during load EEPROM
0	EEPROM_INT_EN	RW	Interrupt when an EEPROM load has completed

### 8.26.6 Global MAC Address

Address Offset: 0x0020, 0x0024

Access: Read/Write

Reset: See field description

These registers can only be reset by hardware.

Offset	Bit	Bit Name	Type	Reset	Description
0x0020	31:16	Reserved	RO	0x0	
	15:8	MAC_ADDR_BYTE4	RW	0x0	Station address of switch. Used as source address in pause frame or other management frames
	7:0	MAC_ADDR_BYTE5	RW	0x01	
0x0024	31:24	MAC_ADDR_BYTE0	RW	0x0	Station address of the switch, used as source address in pause frame or other management frames
	23:16	MAC_ADDR_BYTE1	RW	0x0	
	15:8	MAC_ADDR_BYTE2	RW	0x0	
	7:0	MAC_ADDR_BYTE3	RW	0x0	

### 8.26.7 Loop Check Result

Address Offset: 0x0028  
 Access: Read Only  
 Reset: 0x0

These registers can only be reset by hardware.

Bit	Bit Name	Type	Description
31:8	RES	RO	Reserved. Must be written with zero. Contains zeros when read.
7:4	PORT_NUM_NEW	RO	When hardware checked loops occur, these bits indicate MAC address new port number.
4:0	PORT_NUM_OLD	RO	When hardware checked loops occur, these bits indicate MAC address old port number.

### 8.26.8 Flood Mask

Address Offset: 0x002C  
 Access: Read/Write  
 Reset: See field description

Bit	Bit Name	Type	Reset	Description
31:25	BROAD_DP	RW	0x7E	If the MAC receives broadcast frames, use these bits to determine the destination port
24	ARL_UNI_LEAKY_EN	RW	0x0	Configures unicast frame leaky VLANs
				0
23	ARL_MULTI_LEAKY_EN	RW	0	Ignore LEAKY_EN bit in ARL table to control unicast frame leaky VLAN. Only use port-based UNI_LEAKY_EN to control unicast frame leaky VLAN
				1
22:16	MULTI_FLOOD_DP	RW	0x7E	Use LEAKY_EN bit in ARL table to control multicast frame leaky VLAN, and ignore MULTI_LEAKY_EN.
				1
15:14	RES	RO	0	Reserved. Must be written with zero. Contains zeros when read.
13:8	IGMP_JOIN_LEAVE_DP	RW	0x6	If the MAC receives an IGMP/MLD fast join or leave frame, use these bits to determine the destination port
7:6	RES	RO	0	Reserved. Must be written with zero. Contains zeros when read.
6:0	UNI_FLOOD_DP	RW	0x7E	If the MAC receives unknown unicast frames in which the DA is not contained in the ARL table, use these bits to determine the destination port



### 8.26.9 Global Control

Address Offset: 0x0030

Access: Read/Write

Reset: See field description

Bit	Bit Name	Type	Reset	Description	
31:30	RES	RW	0x0	Reserved. Must be written with zero. Contains zeros when read.	
29	RATE_DROP_EN	RW	0x1	Drop packet enable due to rate limit.	
				0	Switch would use flow control to the source port due to rate limit, if the port won't stop switch will drop frame from that port.
				1	Switch will drop frames due to rate limit.
28:26	RES	RW	0x0	Reserved. Must be written with zero. Contains zeros when read.	
25:24	ING_RATE_TIME_SLOT	RW	0x1	Ingress rate limit control timer slot. Note: If the port rate limit set to less than 96 Kbps, do not select 100 $\mu$ s as time slot.	
				00	100 $\mu$ s
				01	1 ms
				10	10 ms
				11	100 ms
23:20	RELOAD_TIMER	RW	0xF	Reload EEPROM timer If the EEPROM can't be read from, the EEPROM should be reloaded when the timer is completed. The timer is set by multiplying the number here by 8 ms. If these bits are zero, the EEPROM will not be reloaded	
19	RES	RO	0x0	Reserved. Must be written with zero. Contains zeros when read.	
18	BROAD_DROP_EN	RW	0x0	Broadcast storm control drop packet enable.	
				0	When broadcast storm occur, switch will use flow control to the source port first, if the port will not stop, the switch will drop frame.
				1	Switch will drop frames if broadcast storm occur.
17:14	RES	RO	0x0	Reserved. Must be written with zero. Contains zeros when read.	
13:0	MAX_FRAME_SIZE	RW	0x5EE	Max frame sized can be received and transmitted by MAC. If a packet's size is larger than MX_FRAME_SIZE, it will be dropped by the MAC. The value is for a normal packet. It should add 4 by MAC if VLANs are supported, add 8 for double VLANs, and add 2 for Atheros header. For Jumbo frames, the maximum frame size is 9 Kbytes.	

**8.26.10 Flow Control 0**

Address Offset: 0x0034

Access: Read/Write

Reset: See field description

Bit	Bit Name	Type	Reset	Description
31:24	RES	RO	0x0	Reserved. Must be written with zero. Contains zeros when read.
23:16	GOL_XON_THRES	RW	0x60	Global-based transmit on threshold. When block memory used by all the ports is less than the value entered here, the MAC would send out a pause off frame and the link partner will start to transmit frames
15:8	RES	RO	0x0	Reserved. Must be written with zero. Contains zeros when read.
7:0	GOL_XOFF_THRES	RW	0x90	Global-based transmit off threshold. When block memory used by all the ports is more than the value entered here, the MAC will send out a pause on frame, and the link partner will stop transmitting frames

**8.26.11 Flow Control 1**

Address Offset: 0x0038

Access: Read/Write

Reset: See field description

Bit	Bit Name	Type	Reset	Description
31:24	RES	RW	0x0	Reserved. Must be written with zero. Contains zeros when read.
23:16	PORT_XON_THRES	RW	0x16	Port-based transmit on threshold. When block memory used by one port is less than this value, the MAC will send out a pause off frame and the link partner will begin to transmit frames
15:8	RES	RO	0x0	Reserved. Must be written with zero. Contains zeros when read.
7:0	PORT_XOFF_THRES	RW	0x20	Port-based transmit off threshold. When block memory used by one port is more than this value, the MAC will send out a pause on frame and the link partner will stop transmitting frames

## 8.26.12 QM Control

Address Offset: 0x003C

Access: Read/Write

Reset: See field description

Bit	Bit Name	Type	Reset	Description	
31:28	RES	RW	0x0	Reserved. Must be written with zero. Contains zeros when read.	
27:24	IGMP_JOIN_STATUS	RW	—	Use for IGMP packet learn in ARL table, define the status	
				0	Indicates entry is empty
				7:1	Indicates entry is dynamic and valid
				14:8	Reserved
23	IGMP_JOIN_LEAKY_EN	RW	0x1	IGMP join address leaky VLAN enable.	
				0	IGMP join address should clear the LEAKY_EN bit in ARL table
				1	IGMP join address should set the LEAKY_EN bit in ARL table
22	IGMP_JOIN_NEW_EN	RW	0	Enable hardware. Add a new address to ARL table when IGMP/MLD join frame are received and remove address from ARL when IGMP/MLD leave frames are received.	
21	ACL_EN	RW	0x0	ACL rule enable. If this bit is set to zero, ACL check is disable.	
20	PPPOE_REDIRECT_EN	RW	0x0	Enable sending PPPoE discovery frames to the CPU. If this bit is set to 1, PPPoE discovery frames are sent to the CPU port. If this bit is set to 0, PPPoE discovery frames are transmitted as normal frames	
19	IGMP_V3_EN	RW	0x0	Set to 1 for hardware to acknowledge IGMP v3 frame and MLD v2 frame, and multicast address can join or leave hardware	
18	IGMP_JOIN_PRI_REMAP_EN	RW	0x0	Use for IGMP packet learning in ARL table. Defines DA priority remap enable	
17:16	IGMP_JOIN_PRI	RW	0x0	Use for IGMP packet learning in ARL table. Defines the DA priority when IGMP_JOIN_PRI_REMAP_EN is enabled.	
15	ARP_EN	RW	0x0	ARP frame acknowledge enable	
14	ARP_REDIRECT_EN	RW	0x0	Used to denote the destination of the redirected ARP frame	
				0	ARP frame redirect to CPU port
				1	ARP frame copy to CPU
13	RIP_COPY_EN	RW	0x0	Choose to copy or not copy the RIP v1 frame	
				0	Do not copy RIP v1 frame to CPU
				1	RIP v1 frame copy to CPU
12	EAPOL_REDIRECT_EN	RW	0x0	Used to process the 802.1x frame	
				0	802.1x frame redirected to CPU
				1	802.1x frame copy to CPU
11	IGMP_COPY_EN	RW	0x0	Used to process the IGMP/MLD frames	
				0	QM will copy IGMP/MLD frames to the CPU port
				1	QM will redirect IGMP/MLD frames to the CPU port
10	PPPOE_EN	RW	0x0	Set to 1 to enable hardware acknowledgement of PPPoE frames	
9:7	RES	RO	0x0	Reserved. Must be written with zero. Contains zeros when read.	
6	MANAGE_VID_VIO_DROP_EN	RW	0x1	Used to configure management frames if a VLAN violation occurs	
				0	Management frames are transmitted out if a VLAN violation occurs
				1	Management frames should be dropped if a VLAN violation occurs
5:0	FLOW_DROP_CNT	RW	0xE	Max free queue could be use after the port has been flow control. Then packets should be drop except the highest priority. Default value 0xE is set to normal packets which length is no more than 1518 bytes. For jumbo frame, 0x21 is commanded.	

### 8.26.13 VLAN Table Function 0

Address Offset: 0x0040

Access: Read/Write

Reset: 0x0

Bit	Bit Name	Type	Description	
31	VT_PRI_EN	RW	When VT_PRI_EN is set, then VT_PRI will replace the VLAN priority in the frame as its QoS classification	
30:28	VT_PRI	RW	When VT_PRI_EN is set, the VT_PRI will replace VLAN priority in the frame as its QoS classification	
27:16	VID	RW	VLAN ID to be added or purged	
15:12	RES	RO	Reserved. Must be written with zero. Contains zeros when read	
11:8	VT_PORT_NUM	RW	Port number to be removed	
7:4	RES	RO	Reserved. Must be written with zero. Contains zeros when read	
3	VT_BUSY	RW	VLAN table is busy. This bit must be set to 1 to start a VT operation and cleared to 0 after the operation is done. If this bit is set to 1, the CPU can not request another operation	
2:0	VT_FUNC	RW	VLAN table operation control	
			000	No operation
			001	Flush all entries
			011	Load an entry. If these bits are set, the CPU will load an entry form the VLAN table
			011	Purge an entry. If these bits are set, the CPU will purge an entry form the VLAN table
			100	Remove a port form the VLAN table. The port number which will be removed is indicted in VT_PORT_NUM
			101	Get the next VID. If VID is 12'b0 and VT_BUSY is set by software, hardware will search for the first valid entry in the VLAN table If VID is 12'b0 and VT_Busy is reset by hardware, then there is no valid entry from VID set by the software
110	Read one entry			

### 8.26.14 VLAN Table Function 1

Address Offset: 0x0044

Access: Read/Write

Reset 0x0

Bit	Bit Name	Type	Description	
31:12	Reserved	RO	Reserved. Must be written with zero. Contains zeros when read	
11	VT_VALID	RW	Used to indicate the validity for the VLAN table	
			0	Indicates the entry is empty
			1	Indicates entry is valid
10:7	Reserved	RO	Reserved. Must be written with zero. Contains zeros when read	
6:0	VID_MEM	RW	VID member in the VLAN table. These bits are used to indicate which ports are members of the VLAN. Bit 0 is assigned to port0, 1 to port1, 2, to port2, and so on.	

### 8.26.15 Address Table Function 0

Address Offset: 0x0050

Access: Read/Write

Reset:0x0

Bit	Bit Name	Type	Description
31:24	AT_ADDR_BYTE4	RW	Byte 4 of the address
23:16	AT_ADDR_BYTE5	RW	The last byte of the address
15:13	RES	RO	Reserved. Must be written with zero. Contains zeros when read
12	AT_FULL_VIO	RW1C	ARL table-full violation. This bit is set to 1 if the ARL table is full when the CPU wants to add a new entry to the ARL table; it can also be set to 1 if the ARL table is empty when the CPU wants to purge and entry to the ARL table.
11:8	AT_PORT_NUM	RW	Port number to be flushed. If AT_FUNC is set to 101, lookup module must flush all the unicast entries for the port (or flush the port from the ARL table)
7:5	RES	RO	Reserved. Must be written with zero. Contains zeros when read
4	FLUSH_STATIC_EN	RW	Used to select dynamic or static ACL entries
			0 When AT_FUNC is set to 101, only dynamic entries in the ARL table will be flushed
			1 When AT_FUNC is set to 101, all static entries in the ARL table can be flushed.
3	AT_BUSY	RW	Address table busy. This bit must be set to 1 to start an AT operation and cleared to 0 when the operation is complete. If this bit is set to 1, the CPU can not request another operation
2:0	AT_FUNC	RW	Address table function
			000 No operation
			001 Flush all entries
			010 Load an entry. If these bits are set to 3'b010, the CPU will load an entry into the ARL table
			011 Purge an entry. If these bits are set, the CPU will purge an entry from the ARL table.
			100 Flush all unlocked entries in the ARL
			101 Flush one port from the ARL table
			110 Get the next valid or static entry in the ARL table If the address and AT_STATUS are all zero, the hardware will search for the first valid entry from entry0 If the address and AT_STATUS is not zero, the hardware will search for the next valid entry whose address is 48'h0. If hardware returns with the address and AT_STATUS all zero, there is no next valid entry in the ARL table.
			111 Search MAC address

### 8.26.16 Address Table Function 1

Address Offset: 0x0054

Access: Read/Write

Reset: 0x0

Bit	Bit Name	Type	Description
31:24	AT_ADDR_BYTE0	RW	The first byte of the address to operate. This byte is the highest byte of the MAC address for the MSB.
23:16	AT_ADDR_BYTE1	RW	The second byte of the address
15:18	AT_ADDR_BYTE2	RW	The third byte of the address
7:0	AT_ADDR_BYTE3	RW	The forth byte of the address

## 8.26.17 Address Table Function 2

Address Offset: 0x0058

Access: Read/Write

Reset: 0x0

Bit	Bit Name	RW	Description	
31:27	RES	RO	Reserved. Must be written with zero. Contains zeros when read	
26	COPY_TO_CPU	RW	Set to 1 so packets received with this address will be copied to the CPU port	
25	REDIRECT_TO_CPU	RW	Set to 1 so packets received with this address will be redirected to the CPU port. If no CPU is connected to the switch, this packet will be discarded	
24	LEAKY_EN	RW	Setting this bit to 1 enables leaky VLANs for this MAC address. This bit can be used for unicast and multicast frames, control by ARL_UNI_LEAKY_EN and ARL_MULTI_LEAKY_EN	
23:20	RES	RO	Reserved. Must be written with zero. Contains zeros when read	
19:16	AT_STATUS	RW	Destination address status, associated to STATUS bits in the address table	
			0	Indicates entry is empty
			7:1	Indicates the entry is dynamic and valid
			14:8	Reserved
15	MAC_CLONE	RW	MAC clone address. Set to 1 to clone this MAC address. CPU cannot age-out. Other ports learn and age as normal. If DA and VID result is CPU port, send the packet to normal ports only.	
			15	Indicates entry is static and won't be aged out or changed by the hardware.
14	SA_DROP_EN	RW	SA drop enable Drop packet enable when source address in this entry. If this bit is set to 1, the packet with an Source Address (SA) of this entry will be dropped	
13	MIRROR_EN	RW	Port mirror enable	
			0	Indicates packet will be sent only to the destination port
			1	Indicates packets will be sent to the mirror port and the destination port.
12	AT_PRIORITY_EN	RW	DA priority enable Set to 1 to indicate AT_PRIORITY can override any other priority determined by the frame's data	
11:10	AT_PRIORITY	RW	DA priority These priority bits can be used as a frame's priority when AT_PRIORITY_EN is set to one.	
9	HASH_HIGH_ADDR	RW	MAC hash address max bit, used for CPU_FUNC (get next valid)	
8	CROSS_PORT_STATE_EN	RW	Set to 1 to enable cross PORT_STATE.	
7	RES	RW	Reserved. Must be written with zero. Contains zeros when read	
6:0	DES_PORT	RW	Destination port bits for address. These bits indicate which ports are associated with the MAC address when they are set to one. Bit 0 is assigned to port 0, 1 to port1, 2 to port2, and so on.	

### 8.26.18 Address Table Control

Address Offset: 0x005C

Access: Read/Write

Reset: See field description

Bit	Bit Name	Type	Reset	Description	
31:27	RES	RO	0x0	Reserved. Must be written with zero. Contains zeros when read	
26:24	LOOP_CHECK_TIMER	RW	0x0	Used to set the loop back timer	
				0	Disable loop back check
				1	1 ms
				2	10 ms
				3	100 ms
				4	500 ms
7:5	Reserved				
23	RES	RO	0x0	Reserved. Must be written with zero. Contains zeros when read	
22	VID_4095_DROP_EN	RW	0x0	Set to 1 to drop a frame with VID = 'd4095i, if received by the switch	
21	SWITCH_STAG_MODE	RW	0x0	Select switch work VLAN mode.	
				0	S-TAG mode
				1	C-TAG mode
20:19	RES	RW	0x0	Reserved. Must be written with zero. Contains zeros when read	
18	LEARN_CHANGE_EN	RW	0x0	Used to select new address learning due to a hash violation.	
				0	If a hash violation occur when learning, no new address be learned to ARL.
				1	Enable new MAC address change if a hash violation occurs when learning
17	AGE_EN	RW	0x1	Enable age operation. Set to 1 to use the lookup module to age the address in the address table.	
16	RES	RO	0x0	Reserved. Must be written with zero. Contains zeros when read	
15:0	AGE_TIME	RW	0x2B	Address Table Age Timer. These bits determine the time that each entry remains valid in the address table, since last accessed. For the time is times 7s, maximum age time is about 10,000 minutes. The default value is 'h2B for five minutes. If AGE_EN is set to 1, these bits should not be set to zero.	

**8.26.19IP Priority Mapping 2**

Address Offset: 0x0060,0x0064,0x0068,0x006C

Access: Read/Write

Reset: 0x0

Offset	Bit	Bit Name	Type	Reset	Description
0x0060	31:30	IP_0x3C	RW	0x0	Priority mapping value of IPv4 ToS or IPv6 TC field.  Bit[7] to Bit[2] are used to map queue priority, but bit1 and bit0 are ignored.  If ToS[7:2] or TC[7:2] is equal to 0x3C, the queue priority should be mapped to value of these bits.
	29:28	IP_0x38	RW	0x0	
	27:26	IP_0x34	RW	0x0	
	25:24	IP_0x30	RW	0x0	
	23:22	IP_0x2C	RW	0x0	
	21:20	IP_0x28	RW	0x0	
	19:18	IP_0x24	RW	0x0	
	17:16	IP_0x20	RW	0x0	
	15:14	IP_0x1C	RW	0x0	
	13:12	IP_0x18	RW	0x0	
	11:10	IP_0x14	RW	0x0	
	9:8	IP_0x10	RW	0x0	
	7:6	IP_0x0C	RW	0x0	
	5:4	IP_0x08	RW	0x0	
	3:2	IP_0x04	RW	0x0	
1:0	IP_0x00	RW	0x0		
0x0064	31:30	IP_0x7C	RW	0x1	Priority mapping value of IPv4 TOS or IPv6 TC field Bits [7:2] map queue priority, but bits [1:0] are ignored.  If TOS[7:2] or TC[7:2] is equal to 0x3C, the queue priority should be mapped to value of these bits.
	29:28	IP_0x78	RW	0x1	
	27:26	IP_0x74	RW	0x1	
	25:24	IP_0x70	RW	0x1	
	23:22	IP_0x6C	RW	0x1	
	21:20	IP_0x68	RW	0x1	
	19:18	IP_0x64	RW	0x1	
	17:16	IP_0x60	RW	0x1	
	15:14	IP_0x5C	RW	0x1	
	13:12	IP_0x58	RW	0x1	
	11:10	IP_0x54	RW	0x1	
	9:8	IP_0x50	RW	0x1	
	7:6	IP_0x4C	RW	0x1	
	5:4	IP_0x48	RW	0x1	
	3:2	IP_0x44	RW	0x1	
1:0	IP_0x40	RW	0x1		



Offset	Bit	Bit Name	Type	Reset	Description
0x0068	31:30	IP_0xBC	RW	0x2	Priority mapping value of IPv4 TOS or IPv6 TC field Bits [7:2] map queue priority, but bits [1:0] are ignored.
	29:28	IP_0xB8	RW	0x2	
	27:26	IP_0xB4	RW	0x2	If TOS[7:2] or TC[7:2] is equal to 0x3C, the queue priority should be mapped to value of these bits.
	25:24	IP_0xB0	RW	0x2	
	23:22	IP_0xAC	RW	0x2	
	21:20	IP_0xA8	RW	0x2	
	19:18	IP_0xA4	RW	0x2	
	17:16	IP_0xA0	RW	0x2	
	15:14	IP_0x9C	RW	0x2	
	13:12	IP_0x98	RW	0x2	
	11:10	IP_0x94	RW	0x2	
	9:8	IP_0x90	RW	0x2	
	7:6	IP_0x8C	RW	0x2	
	5:4	IP_0x88	RW	0x2	
	3:2	IP_0x84	RW	0x2	
1:0	IP_0x80	RW	0x2		
0x006C	31:30	IP_0xFC	RW	0x3	Priority mapping value of IPv4 TOS or IPv6 TC field Bits [7:2] map queue priority, but bits [1:0] are ignored.
	29:28	IP_0xF8	RW	0x3	
	27:26	IP_0xF4	RW	0x3	If TOS[7:2] or TC[7:2] is equal to 0x3C, the queue priority should be mapped to value of these bits.
	25:24	IP_0xF0	RW	0x3	
	23:22	IP_0xEC	RW	0x3	
	21:20	IP_0xE8	RW	0x3	
	19:18	IP_0xE4	RW	0x3	
	17:16	IP_0xE0	RW	0x3	
	15:14	IP_0xDC	RW	0x3	
	13:12	IP_0xD8	RW	0x3	
	11:10	IP_0xD4	RW	0x3	
	9:8	IP_0xD0	RW	0x3	
	7:6	IP_0xCC	RW	0x3	
	5:4	IP_0xC8	RW	0x3	
	3:2	IP_0xC4	RW	0x3	
1:0	IP_0xC0	RW	0x3		

### 8.26.20 Tag Priority Mapping

Address Offset: 0x0070

Access: Read/Write

Reset: See field description

Bit	Bit Name	Type	Reset	Description
31:16	RES	RO	0x0	Reserved. Must be written with zero. Contains zeros when read
15:14	TAG_0X07	RW	0x3	Priority mapping value of TAG.  If pri[2:0] in the tag is equal to 0x07, the queue priority should be mapped to value of these bits.
13:12	TAG_0X06	RW	0x3	
11:10	TAG_0X05	RW	0x2	
9:8	TAG_0X04	RW	0x2	
7:6	TAG_0X03	RW	0x1	
5:4	TAG_0X02	RW	0x1	
3:2	TAG_0X01	RW	0x0	
1:0	TAG_0X00	RW	0x0	

### 8.26.21 Service Tag

Address Offset: 0x0074

Access: Read/Write

Reset: See field description

Bit	Bit Name	Type	Reset	Description
31:16	RES	RO	0x0	Reserved. Must be written with zero. Contains zeros when read
15:0	SERVICE_TAG	RW	0x88A8	Service tag. These bits are used to recognize double tagged packets at ingress and inserts double tags on egress.

### 8.26.22 CPU Port

Address Offset: 0x0078

Access: Read/Write

Reset: See field description

Bit	Bit Name	Type	Reset	Description	
31:9	RES	RO	0x0	Reserved. Must be written with zero. Contains zeros when read	
8	CPU_PORT_EN	RW	0x0	Used to enable the CPU port	
				0	No CPU is connected to switch
				1	CPU is connected to port0
7:4	MIRROR_PORT_NUM	RW	0xF	Port number which packet should be mirrored to. 0 is port0, 1 is port1, etc. If the value is more than 4, no mirror port is connected to the switch	
3:0	RES	RO	0x0	Reserved. Must be written with zero. Contains zeros when read	

### 8.26.23 MIB Function 0

Address Offset: 0x0080

Access: Read/Write

Reset: See field Description

Bit	Bit Name	Type	Reset	Description	
31	RES	RW	0x0	Reserved. Must be written with zero. Contains zeros when read	
30	MIB_EN	RW	0x0	Set to 1 to enable the MIB count If this bit set to zero, the MIB module will not count.	
29:27	RES	RO	0x0	Reserved. Must be written with zero. Contains zeros when read	
26:24	MIB_FUNC	RW	0x0	Used to set the MIB counters	
				000	No operation
				001	Flush all counters for all ports
				010	Reserved
				011	Capture all counters for all ports and auto-cast to CPU port
1xx	Reserved				
23:18	RES	RO	0x0	Reserved. Must be written with zero. Contains zeros when read	
17	MIB_BUSY	RW	0x0	Configures the MIB setting when busy	
				0	MIB module is busy now, and cannot access another new command
				1	MIB module is empty now, and can access new command
16	MIB_AT_HALF_EN	RW	0x1	MIB auto-cast enable due to half flow. If this bit is set to 1, MIB would be auto-cast when any counter's highest bit count to 1.	
15:0	MIB_TIMER	RW	0x15	MIB auto-cast timer. If these bits are set to zero, MIB will not auto-cast due to timer time out. The timer is set in multiples of 8.4 ms, and the recommended value is 'h100.	

### 8.26.24 MDIO Control

Address Offset: 0x0098

Access: Read/Write

Reset: 0x0

Bit	Bit Name	Type	Description	
31	MDIO_BUSY	RW	Set to 1 if the internal MDIO interface is busy. This bit should be set to 1 when CPU reads or writes PHY register through the internal MDIO interface, and should be cleared after hardware finish the command.	
30	MDIO_MASTER_EN	RW	Set to 1 to use the MDIO master to configure the PHY register. MDC should be changed to internal MDC to PHY.	
29:28	RES	RO	Reserved. Must be written with zero. Contains zeros when read	
27	MDIO_CMD	RW	Denotes the current MDIO command	
			0	Write
			1	Read
26	MDIO_SUP_PRE	RW	Set to 1 to enable suppose preamble	
25:21	PHY_ADDR	RW	PHY address	
20:16	REG_ADDR	RW	PHY register address	
15:0	MDIO_DATA	RW	When write, these bits are data written to the PHY register. When read, these bits are data read out from the PHY register.	

## 8.26.25 LED Control

Address Offset: 0x00B0, 0x00B4, 0x00B8, 0x00BC

This register can be reset by hardware only.

Access: Read/Write

Reset: See field description

Offset	Bit	Bit Name	Type	Reset	Description								
0x00B0	31:16	LED_CTRL_RULE_1	RW	0XC935	WAN port LED_LINK1000n_4 control rule								
	15:0	LED_CTRL_RULE_0	RW	0xC935	LAN port LED_LINK1000n_[3:0] control rule								
0x00B4	31:16	LED_CTRL_RULE_3	RW	0xCA35	WAN port LED_LINK100n_4 control rule								
	15:0	LED_CTRL_RULE_2	RW	0xCA35	LAN port LED_LINK100n_[3:0] control rule								
0x00B8	31:16	RES	RW	0x0	Reserved. Must be written with zero. Contains zeros when read								
	15:0	MAC_LED_CTRL_RULE	RW	0xCF35	MAC LED control rule [15:14] only control pattern enable for port0, other LAN ports controlled by MAC_LED_PATTERN_EN_**.								
0x00BC	31:26	RES	RO	0x0	Reserved. Must be written with zero. Contains zeros when read.								
	25:24	LED_PATTERN_EN_31	RW	0x3	Pattern enable for port3 LED1								
	23:22	LED_PATTERN_EN_30	RW	0x3	Pattern enable for port3 LED0								
	21:20	LED_PATTERN_EN_21	RW	0x3	Pattern enable for port2 LED0								
	19:18	LED_PATTERN_EN_20	RW	0x3	Pattern enable for port2 LED0								
	17:16	LED_PATTERN_EN_11	RW	0x3	Pattern enable for port1 LED1								
	15:14	LED_PATTERN_EN_10	RW	0x3	Pattern enable for port1 LED0								
	13:12	MAC_LED_PATTERN_EN_6	RW	0x3	LED control pattern for MAC6								
	11:10	MAC_LED_PATTERN_EN_5	RW	0x3	LED control pattern for MAC5								
	9:2	RES	RW	0x0	Reserved. Must be written with zero. Contains zeros when read.								
	1:0	BLINK_HIGH_TIME	RW	0xCF35	When the LED is blinking, these bits determine the LED light time <table border="1" data-bbox="803 1617 1380 1795"> <tr> <td>00</td> <td>50% of blinking period. 250 ms for 2 Hz, 125 ms for 4 Hz, 62.5 ms for 8 Hz</td> </tr> <tr> <td>01</td> <td>12.5%</td> </tr> <tr> <td>10</td> <td>25%</td> </tr> <tr> <td>11</td> <td>75%</td> </tr> </table>	00	50% of blinking period. 250 ms for 2 Hz, 125 ms for 4 Hz, 62.5 ms for 8 Hz	01	12.5%	10	25%	11	75%
	00	50% of blinking period. 250 ms for 2 Hz, 125 ms for 4 Hz, 62.5 ms for 8 Hz											
01	12.5%												
10	25%												
11	75%												

## 8.27 Port Control Registers 0x0100–0x0124

Table summarizes the port control registers.

**Table 8-32. Port Control Registers Summary**

Port	Offset	Name	Page
<b>Port 0</b>	<b>0x0100–0x01FC</b>	<b>Total Port 0 Control Memory Allocation</b>	
	0x0100	Port Status	page 430
	0x0104	Port Control	page 431
	0x0108	Port-Based VLAN	page 433 page 434
	0x0110	Priority Control	page 436
	0x0114	Storm Control	page 436
	0x0118	Queue Control	page 437
	0x010C, 0x011C, 0x0120	Rate Limits	page 438
<b>Port 1</b>	<b>0x0200–0x01FC</b>	<b>Total Port 1 Control Memory Allocation</b>	
	0x0200	Port Status	page 430
	0x0204	Port Control	page 431
	0x0208	Port-Based VLAN	page 433
	0x0210	Priority Control	page 436
	0x0214	Storm Control	page 436
	0x0218	Queue Control	page 437
	0x020C, 0x021C, 0x0220	Rate Limits	page 438
<b>Port 2</b>	<b>0x0300–0x03FC</b>	<b>Total Port 2 Control Memory Allocation</b>	
	0x0300	Port Status	page 430
	0x0304	Port Control	page 431
	0x0308	Port-Based VLAN	page 433
	0x0310	Priority Control	page 436
	0x0314	Storm Control	page 436
	0x0318	Queue Control	page 437
	0x030C, 0x031C, 0x0320	Rate Limits	page 438
<b>Port 3</b>	<b>0x0400–0x04FC</b>	<b>Total Port 3 Control Memory Allocation</b>	
	0x0400	Port Status	page 430
	0x0404	Port Control	page 431
	0x0408	Port-Based VLAN	page 433
	0x0410	Priority Control	page 436
	0x0414	Storm Control	page 436
	0x0418	Queue Control	page 437
	0x040C, 0x041C, 0x0420	Rate Limits	page 438
<b>Port 4</b>	<b>0x0500–0x05FC</b>	<b>Total Port 4 Control Memory Allocation</b>	
	0x0500	Port Status	page 430
	0x0504	Port Control	page 431
	0x0508	Port-Based VLAN	page 433
	0x0510	Priority Control	page 436
	0x0514	Storm Control	page 436
	0x0518	Queue Control	page 437
	0x050C, 0x051C, 0x0520	Rate Limits	page 438

Table 8-32. Port Control Registers Summary (continued)

Port	Offset	Name	Page
Port 5	0x0600–0x06FC	Total Port 5 Control Memory Allocation	
	0x0600	Port Status	page 430
	0x0604	Port Control	page 431
	0x0608	Port-Based VLAN	page 433
	0x0610	Priority Control	page 436
	0x0614	Storm Control	page 436
	0x0618	Queue Control	page 437
	0x060C, 0x061C, 0x0620	Rate Limits	page 438

### 8.27.1 Port Status

Address Offset:

Port 0: 0x0100, Port 1: 0x0200 Port 2: 0x0300,  
Port 3: 0x0400, Port 4: 0x0500, Port 5: 0x0600

Access: Read/Write

Reset: See field description

Bit	Bit Name	Type	Reset	Description	
31:13	RES	RO	0x0	Reserved. Must be written with zero. Contains zeros when read.	
12	FLOW_LINK_EN	RW	0x1	PHY link mode enable.	
				0	Enable MAC flow control. Configures auto-negotiation with the PHY.
				1	MAC can be configured by software
11	LINK_ASYN_PAUSE_EN	RO	0x0	Link partner support ASYN flow control	
10	LINK_PAUSE_EN	RO	0x0	Link partner support flow control	
9	LINK_EN	RW	0x1	PHY link mode enable	
				0	Software can configure the MAC
				1	Enable PHY link status to configure the MAC
8	LINK	RO	0x0	Link status	
				0	PHY link down
				1	PHY link up
7	TX_HALF_FLOW_EN	RW	0x1	Set to 1 to enable flow control, transmitting in half-duplex mode	
6	DUPLEX_MODE	RW	0x0	Duplex mode	
				0	Half-duplex mode
				1	Full-duplex mode
5	RX_FLOW_EN	RW	0x0	Enables RXMAC Flow Control	
4	TX_FLOW_EN	RW	0x0	Enables TXMAC Flow Control	
3	RXMAC_EN	RW	0x0	RXMAC enable	
2	TXMAC_EN	RW	0x0	TXMAC enable	
1:0	SPEED	RW	0x0	Speed mode	
				00	10 Mbps
				01	100 Mbps
				10	1000 Mbps
				11	Error speed mode

### 8.27.2 Port Control

Address Offset:

**Port 0:** 0x0104, **Port 1:** 0x0204 **Port 2:** 0x0304,

**Port 3:** 0x0404, **Port 4:** 0x0504, **Port 5:** 0x0604

Access: Read/Write

Reset: See field description

Bit	Bit Name	Type	Reset	Description	
31:24	RES	RO	0x0	Reserved. Must be written with zero. Contains zeros when read.	
23	EAPOL_EN	RW	0x0	Set to 1 so hardware acknowledges 802.1x frames, and sends a frame copy, or redirects to CPU controlled by EAPAL_REDIRECT_EN	
22	ARP_LEAKY_EN	RW	0x0	Sets the VLAN rule for ARP frames entering VLANs	
				0	ARP frame cannot cross VLANs
				1	If the MAC receives an ARP frame from this port, it can cross all VLANs (including port base VLAN and 802.1q)
21	IGMP_LEAVE_EN	RW	0x0	Set to 1 to enable IGMP/MLD fast leave	
20	IGMP_JOIN_EN	RW	0x0	Set to 1 to enable MLD hardware join	
19	DHCP_EN	RW	0x0	Set to 1 to enable acknowledgement of DHCP frames	
18	IPG_DEC_EN	RW	0x0	Set to 1 mac will decrease two bytes of IPG when sending out frames and receiving checks.	
17	ING_MIRROR_EN	RW	0x0	Ingress port mirror. If this bit is set to 1, all packets received from this port will be copied to the mirror port.	
16	EG_MIRROR_EN	RW	0x0	Egress port mirror. If this bit is set to 1, all packets send out through this port should be copied to the mirror port.	
15	RES	RW	0x0	Reserved. Must be written with zero. Contains zeros when read.	
14	LEARN_EN	RW	0x1	Enable learn operation. Set to 1 to enable the lookup module to learn new address in the address table.	
13	RES	RW	0x0	Reserved. Must be written with zero. Contains zeros when read.	
12	MAC_LOOP_BACK	RW	0x0	Set to 1 to enable MAC loop back at MII interface	
11	HEAD_EN	RW	0x0	Enables frames transmitted out and received to add the Atheros header. If this bit is set to 1, all frames transmitted and received will add 2 bytes of the Atheros header.	
10	IGMP_MLD_EN	RW	0x0	IGMP/MLD snooping enable. If this bit is set to 1'b1, the port will examine all received frames and copy or redirect to CPU port controlled by IGMP_COPY_EN.	
9:8	EG_VLAN_MODE	RW	0x0	Egress VLAN mode.	
				00	Egress transmits frames unmodified.
				01	Egress transmits frames without VLAN
				10	Egress transmits frames with VLAN
7	LEARN_ONE_LOCK	RW	0x0	Used to configure the learning mode for source addresses	
				0	Normal learning mode
				1	This port should not learn the source address, except the first packet, and locked the address to static.

Bit	Bit Name	Type	Reset	Description	
6	PORT_LOCK_EN	RW	0x0	Set to 1 to enable port lock. All packets received with a source address not in the ARL table or the source address is in the ARL table but no port members are the source port will redirect packets to the CPU or be dropped. Controlled by LOCK_DROP_EN.	
5	LOCK_DROP_EN	RW	0x0	Used to configure the port lock	
				0	If the source address is not in the ARL table or the source address is in the ARL but no port member is the source port, the packet should be redirected to the CPU when PORT_LOCK_EN is set to 1.
				1	If the source address is not in the ARL table or the source address is in the ARL but no port member is the source port, the packet will be dropped when PORT_LOCK_EN is set to 1.
4:3	RES	RO	0x0	Reserved. Must be written with zero. Contains zeros when read.	
2:0	PORT_STATE	RW	0x4	Port State. These bits are used to manage the port to determine what kind of frames are allowed to enter or leave the port for simple bridge loop detection or 803.1D Spanning Tree.	
				000	Disable mode. The port is completely disabled, and cannot receive or transmit any frames.
				001	Blocking Mode. In this state, the port forwards received management frames to the designed port only. Any other frames cannot be transmitted or received by the port, and without learning any source address.
				010	Listening Mode. In this state, the port will receive and transmit only management frames, but without learning any source address. Any other frames cannot be transmitted or received by the port.
				011	Learning Mode. In this state, the port will learning all source addresses, and discard all frames except management frames, and only management frames are allowed to be transmitted out.
				100	Forward Mode. In this state, the port will learning all source addresses, transmit and receive all frames as normal.



### 8.27.3 Port-Based VLAN

Address Offset:

**Port 0:** 0x0108, **Port 1:** 0x0208 **Port 2:** 0x0308,

**Port 3:** 0x0408, **Port 4:** 0x0508, **Port 5:** 0x0608

Access: Read/Write

Reset: See field description

Bit	Bit Name	Type	Reset	Description	
31:29	ING_PORT_PRI	RW	0x0	Port default priority for received frames.	
28	FORCE_PORT_VLAN_EN	RW	0x0	Set to 1 to force enable using port-base VLANs. If this bit is set to 1, use port-base VLANs and use this table to determine the destination port.	
27:16	PORT_DEFAULT_CVID	RW	0x1	Port Default VID. This field is used as Tagged VID added to untagged frames when transmitted from this port.	
15	PORT_CLONE_EN	RW	0x0	Used to set the port cloning mechanism	
				0	Enable port replace
				1	Enable port cloning
14	PORT_VLAN_PROP_EN	RW	0x0	Set to 1 to enable the port-base VLAN propagation function.	
13	PORT_TLS_MODE	RW	0x0	Used to set the port TLS mode	
				0	Port works in TLS mode
				1	Port works in NON-TLS mode
12	FORCE_DEFAULT_VID_EN	RW	0x0	Used to set the default VID for received frames	
				0	Use frame tags only
				1	Force using port default VID and priority for received frames, when 802.1Q mode is not disabled.
11:0	PORT_DEFAULT_SVID	RW	0x1	Port Default VID. This field is used to add Tagged VIDs to untagged frames when received from this port.	

## 8.27.4 Port-Based VLAN 2

Address Offset:

**Port 0:** 0x010C, **Port 1:** 0x020C **Port 2:** 0x030C,**Port 3:** 0x040C, **Port 4:** 0x050C, **Port 5:** 0x060C

Access: Read/Write

Reset: See field description

Bit	Bit Name	Reset	Description	
31:30	802.1Q_MODE	0x0	Used to set the 802.1Q mode for this port	
			00	802.1Q disable. Use port base VLAN only.
			01	Fallback. Enable 802.1Q for all received frames. Do not discard ingress membership violations and use the port base VLAN if the frame's VID is not contained in the VLAN Table.
			10	Check. Enable 802.1Q for all received frames. Do not discard ingress membership violations but discard frames when the VID is not contained in the VLAN Table.
			11	Secure. Enable 802.1Q for all received frames. Discard frames with ingress membership violations or whose VID is not contained in the VLAN Table.
29	CORE_PORT_EN	0x0	Used to enable core ports	
			0	Edge port
			1	Core port
28:27	ING_VLAN_MODE	0x0	Use to configure types of packets that can be received in the VLAN	
			00	All frames can be received, including untagged and tagged
			01	Only frames with tags can be received by this port
			10	Only untagged frames can be received by this port, including no VLAN and priority VLAN.
			11	Reserved
26:24	RES	0x0	Reserved. Must be written with zero. Contains zeros when read.	
23	VLAN_PRI_PRO_EN	0x0	Set to 1 to enable VLAN priority propagation	
22:16	PORT_VID_MEM	Port0:	Port base VLAN member.	
		111110	Each bit restricts to which port frames can be sent. To send frames to port0, bit	
		Port1:	16 must be set to 1, etc. These bits are set to one after reset except the port's bit.	
		111101	This prevents frames going out the port they were received in.	
15	RES	0x0	Reserved. Must be written with zero. Contains zeros when read.	
14	UNI_LEAKY_EN	0x0	Enable unicast frame leaky VLANs	
			Also use this bit and LEAKY_EN bit in the ARL table to control unicast leaky VLAN. If the MAC receives unicast frames from this port, which should forward packets as a leaky VLAN, the frame could be switched to the destination port defined in ARL table and cross all VLANs (including port base and 802.1q).	
			0	Only UNI_LEAKE_EN controls unicast frame leaky VLANs
13	MULTI_LEAKY_EN	0x0	Enables multicast frame leaky VLAN. Also use ARL_MULTI_LEAKY_EN and LEAKY_EN bit in the ARL table to control unicast leaky VLAN. If the MAC receives multicast frames from this port which should forward as leaky VLAN, the frame could be switched to a destination port defined in the ARL table, and cross all VLANs (include port-base VLANs and 802.1q).	
			0	Only MULTI_LEAKE_EN controls multicast frame leaky VLANs
			1	Only frames with the destination address (DA) in the ARL table with LEAKY_EN bit set to 1, can be forwarded as leaky VLANs. Ignore MULTI_LEAKE_EN.
12:0	RES	0x0	Reserved. Must be written with zero. Contains zeros when read.	

### 8.27.5 Rate Limit

Address Offset:

**Port 0:** 0x0110, **Port 1:** 0x0210 **Port 2:** 0x0310,  
**Port 3:** 0x0410, **Port 4:** 0x0510, **Port 5:** 0x0610

Access: Read/Write

Reset: See field description

Bit	Bit Name	Type	Reset	Description
31:24	ADD_RATE_BYTE	RW	0x18	Byte number should be added to a frame when calculating the rate limit. The default is 24 bytes for IPG, preamble, CRC and SFD.
23	EGRESS_RATE_EN	RW	0x0	Enable port-base rate limit. Rate should be set at EG_PRI3_RATE. Enables port-based rate limit. EG_PRI3_RATE is duplicated for port-based and queue-based) Also enables port-based max burst size. Max burst size should be set at max_burst_size_pri3. (Enables port-based max burst size. MAX_BURST_SIZE_PRI3 is duplicated for port based and queue based
22	EGRESS_MANAGE_RATE_EN	RW	0x0	Enables management frames to be calculated to the egress rate limit
21	INGRESS_MANAGE_RATE_EN	RW	0x0	Enables management frames to be calculated to the ingress rate limit
20	INGRESS_MULTI_RATE_EN	RW	0x0	Enables calculating the ingress rate limit of multicast frames in which the destination address (DA) can be found in ARL table
19:15	RES	RO	0x0	Reserved. Must be written with zero. Contains zeros when read.
14:0	ING_RATE	RW	0x7FFF	Ingress Rate Limit for all priorities. The rate is limited to configurations of steps of 32 Kbps. Default 15'h7FFF is used to disable rate limit for egress priority 2. If these bits are set to 15'h0, no frame should be received from this port.

### 8.27.6 Priority Control

Address Offset:

**Port 0:** 0x0114, **Port 1:** 0x0214 **Port 2:** 0x0314,

**Port 3:** 0x0414, **Port 4:** 0x0514, **Port 5:** 0x0614

Access: Read/Write

Reset: See field description

Bit	Bit Name	Reset	Description
31:20	RES	0x0	Reserved. Must be written with zero. Contains zeros when read.
19	PORT_PRI_EN	0x1	Set to 1 so port base priority can be used for QOS.
18	DA_PRI_EN	0x0	Set to 1 so DA priority can be used for QOS.
17	VLAN_PRI_EN	0x0	Set to 1 so VLAN priority can be used for QOS.
16	IP_PRI_EN	0x0	Set to 1 for TOS/TC to be used for QOS.
15:8	RES	0x0	Reserved. Must be written with zero. Contains zeros when read.
7:6	DA_PRI_SEL	0x0	DA priority selected level for QOS. There are five levels priority for QOS. The highest is priority in packet header. The others are selected by these bits. If these bits are set to zero, DA priority is selected after header. If these bits are set to n, DA priority is selected after the priority is set to n-1.
5:4	VLAN_PRI_SEL	0x1	VLAN priority selected level for QOS.
3:2	IP_PRI_SEL	0x2	IP priority selected level for QOS.
1:0	PORT_PRI_SEL	0x3	Port-base priority selected level for QOS

### 8.27.7 Storm Control

Address Offset:

**Port 0:** 0x0118, **Port 1:** 0x0218 **Port 2:** 0x0318,

**Port 3:** 0x0418, **Port 4:** 0x0518, **Port 5:** 0x0618

Access: Read/Write

Reset: 0x0

Bit	Bit Name	Description
31:11	RES	Reserved. Must be written with zero. Contains zeros when read.
10	MULTI_STORM_EN	Set to 1 to enable unknown multicast frames to be calculated towards storm control
9	UNI_STORM_EN	Set to 1 to enable unknown unicast frame to be calculated towards storm control
8	BROAD_STORM_EN	Set to 1 to enable broadcast frames to be calculated towards storm control
7:4	RES	Reserved. Must be written with zero. Contains zeros when read.
3:0	STORM_RATE	Storm control rate
	0x0	Storm control disable
	0x1	1K frames per second
	0x2	2K frame per second
	0x3	4K frame per second
	0x4	8K frame per second
	0x5	16K frame per second
	0x6	32K frame per second
	0x7	64K frame per second
	...	...
	0xB	1M frame per second

### 8.27.8 Queue Control

Address Offset:

**Port 0:** 0x011C, **Port 1:** 0x021C, **Port 2:** 0x031C,

**Port 3:** 0x041C, **Port 4:** 0x051C, **Port 5:** 0x061C

Access: Read/Write

Reset: See field description

Bit	Bit Name	Type	Reset	Description	
31:28	ING_BUF_NUM	RW	Port 0: 0x6 Other Ports: 0x2	Buffer number is times of 4	
				0x0	0
				0x1	No more than 4
				0x2	No more than 8
				0xF	No more than 60
27:26	RES	RO	0x0	Reserved. Must be written with zero. Contains zeros when read.	
25	PORT_QUEUE_CTRL_EN	RW	0x1	Set to 1 to enable using PORT_QUEUE_NUM to control queue depth in this port.	
24	PRI_QUEUE_CTRL_EN	RW	0x1	Set to 1 to enable using PRI*_QUEUE_NUM to control queue depth in this port.	
23:22	RES	RO	0x0	Reserved. Must be written with zero. Contains zeros when read.	
21:16	PORT_QUEUE_NUM	RW	0x2A	Most buffers can be used for this port. Buffer number is set in multiples of 4.	
				0x0	0
				0x1	No more than 4
				0x2	No more than 8
				0x1F	No more than 252
15:12	PRI3_QUEUE_NUM	RW	0x8	Most buffer can be used for priority 3 queue. Buffer number is set in multiples of 4.	
				0x0	0
				0x1	No more than 4
				0x2	No more than 8
				0xF	No more than 60
11:8	PRI2_QUEUE_NUM	RW	0x8	Most buffer can be used for priority 2 queue. Buffer number is set in multiples of 4.	
				0x0	0
				0x1	No more than 4
				0x2	No more than 8
				0xF	No more than 60
7:4	PRI1_QUEUE_NUM	RW	0x8	Most buffer can be used for priority 1 queue. Buffer number is set in multiples of 4.	
				0x0	0
				0x1	No more than 4
				0x2	No more than 8
				0xF	No more than 60
3:0	PRIO_QUEUE_NUM	RW	0x8	Most buffer can be used for priority 0 queue. Buffer number is set in multiples of 4.	
				0x0	0
				0x1	No more than 4
				0x2	No more than 8
				0xF	No more than 60

**8.27.9 Rate Limit 1**

Address Offset:

**Port 0:** 0x0120, **Port 1:** 0x0220, **Port 2:** 0x0320,**Port 3:** 0x0420, **Port 4:** 0x0520, **Port 5:** 0x0620

Access: Read/Write

Reset: See field description

Bit	Bit Name	Type	Reset	Description
31	RES	RO	0x0	Reserved. Must be written with zero. Contains zeros when read.
30:16	EG_PRI1_RATE	RW	0x7FFF	Egress Rate Limit for priority 1. Rate is limited to multiples of 32 Kbps. Default 0x7FFF is for disable rate limit for egress priority 2. If these bits are set to 0x0, no priority 1 frame should be send out from this port.
15	RES	RO	0x0	Reserved. Must be written with zero. Contains zeros when read.
14:0	EG_PRI0_RATE	RW	0x7FFF	Egress Rate Limit for priority 0. Rate is limited to multiples of 32 Kbps. Default 0x7FFF is for disable rate limit for egress priority 2. If these bits are set to 0x0, no priority 0 frame should be send out from this port.

**8.27.10 Rate Limit 2**

Address Offset:

**Port 0:** 0x0124, **Port 1:** 0x0224, **Port 2:** 0x0324,**Port 3:** 0x0424, **Port 4:** 0x0524, **Port 5:** 0x0624

Access: Read/Write

Reset: See field description

Bit	Bit Name	Type	Reset	Description
31	RES	RO	0x0	Reserved. Must be written with zero. Contains zeros when read.
30:16	EG_PRI3_RATE	RW	0x7FFF	Egress Rate Limit for priority 3. Rate is limited to times of 32 Kbps. Default 0x7FFF is for disable rate limit for egress priority 2. If these bits are set to 0x0, no priority 3 frame should be send out from this port.
15	RES	RO	0x0	Reserved. Must be written with zero. Contains zeros when read.
14:0	EG_PRI2_RATE	RW	0x7FFF	Egress Rate Limit for priority 2. Rate is limited to times of 32 kbps. Default 0x7FFF is for disable rate limit for egress priority 2. If these bits are set to 0x0, no priority 2 frame should be send out from this port.

### 8.27.11 Rate Limit 3

Address Offset:

**Port 0:** 0x0128, **Port 1:** 0x0228, **Port 2:** 0x0328,  
**Port 3:** 0x0428, **Port 4:** 0x0528, **Port 5:** 0x0628

Access: Read/Write

Reset: 0x0

Bit	Bit Name	Type	Description	
31:3	RES	RO	Reserved. Must be written with zero. Contains zeros when read.	
2:0	EG_TIME_SLOT	RW	Egress rate limit time slot control register	
			0x0	1/128 ms
			0x1	1/64 ms
			0x2	1/32 ms
			0x3	1/16 ms
			0x4	1/4 ms
			0x5	1 ms
			0x6	10 ms
0x7	100 ms			

### 8.27.12 Robin

Address Offset:

**Port 0:** 0x012C, **Port 1:** 0x022C, **Port 2:** 0x032C,  
**Port 3:** 0x042C, **Port 4:** 0x052C, **Port 5:** 0x062C

Access: Read/Write

Reset: See field description

Bit	Bit Name	Type	Reset	Description	
31	RES	RW	0x0	Reserved. Must be written with zero. Contains zeros when read.	
30:29	WEIGHT_PRI_CTRL	RW	0x0	Used to set the queue weight priority	
				00	Strict priority
				01	Only the highest queue uses strict priority, others use weighted-fair queuing scheme
				10	The highest two queues use strict priority, other two queues use weighted-fair queuing scheme.
11	All queues use weighted-fair queuing scheme which is defined by WRR_PRI3/2/1/0.				
28:24	WRR_PRI3	RW	0x8	Weighted round-robin (WRR) setting for priority 3	
23:21	RES	RW	0x0	Reserved. Must be written with zero. Contains zeros when read.	
20:16	WRR_PRI2	RW	0x4	WRR setting for priority 2	
15:13	RES	RW	0x0	Reserved. Must be written with zero. Contains zeros when read.	
12:8	WRR_PRI1	RW	0x2	WRR setting for priority 1	
7:5	RES	RW	0x0	Reserved. Must be written with zero. Contains zeros when read.	
4:0	WRR_PRI0	RW	0x1	WRR setting for priority 0	

## 8.28 PHY Control Registers

Table 8-31 summarizes the PHY Control registers.

Table 8-33. PHY Register Summary

Offset	Description	Page
0	Control	page 441
1	Status	page 442
2	PHY Identifier	page 442
3	PHY Identifier 2	page 442
4	Auto-Negotiation Advertisement	page 443
5	Link Partner Ability	page 444
6	Auto-negotiation Expansion	page 443
16	PHY-Specific Control	page 446
17	PHY-Specific Status	page 446
18	Interrupt Enable	page 447
19	Interrupt Status	page 448
20	Extended PHY-specific	page 449
21	Receive Error Counter	page 449
22	Virtual Cable Tester Control	page 449
28	Virtual Cable Tester Status	page 449
29	Debug Port 1 (Address Offset)	page 450
30	Debug Port 2 (Data Port)	page 450



## 8.28.1 Control

Address Offset: 0x00

Access: See field description

Reset: 0x0

Bit	Bit Name	Access	Description	
15	RESET	RW/ SC	PHY Software Reset. Writing a 1 to this bit causes the PHY the reset operation is done, this bit is cleared to 0 automatically. The reset occurs immediately.	
			0	Normal operation
			1	PHY reset
14	LOOPBACK	RW	When loopback is activated, the transmitter data presented on TXD is looped back to RXD internally. Link is broken when loopback is enabled.	
			0	Disable Loopback
			1	Enable Loopback
13	SPEED_ SELECTION	RW	Used to select the speed mode	
			00	10 Mbps
			01	100 Mbps
			11:10	Reserved
12	AUTO_ NEGOTIATION	RW	Enables/disables the auto-negotiation process	
			0	Disable Auto-Negotiation Process
			1	Enable Auto-Negotiation Process
11	POWER_DOWN	RW	When the port is switched from power down to normal operation, software reset and restart Auto-Negotiation are performed even when bits Reset (0.15) and Restart Auto-Negotiation (0.9) are not set by the user.	
			0	Normal operation
			1	Power down
10	ISOLATE	RW	The GMII/MII output pins are tri-stated when this bit is set to 1. The GMII/MII inputs are ignored.	
			0	Normal operation
			1	Isolate
9	RESTART_AUTO_ NEGOTIATION	RW/ SC	Auto-Negotiation automatically restarts after hardware or software reset regardless of whether or not the restart bit (0.9) is set.	
			0	Normal operation
			1	Restart Auto-Negotiation Process
8	DUPLEX_MODE	RW/ SC	Selects the flow control mode	
			0	Half Duplex
			1	Full Duplex
7	COLLISION_ TEST	RW	Setting this bit to 1 will cause the COL pin to assert whenever the TX_EN pin is asserted.	
			0	Disable COL signal test
			1	Enable COL signal test
6	SPEED_ SELECTION (MSB)	RW	Used to select the speed mode	
			00	10 Mbps
			01	100 Mbps
5:0	RES	RO	11:10	Reserved

### 8.28.2 Status

Address Offset: 0x01

Access: See field description

Reset: See field description

Bit	Bit Name	Access	Reset	Description	
15	100BASE_T4	RO	0x0	100BASE-T4. This protocol is not available. 0 = PHY not able to perform 100BASE-T4	
14	100BASE_TX	RO	0x1	Capable of 100-Tx Full Duplex operation	
13	10MBPS_FULL_DUPLEX	RO	0x1	Capable of 100-Tx Full Duplex operation	
12	10MBPS_FULL_DUPLEX	RO	0x1	Capable of 100-Tx Full Duplex operation	
11	100BASE_T2_HALF_DUPLEX	RO	0x1	Capable of 100-Tx Full Duplex operation	
10	100BASE_T2_FULL_DUPLEX	RO	0x0	Not able to perform 100BASE-T2	
9	100BASE-T2_HALF_DUPLEX	RO	0x0	Not able to perform 100BASE-T2	
8:7	RES	RO	0x0	Always 0	
6	MF_PREAMBLE_SUPPRESSION	RO	0x1	PHY accepts management frames with preamble suppressed	
5	AUTO-NEGOTIATION_COMPLETE	RO	0x0	Denotes the current status of the auto-negotiation process	
				0	Auto-negotiation process not complete
				1	Auto-negotiation process complete
4	REMOTE_FAULT	RO/LH	0x0	Denotes if a fault was detected	
				0	Remote fault condition not detected
				1	Remote fault condition detected
3	AUTO-NEGOTIATION_ABILITY	RO	0x1	Denotes the ability of the PHY to perform auto-negotiation	
				0	PHY unable to perform auto-negotiation
				1	PHY able to perform auto-negotiation
2	LINK_STATUS	RO/LL	0x0	This register bit indicates whether the link was lost since the last read. For the current link status, read register bits [17:10] of link real time.	
1	JABBER_DETECT	RO/LH	0x0	Denotes if a Jabber condition was detected	
0	EXTENDED_CAPABILITY	RO	0x1	Denotes the availability of the register capabilities	

### 8.28.3 PHY Identifier

Address Offset: 0x02

Access: Read-Only

Reset: 0x004D

Bit	Bit Name	Description
15:0	Organizationally Unique Identifier Bit 3:18	Organizationally Unique Identifier bits [18:3]

### 8.28.4 PHY Identifier 2

Address Offset: 0x03

Access: Read-Only

Reset: 0xD041

Bit	Bit Name	Description
15	OUI LSB Model Number Revision Number	Organizationally Unique Identifier bits [24:19]

### 8.28.5 Auto-Negotiation Advertisement

Address Offset: 0x04

Access: See field description

Reset: 0x0

Bit	Bit Name	Access	Reset	Description
15	RES	RW	0x0	Always 0
14	ACK	RO	0x0	Must be 0
13	REMOTE_FAULT	RW	0x0	Used to set the remote fault bit
12	RES	RO	0x0	Always 0
11	ASYMMETRIC_PAUSE	RW	0x1	The value of this bit will be updated immediately after writing to this register. But the value written to this bit does not takes effect until any one of the following occurs: <ul style="list-style-type: none"> <li>■ Software reset is asserted (bit [15])</li> <li>■ Restart auto-negotiation is asserted (bit [9])</li> <li>■ Power down (register bit [11]) transitions from power down to normal operation</li> <li>■ Link goes down</li> </ul>
10	PAUSE	RW	0x1	The value of this bit will be updated immediately after writing to this register. But the value written to this bit does not takes effect until any one of the following occurs: <ul style="list-style-type: none"> <li>■ Software reset is asserted (bit [15])</li> <li>■ Restart Auto-Negotiation is asserted (bit [9])</li> <li>■ Power down (register bit [11]) transitions from power down to normal operation</li> <li>■ Link goes down</li> </ul>
9	100BASE-T4	RO	0x0	Not able to perform 100BASE-T4
8	100BASE-TX	RW	0x1	The value of this bit will be updated immediately after writing to this register. But the value written to this bit does not takes effect until any one of the following occurs: <ul style="list-style-type: none"> <li>■ Software reset is asserted (bit [15])</li> <li>■ Restart Auto-Negotiation is asserted (bit [9])</li> <li>■ Power down (register bit [11]) transitions from power down to normal operation</li> <li>■ Link goes down</li> </ul>
7	100BASE_TX_HALF_DUPLEX	RW	0x1	The value of this bit will be updated immediately after writing to this register. But the value written to this bit does not takes effect until any one of the following occurs: <ul style="list-style-type: none"> <li>■ Software reset is asserted (bit [15])</li> <li>■ Restart Auto-Negotiation is asserted (bit [9])</li> <li>■ Power down (register bit [11]) transitions from power down to normal operation</li> <li>■ Link goes down</li> </ul>
6	10BASE_TX_FULL_DUPLEX	RW	0x1	The value of this bit will be updated immediately after writing to this register. But the value written to this bit does not takes effect until any one of the following occurs: <ul style="list-style-type: none"> <li>■ Software reset is asserted (bit [15])</li> <li>■ Restart Auto-Negotiation is asserted (bit [9])</li> <li>■ Power down (register bit [11]) transitions from power down to normal operation</li> <li>■ Link goes down</li> </ul>
5	10BASE_TX_HALF_DUPLEX	RW	0x1	The value of this bit will be updated immediately after writing this register. But the value written to this bit does not takes effect until any one of the following occurs: <ul style="list-style-type: none"> <li>■ Software reset is asserted (bit [15])</li> <li>■ Restart Auto-Negotiation is asserted (bit [9])</li> <li>■ Power down (register bit [11]) transitions from power down to normal operation</li> <li>■ Link goes down</li> </ul>
4:0	SELECTOR_FIELD	RO	0x00001	Selector field mode: 00001 = 802.3

**8.28.6 Link Partner Ability**

Address Offset: 0x05

Access: Read-Only

Reset: 0x0

Bit	Bit Name	Description
15	RES	Always 0
14	ACK	Acknowledge Received code word bit [14]
		0   Link partner does not have Next Page ability
		1   Link partner received link code word
13	REMOTE_ FAULT	Remote fault Received code word bit [13]
		0   Link partner has not detected remote fault
		1   Link partner detected remote fault
12	TECHNOLOGY_ ABILITY	Technology ability field Received code word bit [12]
11	ASYMMETRIC_ PAUSE	Technology ability field Received code word bit [11]
		0   Link partner does not request asymmetric pause
		1   Link partner requests asymmetric pause
10	PAUSE	Technology ability field Received code word bit [10]
		0   Link partner is not capable of pause operation
		1   Link partner is capable of pause operation
9	100BASE_T4	Technology ability field Received code word bit [9]
		0   Link partner is not 100BASE-T4 capable
		1   Link partner is 100BASE-T4 capable
8	100BASE_ TX_ FULL_ DUPLEX	Technology ability field Received code word bit [8]
		0   Link partner is not 100BASE-TX full-duplex capable
		1   Link partner is 100BASE-TX full-duplex capable
7	100BASE_ TX_ HALF_ DUPLEX	Technology ability field Received code word bit [7]
		0   Link partner is not 100BASE-TX half-duplex capable
		1   Link partner is 100BASE-TX half-duplex capable
6	10BASE_ TX_ FULL_ DUPLEX	Technology ability field Received code word bit [6]
		0   Link partner is not 10BASE-T full-duplex capable
		1   Link partner is 10BASE-T full-duplex capable
5	10BASE_ TX_ HALF_ DUPLEX	Technology ability field Received code word bit [5]
		0   Link partner is not 10BASE-T half-duplex capable
		1   Link partner is 10BASE-T half-duplex capable
4:0	SELECTOR_ FIELD	Selector field Received code word bit [4:0]

### 8.28.7 Auto-negotiation Expansion

Address Offset: 0x06

Access: See field description

Reset: 0x0

Bit	Bit Name	Access	Description	
15:5	RES	RO	Reserved. Must be 0.	
4	PARALLEL_DETECTION_FAULT	RO/LH	Used to denote the parallel detection fault	
			0	No fault has been detected
			1	A fault has been detect
3:1	RES	RO	Always 0	
0	LINK_PARTNER_AUTO_NEGOTIATION_ABLE	RO	Used to denote the auto negotional capability of the link partner	
			0	Link partner is not auto negotiation capable
			1	Link partner is auto negotiation capable

### 8.28.8 Function Control

Address Offset: 0x10

Access: See field description

Reset: See field description

Bit	Bit Name	Access	Reset	Description	
15:12	RES	RO	0x0	Always 0	
11	ASSERT_CRIS_ON_TRANSIT	RW	0x0	Always 0	
10	RES	RO	0x0	Always 0	
9:8	ENERGY_DETECT	RW	0x0	Used to set the energy detection mechanism	
				00	Off
				10	Sense only on receive (energy detect)
				11	Sense and periodically transmit NLP
6:5	MDI_CROSSOVER_MODE	RW	11	Changes to these bits are disruptive to the normal operation; therefore any changes to these registers must be followed by a software reset to take effect.	
				00	Manual MDI configuration
				01	Manual MDIX configuration
				10	Reserved
				11	Enable automatic crossover for all modes
4:3	RES	RO	0x0	Always 0	
2	SQE_TEST	RW	0x0	SQE test is automatically disabled in full-duplex mode	
				0	SQE test disabled
				1	SQE test enabled
1	POLARITY_REVERSAL	RW	0x0	If polarity is disabled, then the polarity is forced to be normal in 10BASE-T.	
				0	Polarity Reversal Enabled
				1	Polarity Reversal Disabled
0	DISABLE_JABBER	RW	0x0	Jabber has effect only in 10BASE-T half-duplex mode.	
				0	Enable jabber function
				1	Disable jabber function

## 8.28.9 PHY Specific Status

Address Offset: 0x11

Access: Read-Only

Reset: 0x0

Bit	Bit Name	Description
15:14	SPEED	These status bits are valid when auto-negotiation is completed or auto-negotiation is disabled.
		00   10 Mbps
		01   100 Mbps
		10   Reserved
		11   Reserved
13	DUPLEX	This status bit is valid only if auto-negotiation is completed or auto-negotiation is disabled.
		0   Half-duplex
		1   Full-duplex
12	PAGE_RECEIVED (Real Time)	Denotes if a page was received in real time or not
		0   Page not received
		1   Page received
11	SPEED_AND_ DUPLEX_ RESOLVED	When auto-negotiation is not enabled for force speed mode.
		0   Not resolved
		1   Resolved
10	LINK (Real Time)	Denotes the link status in real time
		0   Link down
		1   Link up
9:7	RES	Always 0
6	MDI_ CROSSOVER_ STATUS	This status bit is valid only when auto-negotiation is completed or auto-negotiation is disabled.
		0   MDI
		1   MDIX
5	WIRESPEED_ DOWNGRADE	Used to denote if a wirespeed downgrade was performed
		0   No Downgrade
		1   Downgrade
4	ENERGY_ DETECT_STATUS	Denotes the status of the Energy Detect mechanism
		0   Active
		1   Sleep
3	TRANSMIT_ PAUSE_ENABLE	This is a reflection of the MAC pause resolution. This bit is for information purposes and is not used by the device. This status bit is valid only when Auto-Negotiation is completed or Auto-Negotiation is disabled.
		0   Transmit pause disabled
		1   Transmit pause enabled
2	RECEIVE_PAUSE_ ENABLE	This is a reflection of the MAC pause resolution. This bit is for information purposes and is not used by the device. This status bit is valid only when Auto-Negotiation is completed or Auto-Negotiation is disabled.
		0   Receive pause disabled
		1   Receive pause enabled
1	POLARITY (Real Time)	Denotes the status of the polarity in real time
		0   Normal
		1   Reversed
0	JABBER (Real Time)	Denotes if the Jabber is present or not
		0   No jabber
		1   Jabber

### 8.28.10 Interrupt Enable

Address Offset: 0x12

Access: Read/Write

Reset: 0x0

Bit	Bit Name	Description
15	AUTO-NEGOTIATION_ERROR_INTERRUPT_ENABLE	Auto negotiation error interrupt
		0   Interrupt disable
		1   Interrupt enable
14	SPEED_CHANGED_INTERRUPT_ENABLE	Speed change interrupt
		0   Interrupt disable
		1   Interrupt enable
13	RES	Reserved
12	PAGE_RECEIVED_INTERRUPT_ENABLE	Page received interrupt
		0   Interrupt disable
		1   Interrupt enable
11	AUTO-NEGOTIATION_COMPLETED_INTERRUPT_ENABLE	Auto negotiation completed interrupt
		0   Interrupt disable
		1   Interrupt enable
10	LINK_STATUS_CHANGED_INTERRUPT_ENABLE	Link status changed interrupt
		0   Interrupt disable
		1   Interrupt enable
9	SYMBOL_ERROR_INTERRUPT_ENABLE	Symbol error interrupt
		0   Interrupt disable
		1   Interrupt enable
8	FALSE_CARRIER_INTERRUPT_ENABLE	False carrier interrupt
		0   Interrupt disable
		1   Interrupt enable
7	FIFO_OVERFLOW/UNDERFLOW_INTERRUPT_ENABLE	FIFO overflow/underflow interrupt
		0   Interrupt disable
		1   Interrupt enable
6	MDI_CROSSOVER_CHANGED_INTERRUPT_ENABLE	MDI crossover changed interrupt
		0   Interrupt disable
		1   Interrupt enable
5	WIRESPEED_DOWNGRADE_INTERRUPT_ENABLE	Wirespeed downgrade interrupt
		0   Interrupt disable
		1   Interrupt enable
4	ENERGY_DETECT_INTERRUPT_ENABLE	Energy detection interrupt
		0   Interrupt disable
		1   Interrupt enable
3:2	RES	Always 00
1	POLARITY_CHANGED_INTERRUPT_ENABLE	Polarity changed interrupt
		0   Interrupt disable
		1   Interrupt enable
0	JABBER_INTERRUPT_ENABLE	Jabber interrupt
		0   Interrupt disable
		1   Interrupt enable

## 8.28.11 Interrupt Status

Address Offset: 0x13

Access: See field description

Reset: 0x0

Bit	Bit Name	Access	Description	
15	AUTO_ NEGOTIATION_ ERROR	RO, LH	An error is said to occur if MASTER/SLAVE does not resolve, parallel detect fault, no common HCD, or link does not come up after negotiation is completed.	
			0	No Auto-Negotiation Error
			1	Auto-Negotiation Error
14	SSPEED_ CHANGED	RO/LH	Denotes if the speed has changed or not	
			0	Speed not changed
			1	Speed changed
13	RES	RO/LH	Reserved	
12	PAGE_ RECEIVED	RO	Denotes if a page was received or not	
			0	Page not received
			1	Page received
11	AUTO_ NEGOTIATION_ COMPLETED	RO	Denotes the current completion status of the auto-negotiation	
			0	Auto-negotiation not completed
			1	Auto-negotiation completed
10	LINK_STATUS_ CHANGED	RO/LH	Denotes is the link status has changed or not	
			0	Link status not changed
			1	Link status changed
9	SYMBOL_ ERROR	RO/LH	Denotes a symbol error	
			0	No symbol error
			1	Symbol error
8	FALSE_ CARRIER	RO/LH	Denotes if there was a false carrier	
			0	No false carrier
			1	False carrier
7	FIFO_ OVERFLOW/ UNDERFLOW	RO/LH	FIFO underflow or overflow error, not always implemented, always 0.	
			0	No FIFO Error
			1	Over/Underflow Error
6	MDI_ CROSSOVER_ CHANGED	RO/LH	Denotes if there was an MDI Crossover change	
			0	Crossover not changed
			1	Crossover changed
5	WIRESPEED_ DOWNGRADE_ INTERRUPT	RO/LH	Wirespeed downgrade detection	
			0	No Wirespeed-downgrade.
			1	Wirespeed-downgrade detected
4	ENERGY_ DETECT_ CHANGED	RO/LH	Denotes the change in the Energy Detect status. Not implement, always 0.	
			0	No Energy Detect state change
			1	Energy Detect state changed
3:2	RES	RO/LH	Always 0	
1	POLARITY_ CHANGED	RO/LH	Denotes if the polarity changed or not	
			0	Polarity not changed
			1	Polarity Changed
0	JABBER	RO/LH	Denotes if there is a jabber or not	
			0	No jabber
			1	Jabber



**8.28.12 Receive Error Counter**

Address Offset: 0x15

Access: Read-Only

Reset: 0x0

Bit	Bit Name	Description
15:0	RECEIVE_ERROR_COUNT	Counter will peg at 0xFFFF and will not roll over. (When RX_DV is valid, count RX_ER numbers)

**8.28.13 Virtual Cable Tester Control**

Address Offset: 0x16

Access: Read/Write

Reset: 0x0

Bit	Bit Name	Description
15:10	RES	Reserved
9:8	MDI_PAIR_SELECT	Virtual Cable Tester™ Control registers. Use the Virtual Cable Tester Control Registers to select which MDI pair is shown in the Virtual Cable Tester Status register.
		00   MDI[0] pair
		01   MDI[1] pair
		10   MDI[3] pair
	11   MDI[4] pair	
7:1	RES	Always 0
0	ENABLE_TEST	When set, hardware automatically disable this bit when VCT is done.
		0   Disable VCT Test
		1   Enable VCT Test

**8.28.14 Virtual Cable Tester Status**

Address Offset: 0x1C

Access: See field description

Reset: 0x0

Bit	Bit Name	Access	Description
15:10	RES	RO	Reserved.
9:8	STATUS	RO	The content of the Virtual Cable Tester Status Registers applies to the cable pair selected in the Virtual Cable Tester™ Control Registers.
			00   Valid test, normal cable (no short or open in cable)
			01   Valid test, short in cable for MDI pair 0/2. Open in cable for MDI pair 1/3
			10   Valid test, open in cable for MDI pair 0/2. Short in cable for MDI pair 1/3
	11   linkup state, no open or short in cable.		
7:0	DELTA_TIME	RW	Delta time to indicate distance. Length = Delta_Time * 0.824

**8.28.15 Debug Port (Address Offset)**

Address Offset: 0x1D

Access: Read/Write

Reset: 0x0

Bit	Bit Name	Description
15:6	RES	
5:0	ADDRESS_OFFSET	The address index of the register will be write or read.

**8.28.16 Debug Port 2 (RW Port)**

Address Offset: 0x1E

Access: Read/Write

Reset: 0x0

Bit	Bit Name	Description
15:0	DEBUG_DATA_PORT	The data port of debug register. Before accessing this register, the address offset must be first set.

**8.28.17 Debug Register: Analog Test Control**

Address Offset: 0x00

Access: Read/Write

Reset: 0x0

Bit	Bit Name	Description	
15	RXCLK_DELAY	Control bit for RGMII interface RX clock delay:	
		0	Enable RGMII Rx clock delay
		1	Disable RGMII Rx clock delay
14:5	RES	Reserved	
4	10_CLASSA	This bit is 10BT Class AB, class A select bit	
		0	10BT in Class AB mode
		1	10BT in Class A mode
3:0	RES	Reserved	

**8.28.18 Debug Register: System Mode Control**

Address Offset: 0x05

Access: Read/Write

Reset: See field description

Bit	Bit Name	Reset	Description	
15:9	RES	0x0	Reserved	
8	GTCLK_DELAY	RW	RGMII Tx clock delay control bit	
		0	0   Disable RGMII Tx clock delay	
		Retain	1   Enable RGMII Tx clock delay	
7:2	RES	0x0	Reserved	
1	100_CLASSA	0x1	This bit is 100BT ClassA and ClassAB mode select bit.	
			0	100BT ClassAB
			1	100BT ClassA
0	RES	0x0	Reserved	

**8.28.19 Debug Register: RGMII Mode Selection**

Address Offset: 0x012

Access: Read/Write

Reset: 0x0

Bit	Bit Name	Description
15:4	RES	Reserved
3	RGMII_MODE	Used to select the RGMII mode
		0   Select GMII/MII interface with MAC.
		1   Select RGMII interface with MAC
2:0	RES	Reserved



## 9. Electrical Characteristics

### 9.1 Absolute Maximum Ratings

Table 9-1 summarizes the absolute maximum ratings and Table 9-2 lists the recommended operating conditions for the AR9344.

Absolute maximum ratings are those values beyond which damage to the device can occur. Functional operation under these conditions, or at any other condition beyond those indicated in the operational sections of this document, is not recommended.

Table 9-1. Absolute Maximum Ratings

Symbol	Parameter	Max Rating	Unit
V <sub>DD33</sub>	Supply Voltage	-0.3 to 4.0	V
V <sub>DD25</sub>	Maximum I/O Supply Voltage	-0.3 to 3.0	V
V <sub>DD12</sub>	Core Voltage	-0.3 to 1.8	V
T <sub>store</sub>	Storage Temperature	-65 to 150	°C
T <sub>j</sub>	Junction Temperature	125	°C
ESD	Electrostatic Discharge Tolerance	TBD	V

### 9.2 Recommended Operating Conditions

Table 9-2. Recommended Operating Conditions

Symbol	Parameter	Conditions	Min	Typ	Max	Unit
V <sub>DD33</sub>	Supply Voltage	±10%	2.97	3.3	3.63	V
V <sub>DD25</sub>	I/O Supply Voltage <sup>[1]</sup>	±5%	2.49	2.62	2.75	V
V <sub>DD12</sub>	Core Voltage	±5%	1.14	1.2	1.26	V
AV <sub>DD12</sub>	Analog Voltage	±5%	1.14	1.2	1.26	V
AV <sub>DD20</sub>	Voltage for Ethernet PHY <sup>[1]</sup>	—	1.9	2.0	2.15	V
V <sub>DD_DDR</sub>	DDR1 I/O Voltage <sup>[1]</sup>	±5%	2.47	2.6	2.73	V
	DDR2 I/O Voltage <sup>[1]</sup>	±5%	1.71	1.8	1.89	V
D <sub>DR_VREF</sub>	DDR1 Reference Level for SSTL Signals <sup>[2]</sup>	—	1.24	1.3	1.37	V
	DDR2 Reference Level for SSTL Signals <sup>[2]</sup>	—	0.86	0.9	0.95	V
T <sub>case</sub>	Case Temperature	—	—	—	110	°C
Ψ <sub>sjT</sub>	Thermal Parameter <sup>[3]</sup>	—	—	—	2.5	°C/W

[1]Voltage regulated internally by the AR9344

[2]Divide VDD\_DDR voltage by two externally, see reference design schematic

[3]The thermal parameter is for the 18x18 mm BGA package.

### 9.3 General DC Electrical Characteristics

Table 9-3 lists the GPIO, NAND Flash, SYS\_RST\_OUT\_L and PCIE\_RST\_IN\_L DC electrical characteristics. GPIO11, GPIO16, GPIO17 and PCIE\_RST\_IN\_L are open drain.

These conditions apply to all DC characteristics unless otherwise specified:

$$T_{\text{amb}} = 25\text{ }^{\circ}\text{C}, V_{\text{dd25}} = 2.62\text{ V}$$

Table 9-3. GPIO, NAND Flash, SYS\_RST\_OUT\_L and PCIE\_RST\_IN\_L DC Electrical Characteristics

Symbol	Parameter	Conditions	Min	Typ	Max	Unit
V <sub>IH</sub>	High Level Input Voltage	—	1.8	—	2.8	V
V <sub>IL</sub>	Low Level Input Voltage	—	-0.3	—	0.3	V
V <sub>OH</sub>	High Level Output Voltage	—	2.2	—	2.8	V
V <sub>OL</sub>	Low Level Output Voltage	—	0	—	0.4	V
I <sub>IL</sub>	Low Level Input Current	—	—	—	15	μA
I <sub>OH</sub>	High Level Output Current	—	—	—	8	mA
V <sub>IH</sub>	High Level Input Voltage (GPIO11, GPIO16, GPIO17)	—	2.4	—	3.6	V
V <sub>IL</sub>	Low Level Input Voltage (GPIO11, GPIO16, GPIO17)	—	-0.3	—	0.3	V
V <sub>OH</sub>	High Level Output Voltage (GPIO11, GPIO16, GPIO17)	—	2.4	—	3.6	V
V <sub>OL</sub>	Low Level Output Voltage (GPIO11, GPIO16, GPIO17)	—	0	—	—	V
I <sub>IL</sub>	Low Level Input Current (GPIO11, GPIO16, GPIO17)	—	—	—	7	μA
C <sub>IN</sub>	Input Capacitance	—	—	3	—	pF

Table 9-4 lists the DDR1 DC electrical characteristics:

$$T_{\text{amb}} = 25\text{ }^{\circ}\text{C}, V_{\text{DD\_DDR}} = 2.6\text{ V}$$

Table 9-4. DDR1 Interface DC Electrical Characteristics

Symbol	Parameter	Conditions	Min	Typ	Max	Unit
V <sub>IH</sub>	High Level Input Voltage	—	1.8	—	2.8	V
V <sub>IL</sub>	Low Level Input Voltage	—	-0.3	—	0.3	V
V <sub>OH</sub>	High Level Output Voltage	—	2.2	—	2.8	V
V <sub>OL</sub>	Low Level Output Voltage	—	0	—	0.4	V
I <sub>IL</sub>	Low Level Input Current	—	—	—	5	μA

Table 9-5 lists the DDR2 DC electrical characteristics:

$$T_{\text{amb}} = 25\text{ }^{\circ}\text{C}, V_{\text{DD\_DDR}} = 1.8\text{ V}$$

Table 9-5. **DDR2 Interface DC Electrical Characteristics**

Symbol	Parameter	Conditions	Min	Typ	Max	Unit
$V_{\text{IH}}$	High Level Input Voltage	—	1.2	—	2.1	V
$V_{\text{IL}}$	Low Level Input Voltage	—	-0.3	—	0.3	V
$V_{\text{OH}}$	High Level Output Voltage	—	1.6	—	2.0	V
$V_{\text{OL}}$	Low Level Output Voltage	—	0	—	0.4	V
$I_{\text{IL}}$	Low Level Input Current	—	—	—	3	$\mu\text{A}$

Table 9-6 lists the RGMII DC electrical characteristics:

$$T_{\text{amb}} = 25\text{ }^{\circ}\text{C}, V_{\text{DD}} = 2.62\text{ V}$$

Table 9-6. **RGMII Interface DC Electrical Characteristics**

Symbol	Parameter	Conditions	Min	Typ	Max	Unit
$V_{\text{IH}}$	High Level Input Voltage	—	1.8	—	2.8	V
$V_{\text{IL}}$	Low Level Input Voltage	—	-0.4	—	0.4	V
$V_{\text{OH}}$	High Level Output Voltage	—	2.2	—	2.8	V
$V_{\text{OL}}$	Low Level Output Voltage	—	0	—	0.4	V
$I_{\text{IH}}$	High Level Input Current	—	—	—	15	$\mu\text{A}$
$I_{\text{OH}}$	High Level Output Current	—	—	—	8	mA
$V_{\text{IH}}$	High Level Input Voltage (EMDC, EMDIO) <sup>[1]</sup>	—	2.4	—	3.6	V
$V_{\text{IL}}$	Low Level Input Voltage (EMDC, EMDIO)	—	-0.3	—	0.4	V
$V_{\text{OH}}$	High Level Output Voltage (EMDC, EMDIO)	—	2.4	—	3.6	V
$V_{\text{OL}}$	Low Level Output Voltage (EMDC, EMDIO)	—	0	—	—	$\mu\text{A}$
$I_{\text{IL}}$	Low Level Input Current (EMDC, EMDIO)	—	—	—	7	$\mu\text{A}$

[1]EMDC and EMDIO are open drain.

Table 9-7 lists the PCIE\_RST\_OUT\_L DC electrical characteristics. PCIE\_RST\_OUT\_L is open drain.

$$T_{\text{amb}} = 25\text{ }^{\circ}\text{C}, V_{\text{DD}} = 2.62\text{ V}$$

Table 9-7. PCIE\_RST\_OUT\_L DC Electrical Characteristics

Symbol	Parameter	Conditions	Min	Typ	Max	Unit
V <sub>IH</sub>	High Level Input Voltage	—	2.4	—	3.6	V
V <sub>IL</sub>	Low Level Input Voltage	—	-0.3	—	0.4	V
V <sub>OH</sub>	High Level Output Voltage	—	2.4	—	3.6	V
V <sub>OL</sub>	Low Level Output Voltage	—	0	—	—	V
I <sub>IL</sub>	Low Level Input Current	—	—	—	7	μA

#### 9.4 25 MHz/40 MHz Clock Characteristics

When using an external clock, the XTALI pin is grounded and the XTALO pin should be driven with a square wave clock.

AC coupling is recommended for the clock signal to the XTALO pin.

The internal circuit provides the DC bias of approximately 0.6 V. The peak to peak swing of the external clock can be between 0.6 V to 1.2 V. Larger swing and sharper edge will reduce jitter.

Table 9-8. 25 MHz/40 MHz Clock Characteristics

Symbol	Parameter	Conditions	Min	Typ	Max	Unit
V <sub>IH</sub>	Input High Voltage	—	0.9	—	1.4	V
V <sub>IL</sub>	Input Low Voltage <sup>[1]</sup>	—	-0.2	—	0.2	V
T <sub>DCycle</sub>	Duty Cycle	—	40	50	60	%
T <sub>Rise</sub>	Clock Rise Time	—	—	—	2	ns
T <sub>Fall</sub>	Clock Fall Time	—	—	—	2	ns

[1] V<sub>IL</sub> of -0.2 V is limited by the ESD protection diode. If V<sub>IL</sub> is less than -0.2 V, the ESD diode turns on and protects the chip. However, V<sub>IL</sub> can go as low as -0.7 V without damage so long as the DC current sourced by the pin is limited by an AC coupling capacitor.



### 9.5 Internal Voltage Regulators

Figure 9-1 depicts the voltages regulated by the AR9344. Refer to the reference design schematics for details.

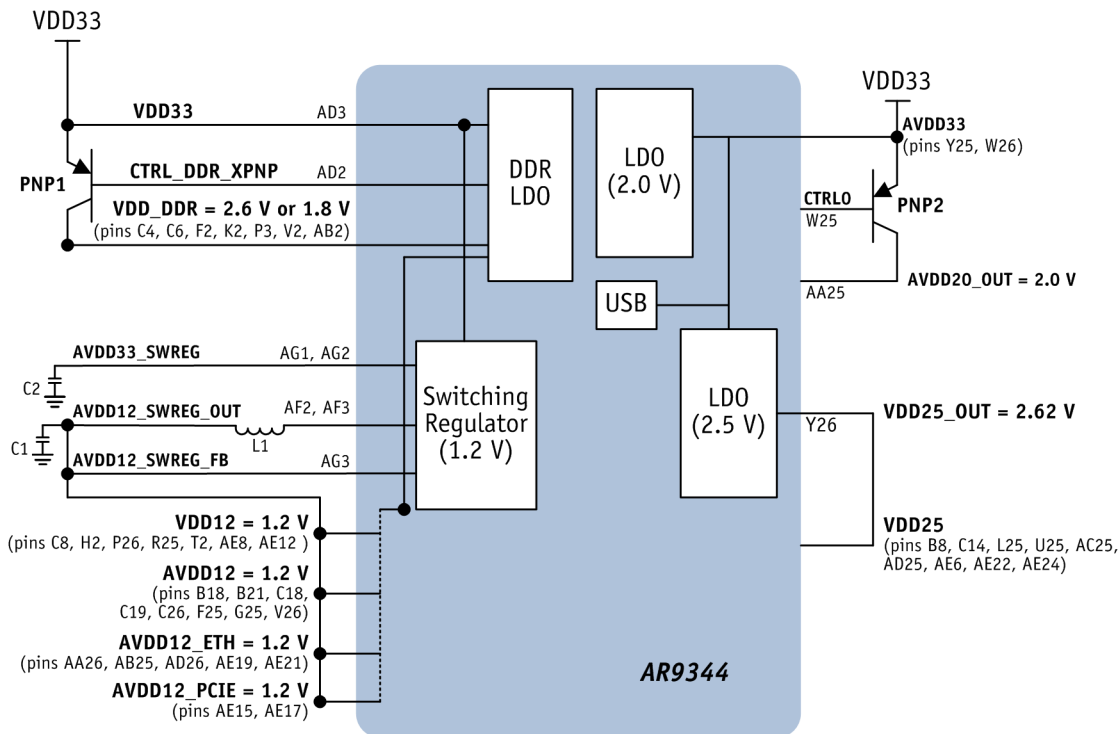


Figure 9-1. Output Voltages Regulated by the AR9344



## 10.AC Specifications

### 10.1 DDR Interface Timing

Figure 10-1 shows the DDR output timing. See Table 10-1 for timing values.

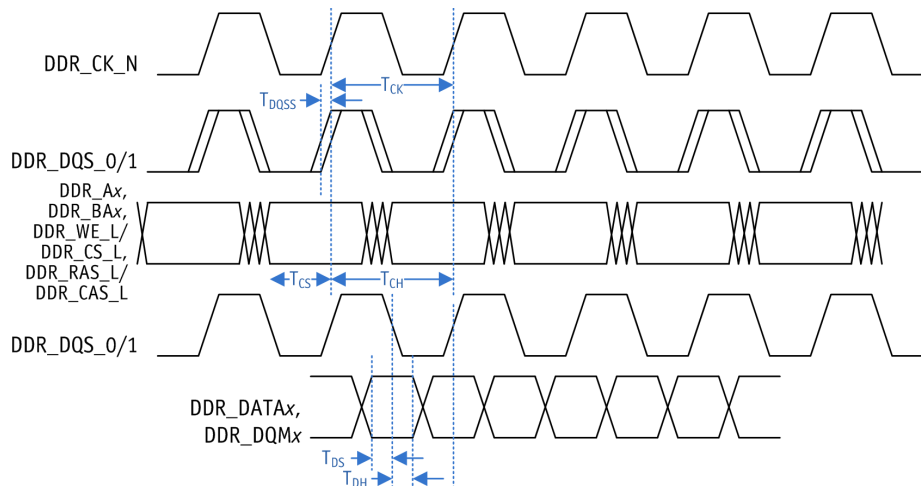


Figure 10-1. DDR Output Timing

Table 10-1. DDR Output Timing Values<sup>[1]</sup>

Parameter	Reference Signal	Min	Max	Comments
$T_{CK}$	—	—	3.75 ns	Normal period of CK_P clock output signal
$T_{CS}$	DDR_CK_P	1.0 ns	—	Control signals output setup time
$T_{CH}$	DDR_CK_P	1.0 ns	—	—
$T_{DQSS}$	DDR_CK_P	—	300 ps	Maximum skew between edge of CK_P and DQS with respect to either edge of CK_P
$T_{DS}$	DDR_DQS_0/1	0.7 ns	—	DDR data/mask signal setup time
$T_{DH}$	DDR_DQS_0/1	0.7 ns	—	DDR data/mask signal hold time

[1]These numbers assume a 200 MHz DDR\_CK\_P frequency. Control signals include all address, bank address, RAS, CAS, CS\_L, and CKE WE\_L signals. Data signals include data and data mask signals.

### 10.2 DDR Input Timing

Figure 10-2 shows the DDR input timing. See Table 10-2 for timing values.

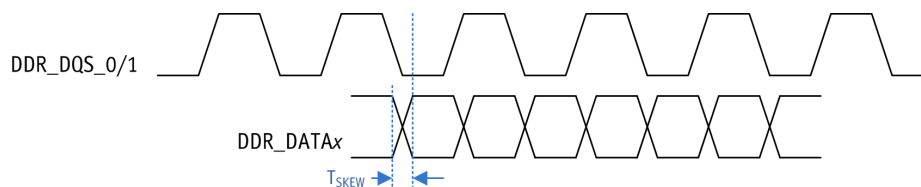


Figure 10-2. DDR Input Timing

Table 10-2. DDR Input Timing Values

Parameter	Reference Signal	Min	Max	Comments
$T_{skew}$	DDR_DQS_0, DDR_DQS_1	—	0.4 ns	Maximum skew from DQS to DQ being stable from memory

### 10.3 RGMII Output Timing

Figure 10-3 shows the RGMII output timing. See Table 10-3 for timing values.

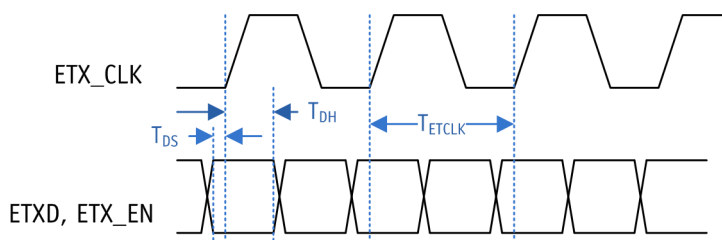


Figure 10-3. RGMII Output Timing

Table 10-3. RGMII Output Timing Values<sup>[1]</sup>

Parameter	Reference Signal	Typ	Comments	
$T_{ETCLK}$	—	8 ns	Nominal RGMII clock	
$T_{TDS}$	ETX_CLK	100 ps	Multiple options to delay the ETX_CLK signal ETH_XMII_TX_DELAY:	
			0	100 ps
			1	450 ps (min.) 1000 ps (max)
2	800 ps (min.) 1800 ps (max)			
$T_{TDH}$	ETX_CLK	3 ns	Multiple options to delay the ETX_CLK signal	

[1]The ETH\_XMII\_TX\_INVERT, and ETH\_XMII\_TX\_DELAY fields of the ETH\_XMII register allow the TX\_CLK to be delayed in steps of 0.8 ns, up to a maximum of 4 steps. An option is also available to invert the clock going out.

### 10.4 RGMII Input Timing

Figure 10-4 shows the RGMII input timing. See Table 10-3 for timing values.

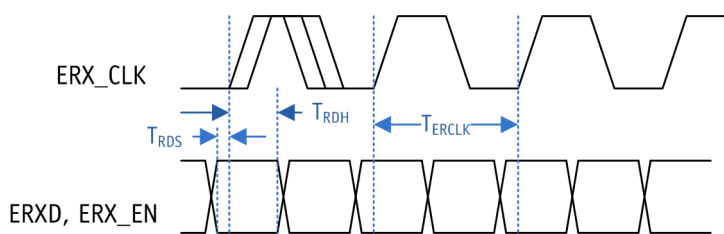


Figure 10-4. RGMII Input Timing

Table 10-4. RGMII Input Timing Values<sup>[1]</sup>

Parameter	Reference Signal	Min	Comments	
$T_{ERCLK}$	—	8 ns	Nominal RGMII clock	
$T_{RDS}$	ERX_CLK	Configurable	Multiple options to delay the ERX_CLK signal ETH_XMII_TX_DELAY:	
			0	100 ps (Reset value)
			1	400 ps (min.) 900 ps (max)
2	800 ps (min.) 1800 ps (max)			
$T_{RDH}$	ERX_CLK	Configurable	Multiple options to delay the ERX_CLK signal	

[1]The ETH\_XMII\_RX\_DELAY field allows the input clock to be postponed internally with respect to the data, ensuring that the interface works when data is aligned with clock edge or when data is middle aligned with respect to the clock.

### 10.5 MII Mode Timing

Figure 10-5 shows the MII mode timing. See Table 10-5 for timing values.

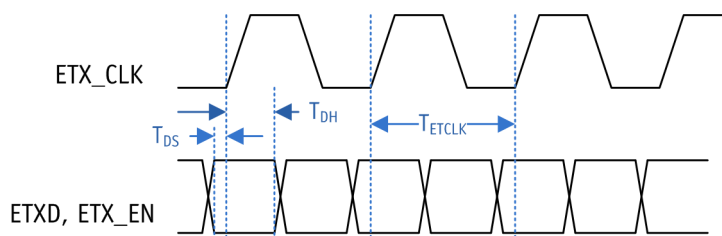


Figure 10-5. MII Mode Timing

Table 10-5. MII Mode Timing Values<sup>[1]</sup>

Parameter	Reference Signal	Min	Comments
T <sub>ETCLK</sub>	—	40 ns	Nominal MII clock
T <sub>TDS</sub>	—	Configurable	Configurable using the ETH_CFG register (ETH_TXD_DELAY and ETH_TXEN_DELAY fields); zero at reset.
T <sub>TDH</sub>	—	Configurable	

[1]The ETH\_RXD\_DELAY and ETH\_RXDV\_DELAY fields of the ETH\_CFG registers configure the delays in the input path. Upon reset, because the delays are matched between the data and clock, for edge aligned input, setup/hold is not guaranteed. Four Steps of Delay are possible. [Min, Max] delay per step is [400 ps, 900 ps].

### 10.6 SPI Timing

Figure 10-6 shows the SPI timing. See Table 10-6 for timing values.

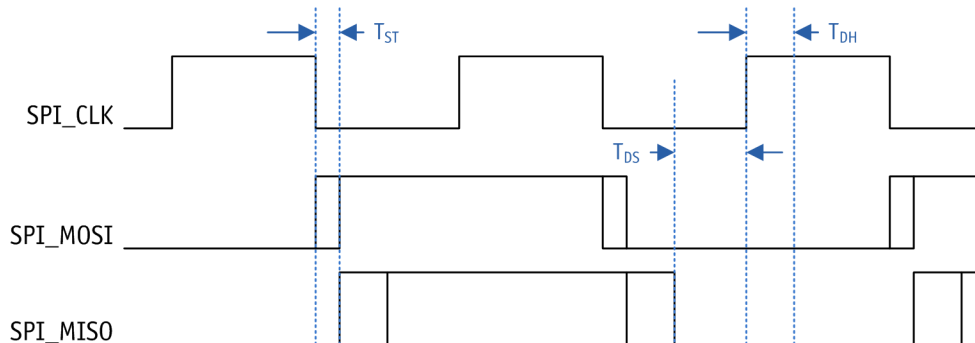


Figure 10-6. SPI Timing

Table 10-6. SPI Timing Values<sup>[1]</sup>

Parameter	Min	Max	Comments
T <sub>DS</sub>	11.0 ns	—	Minimum needed by the AR9344
T <sub>ST</sub>	—	3 ns	Maximum time by which data is available
T <sub>DH</sub>	1 ns	—	Minimum hold duration

[1]The maximum frequency that SPI can work at is ~40 MHz.

### 10.7 Reset Timing

The VDD33, VDD25 and VDD12 voltages can come up in any sequence. The last one to come up determines when the internal reset is deasserted.

- If an external VDD\_DDR supply is used, it should be stable within 100  $\mu\text{s}$  maximum with respect to the last of the three other power rails (VDD33, VDD25, and VDD12).
- If the internal regulator is used to generate VDD\_DDR, typically VDD\_DDR is available approximately 10  $\mu\text{s}$  after VDD33, VDD25 and VDD12 are stable.

Figure 10-7 shows an example of a reset timing.

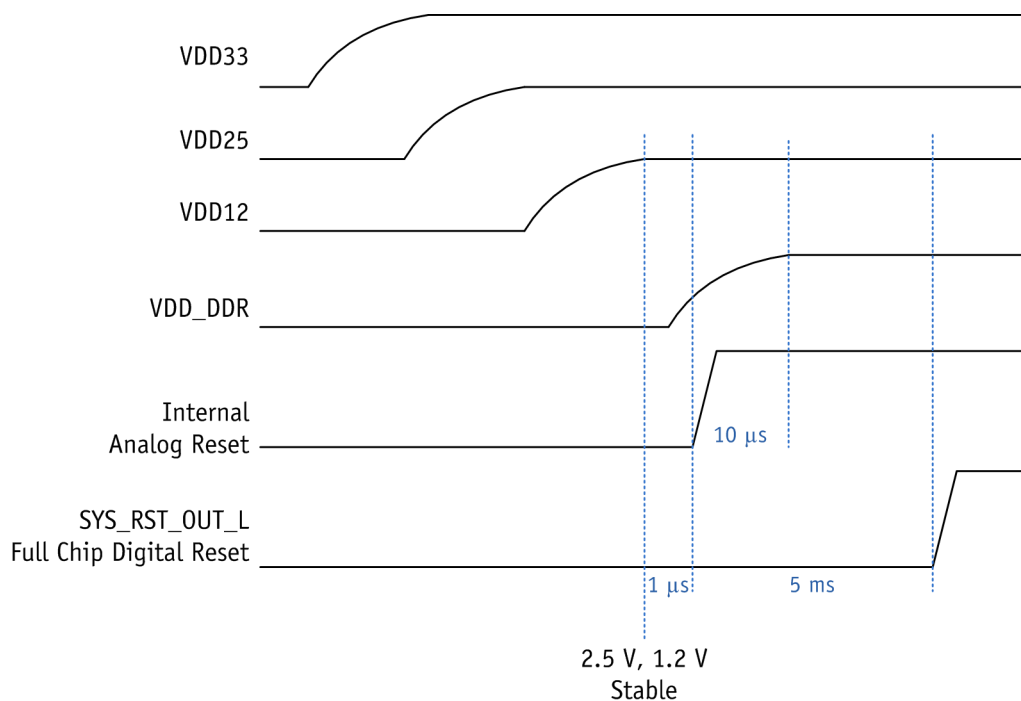


Figure 10-7. Example Reset Timing



Table 11-1. Package Dimensions

Dimension Label	Min	Nom	Max	Unit	Min	Nom	Max	Unit
A	—	—	1.20	mm	—	—	0.047	inches
A1	0.25	0.30	0.34	mm	0.010	0.012	0.014	inches
A2	0.69	0.74	0.79	mm	0.027	0.029	0.031	inches
b	0.35	0.40	0.45	mm	0.014	0.016	0.018	inches
c	0.17	0.21	0.25	mm	0.007	0.008	0.010	inches
D	17.90	18.00	18.10	mm	0.705	0.709	0.713	inches
D1	—	16.90	—	mm	—	0.665	—	inches
E	17.90	18.00	18.10	mm	0.705	0.709	0.713	inches
E1	—	16.90	—	mm	—	0.665	—	inches
e	—	0.65	—	mm	—	0.026	—	inches
aaa		0.10		mm		0.004		inches
bbb		0.10		mm		0.004		inches
ddd		0.20		mm		0.008		inches
eee		0.20		mm		0.008		inches
fff		0.08		mm		0.003		inches
MD/ME		27/27				27/27		

[1] Controlling dimension: Millimeters

[2] Primary datum C and seating plane are defined by the spherical crowns of the solder balls.

[3] Dimension b is measured at the maximum solder ball diameter, parallel to primary datum C.

[4] There shall be a minimum clearance of 0.25 mm between the edge of the solder ball and the body edge.

[5] Special characteristics C class: ccc.

[6] The pattern of pin 1 fiducial is for reference only.



## 12. Ordering Information

The order number AR9344-AC2A specifies a lead-free, halogen-free, standard-temperature version of the AR9344.

The information in this document has been carefully reviewed and is believed to be accurate. Nonetheless, this document is subject to change without notice. Atheros assumes no responsibility for any inaccuracies that may be contained in this document, and makes no commitment to update or to keep current the contained information, or to notify a person or organization of any updates. Atheros reserves the right to make changes, at any time, to improve reliability, function or design and to attempt to supply the best product possible.

Document Number: MKG-1451 Rev. 1



**ATHEROS**<sup>®</sup>

**Atheros Communications, Incorporated**

1700 Technology Drive

San Jose, CA 95110

tel: 408.773.5200

fax: 408.773.9940

[www.atheros.com](http://www.atheros.com)

*COMPANY CONFIDENTIAL  
Subject to Change without Notice*